

PARTS MANUAL

CHALLENGER

**H20.00-32.00F/FS
(E008)**

CUSTOMER EDITION

HYSTER

SECTIONS

1	FRAME
2	ENGINES
3	FUEL SYSTEM
4	ELECTRICAL SYSTEM
5	TRANSMISSION
6	DRIVE AXLE
7	STEERING SYSTEM
8	BRAKE SYSTEM
9	HYDRAULIC SYSTEM
10	MAST-TWO STAGE VISTA
11	ATTACHMENTS
12	OPTIONS
13	NUMERICAL INDEX

TABLE OF CONTENTS

DESCRIPTION	PAGE
A	
ACCESSORY DRIVE BELT AND TENSIONER	
TIER I ENGINE	4-172
TIER II ENGINE	4-174
ACCUMULATOR	9-32
PISTON TYPE	9-35
ACCUMULATOR CHARGE VALVE	
ATTACHING PARTS	
⇒S/N E008E01984B.....	9-114
⇒S/N E008E-01541	9-26
S/N E008E-01542⇔S/N E008E-01550	9-28
S/N E008E-01551⇒	9-30
AIR COMPRESSOR PLUGS	
TIER II ENGINE	
S/N E008E01985B⇒.....	2-152
AIR FUEL CONTROL PLUMBING	
TIER I ENGINE.....	3-36
AIR INLET	
TIER I ENGINE.....	3-38
TIER II ENGINE.....	3-40
AIR INTAKE CONNECTION	
TIER I ENGINE.....	2-78
TIER II ENGINE.....	2-80
AIR INTAKE HEATER	
TIER I ENGINE.....	2-88
AIR INTAKE HEATER CONNECTION	
TIER II ENGINE	
S/N E008E09185B⇒.....	2-146
AIR TRANSFER CONNECTION	
TIER II ENGINE	
S/N E008E01985B⇒.....	2-144
ALTERNATOR	
⇒S/N E008E-1678	4-166
S/N E008E01886Z⇒ S/N PENDING PER ECN 68204-25.....	4-170
S/N E008E1679⇔S/N E008E01885Z	4-168
ALTERNATOR MOUNT	
TIER I ENGINE.....	4-176
TIER II ENGINE.....	4-178
ANTI-SLIPPING DEVICE	
S/N E008E1789⇔S/N E008E01984B	9-144
ANTI-SLIPPING DEVICE AND LIFT INTERRUPT	
S/N E008E1811⇔S/N E008E01984B	9-146
ATTACHING PARTS	
SHUT-OFF COCK AND SHUTTLE VALVE	
S/N E008D1589⇔S/N E008E01984B, S/N E008E1657⇔S/N E008E01984B.....	9-136
ATTACHMENT	
LABELS	11-30
ATTACHMENT CONTROL VALVE	
⇒S/N E008D1602, ⇒S/N E008E1753	9-74
AUXILIARY COOLANT PUMP	
OPTIONAL.....	5-52
AXLE HOUSING AND ATTACHING PARTS	

<https://www.ebooklibonline.com>

Hello dear friend!

Thank you very much for reading.

Enter the link into your browser.

The full manual is available for immediate download.

<https://www.ebooklibonline.com>

TABLE OF CONTENTS (Continued)

DESCRIPTION	PAGE
A (continued)	
H20.00-25.00F (H440FS-H550FS, H550F) WET BRAKE S/N E008E01985B⇒	6-36
H28.00-32.00F (H620-700F/FS) WET BRAKE S/N E008E01985B⇒	6-38
B	
BLOCK VENT PLUMBING TIER I ENGINE	2-68
BRAKE FOUR PISTON H28.00-32.00F (H620-700F/FS) S/N E008E1533⇒	8-6
H20.00-25.00F (H440FS-550F/FS)	8-2
SIX PISTON H28.00-32.00F (H620-700F/FS) ⇒S/N E008E1532	8-4
BRAKE ASSEMBLY WET BRAKE H20.00-25.00F (H440FS-550F/FS) S/N E008E01985B⇒	6-46
H28.00-32.00F (H620-700F/FS) S/N E008E01985B⇒	6-48
BRAKE LINES DECLUTCH AND SERVICE BRAKE S/N E008E01866⇒	8-12
H20.00-32.00F (H440FS-700FS) S/N E008E01866⇒	8-18
TREADLE VALVE AND PARK BRAKE VALVE ⇒S/N E008E01865	8-8
WET BRAKE H28.00-32.00F S/N E008E02017B⇒	8-26
S/N E008E01984B⇔S/N E008E02016B	8-22
WITH SHUTTLE VALVE H20.00-32.00F (H440-700F/FS) S/N E008D1501⇔S/N E008D1526	8-34
H20.00-32.00F (H550-700F) S/N E008D1618⇔S/N E008D01865, S/N E008E01666⇔S/N E008E01865	8-38
WITHOUT SHUTTLE VALVE H20.00-32.00F AND 440FS-700FS S/N E008D1527⇒, S/N E008E1501⇔S/N E008E1514	8-14
H20.00-32.00FS (H440-700FS) S/N E008D01618⇔S/N E008D01865, S/N E008E1666⇔S/N E008E01865	8-30
BUMPERS EXTENDABLE ATTACHMENT S/N E008E1811⇒	11-72

TABLE OF CONTENTS (Continued)

DESCRIPTION	PAGE
C	
CABIN HEATER PLUMBING	
TIER II ENGINE	
S/N E008E01985B⇒.....	2-148
CAMSHAFT AND TIMING GEAR	
TIER II ENGINE	
S/N E008E01985B⇒.....	2-136
CARRIAGE	
TWO STAGE VISTA.....	10-26
CHARGE PUMP.....	5-26
CLUTCH	
FORWARD AND SECOND.....	5-18
LOW GEAR	
⇒S/N E008E01910Z.....	5-14
S/N E008E01911Z⇒.....	5-16
REVERSE AND THIRD.....	5-22
CONTAINER HANDLING ATTACHMENT INSTALLATION	
DEDICATED CARRIAGE.....	12-24
⇒S/N E008E1811.....	9-148
CONTROL	
LIFT AND TILT	
H28.00-32.00F	
S/N E008E01985B⇒.....	9-44
⇒S/N E008E01984B.....	9-40
CONTROL VALVE	
⇒S/N E008D1588, ⇒S/N E008E1656.....	9-54
S/N E008D1589⇒, S/N E008E1657⇒.....	9-58
S/N E008D1603↔S/N E008E01984B, S/N E008E1754↔S/N E008E01984B.....	9-78
⇒S/N E008E01910Z.....	5-32
S/N E008E01911Z⇒.....	5-34
CONTROL VALVE AND ATTACHING PARTS	
S/N E008E01985B⇒.....	9-50
CONTROL VALVE ATTACHING PARTS	
ATTACHMENT CONTROL VALVE AND PRESSURE SWITCH	
⇒S/N E008E1810.....	9-116
ONE FUNCTION	
⇒S/N E008D1588, ⇒S/N E008E1656.....	9-128
S/N E008D1589↔S/N E008E01984B, S/N E008E1657↔S/N E008E01984B.....	9-132
TWO FUNCTION	
⇒S/N E008D1588, ⇒S/N E008E1656.....	9-120
S/N E008D1589↔S/N E008D01984B, S/N E008E1657↔S/N E008E01984B.....	9-124
WITH ANTI-SLIPPING DEVICE AND LIFT INTERRUPT	
S/N E008E1811↔S/N E008E01984B.....	9-138
CONVERTER HOUSING.....	5-6
COOLANT HEATER STARTING AID PLUGS	
TIER II ENGINE	
S/N E008E01985B⇒.....	2-153
COOLING	
⇒S/N E008D1602, ⇒S/N E008E1697.....	2-100
TIER I ENGINE	
S/N E008E1603⇒, S/N E008E1698⇒.....	2-102
TIER II ENGINE.....	2-104

TABLE OF CONTENTS (Continued)

DESCRIPTION	PAGE
C (continued)	
CORROSION RESISTER	
TIER I ENGINE	2-82
TIER II ENGINE	
S/N E008E01985B⇒	2-86
CORROSION RESISTOR	
TIER II ENGINE	
⇒S/N E008E01984B	2-84
COUNTERWEIGHT	1-46
CRANKCASE BREATHER	
TIER I ENGINE	2-10
TIER II ENGINE	2-12
CRANKSHAFT	
TIER II ENGINE	
S/N E00E01985B⇒	2-128
CRANKSHAFT MAIN BEARINGS	
TIER II ENGINE	
S/N E008E01985B⇒	2-130
CYLINDER	
EXTENDABLE ATTACHMENT	
⇒S/N E008E1810	11-44
FIXED ATTACHMENT WITHOUT SLEWING	
⇒S/N E008E1810	11-42
TWIST LOCK	
⇒S/N A660E1530	11-48
S/N A660E1531↔S/N E008E1810	11-49
S/N E008E1811⇒	11-50
CYLINDER BLOCK	
TIER II ENGINE	
S/N E008E01985B⇒	2-6
CYLINDER BLOCK COVER	
TIER I ENGINE	2-8
CYLINDER HEAD	
TIER II ENGINE	
S/N E008E01985B⇒	2-134
D	
DEDICATED CARRIAGE	12-22
DIFFERENTIAL AND CARRIER	
WITH BRAKE ASSEMBLY (SHEET 1 OF 2)	
H28.00-32.00F (H620-700F/FS)	
⇒S/N E008E1837	6-24
WITH BRAKE ASSEMBLY (SHEET 1 OF 3)	
H20.00-25.00F (H440FS-550F/FS)	6-12
WITH BRAKE ASSEMBLY (SHEET 2 OF 2)	
H28.00-32.00F (H620-700F/FS)	
⇒S/N E008E1837	6-28
WITH BRAKE ASSEMBLY (SHEET 2 OF 3)	
H20.00-25.00F (H440FS-550F/FS)	6-16
WITH BRAKE ASSEMBLY (SHEET 3 OF 3)	

TABLE OF CONTENTS (Continued)

DESCRIPTION	PAGE
D (continued)	
H20.00-25.00F (H440FS-550F/FS).....	6-20
DIFFERENTIAL CARRIER	
H28.00 - H32.00F/FS (H620F-H700F/FS)	
S/N E008E1838⇒.....	6-32
DIRECTIONAL CONTROL VALVE	
ATTACHING PARTS	
S/N E008E1811↔S/N E008E01984B.....	9-118
S/N E008E1811↔S/N E008E01984B	9-76
DRIVE AXLE	
H20.00-25.00F (H440FS-550F/FS)	
⇒S/N E008E01984B.....	6-2
H28.00 - H32.00F/FS (H620F-700F/FS)	
S/N E008E01838Y⇒.....	6-10
H28.00-32.00F (H620F-700F/FS)	
⇒S/N E008E01837Y.....	6-6
DRIVE SHAFT.....	6-54
DRIVE TRAIN	
FRONT GEAR	
TIER I ENGINE	2-74
DUST SHIELD.....	2-90
E	
ELECTRICAL	
ATTACHMENT	
SHEET 1 OF 2	
⇒S/N E008E1810	11-24
SHEET 2 OF 2	
⇒S/N E008E1810	11-27
EXTENDABLE CONTAINER ATTACHMENT	
S/N E008E1811⇒.....	11-28
FRAME (TIER I ENGINE)	
SHEET 1 OF 2	4-6
SHEET 2 OF 2	4-10
FRAME (TIER II ENGINE)	
SHEET 1 OF 4	4-12
SHEET 2 OF 4	4-16
SHEET 3 OF 4	4-18
SHEET 4 OF 4	4-22
SIDE-SHIFT CARRIAGE	12-16
STANDARD CARRIAGE	
TWO STAGE VISTA	10-30
ELECTRONIC FOOT PEDAL MOUNT	
TIER II ENGINE.....	3-46
ENGINE ASSEMBLY.....	2-5
ENGINE CONTROL SYSTEM	
TIER II ENGINE	
S/N E008E01985B⇒.....	4-210
ENGINE MOUNT.....	2-108
EXHAUST.....	2-96

TABLE OF CONTENTS (Continued)

DESCRIPTION	PAGE
E (continued)	
EXHAUST CONNECTION	
TURBOCHARGER	
TIER I ENGINE	2-26
TIER II ENGINE	2-28
EXHAUST MANIFOLD	
TIER I ENGINE	2-30
TIER II ENGINE	2-32
EXTENDABLE ATTACHMENT	
⇒S/N E008E1810.....	11-8
WITH DEDICATED CARRIAGE.....	11-12
EXTENSION CYLINDER ASSEMBLY	
S/N E008E1811⇒.....	11-46
F	
FAN DRIVE	
TIER II ENGINE	2-58
FAN PULLEY	
TIER I ENGINE	2-56
FAN SPACER	2-60
FIRE EXTINGUISHER	12-34
FIXED ATTACHMENT	
DEDICATED CARRIAGE.....	11-6
⇒S/N E008E1810.....	11-4
FLOOR PLATES AND COVERS	
H20.00-32.00F, H550-700F	1-38
H20.00-32.00FS, H440-700FS	1-42
FLOW AMPLIFIER	7-16
ATTACHING PARTS	
⇒S/N E008E01984B.....	9-140
FLOW VALVE	
EXTENDABLE ATTACHMENT	
⇒S/N E008E1810	11-60
FLYWHEEL	
TIER I ENGINE	2-40
TIER II ENGINE	2-42
FLYWHEEL HOUSING	
TIER II ENGINE	
S/N E008E01985B⇒.....	2-150
FORK POSITIONER	
SIDE-SHIFT CARRIAGE	12-30
STANDARD CARRIAGE	
TWO STAGE VISTA	10-32
FORKS	12-33
FRONT ENGINE SUPPORT	
TIER I ENGINE	2-34
TIER II ENGINE	2-36
FRONT GEAR COVER	
TIER II ENGINE	
S/N E008E01985B⇒.....	2-142

TABLE OF CONTENTS (Continued)

DESCRIPTION	PAGE
F (continued)	
FRONT GEAR TRAIN ACCESSORY DRIVE	
TIER II ENGINE	
S/N E008E01985B⇒.....	2-124
FUEL DRAIN	
TIER I ENGINE.....	3-16
FUEL FILTER	
TIER II ENGINE	
⇒S/N E008E01984B.....	3-20
S/N E008E01985B⇒.....	3-22
FUEL FILTER ASSEMBLY	
TIER I ENGINE.....	3-18
FUEL FILTER PLUMBING	
TIER II ENGINE.....	3-24
FUEL INJECTOR AND INJECTOR PLUMBING	
TIER II ENGINE	
S/N E008E01985B⇒.....	3-30
FUEL INJECTOR PUMP MOUNTING	
TIER II ENGINE	
S/N E008E01985B⇒.....	3-34
FUEL INLET	
TIER I ENGINE.....	3-26
FUEL INLET TUBE	
TIER I ENGINE.....	3-28
FUEL PLUMBING	
TIER II ENGINE	
S/N E008E01985B⇒.....	3-32
FUEL SYSTEM	
⇒S/N E008D1602, ⇒S/N E008E1697.....	3-2
S/N E008D1603↔S/N E008E01984B, S/N E008E1698↔S/N E008E01984B.....	3-4
S/N E008E01985B⇒.....	3-8
FUEL TRANSFER PUMP	
TIER I ENGINE.....	3-12
TIER II ENGINE.....	3-14
FUSE PANEL AND RELAYS	
TIER II ENGINE	
S/N E008E01886Z↔S/N E008E01984B.....	4-80
S/N E008E01985B⇒ INC. 1979.....	4-84
G	
GEAR HOUSING	
TIER II ENGINE.....	2-38
GEAR TRAIN ACCESSORY PLUMBING	
FRONT	
TIER II ENGINE.....	2-76
GENERAL TRUCK.....	1-2

TABLE OF CONTENTS (Continued)

DESCRIPTION	PAGE
H	
HAND PUMP	
OPERATOR COMPARTMENT	
⇒S/N E008E1592	1-16
S/N E008E1593⇒	1-18
HEADER HOSE	12-8
HEATER	1-32
HEATER CONTROL	1-35
HOOD	
H20.00-32.00FS, H440-700FS	1-66
HOOD AND LINKAGE	
H20.00-32.00F, H550-700F	
TIER I ENGINE	1-58
HOOD LINKAGE	
H20.00-32.00F, H550-700F	
TIER II ENGINE	1-62
HUB	
EXTENDABLE ATTACHMENT	
⇒S/N E008E1810	11-55
HUB AND SHAFT ASSEMBLY	
WET BRAKE	
H20.00-25.00F (H440FS-550F/FS)	
S/N E008E01985B⇒	6-40
H28.00-32.00F (H620-700F/FS)	
S/N E008E01985B⇒	6-42
HYDRAULIC	
EXTENDABLE ATTACHMENT WITH DEDICATED CARRIAGE	
S/N E008E1811⇒	11-18
EXTENDABLE ATTACHMENT WITH SIDE-SHIFT CARRIAGE	
⇒S/N E008E1810	11-14
FIXED ATTACHMENT	
⇒S/N E008E1810	11-20
PRESSURE CHECK LINE	
⇒S/N E008E01984B	9-90
SIDE-SHIFT CARRIAGE	12-18
HYDRAULIC PUMP	
DUAL	
EMPTY CONTAINER HANDLER	
⇒S/N E008E-01906Z	9-82
FORKLIFT TRUCK	
⇒S/N E008E01984B	9-86
S/N E008E-1907Z⇒	9-84
HYDRAULIC STOP	
S/N E008E1811⇒	11-64
HYDRAULIC SUPPLY AND RETURN	
H28.00-32.00F	
SHEET 1 OF 2	
S/N E008E01985B⇒	9-12
H28.00-H32.00F	
SHEET 2 OF 2	
S/N E008E01985B⇒	9-14
SHEET 1 OF 2	

TABLE OF CONTENTS (Continued)

DESCRIPTION	PAGE
H (continued)	
⇒S/N E008E01984B.....	9-4
SHEET 2 OF 2	
⇒S/N E008E01985B.....	9-8
I	
INDICATOR	
TWIST LOCK	
⇒S/N E008E1810.....	11-52
INSTRUMENT PANEL	
SHEET 1 OF 2.....	4-56
SHEET 2 OF 2	
⇒S/N E008E1810.....	4-60
S/N E008E1811↔S/N E008E01865Y.....	4-64
TIER I ENGINE	
SHEET 2 OF 2	
S/N E008E01866↔S/N E008E01885Z.....	4-68
TIER II	
S/N E008E01886Z⇒.....	4-74
INTERLOCK VALVE	
⇒S/N E008E1810.....	11-54
J	
JUNCTION BLOCK	
⇒S/N E008D1523, ⇒S/N E008E1542, S/N E008E1543⇒.....	9-22
L	
LABELS.....	1-68
LATCH	
HYDRAULIC.....	1-14
LIFT	
TWO STAGE LIMITED FREE-LIFT.....	10-10
LIFT CYLINDER	
H20.00-25.00F (H440FS-550F/FS)	
TWO STAGE VISTA	
⇒S/N B531E1665.....	10-14
S/N B531E1666↔S/N E008E1546.....	10-16
H20.00-25.00FS (H440FS-550F/FS)	
TWO STAGE VISTA	
S/N E008E1547⇒.....	10-18
H28.00-32.00F (H620-700F/FS)	
TWO STAGE VISTA	
S/N B531E1666↔S/N E008E1546.....	10-22
H28.00-32.00F (H620FS-700F/FS)	
S/N E008E1547⇒.....	10-24
TWO STAGE VISTA	
⇒S/N B531E1665.....	10-20
LIFTING BRACKET	
TIER I ENGINE.....	2-70
TIER II ENGINE.....	2-72

TABLE OF CONTENTS (Continued)

DESCRIPTION	PAGE
L (continued)	
LIGHT BAR AND MOUNT	
TWIST LOCK.....	4-208
LIGHTS.....	4-184
M	
MAST	
H20.00-25.00F (H440FS-550F/FS)	
TWO STAGE VISTA	10-2
H28.00-32.00F (H620-700F/FS)	
TWO STAGE VISTA	10-6
MODULATOR VALVE	
⇒S/N E008E01910Z	5-30
O	
OIL COOLER AND ATTACHING PARTS	
S/N E008E01886Z⇔S/N E008E02041C.....	9-18
S/N E008E02042C⇒.....	9-20
OIL COOLER LUBE	
TIER I ENGINE	2-50
OIL FILLER	
TIER II ENGINE.....	2-54
OIL FILTER AND COOLER	
TIER II ENGINE.....	2-52
OIL LEVEL GAUGE	
TIER I ENGINE	
H20.00-32.00F	2-44
H20.00-32.00FS.....	2-46
TIER II ENGINE.....	2-48
OIL PAN	
TIER II ENGINE	
S/N E008E01985B⇒.....	2-138
OIL PUMP	
TIER II ENGINE	
S/N E008E01985B⇒.....	2-140
OPERATOR COMPARTMENT	
ELECTRICAL COMPONENTS	
TIER II ENGINE	
S/N E008E01886Z⇔S/N E008E01984B.....	4-86
S/N E008E01985B⇒ D/B 10/2003.....	4-142
S/N E008E01985B⇒ INC. 1979.....	4-90
SHEET 1 OF 3.....	1-20
SHEET 2 OF 3.....	1-24
SHEET 3 OF 3.....	1-28
OUTPUT SHAFT	
S/N E008E01911Z⇒.....	5-12
OUTPUT YOKE.....	5-11

TABLE OF CONTENTS (Continued)

DESCRIPTION	PAGE
P	
PARK BRAKE	
⇒S/N E008E01984B	6-50
WET BRAKE	
S/N E008E01985B⇒.....	6-52
PARK BRAKE SOLENOID VALVE	
ATTACHING PARTS.....	9-108
PARK BRAKE SWITCH	
S/N E008D1582⇒, S/N E008E1656⇒.....	4-188
PARK BRAKE VALVE	
⇒S/N E008D1581	8-46
PENDULAR TWIST LOCK	
S/N E008E1811⇒.....	11-38
PILOT VALVE	9-48
ATTACHING PARTS	
⇒S/N E008D1581, ⇒S/N E008E1655	9-106
PARK BRAKE	
⇒S/N E008D1581, ⇒S/N E008E1655	9-63
PISTON AND CONNECTING ROD	
TIER II ENGINE	
S/N E008E01985B⇒.....	2-122
PLATFORM	
OPERATOR COMPARTMENT.....	1-4
PRESSURE REDUCING VALVE	
ATTACHING PARTS	
⇒S/N E008E01723.....	9-100
S/N E008E1724↔S/N E008E01984B.....	9-104
PARK BRAKE	
⇒S/N E008E01984B.....	9-62
PILOT CIRCUIT	
⇒S/N E008E01984B.....	9-61
PRESSURE SWITCH	
⇒S/N E008D1581, ⇒S/N E008E1655	4-187
R	
RADIATOR AND FAN	2-98
RADIATOR PLUMBING	
TIER II ENGINE	2-92
RELIEF VALVE	
ATTACHING PARTS	
S/N E008D1518↔S/N E008D01984B, S/N E008E1544↔S/N E008E01984B.....	9-112
⇒S/N E008D1614, ⇒S/N E008E1664	9-110
EXTENDABLE ATTACHMENT	
⇒S/N E008E1810	11-56
S/N E008E01985B⇒.....	9-64
SLEWING CYLINDER	
⇒S/N E008E1810	11-58
TILT CYLINDER.....	9-72
TWIST LOCK AND EXTENDABLE ATTACHMENT CYLINDER	
⇒S/N E008E1810	11-57
RETURN MANIFOLD	
ATTACHING PARTS	

TABLE OF CONTENTS (Continued)

DESCRIPTION	PAGE
R (continued)	
SHEET 1 OF 2 ⇒S/N E008E01984B	9-92
SHEET 2 OF 2 ⇒S/N E008E01984B	9-96
ROCKER LEVERS TIER II ENGINE S/N E008E01985B⇒.....	2-132
S	
SEAT ASSEMBLY HIGH BACK KAB PENDING PER ECN 68229-14⇒.....	1-50
KAB ⇒PENDING PER ECN 68229-14	1-48
SERVICE BRAKE ⇒S/N E008E01984B	6-44
SHIFT LEVER ⇒S/N E008E01865Y	5-56
SHUTTLE VALVE	8-50
ATTACHING PARTS ⇒S/N E008E01984B.....	9-80
⇒S/N E008E01984B	9-73
SIDE-SHIFT CARRIAGE.....	12-12
SIDE-SHIFT CYLINDER	12-26
DEDICATED CARRIAGE.....	12-28
SLEWING CYLINDER EXTENDABLE ATTACHMENT S/N E008E1811⇒.....	11-43
SLEWING CYLINDER AND ATTACHING PARTS ⇒S/N E008E1810.....	11-40
SOLENOID VALVE	9-88
PARK BRAKE ⇒S/N E008D1582, ⇒S/N E008E1656	9-65
STARTER MOTOR TIER I AND TIER II ENGINES ⇒S/N E008E01984B.....	4-180
TIER II ENGINE S/N E008E01985B⇒.....	4-182
STEERING	7-8
STEERING AXLE	7-2
STEERING CONTROL VALVE.....	7-14
STEERING CYLINDER.....	7-12
STROBE LIGHT	12-36
SUSPENSION SEAT GRAMMER HIGH BACK SHEET 1 OF 2	1-52
SHEET 2 OF 2	1-56

TABLE OF CONTENTS (Continued)

DESCRIPTION	PAGE
T	
TANK AND FILTER.....	9-36
THERMOSTAT	
TIER I ENGINE.....	2-64
TIER II ENGINE.....	2-66
THERMOSTAT HOUSING	
TIER I ENGINE.....	2-62
THROTTLE LINKAGE	
TIER I ENGINE.....	3-42
THROTTLE PEDAL	
TIER I ENGINE.....	3-48
THROTTLE PEDAL ASSEMBLY	
ELECTRONIC	
TIER II ENGINE.....	3-50
TILT CYLINDER.....	9-70
CAB TILT	
⇒S/N E008D1594, ⇒S/N E008E1676.....	1-8
S/N E008D1595⇔S/N E008D1618, S/N E008E1677⇔S/N E008E1699.....	1-10
S/N E008D1618⇒, S/N E008E1699⇒.....	1-12
TILT HYDRAULIC	
⇒S/N E008E01984B.....	9-66
S/N E008E01985B⇒.....	9-68
TIRE AND WHEEL.....	12-3
H28.00-32.00F (H620-700F/FS).....	12-6
TORQUE CONVERTER.....	5-8
TORQUE CONVERTER AND OIL COOLER FITTINGS	
TIER II ENGINE.....	2-94
TRANSMISSION	
ATTACHING PARTS	
S/N E008D1680⇔S/N E008E01910Z, S/N E008E1781⇔S/N E008E01910Z.....	5-44
⇒S/N E008E01910Z.....	5-38
ATTACHING PARTS COOLING AND FILTER.....	5-40
TRANSMISSION ATTACHING PARTS	
TIER II ENGINE	
H20.00-32.00F (H550-700F)	
S/N E008E01911Z⇒.....	5-46
H25.00-32.00FS (H440FS-700FS)	
S/N E008E01985B⇒.....	5-48
TRANSMISSION CONTROL VALVE	
⇒S/N E008E01865Y.....	5-58
TRANSMISSION CONTROLLER	
TIER I ENGINE.....	4-77
TIER II ENGINE.....	4-78
TRANSMISSION COOLING	
OPTIONAL	
S/N E008D1680⇒, S/N E008E1781⇒.....	5-54
TRANSMISSION HOUSING.....	5-2
TREADLE VALVE	
⇒S/N E008E01984B.....	8-42
S/N E008E01985B⇒.....	8-44
TURBOCHARGER MOUNT	
TIER I ENGINE.....	2-18

TABLE OF CONTENTS (Continued)

DESCRIPTION	PAGE
T (continued)	
TIER II ENGINE	
S/N E008E01985B⇒.....	2-20
TURBOCHARGER PLUMBING	
TIER I ENGINE.....	2-22
TIER II ENGINE.....	2-24
TWIST LOCK	
EXTENDABLE ATTACHMENT	
S/N E008E1811⇒.....	11-36
FIXED ATTACHMENT WITHOUT SLEWING	
⇒S/N E008E1810.....	11-32
TWO-SPEED LIFT VALVE	
S/N E008D1524⇒.....	9-24
V	
VALVE	
EXTENDABLE ATTACHMENT	
S/N E008E1811⇒.....	11-62
RELAY.....	8-48
VALVE COVER	
TIER I ENGINE.....	2-14
TIER II ENGINE.....	2-16
VALVE INCHING	
⇒S/N E008D1588, ⇒S/N E008E1656.....	8-52
S/N E008D1589↔S/N E008E01865, S/N E008E01656↔S/N E008E01865.....	8-54
VALVE TAPPET	
TIER II ENGINE	
S/N E008E01985B⇒.....	2-126
VIBRATION DAMPER	
TIER II ENGINE	
S/N E008E01985B⇒.....	2-154
W	
WATER INLET CONNECTION	
TIER I ENGINE.....	2-110
TIER II ENGINE.....	2-112
WATER OULET CONNECTION	
TIER I ENGINE.....	2-114
WATER OUTLET CONNECTION	
TIER II ENGINE.....	2-116
WATER PUMP	
TIER I ENGINE.....	2-118
TIER II ENGINE.....	2-120
WEAR PLATE	
EXTENDABLE ATTACHMENT	
⇒S/N A660E1541.....	11-66
S/N A660E1542↔S/N E008E1810.....	11-68
S/N E008E1811⇒.....	11-70
WINDSCREEN WASHER.....	1-36
WIRE HARNESS	

TABLE OF CONTENTS (Continued)

DESCRIPTION	PAGE
W (continued)	
AUTOSHIFT ADAPTER	
S/N E008E01866Y⇒.....	4-158
AUTOSHIFT CONTROLLER	
⇒S/N E008E1865Y.....	4-156
AUTOSHIFT FUSE PANEL	
TIER 1 ENGINE	
S/N E008E01911Z↔S/N E008E01984B.....	4-162
TIER I ENGINE	
⇒S/N E008E01910Z.....	4-160
TIER II ENGINE	
S/N E008E01866Y⇒.....	4-164
BACK-UP ALARM.....	4-41
BRAKE INDICATOR.....	4-202
BRAKE TEMPERATURE SWITCH	
D/B 10/2003⇒.....	4-38
CONTAINER ATTACHMENT	
LIGHT SWITCH	
D/B 10/2003⇒.....	4-194
LIGHTS	
D/B 10/2003⇒.....	4-196
CONTROL VALVE	
D/B 10/2003⇒.....	4-36
DIAGNOSIS.....	4-197
ENGINE	
PENDING PER ECN 68204-25⇒.....	4-52
⇒S/N E008E01865.....	4-42
⇒S/N E008E01866Y, ⇒S/N E008E01912Z.....	4-44
TIER II	
S/N E008E01991B⇒.....	4-50
ENGINE COMPARTMENT	
CHASSIS (TIER II)	
S/N E008E01991B⇒.....	4-32
⇒S/N E008E01866Y, ⇒S/N E008E01984B.....	4-28
⇒S/N E008E1773.....	4-24
S/N E008E1774↔S/N E008E01865Y.....	4-26
TIER II	
S/N E008E01985B↔S/N E008E01990B.....	4-30
GAUGE	
TIER I AND TIER II ENGINE.....	4-134
TIER II.....	4-199
GEAR SHIFT	
S/N E008E1811↔S/N E008E01865Y.....	4-104
HYDRAULIC OIL COOLER.....	4-204
IDLE VALIDATION SWITCH.....	4-206
LIGHTING SWITCH.....	4-150
LOCKING AND LIFT CONTROL	
D/B 10/2003⇒.....	4-154
S/N E008E1811⇒ D/B 10/2003.....	4-152
LOWERING INTERRUPT.....	4-192
MAIN LIGHT.....	4-191

TABLE OF CONTENTS (Continued)

DESCRIPTION	PAGE
W (continued)	
MODULE	
WITH EC CAB	
⇒S/N E008E1810	4-110
S/N E008E1811⇒	4-111
WITH STANDARD CAB	
⇒S/N E008E1810	4-112
S/N E008E1811⇒	4-113
OPERATOR COMPARTMENT	
⇒S/N E008D1515, S/N E008E1522↔S/N E008E1810	4-122
TIER 1 ENGINE	
S/N E008E01781W↔S/N E008E01984B.....	4-126
TIER I AND TIER II ENGINE.....	4-124
TIER II ENGINES	
D/B 10/2003⇒ S/N E008E01990B	4-130
S/N E008E01985B⇒ D/B 10/2003	4-128
S/N E008E01991B⇒	4-132
PARK BRAKE	
⇒S/N E008E01865	4-94
S/N E008E01866⇒	4-96
POWER SUPPLY	4-195
PRESSURE SWITCH	
LIGHTS	4-151
RADIATOR COOLANT LEVEL SWITCH	4-203
REAR LIGHT	4-190
SENSOR	
⇒S/N E008E1865Y.....	4-54
SOLENOID VALVE	
⇒S/N E008E1810	4-34
S/N E008E1810⇒ D/B 10/2003	4-35
STEERING POD	
TIER I AND TIER II ENGINE.....	4-135
TIER II ENGINES	
S/N E008E01985B⇒	4-136
SWITCH	
EC CAB	
D/B 10/2003⇒	4-120
S/N E008E1811⇒ D/B 10/2003	4-118
WITH STANDARD CAB	
⇒S/N E008E01984B	4-114
SWITCH AND RELAY	4-200
SWITCHES	
WITH STANDARD CAB	
S/N E008E01985B⇒	4-116
TRANSMISSION	
⇒S/N E008E1865Y.....	4-40
TRANSMISSION AND ATTACHMENT	
⇒S/N E008E1810	4-102
TRANSMISSION CONTROL	
PENDING PER ECN 68229-14⇒	4-148
TIER I ENGINE	4-138

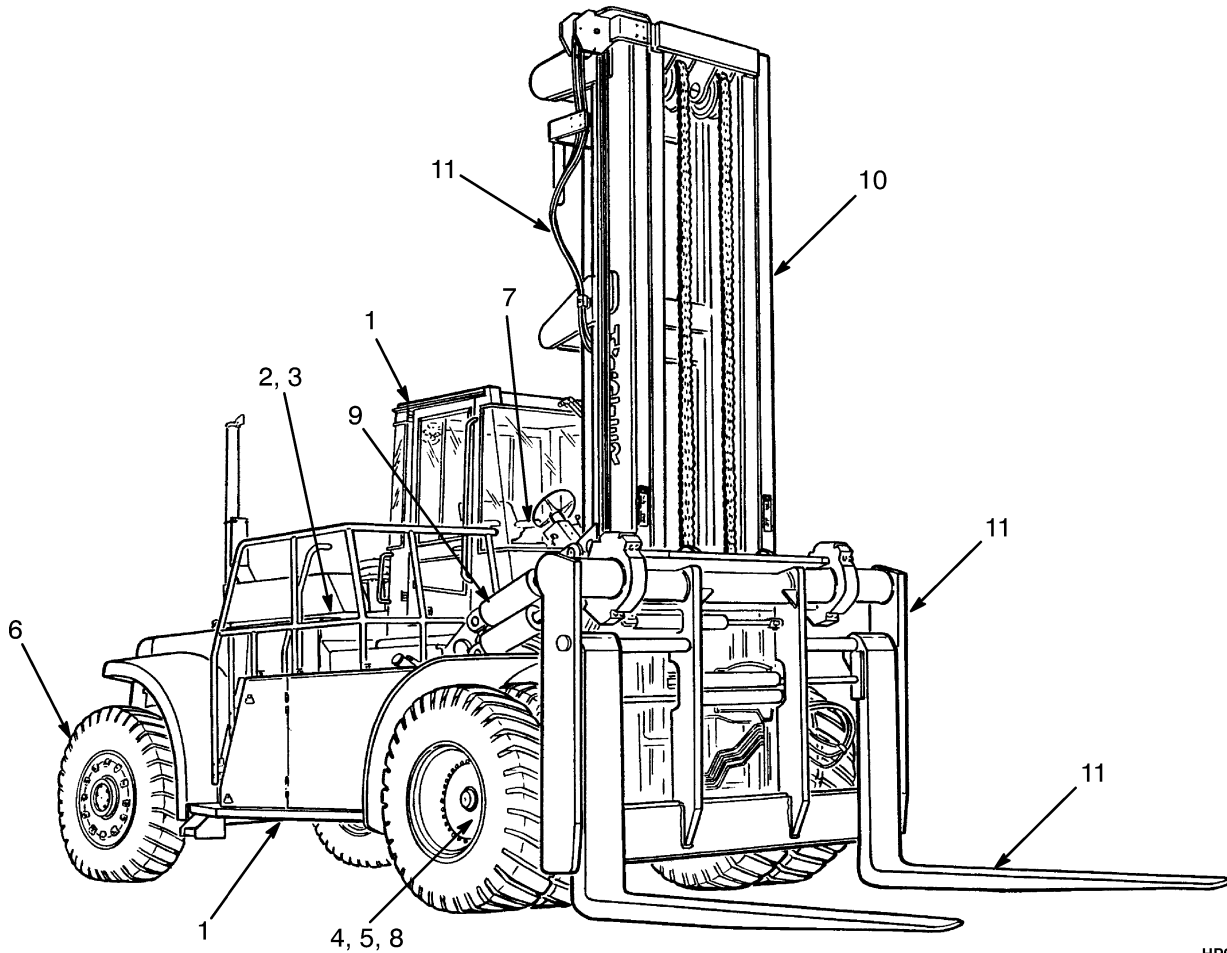
TABLE OF CONTENTS (Continued)

DESCRIPTION	PAGE
W (continued)	
TIER II ENGINE	
S/N E008E01911Z⇒	4-146
TIER II ENGINES	
S/N E008E01886Z↔S/N E008E01910Z	4-140
WASH PUMPS	4-193
WITH EC CAB	4-106
CONTAINER ATTACHMENT	
D/B 10/2003⇒	4-100
⇒S/N E008E1810	4-98
S/N E008E1811⇒ D/B 10/2003	4-99
WITH STANDARD CAB	4-108
WORK LIGHTS	4-189
WIRE HARNESS (ENGINE)	
TIER II	
S/N E008E01913Z↔S/N E008E01984B	4-46
S/N E008E01985B↔S/N E008E01990B	4-48
WIRING ACCESSORIES	
TIER II ENGINE	
S/N E008E01985B⇒	4-212

**SECTION 1
FRAME**

DESCRIPTION	PAGE
COUNTERWEIGHT	1-46
FLOOR PLATES AND COVERS	
H20.00-32.00F, H550-700F	1-38
H20.00-32.00FS, H440-700FS	1-42
GENERAL TRUCK	1-2
HAND PUMP	
OPERATOR COMPARTMENT	
⇒S/N E008E1592	1-16
S/N E008E1593⇒	1-18
HEATER	1-32
HEATER CONTROL	1-35
HOOD	
H20.00-32.00FS, H440-700FS	1-66
HOOD AND LINKAGE	
H20.00-32.00F, H550-700F	
TIER I ENGINE	1-58
HOOD LINKAGE	
H20.00-32.00F, H550-700F	
TIER II ENGINE	1-62
LABELS	1-68
LATCH	
HYDRAULIC	1-14
OPERATOR COMPARTMENT	
SHEET 1 OF 3	1-20
SHEET 2 OF 3	1-24
SHEET 3 OF 3	1-28
PLATFORM	
OPERATOR COMPARTMENT	1-4
SEAT ASSEMBLY	
HIGH BACK	
KAB	
PENDING PER ECN 68229-14⇒	1-50
KAB	
⇒PENDING PER ECN 68229-14	1-48
SUSPENSION SEAT	
GRAMMER HIGH BACK	
SHEET 1 OF 2	1-52
SHEET 2 OF 2	1-56
TILT CYLINDER	
CAB TILT	
⇒S/N E008D1594, ⇒S/N E008E1676	1-8
S/N E008D1595↔S/N E008D1618, S/N E008E1677↔S/N E008E1699	1-10
S/N E008D1618⇒, S/N E008E1699⇒	1-12
WINDSCREEN WASHER	1-36

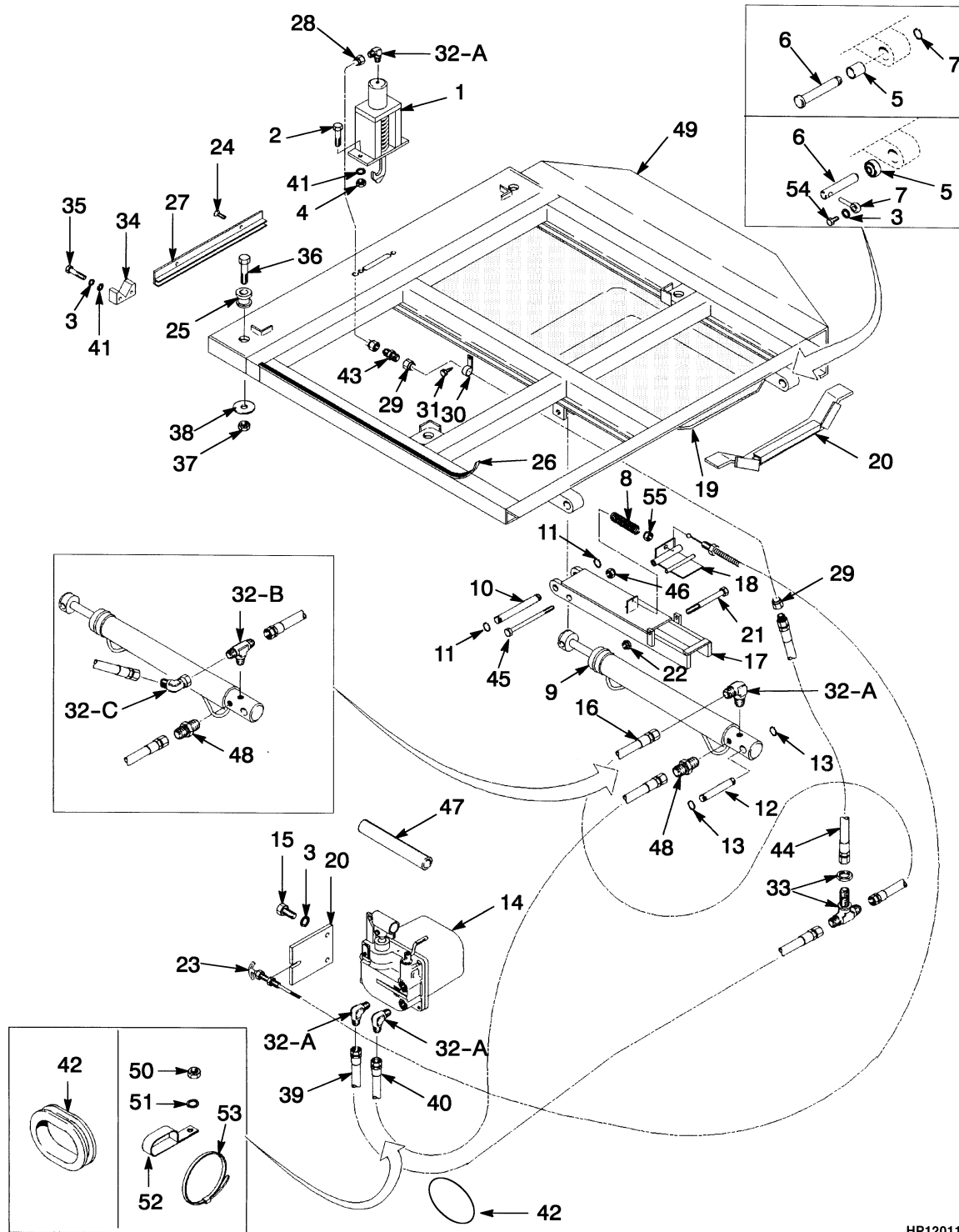
GENERAL TRUCK (Figure 1-1)



HP990025

ITEM	PART NO.	DESCRIPTION	QTY
1	FRAME (☞ Figure 1-2)	1
2	ENGINE	1
3	FUEL SYSTEM (☞ Figure 3-1)	1
4	ELECTRICAL SYSTEM (☞ Figure 4-1)	1
5	TRANSMISSION (☞ Figure 5-1)	1
6	DRIVE AXLE (☞ Figure 6-1)	1
7	STEERING SYSTEM (☞ Figure 7-1)	1
8	BRAKE SYSTEM (☞ Figure 8-1)	1
9	HYDRAULIC SYSTEM (☞ Figure 9-1)	1
10	MAST-TWO STAGE LIMITED FREE-LIFT (☞ Figure 10-1)	1
11	ATTACHMENTS (☞ Figure 11-1)	1
12	OPTIONS (☞ Figure 10-1)	1
13	NUMERICAL INDEX	1

PLATFORM (Figure 1-2) OPERATOR COMPARTMENT



HP120110

**PLATFORM
OPERATOR COMPARTMENT****KEY:****A: Center Compartment (H20.00-32.00F, H550-700F)****B: Left Compartment (H20.00-32.00F, H550-700F)****C: Center Compartment (H440-700FS)****D: Left Compartment (H440-700FS)**

ITEM	PART NO.	DESCRIPTION	QTY			
			A	B	C	D
1	1335659	Latch (Hydraulic) (☞ Figure 1-6)	1	1	1	1
2	16815	Capscrew.....	2	2	2	2
3	gq 15156	Lockwasher.....	12	12	12	12
3	hr 15156	Lockwasher.....	8	8	8	8
4	156133	Nut	2	2	2	2
5	eo 1333065	Bushing.....	2	2	2	2
5	fp 192970	Bushing.....	2	2	2	2
6	eo 1335661	Pin	2	2	2	2
6	fp 1354548	Pin	2	2	2	2
7	eo 131358	Snap Ring.....	2	2	2	2
7	fp 195566	Anchor	2	2	2	2
8	1359434	Spring	1	1	1	1
9	iu 1335658	Tilt Cylinder (☞ Figure 1-3)	1	1	1	1
9	jv 1367339	Tilt Cylinder (☞ Figure 1-4)	1	1	1	1
9	kw 816345	Tilt Cylinder (☞ Figure 1-5)	1	1	1	1
10	1336921	Pin	1	1	1	1
11	1194630	Snap Ring.....	2	2	2	2
12	1336920	Pin	1	1	1	1
13	131357	Snap Ring.....	2	2	2	2
14	s 1335657	Hydraulic Pump (☞ Figure 1-7)	1	1	1	1
14	t 816344	Hydraulic Pump (☞ Figure 1-8)	1	1	1	1
15	16805	Capscrew.....	2	2	2	2
16	139721	Hose	1	1
17	1359435	Link	1	1	1	1
18	1344284	Latch.....	1	1	1	1
19	1336907	Sound Liner	2	2	2	2
20	hr 1359444	Support.....	2	2	2	2
21	18547	Capscrew.....	1	1	1	1
22	192077	Nut	1	1	1	1
23	1336910	Cable (Control)	1	1
23	1353946	Cable (Control)	1	1
24	18337	Capscrew.....	4	4	4	4
25	1325519	Mount (Cab).....	4	4	4	4
26	178901	Foam Tape.....	AR	AR	AR	AR
27	1331886	Bracket.....	2	2	2	2
28	1337259	Tube.....	1	1	1	1
29	1337260	Tube.....	1	1	1	1
30	124359	Clamp	4	4	4	4
31	277279	Screw.....	4	4	4	4
32	14500	Fitting (A)	1	1	3	3
32	14602	Fitting (B)	1	1
32	16556	Fitting (D).....	2	2	2	2
32	16997	Fitting (C).....	1	1
33	16472	Fitting.....	1	1
34	1336090	Support.....	2	2	2	2

PLATFORM OPERATOR COMPARTMENT

ITEM	PART NO.	DESCRIPTION	QTY			
			A	B	C	D
35	16816	Capscrew.....	4	4	4	4
36	a 292535	Capscrew.....	4	4	4	4
36	b 292538	Capscrew.....	4	4	4	4
37	300937	Locknut.....	4	4	4	4
38	a 300939	Washer.....	4	4	4	4
38	300939	Washer.....	4	4	4	4
38	b 816574	Spacer.....	4	4	4	4
39	1337300	Hose.....	1	1
39	146236	Hose.....	1	1
40	146236	Hose.....	1	1
40	265325	Hose.....	1	1
41	15176	Washer.....	6	6	6	6
42	1337281	Grommet.....	1	1	1	1
43	14689	Fitting.....	1	1	1	1
44	1339532	Hose.....	1	1	1	1
45	18486	Capscrew.....	1	1	1	1
46	169874	Nut.....	1	1	1	1
47	1360658	Handle (Pump).....	1	1
47	815996	Handle (Pump).....	1	1
47	816346	Grip.....	1	1
48	14668	Fitting.....	1	1	1	1
49	cl 1331920	Platform.....	1
49	dm 1466330	Platform.....	1
49	n 1507767	Platform.....	1
49	cl 1331921	Platform.....	..	1
49	n 1507768	Platform.....	..	1
49	cl 1349783	Platform.....	1	..
49	dm 1466327	Platform.....	1	..
49	n 1514838	Platform.....	1	..
49	x 1349784	Platform.....	1
49	n 1514839	Platform.....	1
49	1515579	Platform.....	1
50	15056	Nut.....	1	1
51	15134	Washer.....	1	1
52	128408	Clamp.....	2	2
53	114312	Strap Clamp.....	2	2
54	fp 16598	Capscrew.....	2	2	2	2
55	15026	Nut.....	1	1	1	1

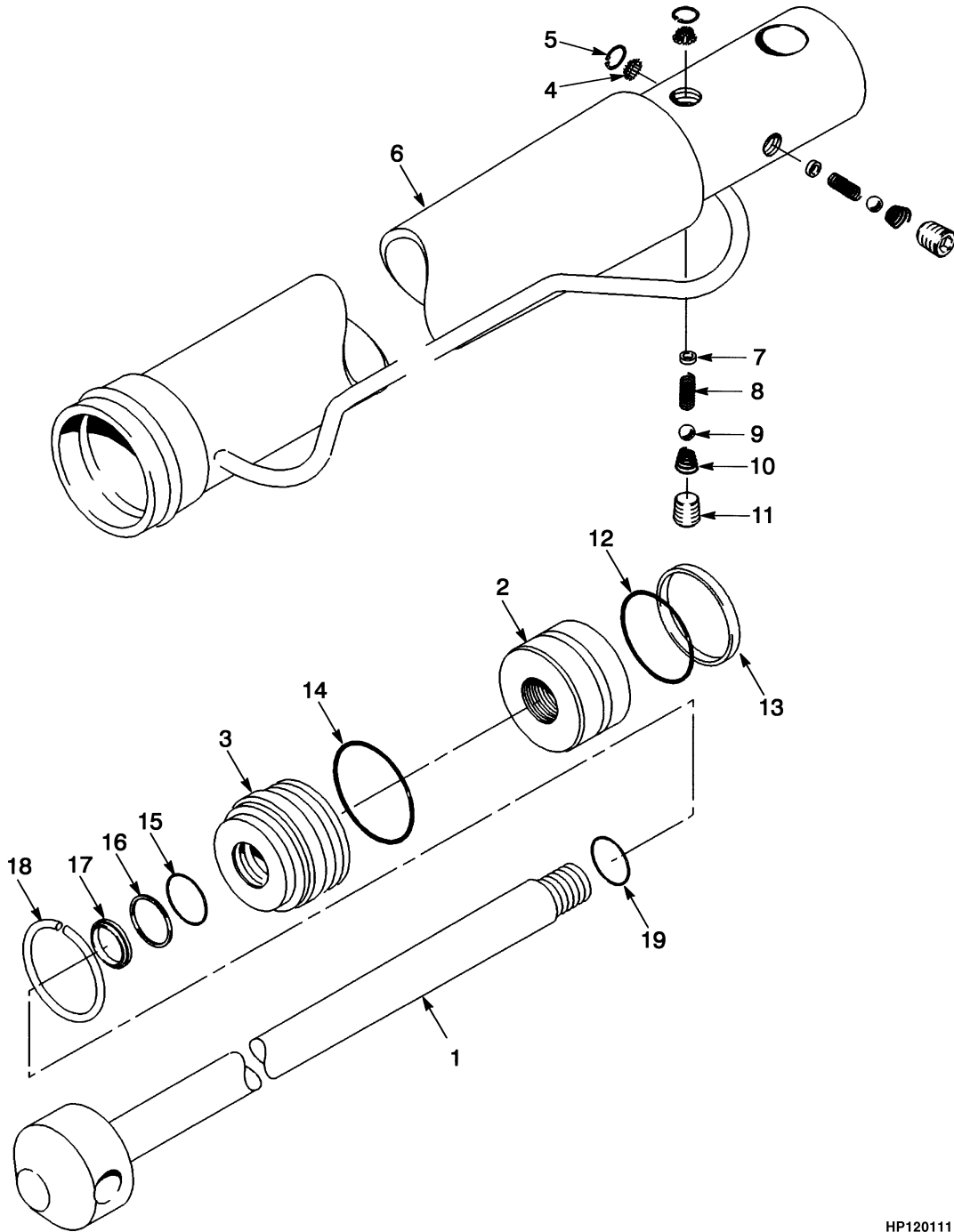
FOOTNOTES:

- a** With EC Cab
- b** With Standard Cab
- c** ⇒ S/N E008D-01701X
- d** S/N E008D-01701X⇔S/N E008E-01888Z
- e** ⇒ S/N E008D-1514
- f** S/N E008D-1515 ⇒
- g** ⇒ S/N E008D-1519
- h** S/N E008D-1520 ⇒
- i** ⇒ S/N E008D-1594
- j** S/N E008D-1595⇔S/N E008D-1618
- k** S/N E008D-1618 ⇒

**PLATFORM
OPERATOR COMPARTMENT**

l ⇒ S/N E008E-01749W
m S/N E008E-01749W⇔S/N E008E-01888Z
n S/N E008E-01889Z ⇒
o ⇒ S/N E008E-1537
p S/N E008E-1538 ⇒
q ⇒ S/N E008E-1542
r S/N E008E-1543 ⇒
s ⇒ S/N E008E-1592
t S/N E008E-1593 ⇒
u ⇒ S/N E008E-1676
v S/N E008E-1677⇔S/N E008E-1699
w S/N E008E-1699 ⇒
x ⇒ S/N E008E-1888Z

TILT CYLINDER (Figure 1-3) CAB TILT (⇒S/N E008D1594, ⇒S/N E008E1676)

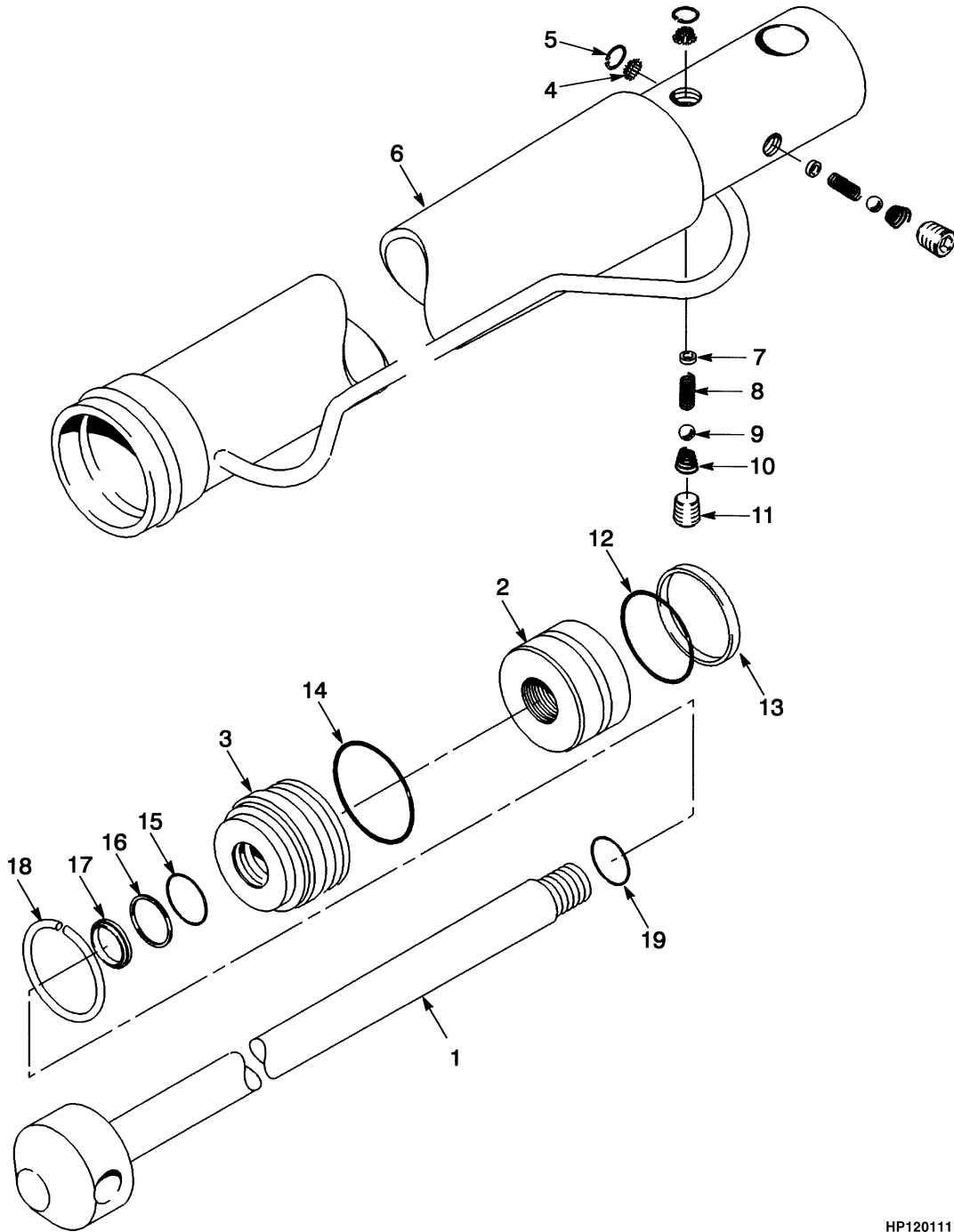


HP120111

**TILT CYLINDER
CAB TILT
(⇒S/N E008D1594, ⇒S/N E008E1676)**

ITEM	PART NO.	DESCRIPTION	QTY
	1335658	Tilt Cylinder.....	1
1	1338719	Rod.....	1
2	1338720	Piston	1
3	1338721	Gland.....	1
4	Screen.....	2
5	Retaining Ring.....	2
6	Shell	1
7	Screw (Lock)	2
8	Spring.....	2
9	Ball	2
10	Spring.....	2
11	Plug	2
12	O-Ring	1
13	Seal	1
14	O-Ring	1
15	O-Ring.....	1
16	Back-Up Ring	1
17	Wiper.....	1
18	Retaining Ring.....	1
19	O-Ring	1
	1338723	Seal Kit (Includes Items 4-5, 12-19)	1

TILT CYLINDER (Figure 1-4) CAB TILT (S/N E008D1595↔S/N E008D1618, S/N E008E1677↔S/N E008E1699)



HP120111

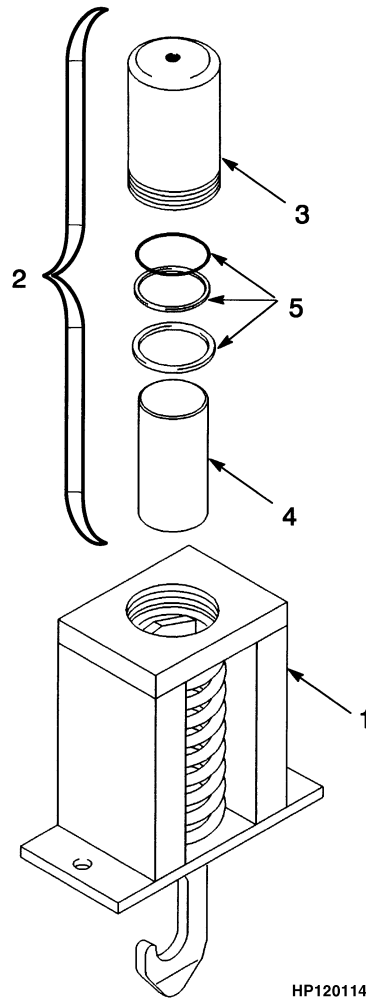
**TILT CYLINDER
CAB TILT
(S/N E008D1595↔S/N E008D1618, S/N E008E1677↔S/N E008E1699)**

ITEM	PART NO.	DESCRIPTION	QTY
	1367339	Tilt Cylinder.....	1
1	Rod.....	1
2	Piston	1
3	Gland.....	1
4	Spring.....	2
5	Retaining Ring.....	2
6	Shell	1
7	Screw (Lock)	2
8	Spring.....	2
9	Ball	2
10	Spring.....	2
11	Plug	2
12	Seal	1
13	O-Ring	1
14	O-Ring	1
15	O-Ring	1
16	Back-Up Ring	1
17	Wiper.....	1
18	Ring.....	1
19	O-Ring.....	1
	1338723	Seal Kit (Includes Items 4-5, 12-19)	1

**TILT CYLINDER
CAB TILT
(S/N E008D1618⇒, S/N E008E1699⇒)**

ITEM	PART NO.	DESCRIPTION	QTY
	816345	Tilt Cylinder.....	1
1	Rod.....	1
2	1338720	Piston	1
3	1452221	Gland.....	1
4	Screen.....	2
5	Retaining Ring.....	2
6	Shell	1
12	Seal.....	1
13	O-Ring.....	1
14	O-Ring.....	1
15	O-Ring.....	1
16	Back-Up Ring	1
17	Wiper.....	1
18	Ring.....	1
19	O-Ring.....	1
	1452222	Repair Kit (Includes Items 4-5, 12-19).....	1

LATCH (Figure 1-6) HYDRAULIC



HP120114

ITEM	PART NO.	DESCRIPTION	QTY
	1335659	Latch (Hydraulic).....	1
1	1338724	Latch.....	1
2	1347905	Cylinder Assembly.....	1
3	1338875	Cylinder Assembly	1
4	Plunger.....	1
5	O-Ring.....	1
5	Back-Up Ring.....	1
5	Wiper.....	1
	1338877	Seal Kit (Includes Item 5)	1



Suggest:

For more complete manuals. Please go to the home page.

<https://www.ebooklibonline.com>

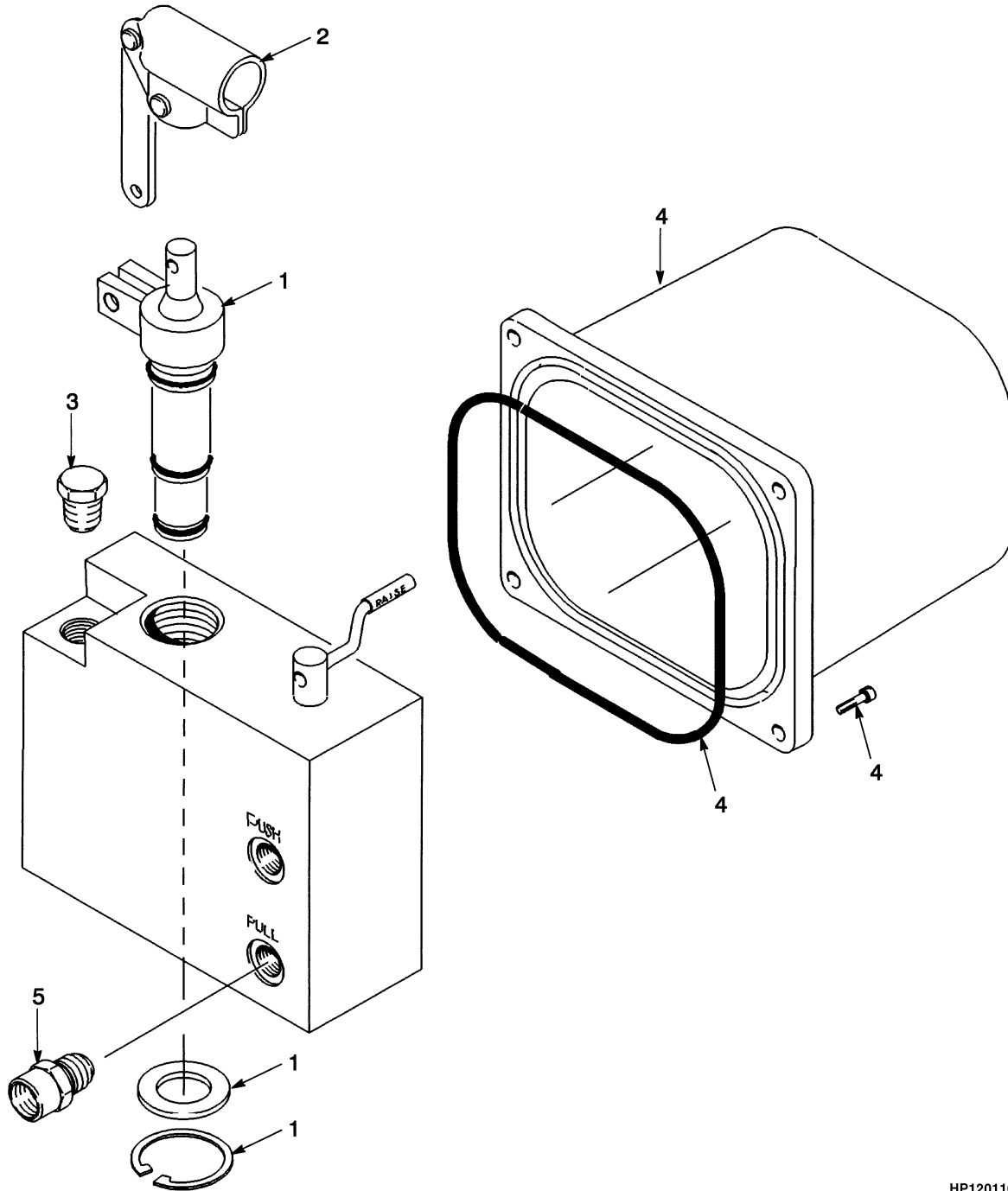
If the above button click is invalid. Please download this document first, and then click the above link to download the complete manual.

Thank you so much for reading

**HAND PUMP
OPERATOR COMPARTMENT
(⇒S/N E008E1592)**

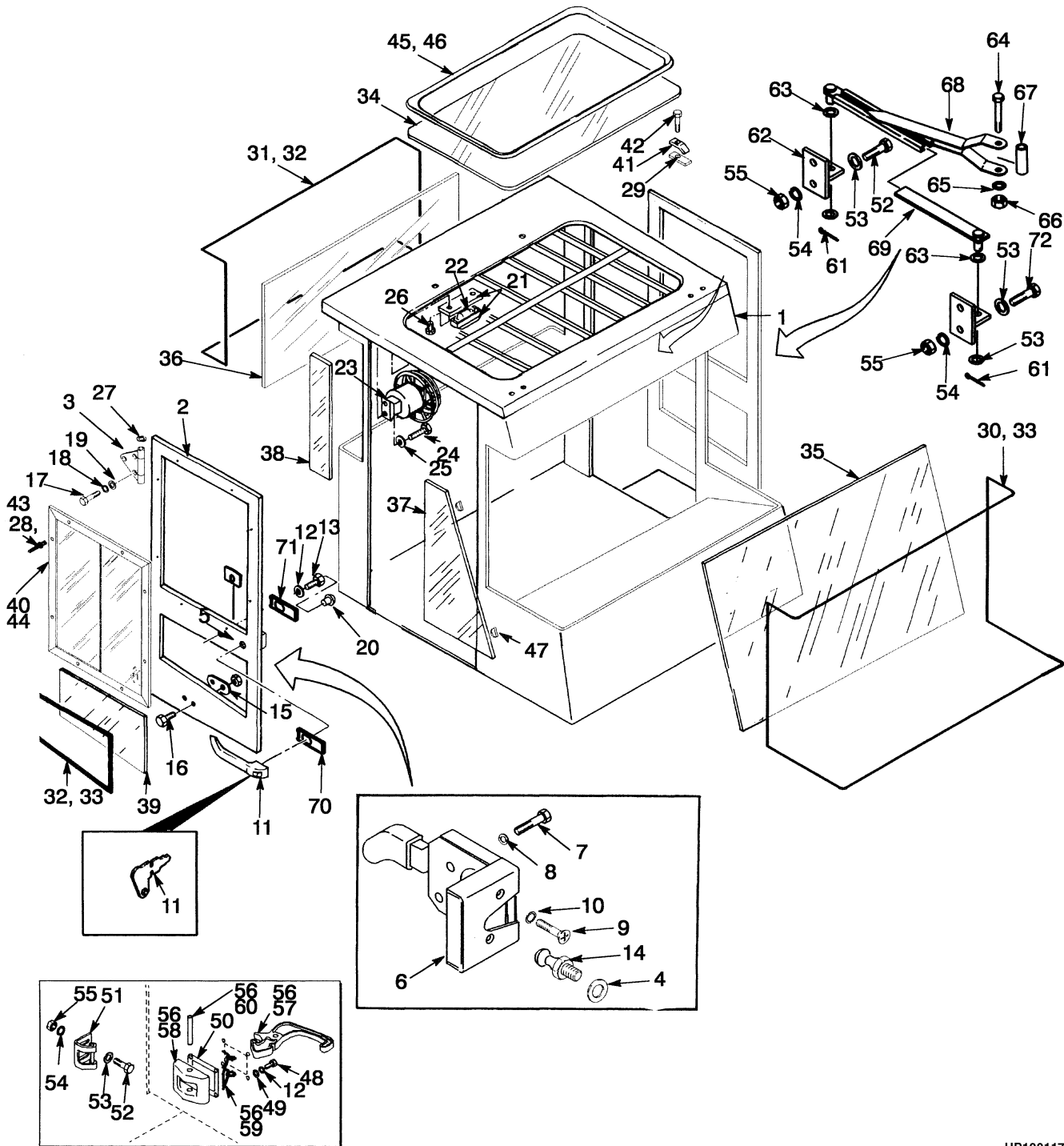
ITEM	PART NO.	DESCRIPTION	QTY
	1335657	Hydraulic Pump	1
1	Body	1
2	1338691	Spool	1
3	Cylinder	1
4	1338692	Seat	1
5	1338693	Plunger	1
6	1338694	Reservoir	1
7	1338695	Plug	1
8	1338696	Relief Valve	1
9	1338697	Adapter (Inlet).....	1
10	1338698	Screen	1
11	1338699	Capscrew	4
12	1338700	Plug	1
13	1338701	Spring.....	1
14	1338702	Beam	1
15	1338703	Pin	1
16	1338704	Link.....	1
17	1338705	Cotter Pin	2
18	1338706	Pin	1
19	1338707	Pin	1
20	1338708	Washer	2
21	1338709	Washer	4
22	1338710	Fitting.....	1
23	1338711	Retaining Ring.....	2
24	1338712	Screen	2
25	1338713	Handle	1
26	1338714	Screw	1
27	1338715	Ball	7
28	1338716	Plug	1
29	1338676	Seal Kit.....	AR
30	1338717	Capscrew	1
31	1338718	Screw	1

HAND PUMP (Figure 1-8) OPERATOR COMPARTMENT (S/N E008E1593⇒)



HP120116

OPERATOR COMPARTMENT (Figure 1-9) SHEET 1 OF 3



HP120117

**OPERATOR COMPARTMENT
SHEET 1 OF 3****KEY:****A: Last Used on E8E-1750****B: First Used on E8E-1751**

ITEM	PART NO.	DESCRIPTION	QTY	
			A	B
1	1346460	Operator Compartment.....	1	..
1	1375947	Operator Compartment (With EC Cab)	1
1	1463263	Operator Compartment (With Standard Cab).....	..	1
2	1300995	Door (LH).....	1	..
2	1300996	Door (RH)	1	..
2	1377726	Door (LH).....	..	1
2	1377727	Door (RH)	1
3	1300978	Hinge (LH)	2	..
3	1300979	Hinge (RH).....	2	..
4	296423	Washer	2	2
5	302399	Nut	4	..
6	1309824	Door Handle (LH)	1	1
6	1312450	Door Handle (RH).....	1	1
7	302248	Screw.....	4	4
8	292679	Lockwasher.....	4	4
9	296464	Screw.....	4	4
10	296396	Washer	4	4
11	1319177	Door Handle	2	2
11	1360777	Key	1	1
12	292680	Lockwasher.....	2	6
13	302256	Screw.....	2	2
14	365344	Bolt	2	2
15	3047418	Plate	2	..
16	353144	Capscrew.....	4	..
17	1301705	Capscrew.....	12	..
18	1301707	Washer	12	..
19	1301706	Lockwasher.....	12	..
20	309666	Plug	2	2
21	1301254	Dome Light	1	1
22	1301256	Bulb	2
22	1307051	Bulb	2	..
23	1307755	Fan.....	1	1
23	134810	Terminal.....	1	1
23	181045	Connector.....	1	1
24	16750	Screw.....	4	4
25	15152	Lockwasher.....	4	4
26	302236	Screw.....	2	2
27	1301700	Bushing (Brass)	4	4
28	280472	Sealant	AR	AR
29	1342660	Strip	3	4
30	1346426	Seal (Front Window)	1	1
31	376064	Seal (Rear Window).....	1	1
32	376867	Seal (LH Window).....	1	1
32	376868	Seal (RH Window)	1	1
33	376922	Lock Strip.....	AR	AR
34	1346422	Window (With EC Cab).....	1	1

OPERATOR COMPARTMENT SHEET 1 OF 3

ITEM	PART NO.	DESCRIPTION	QTY	
			A	B
34	1463773	Window (With Standard Cab)	1
35	1346424	Glass (Front)	1	1
36	1301372	Glass (Rear)	1	1
37	1346425	Glass	2	2
38	1301374	Glass	2	2
39	1301375	Glass	2	2
40	ce 1311302	Window (RH)	1	..
40	ce 1324084	Latch	1	..
40	df 1375984	Window (RH)	1	1
40	df 1377704	Glass (Stationary)	1
40	df 1377703	Glass (Sliding)	1
40	df 1377702	Latch	1	1
40	df 1377271	Screw	4	4
40	ce 1311303	Window (LH)	1	..
40	ce 1324084	Latch	1	..
40	df 1375985	Window (LH)	1	1
40	df 1377704	Glass (Stationary)	1
40	df 1377703	Glass (Sliding)	1
40	df 1377702	Latch	1	1
40	df 1377271	Screw	4	4
41	1301184	Plate	4	4
42	302244	Screw	4	4
43	265817	Rivet	16	16
44	Glue (Silicone)	AR	AR
45	365337	Primer	AR	AR
46	318352	Seal	AR	AR
47	376840	Spacer	2	AR
48	292500	Capscrew	8
49	320156	Washer	8
50	1369496	Seal	2
51	b 1393748	Striker Plate (Center Mount)	2
51	1393748	Striker Plate (LH Mount)	1
52	b 292513	Capscrew (Center Mount)	4
52	a 292513	Capscrew (Center Mount)	2
52	136985	Capscrew (LH Mount)	4
53	b 320159	Washer (Center Mount)	4
53	a 320159	Washer (Center Mount)	12
53	320159	Washer (LH Mount)	6
54	b 292682	Lockwasher (Center Mount)	4
54	a 292682	Lockwasher (Center Mount)	8
54	292682	Lockwasher (LH Mount)	6
55	b 136692	Nut (Center Mount)	4
55	a 136692	Nut (Center Mount)	8
55	136692	Nut (LH Mount)	6
56	1374428	Latch Assembly	2
57	1356943	Latch	1
58	1356948	Bracket	1
59	1358734	Spring	1
60	226774	Pin	1
61	a 18839	Pin (Center Mount)	4
61	18839	Pin (LH Mount)	2

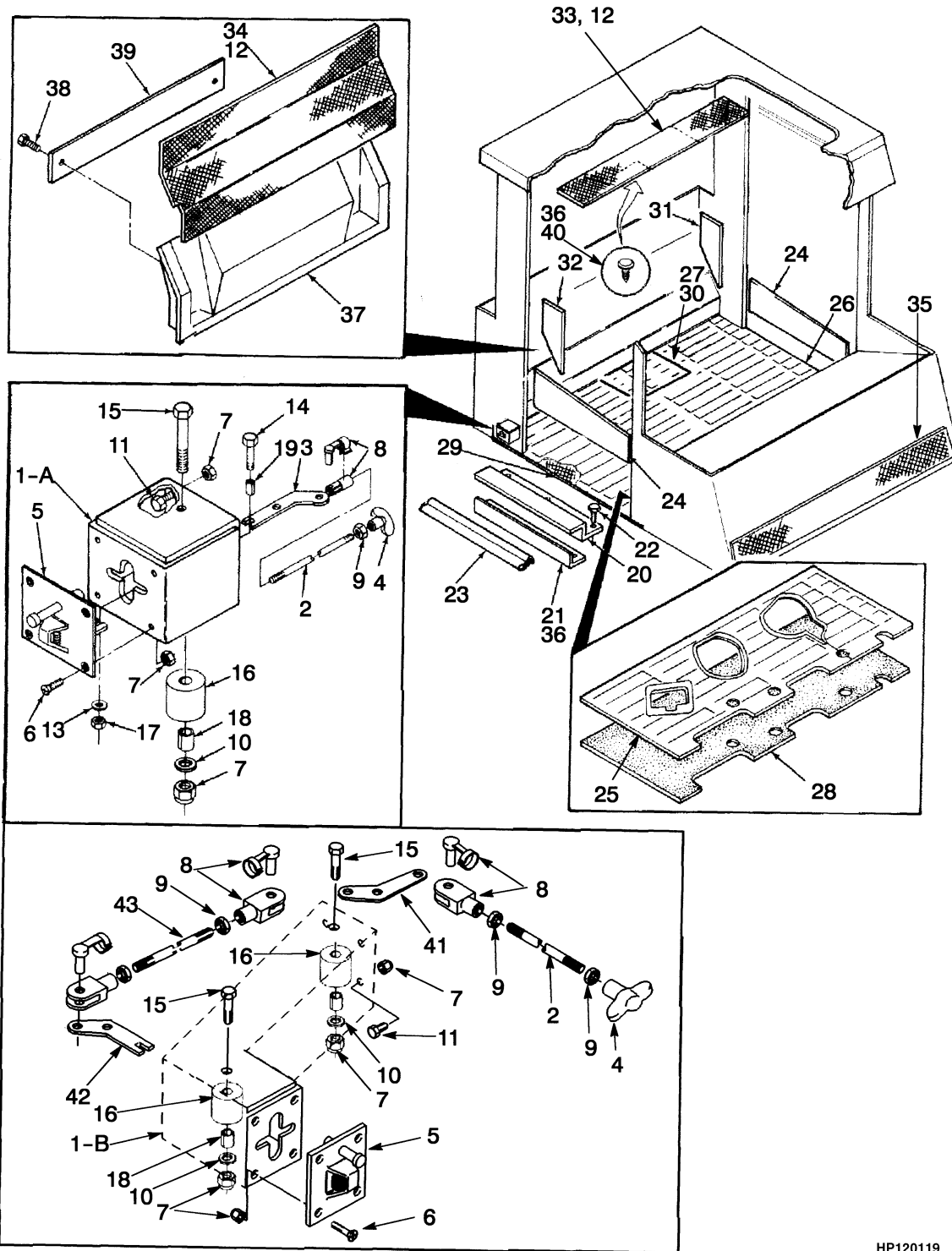
**OPERATOR COMPARTMENT
SHEET 1 OF 3**

ITEM	PART NO.	DESCRIPTION	QTY	
			A	B
62	a 1378439	Plate (Center Mount)	4
62	1378439	Plate (LH Mount)	2
63	a 334340	Washer (Center Mount)	4
63	334340	Washer (LH Mount)	2
64	a 18518	Capscrew (Center Mount).....	..	2
64	18518	Capscrew (LH Mount).....	..	1
65	a 18515	Washer (Center Mount)	4
65	18515	Washer (LH Mount)	2
66	a 15114	Nut (Center Mount).....	..	2
66	15114	Nut (LH Mount)	1
67	a 1378429	Roller (Center Mount)	2
67	1378429	Roller (LH Mount)	1
68	a 1458111	Channel (RH) (Center Mount)	1
68	a 1458115	Channel (LH) (Center Mount)	1
68	1378430	Channel (LH Mount)	1
69	a 1378436	Slider (Center Mount)	2
69	1378436	Slider (LH Mount)	1
70	816377	Seal	2	..
71	816378	Seal	2	..
72	287854	Capscrew (LH Mount).....	..	2

FOOTNOTES:

- a H20.00-25.00FS
- b H20.00-32.00F, H28-00-32.00FS
- c ⇒ S/N E008D-1581
- d S/N E008D-1582 ⇒
- e ⇒ S/N E008E-1654
- f S/N E008E-1655 ⇒

OPERATOR COMPARTMENT (Figure 1-10) SHEET 2 OF 3



HP120119

<https://www.ebooklibonline.com>

Hello dear friend!

Thank you very much for reading.

Enter the link into your browser.

The full manual is available for immediate download.

<https://www.ebooklibonline.com>