

PARTS MANUAL

SPACESAVER

**S70-120XM, S120XMS,
S80-100XMBCS [S3.50-5.50XM]
(E004)**

CUSTOMER EDITION

HYSTER

SECTIONS

1	FRAME
2	ENGINE(S)
3	FUEL SYSTEM
4	ELECTRICAL SYSTEM
5	TRANSMISSION
6	STEERING SYSTEM
7	BRAKE SYSTEM
8	HYDRAULIC SYSTEM
9	MAST-TWO STAGE LIMITED FREE-LIFT
10	MAST-TWO STAGE FULL FREE-LIFT
11	MAST-THREE STAGE FULL FREE-LIFT
12	OPTIONS
13	NUMERICAL INDEX

TABLE OF CONTENTS

DESCRIPTION	PAGE
A	
ACCELERATOR PEDAL	
MONOTROL	3-60
WITH FORWARD AND REVERSE LEVER.....	3-64
ACCUMULATOR	12-48
AIR FILTER.....	2-32
ALTERNATOR	
LPS	4-30
ALTERNATOR MOUNTING	
DIESEL	4-32
AUXILARY TUBE EXTENSION KIT	
TWO STAGE LIMITED FREE-LIFT.....	12-32
B	
BACK-UP ALARM	12-50
BATTERY TRAY LATCH.....	1-6
BRAKE ASSEMBLY	
LONG WHEEL BASE	7-10
SHORT WHEEL BASE	7-8
BRAKE LINES.....	7-12
BRAKE LINKAGE	
DUAL PEDALS	7-4
SINGLE PEDAL.....	7-2
C	
CAMSHAFT AND OIL PAN	
GASOLINE AND LPG.....	2-22
CARBURETOR	
LPG.....	3-10
CARRIAGE	
THREE STAGE FULL FREE-LIFT	11-28
TWO STAGE FULL FREE-LIFT	10-24
TWO STAGE LIMITED FREE-LIFT.....	9-18
CLUTCH PACK.....	5-10
CONTROL VALVE AND ATTACHING PARTS	
FIVE FUNCTION	8-18
FOUR FUNCTION	8-16
THREE FUNCTION	8-12
COOLANT PUMP	
DIESEL	
D/B 01/2002⇒.....	2-54
⇒D/B 01/2002.....	2-52
COOLING	
DIESEL	2-36
GASOLINE AND LPG.....	2-6
COUNTERWEIGHT	1-12
CRANKSHAFT AND PISTON	
DIESEL	2-40
CYLINDER BLOCK	
DIESEL	2-38
GASOLINE AND LPG.....	2-18

<https://www.ebooklibonline.com>

Hello dear friend!

Thank you very much for reading.

Enter the link into your browser.

The full manual is available for immediate download.

<https://www.ebooklibonline.com>

TABLE OF CONTENTS (Continued)

DESCRIPTION	PAGE
C (continued)	
CYLINDER HEAD	
DIESEL	2-50
GASOLINE AND LPG	2-26
D	
DIFFERENTIAL AND HYPOID ASSEMBLY	5-12
DISTRIBUTOR	
GASOLINE AND LPG	4-26
DRIVE AXLE	5-14
DRIVE TIRE AND WHEEL	12-37
E	
ELECTRICAL CONTROL	
GASOLINE	4-18
LPG	4-20
ELECTRICAL SYSTEM	
CHASSIS	4-2
DASH PANEL	4-4
DIESEL	4-22
ENGINE	
GASOLINE AND LPG	4-12
GASOLINE AND LPG	4-8
LPS	
AND EEC	4-14
ENGINE	
COMMON PARTS	
GASOLINE AND LPG	2-16
ENGINE MOUNTS	2-14
EXHAUST	
DIESEL	2-62
OVERHEAD	2-12
EXHAUST GROUP	
GASOLINE AND LPG	
⇒S/N E004V-02789A	2-8
S/N E004V-02790A⇒	2-10
F	
FILTER AND LOCK-OFF VALVE	
LPG	3-8
FLOOR PLATES AND COVERS	1-4
FLYWHEEL HOUSING	
GASOLINE, LPG AND DIESEL	2-30
FORK	
POLISHED FORK WITH FULL BOTTOM TAPER HOOK TYPE	
TWO STAGE FULL FREE-LIFT	10-30
POLISHED WITH FULL BOTTOM TAPER HOOK TYPE	
THREE STAGE FULL FREE-LIFT	11-34
STANDARD TAPER HOOK TYPE (H100-120XM)	
TWO STAGE FULL FREE-LIFT	10-29

TABLE OF CONTENTS (Continued)

DESCRIPTION	PAGE
F (continued)	
STANDARD TAPER HOOK TYPE (S100-120XM)	
THREE STAGE FULL FREE-LIFT	11-33
STANDARD TAPER HOOK TYPE (S70-80XM)	
THREE STAGE FULL FREE-LIFT	11-32
TWO STAGE FULL FREE-LIFT	10-28
TWO STAGE LIMITED FREE-LIFT	
POLISHED WITH FULL BOTTOM TAPER (HOOK TYPE)	9-24
STANDARD TAPER HOOK TYPE (S100-120XM)	9-23
STANDARD TAPER HOOK TYPE (S70-80XM)	9-22
FORKS	
CLASS III	
EUROPE ONLY	11,310-319
CLASS IV	
EUROPE ONLY	11,310-329
FREE-LIFT	
THREE STAGE FULL FREE-LIFT	11-12
FREE-LIFT CYLINDER	
THREE STAGE FULL FREE-LIFT	11-20
TWO STAGE FULL FREE-LIFT	10-16
FRONT HEADLIGHTS	12-40
FUEL FILTER	
LOW PRESSURE SYSTEM	
DIESEL	3-52
FUEL SYSTEM	
DIESEL	3-42
LOW PRESSURE	
D/B 01/2002⇒	3-50
⇒D/B 01/2002	3-48
GASOLINE	3-36
LPG	3-2
FULL SUSPENSION SEAT	
EUROPEAN OPTION	
SHEET 1 OF 2	1-34
SHEET 2 OF 2	1-36
SHEET 1 OF 2	1-20
SHEET 2 OF 2	1-24
FULL SUSPENSION SWIVEL SEAT	
SHEET 1 OF 2	1-26
SHEET 2 OF 2	1-30
G	
GENERAL TRUCK	1-2
GOVERNOR	
LPG	3-12
H	
HEADER HOSE	
THREE STAGE FULL FREE-LIFT	11-24
TWO STAGE FULL FREE-LIFT	10-20

TABLE OF CONTENTS (Continued)

DESCRIPTION	PAGE
H (continued)	
TWO STAGE LIMITED FREE-LIFT.....	9-14
HIGH PRESSURE FUEL INJECTION	
DIESEL	3-54
HOOD.....	1-8
HYDRAULIC CONTROL LINES	8-6
HYDRAULIC CONTROL VALVE	8-22
HYDRAULIC PUMP.....	8-5
HYDRAULIC SUPPLY AND RETURN.....	8-2
I	
INNER MAST	
THREE STAGE FULL FREE-LIFT	11-6
TWO STAGE LIMITED FREE-LIFT.....	9-4
INNER MAST AND FREE-LIFT	
TWO STAGE FULL FREE-LIFT	10-6
INSTRUMENT PANEL.....	4-25
INTEGRAL SIDE-SHIFT	
THREE STAGE FULL FREE-LIFT	
S100-120XM	12-24
S70-80XM	12-22
TWO STAGE FULL FREE-LIFT	
S100-120XM	12-14
S70-80XM	12-12
TWO STAGE LIMITED FREE-LIFT	
S100-120XM	12-4
S70-80XM	12-2
INTEGRAL SIDE-SHIFT CARRIAGE	
1067 MM (42 IN.) CLASS III	
THREE STAGE FULL FREE-LIFT	12-26
TWO STAGE FULL FREE-LIFT	12-16
TWO STAGE LIMITED FREE-LIFT	12-6
1219 MM (48 IN.) CLASS III	
THREE STAGE FULL FREE-LIFT	12-28
TWO STAGE LIMITED FREE-LIFT	12-8
1219 MM (48 IN.) CLASS IV	
THREE STAGE FULL FREE-LIFT	12-30
TWO STAGE FULL FREE-LIFT	12-20
TWO STAGE LIMITED FREE-LIFT	12-10
1219 MM 48 IN. CLASS III	
TWO STAGE FULL FREE-LIFT	12-18
INTERMEDIATE MAST	
THREE STAGE FULL FREE-LIFT	11-4
L	
LABELS.....	1-39
LIFT PUMP	
DIESEL	3-56
LIGHTS BACK-UP AND BRAKE	
WITHOUT HEAVY DUTY AIR INTAKE	

TABLE OF CONTENTS (Continued)

DESCRIPTION	PAGE
L (continued)	
OR OVERHEAD EXHAUST	4-40
LIGHTS REAR DRIVE, BACK-UP AND BRAKE WITH HEAVY DUTY AIR INTAKE OR OVERHEAD EXHAUST	4-38
LOAD BACKREST EXTENSION THREE STAGE FULL FREE-LIFT	11-30
TWO STAGE FULL FREE-LIFT	10-26
TWO STAGE LIMITED FREE-LIFT	9-20
LPG CONVERTER	3-6
LPG FUEL TANK BRACKET BOX CAR SPECIAL FIXED	3-29
FIXED BOX CAR SPECIAL EUROPE	3-32
LPG TANK BRACKET EASY LIFT	3-14
80 BCS	3-18
EUROPE	3-26
EASY LIFT (S3.50/4.00XM BCS) EUROPE	3-22
FIXED NON BOX CAR EUROPE	3-34
⇒Pending Per ECN 82490	3-30
M	
MAIN CYLINDER THREE STAGE FULL FREE-LIFT	11-16
TWO STAGE FULL FREE-LIFT S100-120XM	10-14
S70-80XM	10-10
TWO STAGE LIMITED FREE-LIFT S100-120XM	9-12
S70-80XM	9-10
MAIN LIFT THREE STAGE FULL FREE-LIFT	11-8
TWO STAGE LIMITED FREE-LIFT	9-6
MANIFOLDS DIESEL D/B 01/2002⇒	2-60
⇒D/B 01/2002	2-58
MAST INSTALLATION	8-28
MASTER CYLINDER AND BRAKE BOOSTER	7-14
MONOTROL PEDAL	3-62
N	
NON-SUSPENSION SEAT	1-16
EUROPEAN OPTION	1-18

TABLE OF CONTENTS (Continued)

DESCRIPTION	PAGE
O	
OIL FILTER	
DIESEL	2-56
OIL PAN AND PUMP	
DIESEL	2-44
OIL PUMP	
GASOLINE AND LPG	2-28
OUTER MAST	
THREE STAGE FULL FREE-LIFT	11-2
TWO STAGE LIMITED FREE-LIFT	9-2
OUTER MAST AND MAIN LIFT	
TWO STAGE FULL FREE-LIFT	10-2
OVERHEAD GUARD	1-14
P	
PARK BRAKE LEVER	7-16
PRESSURE REGULATOR	
USED WITH PAPER ROLL	8-30
Q	
QUICK DISCONNECT	12-36
R	
RADIATOR	
GASOLINE AND LPG	2-4
REAR DRIVE LIGHT	
SINGLE	12-42
ROTARY EXHAUSTER	
DIESEL	2-64
S	
SHIFT LEVERS	6-4
STARTER	
DIESEL	4-34
OPTIONAL	4-36
GASOLINE AND LPG	4-28
STEER AXLE	6-6
STEER TIRE AND WHEEL	12-38
STEERING COLUMN	6-2
STEERING CYLINDER	6-10
STROBE LIGHT	
HIGH MOUNT	12-44
LOW MOUNT	12-46
T	
THROTTLE	3-58
THROTTLE BODY INJECTOR	
GASOLINE	3-40
TILT CYLINDER	8-25
TIMING GEAR	
DIESEL	2-42

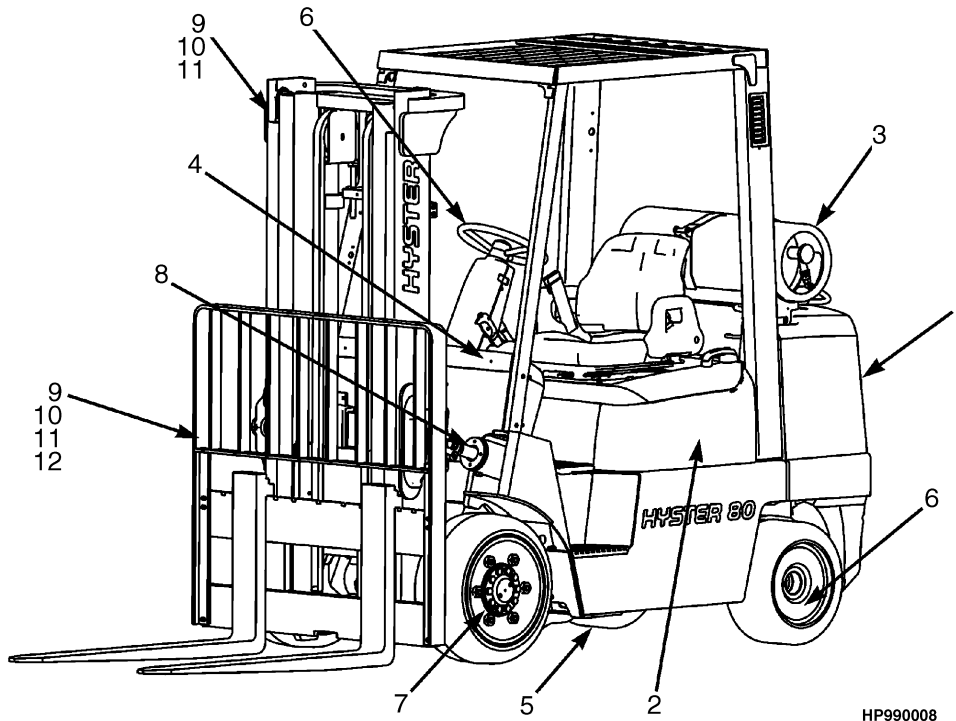
TABLE OF CONTENTS (Continued)

DESCRIPTION	PAGE
T (continued)	
TORQUE CONVERTER.....	5-2
TRANSMISSION	5-4
TRANSMISSION CONTROL VALVE	
SHEET 1 OF 2.....	5-6
SHEET 2 OF 2.....	5-8
TRANSMISSION COOLING AND STEERING LINES	8-10
TUBE EXTENSION KITS	
TWO AND THREE STAGE FULL FREE-LIFT	12-34
V	
VALVE COVER AND INLET MANIFOLD	
GASOLINE AND LPG.....	2-20
VALVE COVER AND ROCKER ARM SHAFT	
DIESEL	2-48
W	
WATER SEPARATOR.....	3-46
WIRE HARNESS	
CHASSIS	
⇒S/N E004V-02288Z.....	4-44
S/N E004V-02289Z⇒.....	4-46
DASH	
⇒S/N E004V-02288Z.....	4-48
S/N E004V02289Z⇒.....	4-50
ENGINE	
DIESEL.....	4-42
GASOLINE	
⇒S/N E004V-02288Z	4-56
S/N E004V-02289Z⇒.....	4-58
LPG	
⇒S/N E004V-02288Z	4-60
S/N E004V-02289Z⇒.....	4-62
LPS	
⇒S/N E004V-02288Z	4-64
S/N E004V-02289Z⇒.....	4-66
POWER DISTRIBUTION GROUP.....	4-52
SEALED ALTERNATOR	4-54

SECTION 1
FRAME

DESCRIPTION	PAGE
BATTERY TRAY LATCH.....	1-6
COUNTERWEIGHT	1-12
FLOOR PLATES AND COVERS	1-4
FULL SUSPENSION SEAT	
EUROPEAN OPTION	
SHEET 1 OF 2	1-34
SHEET 2 OF 2	1-36
SHEET 1 OF 2.....	1-20
SHEET 2 OF 2.....	1-24
FULL SUSPENSION SWIVEL SEAT	
SHEET 1 OF 2.....	1-26
SHEET 2 OF 2.....	1-30
GENERAL TRUCK	1-2
HOOD.....	1-8
LABELS.....	1-39
NON-SUSPENSION SEAT.....	1-16
EUROPEAN OPTION.....	1-18
OVERHEAD GUARD.....	1-14

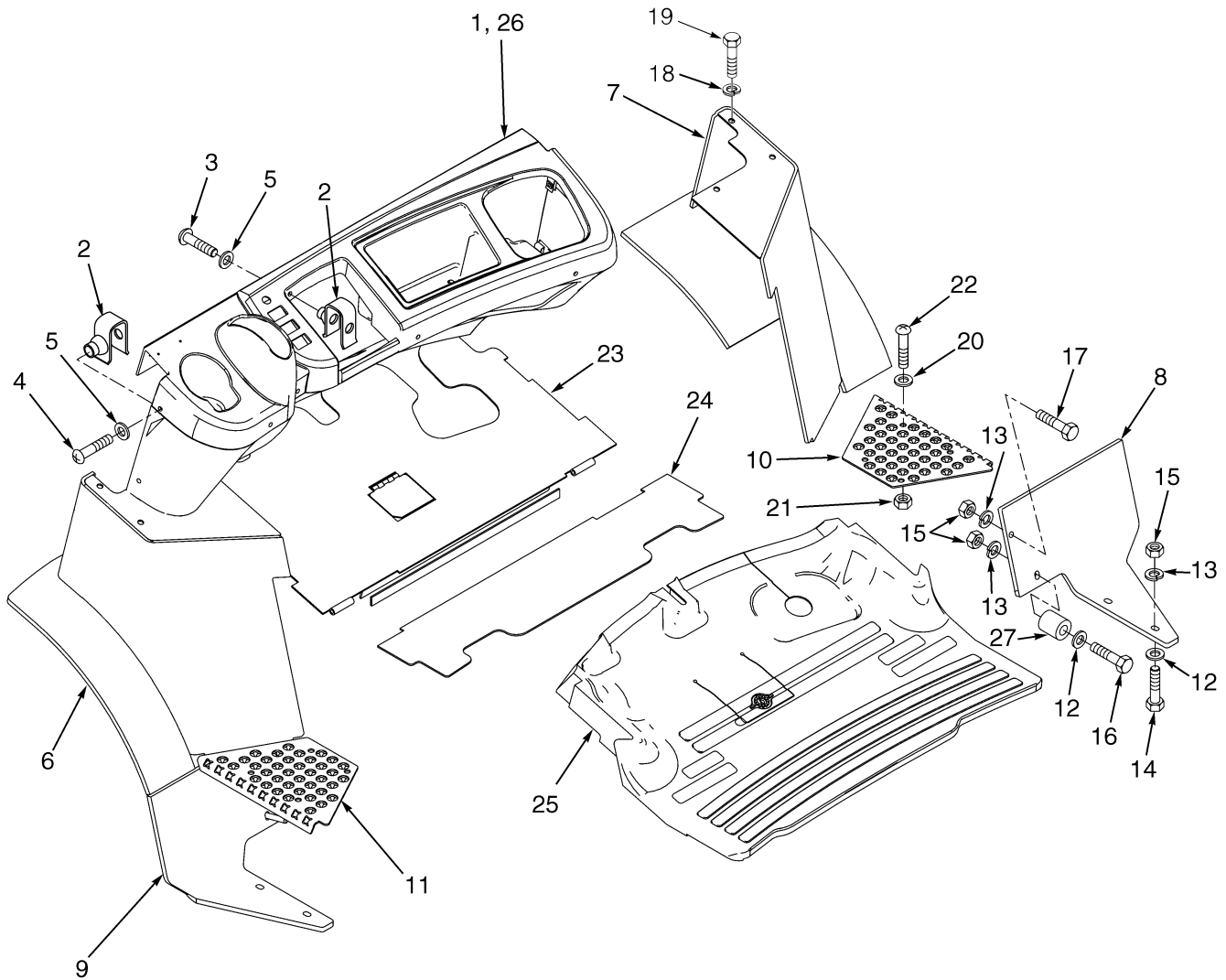
GENERAL TRUCK (Figure 1-1)



HP990008

ITEM	PART NO.	DESCRIPTION	QTY
1	Frame (☞ Figure 1-2)
2	Engine (☞ Figure 2-8)
3	Fuel System (☞ Figure 3-1, ☞ Figure 3-14, ☞ Figure 3-16)
4	Electrical System (☞ Figure 4-2)
5	Transmission (☞ Figure 5-2)
6	Steering System (☞ Figure 6-1)
7	Brake System (☞ Figure 7-1)
8	Hydraulic System (☞ Figure 8-1)
9	Mast-Two Stage Limited Free-Lift (☞ Figure 9-1)
10	Mast-Two Stage Full Free-Lift (☞ Figure 10-1)
11	Mast-Three Stage Full Free-Lift (☞ Figure 11-1)
12	Optional Equipment (☞ Figure 12-19)

FLOOR PLATES AND COVERS (Figure 1-2)



HP120638

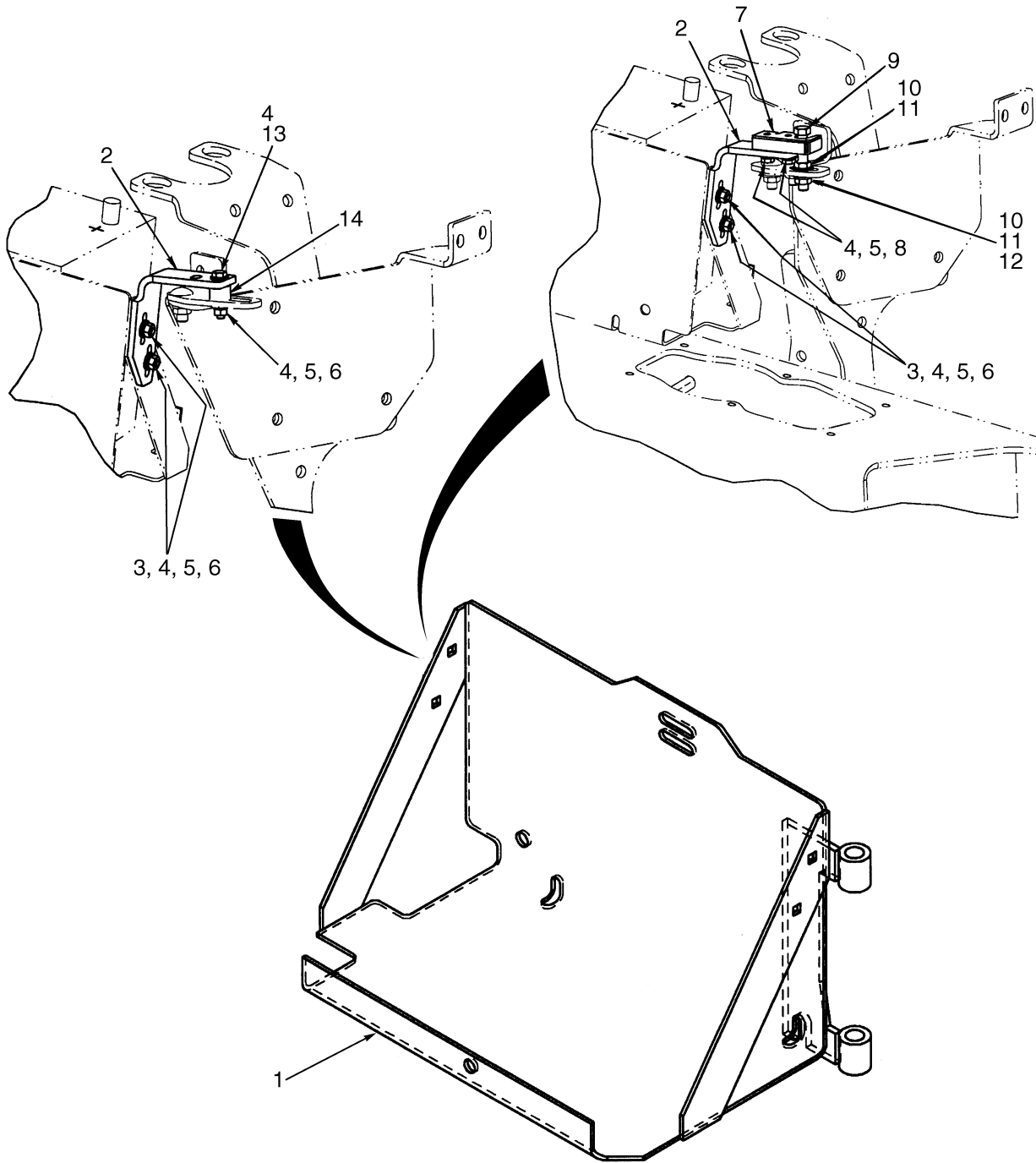
FLOOR PLATES AND COVERS**KEY:****A: Short Wheel Base****B: Long Wheel Base**

ITEM	PART NO.	DESCRIPTION	QTY	
			A	B
1	2043883	Panel (Cowl) (Single Pedal).....	1	1
1	2043882	Panel (Cowl) (Dual Pedal)	1	1
2	1350215	Nut (Foldover).....	6	6
3	1399393	Screw.....	6	6
4	1399395	Screw.....	4	4
5	1399399	Washer	10	10
6	b 1402053	Fender (LH)	1	..
6	a 1402052	Fender (LH)	1	1
6	c 1402051	Fender (LH)	1
7	b 1402083	Fender (RH).....	1	..
7	a 1402082	Fender (RH).....	1	1
7	c 1402081	Fender (RH).....	..	1
8	b 1402113	Fender (Lower LH).....	1	..
8	a 1402112	Fender (Lower LH).....	1	1
8	c 1402111	Fender (Lower LH).....	..	1
9	b 1402117	Fender (Lower RH)	1	..
9	a 1402116	Fender (Lower RH)	1	1
9	c 1402115	Fender (Lower RH)	1
10	1402078	Step Plate (LH)	1	1
11	1402079	Step Plate (RH)	1	1
12	296421	Washer	16	16
13	292682	Lockwasher.....	10	10
14	293631	Capscrew.....	4	4
15	302401	Locknut	10	10
16	293636	Capscrew.....	4	4
17	293629	Capscrew.....	2	2
18	292681	Lockwasher.....	4	4
19	293615	Capscrew.....	4	4
20	296418	Washer	8	8
21	302400	Locknut	8	8
22	296167	Capscrew.....	8	8
23	1510686	Floorplate (Front).....	1	1
24	1510688	Floorplate (Rear)	1	1
25	1402347	Floormat	1	1
26	2043862	Dash Panel (☞ Figure 4-2)	1	1
27	1402100	Spacer (Lower Fender).....	4	4

FOOTNOTES:

- a** Short Wheel Base-Wide Tread, Long Wheel Base-Standard Tread
- b** Standard Tread
- c** Wide Tread

BATTERY TRAY LATCH (Figure 1-3)

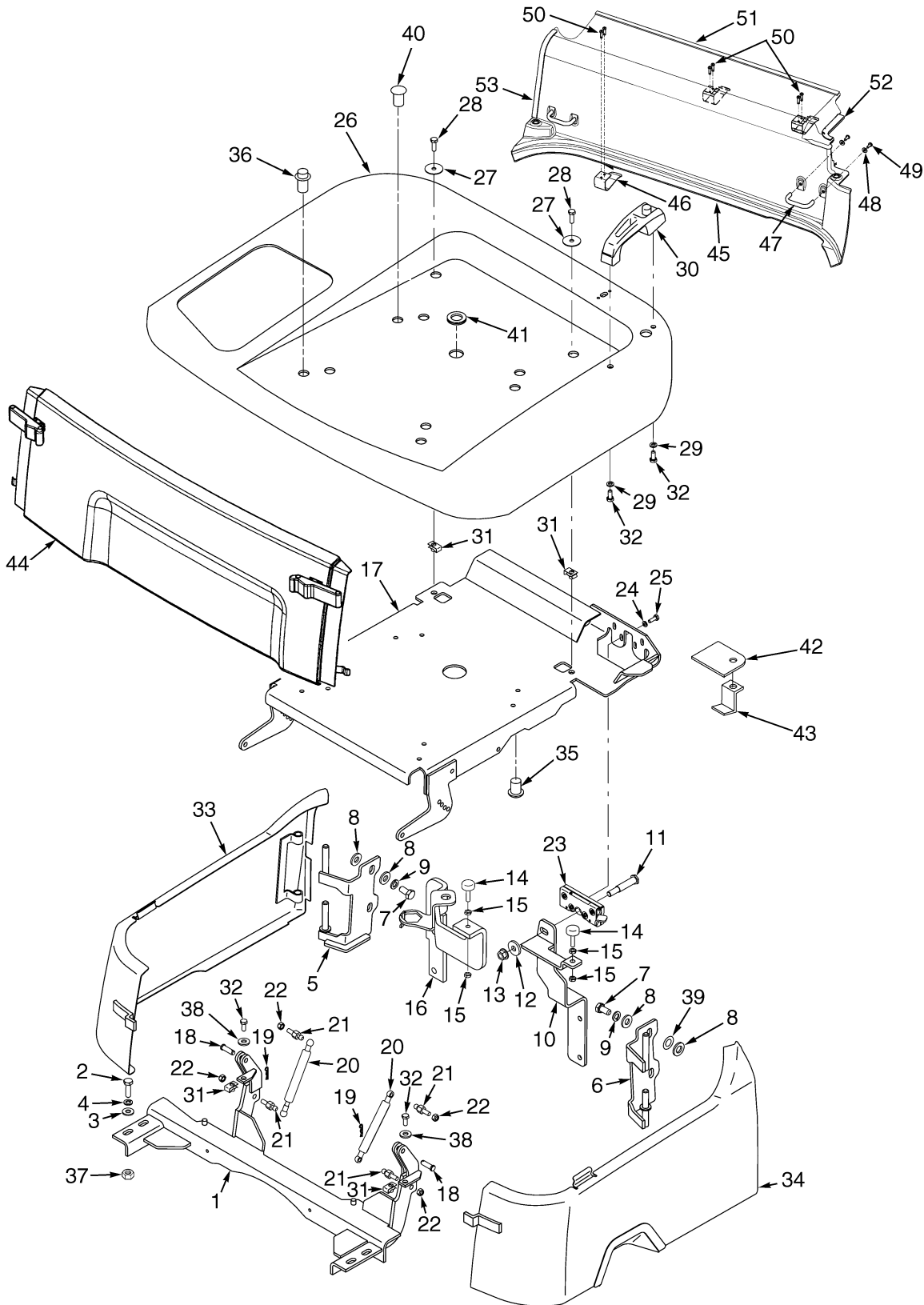


BP080171

BATTERY TRAY LATCH

ITEM	PART NO.	DESCRIPTION	QTY
1	1521295	Tray	1
2	1520689	Latch Bracket.....	1
3	15937	Bolt	2
4	2041014	Washer	4
5	15154	Lockwasher.....	4
6	15054	Nut	2
7	1476422	Latch (Rotary).....	1
8	18462	Capscrew.....	2
9	16379	Capscrew.....	1
10	15134	Washer	2
11	15086	Nut	2
12	15156	Lockwasher.....	1
13	18468	Capscrew (Five Function Only)	1
14	1510675	Spacer (Five Function Only)	1

HOOD (Figure 1-4)



HP120666

HOOD

ITEM	PART NO.	DESCRIPTION	QTY
1	1402457	Crossmember	1
2	287860	Capscrew	4
3	320160	Washer	8
4	292682	Lockwasher	8
5	1402458	Bracket (Hinge Pin RH)	1
6	1402459	Bracket (Hinge Pin LH)	1
7	132860	Capscrew	4
8	320162	Washer	4
9	292683	Lockwasher	4
10	1521435	Bracket (Striker)	1
11	1401006	Striker Bolt	1
12	1371414	Washer	1
13	300937	Locknut	1
14	1347088	Stop Screw	1
15	15001	Nut	4
16	1510393	Bracket	1
17	1402456	Seat Pan	1
18	237947	Pin	2
19	1362714	Cotter Pin	2
20	1377992	Gas Spring	2
21	1518872	Ball Stud	3
22	302400	Locknut	4
23	1401003	Hood Latch	1
24	320156	Washer	4
25	199563	Capscrew	4
26	1401061	Hood	1
26	1511828	Liner	1
27	1402455	Washer	2
28	1354380	Capscrew	2
29	292681	Lockwasher	2
30	1401008	Handle	1
30	1513862	Handle (EEC)	1
30	1513865	Key	1
31	1398062	Nut	4
32	136681	Capscrew	4
33	1528637	Panel (RH)	1
33	a 1541151	Panel (RH)	1
34	1528639	Panel (LH) (Gasoline and Diesel)	1
34	1528638	Panel (LH) (LPG)	1
34	a 1541148	Panel (LH) (Gasoline/Diesel)	1
34	a 1541147	Panel (LH) (LPG)	1
35	1361087	Button	6
36	280644	Button	4
37	136692	Nut	4
38	320158	Washer	4
39	1392740	Shim (0,991 mm)	AR
40	1347045	Fastener	4
41	1359587	Grommet	1
42	1513948	Plate	1
43	1513950	Bracket	1
44	1528636	Panel (Center Front)	1

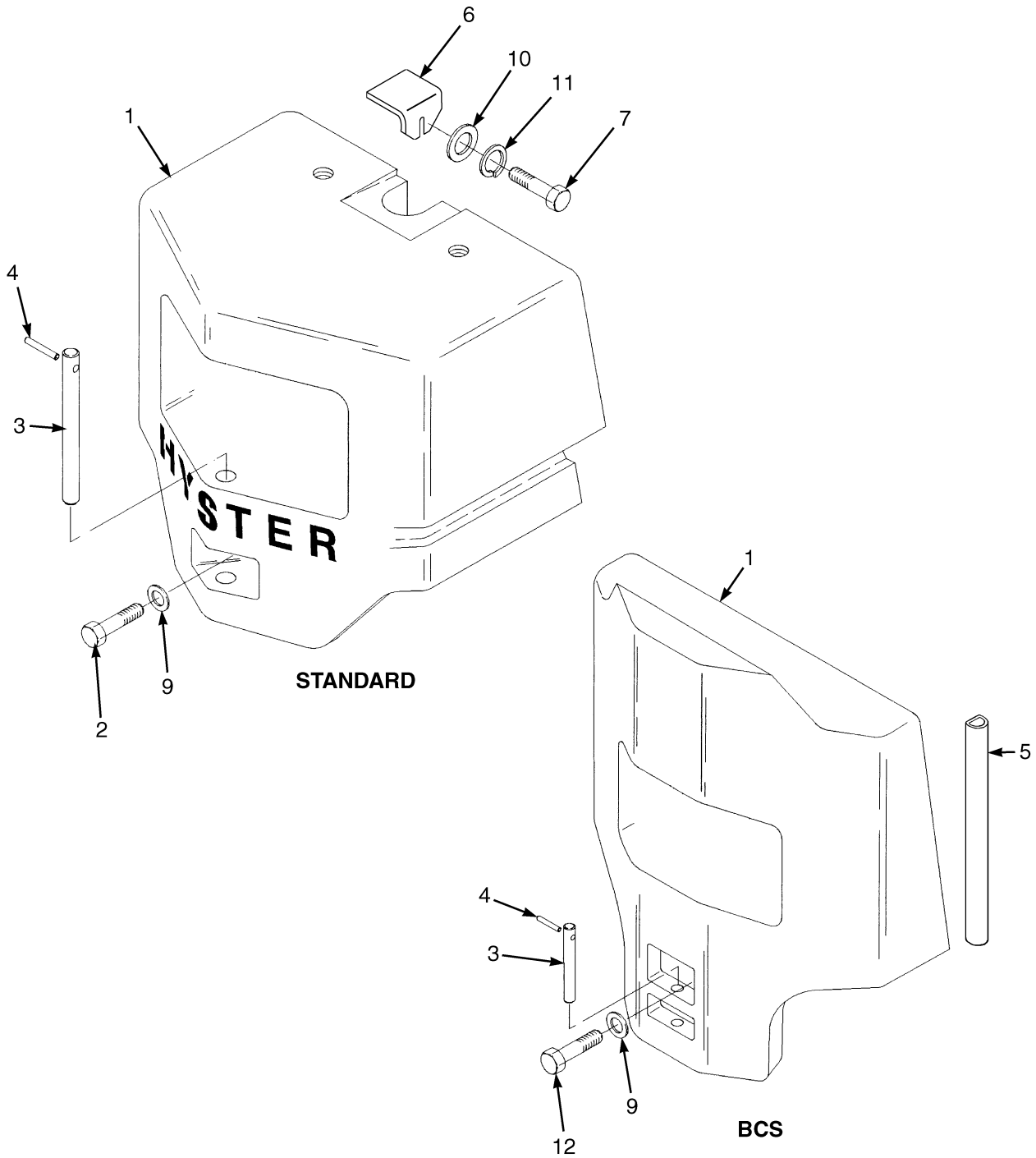
HOOD

ITEM	PART NO.	DESCRIPTION	QTY
45	1401063	Radiator Cover Assembly (Counterweight Exhaust).....	1
45	1401066	Radiator Cover	1
45	1401064	Radiator Cover Assembly (Overhead Exhaust)	1
45	1401067	Radiator Cover	1
45	1401093	Radiator Cover Assembly (Box Car Special)	1
45	1401091	Radiator Cover	1
46	1401095	Clip	3
47	1401096	Handle	2
48	197067	Washer	4
49	16708	Screw	4
50	22029	Rivet	6
51	1401004	Trim Seal	AR
52	2050644	Trim Seal	AR
53	1401005	Trim Seal	AR

FOOTNOTES:

- a Vented Hood Option

COUNTERWEIGHT (Figure 1-5)

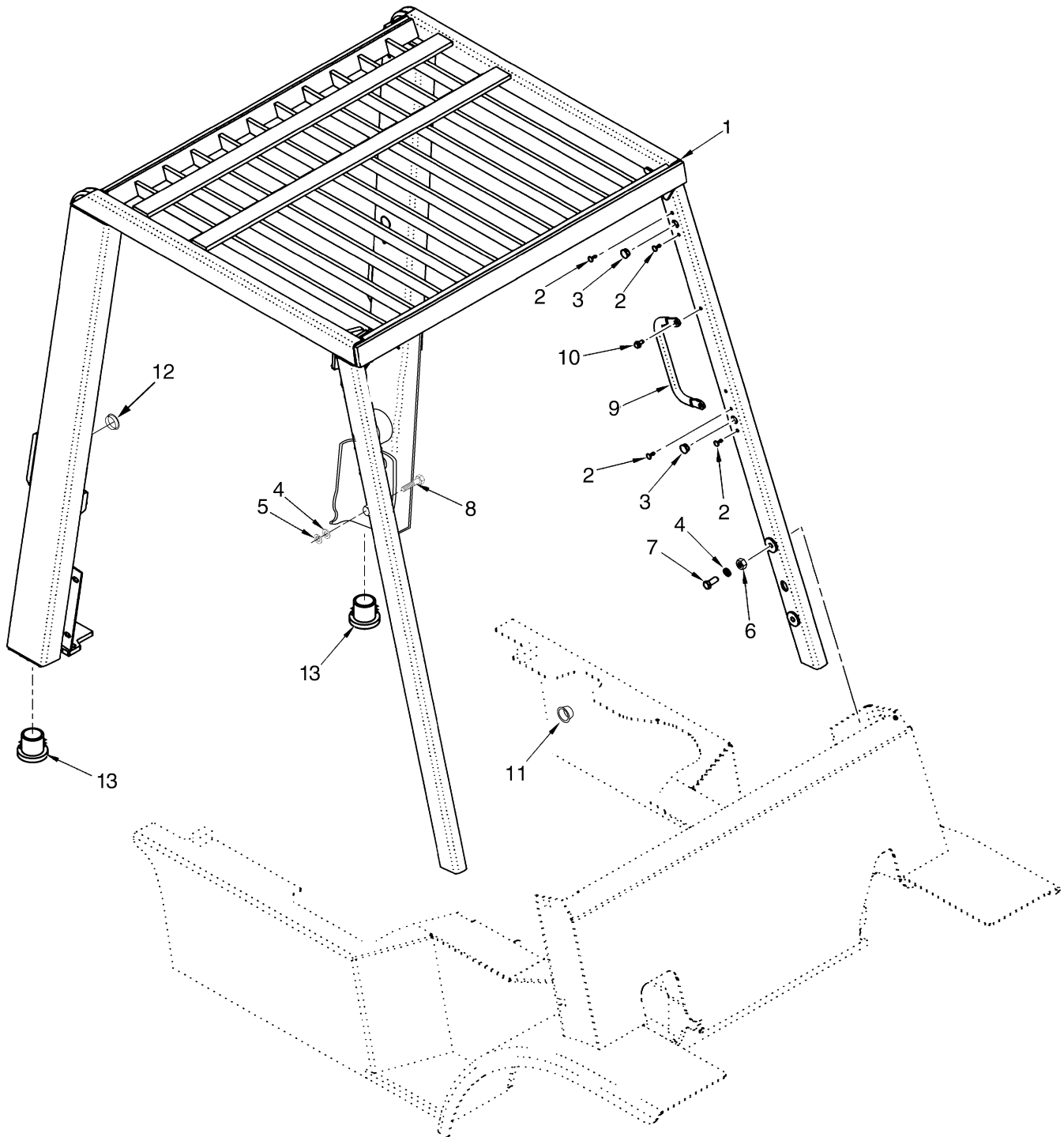


HP120721

COUNTERWEIGHT

ITEM	PART NO.	DESCRIPTION	QTY
1	1401505	Counterweight	1
1	1401506	Counterweight (80XM).....	1
1	1532309	Counterweight (S80XM-BCS).....	1
1	1401507	Counterweight (100XM).....	1
1	1532310	Counterweight (S100XM-BCS).....	1
1	1401508	Counterweight (120XM).....	1
1	1532311	Counterweight (S120XMS).....	1
1	1536650	Counterweight (S120XMS-PRS)	1
2	17393	Capscrew (Standard).....	1
3	1300121	Tow Pin (BCS)	1
3	1401579	Tow Pin (Standard)	1
4	302492	Pin	1
5	1401583	Seal (100XM-120XM)	2
5	1401586	Seal (70XM-80XM, S80XM-BCS-S100XM-BCS)	2
5	1401585	Seal (S120XM-BCS-S120XM-PRS)	2
6	1335763	Shim (2,769 mm)	4
7	132861	Capscrew.....	4
8	15168	Lockwasher.....	1
9	149531	Washer	10
10	320158	Washer	2
11	292681	Lockwasher.....	2
12	17384	Capscrew (BCS).....	1

OVERHEAD GUARD (Figure 1-6)

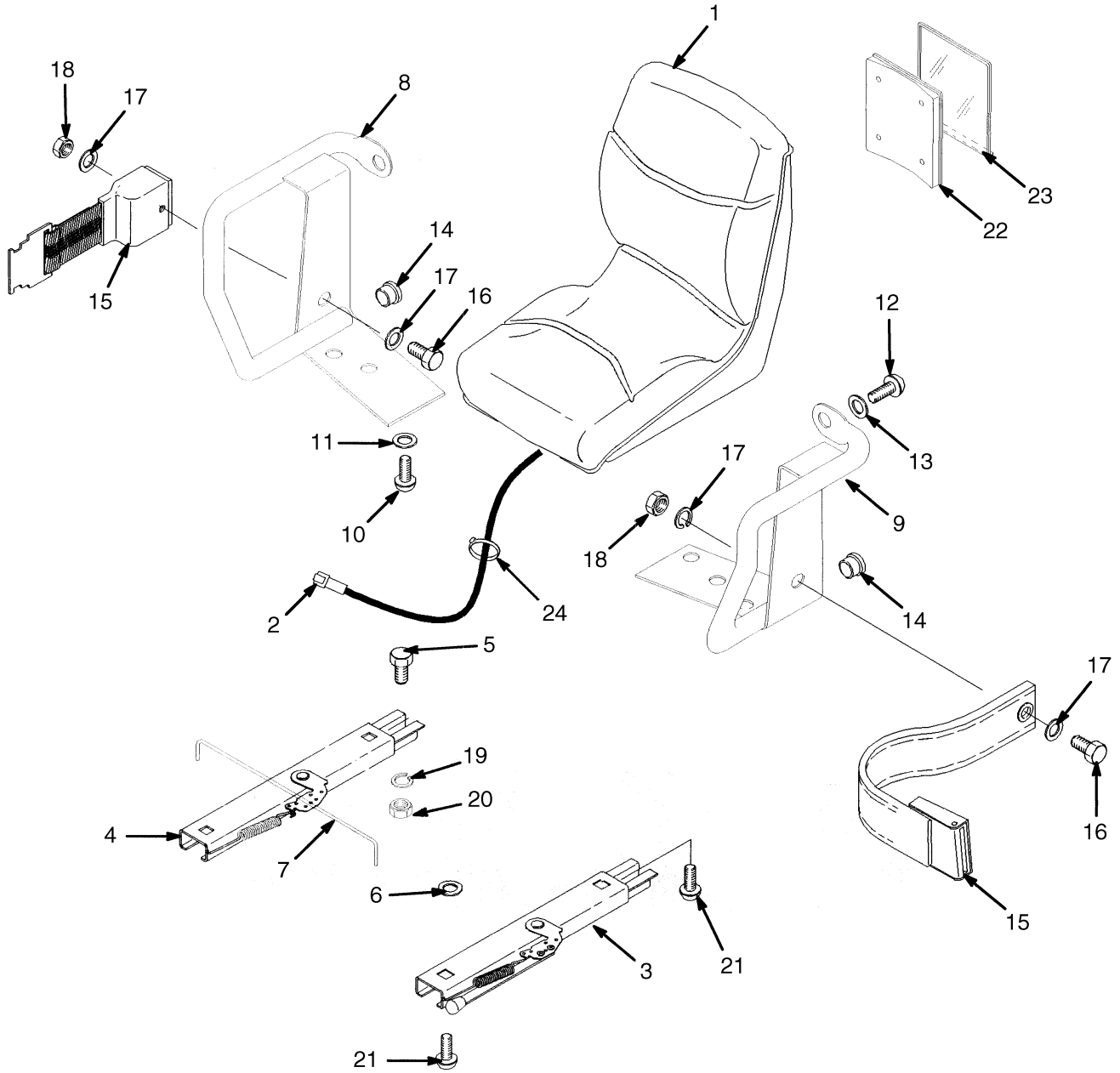


BP120026

OVERHEAD GUARD

ITEM	PART NO.	DESCRIPTION	QTY
1	1466772	Overhead Guard (Standard)	1
1	1466773	Overhead Guard (Reduced Height)	1
2	1363916	Plug	12
2	1363916	Plug (Type EEC)	16
3	1363917	Plug	5
4	320161	Washer	12
5	292683	Lockwasher	4
6	300937	Locknut	4
7	1343990	Capscrew	4
8	293644	Capscrew	4
9	2035800	Handle	1
10	316678	Screw	2
11	1151313	Cap	2
12	1538159	Plug (Type EEC)	2
13	1356377	Plug	2

NON-SUSPENSION SEAT (Figure 1-7)



HP120657

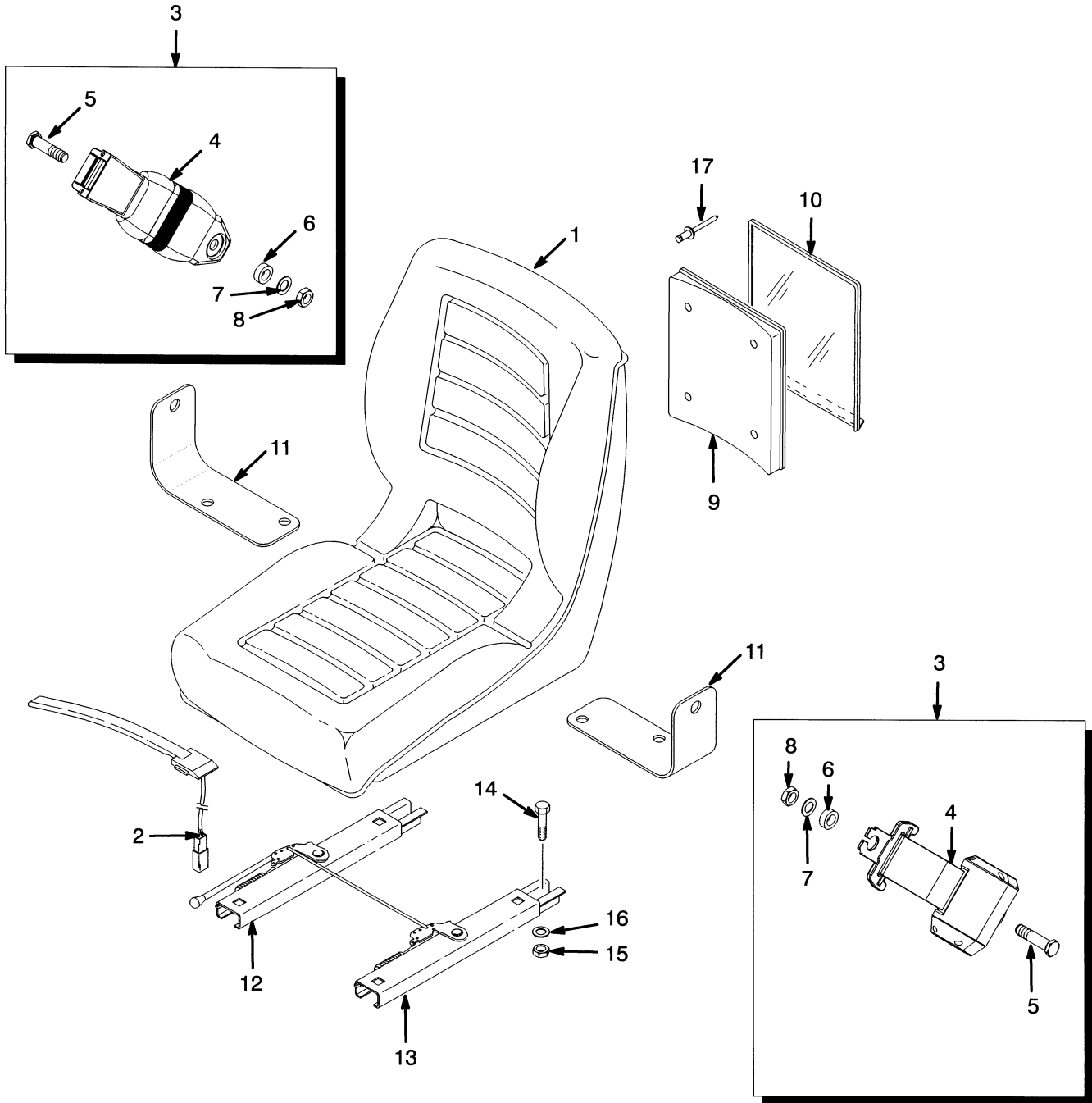
NON-SUSPENSION SEAT

ITEM	PART NO.	DESCRIPTION	QTY
	1375150	Seat Assembly (Vinyl).....	1
	1375607	Seat Assembly (Cloth).....	1
1	1351473	Seat.....	1
1	1351431	Seat.....	1
1	1351474	Seat.....	1
1	1351432	Seat.....	1
2	1354140	Switch Assembly.....	1
3	335553	Seat Rail.....	1
4	383116	Seat Rail.....	1
5	364914	Capscrew.....	4
6	221733	Washer.....	2
7	1300107	Rod.....	1
8	364807	Hip Restraint.....	1
9	364808	Hip Restraint.....	1
10	18727	Capscrew.....	4
11	18515	Washer.....	4
12	379197	Capscrew.....	2
13	379198	Washer.....	2
14	364854	Plug.....	2
15	1374750	Seat Belt.....	1
16	379199	Capscrew.....	2
17	379697	Washer.....	4
18	379698	Nut.....	2
19	15175	Washer.....	4
20	145639	Nut.....	4
21	18498	Capscrew.....	4
22	Base.....	1
23	335991	Cover.....	1
24	a 137852	Strap Clamp.....	1

FOOTNOTES:

a S/N E004V-01501Y ⇒

NON-SUSPENSION SEAT (Figure 1-8) EUROPEAN OPTION

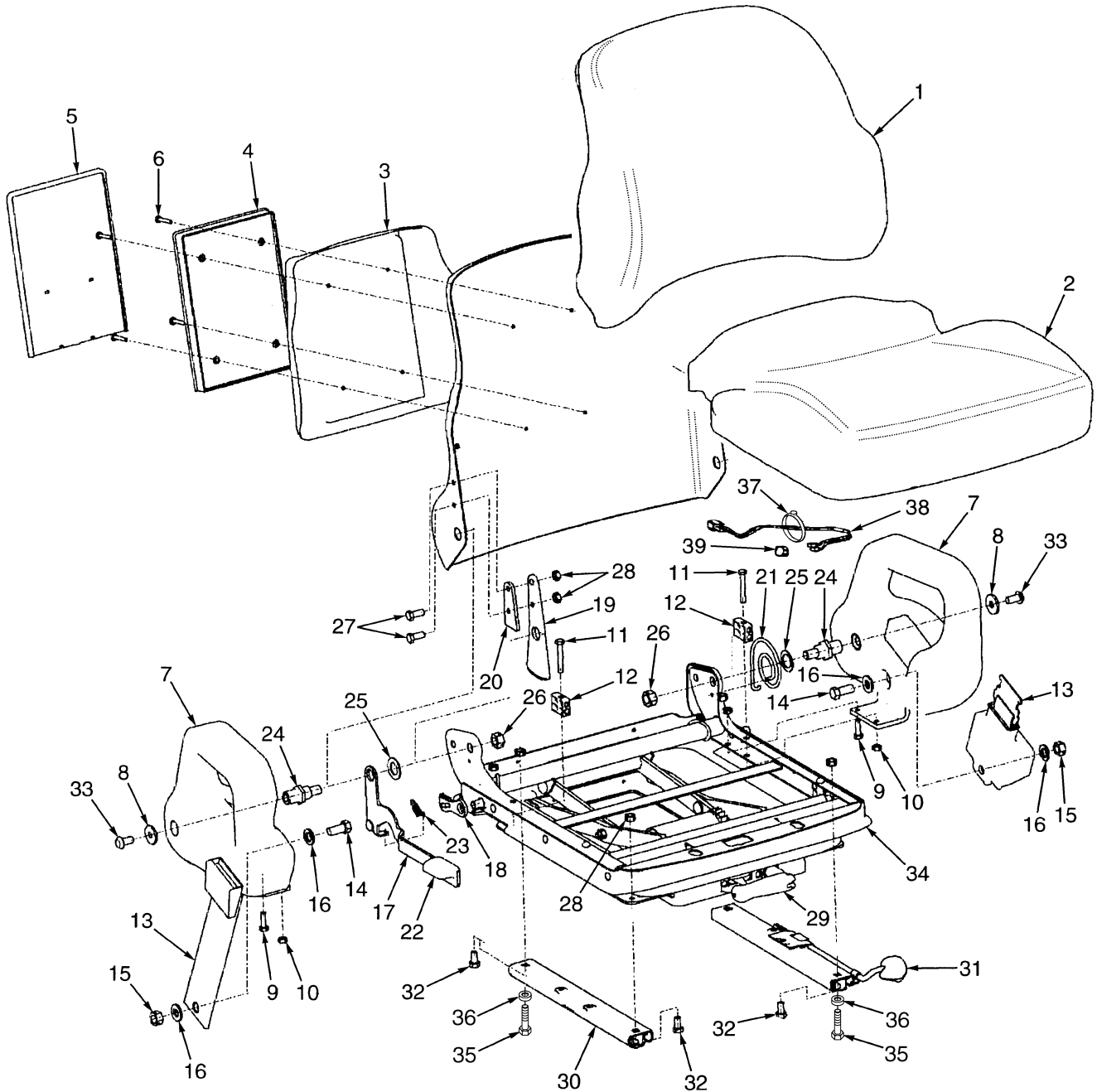


HP120453

**NON-SUSPENSION SEAT
EUROPEAN OPTION**

ITEM	PART NO.	DESCRIPTION	QTY
	1460231	Non-Suspension Seat.....	1
1	364911	Seat.....	1
2	2037311	Switch Assembly	1
3	1461081	Seat Belt Kit.....	1
4	Seat Belt	1
5	Screw	2
6	Washer.....	2
7	Washer.....	2
8	Nut	2
9	335988	Base	1
10	335991	Cover	1
11	1470175	Bracket	1
12	1470176	Seat Rail.....	1
13	1470177	Seat Rail.....	1
14	18498	Capscrew.....	4
15	145639	Nut	4
16	15175	Washer	4
17	Rivet.....	4

FULL SUSPENSION SEAT (Figure 1-9) SHEET 1 OF 2



HP120659



Suggest:

For more complete manuals. Please go to the home page.

<https://www.ebooklibonline.com>

If the above button click is invalid. Please download this document first, and then click the above link to download the complete manual.

Thank you so much for reading

**FULL SUSPENSION SEAT
SHEET 1 OF 2**

ITEM	PART NO.	DESCRIPTION	QTY
	1468473	Seat Assembly (Fabric)	1
	1468472	Seat Assembly (Vinyl).....	1
1	1470153	Back Cushion (Cloth)	1
1	1470152	Back Cushion (Vinyl)	1
2	1494077	Seat Cushion (Cloth).....	1
2	1467514	Switch (Seat).....	1
2	1467515	Wire Harness	1
2	1494076	Seat Cushion (Vinyl).....	1
3	Riser	1
4	Box	1
5	Cover	1
6	Screw	4
7	Hip Restraint (RH)	1
7	Hip Restraint (LH).....	1
8	Washer	2
9	Bolt	2
10	Nut.....	4
11	Bolt	2
12	Block.....	2
13	Seat Belt.....	1
14	Bolt	2
15	Nut.....	2
16	Washer	4
17	Handle	1
18	Latch.....	1
19	Bracket	1
20	Spacer	1
21	Spring.....	1
22	Knob.....	1
23	Spring Extension	1
24	Pivot	2
25	Washer	2
26	Nut.....	2
27	Bolt	2
28	Nut.....	6
29	1470163	Weight Adjuster Kit.....	1
30	Slide (RH).....	1
31	Slide (LH)	1
32	Bolt	4
33	Screw	2
34	1470159	Suspension Kit.....	1
35	15175	Washer	2
36	145639	Nut	2
37	a 137852	Strap Clamp.....	1
38	1467515	Wire Harness.....	1
39	1467514	Switch (Seat)	1
	1470155	Manual Holder Kit (Includes Items 3-6)	1
	1470156	Hip Restraint Kit (RH) (Includes Items 7-12, 33)	1
	1470157	Hip Restraint Kit (LH) (Includes Items 7-12, 33)	1
	1470158	Seat Belt Kit (Includes Items 13-16)	1

FULL SUSPENSION SEAT SHEET 1 OF 2

ITEM	PART NO.	DESCRIPTION	QTY
	1470164	Recliner Kit (Includes Items 17-28)	1
	1470161	Slide Kit (Includes Items 30-32).....	1

FOOTNOTES:

a S/N E004V-01501Y ⇒

<https://www.ebooklibonline.com>

Hello dear friend!

Thank you very much for reading.

Enter the link into your browser.

The full manual is available for immediate download.

<https://www.ebooklibonline.com>