

PARTS MANUAL

CHALLENGER

**H1.50-1.75XM, H2.00XMS
(E001)**

CUSTOMER EDITION

HYSTER

SECTIONS

1	FRAME
2	ENGINES
3	FUEL SYSTEM
4	ELECTRICAL SYSTEM
5	TRANSMISSION
6	STEERING SYSTEM
7	BRAKE SYSTEM
8	HYDRAULIC SYSTEM
9	MAST-TWO STAGE LIMITED FREE-LIFT
10	MAST-TWO STAGE FULL FREE-LIFT
11	MAST-THREE STAGE FULL FREE-LIFT
12	OPTIONS
13	NUMERICAL INDEX

TABLE OF CONTENTS

DESCRIPTION	PAGE
A	
AIR FILTER	
DIESEL	3-10
LPG	3-8
ALTERNATOR	
LPG AND DIESEL	4-34
AUXILIARY TUBES	
TWO AND THREE STAGE FULL FREE-LIFT	
FOUR FUNCTION GROUP	12-18
THREE FUNCTION GROUP	12-16
TWO STAGE LIMITED FREE-LIFT	
THREE FUNCTION GROUP	12-14
B	
BACK-UP ALARM	12-46
BATTERY	4-18
BRAKE ASSEMBLY	7-6
BRAKE LINES	7-4
BRAKE LINKAGE	7-2
BRAKE MASTER CYLINDER	7-12
C	
CAMSHAFT AND VALVES	
DIESEL	2-34
LPG	2-10
CARBURETOR	
LPG	3-18
CARRIAGE	
THREE STAGE FULL FREE-LIFT	11-18
TWO STAGE FULL FREE-LIFT	10-20
TWO STAGE LIMITED FREE-LIFT	9-12
CHARGE PUMP	5-4
CONNECTING HOSES	8-26
CONTROL VALVE	5-16
FOUR FUNCTION	
SINGLE RELIEF	8-22
THREE FUNCTION	
SINGLE RELIEF	8-16
COOLING SYSTEM	
DIESEL	2-40
LPG	2-20
COUNTERWEIGHT	1-22
COUNTERWEIGHT EXHAUST	
LPG	2-48
CRANKSHAFT AND PISTON	
DIESEL	2-32
LPG	2-8
CYLINDER BLOCK	
DIESEL	2-28
LPG	2-4
CYLINDER HEAD	

<https://www.ebooklibonline.com>

Hello dear friend!

Thank you very much for reading.

Enter the link into your browser.

The full manual is available for immediate download.

<https://www.ebooklibonline.com>

TABLE OF CONTENTS (Continued)

DESCRIPTION	PAGE
C (continued)	
DIESEL	2-26
LPG.....	2-2
D	
DIFFERENTIAL.....	5-18
DISTRIBUTOR	
LPG.....	4-28
DRIVE AXLE	5-20
DRIVE TIRE AND WHEEL	
SIT-SOLID TYRE.....	12-22
WATTS BRAND	12-20
DRIVE WHEEL AND TIRE	
RADIAL	12-23
DRIVE, REAR LIGHTS, AND SPOTLIGHT	
⇒S/N E001B-04795A.....	12-30
S/N E001B-04796A⇒.....	12-32
E	
ELECTRICAL	
COWL	4-8
ELECTRICAL SYSTEM	
DIESEL	4-6
LPG.....	4-2
END PLATE	5-22
ENGINE COVER.....	1-8
ENGINE ELECTRICAL SYSTEM	
DIESEL	2-44
LPG.....	2-14
ENGINE MOUNT	
DIESEL	2-46
LPG.....	2-24
EXHAUST	
DIESEL	2-50
F	
FENDER.....	1-4
FORKS	
POLISHED WITH FULL BOTTOM TAPER	1-31
STANDARD.....	1-30
FRAME AND FLOORPLATE	1-2
FREE LIFT	
THREE STAGE FULL FREE-LIFT	11-10
TWO STAGE FULL FREE-LIFT	10-8
FREE-LIFT CYLINDER	
THREE STAGE FULL FREE-LIFT	11-16
TWO STAGE FULL FREE-LIFT	10-18
FUEL FILTER	
DIESEL	3-28
FUEL SYSTEM	

TABLE OF CONTENTS (Continued)

DESCRIPTION	PAGE
F (continued)	
DIESEL	3-24
LPG	3-14
LPG ENGINE	2-16
FUEL TANK AND LINES	
DIESEL	3-32
G	
GOVERNOR	
LPG	3-22
H	
HEADER HOSE	
FOUR FUNCTION	
TWO STAGE FULL FREE-LIFT	10-26
TWO STAGE LIMITED FREE-LIFT	9-16
THREE AND FOUR FUNCTION	
THREE STAGE FULL FREE-LIFT	11-20
THREE FUNCTION	
TWO STAGE FULL FREE-LIFT	10-22
TWO STAGE LIMITED FREE-LIFT	9-14
HYDRAULIC CLUTCH	5-14
HYDRAULIC PUMP	
LOW NOISE	
DIESEL	8-8
LPG AND DIESEL	8-6
HYDRAULICS GROUP	8-2
I	
INJECTION PUMP	
DIESEL	3-30
INNER MAST	
THREE STAGE FULL FREE-LIFT	11-6
TWO STAGE FULL FREE-LIFT	10-4
TWO STAGE LIMITED FREE-LIFT	9-4
INSTRUMENT CLUSTER	
⇒S/N E001B-05125A	4-12
S/N E001B-05126A⇒	4-14
INTAKE AND EXHAUST MANIFOLD	
DIESEL	2-36
LPG	2-12
INTEGRAL SIDE-SHIFT CARRIAGE	
TWO AND THREE STAGE FULL FREE-LIFT	12-8
TWO STAGE LIMITED FREE-LIFT	12-6
INTEGRAL SIDE-SHIFT CYLINDER	12-10
INTEGRAL SIDE-SHIFT HYDRAULIC HOSES	
TWO AND THREE STAGE FULL FREE-LIFT	12-12
TWO STAGE LIMITED FREE-LIFT	12-11
INTERMEDIATE MAST	
THREE STAGE FULL FREE-LIFT	11-4

TABLE OF CONTENTS (Continued)

DESCRIPTION	PAGE
L	
LABELS.....	1-19
LEVER	
FORWARD AND REVERSE.....	4-16
LIFT CYLINDER	
LEFT HAND	
TWO STAGE LIMITED FREE-LIFT.....	9-8
RIGHT HAND	
TWO STAGE LIMITED FREE-LIFT.....	9-10
LIGHTS BACK-UP AND BRAKE	
S/N E001B06076B⇒.....	12-40
LOAD BACKREST EXTENSION.....	1-28
M	
MAIN CYLINDER	
LEFT HAND	
THREE STAGE FULL FREE-LIFT.....	11-12
TWO STAGE FULL FREE-LIFT	
⇒S/N A558B03806.....	10-10
S/N A558B03807⇒.....	10-12
RIGHT HAND	
THREE STAGE FULL FREE-LIFT.....	11-14
TWO STAGE FULL FREE-LIFT	
⇒S/N A558B03806.....	10-14
S/N A558B03807⇒.....	10-16
MAIN LIFT	
THREE STAGE FULL FREE-LIFT.....	11-8
TWO STAGE FULL FREE-LIFT.....	10-6
TWO STAGE LIMITED FREE-LIFT.....	9-6
MAST INSTALLATION.....	8-28
MIRROR.....	12-47
MONOTROL PEDAL.....	3-4
N	
NOISE REDUCTION	
ENGINE COVER.....	1-26
FRAME.....	1-24
NOZZLE HOLDER	
DIESEL.....	3-26
O	
OIL PUMP AND FILTER	
DIESEL.....	2-38
LPG.....	2-18
OUTER MAST	
THREE STAGE FULL FREE-LIFT.....	11-2
TWO STAGE FULL FREE-LIFT.....	10-2
TWO STAGE LIMITED FREE-LIFT.....	9-2
OVERHEAD GUARD.....	1-6

TABLE OF CONTENTS (Continued)

DESCRIPTION	PAGE
P	
PARK BRAKE LEVER	7-10
PUMP DRIVE	
LPG AND DIESEL	8-10
R	
RADIATOR AND HOSES	
DIESEL	2-42
LPG	2-22
REAR DRIVE LIGHT	
S/N E001B-04976A⇒	12-34
REGULATOR	
LPG	3-20
S	
SEAT	
NON-SUSPENSION	1-16
SUSPENSION	
SHEET 1 OF 2	1-12
SHEET 2 OF 2	1-14
SIDE-SHIFT CARRIAGE	12-2
SIDE-SHIFT CYLINDER	12-4
SIDELIGHT	
⇒S/N E001B-04795A	12-26
S/N E001B-04796A⇒	12-28
SOLENOID VALVE	
⇒S/N E001B04762A (Diesel), ⇒S/N E001B04891A (LPG)	5-5
STARTER MOTOR	
DIESEL	4-32
LPG	4-30
STEER TIRE AND WHEEL	12-24
STEERING COLUMN	6-2
STEERING CYLINDER	6-8
STEERING HAND PUMP	6-4
STROBE LIGHT	12-36
T	
TAIL LIGHT	
⇒S/N E001B-04795A	12-38
TANK	
LPG	3-12
THROTTLE ASSEMBLY	3-2
THROTTLE LINKAGE	
DIESEL	3-7
LPG	3-6
TILT CYLINDER	8-30
TIMING GEAR COVER AND OIL SUMP	
DIESEL	2-30
LPG	2-6
TORQUE CONVERTER	5-2
TRAIL AXLE	6-6

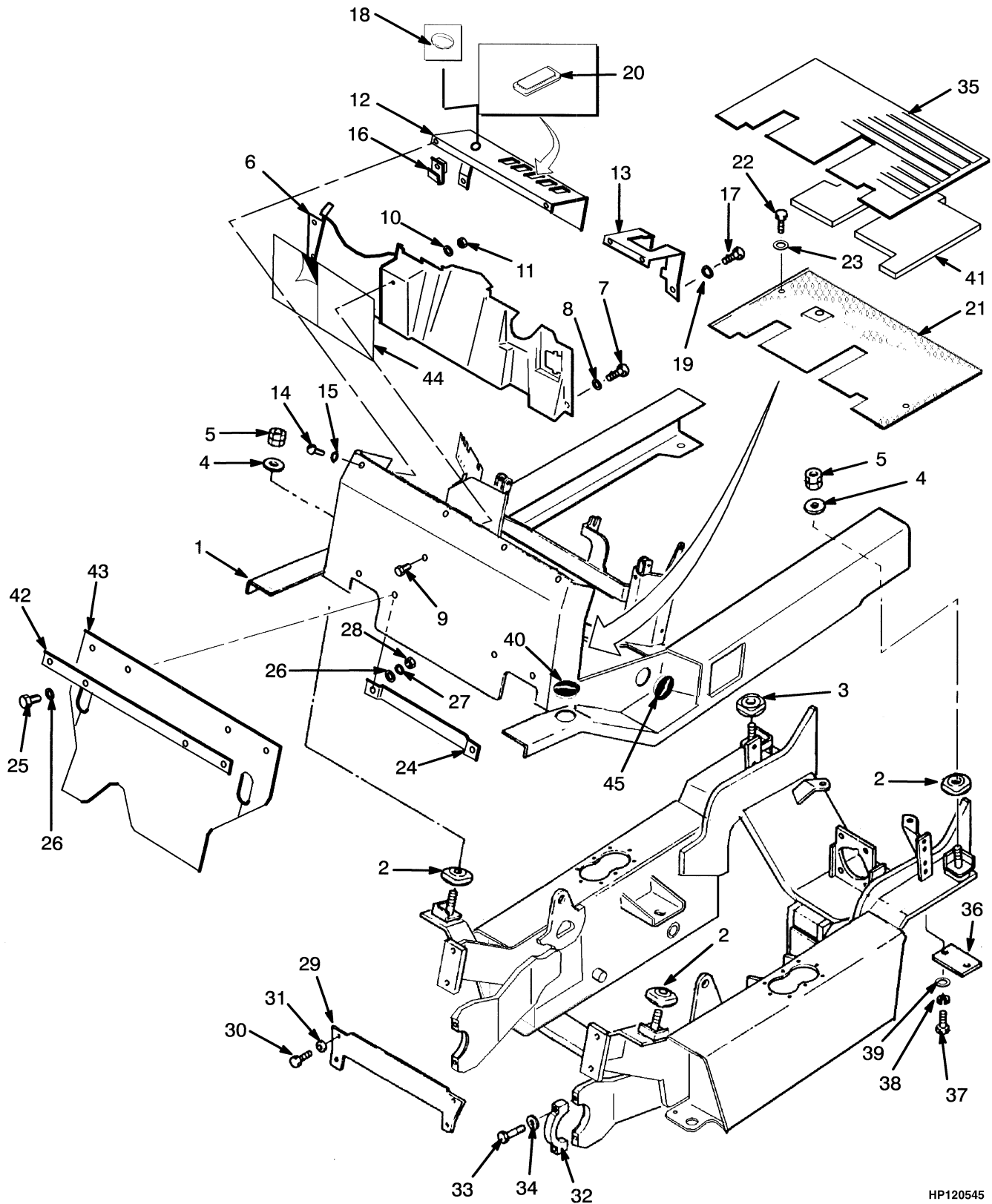
TABLE OF CONTENTS (Continued)

DESCRIPTION	PAGE
T (continued)	
TRANSMISSION GEARS.....	5-10
TRANSMISSION HOUSING	5-6
TRANSMISSION HYDRAULIC LINES	5-12
U	
UPSWEPT EXHAUST	
DIESEL	2-54
LPG.....	2-52
V	
VALVE ATTACHING PARTS	
FOUR FUNCTION	8-20
THREE FUNCTION	8-12
W	
WIRE HARNESS	
CHASSIS	
DIESEL.....	4-27
LPG	4-24
COWL	4-20
FORWARD AND REVERSE.....	4-22
LPG.....	4-25
MONOTROL PEDAL.....	4-23
REAR LIGHT	
S/N E001B06076B⇒.....	12-44
SEAT SWITCH.....	4-26
TAIL LIGHT	
⇒S/N E001B-04795A	12-42

SECTION 1
FRAME

DESCRIPTION	PAGE
COUNTERWEIGHT	1-22
ENGINE COVER	1-8
FENDER.....	1-4
FORKS	
POLISHED WITH FULL BOTTOM TAPER	1-31
STANDARD.....	1-30
FRAME AND FLOORPLATE	1-2
LABELS.....	1-19
LOAD BACKREST EXTENSION.....	1-28
NOISE REDUCTION	
ENGINE COVER	1-26
FRAME	1-24
OVERHEAD GUARD.....	1-6
SEAT	
NON-SUSPENSION	1-16
SUSPENSION	
SHEET 1 OF 2	1-12
SHEET 2 OF 2	1-14

FRAME AND FLOORPLATE (Figure 1-1)



HP120545

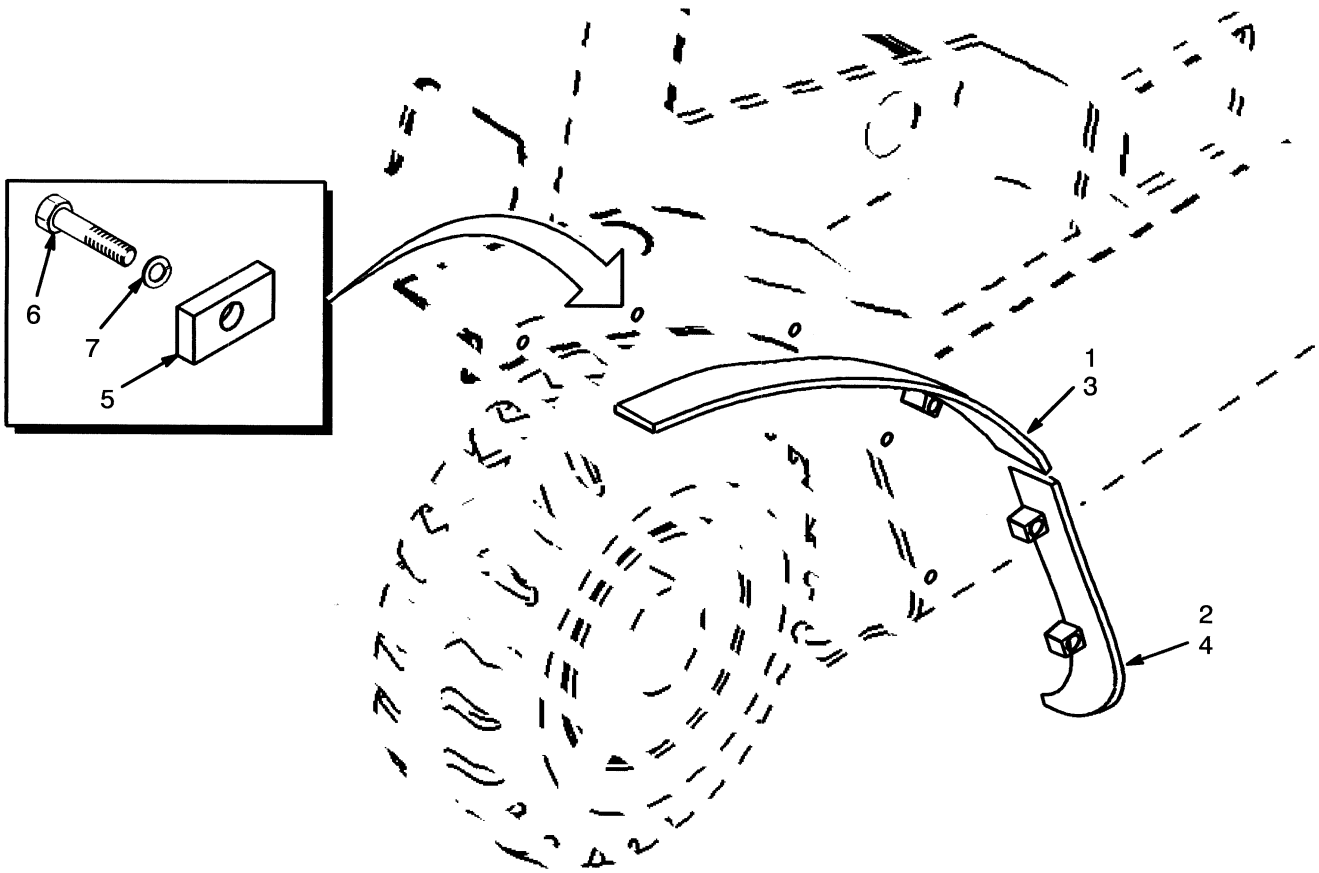
FRAME AND FLOORPLATE

ITEM	PART NO.	DESCRIPTION	QTY
1	1477470	Operator Module (LPG)	1
1	2041655	Operator Module (Diesel)	1
2	2021234	Insulator (Rubber).....	3
3	2021235	Insulator (Rubber).....	1
4	2021238	Washer	4
5	2021237	Nut	4
6	2021232	Cover	1
7	316678	Screw.....	4
8	320157	Washer	4
9	292501	Capscrew.....	1
10	320156	Washer	1
11	1359600	Nut	1
12	1385097	Panel (RH)	1
13	2021499	Panel (LH).....	1
14	369242	Capscrew.....	4
15	292681	Lockwasher.....	4
16	1350282	Retainer	4
17	316678	Screw.....	2
18	2022544	Cap (Choke Cable) (Diesel).....	1
19	292681	Lockwasher.....	2
20	376949	Cover	AR
21	2023789	Floorplate.....	1
22	136681	Capscrew.....	2
23	15175	Washer	2
24	2021231	Bracket.....	1
25	316678	Screw.....	2
26	320157	Washer	4
27	292681	Lockwasher.....	2
28	239503	Nut	2
29	2021665	Plate	1
30	2022636	Capscrew.....	4
31	296426	Washer (Hardened)	4
32	2021833	Cap	2
33	292533	Capscrew.....	4
34	2021834	Washer	4
35	2022821	Floormat	1
36	2021900	Cover	2
37	136985	Capscrew.....	4
38	292682	Lockwasher.....	4
39	320159	Washer	4
40	a 2021395	Cap	2
41	2022822	Barrier.....	1
41	a 2045369	Pad	1
42	a 2023813	Plate	1
43	a 2022029	Cover (Front).....	1
44	2022798	Label (Cowl Cover)	1
45	a 2022803	Cap (Tilt Pin).....	2

FOOTNOTES:

a Noise Reduction

FENDER (Figure 1-2)



HP120546

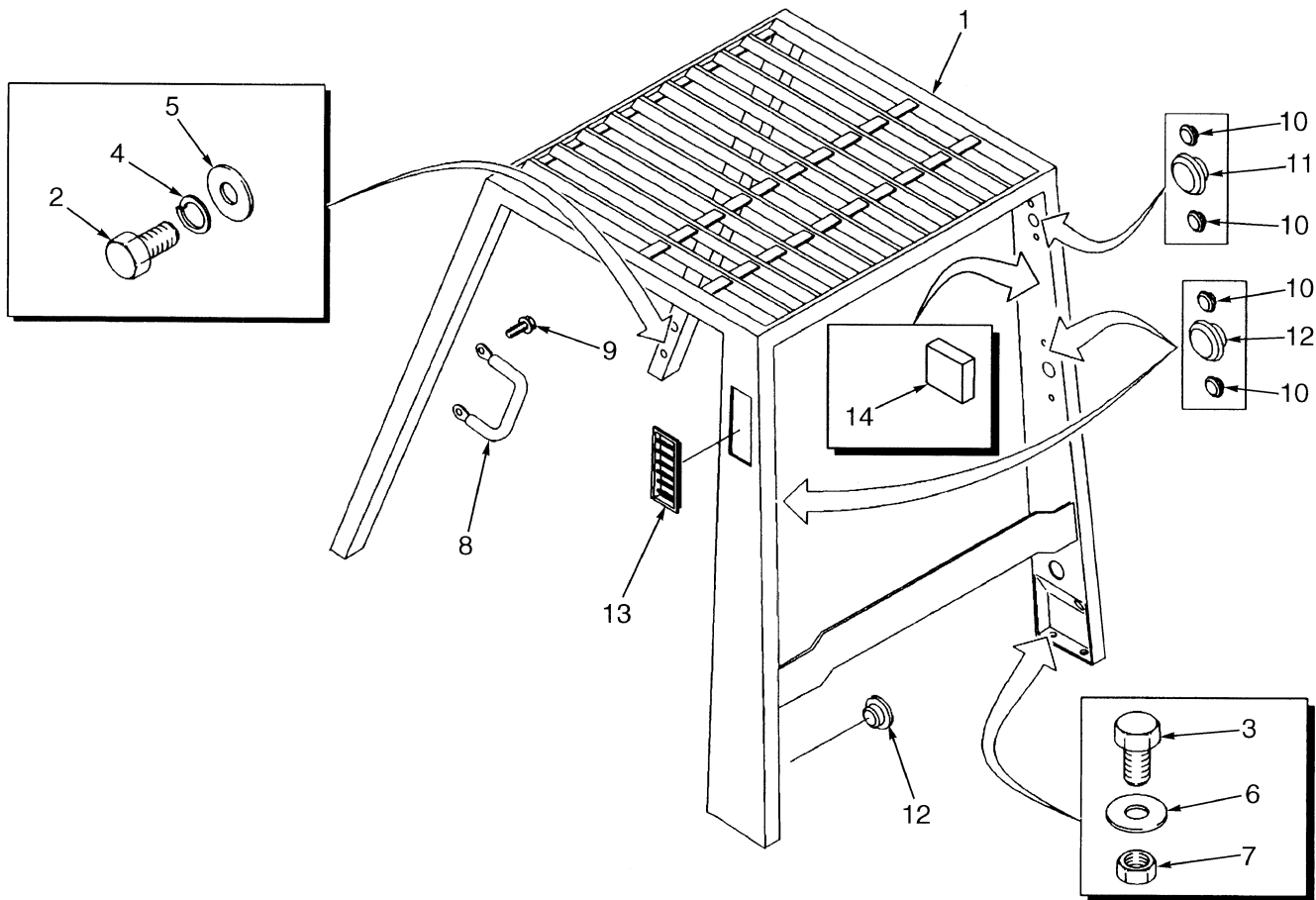
FENDER

ITEM	PART NO.	DESCRIPTION	QTY
1	a 2021869	Fender (Upper) (LH)	1
1	a 2021870	Fender (Upper) (RH).....	1
2	a 2021871	Fender (LH)	1
2	a 2021872	Fender (RH).....	1
3	b 2021873	Fender (LH)	1
3	b 2021874	Fender (RH).....	1
4	b 2021875	Fender (LH)	1
4	b 2021876	Fender (RH).....	1
5	1347144	Bar	5
6	136985	Capscrew.....	5
7	292682	Lockwasher.....	5

FOOTNOTES:

- a Intermediate Track
- b Wide Track

OVERHEAD GUARD (Figure 1-3)

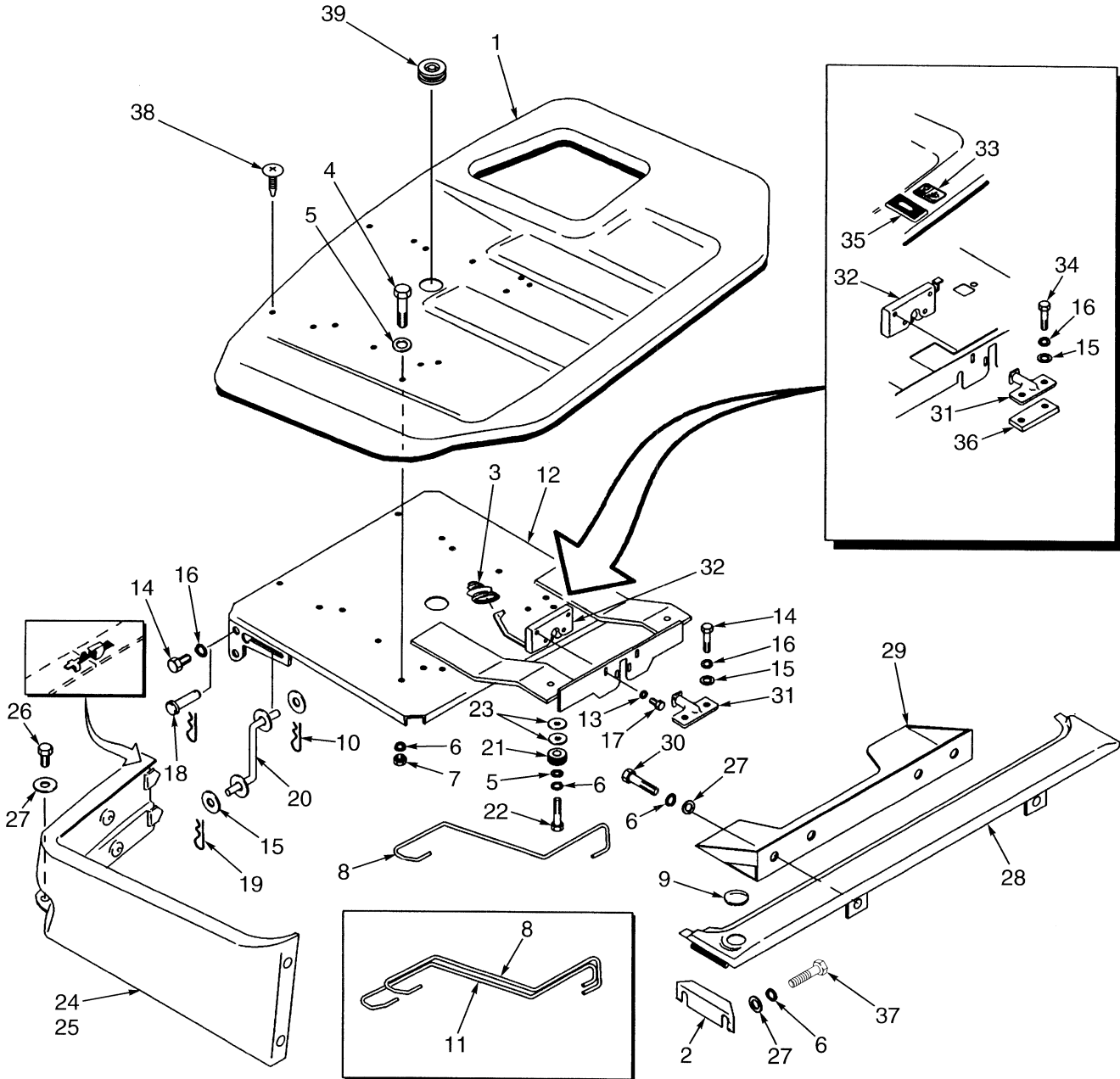


HP120547

OVERHEAD GUARD

ITEM	PART NO.	DESCRIPTION	QTY
1	2021662	Overhead Guard	1
2	132860	Capscrew	4
3	292528	Capscrew	4
4	292683	Lockwasher	4
5	15177	Washer	4
6	320161	Washer	4
7	300937	Locknut	4
8	1343647	Handle	1
9	329067	Screw	2
10	1363916	Plug	12
11	1363917	Plug	4
12	1363918	Plug	3
13	1339265	Grill	2
14	2022732	Pad (Noise Reduction).....	2

ENGINE COVER (Figure 1-4)



HP120548

ENGINE COVER**KEY:****A: Non-Suspension Seat****B: Suspension Seat**

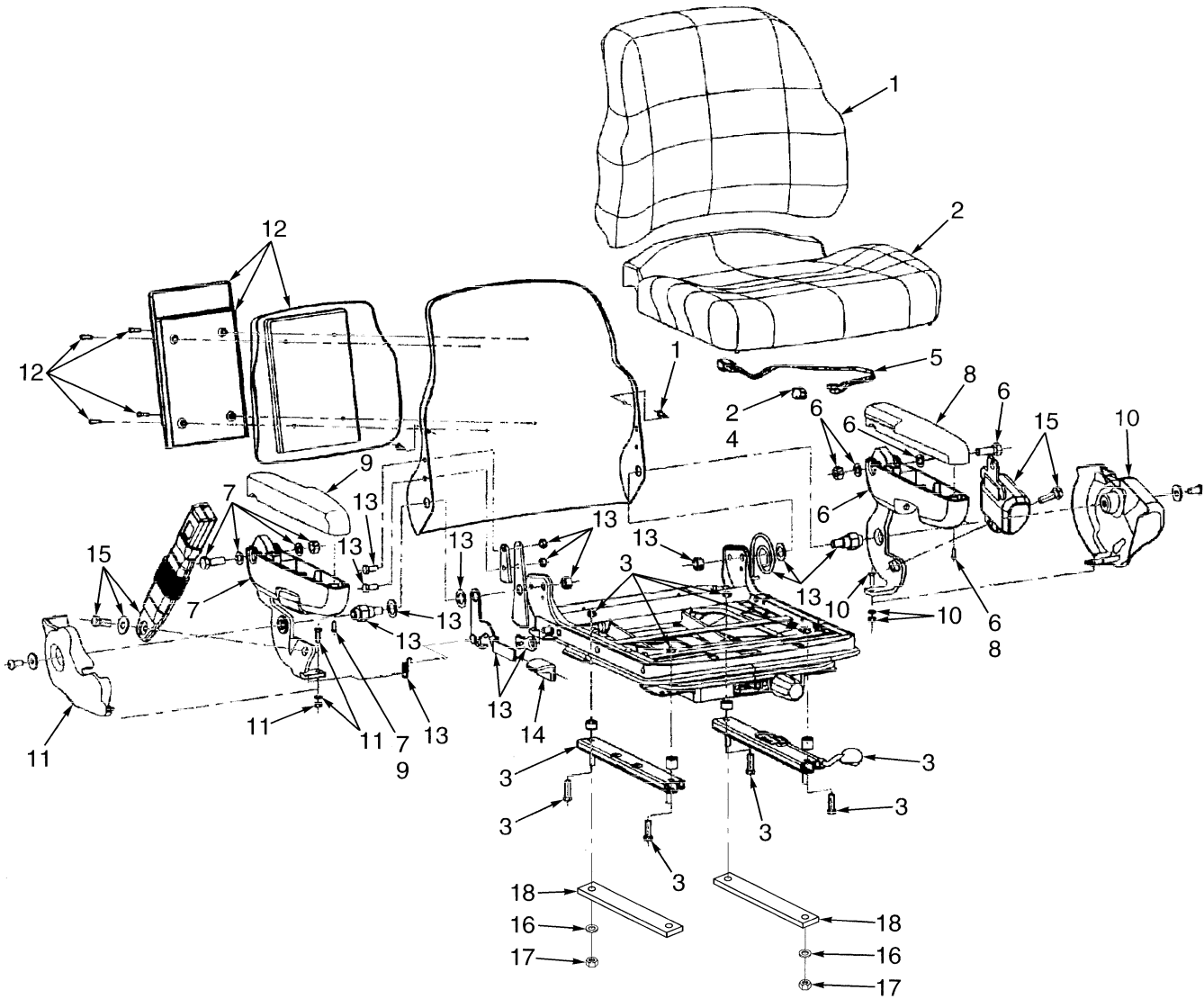
ITEM	PART NO.	DESCRIPTION	QTY	
			A	B
1	1385128	Cover	1	1
2	2021223	Bracket.....	2	2
3	1339786	Boot	1	1
4	176640	Capscrew.....	2	2
5	320157	Washer	6	6
6	292681	Lockwasher.....	12	12
7	239503	Nut	6	6
8	2026074	Spring	1	1
9	1363918	Plug	1	1
10	15222	Cotter Pin.....	1	1
11	2026073	Spring	1
12	ce 1389607	Seat Pan	1	1
12	bd 1498410	Seat Pan	1	1
13	320156	Washer	4	4
14	f 136985	Capscrew.....	2	2
14	g 287860	Capscrew.....	2	2
15	320159	Washer	6	6
16	292682	Lockwasher.....	2	2
17	199563	Capscrew.....	4	4
18	2021207	Pin	2	2
19	1362714	Cotter Pin.....	4	4
20	2021208	Support	1	1
21	2021213	Cushion (Rubber)	2	2
22	296167	Capscrew.....	2	2
23	15177	Washer	AR	AR
24	2023466	Panel (RH)	1	1
25	2021216	Panel (LH).....	1	1
26	136749	Capscrew.....	2	2
27	15175	Washer	10	10
28	2021218	Cover (Radiator)	1	1
29	2021219	Bracket.....	1	1
30	136749	Capscrew.....	4	4
31	1337148	Striker Plate	1	1
32	a 2021222	Latch	1	1
33	a 1386223	Nut	1	1
34	a 287860	Capscrew.....	2	2
35	a 1386224	Cover	1	1
36	a 1385129	Spacer	1	1
37	329067	Screw.....	4	4
38	1347045	Fastener.....	4	4
39	1359587	Grommet.....	1	1

FOOTNOTES:**a** Noise Reduction**b** ⇒ S/N E001B-02823Z LPG**c** S/N E001B-02824Z ⇒ LPG

ENGINE COVER

- d** ⇒ S/N E001B-02892Z Diesel
- e** S/N E001B-02893Z ⇒ Diesel
- f** ⇒ S/N E001B-03313Z
- g** S/N E001B-03314Z ⇒

SEAT (Figure 1-5) SUSPENSION SHEET 1 OF 2



HP120549

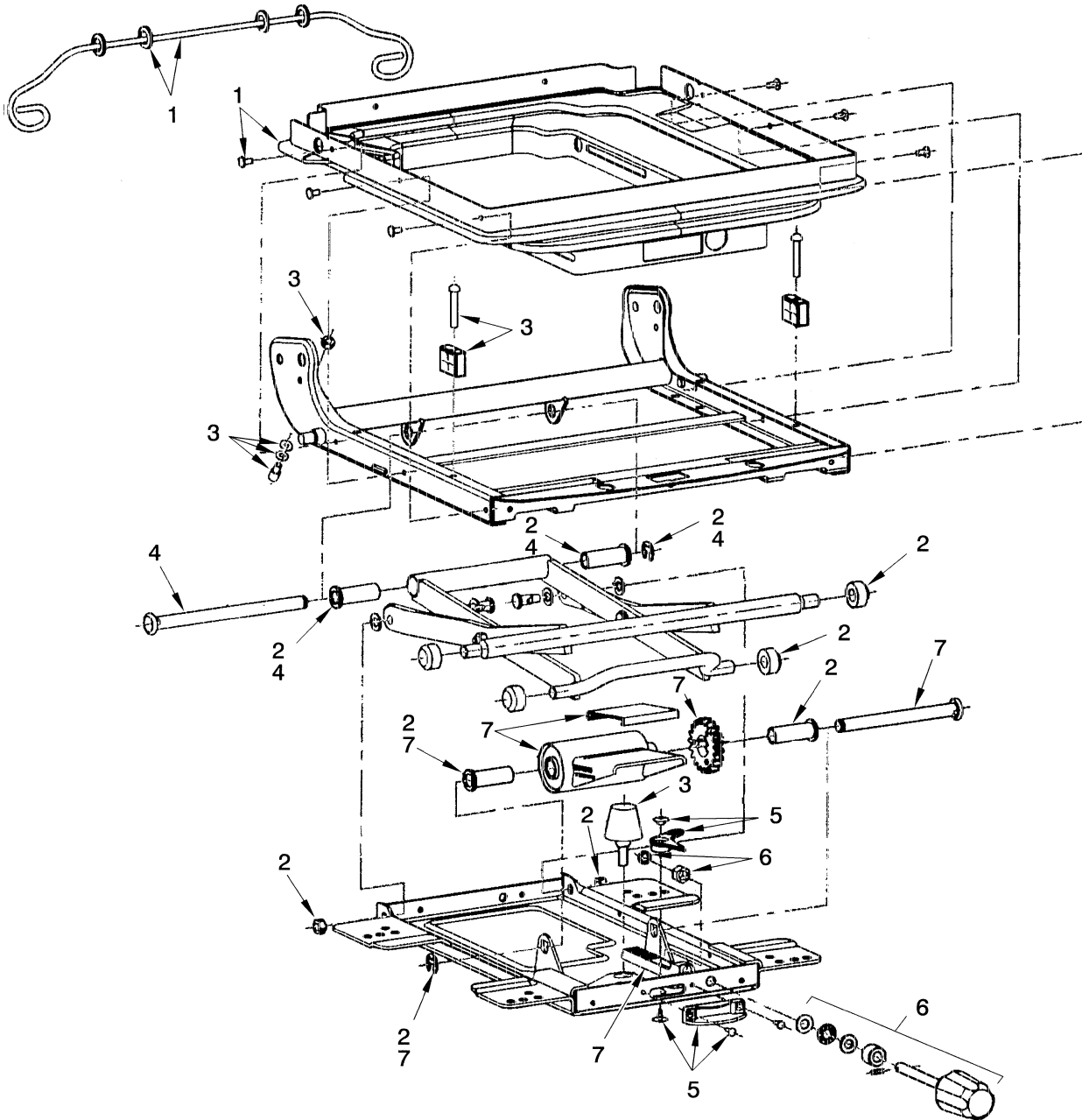
**SEAT
SUSPENSION
SHEET 1 OF 2**

ITEM	PART NO.	DESCRIPTION	QTY
	1466006	Full Suspension Seat (Vinyl).....	1
	1466007	Full Suspension Seat (Fabric)	1
1	1467533	Back Cushion (Vinyl)	1
1	1467535	Back Cushion (Fabric)	1
2	1467536	Seat Cushion (Fabric)	1
2	1494076	Seat Cushion (Vinyl).....	1
3	1467513	Slider Kit	1
4	1467514	Switch (Seat)	1
5	1467515	Wire Harness	1
6	1467516	Armrest (LH) (LH).....	1
7	1467517	Armrest (RH) (RH)	1
8	1467518	Cap (LH)	1
9	1467519	Cap (RH)	1
10	1467520	Cover (LH)	1
11	1467521	Cover (RH)	1
12	1467522	Holder Kit.....	1
13	1467530	Recliner Kit.....	1
14	1467531	Recliner Knob.....	1
15	1467532	Seat Belt Kit.....	1
16	15175	Washer	4
17	145639	Nut.....	4
18	b 2028186	Spacer	2
18	a 2039216	Spacer	1

FOOTNOTES:

- a** H1.50-1.75XM (LPG)
- b** H1.50-2.00XM And Diesel H2.00XMS

SEAT (Figure 1-6) SUSPENSION SHEET 2 OF 2



HP120550

**SEAT
SUSPENSION
SHEET 2 OF 2**

ITEM	PART NO.	DESCRIPTION	QTY
1	1467523	Boot Kit	1
2	1467524	Roller and Bearing Kit.....	1
3	1467525	Bumper and Stop Kit	1
4	1467526	Bearing Shaft Kit.....	1
5	1467527	Weight Adjuster Indicator Kit	1
6	1467528	Knob Kit	1
7	1467529	Suspension Spring Kit	1



Suggest:

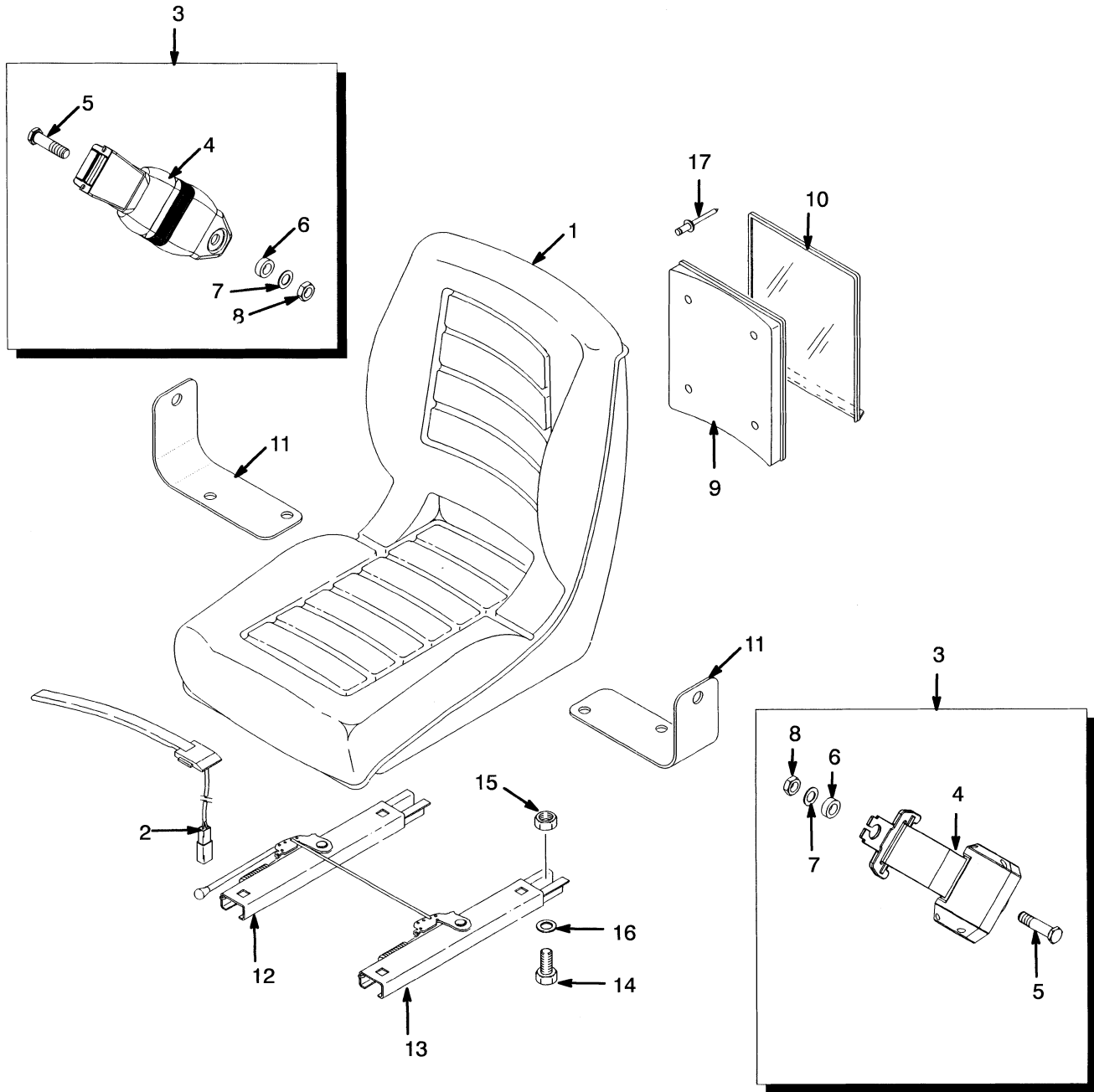
For more complete manuals. Please go to the home page.

<https://www.ebooklibonline.com>

If the above button click is invalid. Please download this document first, and then click the above link to download the complete manual.

Thank you so much for reading

SEAT (Figure 1-7) NON-SUSPENSION



HP120551

**SEAT
NON-SUSPENSION**

ITEM	PART NO.	DESCRIPTION	QTY
	1460231	Non-Suspension Seat.....	1
1	364911	Seat.....	1
3	1461081	Seat Belt Kit.....	1
4	Seat Belt.....	1
5	Screw.....	2
6	Washer.....	2
7	Washer.....	2
8	Nut.....	2
9	335955	Information Case.....	1
10	335991	Cover.....	1
11	1470175	Bracket.....	1
12	1470176	Seat Rail.....	1
13	1470177	Seat Rail.....	1
14	18498	Capscrew.....	4
15	145639	Nut.....	4
16	15175	Washer.....	4
17	Rivet.....	4

<https://www.ebooklibonline.com>

Hello dear friend!

Thank you very much for reading.

Enter the link into your browser.

The full manual is available for immediate download.

<https://www.ebooklibonline.com>