

# **PARTS MANUAL**

---

## **SPACESAVER**

**S25-35XM S40XMS  
(D010)**

CUSTOMER EDITION

---

# ***HYSTER***

**SECTIONS**

<b>1</b>	<b>FRAME</b>
<b>2</b>	<b>ENGINES</b>
<b>3</b>	<b>FUEL SYSTEM</b>
<b>4</b>	<b>ELECTRICAL SYSTEM</b>
<b>5</b>	<b>TRANSMISSION</b>
<b>6</b>	<b>STEERING SYSTEM</b>
<b>7</b>	<b>BRAKE SYSTEM</b>
<b>8</b>	<b>HYDRAULIC SYSTEM</b>
<b>9</b>	<b>MAST-TWO STAGE LIMITED FREE-LIFT</b>
<b>10</b>	<b>MAST-TWO STAGE FULL FREE-LIFT</b>
<b>11</b>	<b>MAST-THREE STAGE FULL FREE-LIFT</b>
<b>12</b>	<b>OPTIONS</b>
<b>13</b>	<b>NUMERICAL INDEX</b>

**TABLE OF CONTENTS**

DESCRIPTION	PAGE
<b>A</b>	
AIR INTAKE AND FILTER	
GASOLINE.....	3-13
LPG.....	3-16
ALTERNATOR	
GASOLINE AND LPG.....	4-42
TYPE GS AND LPS.....	4-44
AUXILIARY TUBES	
TWO AND THREE STAGE FULL FREE-LIFT	
FOUR FUNCTION GROUP.....	12-18
TWO STAGE AND THREE STAGE FULL FREE-LIFT	
THREE FUNCTION GROUP.....	12-16
TWO STAGE LIMITED FREE-LIFT	
THREE FUNCTION GROUP.....	12-14
<b>B</b>	
BACK-UP ALARM.....	12-24
BATTERY	
GASOLINE AND LPG.....	4-12
BRAKE ASSEMBLY.....	7-6
BRAKE LINES.....	7-4
BRAKE MASTER CYLINDER.....	7-11
BRAKE PEDAL LINKAGE.....	7-2
<b>C</b>	
CAMSHAFT AND VALVES	
GASOLINE AND LPG.....	2-10
CARBURETOR	
GASOLINE.....	3-10
LPG 2.0L OPEN LOOP.....	3-28
LPG CLOSED LOOP.....	3-32
CARRIAGE	
THREE STAGE FULL FREE-LIFT.....	11-18
TWO STAGE FULL FREE-LIFT.....	10-20
TWO STAGE LIMITED FREE-LIFT.....	9-12
CONTROL VALVE.....	5-16
FOUR FUNCTION	
SINGLE RELIEF.....	8-18
THREE FUNCTION	
SINGLE RELIEF.....	8-12
COOLING SYSTEM.....	2-20
COUNTERWEIGHT.....	1-19
CRANKSHAFT AND PISTON	
GASOLINE AND LPG.....	2-8
CYLINDER BLOCK	
GASOLINE AND LPG.....	2-4
CYLINDER HEAD AND COVER	
GASOLINE AND LPG.....	2-2

**<https://www.ebooklibonline.com>**

Hello dear friend!

Thank you very much for reading.

Enter the link into your browser.

The full manual is available for immediate download.

**<https://www.ebooklibonline.com>**

## TABLE OF CONTENTS (Continued)

DESCRIPTION	PAGE
<b>D</b>	
DIFFERENTIAL.....	5-18
DISTRIBUTOR	
GASOLINE AND LPG.....	4-38
DRIVE AXLE.....	5-20
DRIVE LIGHTS AND REAR LIGHTS.....	12-22
DRIVE TIRE AND WHEEL.....	12-20
<b>E</b>	
ELCTRICAL SYSTEM	
EPA COMPLIANT	
LPG	
S/N D010H03045B⇒.....	2-16
ELECTRICAL	
COWL.....	4-18
ELECTRICAL SYSTEM	
FRAME	
GASOLINE AND LPG.....	4-2
GASOLINE AND LPG.....	2-14
END PLATE.....	5-22
ENGINE COVER.....	1-6
ENGINE ELECTRICAL SYSTEM	
FRAME	
TYPE GS AND LPS.....	4-6
ENGINE FUEL SYSTEM	
LPG	
EPA COMPLIANT	
S/N D010H03045B⇒.....	2-24
ENGINE MOUNT	
GASOLINE AND LPG.....	2-30
EXHAUST	
GASOLINE AND LPG	
WITHOUT LOW EMISSIONS.....	2-32
TYPE GS AND LPS.....	2-36
WITH LOW EMISSIONS.....	2-34
<b>F</b>	
FORKS.....	1-21
FRAME AND FLOORPLATE.....	1-2
FREE LIFT	
THREE STAGE FULL FREE-LIFT.....	11-10
TWO STAGE FULL FREE-LIFT.....	10-8
FREE-LIFT CYLINDER	
THREE STAGE FULL FREE-LIFT.....	11-16
TWO STAGE FULL FREE-LIFT.....	10-18
FUEL SYSTEM	
GASOLINE ENGINE.....	2-26
LPG	
EPA COMPLIANT	
S/N D010H03045B⇒.....	3-24
LPG ENGINE	
LOW EMISSIONS.....	2-22

**TABLE OF CONTENTS (Continued)**

DESCRIPTION	PAGE
<b>F (continued)</b>	
OPEN AND CLOSED LOOP .....	3-20
FUEL TANK AND LINES	
GASOLINE.....	3-36
<b>G</b>	
GEAR PUMP .....	5-4
GOVERNOR	
GASOLINE AND LPG.....	3-12
<b>H</b>	
HEADER HOSE	
THREE STAGE FULL FREE-LIFT .....	11-20
TWO STAGE FULL FREE-LIFT .....	10-22
TWO STAGE LIMITED FREE-LIFT.....	9-14
HYDRAULIC CLUTCH .....	5-14
HYDRAULIC GEAR PUMP DRIVE .....	8-6
HYDRAULIC PUMP	
GASOLINE AND LPG.....	8-5
HYDRAULICS .....	8-2
<b>I</b>	
INNER MAST	
THREE STAGE FULL FREE-LIFT .....	11-6
TWO STAGE FULL FREE-LIFT .....	10-4
TWO STAGE LIMITED FREE-LIFT.....	9-4
INSTRUMENT CLUSTER	
⇒S/N D010H-02793A.....	4-14
S/N D010H-02794A⇒.....	4-16
INTAKE AND EXHAUST MANIFOLD	
GASOLINE AND LPG.....	2-12
INTEGRAL SIDE-SHIFT CARRIAGE	
TWO AND THREE STAGE FULL FREE-LIFT .....	12-8
TWO STAGE LIMITED FREE-LIFT.....	12-6
INTEGRAL SIDE-SHIFT CYLINDER .....	12-10
INTEGRAL SIDE-SHIFT HYDRAULIC HOSES	
TWO AND THREE STAGE FULL FREE-LIFT .....	12-12
TWO STAGE LIMITED FREE-LIFT.....	12-11
INTERMEDIATE MAST	
THREE STAGE FULL FREE-LIFT .....	11-4
<b>L</b>	
LABELS.....	1-17
LIFT	
TWO STAGE LIMITED FREE-LIFT.....	9-6
LIFT CYLINDER	
LEFT HAND	
TWO STAGE LIMITED FREE-LIFT .....	9-8
RIGHT HAND	
TWO STAGE LIMITED FREE-LIFT .....	9-10

## TABLE OF CONTENTS (Continued)

DESCRIPTION	PAGE
<b>L (continued)</b>	
LIGHTS, LED BACK-UP AND BRAKE	
S/N D010H03299B⇒.....	4-10
LOAD BACKREST EXTENSION.....	1-22
<b>M</b>	
MAIN CYLINDER	
LEFT HAND	
THREE STAGE FULL FREE-LIFT .....	11-12
TWO STAGE FULL FREE-LIFT	
⇒S/N A558L-03214.....	10-10
S/N A558L-03215⇒.....	10-12
RIGHT HAND	
THREE STAGE FULL FREE-LIFT .....	11-14
TWO STAGE FULL FREE-LIFT	
⇒S/N A558L-03214.....	10-14
S/N A558L-03215⇒.....	10-16
MAIN LIFT	
THREE STAGE FULL FREE-LIFT .....	11-8
TWO STAGE FULL FREE-LIFT .....	10-6
MAST INSTALLATION.....	8-22
MONOTROL PEDAL .....	3-4
<b>O</b>	
OIL PUMP AND FILTER	
GASOLINE AND LPG.....	2-18
OUTER MAST	
THREE STAGE FULL FREE-LIFT .....	11-2
TWO STAGE FULL FREE-LIFT .....	10-2
TWO STAGE LIMITED FREE-LIFT.....	9-2
OVERHEAD GUARD.....	1-4
<b>P</b>	
PARK BRAKE LEVER .....	7-9
<b>R</b>	
RADIATOR AND HOSES	
GASOLINE AND LPG.....	2-28
REGULATOR	
CLOSED LOOP .....	3-34
OPEN LOOP .....	3-30
<b>S</b>	
SEAT	
FULL SUSPENSION	
SHEET 1 OF 2 .....	1-8
SHEET 2 OF 2 .....	1-10
NON-SUSPENSION .....	1-12
SEMI-SUSPENSION SEAT	
EUROPE.....	1-14

**TABLE OF CONTENTS (Continued)**

DESCRIPTION	PAGE
<b>S (continued)</b>	
SHIFT LEVER .....	6-4
SIDE-SHIFT CARRIAGE .....	12-2
SIDE-SHIFT CYLINDER .....	12-4
SOLENOID VALVE	
⇒D/B 10/2003 .....	5-5
STARTER	
GASOLINE AND LPG .....	4-40
STEER TIRE AND WHEEL	
15 X 5 X 11.25 .....	12-21
STEERING AXLE .....	6-8
STEERING COLUMN .....	6-2
STEERING CYLINDER .....	6-10
STEERING PUMP .....	6-6
<b>T</b>	
TAIL LIGHT	
⇒S/N D010H03298B .....	4-8
TANK	
LPG .....	3-18
THROTTLE ASSEMBLY .....	3-2
THROTTLE LINKAGE	
GASOLINE .....	3-6
LPG .....	3-8
TILT CYLINDER .....	8-24
TIMING COVER AND OIL PAN	
GASOLINE AND LPG .....	2-6
TORQUE CONVERTER .....	5-2
TRANSMISSION GEARS .....	5-10
TRANSMISSION HOUSING .....	5-8
TRANSMISSION HYDRAULIC LINES .....	5-12
<b>V</b>	
VALVE ATTACHING PARTS	
FOUR FUNCTION .....	8-16
THREE FUNCTION .....	8-8
<b>W</b>	
WIRE HARNESS	
CLUSTER POWER .....	4-23
COWL .....	4-21
ENGINE	
GASOLINE AND LPG .....	4-27
LPG WITH LOW EMISSIONS .....	4-28
LPS WITH LOW EMISSIONS .....	4-32
TYPE GS AND LPS .....	4-30
FORWARD AND REVERSE .....	4-24
INSTRUMENT PANEL .....	4-22
MONOTROL PEDAL .....	4-25
REAR LIGHTS	

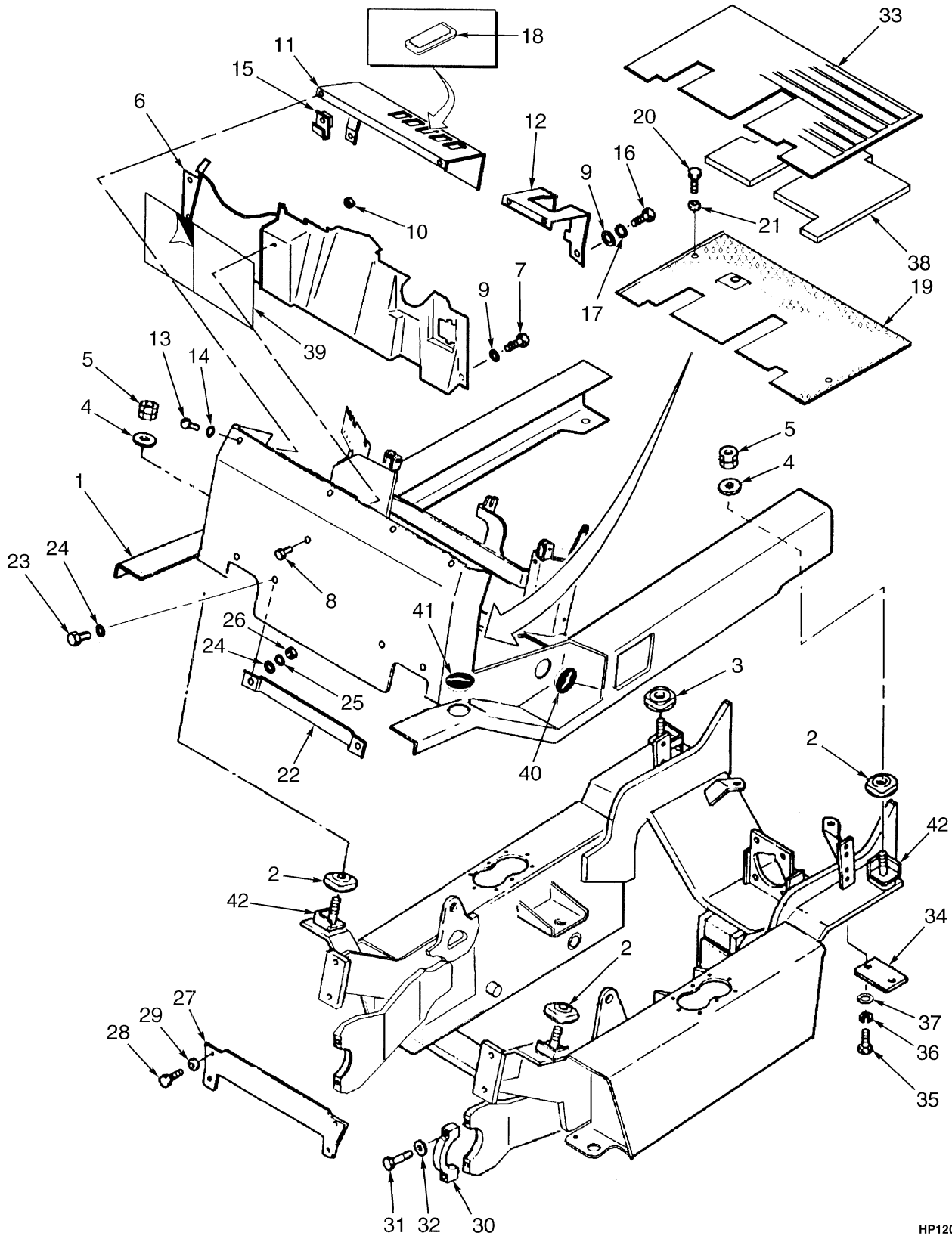
## TABLE OF CONTENTS (Continued)

DESCRIPTION	PAGE
<b>W</b> (continued)	
S/N D010H03299B⇒ .....	4-36
SEAT SWITCH.....	4-26
TAIL LIGHT	
⇒S/N D010H03298B .....	4-34

**SECTION 1**  
**FRAME**

<b>DESCRIPTION</b>	<b>PAGE</b>
COUNTERWEIGHT .....	1-19
ENGINE COVER .....	1-6
FORKS .....	1-21
FRAME AND FLOORPLATE .....	1-2
LABELS .....	1-17
LOAD BACKREST EXTENSION .....	1-22
OVERHEAD GUARD .....	1-4
SEAT	
FULL SUSPENSION	
SHEET 1 OF 2 .....	1-8
SHEET 2 OF 2 .....	1-10
NON-SUSPENSION .....	1-12
SEMI-SUSPENSION SEAT	
EUROPE .....	1-14

## FRAME AND FLOORPLATE (Figure 1-1)



HP120527

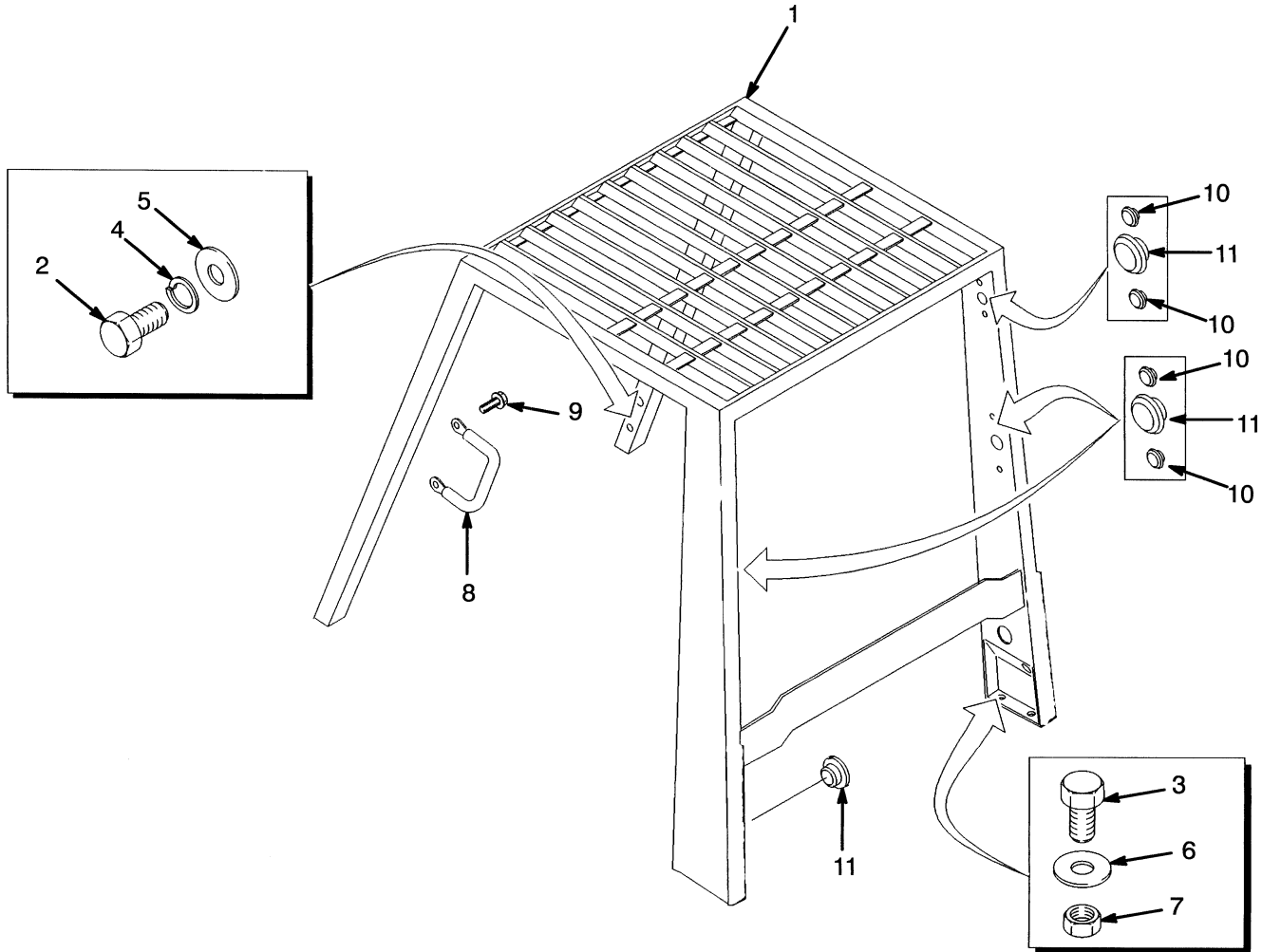
**FRAME AND FLOORPLATE**

ITEM	PART NO.	DESCRIPTION	QTY
1	<b>b</b> 1477464	Operator Module (Standard).....	1
1	<b>b</b> 1477467	Operator Module (Wide Tread) .....	1
1	<b>a</b> 2041656	Operator Module (Standard).....	1
1	<b>a</b> 2041663	Operator Module (Wide Tread) .....	1
2	2021234	Isulator.....	3
3	2021235	Isulator.....	1
4	2021238	Washer .....	4
5	2021237	Nut .....	4
6	2021232	Cover .....	1
7	316678	Screw.....	4
8	292501	Capscrew.....	1
9	320156	Washer .....	3
10	1359600	Nut .....	1
11	<b>c</b> 1385097	Panel (RH) .....	1
11	2021497	Panel (RH) .....	1
12	2021499	Panel (LH).....	1
13	369242	Capscrew.....	4
14	292681	Lockwasher.....	4
15	1350282	Nut .....	4
16	316678	Screw.....	2
17	292681	Lockwasher.....	2
18	376949	Cover .....	AR
19	2023789	Floorplate.....	1
20	136681	Capscrew.....	2
21	15175	Washer .....	2
22	2021231	Bracket.....	1
23	176640	Capscrew.....	2
24	320157	Washer .....	4
25	292681	Lockwasher.....	2
26	239503	Nut .....	2
27	2022897	Plate .....	1
28	2022636	Capscrew.....	4
29	296426	Washer (Hardened) .....	4
30	2021833	Cap .....	2
31	292533	Capscrew.....	4
32	2021834	Washer .....	4
33	2022821	Floormat .....	1
34	2021900	Cover .....	2
35	136985	Capscrew.....	4
36	292682	Lockwasher.....	4
37	320159	Washer .....	4
38	2022822	Barrier.....	1
39	2022798	Label.....	1
40	2022803	Cap (Tilt Pin).....	2
41	2021395	Cap .....	2
42	2047056	Support (Rubber) (Lower).....	4

**FOOTNOTES:**

- a** Gasoline
- b** LPG
- c** Type GS/LPS

## OVERHEAD GUARD (Figure 1-2)

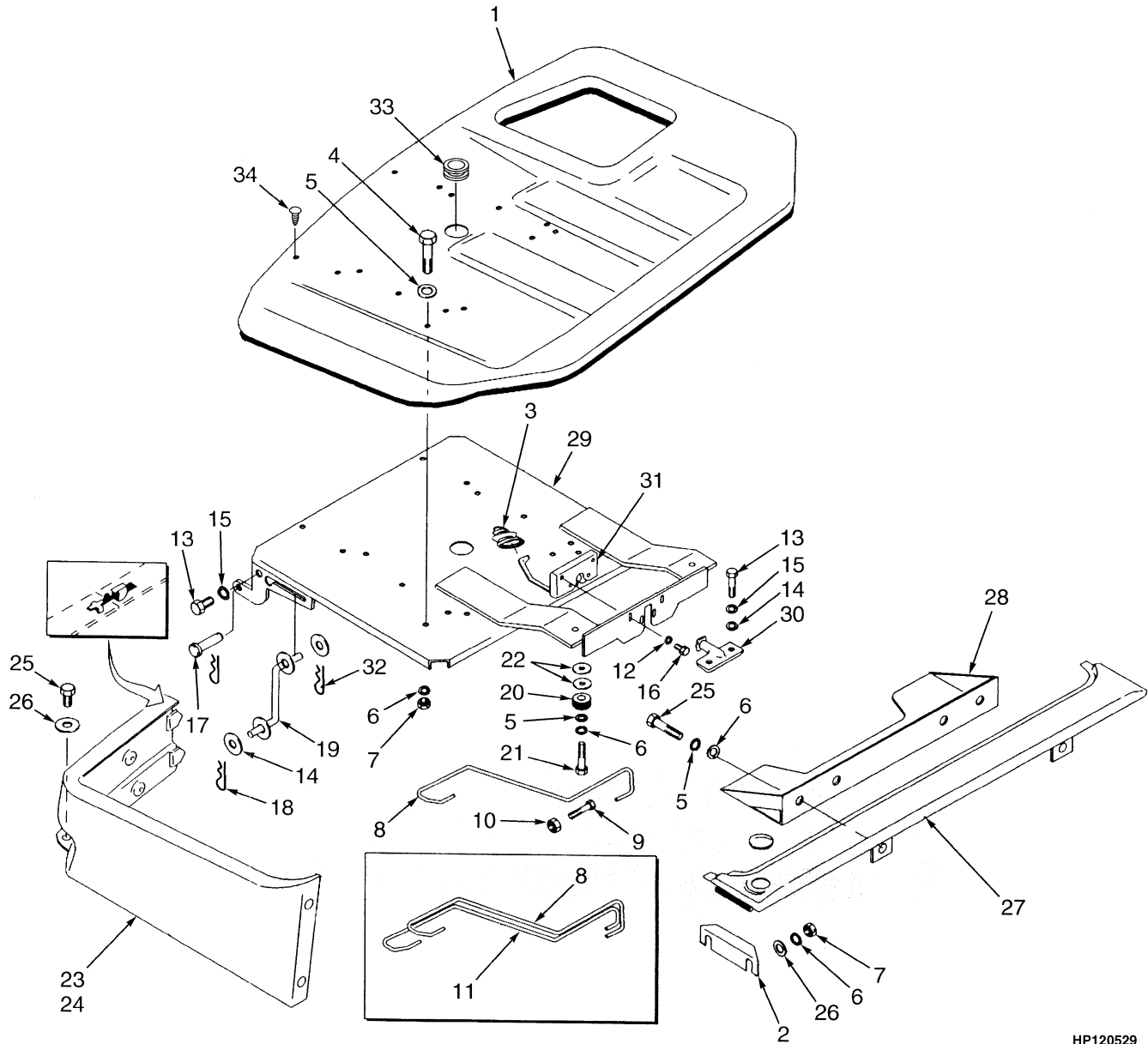


HP120528

ITEM	PART NO.	DESCRIPTION	QTY
1	2026479	Overhead Guard (Lowered) .....	1
1	2042988	Overhead Guard (Raised) .....	1
2	132860	Capscrew .....	4
3	292528	Capscrew .....	2
4	292683	Lockwasher .....	4
5	15177	Washer .....	4
6	320161	Washer .....	2
7	300937	Locknut .....	2
8	1343647	Handle .....	1
9	329067	Screw .....	2
10	1363916	Plug .....	12
11	1363917	Plug .....	4



## ENGINE COVER (Figure 1-3)



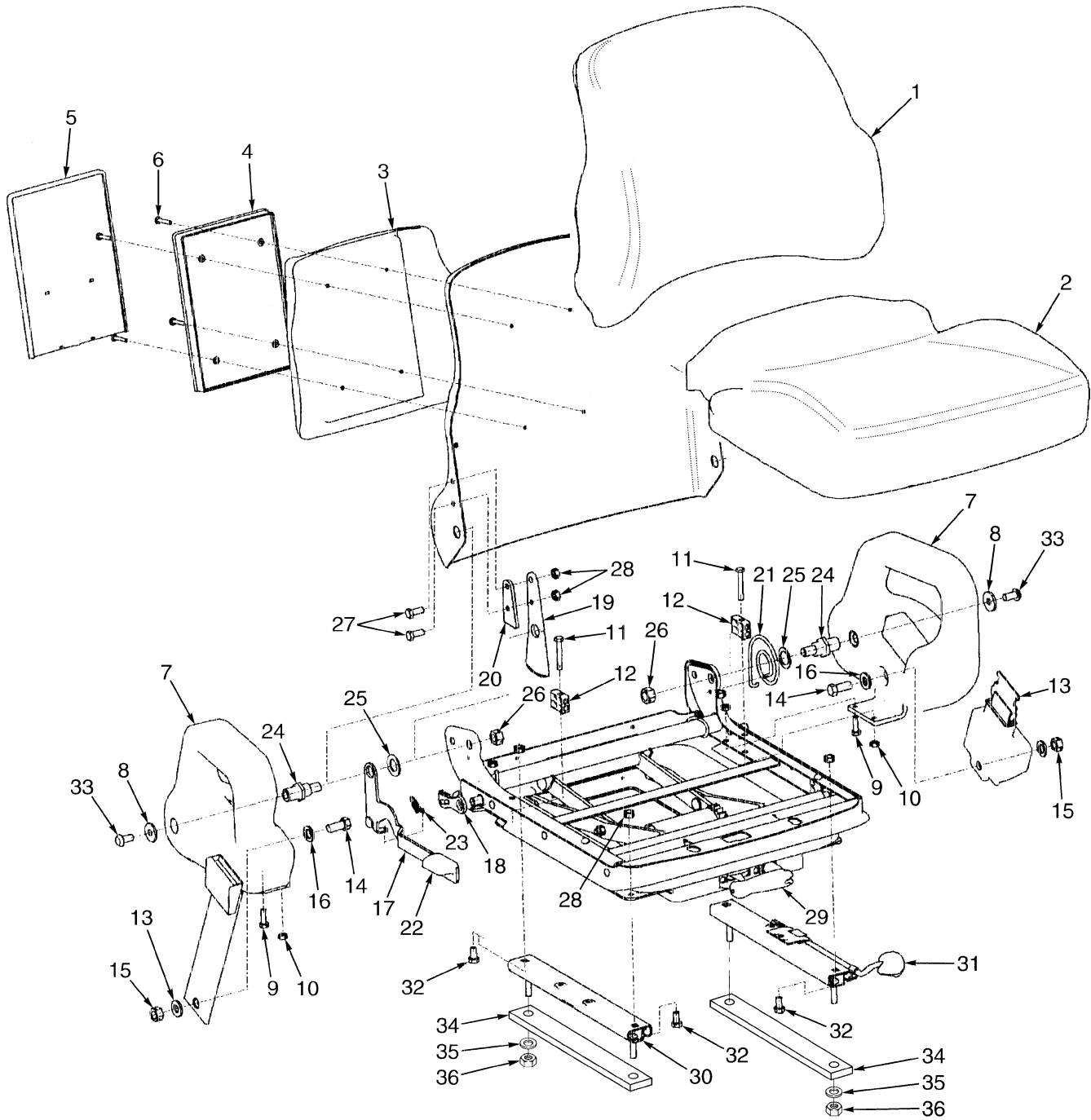
HP120529

**ENGINE COVER****KEY:****A: Non Suspension Seat****B: Suspension Seat**

ITEM	PART NO.	DESCRIPTION	QTY	
			A	B
1	2021197	Engine Cover .....	1	1
2	2022809	Support .....	2	2
3	1339786	Boot .....	1	1
4	176640	Capscrew .....	2	2
5	320157	Washer .....	6	6
6	292681	Lockwasher .....	12	12
7	239503	Nut .....	6	6
8	2026073	Spring .....	..	1
9	136749	Capscrew .....	2	2
10	239503	Nut .....	2	2
11	2026074	Spring .....	1	1
12	320156	Washer .....	4	4
13	<b>a</b> 287854	Capscrew .....	2	2
13	<b>b</b> 292514	Capscrew .....	2	2
14	320159	Washer .....	6	6
15	292682	Lockwasher .....	2	2
16	199563	Capscrew .....	4	4
17	2021207	Pin .....	2	2
18	1362714	Cotter Pin .....	2	2
19	2021208	Bracket .....	1	1
20	2021213	Cushion (Rubber) .....	2	2
21	296167	Capscrew .....	2	2
22	15177	Washer .....	AR	AR
23	2023466	Panel (RH) .....	1	1
24	2021216	Panel (LH) .....	1	1
25	329067	Screw .....	4	4
26	15175	Washer .....	10	10
27	2021218	Cover .....	1	1
28	2021219	Bracket .....	1	1
29	<b>c</b> 1498410	Seat Pan .....	1	1
29	<b>d</b> 1389607	Seat Pan .....	1	1
30	1337148	Striker Plate .....	1	1
31	2021222	Latch .....	1	1
32	15222	Cotter Pin .....	1	1
33	1359587	Grommet .....	1	1
34	1347045	Fastener .....	4	4

**FOOTNOTES:****a** ⇒ S/N D010H-02444Z**b** S/N D010H-02445Z ⇒**c** ⇒ D/B 05/2001**d** D/B 05/2001 ⇒

## SEAT (Figure 1-4) FULL SUSPENSION SHEET 1 OF 2

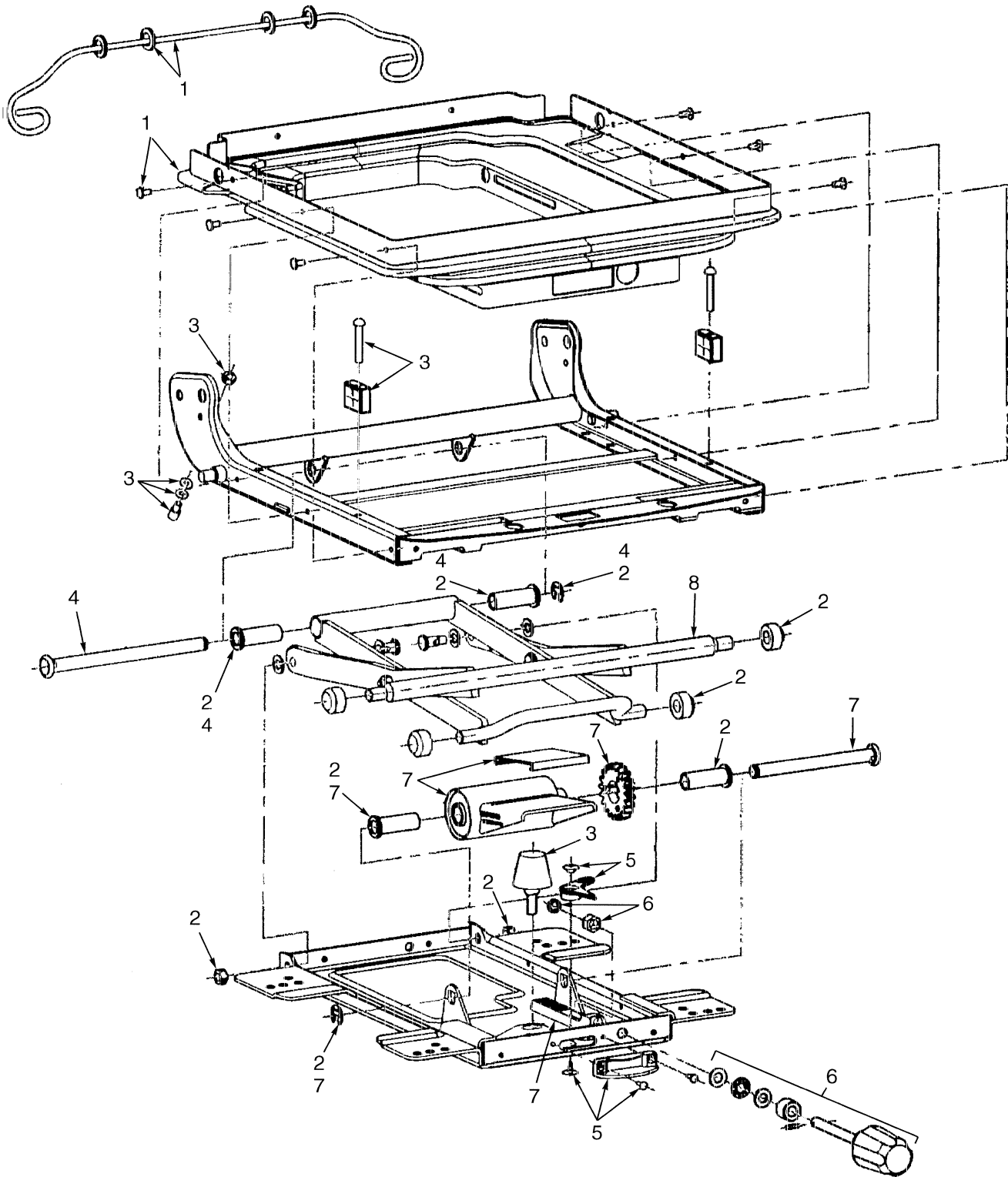


HP120530

**SEAT  
FULL SUSPENSION  
SHEET 1 OF 2**

ITEM	PART NO.	DESCRIPTION	QTY
	1476713	Suspension Seat (Vinyl) .....	1
	1476714	Suspension Seat (Fabric) .....	1
1	1470152	Back Cushion (Vinyl) .....	1
1	1470153	Back Cushion (Cloth) .....	1
2	1467534	Seat Cushion (Vinyl).....	1
2	1470154	Seat Cushion (Fabric) .....	1
3	.....	Riser .....	1
4	.....	Box .....	1
5	.....	Cover .....	1
6	.....	Screw .....	4
7	.....	Hip Restraint (RH) .....	1
7	.....	Hip Restraint (LH).....	1
8	.....	Washer .....	2
9	.....	Bolt .....	2
10	.....	Nut.....	4
11	.....	Bolt .....	2
12	.....	Block.....	2
13	.....	Seat Belt.....	1
14	.....	Bolt .....	2
15	.....	Nut.....	2
16	.....	Washer .....	4
17	.....	Handle .....	1
18	.....	Latch.....	1
19	.....	Bracket .....	1
20	.....	Spacer .....	1
21	.....	Spring.....	1
22	.....	Knob.....	1
23	.....	Spring Extension .....	1
24	.....	Pivot .....	2
25	.....	Washer .....	2
26	.....	Nut.....	2
27	.....	Bolt .....	2
28	.....	Nut.....	6
29	1470163	Weight Adjuster Kit.....	1
30	.....	Slide (RH).....	1
31	.....	Slide (LH) .....	1
32	.....	Bolt .....	4
33	.....	Screw .....	2
34	2026092	Spacer .....	2
35	15175	Washer .....	4
36	145639	Nut .....	4
	1470155	Manual Holder Kit (Includes Items 3-6) .....	1
	1470156	Hip Restraint Kit (RH) (Includes Items 7-12, 33) .....	1
	1470157	Hip Restraint Kit (LH) (Includes Items 7-12, 33) .....	1
	1470158	Seat Belt Kit (Includes Items 13-16) .....	1
	1470164	Recliner Kit (Includes Items 17-28) .....	1
	1470161	Slide Kit (Includes Items 30-32).....	1
	893818	Ground Wire (Not Illustrated).....	1

## SEAT (Figure 1-5) FULL SUSPENSION SHEET 2 OF 2



HP120531

**SEAT  
FULL SUSPENSION  
SHEET 2 OF 2**

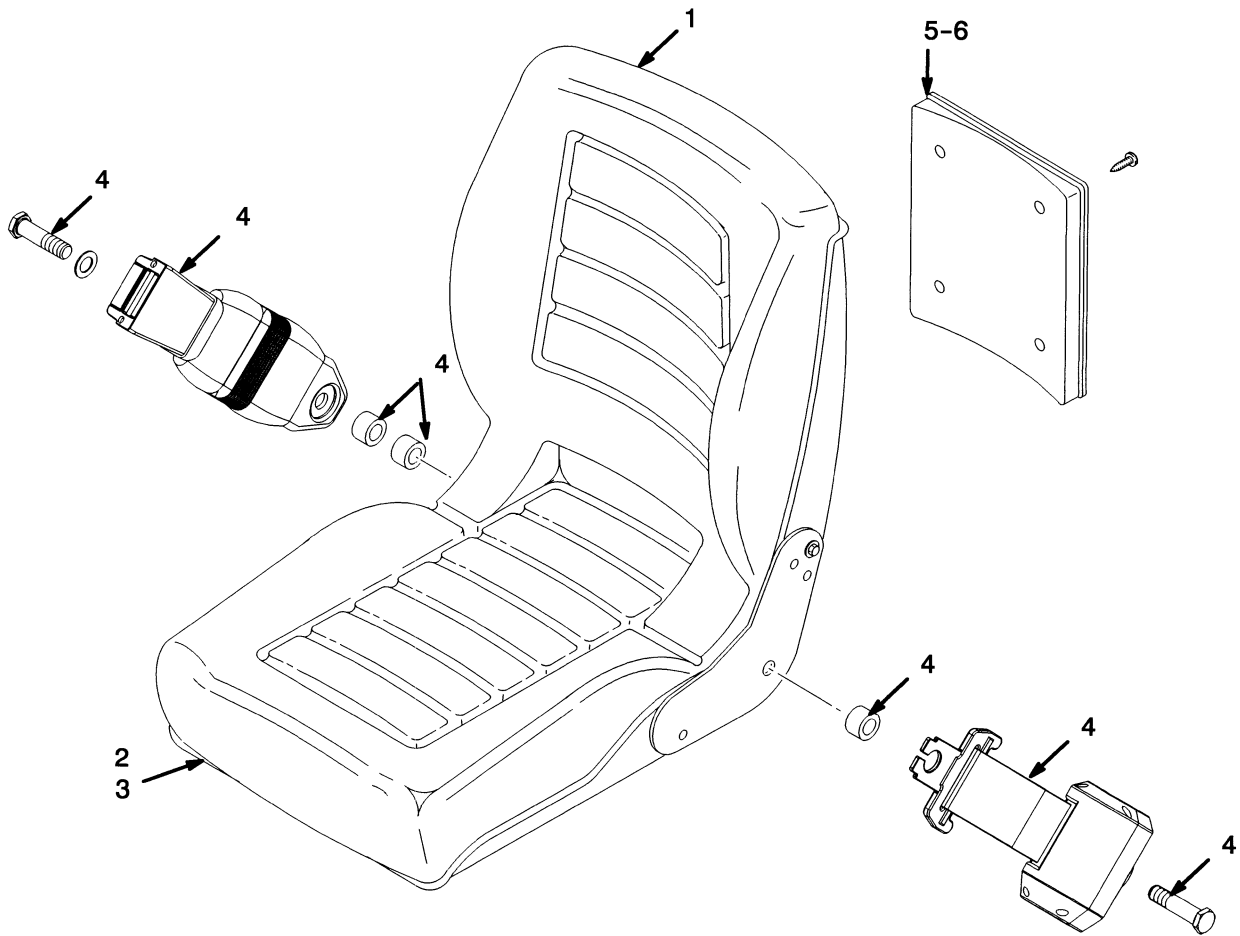
ITEM	PART NO.	DESCRIPTION	QTY
	1476712	Seat (Fabric) .....	1
	1476711	Seat (Vinyl) .....	1
1	1467523	Boot Kit.....	1
2	1467524	Roller and Bearing Kit .....	1
3	1467525	Bumper and Stop Kit .....	1
4	1467526	Bearing Shaft Kit .....	1
5	1467527	Weight Adjuster Indicator Kit .....	1
6	1467531	Recliner Knob.....	1
7	1467529	Suspension Spring Kit.....	1
8	1470160	Scissor Assembly .....	1



**SEAT  
NON-SUSPENSION**

ITEM	PART NO.	DESCRIPTION	QTY
	1351473	Seat .....	1
1	18496	Capscrew .....	4
2	15175	Washer .....	4
3	145639	Nut.....	4
4	1374750	Seat Belt.....	1
5	379199	Capscrew .....	2
6	379697	Washer .....	4
7	379698	Nut.....	2
8	1351431	Seat.....	1
9	335553	Seat Rail (LH).....	1
10	383116	Seat Rail (RH) (RH).....	1
11	364914	Capscrew .....	4
12	296128	Nut (LPG) .....	2
13	221733	Washer .....	2
14	1300107	Rod.....	1
15	364807	Hip Restraint (RH) .....	1
16	364808	Hip Restraint (LH).....	1
17	18727	Capscrew .....	4
18	18515	Washer .....	4
19	379197	Capscrew .....	2
20	379198	Washer .....	2
21	364854	Plug .....	2
22	335988	Base (Information Case) .....	1
23	335991	Cover (Information Case) .....	1
24	222029	Rivet .....	4
25	296027	Capscrew (LPG).....	1
26	15176	Washer (LPG) .....	1
27	1354140	Switch Assembly .....	1

## SEMI-SUSPENSION SEAT (Figure 1-7) EUROPE



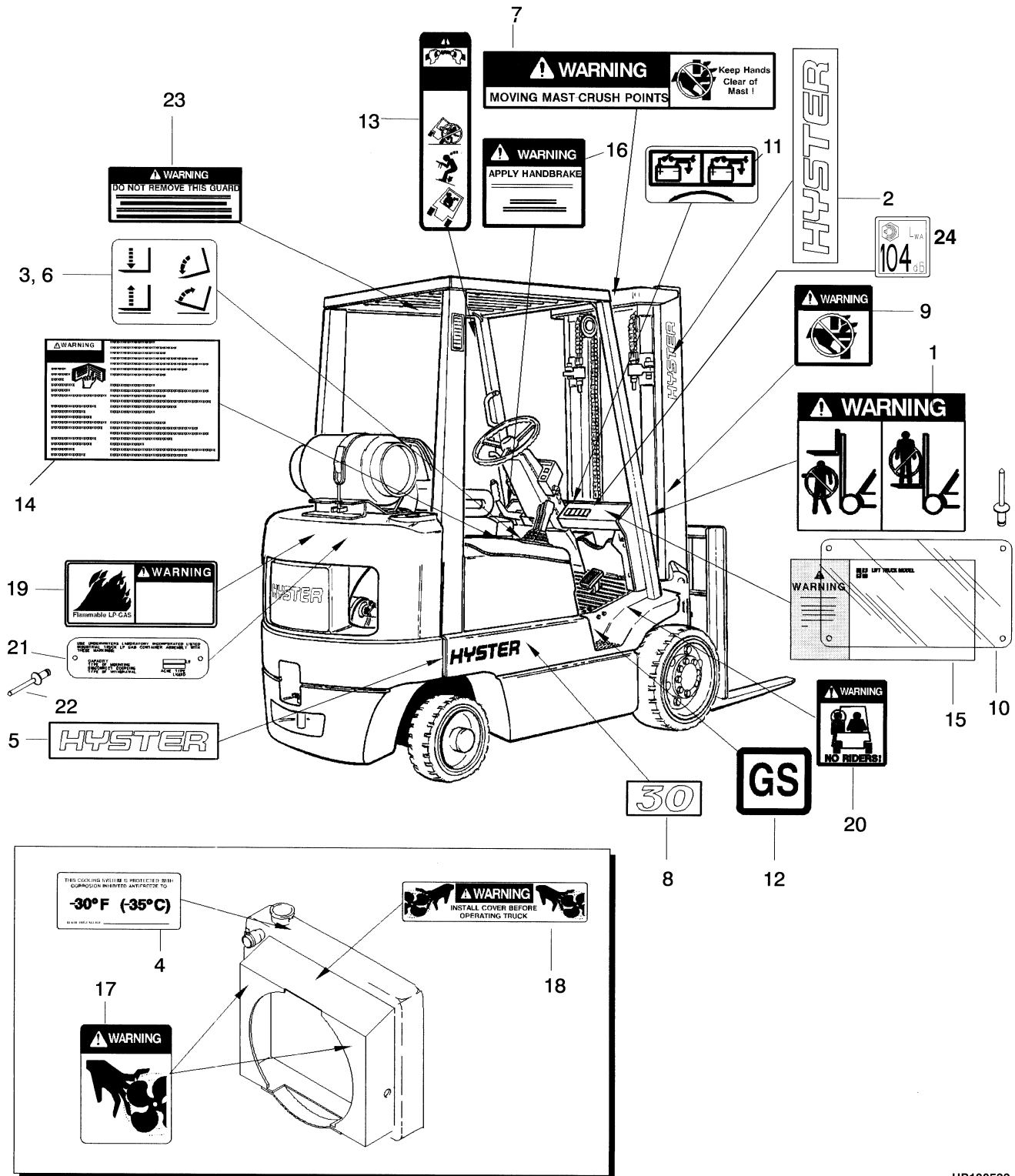
HP120325

**SEMI-SUSPENSION SEAT  
EUROPE**

ITEM	PART NO.	DESCRIPTION	QTY
	2051298	Semi-Suspension Seat .....	1
1	1480403	Back Cushion .....	1
2	1480404	Seat Cushion (With Switch).....	1
3	<b>a</b> 1480405	Slider Kit .....	1
4	1461081	Seat Belt Kit.....	1
5	335989	Base (Information Case) .....	1
6	335991	Cover (Information Case) .....	1

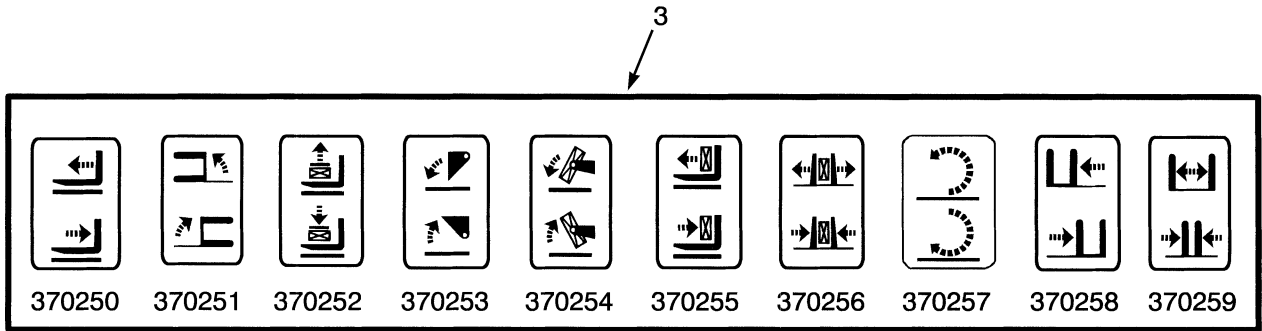
**FOOTNOTES:****a** Not Illustrated

## LABELS (Figure 1-8)



HP120533

**LABELS**



HP120534

ITEM	PART NO.	DESCRIPTION	QTY
1	1338178	Label (Mast Warning) .....	2
2	1339672	Label (Hyster) (Vertical).....	2
3	370250	Label (Auxiliary Function - Reach) .....	AR
3	370251	Label (Auxiliary Function - Swing).....	AR
3	370252	Label (Auxiliary Function - Stabilizer) .....	AR
3	370253	Label (Auxiliary Function - Dump/Scoop) .....	AR
3	370254	Label (Auxiliary Function - Upender).....	AR
3	370255	Label (Auxiliary Function - Push/Pull).....	AR
3	370256	Label (Auxiliary Function - Clamp) .....	AR
3	370257	Label (Auxiliary Function - Rotate).....	AR
3	370258	Label (Auxiliary Function - Side-Shift) .....	AR
3	370259	Label (Auxiliary Function - Fork Spreader).....	AR
4	1354165	Label (Anti-freeze) .....	1
5	2020517	Label (Hyster) .....	2
6	1356137	Label (Lift and Tilt).....	1
7	1330919	Label (Mast Warning) .....	1
8	2020513	Label (Model 25).....	2
8	2020514	Label (Model 30).....	2
8	2020515	Label (Model 35).....	2
8	2020516	Label (Model 40).....	2
9	1335129	Label (Pinch Point) .....	2
10	389688	Cover .....	1
11	1352190	Label (Battery Disconnect) (Type GS and LPS) .....	1
12	154065	Label (Type GS).....	2
12	154066	Label (Type LPS) .....	2
13	1330917	Label (Operator Restraint) .....	2
14	1336605	Label (Operator Warning) .....	1
15	<b>a</b> 1381125	Label (Nameplate) .....	1
16	2309799	Label (Parking Brake) .....	1
17	1345939	Label (Fan Warning) .....	2
18	1325271	Label (Fan Warning) .....	1
19	1354171	Label (Flammable LPG).....	1
20	1330920	Label (No Riders) .....	2
21	1501259	Label (LPG Tank).....	1
22	170658	Rivet.....	6

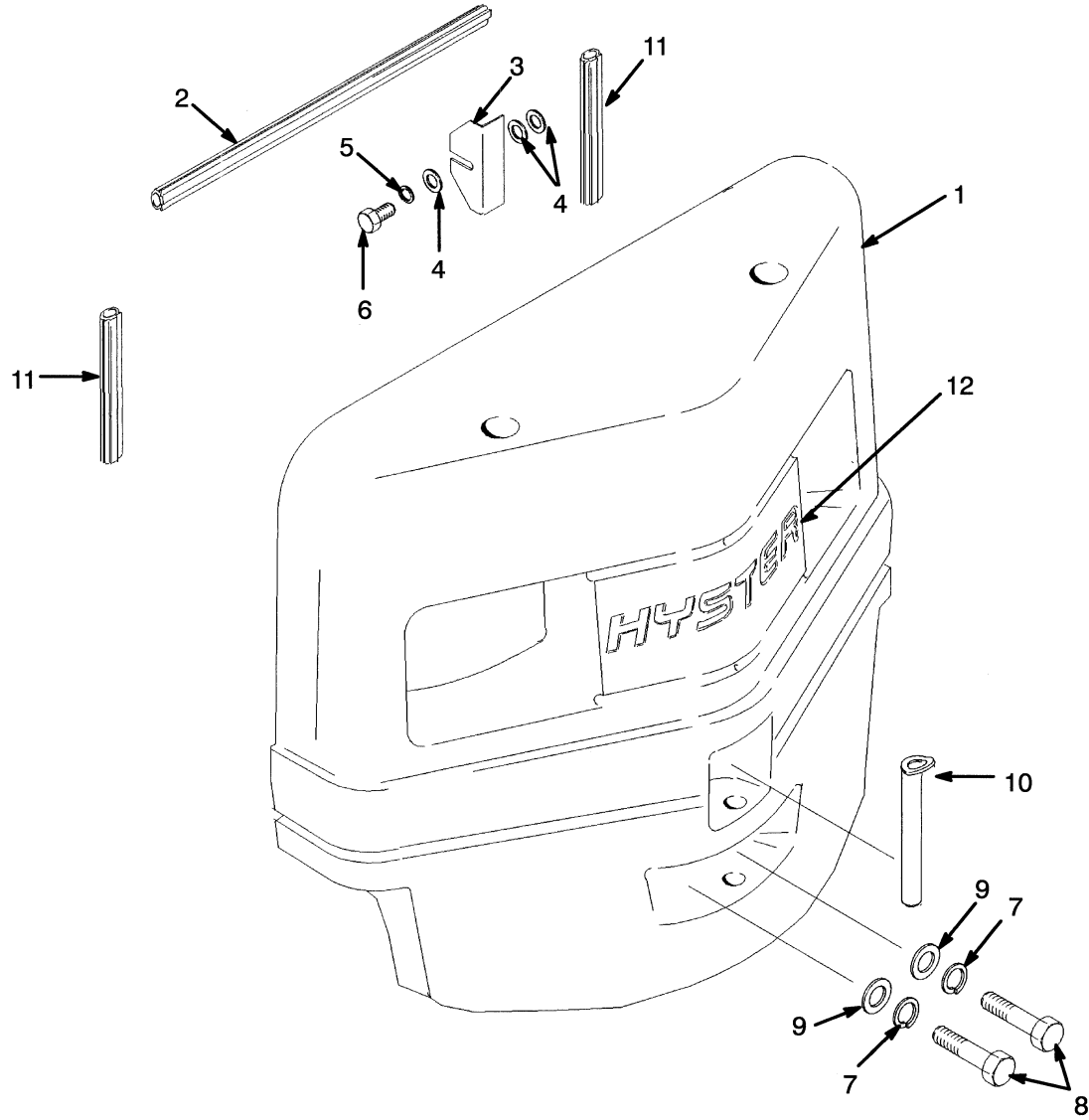
## LABELS

ITEM	PART NO.	DESCRIPTION	QTY
23	a . . . . .	Label (Overhead Guard).....	1
24	b 1503878	Label (Noise Level) (Non U.S.).....	1

**FOOTNOTES:**

- a Contact Your Local Hyster Dealer
- b Not Illustrated

**COUNTERWEIGHT (Figure 1-9)**



HP120535

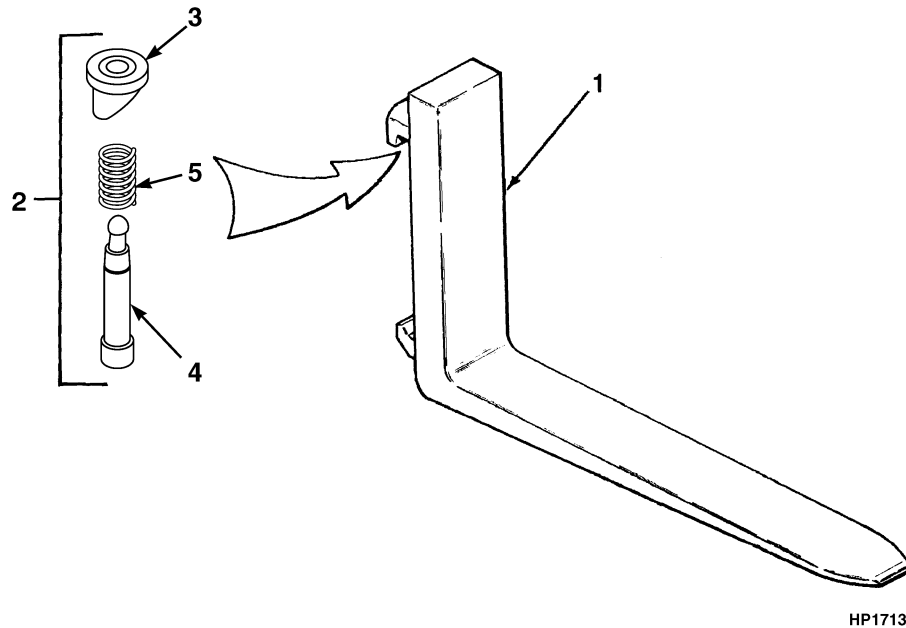
## COUNTERWEIGHT

ITEM	PART NO.	DESCRIPTION	QTY
1	1469460	Counterweight (S30XM) .....	1
1	1469468	Counterweight (S35XM) .....	1
1	1469469	Counterweight (S40XMS).....	1
1	1469594	Counterweight (S25XM) .....	1
2	2022800	Seal .....	1
3	2021563	Shim .....	4
4	320158	Washer .....	4
5	292681	Lockwasher.....	4
6	287851	Capscrew.....	4
7	292689	Lockwasher.....	2
8	292609	Capscrew.....	2
9	2021562	Washer .....	2
10	2022849	Pin .....	1
11	2022799	Seal .....	2
12	a 1450409	Label (Hyster).....	1

**FOOTNOTES:**

a Counterweight Optional

**FORKS (Figure 1-10)**



**KEY:**

**A: Standard Taper (40 mm x 100 mm)**

**B: Full Bottom Taper (40 mm x 100 mm)**

ITEM	PART NO.	DESCRIPTION	QTY	
			A	B
1	1338076	Fork (36 in.) .....	..	2
1	1338077	Fork (42 in.) .....	..	2
1	1338078	Fork (48 in.) .....	..	2
1	384211	Fork (36 in.) .....	2	..
1	384213	Fork (42 in.) .....	2	..
1	384214	Fork (48 in.) .....	2	..
1	384215	Fork (54 in.) .....	2	..
1	384216	Fork (60 in.) .....	2	..
2	1523735	Latch Kit (Class II) .....	2	2
3	1523732	Knob .....	1	1
4	1523733	Pin .....	1	1
5	1500782	Spring .....	1	1



**Suggest:**

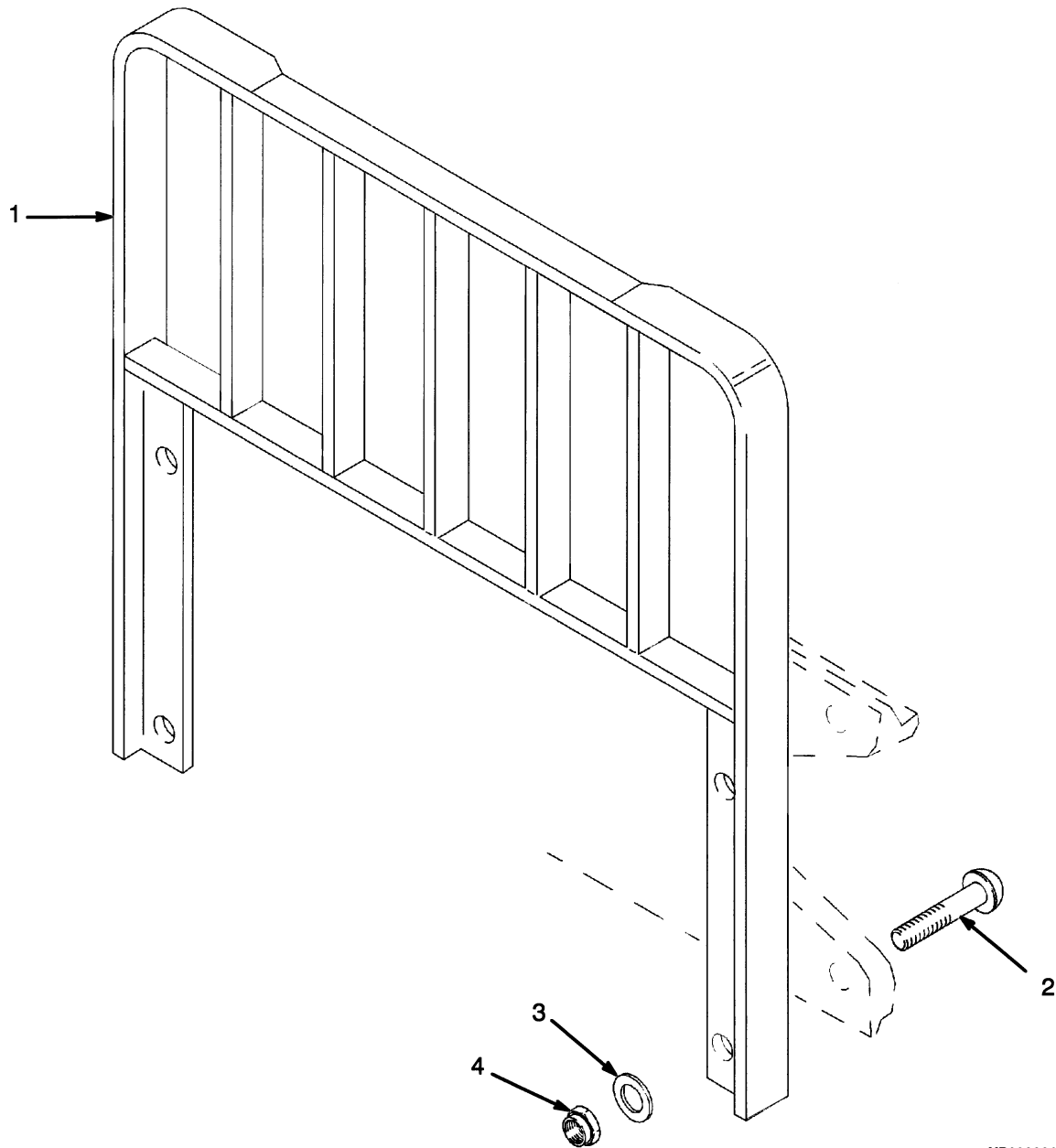
**For more complete manuals. Please go to the home page.**

**<https://www.ebooklibonline.com>**

**If the above button click is invalid. Please download this document first, and then click the above link to download the complete manual.**

**Thank you so much for reading**

## LOAD BACKREST EXTENSION (Figure 1-11)



YP290001

**LOAD BACKREST EXTENSION**

<b>ITEM</b>	<b>PART NO.</b>	<b>DESCRIPTION</b>	<b>QTY</b>
1	1349440	Load Backrest Extension (35.7 in.).....	1
2	1343990	Capscrew (With Side-Shift).....	4
2	1353533	Capscrew (Without Side-Shift).....	4
3	221771	Washer .....	4
3	296423	Washer (Optional).....	4
4	300937	Locknut .....	4

**<https://www.ebooklibonline.com>**

Hello dear friend!

Thank you very much for reading.

Enter the link into your browser.

The full manual is available for immediate download.

**<https://www.ebooklibonline.com>**