

# **PARTS MANUAL**

---

**S6.00-7.00XL  
(C024)**

CUSTOMER EDITION

---

***HYSTER***

**SECTIONS**

<b>1</b>	<b>FRAME</b>
<b>2</b>	<b>ENGINES</b>
<b>3</b>	<b>FUEL SYSTEM</b>
<b>4</b>	<b>ELECTRICAL SYSTEM</b>
<b>5</b>	<b>TRANSMISSION</b>
<b>6</b>	<b>STEERING SYSTEM</b>
<b>7</b>	<b>BRAKE SYSTEM</b>
<b>8</b>	<b>HYDRAULIC SYSTEM</b>
<b>9</b>	<b>MAST-TWO STAGE LIMITED FREE-LIFT</b>
<b>10</b>	<b>MAST-THREE STAGE FULL FREE-LIFT</b>
<b>11</b>	<b>OPTIONS</b>
<b>12</b>	<b>NUMERICAL INDEX</b>

**TABLE OF CONTENTS**

DESCRIPTION	PAGE
<b>A</b>	
ACCELERATOR PEDAL AND BRACKET	
MONOTROL .....	3-26
WITH FORWARD AND REVERSE LEVER.....	3-24
AIR FILTER	
DIESEL .....	3-2
LPG .....	3-4
ALTERNATOR AND MOUNTING	
DIESEL TIER II.....	4-18
ASSEMBLED ENGINE	
LPG .....	2-24
<b>B</b>	
BRAKE .....	7-10
BRAKE BOOSTER.....	7-14
BRAKE LINES.....	7-12
<b>C</b>	
CAMSHAFT AND OIL PAN	
LPG .....	2-32
CARRIAGE	
THREE STAGE FULL FREE-LIFT .....	10-16
TWO STAGE LIMITED FREE-LIFT.....	9-10
CLUTCH PACK	
POWERSHIFT	
COUNTER, FORWARD, SHORT SHAFT	
D/B 10/2004⇒ .....	5-20
⇒D/B 10/2004 .....	5-18
INPUT, REVERSE, LONG SHAFT	
D/B 10/2004⇒ .....	5-24
⇒D/B 10/2004 .....	5-22
COIL ASSEMBLY .....	2-26
CONTROL VALVE	
FOUR FUNCTION .....	8-30
TWO AND THREE FUNCTION .....	8-22
CONTROL VALVE ATTACHING PARTS WITH FITTINGS	
FOUR FUNCTION .....	8-32
TWO AND THREE FUNCTION .....	8-24
CONTROL VALVE ATTACHING TUBES	
FOUR FUNCTION .....	8-34
TWO AND THREE FUNCTION .....	8-28
COOLING AND FAN DRIVE	
DIESEL TIER II.....	2-8
COUNTERWEIGHT .....	1-8
COWL AND FLOOR PLATES .....	1-10
CRANKSHAFT AND PISTONS	
DIESEL TIER II.....	2-50
CYLINDER BLOCK	
DIESEL TIER II.....	2-44
LPG .....	2-30
CYLINDER HEAD	

**<https://www.ebooklibonline.com>**

Hello dear friend!

Thank you very much for reading.

Enter the link into your browser.

The full manual is available for immediate download.

**<https://www.ebooklibonline.com>**

## TABLE OF CONTENTS (Continued)

DESCRIPTION	PAGE
<b>C (continued)</b>	
LPG .....	2-40
CYLINDER HEAD AND INDUCTION MANIFOLD	
DIESEL TIER II .....	2-46
<b>D</b>	
DIFFERENTIAL AND CARRIER	
POWERSHIFT .....	5-30
DISTRIBUTOR ASSEMBLY .....	4-24
DRIVE ADAPTOR	
DIESEL TIER II .....	2-68
DRIVE AXLE .....	5-28
<b>E</b>	
ELECTRICAL	
ALTERNATOR AND BATTERY	
DIESEL TIER II .....	4-10
LPG .....	4-6
ELECTRICAL SYSTEM	
DIESEL TIER II .....	4-14
ENGINE FUEL SUPPLY	
LPG .....	3-16
ENGINE MOUNTING	
LPG AND DIESEL .....	2-22
EXHAUST DIESEL	
COUNTERWEIGHT .....	2-14
OVERHEAD .....	2-18
EXHAUST LPG	
COUNTERWEIGHT .....	2-12
OVERHEAD .....	2-16
EXHAUST MANIFOLD	
DIESEL TIER II .....	2-58
LPG .....	2-20
<b>F</b>	
FAN DRIVE AND ALTERNATOR MOUNTING	
LPG .....	2-6
FLYWHEEL AND HOUSING	
LPG AND DIESEL .....	2-28
FORK .....	1-28
FREE-LIFT	
THREE STAGE FULL FREE-LIFT .....	10-12
FREE-LIFT CYLINDER	
THREE STAGE FULL FREE-LIFT .....	10-14
FUEL FILTER	
TIER II	
DIESEL .....	3-12
FUEL INJECTION PUMP	
DIESEL TIER II	
⇒S/N C024V01751B .....	2-64

**TABLE OF CONTENTS (Continued)**

DESCRIPTION	PAGE
<b>F (continued)</b>	
WITH BLEED BACK SYSTEM	
S/N C024V01752B⇒ .....	2-66
FUEL SUPPLY SYSTEM	
DIESEL TIER II	
SHEET 1 OF 2 .....	3-6
SHEET 2 OF 2 .....	3-8
LPG .....	3-14
FULL SUSPENSION SEAT	
PENDING PER ECN 74932⇒ .....	1-22
SHEET 1 OF 2	
⇒PENDING PER ECN 74932 .....	1-18
SHEET 2 OF 2	
⇒PENDING PER ECN 74932 .....	1-20
<b>G</b>	
GAUGE CLUSTER .....	4-26
GENERAL TRUCK .....	1-2
<b>H</b>	
HEADER HOSE	
THREE STAGE FULL FREE-LIFT .....	11-4
TWO STAGE LIMITED FREE-LIFT .....	11-2
HOOD .....	1-6
HYDRAULIC FILTER .....	8-18
HYDRAULIC PUMP	
AND	
ATTACHING PARTS	
PENDING PER ECN 100183⇒ .....	8-6
⇒Pending Per ECN 100183 .....	8-4
HYDRAULIC SYSTEM .....	8-2
<b>I</b>	
INNER MAST	
THREE STAGE FULL FREE-LIFT .....	10-6
TWO STAGE LIMITED FREE-LIFT .....	9-4
INSTRUMENT PANEL .....	4-2
INTERMEDIATE MAST	
THREE STAGE FULL FREE-LIFT .....	10-4
<b>L</b>	
LABELS .....	1-5
LIFT	
TWO STAGE LIMITED FREE-LIFT .....	9-6
LIFT CYLINDER	
TWO STAGE LIMITED FREE-LIFT .....	9-8
LOAD BACKREST EXTENSION .....	1-26
LPG REGULATOR AND LOCK-OFF .....	3-20

## TABLE OF CONTENTS (Continued)

DESCRIPTION	PAGE
<b>M</b>	
MAIN LIFT	
THREE STAGE FULL FREE-LIFT .....	10-8
MAIN LIFT CYLINDER	
THREE STAGE FULL FREE-LIFT .....	10-10
MONOTROL PEDAL .....	3-28
<b>N</b>	
NON-SUSPENSION SEAT	
PENDING PER ECN 74932⇒ .....	1-16
<b>O</b>	
OIL COOLER	
DIESEL TIER II .....	2-62
OIL FILTER	
DIESEL TIER II .....	2-60
OIL PAN AND PUMP	
DIESEL TIER II .....	2-52
OIL PUMP	
LPG .....	2-42
OUTER MAST	
THREE STAGE FULL FREE-LIFT .....	10-2
TWO STAGE LIMITED FREE-LIFT .....	9-2
OVERHEAD GUARD .....	1-25
<b>P</b>	
PARK BRAKE .....	7-16
PEDAL LINKAGE	
POWERSHIFT	
PENDING PER ECN 74932⇒ .....	7-6
⇒PENDING PER ECN 74932 .....	7-2
PUMP ADAPTER	
DIESEL TIER II .....	8-14
<b>R</b>	
RADIATOR	
LPG .....	2-4
<b>S</b>	
SEAT	
STANDARD WITH OPERATOR RESTRAINT	
DIESEL TIER II	
⇒PENDING PER ECN 74932 .....	1-14
LPG	
⇒PENDING PER ECN 74932 .....	1-12
SEAT MOUNTING	
FULL SUSPENSION	
⇒PENDING PER ECN 74932 .....	1-24
STARTER MOTOR	
DIESEL TIER II .....	4-22
LPG .....	4-20

**TABLE OF CONTENTS (Continued)**

DESCRIPTION	PAGE
<b>S (continued)</b>	
STEERING AXLE .....	6-6
STEERING COLUMN .....	6-2
STEERING CONTROL UNIT .....	6-14
STEERING CYLINDER	
PENDING PER ECN 10403002⇒ .....	6-12
⇒PENDING PER ECN 10403002 .....	6-10
STEERING HYDRAULICS .....	8-8
STEERING PUMP .....	8-12
<b>T</b>	
THROTTLE BODY AND LPG MIXER .....	3-18
THROTTLE LINKAGE	
LPG AND DIESEL .....	3-22
TILT CYLINDER .....	8-20
TIMING GEAR	
DIESEL TIER II .....	2-56
TORQUE CONVERTER	
POWERSHIFT .....	5-26
TRANSMISSION	
POWERSHIFT .....	5-2
TRANSMISSION CONTROL LINKAGE	
FORWARD AND REVERSE LEVER	
PENDING PER ECN 74932⇒ .....	5-16
POWERSHIFT .....	5-12
TRANSMISSION CONTROL VALVE	
POWERSHIFT .....	5-8
TRANSMISSION GEARS	
POWERSHIFT .....	5-6
TRANSMISSION HYDRAULIC	
POWERSHIFT .....	8-16
<b>U</b>	
UNIVERSAL JOINT	
POWERSHIFT .....	5-27
<b>V</b>	
VALVE COVER AND INLET MANIFOLD	
LPG .....	2-36
VALVE COVER AND ROCKER ARM SHAFT	
DIESEL TIER II .....	2-48
<b>W</b>	
WATER PUMP AND OUTLET	
DIESEL TIER II .....	2-54
WATER SEPARATOR	
TIER II	
DIESEL .....	3-11
WIRE HARNESS	
COWL	

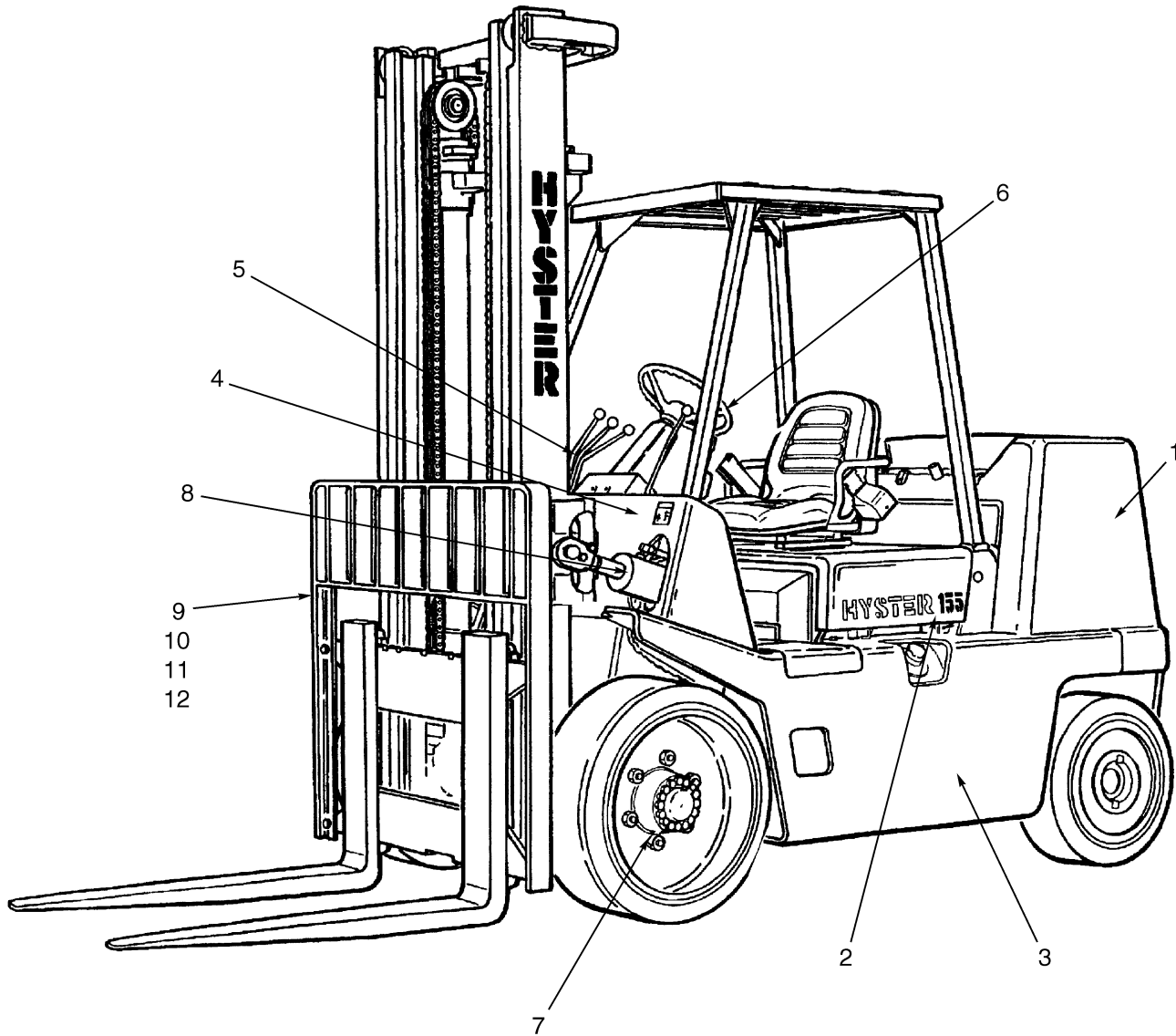
**TABLE OF CONTENTS (Continued)**

<b>DESCRIPTION</b>	<b>PAGE</b>
<b>W</b> (continued)	
DIESEL TIER II .....	4-36
LPG .....	4-34
ENGINE, LPG, GM 4.3L	
SHEET 1 OF 2 .....	4-38
SHEET 2 OF 2 .....	4-40
FORWARD AND REVERSE LEVER	
⇒PENDING PER ECN 74932 .....	4-33
INTERFACE .....	4-30
LPG REGULATOR	
GM 4.3L.....	4-42
NEUTRAL START .....	4-32
OPERATOR PRESENCE SYSTEM	
PENDING PER ECN 74932⇒ .....	4-44
WIRE HARNESS (ENGINE)	
DIESEL TIER II .....	4-28

**SECTION 1  
FRAME**

<b>DESCRIPTION</b>	<b>PAGE</b>
COUNTERWEIGHT .....	1-8
COWL AND FLOOR PLATES .....	1-10
FORK.....	1-28
FULL SUSPENSION SEAT	
PENDING PER ECN 74932⇒ .....	1-22
SHEET 1 OF 2	
⇒PENDING PER ECN 74932 .....	1-18
SHEET 2 OF 2	
⇒PENDING PER ECN 74932 .....	1-20
GENERAL TRUCK .....	1-2
HOOD.....	1-6
LABELS.....	1-5
LOAD BACKREST EXTENSION.....	1-26
NON-SUSPENSION SEAT	
PENDING PER ECN 74932⇒ .....	1-16
OVERHEAD GUARD.....	1-25
SEAT	
STANDARD WITH OPERATOR RESTRAINT	
DIESEL TIER II	
⇒PENDING PER ECN 74932 .....	1-14
LPG	
⇒PENDING PER ECN 74932 .....	1-12
SEAT MOUNTING	
FULL SUSPENSION	
⇒PENDING PER ECN 74932 .....	1-24

## GENERAL TRUCK (Figure 1-1)

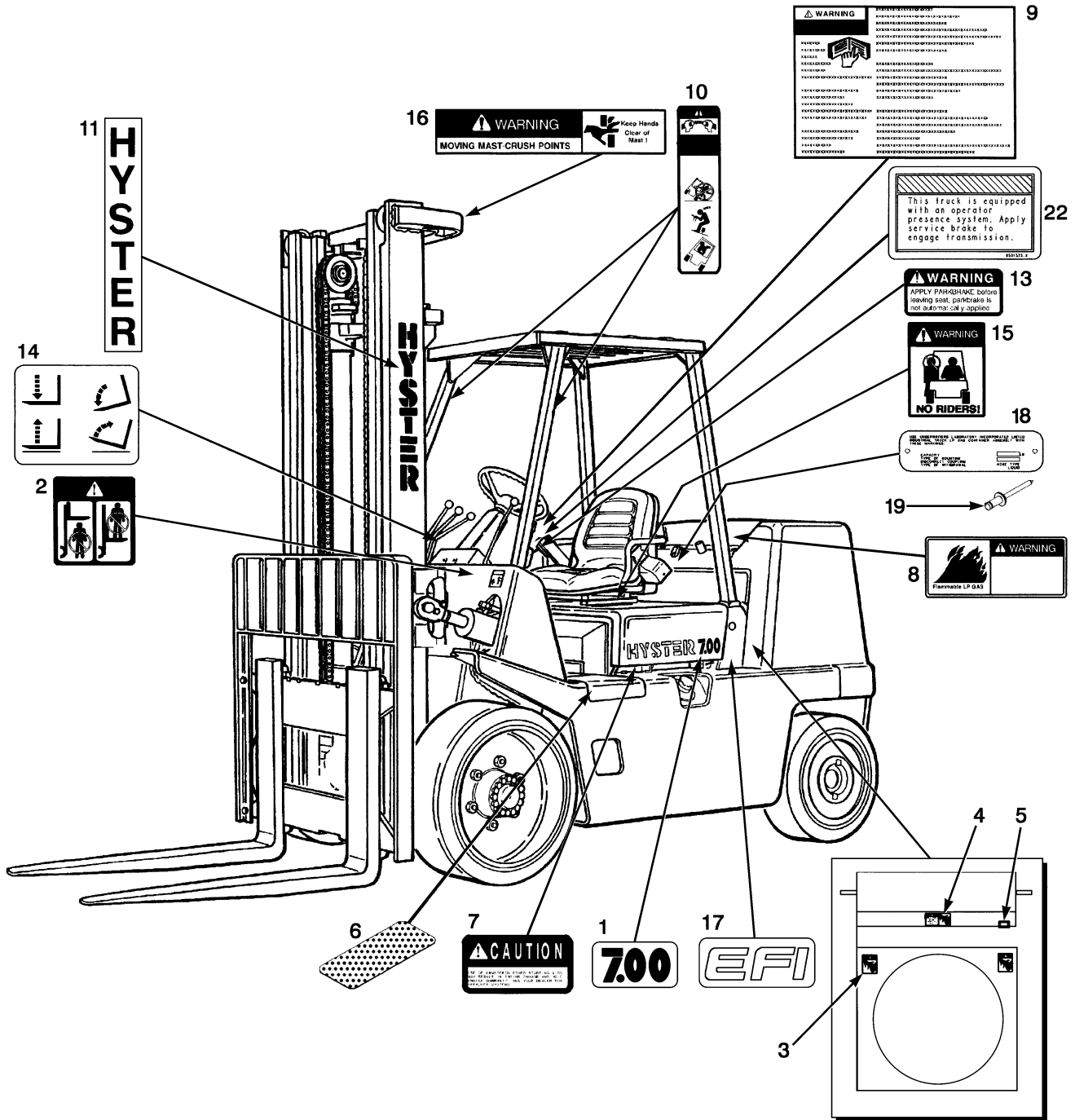


HP120704

**GENERAL TRUCK**

ITEM	PART NO.	DESCRIPTION	QTY
1	.....	COUNTERWEIGHT (☞ Figure 1-4) .....	1
2	.....	ENGINE(S) (☞ Figure 2-10, ☞ Figure 2-18) .....	1
3	.....	FUEL SYSTEM (☞ Figure 3-7, ☞ Figure 3-3) .....	1
4	.....	ELECTRICAL SYSTEM (☞ Figure 4-2, ☞ Figure 4-4) .....	1
5	.....	TRANSMISSION (☞ Figure 5-1) .....	1
6	.....	STEERING SYSTEM (☞ Figure 6-2) .....	1
7	.....	BRAKE SYSTEM (☞ Figure 7-3) .....	1
8	.....	HYDRAULIC SYSTEM (☞ Figure 8-1) .....	1
9	.....	MAST-TWO STAGE LIMITED FREE-LIFT (☞ Figure 9-1) .....	1
10	.....	MAST-THREE STAGE FULL FREE-LIFT (☞ Figure 10-1) .....	1
11	.....	OPTIONS (☞ Figure 11-1) .....	1
12	.....	CARRIAGE (☞ Figure 9-5, ☞ Figure 10-8) .....	1

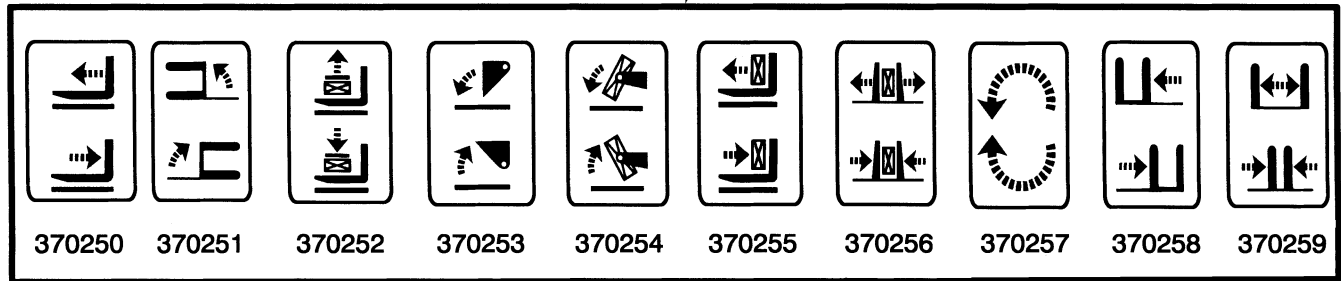
## LABELS (Figure 1-2)



HP120724

**LABELS**

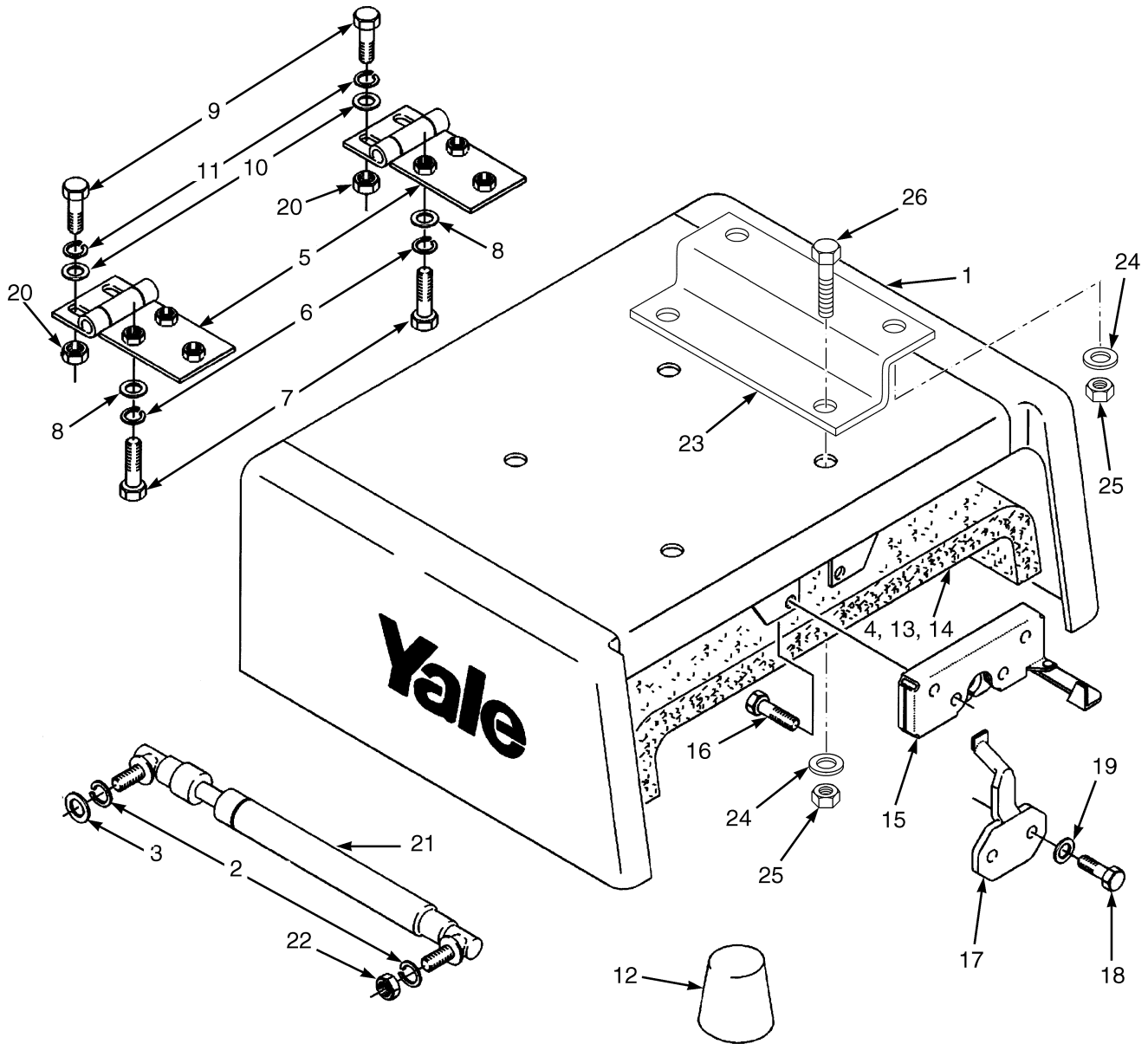
12



HP120049

ITEM	PART NO.	DESCRIPTION	QTY
1	380335	Label (Model 6.00).....	2
1	380336	Label (Model 7.00).....	2
2	1339830	Label (Mast Warning) .....	2
3	1300094	Label (Fan Warning) .....	2
4	1345926	Label (Fan Warning) .....	1
5	1354165	Label (Anti-freeze) .....	1
6	1308608	Floormat .....	1
7	2034459	Label (Ether Warning).....	1
8	1316445	Label (Flammable LP Gas).....	1
9	1366725	Label (Operator Warning).....	1
10	1359588	Label (Operator Restraint).....	2
11	1344132	Label (Hyster) .....	2
11	1345836	Label (Hyster) .....	2
12	370250	Label (Auxiliary Function - Reach) .....	1
12	370251	Label (Auxiliary Function - Swing) .....	1
12	370252	Label (Auxiliary Function - Stabilizer) .....	1
12	370253	Label (Auxiliary Function - Dump/Scoop) .....	1
12	370254	Label (Auxiliary Function - Upender) .....	1
12	370255	Label (Auxiliary Function - Push/Pull).....	1
12	370256	Label (Auxiliary Function - Clamp) .....	1
12	370257	Label (Auxiliary Function - Rotate) .....	1
12	370258	Label (Auxiliary Function - Side-Shift) .....	1
12	370259	Label (Auxiliary Function - Fork Spreader).....	1
13	1357001	Label (Park Brake Warning).....	1
14	369573	Label (Lift/Tilt).....	1
15	1339828	Label (No Riders) .....	2
16	1343276	Label (Mast Warning) .....	1
17	1345998	Label (EFI).....	2
18	1501259	Label (LPG Tank).....	1
19	170658	Rivet.....	2
19	340044	Gripnail (Optional) .....	2
20	2080140	Label Operator Presence System.....	1
	320037	Label (Patent Plate) (Not Illustrated) .....	1
	170658	Rivet (Not Illustrated) .....	4

## HOOD (Figure 1-3)



HP120892

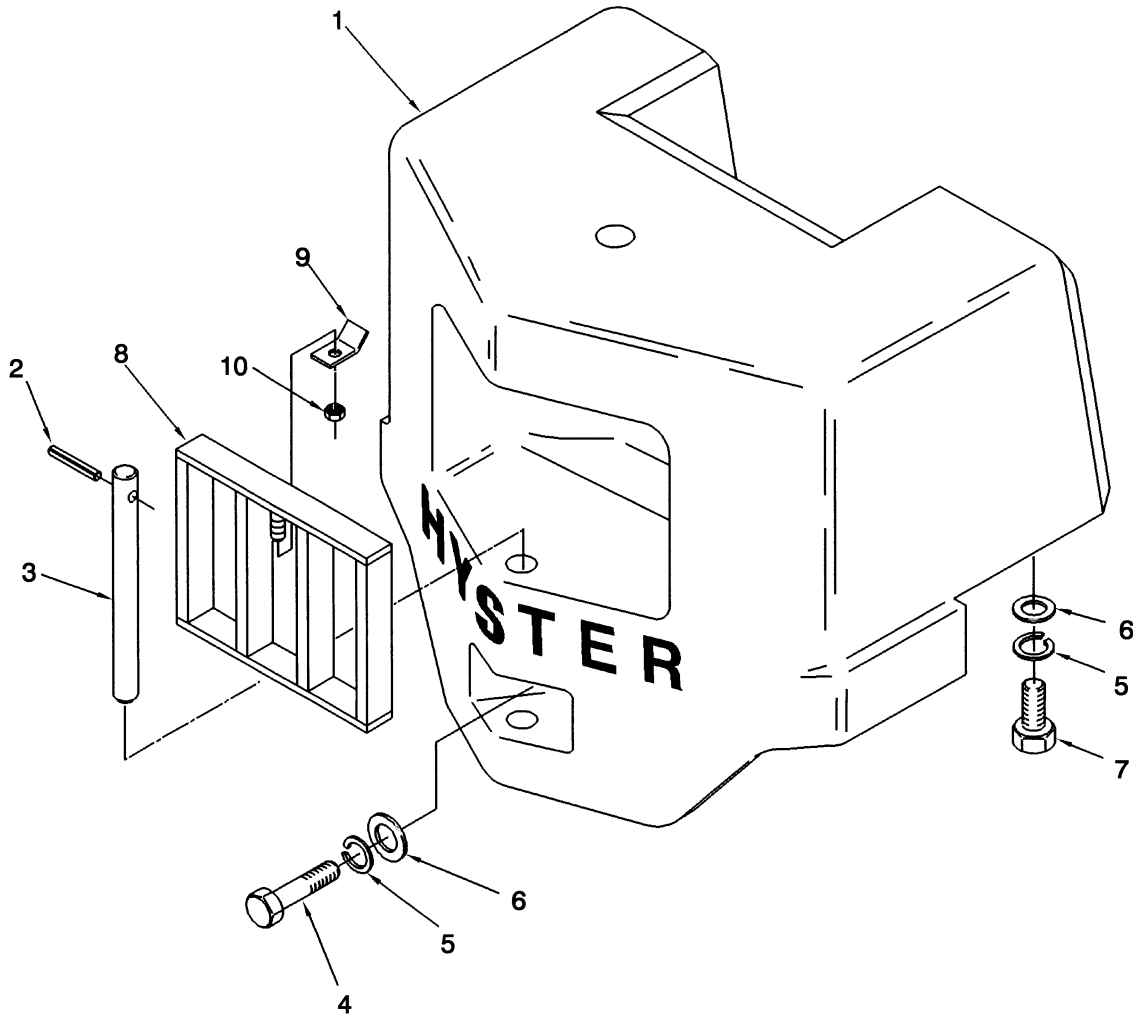
**HOOD**

ITEM	PART NO.	DESCRIPTION	QTY
1	<b>c</b> 1386222	Hood .....	1
1	<b>d</b> 1611189	Hood .....	1
1	<b>c</b> 1562344	Hood (Vented).....	1
1	<b>d</b> 1611190	Hood (Vented).....	1
2	292681	Lockwasher.....	12
3	320157	Washer .....	5
4	353191	Tape (54.9 m [180 ft.] ) .....	AR
5	1331039	Hinge .....	2
6	292681	Lockwasher.....	6
7	136681	Capscrew.....	10
8	1300117	Washer .....	6
9	136985	Capscrew.....	4
10	320157	Washer .....	4
11	292681	Lockwasher.....	4
12	1320610	Bumper .....	2
13	1456793	Hood Liner .....	1
14	1304971	Fastener (Not Illustrated) .....	13
15	364857	Latch .....	1
16	199563	Capscrew.....	4
17	364861	Plate (Striker).....	1
18	302334	Capscrew.....	2
19	320160	Washer .....	2
20	239503	Nut .....	4
21	<b>a</b> 353021	Gas Spring.....	1
22	303117	Nut .....	1
23	<b>bd</b> 1602917	Bracket.....	1
24	<b>bd</b> 15175	Washer .....	4
25	<b>bd</b> 145639	Nut .....	4
26	<b>bd</b> 16836	Capscrew.....	2

**FOOTNOTES:**

- a** Trucks with full suspension seats use two gas springs and hardware  
**b** With Full Suspension Seat  
**c** ⇒ PENDING PER ECN 74932  
**d** PENDING PER ECN 74932 ⇒

## COUNTERWEIGHT (Figure 1-4)



HP120697

**COUNTERWEIGHT**

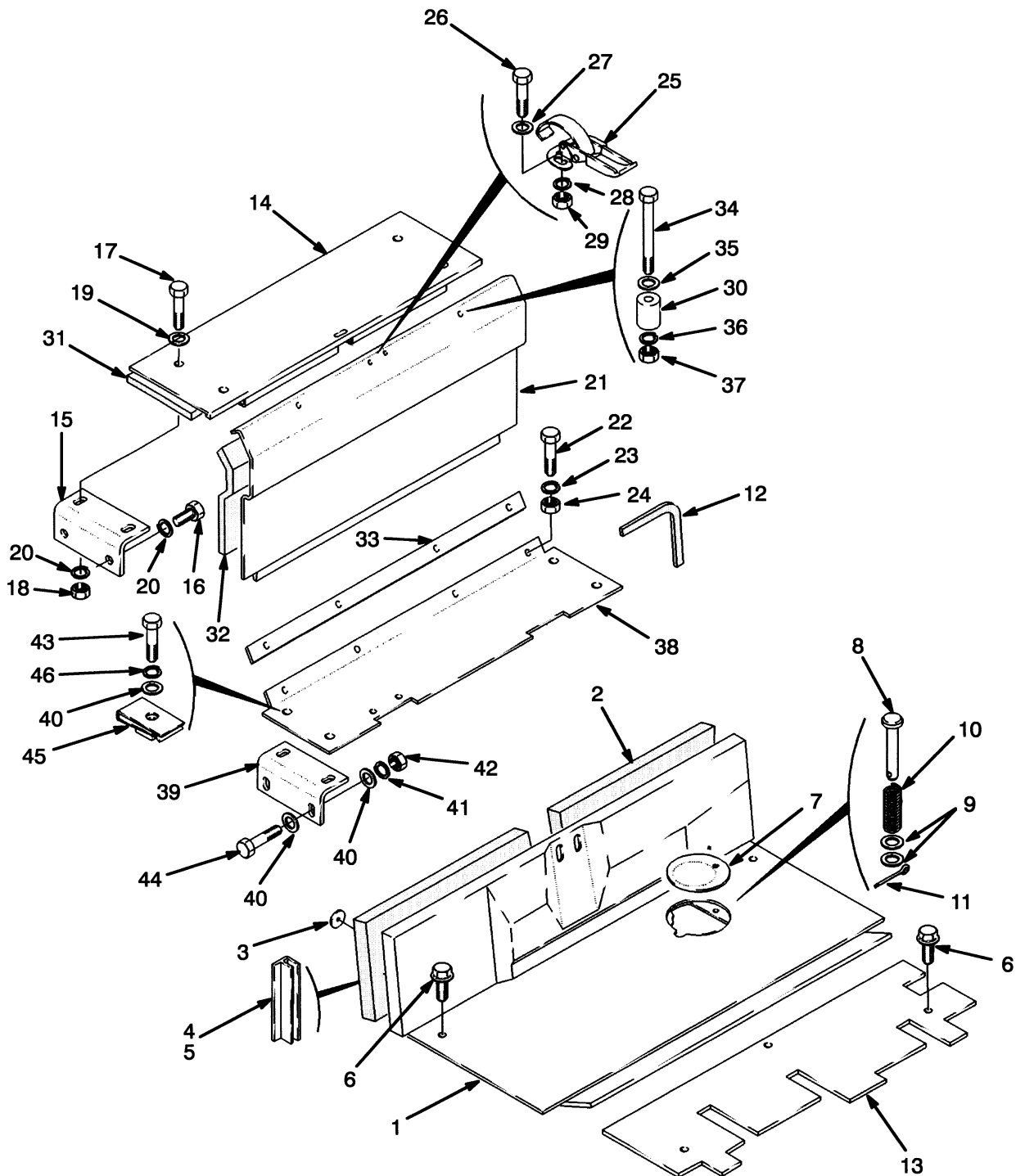
**KEY:**

**A: S6.00XL**

**B: S7.00XL**

ITEM	PART NO.	DESCRIPTION	QTY	
			A	B
1	360138	Counterweight .....	1	..
1	360139	Counterweight .....	..	1
2	302492	Pin .....	1	1
3	387473	Tow Pin .....	1	1
4	17395	Capscrew.....	1	1
5	15168	Lockwasher.....	3	3
6	149531	Washer .....	3	3
7	221100	Capscrew.....	2	2
8	1320109	Grill .....	1	1
9	270405	Bracket.....	1	1
10	264144	Nut .....	1	1

## COWL AND FLOOR PLATES (Figure 1-5)

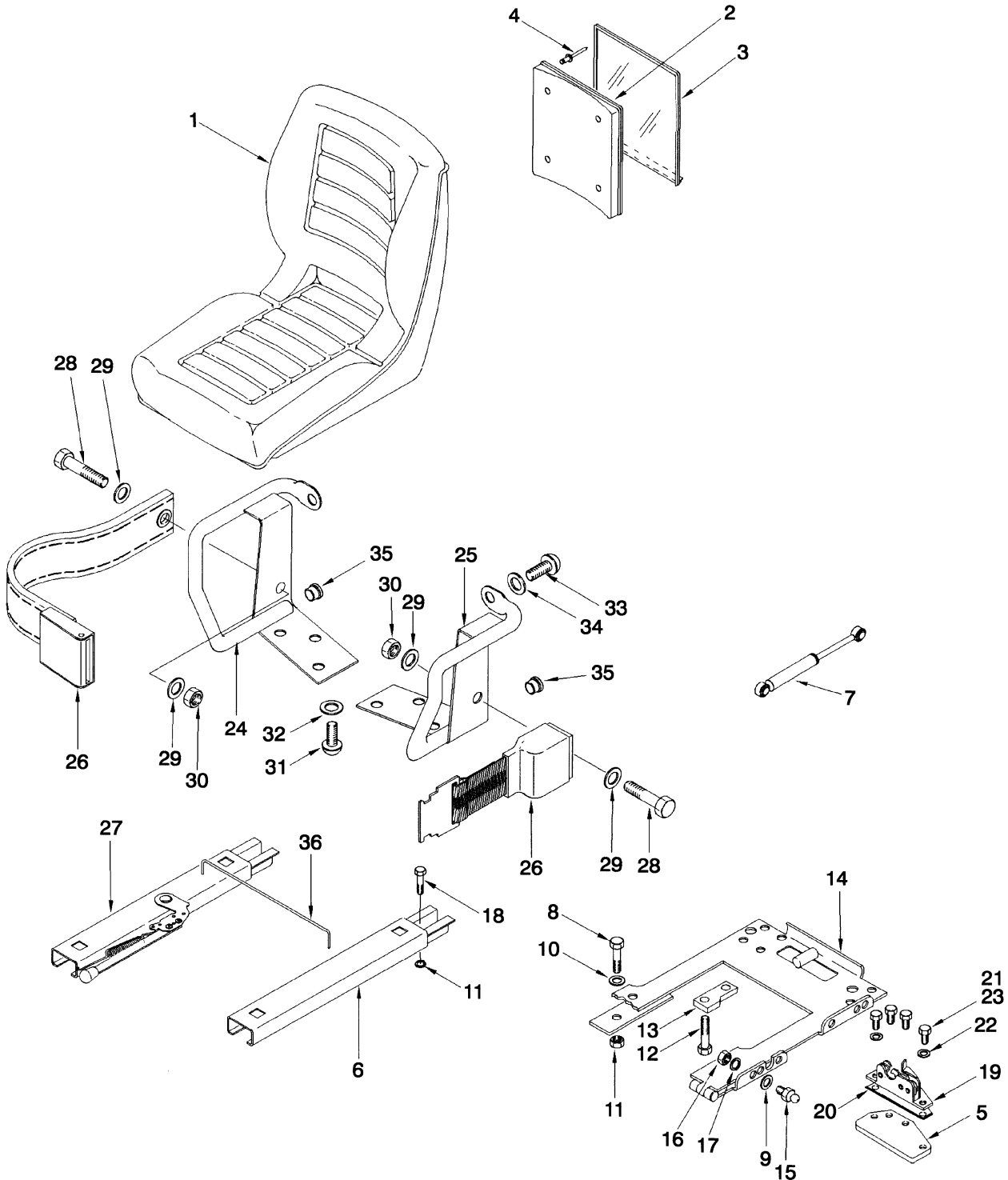


HP120052

**COWL AND FLOOR PLATES**

ITEM	PART NO.	DESCRIPTION	QTY
1	1303142	Floorplate.....	1
2	364926	Liner.....	1
3	246788	Washer .....	6
4	353204	Trim .....	AR
5	288394	Sealant .....	AR
6	1315402	Screw.....	5
7	313815	Plate .....	1
7	352939	Cover .....	1
8	177590	Rod End Pin .....	1
9	320157	Washer .....	2
10	137122	Spring .....	1
11	15212	Cotter Pin.....	1
12	288762	Tape .....	AR
13	1467733	Floorplate.....	1
14	1303187	Cover .....	1
15	1308607	Bracket.....	2
16	292514	Capscrew.....	4
17	136985	Capscrew.....	4
18	136692	Nut .....	4
19	320160	Washer .....	AR
20	292682	Lockwasher.....	8
21	360174	Door .....	1
22	296161	Capscrew.....	4
23	292680	Lockwasher.....	4
24	136687	Nut .....	4
25	1303185	Latch .....	1
26	296152	Capscrew.....	2
27	320155	Washer .....	2
28	292679	Lockwasher.....	2
29	292668	Nut .....	2
30	1303149	Stop .....	2
31	1303189	Liner (Top) .....	1
32	1303190	Liner (Door) .....	1
33	1303184	Spacer .....	1
34	18126	Capscrew.....	2
35	15127	Washer .....	2
36	15154	Lockwasher.....	2
37	15054	Nut .....	2
38	360597	Plate .....	1
39	360596	Bracket.....	3
40	320160	Washer .....	12
41	292682	Lockwasher.....	4
42	136692	Nut .....	4
43	16805	Capscrew.....	4
44	292517	Capscrew.....	4
45	269200	Nut .....	4
46	15156	Lockwasher.....	4

## SEAT (Figure 1-6) STANDARD WITH OPERATOR RESTRAINT LPG (⇒PENDING PER ECN 74932)

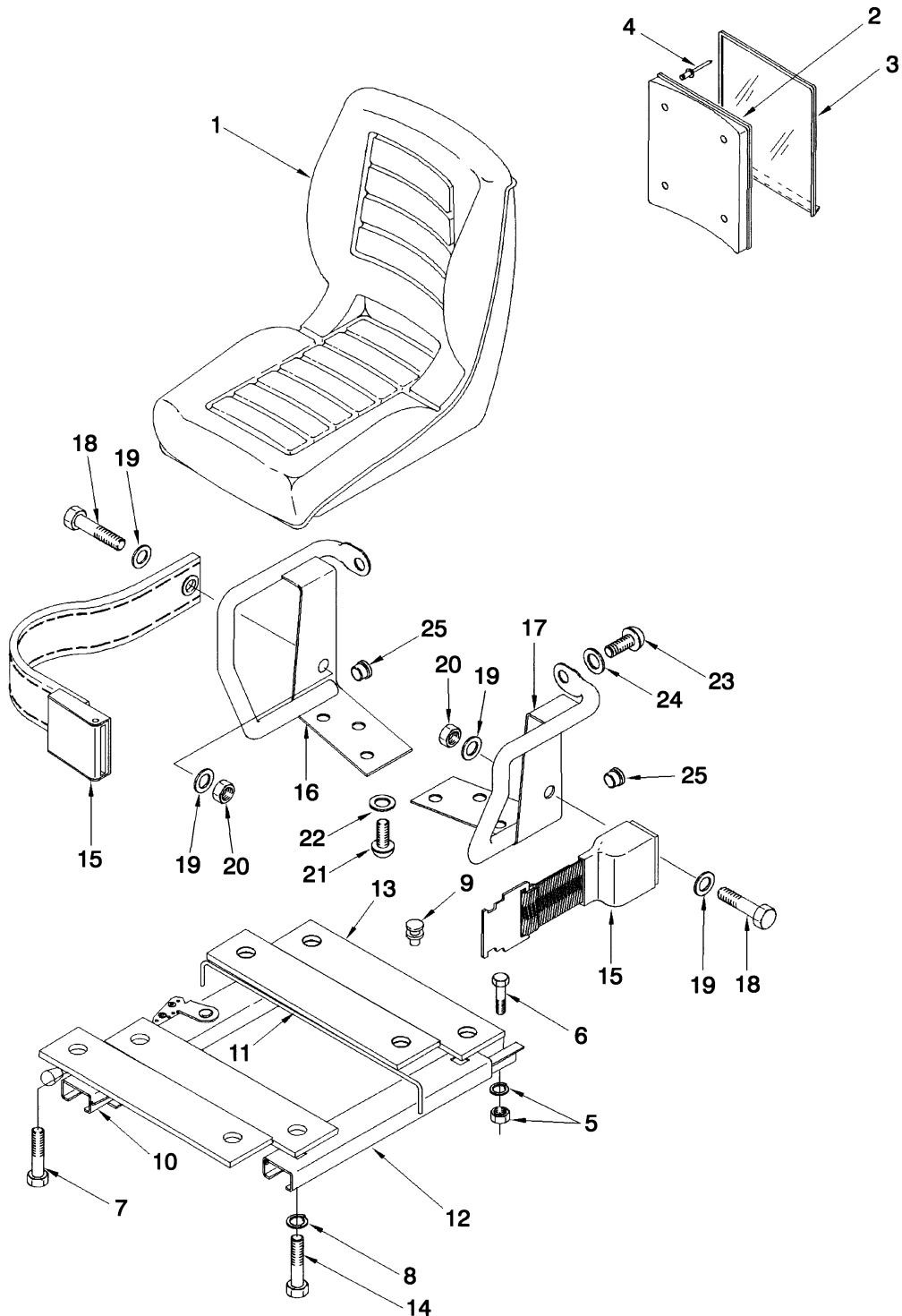


HP120429

**SEAT**  
**STANDARD WITH OPERATOR RESTRAINT**  
**LPG**  
**(⇒PENDING PER ECN 74932)**

ITEM	PART NO.	DESCRIPTION	QTY
1	364911	Seat .....	1
2	335988	Base .....	1
3	335991	Cover .....	1
4	222029	Rivet.....	4
5	1346321	Plate .....	1
6	1300108	Seat Rail (LH).....	1
7	1377992	Gas Spring.....	1
8	16374	Capscrew.....	4
9	320157	Washer .....	2
10	15175	Washer .....	4
11	145639	Nut .....	8
12	309637	Screw.....	4
13	306187	Bumper .....	2
14	1483964	Hinge .....	1
15	379190	Ball Stud .....	2
16	329069	Nut .....	2
17	292681	Lockwasher.....	2
18	16374	Capscrew.....	4
19	1304957	Latch.....	1
20	364940	Shim .....	3
21	221418	Capscrew.....	4
22	15127	Washer .....	2
23	251099	Adhesive .....	AR
24	364807	Hip Restraint (RH) .....	1
25	364808	Hip Restraint (LH).....	1
26	1374750	Seat Belt .....	1
27	383116	Seat Rail (RH) .....	1
28	379199	Capscrew.....	2
29	379697	Washer .....	4
30	379698	Nut .....	2
31	18727	Capscrew.....	4
32	18515	Washer .....	4
33	379197	Capscrew.....	2
34	379198	Washer .....	2
35	364854	Plug .....	2
36	1300107	Rod .....	1

## SEAT (Figure 1-7) STANDARD WITH OPERATOR RESTRAINT DIESEL TIER II (⇒PENDING PER ECN 74932)

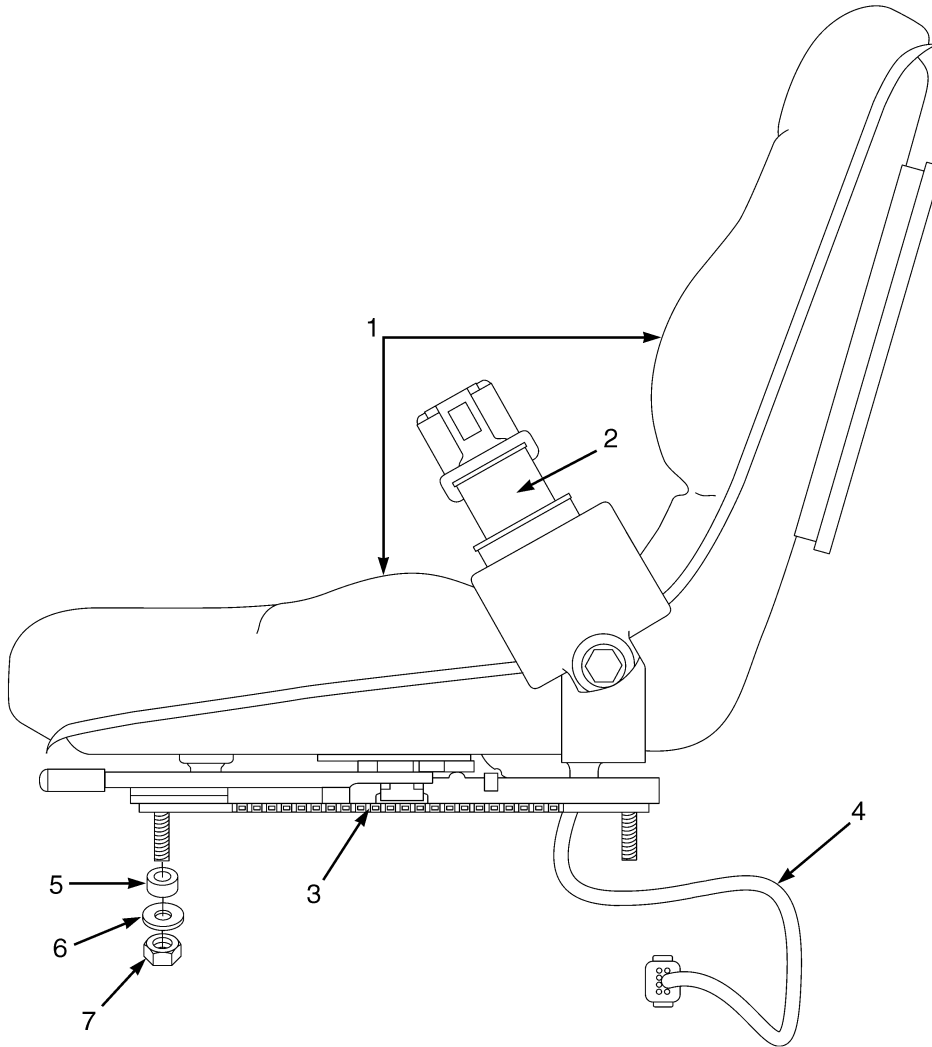


HP120054

**SEAT**  
**STANDARD WITH OPERATOR RESTRAINT**  
**DIESEL TIER II**  
**(⇒PENDING PER ECN 74932)**

ITEM	PART NO.	DESCRIPTION	QTY
1	364911	Seat .....	1
2	335988	Base .....	1
3	335991	Cover .....	1
4	222029	Rivet.....	4
5	145639	Nut .....	4
5	15175	Washer .....	4
6	16374	Capscrew.....	4
7	178598	Capscrew.....	4
8	15155	Lockwasher.....	4
9	1307737	Fastener.....	4
10	1300108	Seat Rail (LH).....	1
11	1300107	Rod .....	1
12	383116	Seat Rail (RH) .....	1
13	353731	Plate .....	2
14	186261	Capscrew.....	4
15	1374750	Seat Belt.....	1
16	364807	Hip Restraint (RH) .....	1
17	364808	Hip Restraint (LH).....	1
18	379199	Capscrew.....	2
19	379697	Washer .....	4
20	379698	Nut .....	2
21	18727	Capscrew.....	4
22	18515	Washer .....	4
23	379197	Capscrew.....	2
24	379198	Washer .....	2
25	364854	Plug .....	2

## NON-SUSPENSION SEAT (Figure 1-8) (PENDING PER ECN 74932⇒)



BP120183



**Suggest:**

**For more complete manuals. Please go to the home page.**

**<https://www.ebooklibonline.com>**

**If the above button click is invalid. Please download this document first, and then click the above link to download the complete manual.**

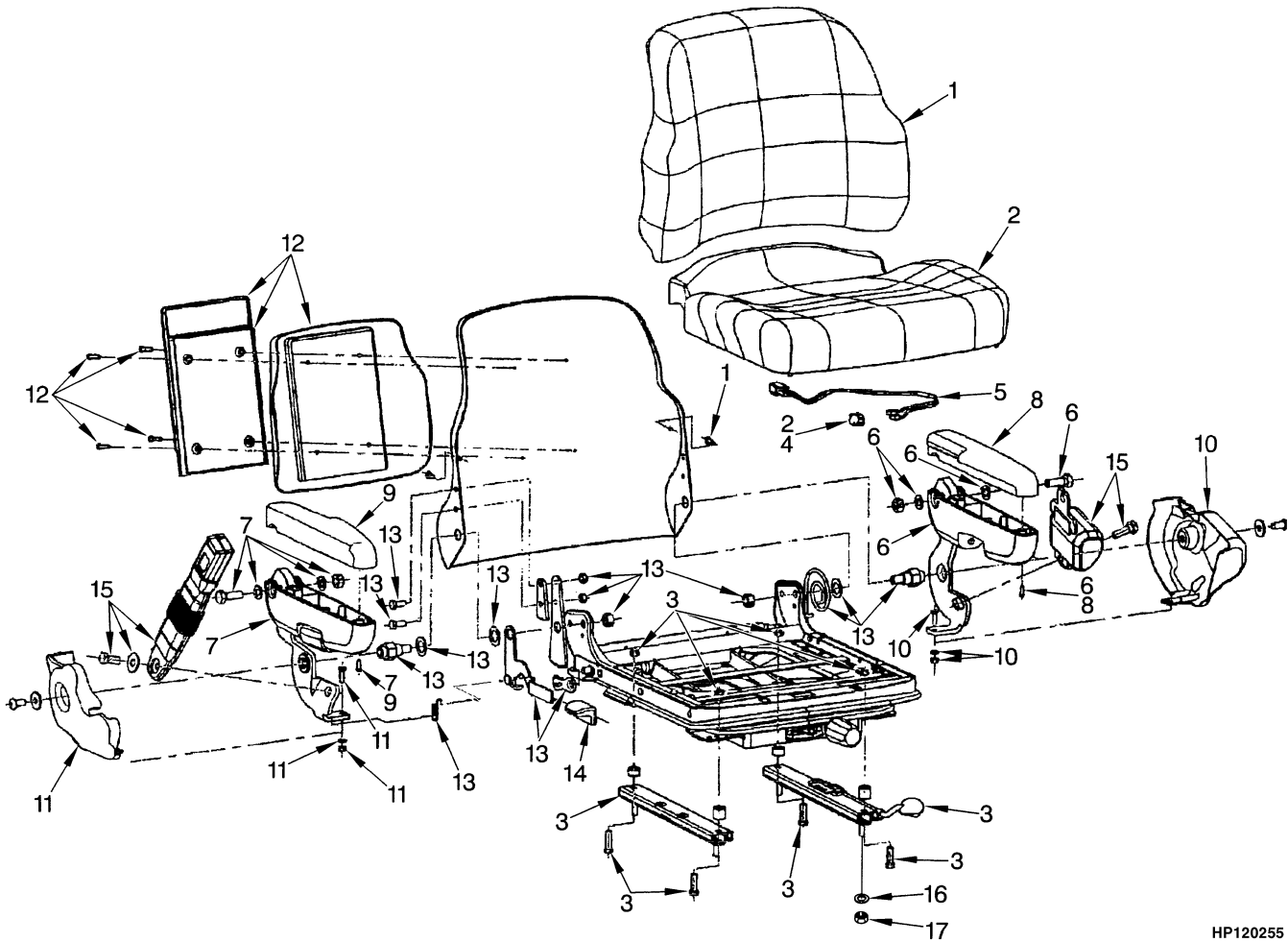
**Thank you so much for reading**

**NON-SUSPENSION SEAT  
(PENDING PER ECN 74932⇒)**

ITEM	PART NO.	DESCRIPTION	QTY
	1593409	Non-Suspension Seat (Vinyl).....	1
1	1563351	Cushions (Vinyl) .....	1
	<b>a</b> 1563215	Sensor (Operator Presence) .....	1
2	1598504	Seat Belt Kit.....	1
3	1459173	Slide Kit .....	1
4	2075429	Wire Harness .....	1
5	1484643	Spacer .....	4
6	15158	Lockwasher.....	4
7	1488609	Special Nut .....	4

**FOOTNOTES:****a** Not Illustrated

## FULL SUSPENSION SEAT (Figure 1-9) SHEET 1 OF 2 (⇒PENDING PER ECN 74932)



HP120255

**<https://www.ebooklibonline.com>**

Hello dear friend!

Thank you very much for reading.

Enter the link into your browser.

The full manual is available for immediate download.

**<https://www.ebooklibonline.com>**