

PARTS MANUAL

YARDMASTER

**HR45H, HR45-25, -31, -36L,
-40LS, -40S
(A227)**

CUSTOMER EDITION

HYSTER

SECTIONS

1	FRAME
2	L/LS FRAME
3	SINGLE FIXED CABIN
4	SINGLE SLIDING CABIN
5	DEMARAIS CABIN
6	DENIZET CABIN
7	ENGINE(S)
8	ELECTRICAL SYSTEM
9	TRANSMISSION
10	DRIVE AXLE
11	STEERING SYSTEM
12	BRAKE SYSTEM
13	HYDRAULIC SYSTEM
14	BOOM
15	L/LS/LSX BOOM
16	WINCH
17	CONTAINER HANDLER B665
18	CONTAINER HANDLER A672
19	STABILIZER

20	LOAD MOMENT LIMITER	
21	OPTIONS	
22	NUMERICAL INDEX	

<https://www.ebooklibonline.com>

Hello dear friend!

Thank you very much for reading.

Enter the link into your browser.

The full manual is available for immediate download.

<https://www.ebooklibonline.com>

TABLE OF CONTENTS

DESCRIPTION	PAGE
A	
ACCELERATOR CONTROL VALVE	
FIXED CABIN	
HR45-25, HR45-31, HR45-40S.....	7-19
SLIDING CAB	
HR45-36L, HR45-40LS	7-20
ACCUMULATOR	
HR45-25, HR45-31, HR45-40S	12-12
HR45-36L, HR45-40LS	12-14
AIR CONDITIONER	
WIDE CAB	
S/N A227J-1514⇒	6-16
AIR CONDITIONING	
SINGLE FIXED AND MOVING CAB	
D/B 09/2001⇒	3-14
AIR FILTER.....	7-2
ALARM ASSEMBLY	8-21
AMPLIFIER	
SLIDING CAB	4-28
ANTI ROCKING CONTROL VALVE	
5H 8 FT. 6 IN.	
HR45-36L, HR45-40LS	15-30
HR45-25, HR45-31, HR45-40S	14-38
ANTI TIPPING SWITCH.....	11-4
B	
BASE ELECTRO VALVE	13-49
BATTERY.....	8-19
BOOM	
5H 8 FT. 6 IN. JIB SECTION P1-P2	
HR45-36L, HR45-40LS	15-6
8 FT. 6 IN. JIB SECTION P1-P2-P3	
HR45-25, HR45-31, HR45-40S.....	14-6
9 FT. 6 IN. JIB SECTION P1-P2-P3.....	14-4
BOOM CIRCUIT	
H45-36L, HR45-40LS	13-18
HR45-25, HR45-31, HR45-40S	13-16
BOOM EXTEND AND RETRACT VALVE.....	13-64
BOOM HEAD	
5H 8 FT. 6 IN.	
HR45-36L, HR45-40LS	15-8
HR45-25, HR45-31, HR45-40S	14-8
BOOM HOIST VALVE	
SHEET 1 OF 2.....	13-60
SHEET 2 OF 2.....	13-62
BOOM PIVOT BEARING	
5H 8 FT. 6 IN.	
HR45-36L, HR45-40LS	15-9
HR45-25, HR45-31, HR45-40S	14-9
BRAKE	
S/N A227J-1547⇒	18-18
BRAKE CIRCUIT	

TABLE OF CONTENTS (Continued)

DESCRIPTION	PAGE
B (continued)	
HR45-25, HR45-31, HR45-40S	12-2
HR45-36L, HR45-40LS	12-3
BRAKE CONTROL CIRCUIT	
SLIDING CAB	4-12
HR45-36L, HR45-40LS	12-24
BRAKE OIL RESERVOIR.....	12-16
BUMPERS	
B665.....	17-8
C	
CAB CONNECTING CIRCUIT	
SLIDING CAB	4-22
CAB DOOR	
LEFT HAND	1-8
RIGHT HAND.....	1-10
SLIDING GLASS	
LEFT HAND	5-8
RIGHT HAND	5-6
CAB RAILS	
SLIDING CAB	4-2
HR45-36L, HR45-40LS	2-6
CAB SUPPORT.....	6-12
DEMARAIS CABIN	5-5
FIXED	3-2
CABIN GLASS.....	3-6
WIDE CAB	5-11
CABIN GLASS AND WIPERS	
WIDE CAB	
S/N A227J-1514⇒	6-14
CABLE AND DECALS	
HR45H	16-20
CABLE GUIDE	
HR45H	16-8
CABLE SUPPORT	
5H 8 FT. 6 IN.	
HR45-36L, HR45-40LS	15-10
BOOM 8 FT. 6 IN.	
HR45-25, HR45-31, HR45-40S.....	14-11
BOOM 9 FT. 6 IN.	
HR45-25, HR45-31, HR45-40S.....	14-10
CABLE WINDER	20-3
CHARGE PUMP AND REGULATOR	9-20
CHARGE PUMP FLANGE	
HR45-25, HR45-31, HR45-40S	9-27
CHASSIS BOX	
LEFT HAND	
HR45-25, HR45-31, HR45-40S.....	1-4
HR45-36L, HR45-40LS	2-4
CLUTCH	

TABLE OF CONTENTS (Continued)

DESCRIPTION	PAGE
C (continued)	
FORWARD.....	9-10
FOURTH SPEED.....	9-18
LOW SPEED.....	9-16
REVERSE AND 2ND SHAFT	9-14
THIRD SPEED.....	9-12
COLD CLIMATE KIT.....	21-36
CONSOLE.....	5-27 3-10
CONTROL BOX.....	18-47
CONTROL BOX MOUNTING	18-48
CONTROL CIRCUIT	
HR45H.....	16-2
CONTROL SWITCH	
HR45H.....	16-21
CONTROL SWITCHES.....	8-24
CONTROL VALVE ASSEMBLY	13-58
HR45H.....	16-18
CONTROL VALVE ATTACHING PARTS	
H45-36L, H45-40LS.....	13-40
HR45-25, HR45-31, HR45-40S	13-38
CONTROL VALVE RELIEF SECTION	13-68
CONTROLLER	
APC 100.....	8-18
CONVERTER HOUSING ASSEMBLY	9-2
COOLING CIRCUIT DRIVE AXLE	
H45-36L, HR45-40LS.....	10-20
HR45-25, HR45-31, HR45-40S	10-18
COUNTERWEIGHT	1-3
CYLINDER POWER PILE SLOPE	18-62
D	
DAMPENING	
5H 8 FT. 6 IN.	
HR45-36L, HR45-40LS	15-20
HR45-25, HR45-31, HR45-40S	14-22
DAMPING CYLINDER	
5H 8 FT. 6 IN.	
HR45-36L, HR45-40LS	15-21
HR45-25, HR45-31, HR45-40S	14-23
DERRICKING	
5H 8 FT. 6 IN.	
HR45-36L, HR45-40LS	15-18
HR45-25, HR45-31, HR45-40S	14-20
DERRICKING CYLINDER	
5H 8 FT. 6 IN.	
HR45-36L, HR45-40LS	15-22
HR45-25, HR45-31, HR45-40S	14-24
DERRICKING CYLINDER CONNECTIONS	
H45-36L, HR45-40LS	15-16
DIFFERENTIAL AND PARK BRAKE	

TABLE OF CONTENTS (Continued)

DESCRIPTION	PAGE
D (continued)	
S/N A227J-1501↔S/N A227J-1516	10-2
S/N A227J-1517⇒	10-6
DIRECTIONAL VALVE	
WITHOUT POWER PILE SLOPE	18-66
DISPLAY AND PRINTER	20-4
DOORS AND STORAGE COVERS	
WIDE CAB	
S/N A227J-1514⇒	6-10
DRIVE AXLE AND END DRIVE	
S/N A227J-1501↔S/N A227J-1516	10-10
S/N A227J-1517⇒	10-12
DRIVE AXLE CONNECTIONS	10-14
DRIVE AXLE U-JOINT	10-15
H45-36L, HR45-40LS	10-16
DRIVE TIRE AND WHEEL	
18 X 25 BRIDESTONE	
HR45-36L, HR45-40LS	21-13
18 X 25 GOODYEAR	
HR45-25, HR45-31, HR45-40S	21-5
18 X 25 MICHELIN	
HR45-25, HR45-31, HR45-40S	21-7
18 X 25 PLAIN	
HR45-25, HR45-31, HR45-40S	21-11
18 X 33 BRIDESTONE	
HR45-36L, HR45-40LS	21-6
18 X 33 GOODYEAR	
HR45-36L, HR45-40LS	
S/N A227J-1538⇒	21-9
18 X 33 MICHELIN	
HR45-36L, HR45-40LS	21-8
21 X 25 BRIDESTONE	21-4
21 X 25 GOOD YEAR	21-3
E	
ELECTRIC CONTROL VALVE	
ELECTRONIC INCHING	9-22
ELECTRICAL	
5H 8 FT. 6 IN.	
HR45-36L, HR45-40LS	15-28
HR45-25, HR45-31, HR45-40S	14-37
WIDE CAB	
S/N A227J-1514⇒	6-28
ELECTRICAL SYSTEM	
POWER PILE SLOPE	17-28
WITHOUT POWER PILE SLOPE	17-26
END BEAMS	18-30
ENGINE COMPONENTS	7-8
ENGINE CONNECTIONS	7-7
ENGINE COOLING SYSTEM	7-13

TABLE OF CONTENTS (Continued)

DESCRIPTION	PAGE
E (continued)	
ENGINE MOUNTING	7-4
EXHAUST	7-3
EXTENSION CABLE SUPPORT	18-40
EXTENSION CYLINDER ASSEMBLY	17-22
F	
FAN MOTOR	7-17
FILTER BRAKE RETURN	12-21
FILTER PUMP CIRCUIT HR45-36L, HR45-40LS	9-28
FILTER TRANSMISSION OIL HR45-25, HR45-31, HR45-40S	9-26
FIREWALL PLATE	5-26 3-22
FITTINGS	
BOOM AND ATTACHMENT	
B665	17-9
FLANGE	
INTERMEDIATE	
S/N A227J-1547⇒	18-16
FLANGE COUPLING	
S/N A227J-1547⇒	18-24
FLOOR PLATES AND COVERS	5-2
FIXED	3-4
SLIDING CAB	
WIDE	
S/N A227J--1514⇒	6-6
WIDE FIXED CAB	
S/N A227J-1514⇒	6-2
FRAME	
HR45-25, HR45-31, HR45-40S	1-2
HR45-36L, HR45-40LS	2-2
FUEL HEATER	
S/N A227J-1547⇒	21-38
FUSE BOX	7-10
FUSE PLATE	8-22
G	
GEAR HOUSING	
S/N A227J-1547⇒	18-14
GEAR SHAFT HOUSING	
S/N A227J-1547⇒	18-22
GENERAL RETURN CIRCUIT	
HR45-25, HR45-31, HR45-40S	13-23
SLIDING CAB	4-14
HR45-36L, HR45-40LS	13-24

TABLE OF CONTENTS (Continued)

DESCRIPTION	PAGE
H	
HOOD	
HR45-25, HR45-31, HR45-40S	1-6
HYDRAULIC CIRCUIT	
CEC	20-2
MAIN	18-50
ROTATOR.....	18-52
SIDE-SHIFT	18-58
TWISTLOCKS.....	18-56
HYDRAULIC CIRCUIT STABILIZER	
HR45-40LS	19-10
HR45-40S	19-11
HYDRAULIC CONTROL CIRCUIT	
HR45-40LS	19-2
HR45-40S	19-4
HYDRAULIC CONTROL VALVE	
HYDRAULIC INCHING	9-24
HYDRAULIC COOLING SYSTEM	
BRAKE OIL	13-53
HYDRAULIC OIL	13-52
SHEET 1 OF 2	
⇒S/N A227-1511	13-4
SHEET 2 OF 2	
S/N A227-1512⇒	13-6
HYDRAULIC FILTER.....	13-56
HYDRAULIC LIFTING JACK	21-34
HYDRAULIC MOTOR SUPPORT	
HR45-36L, HR45-40LS.....	2-12
HYDRAULIC PENDULAR CYLINDER	
WITH POWER PILE SLOPE	17-39
HYDRAULIC RADIATOR.....	13-8
HYDRAULIC STOP KIT	
B665	
OPTIONAL	17-4
HYDRAULIC SUPPLY CIRCUIT	
HR45-40LS	19-12
HR45-40S	19-13
HYDRAULIC SYSTEM	
PILE SLOPE	18-57
TELESCOPING	18-54
WITH POWER PILE SLOPE	17-32
WITHOUT POWER PILE SLOPE.....	17-30
HYDRAULIC TUBING	
5H 8 FT. 6 IN.	
HR45-36L, HR45-40LS	15-4
BOOM 8 FT. 6 IN.	
HR45-25, HR45-31, HR45-40S.....	14-34
BOOM 9 FT. 6 IN.	
HR45-25, HR45-31, HR45-40S.....	14-30
HYDRAULIC TUBING TELESCOPING	
BOOM 9 FT. 6 IN.	
HR45-25, HR45-31, HR45-40S.....	14-14

TABLE OF CONTENTS (Continued)

DESCRIPTION	PAGE
H (continued)	
HYDRAULIC VALVE	
5H 8 FT. 6 IN.	
HR45-36L, HR45-40LS	15-32
HR45-25, HR45-31, HR45-40S	14-40
I	
INSTRUMENT PANEL	8-14
WIDE CAB	
S/N A227J-1514⇒	6-24
J	
JUNCTION BLOCK	
BOOM AND ATTACHMENT	13-48
JOYSTICK	13-46
L	
LABELS	1-14
LEAK OIL CIRCUIT	
HR45-25, HR45-31, HR45-40S	13-26
HR45-36L, HR45-40LS	13-28
SLIDING CAB	4-16
LIGHTS	
5H 8 FT. 6 IN.	
HR45-36L, HR45-40LS	15-35
HR45-25, HR45-31, HR45-40S	14-42-10
HR45-36L, HR45-40LS	8-12
LIMIT SWITCH	
27 DEGREES	
HR45-31, HR45-40S	1-16
HR45-25, HR45-31, HR45-40S	1-12
HR45-36L, HR45-40LS	2-14
SLIDING CAB	4-26
LIMIT SWITCH MOUNTING	
HR45-40LS	19-14
HR45-40S	19-16
LOAD SENSING CIRCUIT	
HR45-25, HR45-31, HR45-40S	13-32
HR45-36L, HR45-40LS	13-33
SLIDING CAB	4-20
LOAD SENSING SWITCH	13-45
LOWER LIMIT SWITCH	
HR45H	16-16
M	
MAIN PUMP	13-71
MAIN PUMP ATTACHING PARTS	13-42
MAIN PUMP CIRCUIT	13-9
MAIN PUMP CONTROL VALVE	13-70
MAIN VALVE	

TABLE OF CONTENTS (Continued)

DESCRIPTION	PAGE
M (continued)	
SPREADER TYPE.....	17-16
MAINFRAME	
B665.....	17-2
O	
OIL COOLER SOLENOID VALVE.....	13-54
OIL RETURN MANIFOLD	13-14
P	
PARK BRAKE	
⇒S/N A227J-1526.....	12-8
S/N A227J-1527⇒.....	12-10
PARK BRAKE CIRCUIT	
SLIDING CAB	
HR45-36L, HR45-40LS	12-22
OPTION.....	4-11
PARK BRAKE CONTROL VALVE	
HR45-36L, HR45-40LS.....	12-20
SLIDING CAB	4-34
PARK BRAKE SOLENOID VALVE	12-17-30
PEDAL ARRANGEMENT	3-16
FIXED CAB	
HR45-25, HR45-31, HR45-40S.....	5-22
SLIDING CAB	
HR45-36L, HR45-40LS	5-24
WIDE	
S/N A227J-1514⇒.....	6-22
WIDE FIXED CAB	
S/N A227J-1514⇒.....	6-20
PILOT CIRCUIT	
HR45-25, HR45-31, HR45-40S	13-21
HR45-36L, HR45-40LS.....	13-22
SLIDING CAB	4-18
PILOT LINES	
SLIDING CAB	
HR45-36L, HR45-40LS	13-34
PRESSURE SWITCH	
H45-36L, HR45-40LS	13-20
PULLEY BLOCK	
HR45H	16-6
PUMP DRIVE AND SHAFT.....	9-6
PUMP DRIVE SHAFT	13-44
R	
RADIATOR	
S/N A227J-1501↔S/N A227J-1511	7-15
S/N A227J-1512⇒.....	7-16
RELAY	
IC 5	8-26

TABLE OF CONTENTS (Continued)

DESCRIPTION	PAGE
R (continued)	
RELAY AND PRINTED CIRCUIT	
IC 4, IC 2.....	8-27
RESERVOIRS	5-30 3-24
ROOF COWLING	8-16
ROTATION VALVE ASSEMBLY	
DUAL SPEED	17-14
ROTATOR ASSEMBLY	
⇒S/N A227J-1546	18-4
S/N A227J-1547⇒	18-6
WITH POWER PILE SLOPE	17-20
WITHOUT POWER PILE SLOPE	17-18
ROTATOR BRAKE RELEASE VALVE	18-61
ROTATOR FRAME.....	18-3
ROTATOR MOTOR AND TRANSMISSION ASSEMBLY	
B665.....	17-10
ROTATOR MOTOR TRANSMISSION	
⇒S/N A227J-1546	18-8
S/N A227J-1547⇒	18-12
ROTATOR VALVE	18-60
ROTATOR VALVE ASSEMBLY	
WITH POWER PILE SLOPE	17-40
S	
SEAT.....	6-13 3-18
DEMARAIS CABIN	5-10
SERVICE BRAKE	
OIL COOLED BRAKE	
⇒S/N A227J-1526	12-4
S/N A227J-1527⇒	12-6
SERVICE BRAKE CONTROL VALVE	
HR45-36L, HR45-40LS.....	12-19
SLIDING CAB	4-32
SIDE-SHIFT CABLE SUPPORT	
⇒S/N A227J-1546	18-41
S/N A227J-1547⇒	18-42
SIDE-SHIFT CYLINDER	18-59-12
SIDE-SHIFT CYLINDER VALVE	18-68
SLIDING BLOCKS	
5H 8 FT. 6 IN.	
HR45-36L, HR45-40LS	
⇒S/N A227J-1546	15-24
S/N A227J-1547⇒	15-26
HR45-25, HR45-31, HR45-40S	
⇒S/N A227J-1546	14-26
S/N A227J-1547⇒	14-28
SLIDING CAB CIRCUIT	
HR45-36L, HR45-40LS.....	13-36
SLIDING FRAME.....	4-4
HR45-36L, HR45-40LS.....	2-10

TABLE OF CONTENTS (Continued)

DESCRIPTION	PAGE
S (continued)	
SOLENOID VALVE	
SLIDING CAB	13-514-29
SOLENOID VALVE BANK	
HR45-40LS	19-6
HR45-40S	19-8
SOLENOID VALVE GROUP	
HR45H	16-17
SOUND REDUCTION	21-32
SPEED CONTROL	7-12
SPREADER CONTROL VALVE	18-64
SPREADER FRAME	
WITH POWER PILE SLOPE	18-28
WITHOUT POWER PILE SLOPE	18-29
SPREADER LIGHTS	18-46
SPREADER VALVE	13-66
STABILIZER CYLINDER	19-18
STABILIZER MOUNTING	19-17
STEER AXLE	
HR45-25	11-10
HR45-31, H45-36L, HR45-40LS, HR45-40S	11-12
STEER AXLE ASSEMBLY	
HR45-25	11-6
HR45-31, HR45-36L, HR45-40LS, HR45-40S	11-8
STEER TIRE AND WHEEL	
18 X 25 BRIDGESTONE	
HR45-25, HR45-31, HR45-40S	
S/N A227J-1538⇒	21-31
18 X 25 BRIDGESTONE	
HR45-25, HR45-31, HR45-40S	
⇒S/N A227J-1537	21-30
18 X 25 GOOD YEAR	
HR45-25, HR45-31, HR45-40S	
⇒S/N A227J-1537	21-18
S/N A227J-1538⇒	21-19
18 X 25 LISSE	
S/N A227J-1538⇒	21-28
18 X 25 MICHELIN	
HR45-24, HR45-31, HR45-40S	
S/N A227J-1538⇒	21-23
HR45-25, HR45-31, HR45-40S	
⇒S/N A227J-1537	21-22
18 X 25 PLAIN	
HR45-25, HR45-31, HR45-40S	21-27
18 X 33 BRIDGESTONE	
HR45-36L, HR45-40LS	
S/N A227J-1538⇒	21-21
18 X 33 BRIDGESTONE	
HR45-36L, HR45-40LS	
⇒S/N A227J-1537	21-20
18 X 33 GOODYEAR	

TABLE OF CONTENTS (Continued)

DESCRIPTION	PAGE
S (continued)	
HR45-36L, HR45-40LS S/N A227J-1538⇒	21-26
18 X 33 MICHELIN HR45-36L, HR45-40LS ⇒S/N A227J-1537	21-24
S/N A227J-1538⇒	21-25
21 X 25 BRIDGESTONE ⇒S/N A227J-1537	21-16
S/N A227J-1538⇒	21-17
21 X 25 GOOD YEAR ⇒S/N A227J-1537	21-14
S/N A227J-1538⇒	21-15
STEERING CIRCUIT H45-36L, HR45-40LS	13-12
HR45-25, HR45-31, HR45-40S	13-10
SLIDING CAB	4-24
STEERING COLUMN ⇒S/N A227J01513	11-2
STORAGE COVERS	5-4
D/B 09/2001⇒	3-20
⇒D/B 09/2001	3-19
SUPPORT SLIDING FRAME	4-6
HR45-36L, HR45-40LS	2-8
SUPPORT SLIDING MOTOR	4-8
T	
TELESCOPING 5H 8 FT. 6 IN. HR45-36L, HR45-40LS ⇒S/N A227J-1546	15-11
S/N A227J-1547⇒	15-12
BOOM 9 FT. 6 IN. HR45-25, HR45-31, HR45-40S ⇒S/N A227J-1546	14-12
S/N A227J-1547⇒	14-13
TELESCOPING CIRCUIT HR45-25, HR45-31, HR45-40S	13-30
HR45-36L, HR45-40LS	13-31
TELESCOPING TRANSMISSION DINAMIC OIL S/N A227J-1547⇒	18-20
MOTOR COMER S/N A227J-1547⇒	18-26
THROTTLE CONTROL VALVES	7-18
TOOL KIT	21-40
TORQUE CONVERTER AND DRIVE PLATE	9-8
TRANSMISSION CASE AND REAR COVER	9-4
TRANSMISSION TELESCOPING MOTOR	18-32
TUBING TELESCOPIC CYLINDER	

TABLE OF CONTENTS (Continued)

DESCRIPTION	PAGE
T (continued)	
5H 8 FT. 6 IN. HR45-36L, HR45-40LS	15-14
BOOM 8 FT. 6 IN. HR45-24, HR45-31, HR45-40S S/N A227J-1547⇒	14-17
HR45-25, HR45-31, HR45-40S	14-19
⇒S/N A227J-1546	14-16
TWIST LOCK ARRANGEMENT	17-34
TWIST LOCK ASSEMBLY	18-37-36
TWIST LOCK CYLINDER	17-38
TWIST LOCK INDICATOR LIGHTS 5H 8 FT. 6 IN. HR45-36L, HR45-40LS	15-34
HR45-25, HR45-31, HR45-40S	14-41
V	
VENTILATION SINGLE FIXED AND MOVING CAB ⇒D/B 09/2001	3-12
SLIDING CAB HR45-36L, HR45-40LS	5-20
WIDE FIXED CAB HR45-25, HR45-31, HR45-40S ⇒S/N A227J-1512	5-16
S/N A227J-1513⇒	5-18
W	
WEAR PADS B665	17-6
⇒S/N A227J-1546	18-34
S/N A227J-1547⇒	18-36
WINCH HR45H	16-12
WINCH ATTACHING PARTS HR45H ⇒S/N A227J-1546	16-9
S/N A227J-1547⇒	16-10
WINCH CIRCUIT HR45H	16-4
WINCH REDUCTION GEAR HR45H	16-14
WINDSHIELD WIPERS	3-8
FIXED CAB HR45-25, HR45-31, HR45-40S	5-12
SLIDING CAB HR45-36L, HR45-40LS	5-14
WIRE HARNESS CAB HR45-25, HR45-31, HR45-40S	8-4

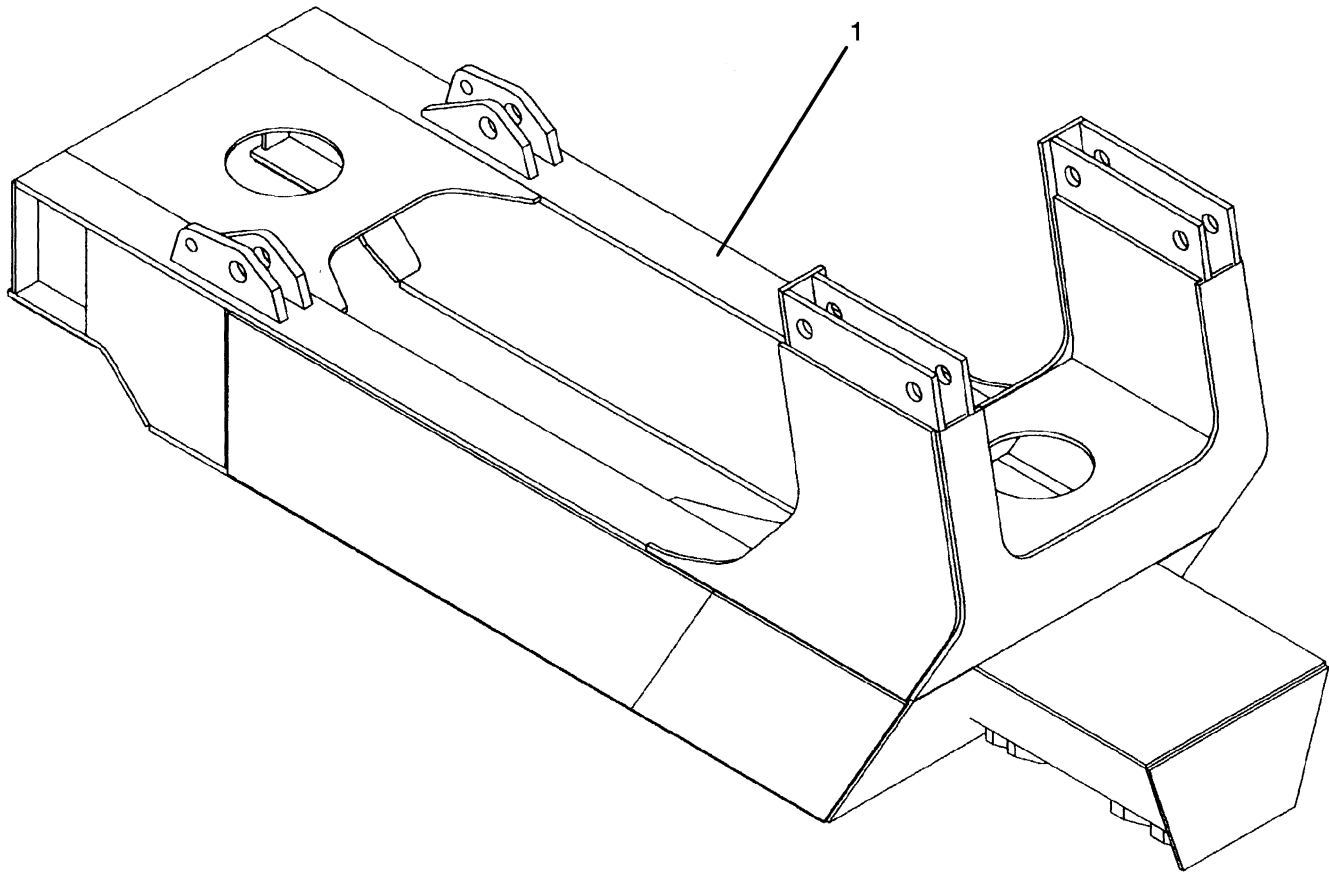
TABLE OF CONTENTS (Continued)

DESCRIPTION	PAGE
W (continued)	
ENGINE	8-6
MAIN	18-44
MAIN FRAME	
HR45-25, HR45-31, HR45-40S	8-2
HR45-36L, HR45-40LS	8-3
SENSORS	18-45
SLIDING CAB	4-10
TRANSMISSION.....	8-8

SECTION 1
FRAME

DESCRIPTION	PAGE
CAB DOOR	
LEFT HAND	1-8
RIGHT HAND.....	1-10
CHASSIS BOX	
LEFT HAND	
HR45-25, HR45-31, HR45-40S.....	1-4
COUNTERWEIGHT	1-3
FRAME	
HR45-25, HR45-31, HR45-40S	1-2
HOOD	
HR45-25, HR45-31, HR45-40S	1-6
LABELS.....	1-14
LIMIT SWITCH	
27 DEGREES	
HR45-31, HR45-40S	1-16
HR45-25, HR45-31, HR45-40S	1-12

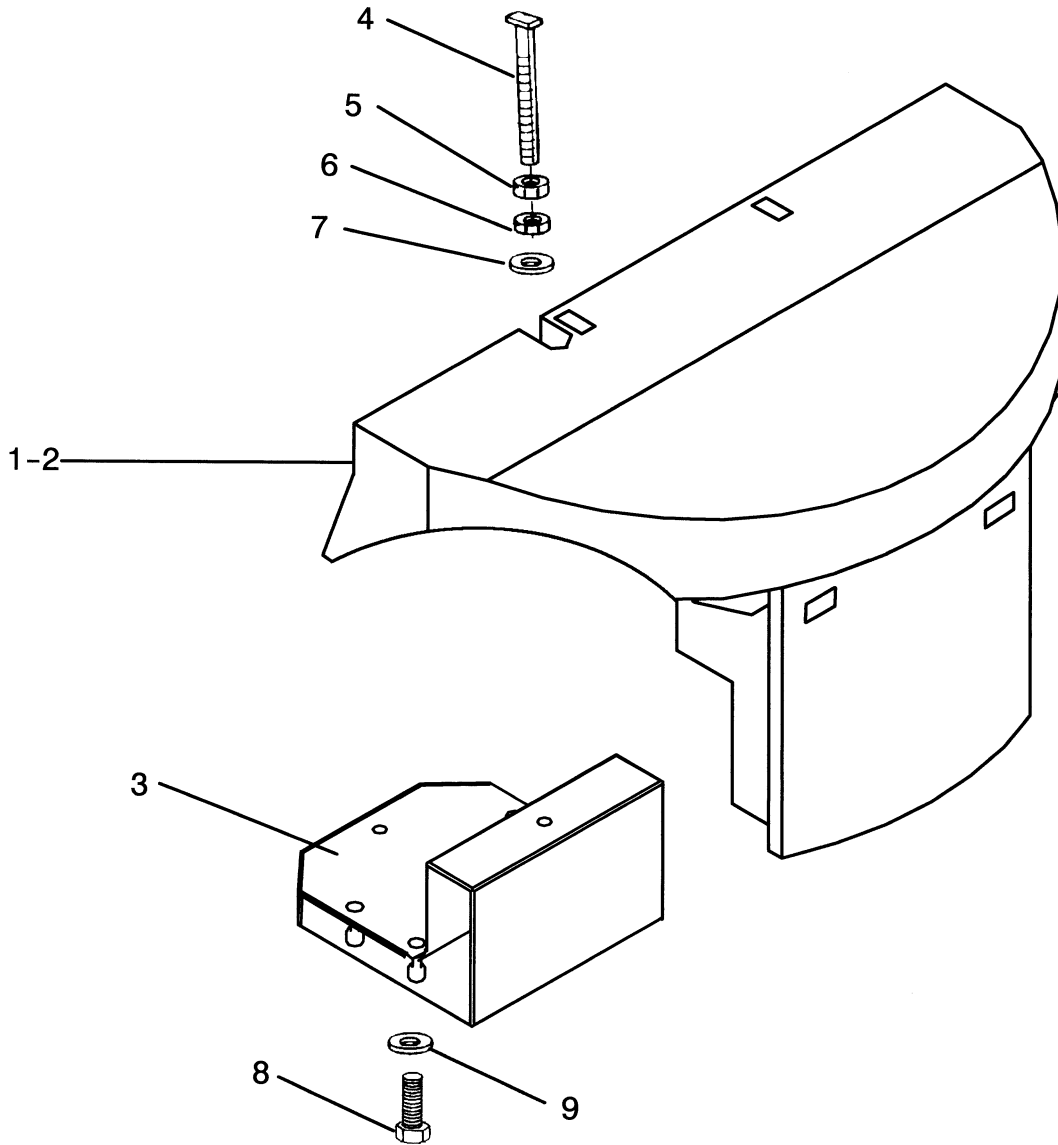
FRAME (Figure 1-1) HR45-25, HR45-31, HR45-40S



HP120599

ITEM	PART NO.	DESCRIPTION	QTY
1	1468878	Frame	1
1	1488109	Frame (RS)	1

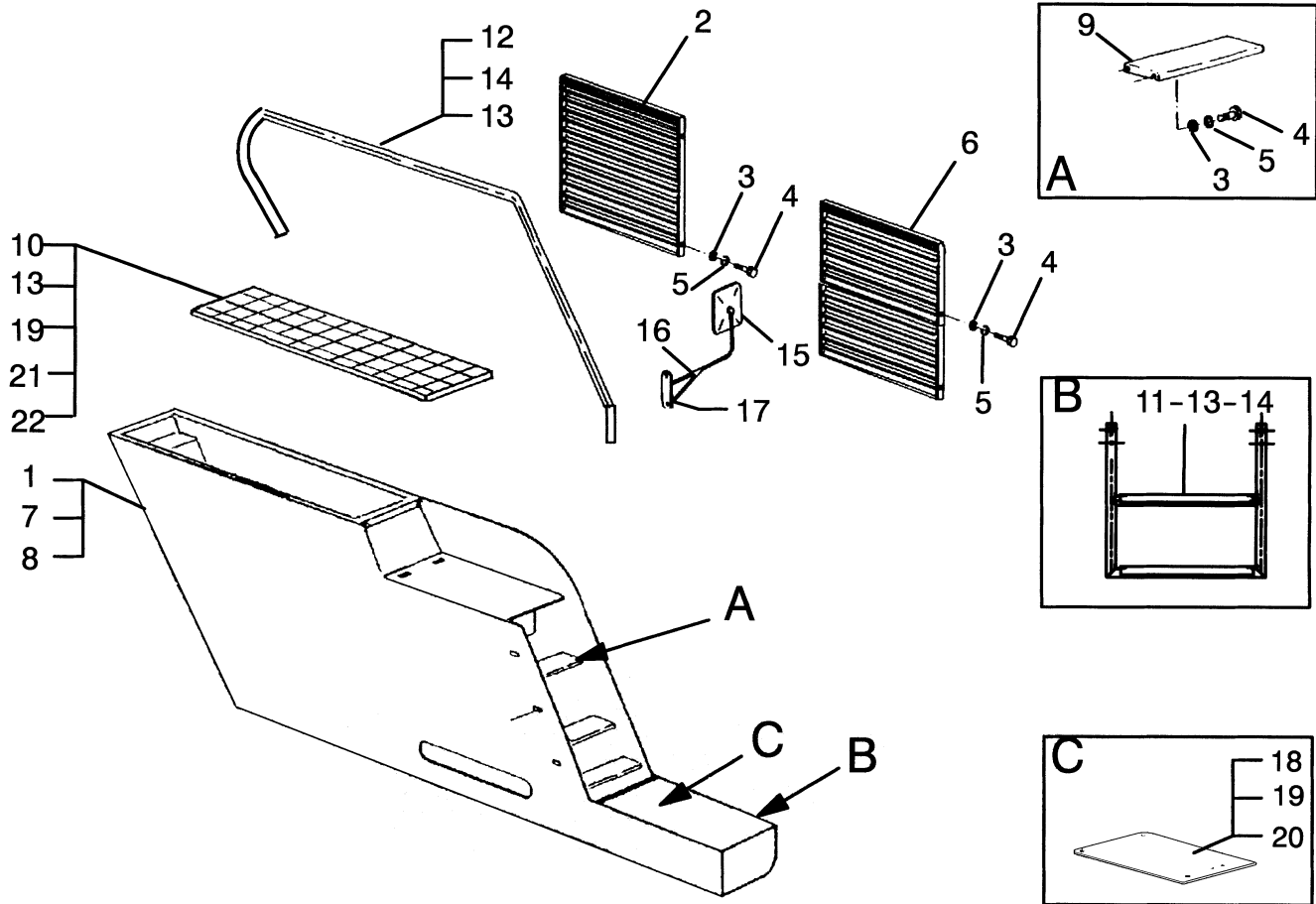
COUNTERWEIGHT (Figure 1-2)



HP120600

ITEM	PART NO.	DESCRIPTION	QTY
1	1468953	Counterweight (HR45-25).....	1
1	1471912	Counterweight (HR45-31, HR45-36L, HR45-40LS).....	1
2	1471913	Counterweight (HR45-40S)	1
3	1468954	Counterweight (HR45H)	1
4	1468955	Bolt	4
5	1468956	Nut	4
6	1468957	Nut	4
7	1468958	Washer	4
8	1468959	Capscrew.....	4
9	1468960	Washer	4

CHASSIS BOX (Figure 1-3) LEFT HAND HR45-25, HR45-31, HR45-40S

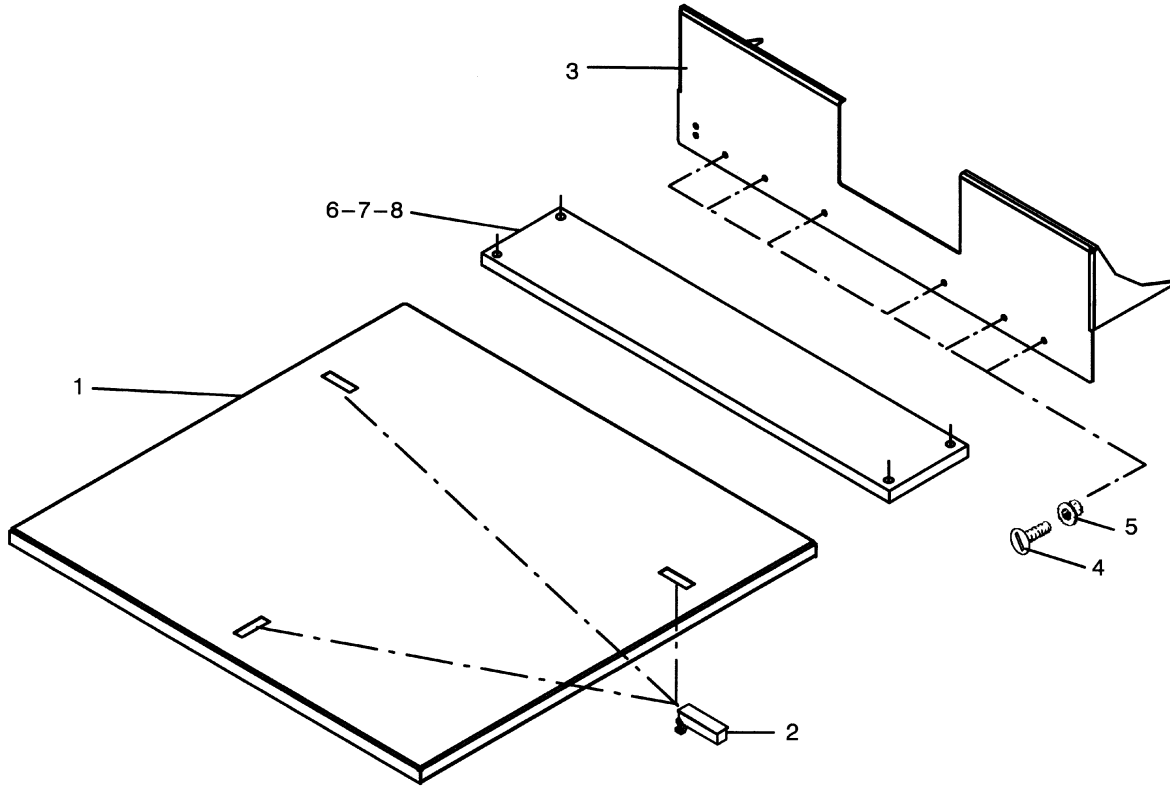


HP120601

**CHASSIS BOX
LEFT HAND
HR45-25, HR45-31, HR45-40S**

ITEM	PART NO.	DESCRIPTION	QTY
1	1468879	Housing	1
2	1468880	Grill	1
3	1468345	Washer	14
4	136681	Capscrew.....	14
5	1468114	Washer	14
6	1468884	Grill	1
7	1488545	Washer	10
8	1468886	Bolt	20
9	1468887	Step	2
10	1468888	Bolt	9
11	1475742	Step	1
12	1527450	Rail	1
13	1468893	Nut.....	18
14	1468894	Screw.....	18
15	1468895	Mirror.....	1
16	1468896	Bracket.....	1
17	1468897	Screw.....	2
18	1468898	Plate	1
19	1468899	Screw.....	4
20	1468900	Catch	4
21	1468901	Fitting.....	4
22	1468902	Grill	1

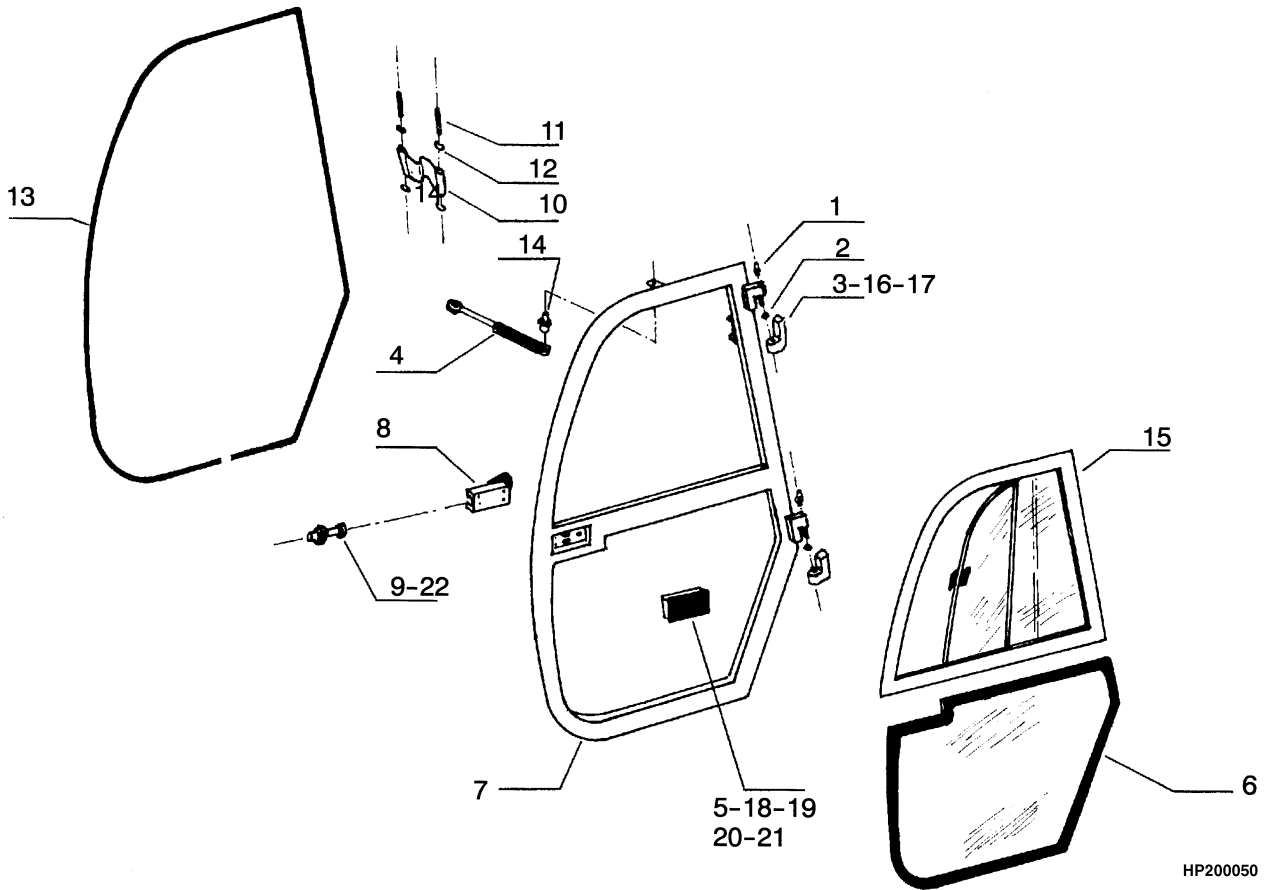
HOOD (Figure 1-4) HR45-25, HR45-31, HR45-40S



HP120602

ITEM	PART NO.	DESCRIPTION	QTY
1	1488548	Cover	1
2	1468934	Catch	3
3	1480298	Cover	1
4	1468224	Bolt	6
5	1468223	Nut	6
6	1488549	Plate	1
7	1488550	Bolt	4
8	1468115	Nut	4

CAB DOOR (Figure 1-5) LEFT HAND

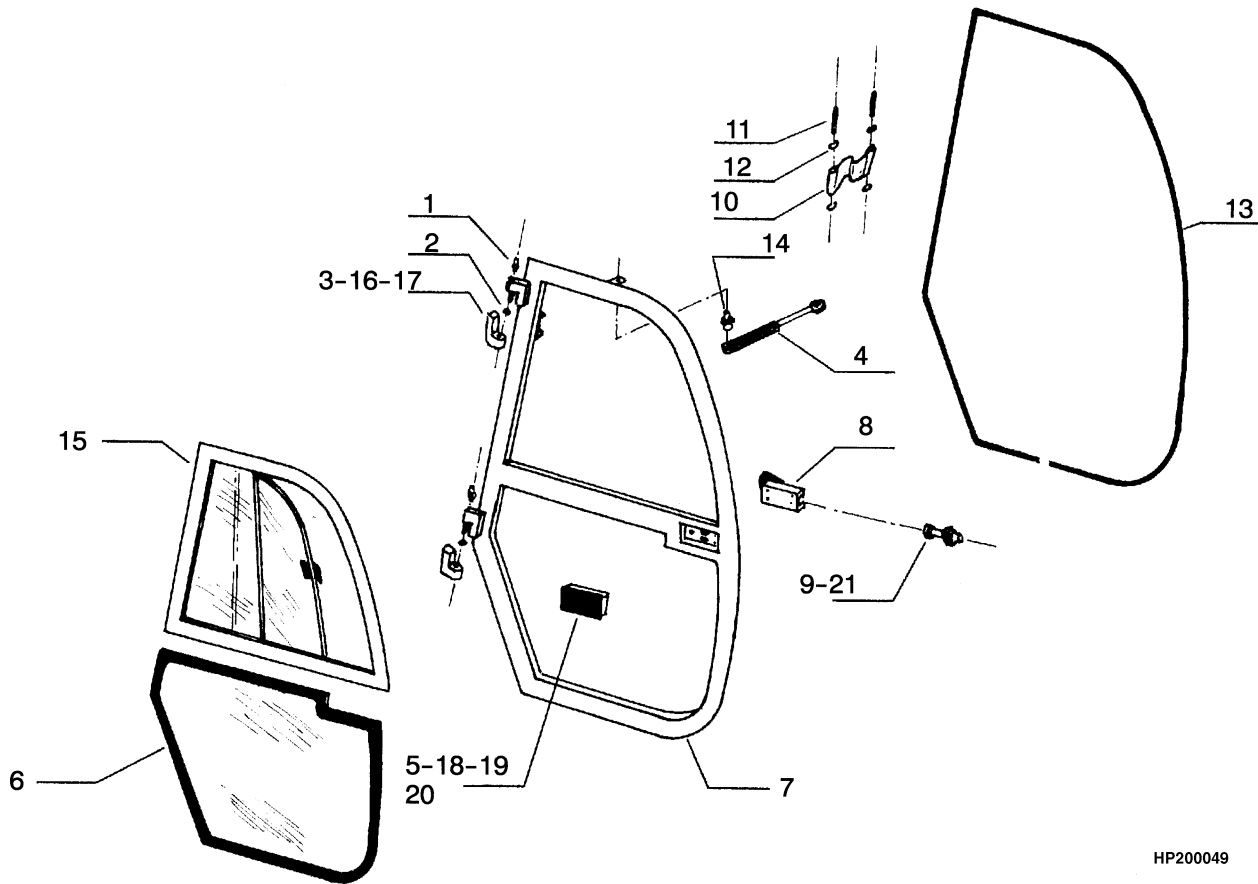


HP200050

**CAB DOOR
LEFT HAND**

ITEM	PART NO.	DESCRIPTION	QTY
	1475949	Door Assembly (LH)	1
1	1469058	Fitting.....	2
2	1469059	Washer	2
3	1469060	Hinge (LH)	2
4	1469061	Cylinder	1
5	1469062	Handle	1
6	1475946	Glass (LH)	1
7	1475947	Frame	1
8	1469065	Lock (LH)	1
9	1469066	Catch	1
10	1469067	Strap.....	1
11	1469068	Pin	1
12	1469069	Ring.....	4
13	1469070	Seal	1
14	1469071	Link.....	2
15	1475948	Glass	1
16	1469073	Bolt	4
17	1469074	Washer	4
18	1469075	Bolt	2
19	1469076	Bolt	2
20	1469077	Bolt	1
21	1469078	Washer	1
22	1469079	Washer	1

CAB DOOR (Figure 1-6) RIGHT HAND



HP200049



Suggest:

For more complete manuals. Please go to the home page.

<https://www.ebooklibonline.com>

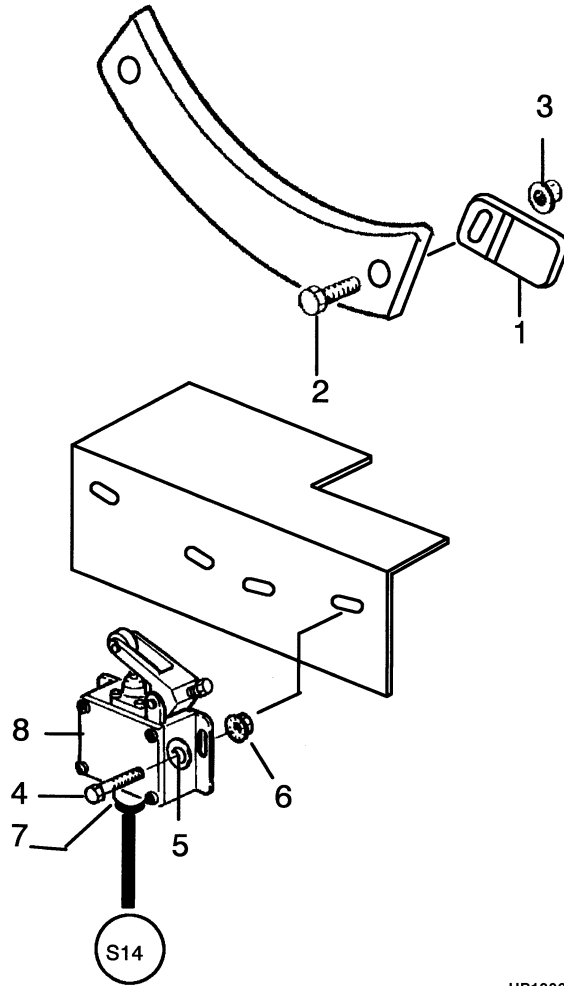
If the above button click is invalid. Please download this document first, and then click the above link to download the complete manual.

Thank you so much for reading

**CAB DOOR
RIGHT HAND**

ITEM	PART NO.	DESCRIPTION	QTY
	1477173	Door Assembly (RH).....	1
1	1469058	Fitting.....	2
2	1469059	Washer.....	2
3	1469084	Hinge.....	2
4	1469061	Cylinder.....	1
5	1469062	Handle.....	1
6	1476395	Glass (RH).....	1
7	1476396	Frame.....	1
8	1476398	Lock.....	1
9	1469066	Catch.....	1
10	1469067	Strap.....	1
11	1469068	Pin.....	1
12	1469069	Ring.....	4
13	1469070	Seal.....	1
14	1469071	Link.....	2
15	1476400	Glass.....	1
16	1469073	Bolt.....	4
17	1469074	Washer.....	4
18	1469075	Bolt.....	2
19	1469076	Bolt.....	2
20	1469077	Bolt.....	1
21	1469079	Washer.....	1

LIMIT SWITCH (Figure 1-7) HR45-25, HR45-31, HR45-40S



HP120603

ITEM	PART NO.	DESCRIPTION	QTY
1	1480287	Cam	1
2	1471897	Bolt	1
3	1470942	Nut	1
4	292501	Capscrew	2
5	1468159	Washer	2
6	1468262	Nut	2
6	1470943	Switch	1
7	1470601	Gland	1

<https://www.ebooklibonline.com>

Hello dear friend!

Thank you very much for reading.

Enter the link into your browser.

The full manual is available for immediate download.

<https://www.ebooklibonline.com>