

PARTS MANUAL

ELECTRIC

**J2.00-3.20XM
(A216)**

CUSTOMER EDITION

HYSTER

SECTIONS

1	FRAME
2	ELECTRICAL SYSTEM
3	DRIVE UNIT
4	STEERING SYSTEM
5	BRAKE/ACCELERATOR SYSTEM
6	HYDRAULIC SYSTEM
7	MAST-TWO STAGE LIMITED FREE-LIFT
8	MAST-THREE STAGE FULL FREE-LIFT
9	MAST-TWO STAGE FULL FREE-LIFT
10	OPTIONS
11	NUMERICAL INDEX

TABLE OF CONTENTS

DESCRIPTION	PAGE
A	
ACCELERATOR	5-14
AUXILIARY TUBES	
FOUR STAGE FULL FREE-LIFT	
FOUR FUNCTION GROUP	10-26
TWO AND THREE STAGE FULL FREE-LIFT	
FOUR FUNCTION GROUP	10-24
B	
BACK-UP ALARM	
⇒S/N A216A-03971W	10-30
S/N A216A-03972W⇒	10-40
BATTERY CONNECTOR	
⇒S/N A216A-03971W	2-76
BRAKE	5-6
BRAKE AND BACK-UP LIGHTS	
⇒S/N A216A-03971W	10-28
S/N A216A-03972W⇒	10-36
BRAKE PEDAL LINKAGE	5-2
C	
CARRIAGE	
FOUR ROLLER	
TWO STAGE FULL FREE-LIFT	9-24
TWO STAGE LIMITED FREE-LIFT	7-16
SIX ROLLER	
S/N B508A-01615T⇒, S/N B508B-19920⇒, S/N B563A-01752T⇒, S/N B563B-10320⇒	8-26
THREE STAGE FULL FREE-LIFT	
⇒S/N B508A-01615T, ⇒S/N B508B-19919, ⇒S/N B563A-01751T, ⇒S/N B563B-10319	8-24
TWO STAGE FULL FREE-LIFT	9-26
TWO STAGE LIMITED FREE-LIFT	7-18
CONTACTOR	
SHEET 1 OF 2	
⇒S/N A216A-03971W	2-64
S/N A216A-03972W⇒	2-68
SHEET 2 OF 2	
⇒S/N A216A-03971W	2-66
S/N A216A-03972W⇒	2-70
CONTACTOR PANEL	
SHEET 1 OF 2	
S/N A216A-03972W⇒	2-50
SHEET 2 OF 2	
S/N A216A-03972W⇒	2-52
THYRISTOR	
CONTACTOR HYDRAULIC	
⇒S/N A216A-03971W	2-44
SILICON CONTROLLED RECTIFIER HYDRAULIC	
⇒S/N A216A-03971W	2-46
TRANSISTOR	
CONTACTOR HYDRAULIC	
⇒S/N A216A-03971W	2-48

<https://www.ebooklibonline.com>

Hello dear friend!

Thank you very much for reading.

Enter the link into your browser.

The full manual is available for immediate download.

<https://www.ebooklibonline.com>

TABLE OF CONTENTS (Continued)

DESCRIPTION	PAGE
C (continued)	
CONTROL PANEL	
CONTACTOR HYDRAULIC	
S/N A216A-03972W⇒	2-36
⇒S/N A216E-03971W	2-60
TRANSISTOR HYDRAULIC	
S/N A216A-003972W⇒	2-42
CONTROL VALVE	
FOUR FUNCTION	6-52
THREE FUNCTION	6-48
CONTROL VALVE ATTACHING PARTS	
D/B 12/2000⇒	6-34
⇒D/B 12/2000	6-32
COUNTERWEIGHT	
D/B 08/1998⇒	1-18
⇒D/B 08/1998	1-16
COVERS	
⇒S/N A216A-03971	1-6
S/N A216A-03972⇒	1-10
D	
DASH DISPLAY	
PREMIUM	
⇒S/N A216A-03971W	2-20
S/N A216A-03972W⇒	2-22
DC CONVERTER	
72/80 VOLT TO 12 VOLT	
S/N A216A-03972W⇒	10-32
DIRECTION CONTACTOR	
⇒S/N A216A-03971W	2-62
DRIVE AXLE	3-2
DRIVE MOTOR MOUNT	6-4
DRIVE TIRE AND WHEEL	10-4
DRIVE, REAR LIGHTS, AND SPOTLIGHT	10-34
E	
ELECTRICAL SYSTEM	
CONTACTOR HYDRAULIC	
S/N A216A-03972W⇒	2-8
COWL	
S/N A216A-03972W⇒	2-16
⇒S/N A216A-03971W	2-12
SCR HYDRAULIC	
⇒S/N A216A-03971W	2-4
F	
FORK	
J2.00-2.50XM	1-36
J3.00-3.20	1-37
FRAME	1-4

TABLE OF CONTENTS (Continued)

DESCRIPTION	PAGE
F (continued)	
FREE-LIFT	
THREE STAGE FULL FREE-LIFT	8-12
TWO STAGE FULL FREE-LIFT	9-8
FREE-LIFT CYLINDER	
THREE STAGE FULL FREE-LIFT	8-20
FULL SUSPENSION SEAT	
FIRST SHEET	
D/B 02/2000⇒	1-30
SECOND SHEET	
D/B 02/2000⇒	1-32
G	
GEAR PUMP	
D/B 10/2000⇒	4-20
OPTIONAL	4-22
⇒S/N A216A02883U	4-16
S/N A216A02884U⇒ D/B 10/2000	4-18
GENERAL TRUCK	1-2
H	
HAND LEVER	
⇒D/B 12/2000	6-36
⇒S/N A216A-0565Z	6-40
S/N A216A-0566Z⇒	6-44
HAND PUMP	
D/B 11/1997⇒	4-10
⇒D/B 11/1997	4-8
HEADER HOSE	
THREE STAGE FULL FREE-LIFT	8-28
TWO STAGE FULL FREE-LIFT	9-28
TWO STAGE LIMITED FREE-LIFT	7-20
HOOD	
D/B 08/1998⇒	1-24
⇒D/B 08/1998	1-20
HYDRAULIC	6-2
HYDRAULIC PUMP	6-16
12 CC	
SINGLE GEAR PUMP	
D/B 04/1998⇒	6-8
19 CC	
DOUBLE GEAR PUMP	
D/B 04/1998⇒	6-12
19 CC SINGLE GEAR	
OPTIONAL	6-18
⇒D/B 04/1998	6-6
LOW NOISE	6-14
OPTIONAL	6-10
HYDRAULIC PUMP MOTOR	6-22
HIGH SPEED	

TABLE OF CONTENTS (Continued)

DESCRIPTION	PAGE
H (continued)	
WITH BWI	6-20
OPTION	
TYPE 1	6-24
TYPE 2	6-26
HYDRAULIC TANK	6-56
I	
INNER MAST	
THREE STAGE FULL FREE-LIFT	8-6
TWO STAGE FULL FREE-LIFT	9-4
TWO STAGE LIMITED FREE-LIFT	7-4
INSTRUMENT CLUSTER	
CONTACTOR HYDRAULIC	
WITH SEAT BELT LIGHT	
⇒S/N A216A-03971W	2-26
ECONOMY CONTACTOR HYDRAULIC	
WITHOUT SEAT BELT LIGHT, WITH HOURMETER AND VOLTMETER GAUGE	
⇒S/N A216A-03971W	2-24
INTEGRAL SIDE-SHIFT	
HYDRAULIC HOSES	
THREE STAGE FULL FREE-LIFT	10-21
TWO STAGE FULL FREE-LIFT	10-22
TWO STAGE LIMITED FREE-LIFT	10-20
INTEGRAL SIDE-SHIFT CARRIAGE	
THREE STAGE FULL FREE-LIFT	10-14
TWO STAGE FULL FREE-LIFT	10-16
TWO STAGE LIMITED FREE-LIFT	10-12
INTEGRAL SIDE-SHIFT CYLINDER	10-18
INTERMEDIATE MAST	
THREE STAGE FULL FREE-LIFT	8-4
L	
LABELS AND PAINT	1-34
LIFT	
TWO STAGE LIMITED FREE-LIFT	7-6
LIFT CYLINDER	
TWO STAGE FULL FREE-LIFT	9-20
TWO STAGE LIMITED FREE-LIFT	
J2.00-2.50XM	7-9
J3.00-3.20XM	
D/B 06/2002⇒	7-13
⇒D/B 06/2002	7-11
LOAD BACKREST	1-38
M	
MAIN CYLINDER	
LEFT HAND	
TWO STAGE FULL FREE-LIFT	
⇒S/N B509A-2090Z, ⇒S/N B564A-2046Z	9-11

TABLE OF CONTENTS (Continued)

DESCRIPTION	PAGE
M (continued)	
S/N B509A-2091Z⇒, S/N B564A-2047Z⇒	9-13
RIGHT HAND	
TWO STAGE FULL FREE-LIFT	
⇒S/N B509A-2090Z, ⇒S/N B564A-2046Z	9-15
S/N B509A-2091Z⇒, S/N B564A-2047Z⇒	9-17
THREE STAGE FULL FREE-LIFT	8-16
MAIN LIFT	
THREE STAGE FULL FREE-LIFT	8-8
TWO STAGE FULL FREE-LIFT	9-6
MAST INSTALLATION	6-28
MASTER CYLINDER	5-4
MONOTROL PEDAL	5-16
N	
NON-SUSPENSION SEAT	1-26
O	
OUTER MAST	
THREE STAGE FULL FREE-LIFT	8-2
TWO STAGE FULL FREE-LIFT	9-2
TWO STAGE LIMITED FREE-LIFT	7-2
OVERHEAD GUARD	
⇒S/N A216A-2428	1-12
S/N A216A-2429⇒	1-14
P	
PARK BRAKE	
LEVER ACTUATED	5-10
PUMP CONTACTOR	2-72
S	
SEMI-SUSPENSION SEAT	
⇒D/B 02/2000	1-28
SHIFT LEVER	2-18
SIDE-SHIFT CARRIAGE	10-6
SIDE-SHIFT CYLINDER	10-10
STEER TIRE AND WHEEL	10-2
STEERING CONTACTOR	
⇒S/N A216A-03871W	2-74
STEERING CYLINDER	4-15
STEERING HYDRAULIC	4-12
STEERING MOTOR	
WITH BWI	
⇒D/B 04/1998	4-32
D/B 04/1998⇒S/N A216A-05241Y	4-34
S/N A216A05242Y⇒S/N A216A06134A	4-36
S/N A216A06134A⇒	4-38
WITHOUT BWI	
⇒D/B 04/1998	4-24

TABLE OF CONTENTS (Continued)

DESCRIPTION	PAGE
S (continued)	
D/B 04/1998⇔S/N A216A-05242Y	4-26
S/N A216A05242Y⇔S/N A216A06236A	4-28
S/N A216A06237A⇒.....	4-30
STEERING POD	
D/B 08/1998⇒	4-4
⇒D/B 08/1998	4-2
STROBE LIGHT	10-38
T	
THYRISTOR CONTROL PANEL	
CONTACTOR HYDRAULIC	
⇒S/N A216A-03971W	2-28
SILICON CONTROLLED RECTIFIER HYDRAULIC	
⇒S/N A216A-03971W	2-32
TILT CYLINDER	6-30
TRACTION MOTOR	
72 VOLT/80 VOLT	
S/N A216A-03972W⇒	3-16
⇒S/N A216A-1729	3-10
S/N A216A-1730⇔S/N A216A-2886	3-12
S/N A216A-2887⇔S/N A216A-03971W.....	3-14
TRACTION PANEL	
⇒S/N A216A-03971W	2-56
TRAIL AXLE	4-40
TRANSISTOR ASSEMBLY	
⇒S/N A216A-03971W	2-54
TRANSISTOR CONTROL PANEL	
CONTACTOR HYDRAULIC	
⇒S/N A216A-03971W	2-34
TRANSISTOR HYDRAULIC	
⇒S/N A216A-03971W	2-38
TRANSMISSION AND DIFFERENTIAL	3-6
W	
WIRE HARNESS	
DASH DISPLAY	
PREMIUM WITH TRANSISTOR CONTROLLER	
⇒D/B 11/1997	2-82
FORWARD/REVERSE LEVER	
COLUMN MOUNT.....	2-92
IGNITION SWITCH	
⇒S/N A216A-03971W	2-84
INSTRUMENT CLUSTER	
ECONOMY DISPLAY	
⇒S/N A216A-03971W.....	2-80
PREMIUM DISPLAY WITH CONTACTOR HYDRAULIC	
⇒S/N A216A-03971W.....	2-81
PREMIUM DISPLAY WITH SCR OR TRANSISTOR HYDRAULICS	
⇒S/N A216A-03971W.....	2-79

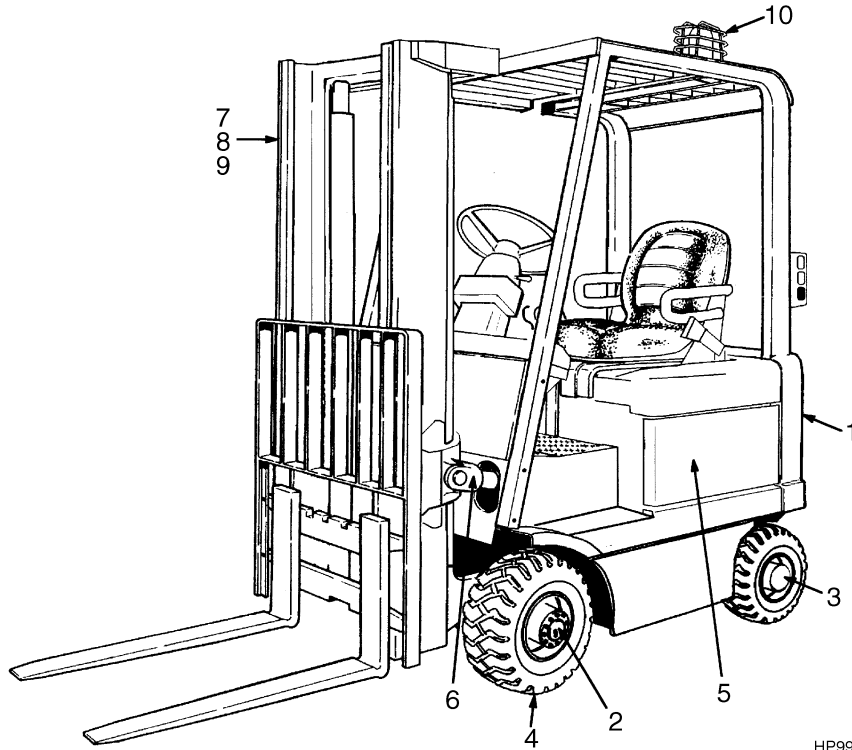
TABLE OF CONTENTS (Continued)

DESCRIPTION	PAGE
W (continued)	
LIGHT	
⇒S/N A216A-03971W	10-41
MAIN	
S/N A216A-03972W⇒	2-90
SCR CONTROL	
⇒S/N A216A-03971W	2-86
TRANSISTOR CONTROL PANEL	
⇒S/N A216A-03971W	2-88
ON-DEMAND STEERING	
⇒S/N A216A-03971W	2-78
WITH TRANSISTOR CONTROLS	
D/B 11/1997⇔S/N A216A-03971W	2-83

SECTION 1
FRAME

DESCRIPTION	PAGE
COUNTERWEIGHT	
D/B 08/1998⇒	1-18
⇒D/B 08/1998	1-16
COVERS	
⇒S/N A216A-03971	1-6
S/N A216A-03972⇒	1-10
FORK	
J2.00-2.50XM.....	1-36
J3.00-3.20.....	1-37
FRAME.....	1-4
FULL SUSPENSION SEAT	
FIRST SHEET	
D/B 02/2000⇒.....	1-30
SECOND SHEET	
D/B 02/2000⇒.....	1-32
GENERAL TRUCK.....	1-2
HOOD	
D/B 08/1998⇒	1-24
⇒D/B 08/1998	1-20
LABELS AND PAINT	1-34
LOAD BACKREST	1-38
NON-SUSPENSION SEAT.....	1-26
OVERHEAD GUARD	
⇒S/N A216A-2428	1-12
S/N A216A-2429⇒	1-14
SEMI-SUSPENSION SEAT	
⇒D/B 02/2000	1-28

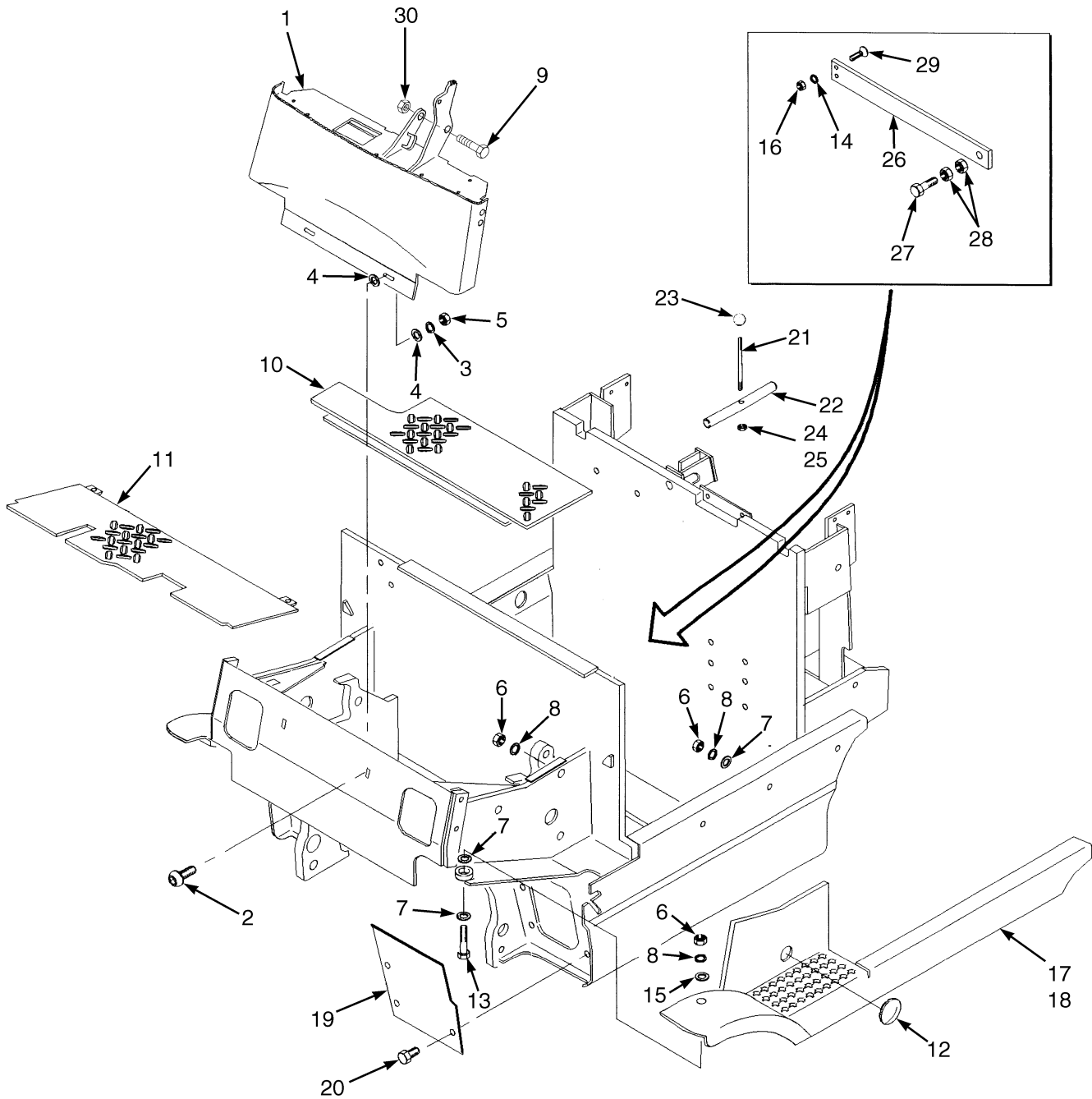
GENERAL TRUCK (Figure 1-1)



HP990130

ITEM	PART NO.	DESCRIPTION	QTY
1	Frame (☞ Figure 1-2)	1
2	Electrical System (☞ Figure 2-1)	1
3	Drive Unit (☞ Figure 3-1)	1
4	Steering System (☞ Figure 4-1)	1
5	Brake/Accelerator System (☞ Figure 5-1)	1
6	Hydraulic System (☞ Figure 6-1)	1
7	Mast-Two Stage Limited Free-Lift (☞ Figure 7-1)	1
8	Mast-Three Stage Full Free-Lift (☞ Figure 8-1)	1
9	Mast-Two Stage Full Free-Lift (☞ Figure 9-1)	1
10	Options (☞ Figure 10-1)	1

FRAME (Figure 1-2)



HP120681

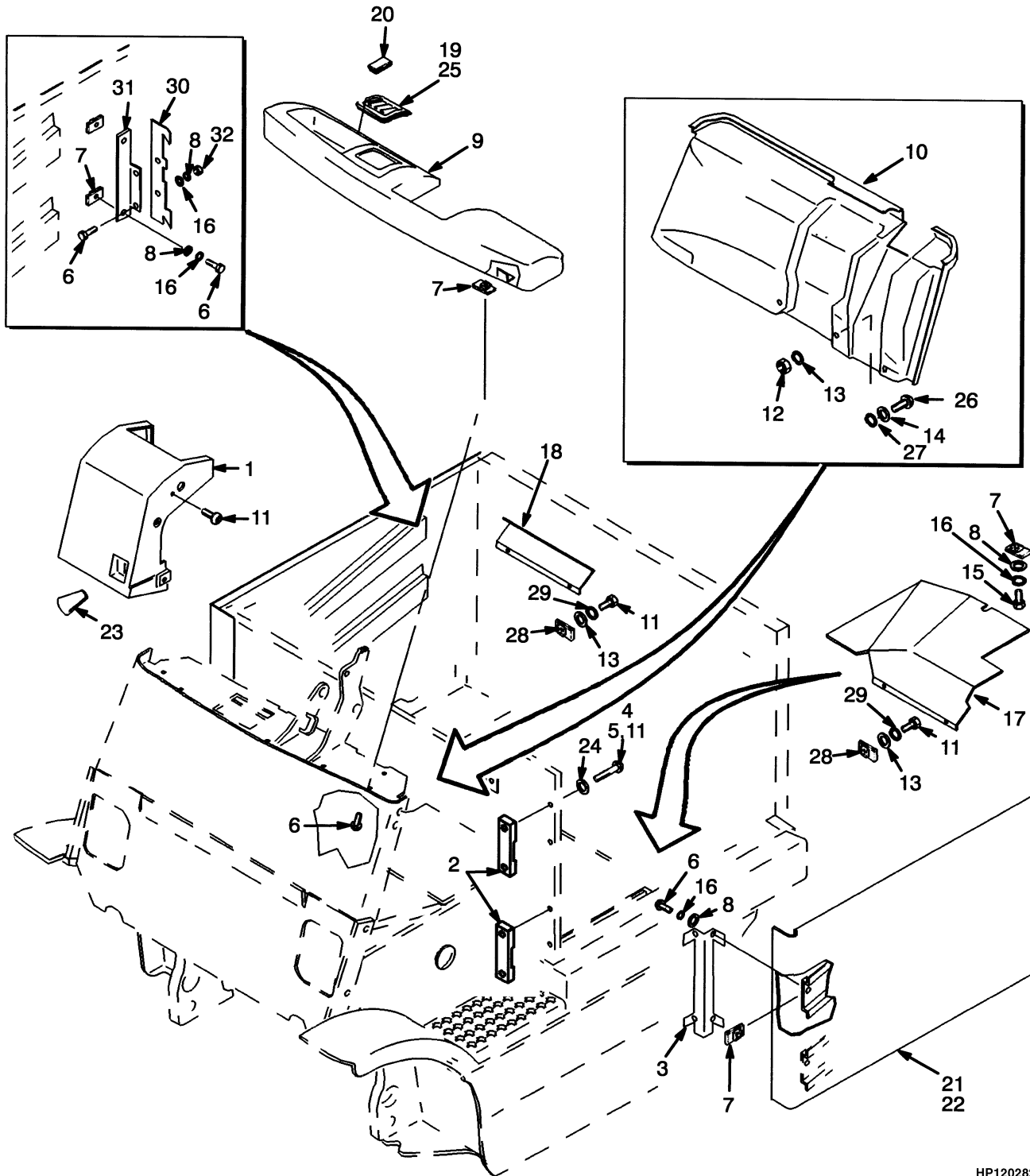
FRAME

ITEM	PART NO.	DESCRIPTION	QTY
1	h 1364710	Cowl.....	1
1	e 1390200	Cowl.....	1
1	d 1461197	Cowl.....	1
2	296167	Capscrew.....	2
3	292681	Lockwasher.....	2
4	320157	Washer.....	4
5	15056	Nut.....	2
6	136692	Nut.....	12
7	320160	Washer.....	14
8	292682	Lockwasher.....	12
9	18494	Capscrew.....	1
10	1385122	Floorplate.....	1
10	878220	Floormat.....	1
11	f 1364622	Floorplate.....	1
11	g 1380562	Floorplate.....	1
15	1350231	Plug.....	2
16	292519	Capscrew.....	2
17	a 1364498	Step (717 mm Battery Compartment) (LH).....	1
17	239503	Nut.....	2
17	292681	Lockwasher.....	2
17	296421	Washer.....	2
17	b 1364499	Step (861 mm Battery Compartment) (LH).....	1
17	ac 1364552	Step (717 mm Battery Compartment) (LH).....	1
17	bc 1364553	Step (861 mm Battery Compartment) (LH).....	1
18	a 1364555	Step (717 mm Battery Compartment) (RH).....	1
18	b 1364556	Step (861 mm Battery Compartment) (RH).....	1
18	ac 1364557	Step (717 mm Battery Compartment) (RH).....	1
18	bc 1364558	Step (861 mm Battery Compartment) (RH).....	1
19	1378906	Plate.....	2
20	316678	Screw.....	6
21	1377420	Rod.....	1
22	1377421	Pin.....	1
23	1380449	Knob.....	1
24	296128	Nut.....	1
25	264134	Sealant.....	AR
26	1379304	Plate.....	1
27	1379324	Capscrew.....	1
28	296136	Nut.....	2
29	296227	Capscrew.....	2
30	169874	Nut.....	1

FOOTNOTES:

- a** 1502 mm (Wheelbase)
- b** 1646 mm (Wheelbase)
- c** Wide Track
- d** S/N A216A-03972W ⇒
- e** D/B 12/1996⇔S/N A216A-03972W
- f** ⇒ S/N A216A-2213
- g** S/N A216A-2214 ⇒
- h** ⇒ D/B 12/1996

COVERS (Figure 1-3) (⇒S/N A216A-03971)



HP120282

COVERS
(⇒S/N A216A-03971)

ITEM	PART NO.	DESCRIPTION	QTY
1	c 1364648	Cover	1
1	d 1385798	Cover	1
2	g 1340218	Catch	4
2	h 878542	Plate	4
3	h 136749	Capscrew.....	4
3	g 1379491	Plate	4
4	g 251099	Adhesive.....	AR
4	h 313828	Nut	8
5	g 296165	Capscrew.....	8
6	h 296159	Capscrew.....	12
6	g 296159	Capscrew.....	20
7	h 325182	Nut	13
7	g 325182	Nut	21
8	h 292680	Lockwasher.....	1
8	g 292680	Lockwasher.....	13
9	i 1364719	Dash	1
9	j 1390203	Dash	1
10	e 1364725	Liner.....	1
10	f 1390321	Liner.....	1
11	h 296166	Capscrew.....	14
11	g 369242	Capscrew.....	10
12	239503	Nut	2
13	292681	Lockwasher.....	6
14	e 320157	Washer	2
14	f 320157	Washer	4
15	292501	Capscrew.....	1
16	h 197068	Washer	1
16	g 197068	Washer	9
17	1383170	Cover (LH)	1
18	1383173	Cover (RH).....	1
19	1382311	Mounting Panel.....	2
20	1382313	Cover	3
21	ag 1364635	Cover (LH)	1
21	bg 1364636	Cover (LH)	1
21	ah 878545	Cover (LH)	1
21	bh 878547	Cover (LH)	1
22	ag 1364637	Cover (RH).....	1
22	bg 1364638	Cover (RH).....	1
22	ah 878546	Cover (RH).....	1
22	bh 878548	Cover (RH).....	1
23	1377483	Knob (RH).....	1
24	296419	Washer	8
25	1382312	Mounting Panel.....	1
26	296167	Capscrew.....	2
27	e 1300117	Washer	2
28	1350282	Retainer	4
29	320158	Washer	4
30	g 1383758	Plate	2
31	g 1383759	Bracket (LH).....	1

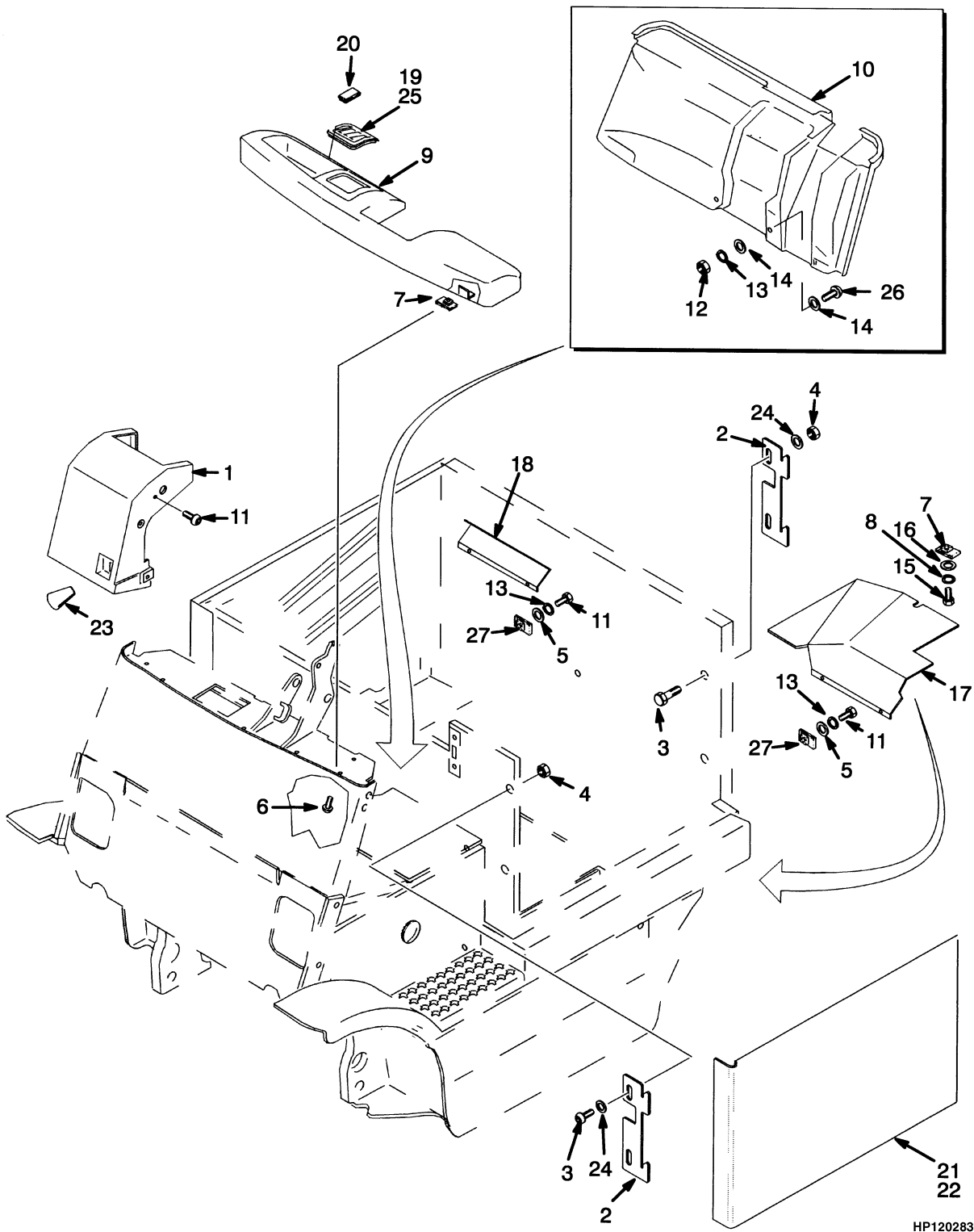
COVERS (⇒S/N A216A-03971)

ITEM	PART NO.	DESCRIPTION	QTY
31	g 1383760	Bracket (RH)	1
32	g 136687	Nut	4

FOOTNOTES:

- a** 717 mm Battery Compartment
- b** 861 mm Battery Compartment
- c** ⇒ S/N A216A-2392
- d** S/N A216A-2393 ⇒
- e** ⇒ S/N A216A-2428
- f** S/N A216A-2429 ⇒
- g** ⇒ D/B 06/1998
- h** D/B 06/1998 ⇒
- i** ⇒ D/B 12/1996
- j** D/B 12/1996 ⇒

COVERS (Figure 1-4) (S/N A216A-03972⇒)



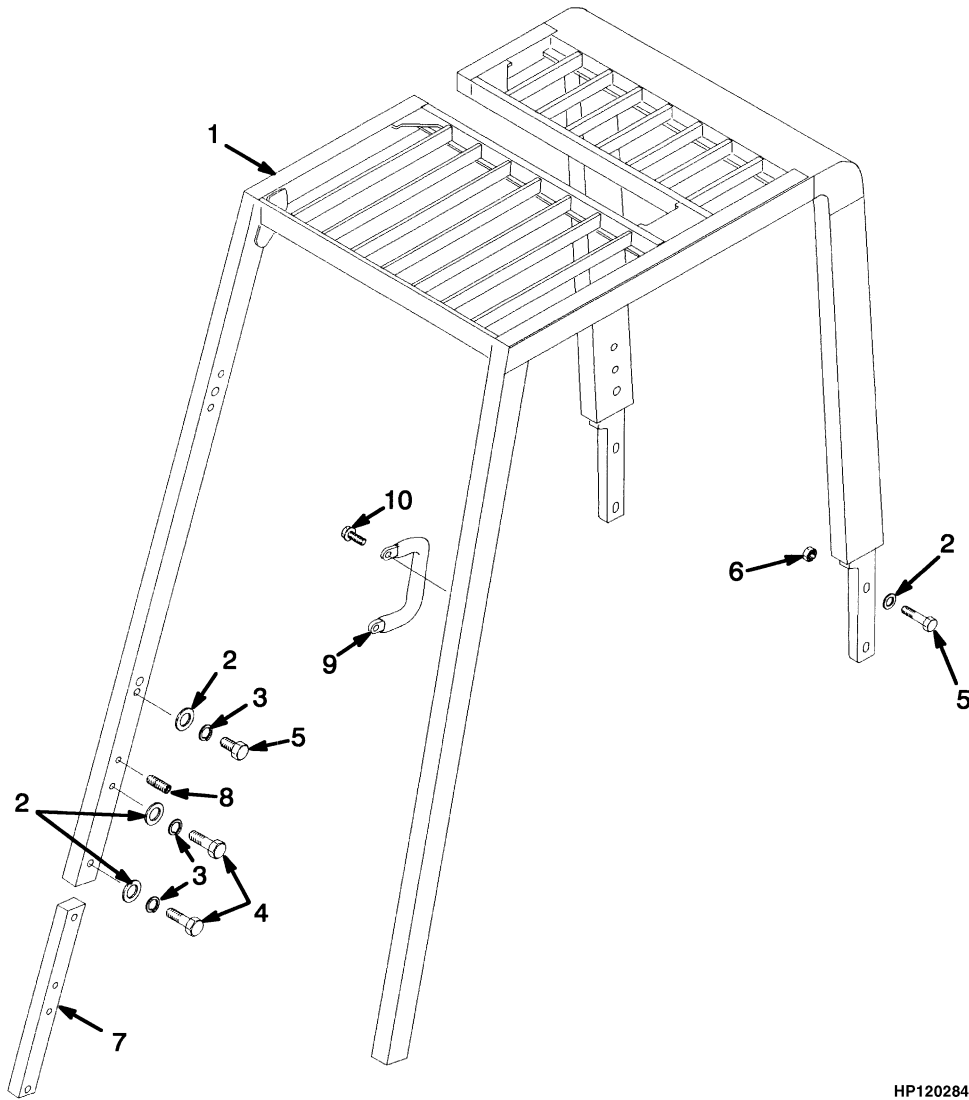
COVERS
(S/N A216A-03972⇒)

ITEM	PART NO.	DESCRIPTION	QTY
1	d 1385798	Cover	1
1	e 1478886	Cover	1
1	cf 1482306	Fastener (Panel)	6
1	cg 369242	Capscrew	4
2	878542	Plate	4
3	136749	Capscrew	4
4	313828	Nut	8
5	320158	Washer	4
6	296159	Capscrew	12
7	325182	Nut	13
8	292680	Lockwasher	1
9	1461070	Dash	1
10	1461198	Liner	1
11	296166	Capscrew	14
12	239503	Nut	2
13	292681	Lockwasher	6
14	320157	Washer	8
15	292501	Capscrew	1
16	197068	Washer	1
17	1383170	Cover (LH)	1
18	1383173	Cover (RH)	1
19	1382311	Mounting Panel	2
20	1382313	Cover	3
21	a 878545	Cover (LH)	1
21	b 878547	Cover (LH)	1
22	a 878546	Cover (RH)	1
22	b 878548	Cover (RH)	1
23	1377483	Knob (RH)	1
24	296419	Washer	8
25	1382312	Mounting Panel	1
26	296167	Capscrew	2
27	1350282	Retainer	4

FOOTNOTES:

- a** 717 mm Battery Compartment
- b** 861 mm Battery Compartment
- c** Not Illustrated
- d** ⇒ D/B 11/2000
- e** D/B 11/2000 ⇒
- f** D/B 11/2000⇔D/B 11/2002
- g** D/B 11/2002 ⇒

OVERHEAD GUARD (Figure 1-5) (⇒S/N A216A-2428)

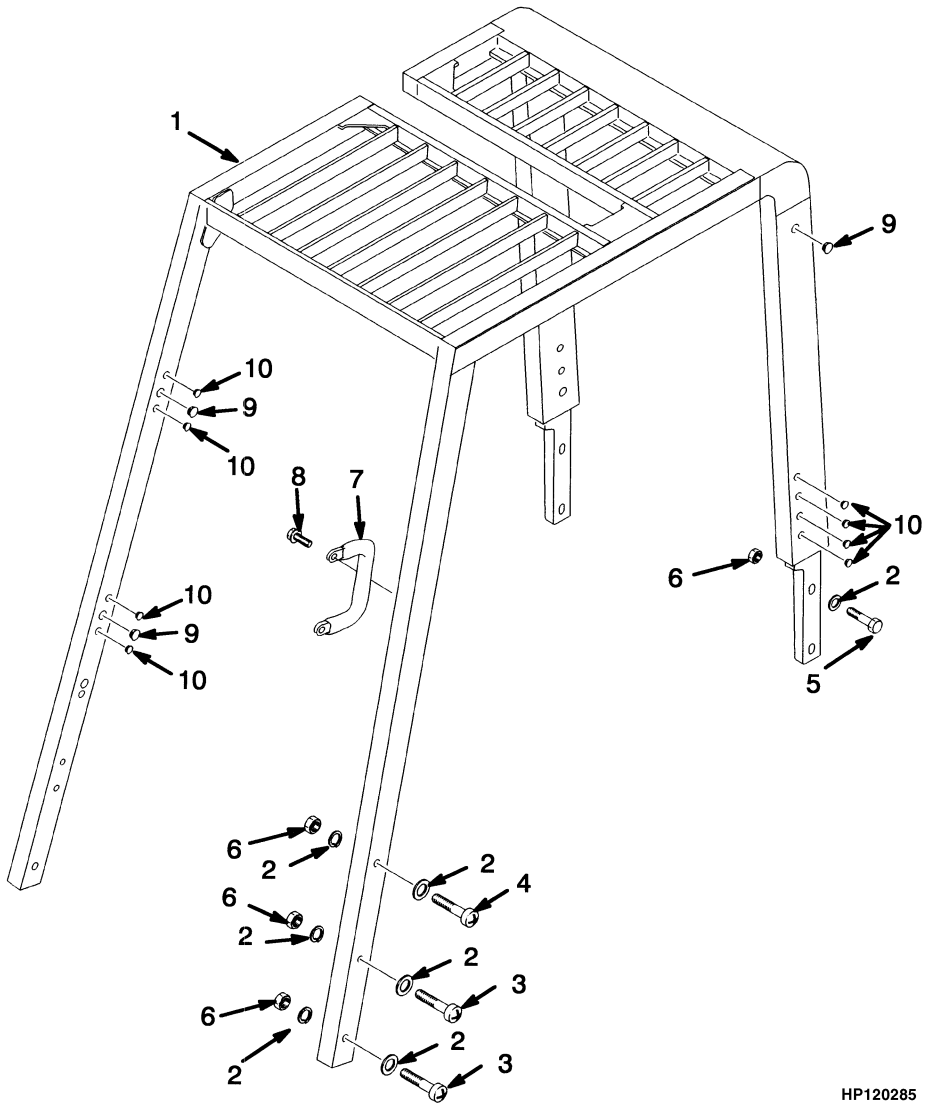


HP120284

OVERHEAD GUARD
(⇒S/N A216A-2428)**KEY:****A: 717 mm Battery Compartment****B: 861 mm Battery Compartment**

ITEM	PART NO.	DESCRIPTION	QTY	
			A	B
1	1364404	Overhead Guard	1	..
1	1364405	Overhead Guard	1
2	320161	Washer	10	10
3	292683	Lockwasher.....	6	6
4	293649	Capscrew.....	4	4
5	293647	Capscrew.....	6	6
6	300937	Locknut	4	4
7	1379469	Plate	2	2
8	302220	Screw.....	2	2
9	1343647	Handle	1	1
10	329067	Screw.....	2	2

OVERHEAD GUARD (Figure 1-6) (S/N A216A-2429⇒)



HP120285

OVERHEAD GUARD
(S/N A216A-2429⇒)**KEY:****A: 717 mm Battery Compartment****B: 861 mm Battery Compartment**

ITEM	PART NO.	DESCRIPTION	QTY	
			A	B
1	1386726	Overhead Guard	1	..
1	1386727	Overhead Guard	1
2	320161	Washer	16	16
3	1343990	Capscrew	2	2
4	1354923	Capscrew	4	4
5	293647	Capscrew	4	4
6	1390182	Nut	10	10
7	1343647	Handle	1	1
8	329067	Screw	2	2
9	1363917	Plug	5	5
10	1363916	Plug	14	14

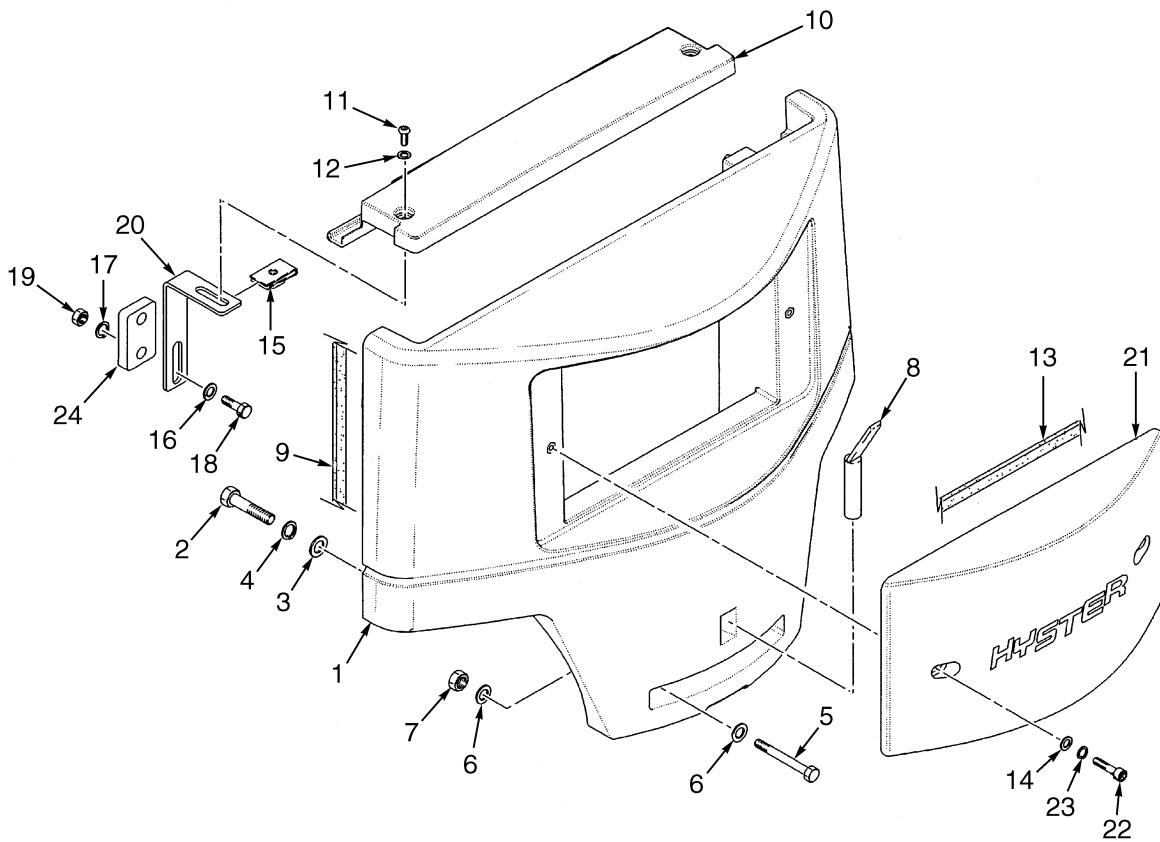
COUNTERWEIGHT
(⇒D/B 08/1998)

ITEM	PART NO.	DESCRIPTION	QTY
1	ab 1364151	Counterweight	1
1	c 1364152	Counterweight	1
2	292584	Capscrew	2
3	320169	Washer	2
4	292687	Lockwasher.....	2
5	292531	Capscrew.....	2
6	320162	Washer	4
7	300937	Locknut	2
8	326347	Tow Pin	1
9	283259	Foam Tape.....	AR
10	1364718	Cover	1
11	1364902	Capscrew.....	2
12	320160	Washer	3
13	292682	Lockwasher.....	3
14	1379470	Capscrew.....	1
15	296128	Nut	2

FOOTNOTES:

- a** J2.00XM-J2.50XM (717 mm Battery Compartment)
- b** J2.50XM-J3.00XM (861 mm Battery Compartment)
- c** J3.20XM (861 mm Battery Compartment)

COUNTERWEIGHT (Figure 1-8) (D/B 08/1998⇒)



HP120665



Suggest:

For more complete manuals. Please go to the home page.

<https://www.ebooklibonline.com>

If the above button click is invalid. Please download this document first, and then click the above link to download the complete manual.

Thank you so much for reading

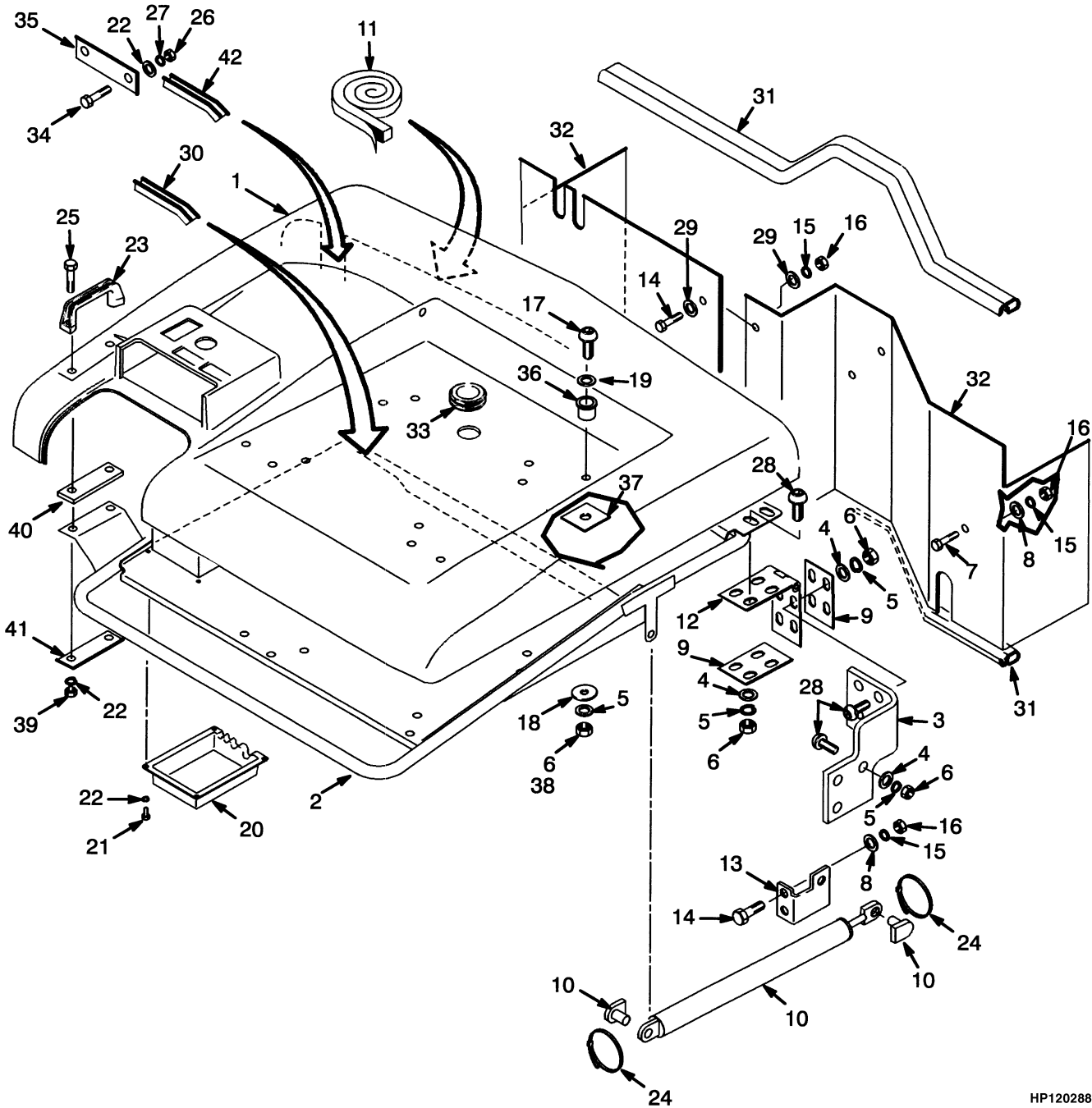
COUNTERWEIGHT
(D/B 08/1998⇒)

ITEM	PART NO.	DESCRIPTION	QTY
1	ab 1460391	Counterweight	1
1	c 1460392	Counterweight	1
2	292584	Capscrew	2
3	320169	Washer	2
4	292687	Lockwasher.....	2
5	292531	Capscrew.....	2
6	320162	Washer	4
7	300937	Locknut	2
8	326347	Tow Pin	1
9	261165	Tape	AR
10	1460535	Cover	1
11	18738	Capscrew.....	2
12	320160	Washer	2
13	326003	Tape	AR
14	15134	Washer	2
15	269200	Nut	2
16	320157	Washer	4
17	292681	Lockwasher.....	4
18	293617	Capscrew.....	4
19	239503	Nut	4
20	1461187	Bracket.....	2
21	1340460	Cover	1
22	46698	Capscrew.....	2
23	15156	Lockwasher.....	2
24	1466505	Spacer (LH)	1

FOOTNOTES:

- a** J2.00XM-J2.50XM (717 mm Battery Compartment)
- b** J2.50XM-J3.00XM (861 mm Battery Compartment)
- c** J3.20XM (861 mm Battery Compartment)

HOOD (Figure 1-9) (⇒D/B 08/1998)



HP120288

<https://www.ebooklibonline.com>

Hello dear friend!

Thank you very much for reading.

Enter the link into your browser.

The full manual is available for immediate download.

<https://www.ebooklibonline.com>