

Document Title: Power transmission, description	Function Group: 400	Information Type: Service Information	Date: 2015/4/21
Profile: EXC, EC360C HR [GB]			

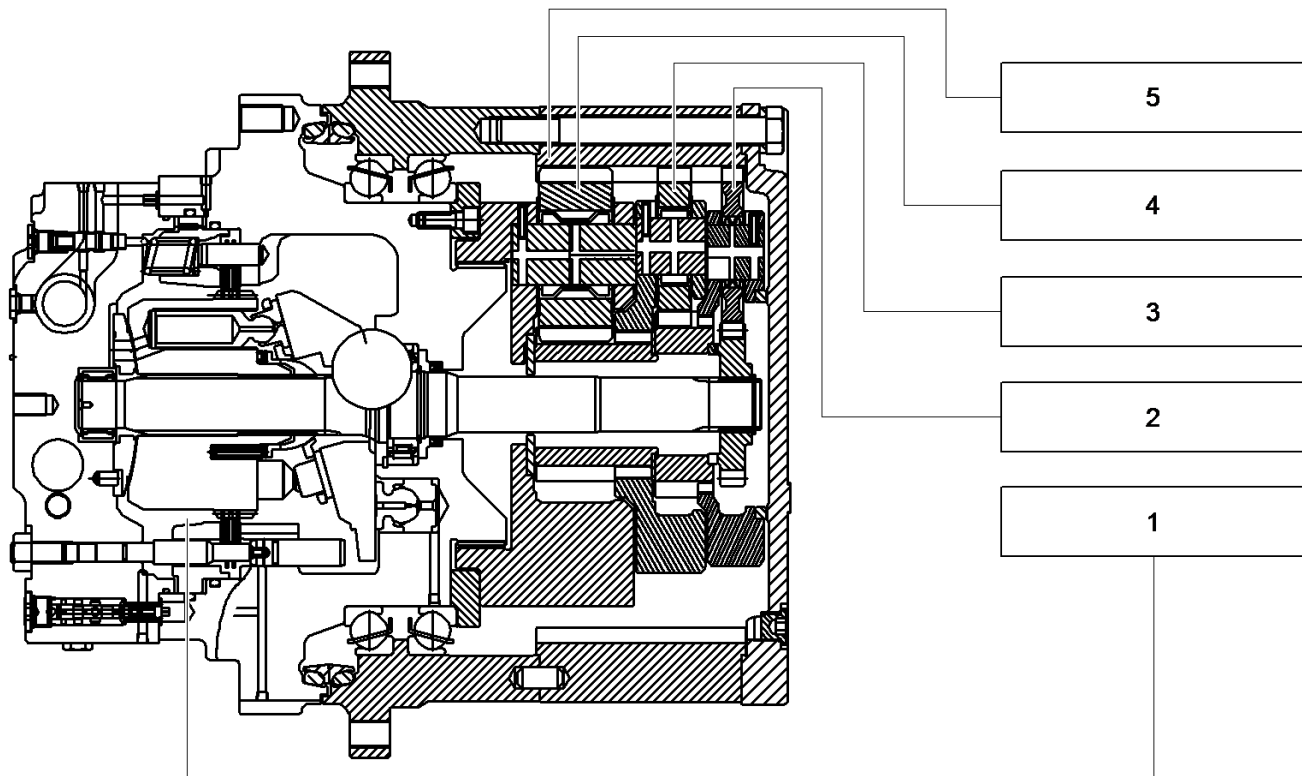
Power transmission, description

The excavator's power transmission is a generic name of all components that transmit motive force to perform the various functions of the excavator. The mechanical power from the engine transmitted via the pump coupling is converted to hydraulic power by the main pumps. Hydraulic power from the main pump goes to the travel motors, slew motor and hydraulic cylinders via the main control valve, where it is converted back to mechanical power, that actuates the travel action, slew action and attachments. The reduction gears of the planetary mechanisms convert the high speed rotation of the hydraulic motor into low speed, high torque rotating force, at the track unit / sprocket for travel, and at the slew unit / ring gear for slewing. The center passage 360° rotating unit allows high pressure hydraulic flow from the main control valve to the track motors. The unit rotates with the superstructure without twisting hoses therefore oil flow is not obstructed by slewing.

Document Title: Track gearbox, description	Function Group:	Information Type: Service Information	Date: 2015/4/21
Profile: EXC, EC360C HR [GB]			

Track gearbox, description

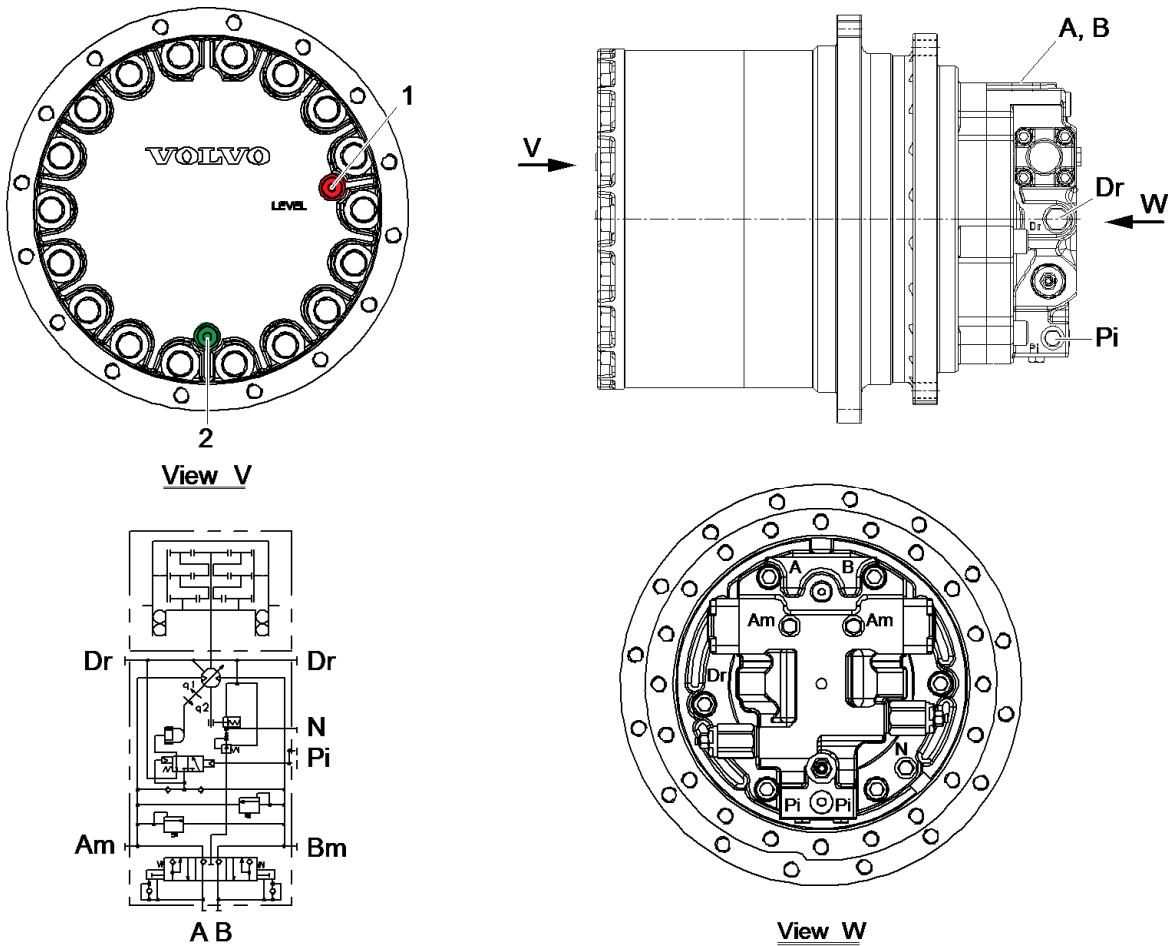
Track gearbox consists of three stage planetary mechanism that converts the high speed rotation of the hydraulic motor, into low speed, high torque rotating force at the sprocket hub.



V106585E

Figure 1
2 stage planetary gearbox

1. Track motor
2. No.1 planetary gear assembly
3. No.2 planetary gear assembly
4. No.3 planetary gear assembly
5. Ring gear



V1065874

Figure 2
Port connections

1. Oil filling port (PF 1/2)
2. Oil drain port (PF 1/2)

Port connections

Port symbol	Port size	Port
A, B	ø25	Oil supply (Return)
Am, Bm	9/16–18 UNF-2B	Pressure measurement port
Pi	9/16–18 UNF-2B	Displacement change pilot port
N	9/16–18 UNF-2B	Port for manual release of brake
Dr	7/8-14 UNF-2B	Motor drain

Rotational direction

View from Vaxis	Inlet	Outlet
Clockwise	B	A
Counterclockwise	A	B

<https://www.ebooklibonline.com>

Hello dear friend!

Thank you very much for reading.

Enter the link into your browser.

The full manual is available for immediate download.

<https://www.ebooklibonline.com>

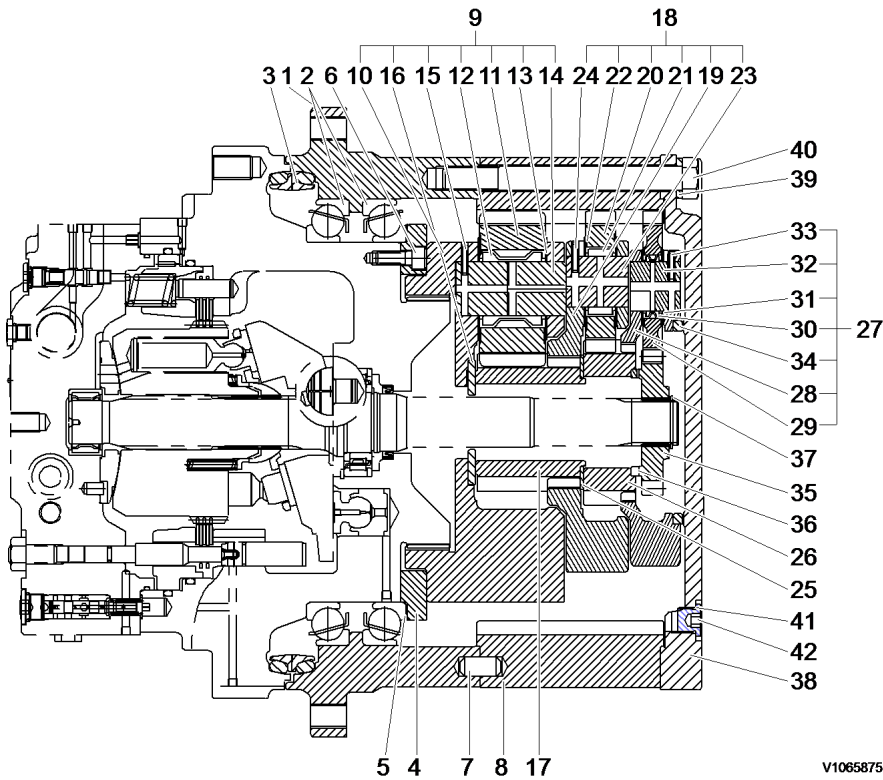
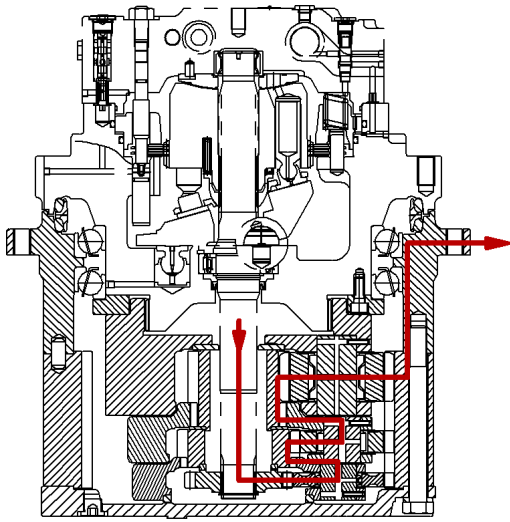


Figure 3
Track gearbox, sectional view

1	Housing	15	Spring pin	29	Planetary gear_no.1
2	Bearing_main	16	Ring_thrust	30	Needle Bearing
3	Seal_floating	17	Gear_sun no.3	31	Washer_thrust
4	Retainer	18	Carrier_assy no.2	32	Pin_No.1
5	Shim	19	Carrier_no.2	33	Spring pin
6	Screw_M12X30	20	Planetary gear_no.2	34	Ring_thrust
7	Pin_parallel	21	Needle Bearing	35	Gear_sun no.1
8	Gear_ring	22	Washer_thrust	36	Ring_thrust
9	Carrier_assy no.3	23	Pin_No.2	37	Ring_retaining C type
10	Carrier_no.3	24	Spring pin	38	Cover
11	Planetary gear_no.3	25	Thrust plate	39	Washer_spring
12	Needle Bearing	26	Gear_sun no.2	40	Bolt_hex HD
13	Washer_thrust	27	Carrier_assy no.1	41	O-ring
14	Pin_No.3	28	Carrier_no.1	42	Plug_hydraulic

The power transmitted from the hydraulic motor output shaft is transmitted to the gear_sun no.1 → carrier_no.1 → gear_sun no.2 → planetary gear_no.2 → carrier_no. 2 → gear_sun no.3 → planetary gear_no.3 → gear_ring.



V1065978

Figure 4
Track gearbox, torque flow

At this time, the reduction ratio of reduction gear is as follows:

(1) Reduction ratio

$$i = [(Zs1 + Zr) \cdot (Zs2 + Zr) \cdot (Zs3 + Zr) / (Zs1 \cdot Zs2 \cdot Zs3)] - 1$$

- Zs1 = No. of 1st sun gear tooth
- Zs2 = No. of 2nd sun gear tooth
- Zs3 = No. of 3rd sun gear tooth
- Zr = No. of ring gear tooth

Document Title: Track gearbox, precautions for operation	Function Group:	Information Type: Service Information	Date: 2015/4/21
Profile: EXC, EC360C HR [GB]			

Track gearbox, precautions for operation

Installation

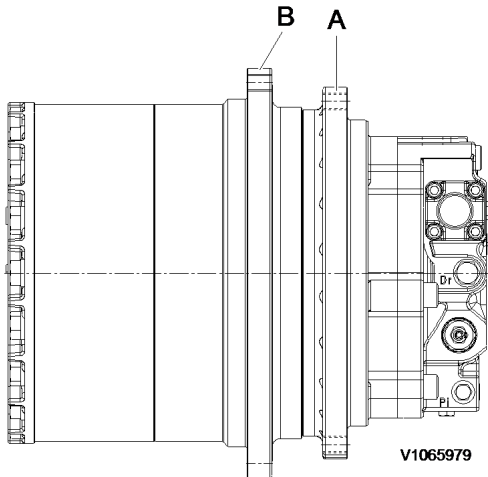


Figure 1
Mounting location

- A. Main body mounted area
- B. Sprocket mounted area

- Check that the mating mount surfaces are clean.
- Check that the motor is positioned correctly in the frame.
- If the gearbox to frame fit is tight, draw the assembly into the frame evenly with the mounting screws.
- Tighten the screws in a crisscross pattern in several stages to the specified torque.
- Apply these same precautions when mounting the sprocket.

Tightening torque

Tightening torque

	Quantity	Thread size	Tightening torque
Reduction screw (A)	26	M20	52.2 kgf m (512 Nm) (377 lbf ft)
Sprocket screw (B)	24	M20 (P2.5)	46.5 ± 2.5 kgf m (456 ± 25 Nm) (336 ± 18 lbf ft)

NOTE!

The screws must be 10.9 KS strength classification or above.

Lubricating oil

NOTICE

Prior to operating the travel function, fill the gearbox with the specified oil to the correct level.

NOTE!

Gear oil specification

Use a gear oil equivalent to one of the following two criteria. API classification GL-4 or GL-5, SAE 90.

Gear oil replacement period

- First (initial) oil replacement: 500 operating hours
- Subsequent oil replacement: 2000 operating hours
- After maintenance (initial): 500 operating hours

NOTE!

Regardless of the operating hours the gear oil must be replaced at least once per year.

NOTE!

Do not mix different types, classifications or brands of oil.

NOTE!

Drain the gear oil while it is still warm to flush out any contaminants.

Gear oil replacement procedure

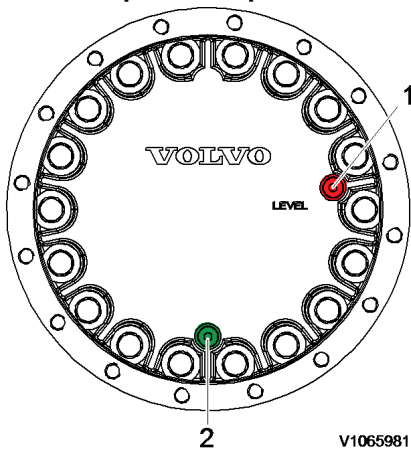


Figure 2

Oil replacement location

1. Oil filling port
 2. Oil drain port
- Rotate the gearbox until the drain plug is the lowest position on the ground.
 - Remove the 2 plugs and drain the oil into a suitable container.
 - Ensure that the drain plug O-ring is not damaged, then install the plug with specified tightening torque.
 - Refill the 6.8 liter gear oil through the fill port.
 - Ensure that the O-ring on each plug is not damaged, then install the plugs with specified tightening torque.

NOTE!

Oil capacity: 6.8 liters (1.8 US gal)

Operating checks

- Check the oil level prior to operating the travel function.
- Check for oil leakage on the gearbox assembly.
- Check for loose mounting screws.
- Check for abnormal sound or vibration while rotating.
- Check for any abnormal temperature increase after operating for a short time.

WARNING

The temperature of the case is high just after running. Use a thermometer to measure. Do not touch directly by hand to prevent a burn injury.

NOTE!

The temperature of the case must be lower than 90 °C, during continuous operation.

Document Title: Track gearbox, maintenance standard	Function Group:	Information Type: Service Information	Date: 2015/4/21
Profile: EXC, EC360C HR [GB]			

Track gearbox, maintenance standard

The parts are precision finished and must be handled carefully.

Keep the parts of carrier ass'y together, do not mix the bearings, gears, pins and thrust washers.

Seals

Replace the seals and O-rings, although they appear not damaged.

Part replacement criteria

Replace all parts that appear damaged or are not within the allowable value.

Replace some parts in sets, i.e. gears, bearings, pins and thrust washers.

Part replacement criteria

Item No.	Part	Condition	Allowable value
8 11 17 20 26 29 35	Ring gear No.3 planetary gear No.3 sun gear No.2 planetary gear No.2 sun gear No.1 planetary gear No.1 sun gear	The tooth surface is pitted or non uniformly worn. The gear is cracked.	Area rate: within 5%
12 21 30	No.1 Needle bearing No.2 Needle bearing No.3 Needle bearing Angular bearing	Pitting/flaking of the balls, rollers or races. Hard to rotate by hand.	
3	Floating Seal	Rust or damage on sliding face. O-ring distorted or damaged.	
32 23 14	No.3 pin No.2 pin No.1 pin	The pin is cracked, galled or pitted.	
22 25	Thrust washer Thrust plate	Excessively worn on the face area.	

Remove air in the track motor before operating.

1. Check that the gearbox axis is horizontal. Rotate the gearbox housing until the drain plug is on the bottom of the vertical axis of the end cover.
The gearbox is supplied with oil plugs (draining, filling and level) equipped with an hole that allows the air to bleed.

NOTE!

Remove the oil plugs with care. When the gearbox is warm, the air inside can be pressurized and this can cause their strongly expulsion towards the worker.

2. Loose with caution the plugs (2~3 rounds) counterclockwise.
3. Clean the plug to be sure that the air bleed hole is not obstructed.
4. Wait a few seconds to allow the pressurized air to bleed from the gearbox.
5. Remove the plugs and let the oil flow in a large enough container; in order to facilitate the draining must be oil still warm.

6. Wait a few minutes until all the oil is drained and then proceed to screw on the plugs.
7. Proceed with the oil fill-up following the procedures given.

NOTE!

Never mix mineral oils with synthetic oils and vice versa.

Do not dispose of the oil in the natural environment but be careful to eliminate it in compliance with the relative rules and regulations that govern locally.

Tightening torque plug. See track gearbox, description.

General tools

General tools

No.	Description	Size	Quantity
1	Socket wrench	30 mm (1.18 in)	1
2	L wrench & Hexagon wrench socket	10 mm (0.39 in)	1
3	Torque wrench	Torque wrench with a tightening torque range containing 60N m, 125N m and 530N m	1
4	Eye bolt	M10 (For carrier) M12 (For ring gear) M20 (For housing) PF1/2 (For cover)	2 2 2 2
5	Plastic hammer	Approximately L = 300 ~ 500 mm (11.8 ~ 19.7 in)	1
6	Depth gauge (Vernier calliper)	Range approximately 300 mm (11.8 in) Minimum scale 0.01 mm (0.00039 in)	1

Special tool

Special tool

No.	Description	Part number	Quantity
1	Shim thickness measuring gage	14599546	1
2	Floating seal assembly jig	14599545	1

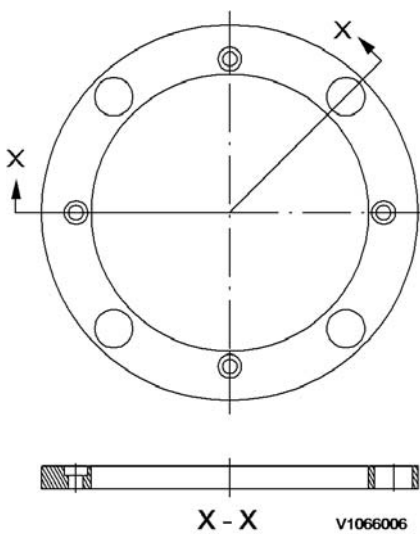


Figure 2
Shim thickness measuring tool

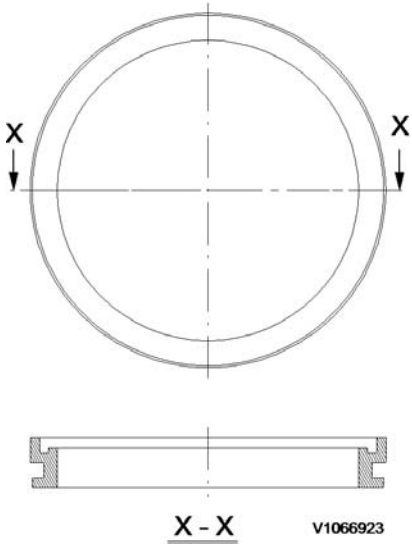


Figure 3
Floating seal assembly jig

Document Title: Track gearbox, disassembly	Function Group:	Information Type: Service Information	Date: 2015/4/21
Profile: EXC, EC360C HR [GB]			

Track gearbox, disassembly

Precautions

- Thoroughly clean the gearbox assembly prior to disassembly.
- Select a clean work area.
- Match mark attached components to indicate proper positioning during reassembly.
- Take care not to mix parts of sub assemblies i.e. planetary gears, bearings and thrust washers.
- Thoroughly clean all parts and the inside of the casings.
- Inspect and analyze all failures.
 - Determine the root cause!

Disassembly

1. Place the oil fill port and the oil drain port on the vertical axis. Remove plugs (1) and drain the gear oil.

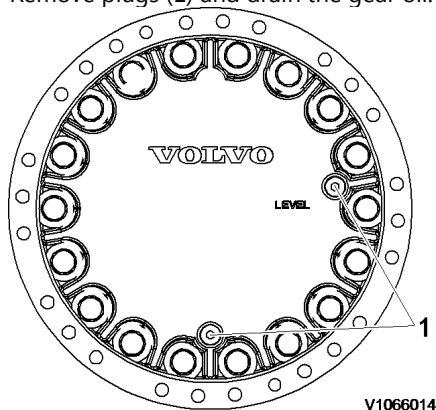


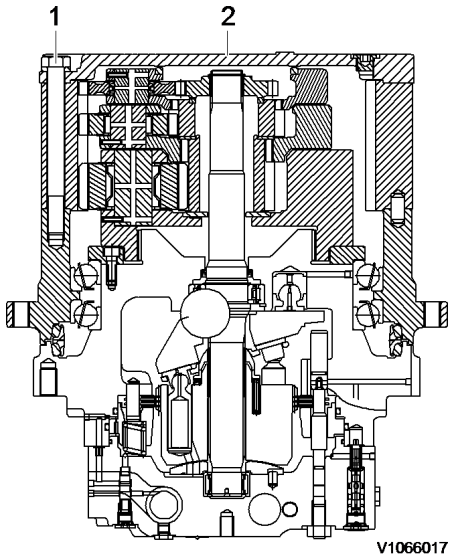
Figure 1
Removal, plugs

- Tools: L wrench 10 mm

NOTE!

Drain oil into a clean container and check thoroughly for contamination.

2. Remove bolts (1) and remove cover (2).



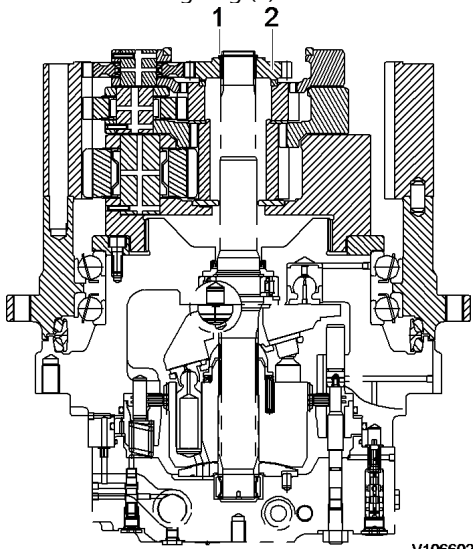
V1066017

Figure 2
Removal, bolts and cover

- Tools: Socket 30 mm

NOTE!
 Carefully lift the cover off.

3. Remove retaining ring (1) and then remove sun gear_No.1 (2).



V1066027

Figure 3
Removal, sun gear No.1

4. Remove carrier assembly No.1 (1).

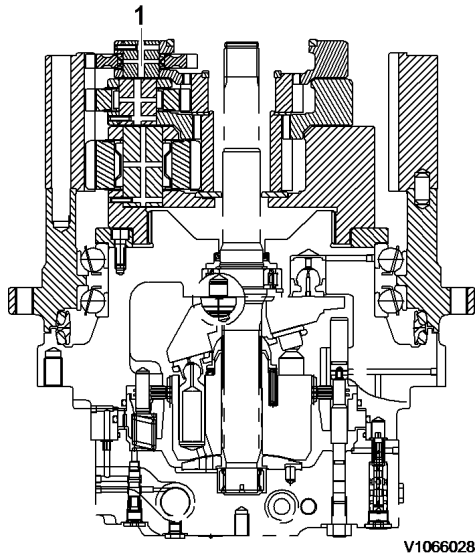


Figure 4
Removal, carrier assembly No.1

5. Disassembling carrier assembly No.1

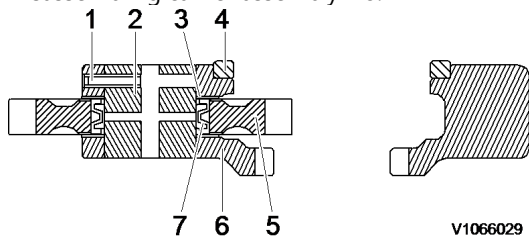
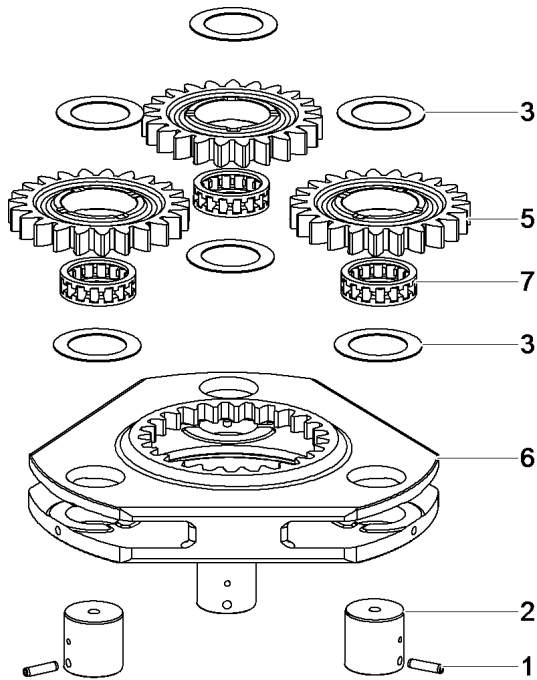


Figure 5
Disassembly, carrier assembly No.1

- Tap spring pin (1) into pin No.1 (2).
 - Remove washer_thrust (3), planetary gear No.1 (5) and bearing_needle (7) from carrier_No.1 (5).
- Tools: Eye bolt (M10), Hammer



The parts are heavy. Take appropriate safety precautions.



V1066036

Figure 6
Exploded view, planetary gear No.1 assembly

NOTE!

Match mark gears (5), pins (2) and carrier (6).

NOTE!

Do not mix the gears, bearings, washer_thrusts, and pin.

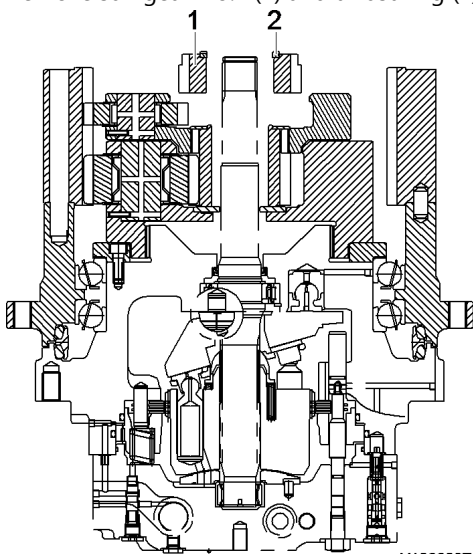
NOTE!

Do not reuse pin_springs (1).

NOTE!

If there are any flakes at the surface of pin No.1, replace pin No.1, carrier No.1, planetary gear No.1 and bearing_needle simultaneously.

6. Remove sun gear No.2 (1) and thrust ring (2).



V1066037

Figure 7
Removal, sun gear No.2

7. Remove carrier assembly No.2 (1) and thrust plate (2).

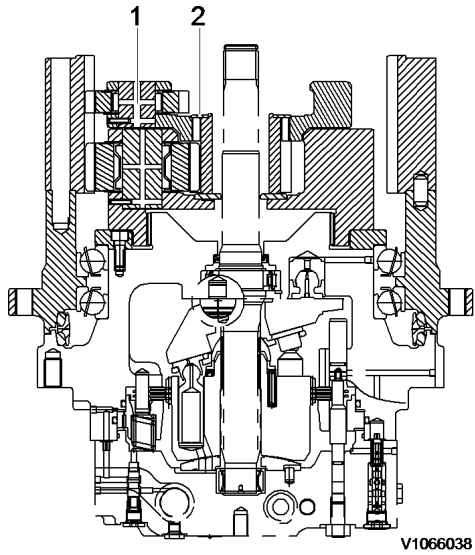


Figure 8

Removal, carrier assembly No.2

8. Disassembling carrier assembly No.2

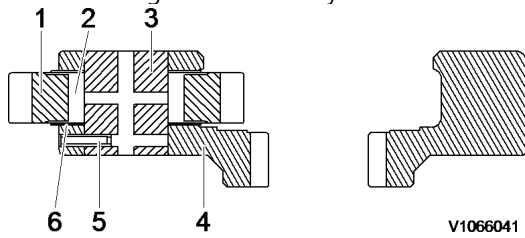


Figure 9

Removal, carrier assembly No.2

- Tap spring pin (5) into pin No.2 (3).
 - Remove washer_thrust (6), planetary gear No.2 (1) and bearing_needle (2) from carrier_No.2 (4).
- Tools: Eye bolt (M10), Hammer



The parts are heavy. Take appropriate safety precautions.



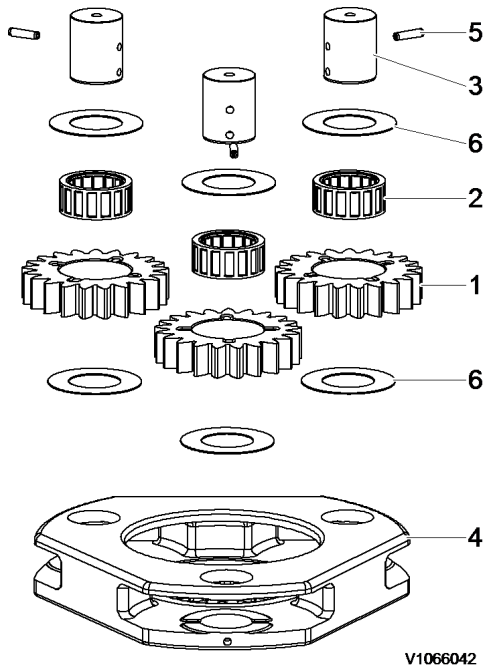
Suggest:

For more complete manuals. Please go to the home page.

<https://www.ebooklibonline.com>

If the above button click is invalid. Please download this document first, and then click the above link to download the complete manual.

Thank you so much for reading



V1066042

Figure 10
Exploded view, planetary gear No.2 assembly

NOTE!

Match mark gears (1), pins (3) and carrier (4).

NOTE!

Do not mix the gears, bearings, washer_thrusts, and pin.

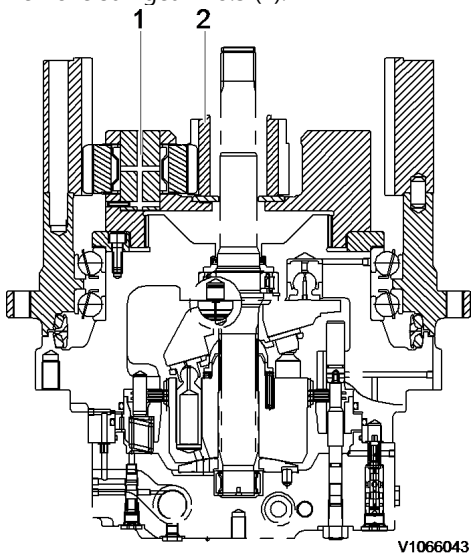
NOTE!

Do not reuse pin_springs (5).

NOTE!

If there are any flakes at the surface of pin No.2, replace pin No.2, carrier No.2, planetary gear No.2 and bearing_needle simultaneously.

9. Remove sun gear No.3 (2).



V1066043

Figure 11
Removal, sun gear and carrier assembly No.3

10. Remove carrier assembly No.3 (1) from motor.
11. Disassembling carrier assembly No.3.

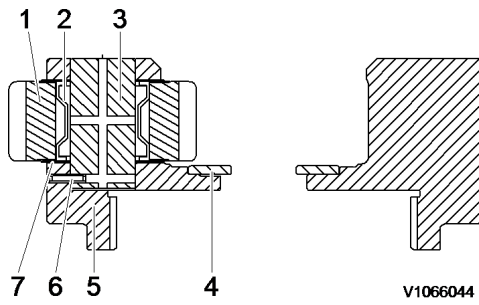


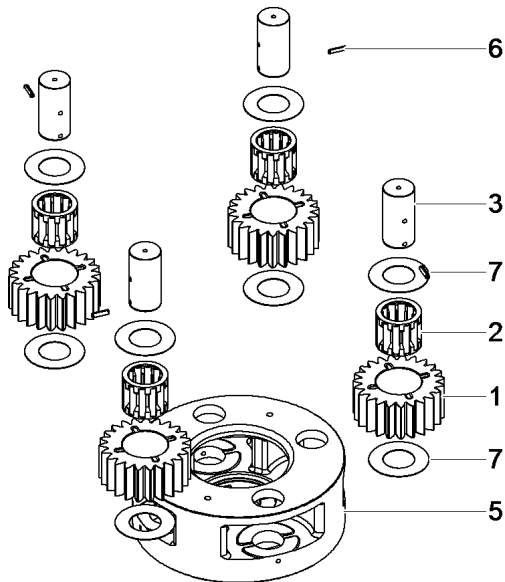
Figure 12
Removal, carrier assembly No.3

- Tap spring pin (6) into pin No.3 (3).
- Remove washer_thrust (7), planetary gear No.3 (1) and bearing_needle (2) from carrier_No.3 (5).
- Remove ring_thrust.

○ Tools: Eye bolt (M10), Hammer

⚠ WARNING

The parts are heavy. Take appropriate safety precautions.



V1066045

Figure 13
Exploded view, planetary gear No.3 assembly

NOTE!

Match mark gears (1), pins (3) and carrier (5).

NOTE!

Do not mix the gears, bearing, washer_thrusts, and pin assemblies.

NOTE!

Do not reuse spring pins (6).

12. Remove the ring gear (1).

<https://www.ebooklibonline.com>

Hello dear friend!

Thank you very much for reading.

Enter the link into your browser.

The full manual is available for immediate download.

<https://www.ebooklibonline.com>