

Document Title: Counterweight, removal	Function Group: 716	Information Type: Service Information	Date: 2015/11/2
Profile:			

Counterweight, removal

Op nbr 716-01

=

Lifting eyes 2 pcs. (M30)



WARNING

Heavy lift. Make sure that nobody is standing under the counterweight when it is lifted.

1. Park the machine on a horizontal and stable surface.
2. Loosen the mounts **1** and the gas struts **2**. Remove the engine hood.

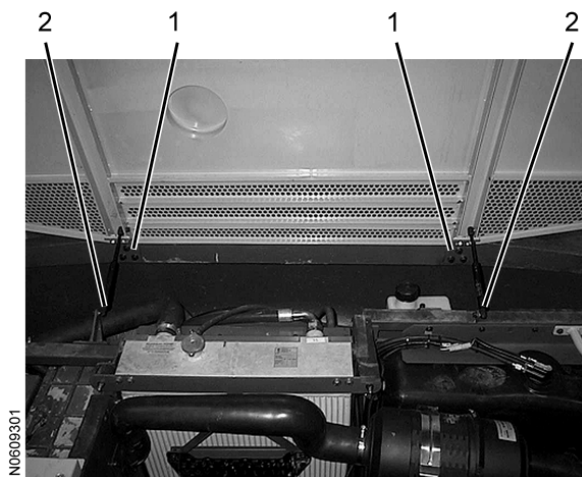


Figure 1
Engine hood, counterweight

1. Mount
 2. Gas strut
3. Remove the protective plugs from the holes for the lifting eyes.
 4. Fit the lifting eyes **1**.
 5. Connect a lifting sling (min. 3.5 ton) between the lifting eyes and a lifting device. Tighten the lifting sling.

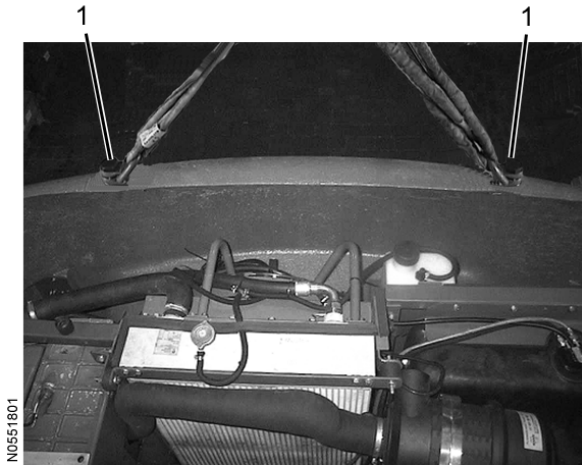


Figure 2
Counterweight

1. Lifting eye
6. Remove the inspection covers **1** (2 hatches, left and right side).



Figure 3
Inspection cover, underside of counterweight

1. Inspection cover
7. Unplug the connectors **1** for the tail lights (2 connectors, left and right side).



Figure 4

Inside of counterweight

1. Connector
8. Remove the bolts **1** (4 bolts).



Figure 5
Counterweight mount

1. Bolt
9. Lift away the bolt supports (2 supports) on the inside of the counterweight.
10. Carefully lift away the counterweight. Make sure that the fan motor is not damaged.

NOTE!

Check and note the number of spacers **1** by the mounts.

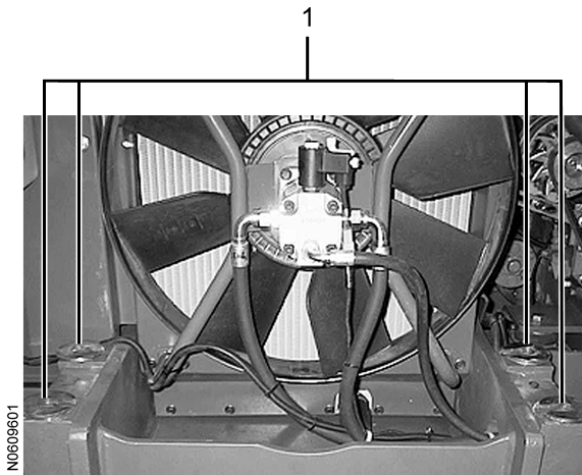


Figure 6
Counterweight mount

1. Spacers
11. Lower the counterweight on a horizontal, firm surface and support it so that it cannot fall over.
12. Remove the lifting sling.

<https://www.ebooklibonline.com>

Hello dear friend!

Thank you very much for reading.

Enter the link into your browser.

The full manual is available for immediate download.

<https://www.ebooklibonline.com>

Document Title: Counterweight, installation	Function Group: 716	Information Type: Service Information	Date: 2015/11/2
Profile:			

Counterweight, installation

Op nbr 716-02

=

Lifting eyes 2 pcs. (M30)



Heavy lift. Make sure that nobody is standing under the counterweight when it is lifted.

1. Check that the number of spacers **1** corresponds to the number previously noted.

NOTE!

Centre the spacers in relation to the holes.

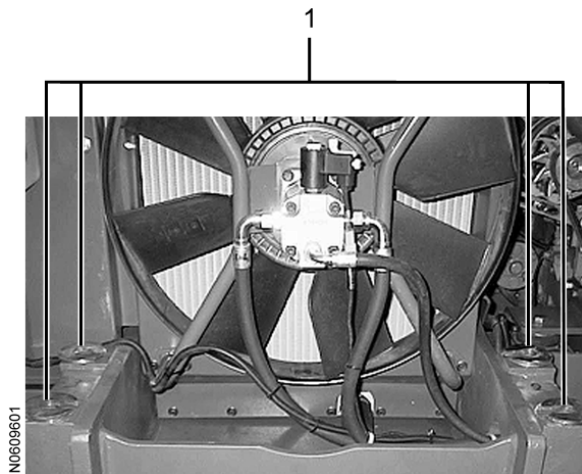


Figure 1
Counterweight mount

1. Spacers
2. Connect a lifting sling (min. 3.5 ton) between the lifting eyes **1** and a lifting device. Tighten the lifting sling.
3. Carefully lift the counterweight into position. Make sure that the fan motor is not damaged.

NOTE!

The spacers must not move out of position when the counterweight is lowered.

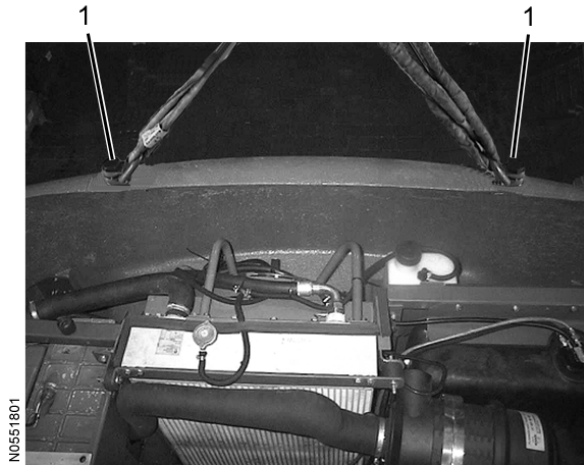


Figure 2
Counterweight

1. Lifting eye
4. Fit the bolt supports (2 supports) on the inside of the counterweight.
5. Fit the bolts **1** (4 bolts) and tighten them.
Tightening torque: **900 Nm**.



Figure 3
Counterweight mount

1. Bolt
6. Remove the lifting sling from the lifting eyes.
7. Remove the lifting eyes and fit the protective plugs in the holes.
8. Plug in the connectors **1** for the tail lights (2 connectors, left and right side).



Figure 4
Inside of counterweight

1. Connector

9. Fit the inspection covers **1** (2 covers, left and right side).



Figure 5
Inspection cover, underside of counterweight

1. Inspection cover

10. Fit the engine hood by fastening the mounts **1** and gas struts **2**.

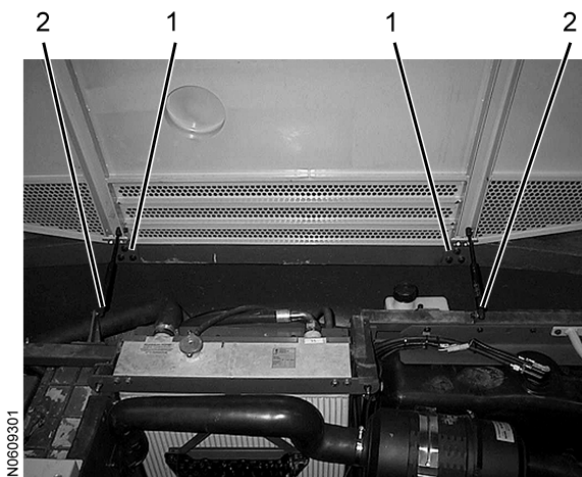


Figure 6

Engine hood, counterweight

1. Mount
2. Gas strut

Document Title: Undercarriage, description	Function Group: 7181	Information Type: Service Information	Date: 2015/11/2
Profile:			

Undercarriage, description

Each track is driven by a two-step axial piston motor. There is a retardation valve integrated in the axial piston motor that automatically restricts the oil supply in case of excessive speed. The track brakes are of the disc type and are integrated in the planetary gearbox. The brakes are applied by spring force and are released hydraulically (negative brake). The travel motor and gears are built into the gearbox.

The frame is all-welded and consists of two track frames and a mid-section with four horizontal beams forming an X-shape.

The superstructure is rotated by a low-speed radial piston motor. There is a negative slew brake in the radial piston motor. Between the engine and the slew ring, there is a slew gear engaged with gears on the inside of the ring gear. The slew ring connects the superstructure with the undercarriage and is lubricated by grease. A centre passage provides the hydraulic components in the undercarriage with hydraulic oil.



Suggest:

For more complete manuals. Please go to the home page.

<https://www.ebooklibonline.com>

If the above button click is invalid. Please download this document first, and then click the above link to download the complete manual.

Thank you so much for reading

Document Title: Front wheel, installation	Function Group: 7751	Information Type: Service Information	Date: 2015/11/2
Profile:			

Front wheel, installation

Op nbr 7751-02

14 290 046 Track bolt press

1. Fit the front wheel. Tighten the bolts **1** (4 bolts).
Tightening torque: **85 Nm**.

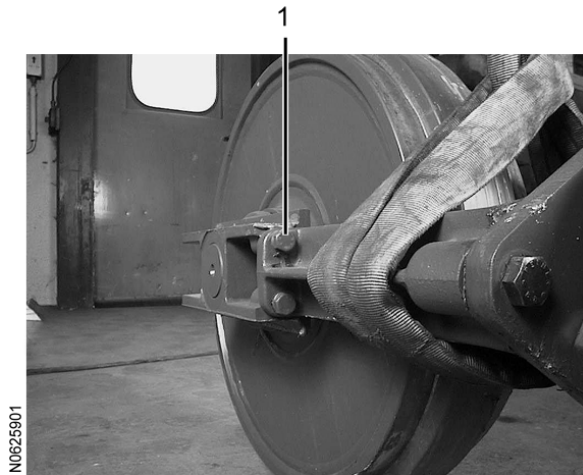


Figure 1
Front wheel

1. Bolt
2. Grease the guides (top and bottom) in order to facilitate installation.
3. Clean the guides in the track frame.
4. Lift the front wheel into position.



Figure 2
Front wheel and sling

5. Remove the sling.
6. Push the front wheel into place using a crow bar.
7. Fit the track according to *Track, fitting*.

<https://www.ebooklibonline.com>

Hello dear friend!

Thank you very much for reading.

Enter the link into your browser.

The full manual is available for immediate download.

<https://www.ebooklibonline.com>