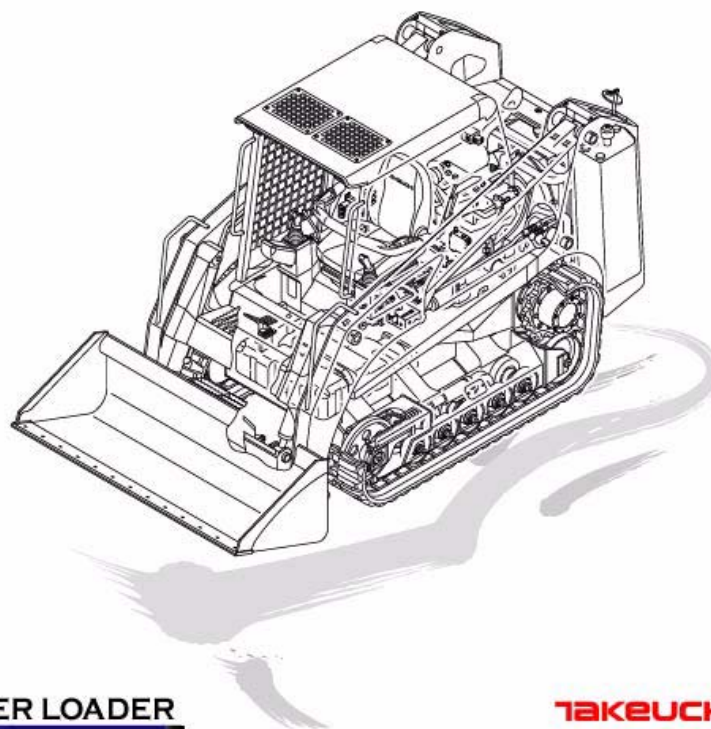


PARTS MANUAL

TL230

Serial No. 223000001~

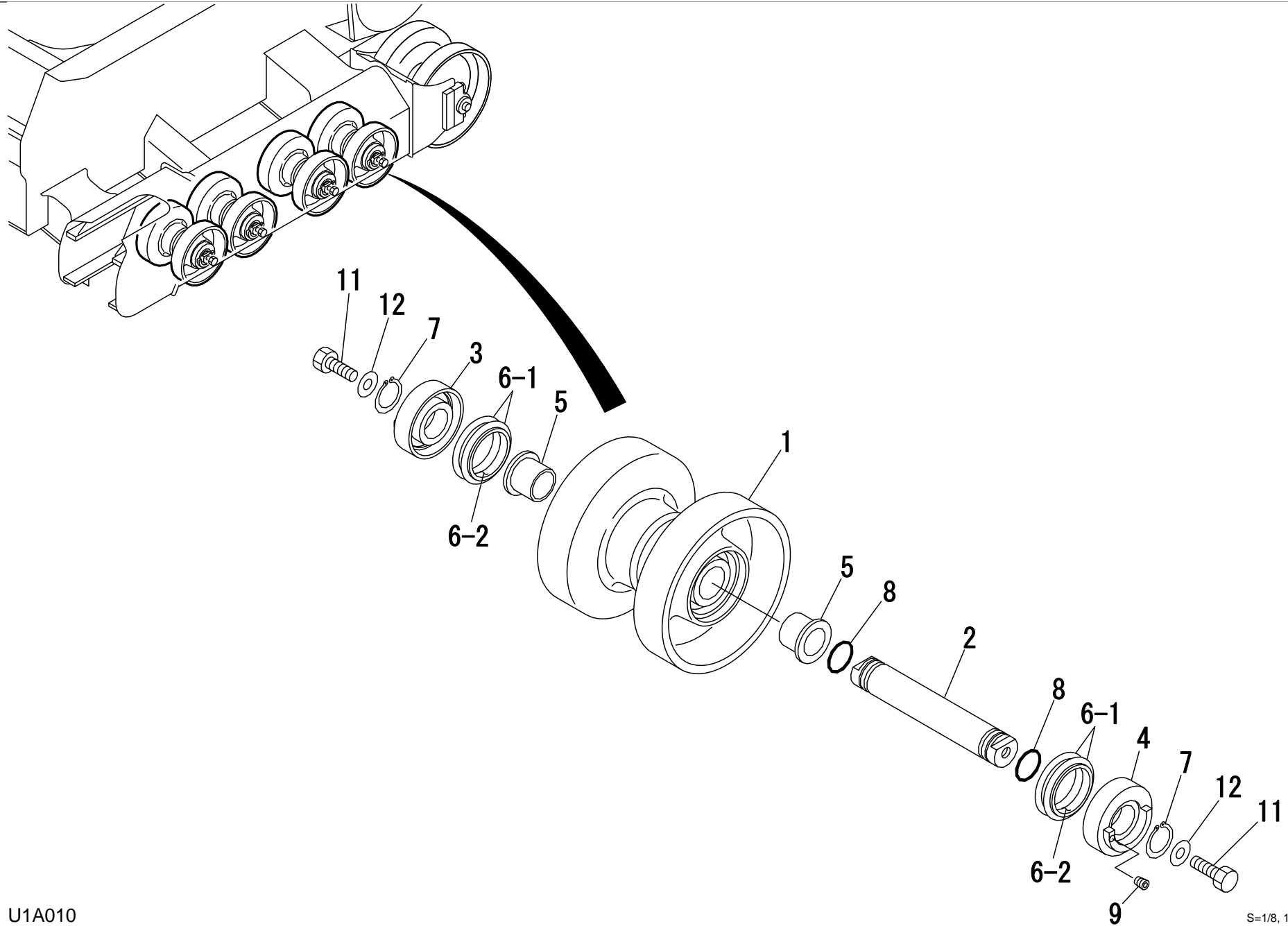
BU1Z007(P-TL230BAE)



CRAWLER LOADER

TAKEUCHI

TL230 (P-TL230BAE) BU1Z007 S/N 223000001-
TRACK ROLLER A



TRACK ROLLER A

Item	Part number	Description	Q'ty	Chan.	Serial No.	Serv.	Remarks
0-1	0880130100	ROLLER ASSY, track	8				
1	0880130010	· ROLLER	1				
2	0860134010	· SHAFT	1				
3	0221240400	· COVER	1				
4	0651300190	· COVER	1				
5	1333073535	· BUSHING	2				
6	1432500560	· SEAL, floating	2				
6-1	X *****	· · O-RING	2			M	not service
6-2	X *****	· · RING, seal	2			M	not service
7	1220000035	· RING, snap	2				
8	1420100300	· O-RING	2				
9	1501840000	· PLUG	1				
11	1100041645	BOLT	16				
12	1141550016	WASHER	16				
	U1a011						

<https://www.ebooklibonline.com>

Hello dear friend!

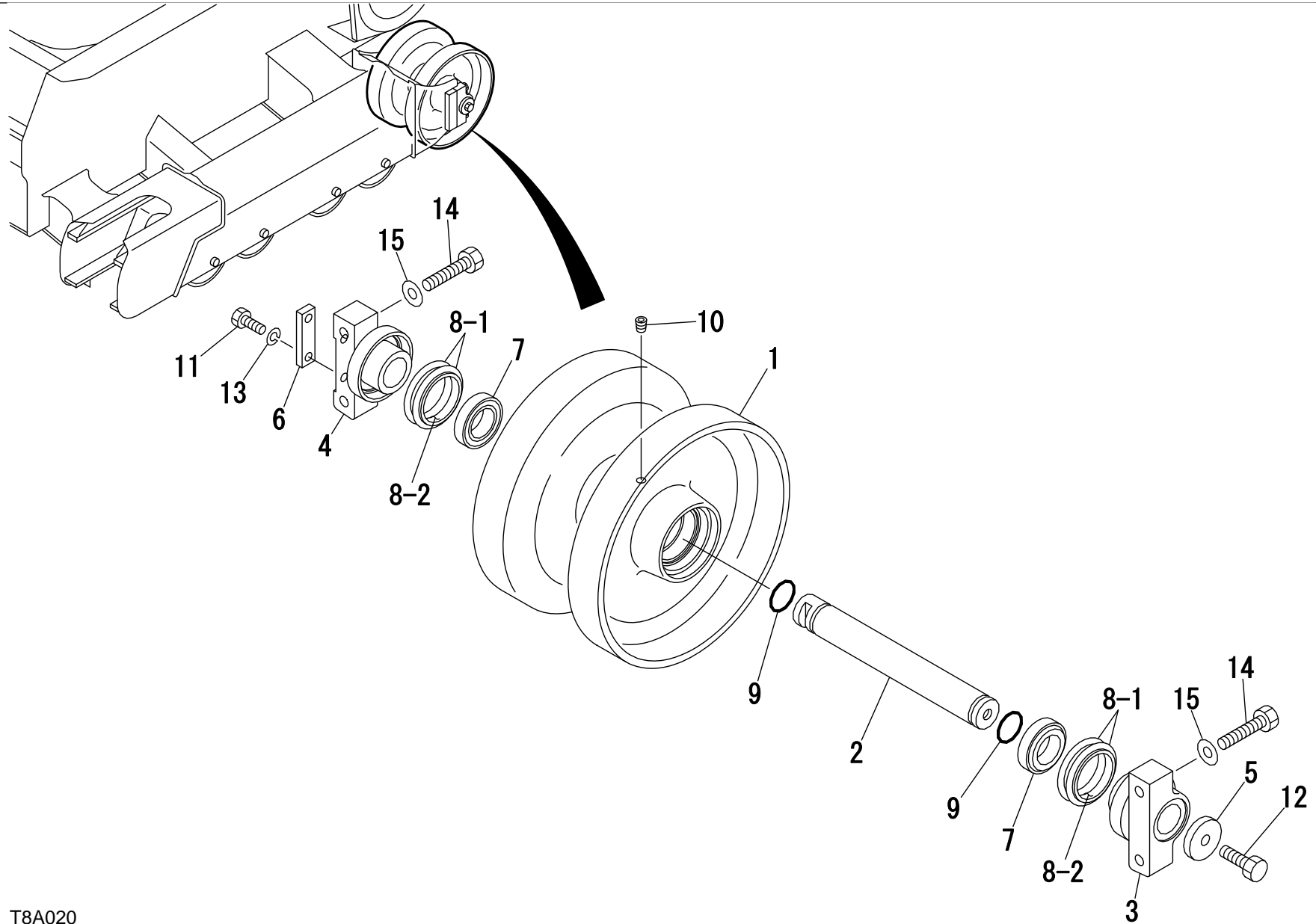
Thank you very much for reading.

Enter the link into your browser.

The full manual is available for immediate download.

<https://www.ebooklibonline.com>

TL230 (P-TL230BAE) BU1Z007 S/N 223000001-
TRACK ROLLER B

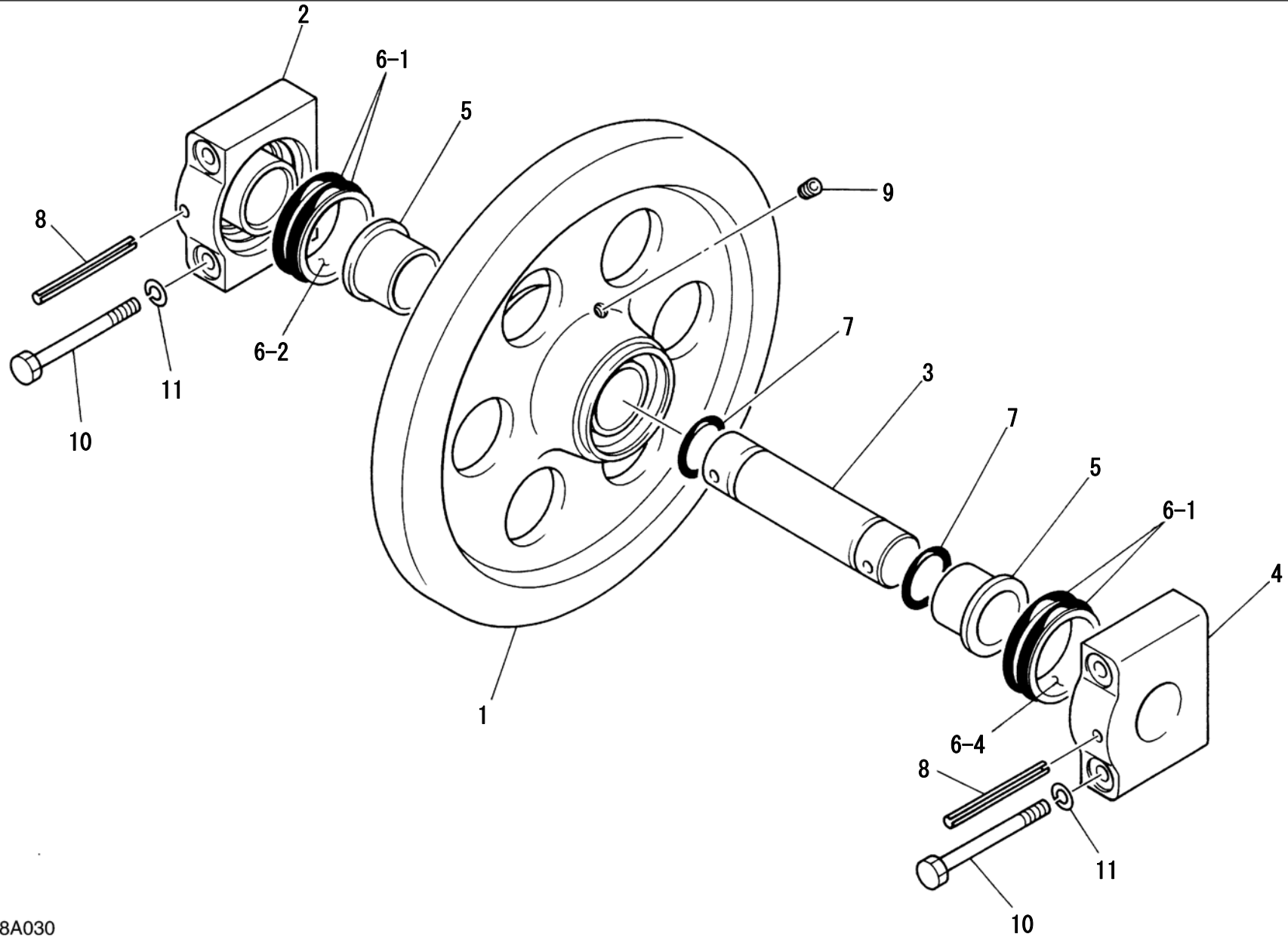


T8A020

TRACK ROLLER B

Item	Part number	Description	Q'ty	Chan.	Serial No.	Serv.	Remarks
		ROLLER ASSY, track				M	
0-1	0880135600	ROLLER SUB ASSY, track	2				
1	0880135610	· ROLLER	1				
2	0880135620	· SHAFT	1				
3	0881131330	· COVER	1				
4	0881131340	· COVER	1				
5	0881131350	· PLATE	1				
6	0881131360	· PLATE	1				
7	1305000004	· BEARING	2				
8	1432500640	· SEAL, floating	2				
8-1	X *****	· · O-RING	2			M	not service
8-2	X *****	· · RING, seal	2			M	not service
9	1420100350	· O-RING	2				
10	1501810001	· PLUG	1				
11	1100041030	· BOLT	2				
12	1106241440	· BOLT	1				
13	1140020010	· WASHER, spring	2				
14	1100041460	BOLT	8				
15	1141550014	WASHER	8				
	U1a031						

TL230 (P-TL230BAE) BU1Z007 S/N 223000001-
FRONT IDLER

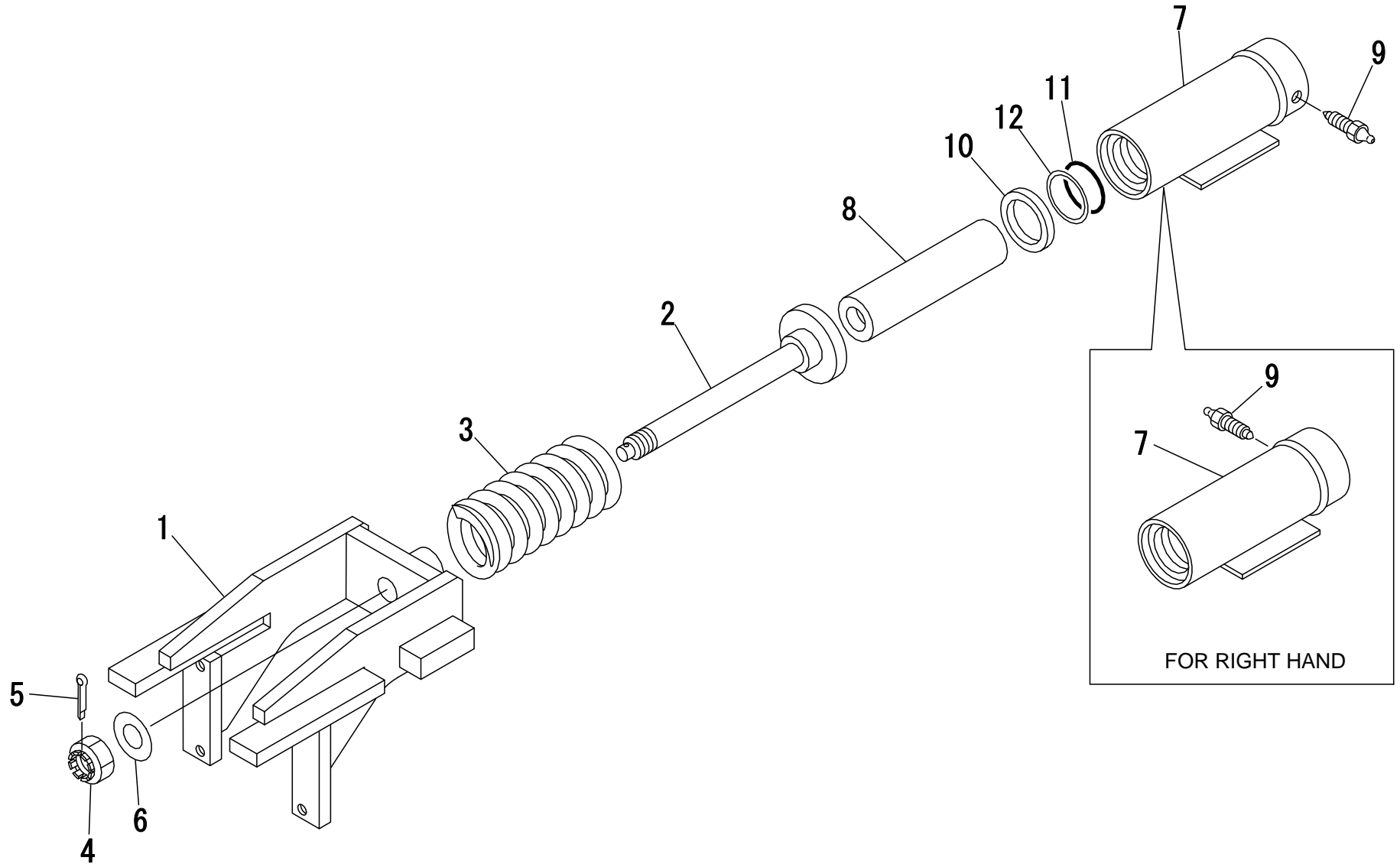


T8A030

FRONT IDLER

Item	Part number	Description	Q'ty	Chan.	Serial No.	Serv.	Remarks
0	0880140000	IDLER ASSY	2				
1	0880140010	· IDLER	1				
2	0880140020	· COVER (R.H.)	1				
3	0871140030	· SHAFT	1				
4	0880140030	· COVER (L.H.)	1				
5	1333064540	· BUSH	2				
6	1432500640	· SEAL, floating	2				
6-1	X *****	· · O-RING	2			M	not service
6-2	X *****	· · RING, seal	2			M	not service
7	1420100400	· O-RING	2				
8	1213101000	· PIN, spring	2				
9	1501820001	· PLUG	1				
10	1101141215	BOLT	8				
11	1140020012	WASHER, spring	8				
	U1a042						

TL230 (P-TL230BAE) BU1Z007 S/N 223000001-
TRACK ADJUSTER

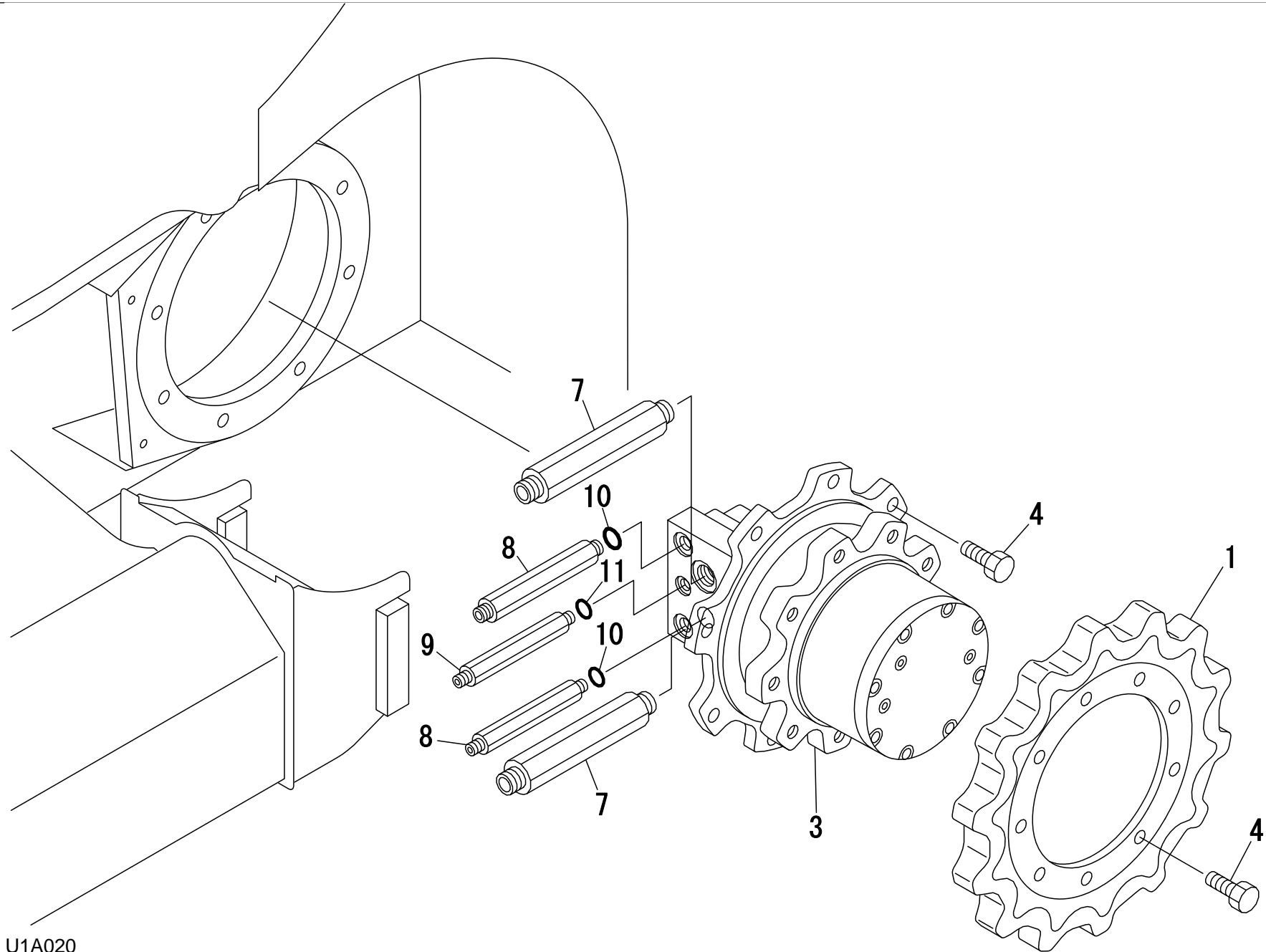


T8A040

TRACK ADJUSTER

Item	Part number	Description	Q'ty	Chan.	Serial No.	Serv.	Remarks
0-1	0880152000	SPRING ASSY (L.H.)	1				
	0880152300	SPRING ASSY (R.H.)	1				
1	0880152110	· YOKE	1				
2	0880152120	· ROD	1				
3	0007000004	· SPRING	1				
4	1132030024	· NUT	1				
5	1210000545	· PIN, split	1				
6	1141550024	· WASHER	1				
0-1	0880152200	· CYLINDER ASSY (L.H.)	1				
	0880152400	· CYLINDER ASSY (R.H.)	1				
7	0880152210	· · CYLINDER, grease (L.H.)	1				
	0880152410	· · CYLINDER, grease (R.H.)	1				
8	0880152220	· · PISTON	1				
9	1541300501	· · VALVE ASSY, check	1				
10	1400402835	· · SEAL, oil	1				
11	1422010500	· · O-RING	1				
12	1421020500	· · RING, back-up	1				
	U1a051						

TL230 (P-TL230BAE) BU1Z007 S/N 223000001-
TRAVEL DEVICE



U1A020

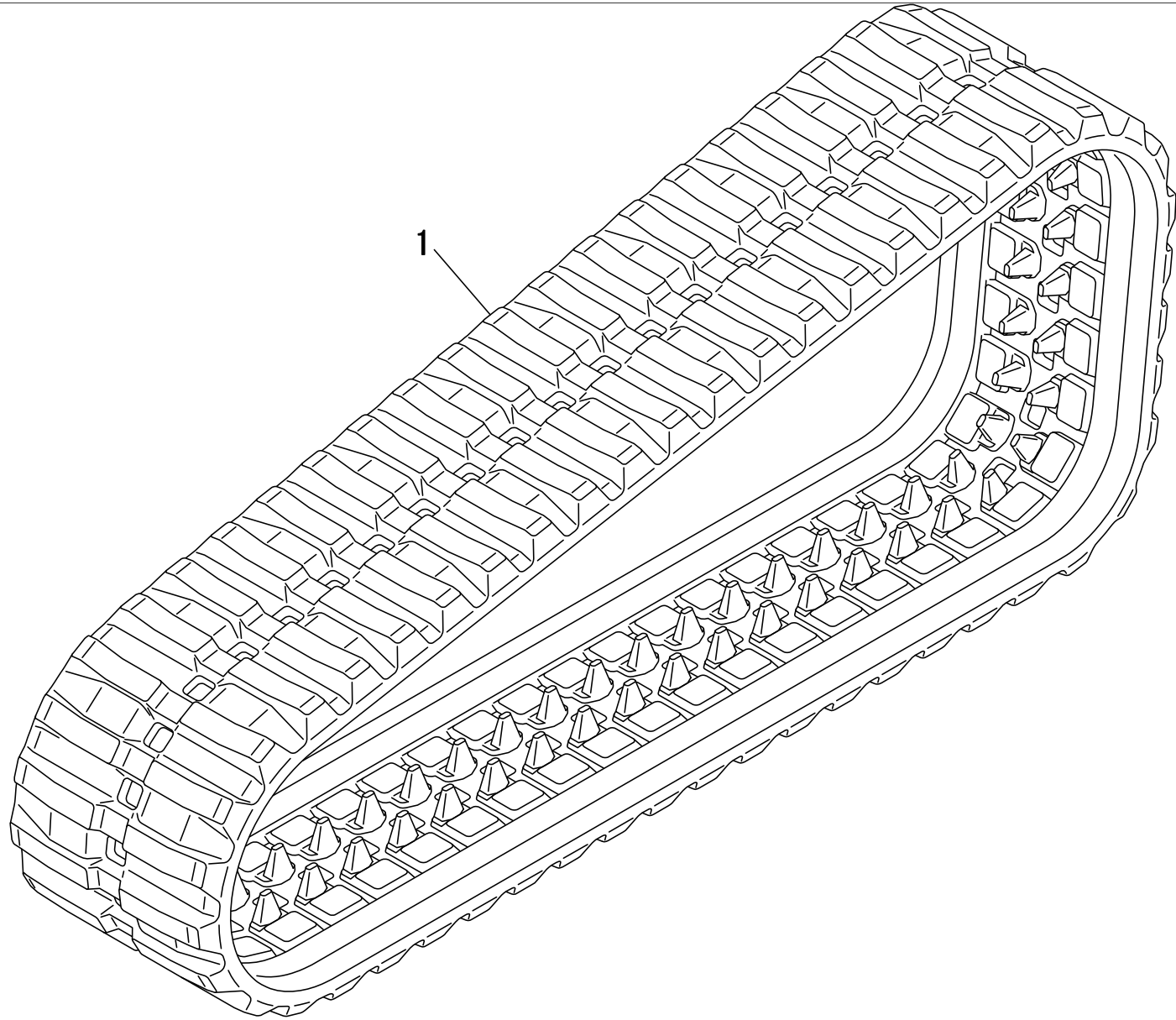
Reference U1A020

S=1/7.5

TRAVEL DEVICE

Item	Part number	Description	Q'ty	Chan.	Serial No.	Serv.	Remarks
1	0880166210	MOTOR ASSY, travel	2				
3	1903126600	SPROCKET	2				
4	1100041635	MOTOR, travel	2				
7	0880166130	BOLT	34				
	1420010240	ADAPTOR	4				
	1420010240	O-RING	1				
8	0007203069	ADAPTOR	4				
9	0007203073	ADAPTOR	2				
10	1420010110	O-RING	4				
11	1420010140	O-RING	2				
	U1a021						

TL230 (P-TL230BAE) BU1Z007 S/N 223000001-
CRAWLER BELT

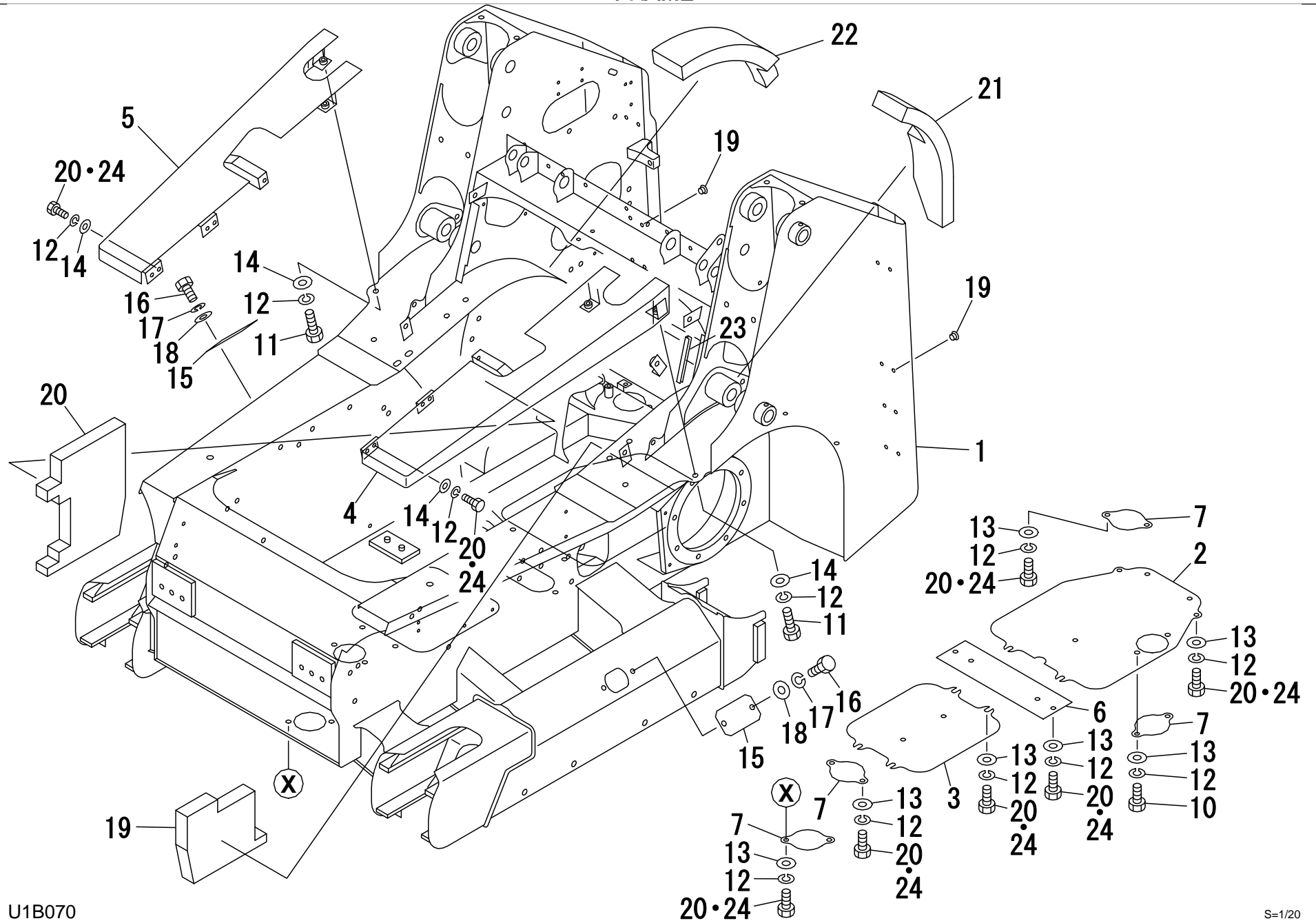


T7A060

CRAWLER BELT

Item	Part number	Description	Q'ty	Chan.	Serial No.	Serv.	Remarks
1	1914061430	BELT, rubber crawler	2				
	1914061410	BELT, rubber crawler (Aggressive lug type)	2				
	U1a060						

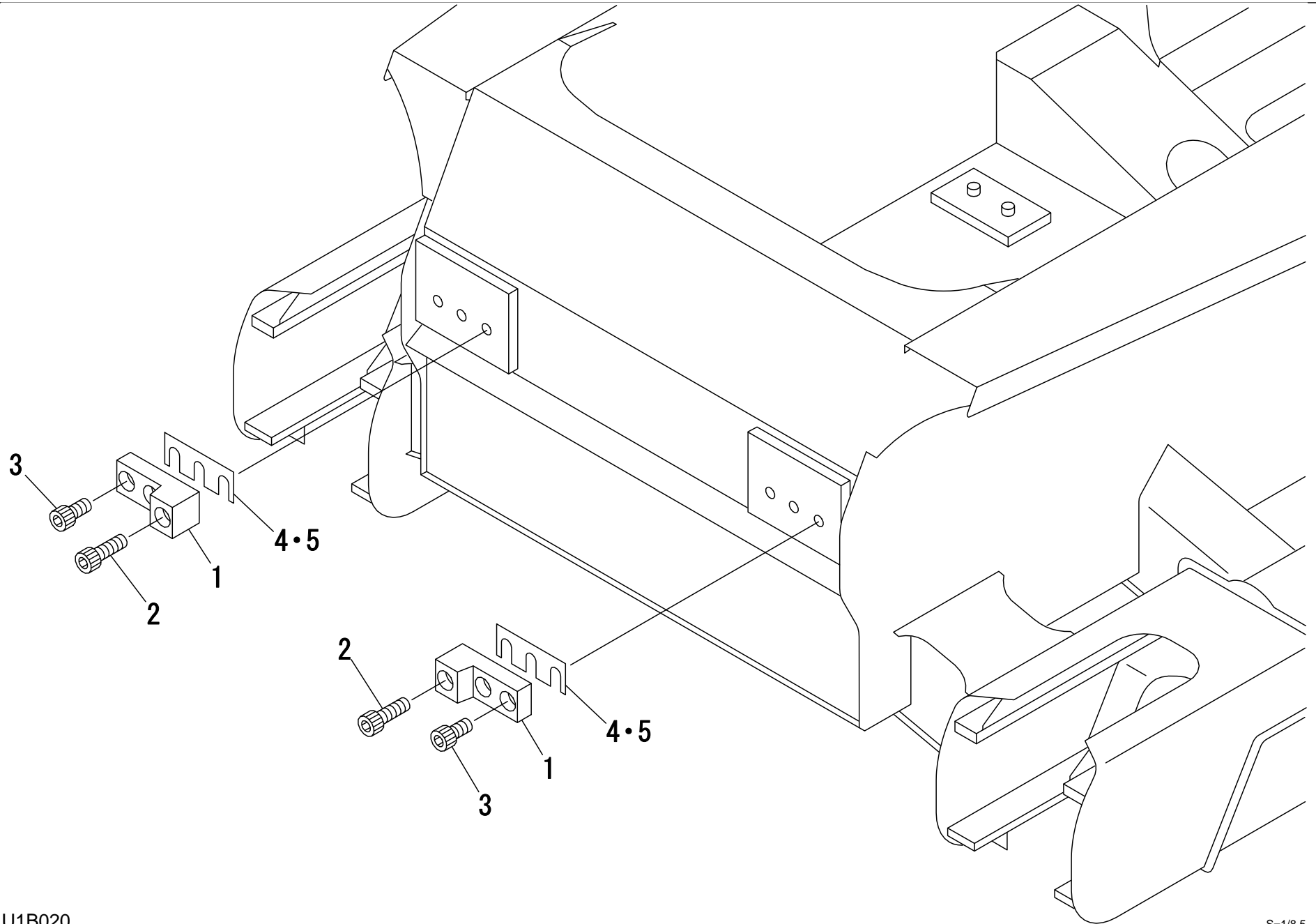
TL230 (P-TL230BAE) BU1Z007 S/N 223000001-
FRAME



FRAME

Item	Part number	Description	Q'ty	Chan.	Serial No.	Serv.	Remarks
		FRAME ASSY				M	
		FRAME ASSY (for EU)				M	
1	X *****	FRAME	1			M	
2	0880308010	COVER	1			M	
3	0880308020	COVER	1			M	
4	0880309300	COVER (L.H.)	1			M	
5	0880309350	COVER (R.H.)	1			M	
6	0880305080	COVER	1			M	
7	0881302095	COVER	4			M	
10	1100041020	BOLT	2			M	
11	1100041035	BOLT	4			M	
12	1140020010	WASHER, spring	32			M	
13	1141110010	WASHER	18			M	
14	0003600025	WASHER	14			M	
15	0331018600	COVER	2			M	
16	1100040816	BOLT	4			M	
17	1140020008	WASHER, spring	4			M	
18	1141110008	WASHER	4			M	
19	1652533021	CAP	16			M	
	0880963990	ABSORBENT, noise	1			M	for EU
20	1100041025	BOLT	26			M	
	0880964000	ABSORBENT, noise	1			M	for EU
21	0880964010	ABSORBENT, noise	1			M	for EU
22	0663002050	ABSORBENT, noise	1			M	for EU
23	1653916015	TRIM (sold by the meter)	1			M	for EU
24	1100041025	BOLT	26			M	for EU
	U1b070						

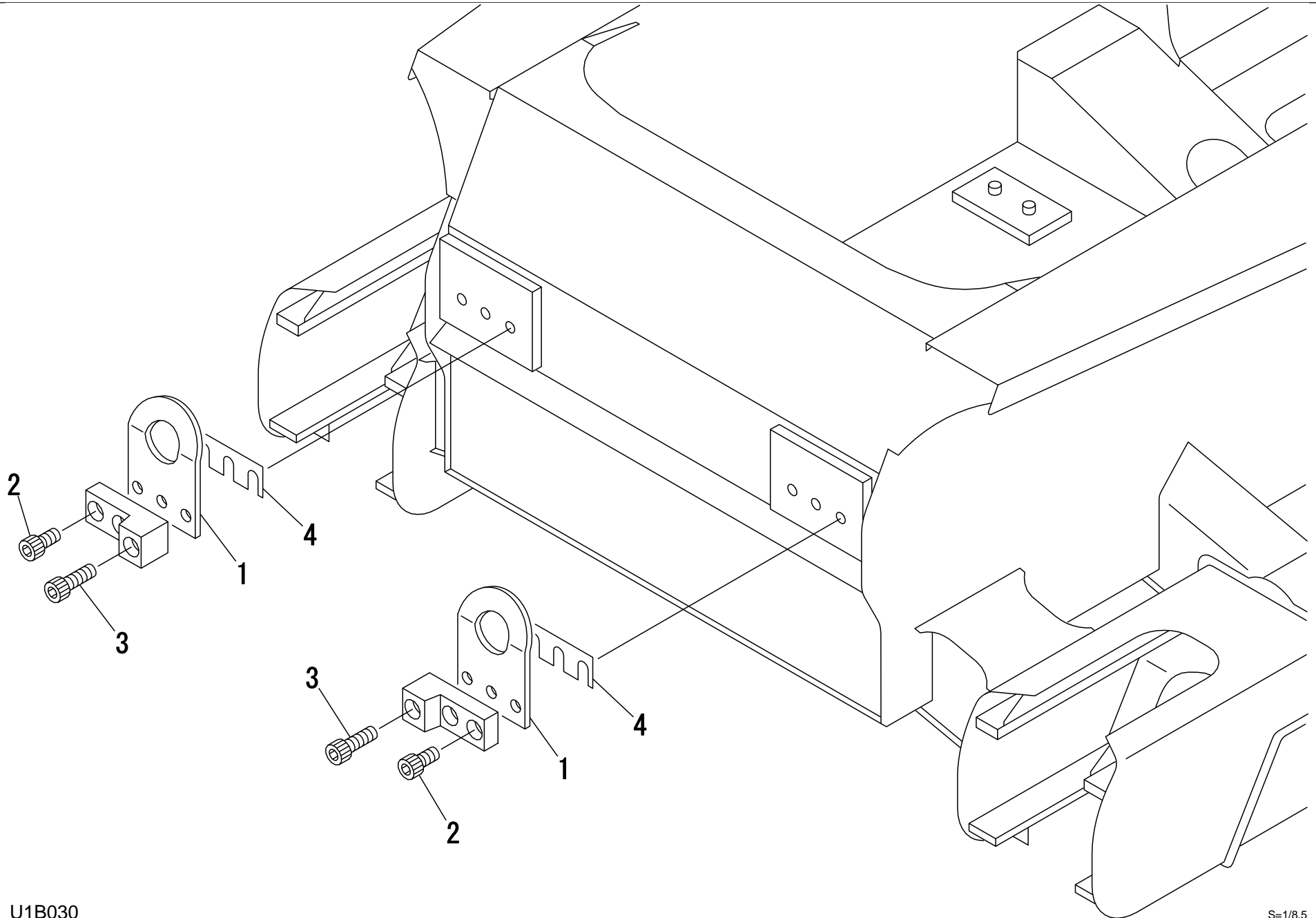
TL230 (P-TL230BAE) BU1Z007 S/N 223000001-
ARM STOPPER



ARM STOPPER

Item	Part number	Description	Q'ty	Chan.	Serial No.	Serv.	Remarks
1	0880604910	STOPPER ASSY	2				
2	1110041645	SCREW, cap	2				
3	1110041625	SCREW, cap	4				
4	0880604950	SHIM	AR				t=1.0mm
5	0880606950	SHIM	AR				t=0.5mm
	T8b020						

TL230 (P-TL230BAE) BU1Z007 S/N 223000001-
HOOK





Suggest:

For more complete manuals. Please go to the home page.

<https://www.ebooklibonline.com>

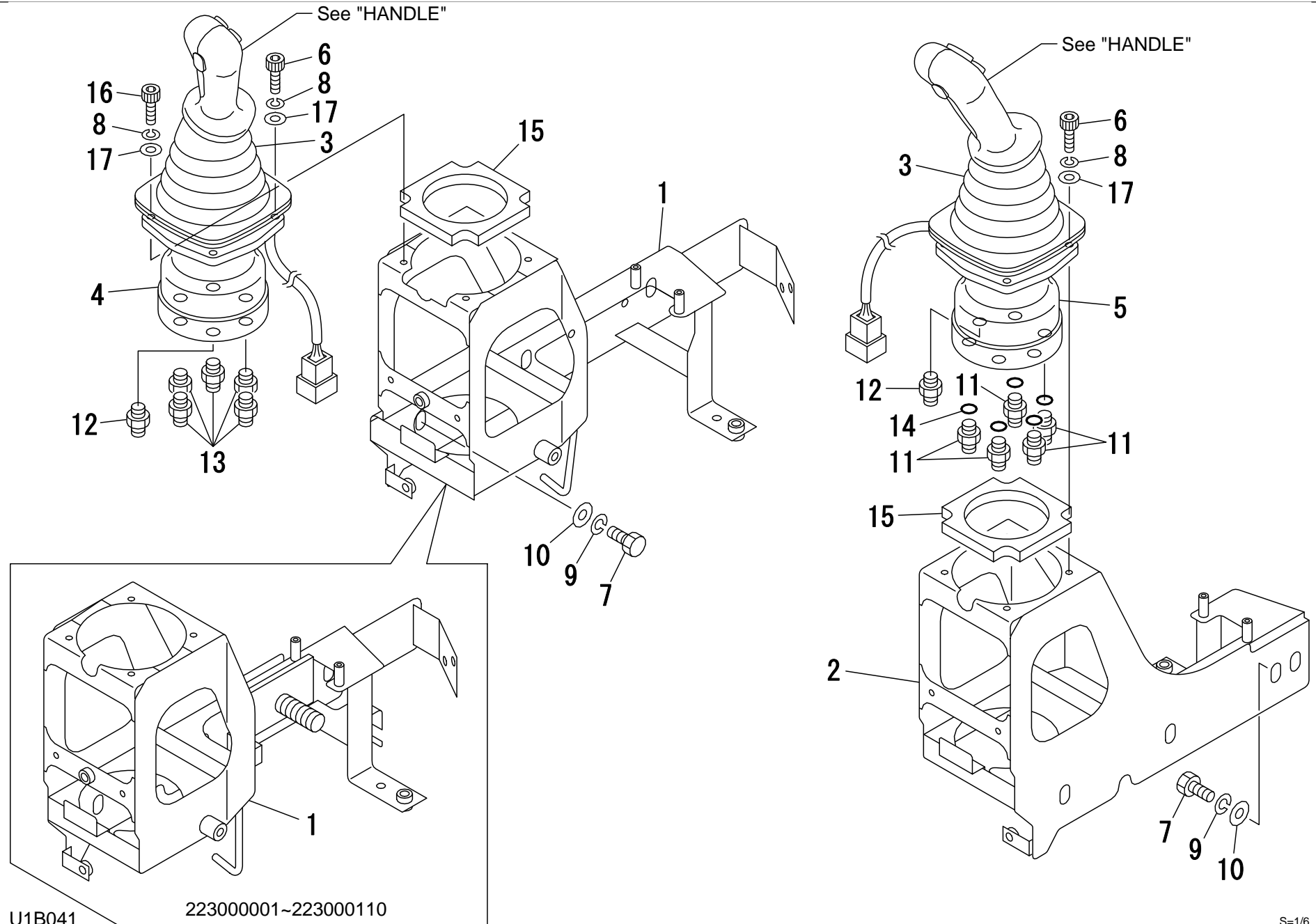
If the above button click is invalid. Please download this document first, and then click the above link to download the complete manual.

Thank you so much for reading

HOOK

Item	Part number	Description	Q'ty	Chan.	Serial No.	Serv.	Remarks
1	0880311020	HOOK ASSY	2				
2	1110041635	HOOK	4				
3	1110041655	SCREW, cap	2				
4	0880604950	SCREW, cap	AR				t=1.0mm
	0880606950	SHIM	AR				t=0.5mm
	U1b030						

TL230 (P-TL230BAE) BU1Z007 S/N 223000001-
OPERATION LEVER & STAND



Reference U1B041

<https://www.ebooklibonline.com>

Hello dear friend!

Thank you very much for reading.

Enter the link into your browser.

The full manual is available for immediate download.

<https://www.ebooklibonline.com>