

CRAWLER LOADER

TL26

WORKSHOP MANUAL

SERIAL NUMBER
TL26 : 2620002~

FOREWORD

This manual is intended for persons who engage in maintenance operations, and explains procedures for disassembly and reassembly of the machine, check and maintenance procedures, maintenance reference values, troubleshooting and outline specifications, etc. Please use this manual as a reference in service activities to improve maintenance techniques.

Further, please be advised that items contained in this manual are subject to change without notice due to design modifications, etc.

MACHINE FRONT AND REAR, LEFT AND RIGHT

The end where the bucket is mounted is the front and the end with the travel motors is the rear. Also the right and left sides of the operator when he is seated in the driver's seat are the right and left sides of the machine.

MACHINE SERIAL NUMBER

The machine serial number is stamped on the identification plate. When sending reports and inquiries, and when ordering parts, etc., be sure to include this number.

MANUAL CONTROL

Information on those to whom this manual is distributed is recorded in the ledger in the section in charge at this company, so please decide on a person to be in charge of it and control it. When there are updates or additions, etc., we will notify the person in charge.



I . GENERAL



II . SPECIFICATIONS



III . MACHINE CONFIGURATION



IV . HYDRAULIC UNITS



V . TROUBLESHOOTING



IV . ENGINE

<https://www.ebooklibonline.com>

Hello dear friend!

Thank you very much for reading.

Enter the link into your browser.

The full manual is available for immediate download.

<https://www.ebooklibonline.com>



I . GENERAL

FOREWORD

This section, GENERAL, summarizes the basic items which persons servicing the machine should be cautious about, and includes only those items which are essential for safe and correct operation. Please read this section thoroughly and apply it in maintenance operations.

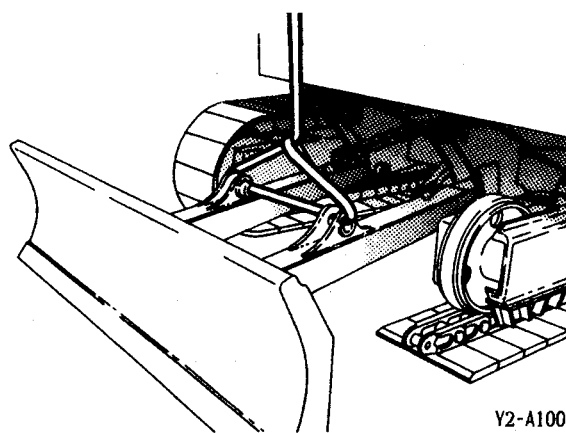
Further, since the contents of this manual may change due to future revisions, if you have any opinions or observations concerning this manual, please notify the person responsible.

CONTENTS

General Cautions 3
Cautions during Disassembly and Assembly 4
Cautions during Removal and Installation of the Hydraulic Units 5
Cautions during Removal and Installation of Piping 6
Handling of Seals 7
Tightening Torques 8

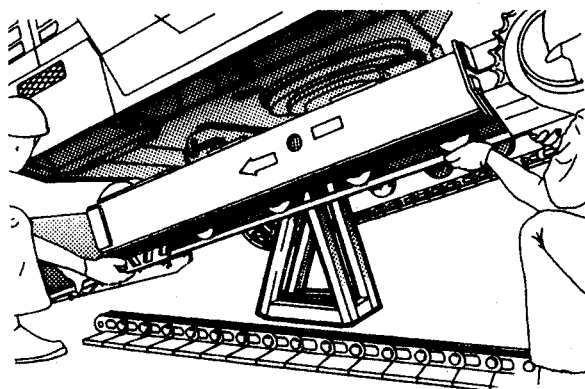
GENERAL CAUTIONS

1. Wear a helmet, safety shoes and work clothes.
2. Be sure to check equipment and tools, particularly equipment used for hoisting.
3. If more than one person is working together, decide the job and call sign and maintain good communications during operations.
4. Crane operation and hoisting should be done by persons with the proper qualifications.
5. Keep all persons from getting underneath a suspended load.
6. Before removing the installation bolts of heavy parts, support the parts by temporary hoisting a crane.



Y2-A100

7. If lifting a machine with a hoe attachment, etc. and going underneath it, be sure to support it with stands etc.



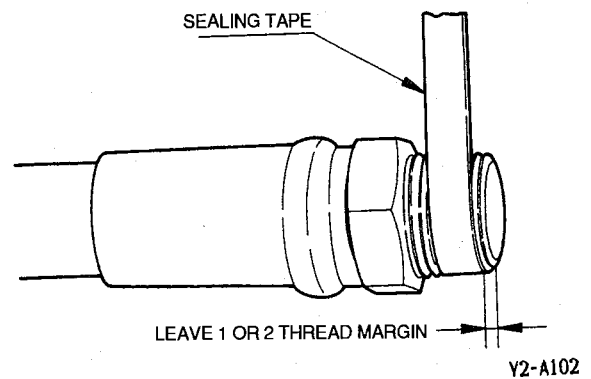
Y2-A101

8. When repairing the electrical system, disconnect the cables from the battery before beginning the operation.
9. When welding the machine, disconnect the battery first.
10. Maintain the standard tightening torques for piping and bolts, etc.
11. After completing repairs, run the engine at low speed, and conduct trial operation after filling it full with operating oil.

GENERAL

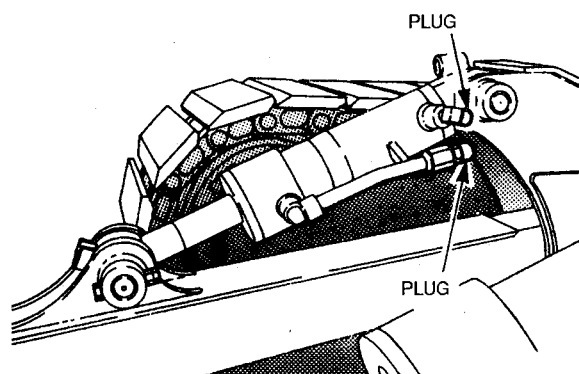
CAUTIONS DURING DISASSEMBLY AND ASSEMBLY

1. Clean the machine before disassembly operation.
2. Before disassembly, check the machine conditions and record them.
 - Model, Machine Serial Number, Hourmeter
 - Reason for Repairs, Repairs History
 - Dirtiness of Filters
 - Fuel and Oil Conditions
 - Damage to each parts, etc.
3. To make reassembly operations easy, make matching marks at the necessary points.
4. Clean all disassembled parts and new parts, then arrange them in the proper sequence.
5. Be sure to replace all seals and cotter pins, etc. with new parts.
6. Keep parts which should not come in contact with oil and water separate from parts with oil on them.
 - Electrical Parts, Rubber, V-Belts, etc.
7. When installing bearings, bushings and oil seals, as a rule, use a press. When a hammer, etc. is used, it leaves bruises.
8. Wipe all joining surfaces clean so that there is no dirt or dust adhering to them.
9. Wrap seal tape from the front end, Wrapping it tight and leaving 1 or 2 threads bare, Overlap the tape by about 10mm.



**CAUTIONS DURING REMOVAL AND
INSTALLATION OF THE HYDRAULIC UNITS**

1. Make sure that the hydraulic oil's temperature has dropped.
2. To prevent a loss of flow of the hydraulic oil, the residual pressure in the piping should be bled out.
3. Be sure to install caps or plugs on all openings in the hydraulic unit to prevent dirt from getting into the unit through the openings.



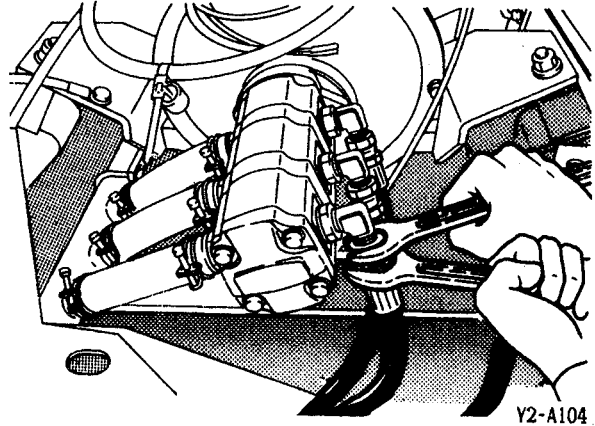
Y2-A103

4. It is easy to mistake hydraulic oil adhering to the hydraulic unit for an oil leak, so wipe the unit off thoroughly.
5. Be sure that no damage is done to the plating on the rod in the hydraulic cylinder.
6. As a rule, removal and installation of the hydraulic cylinder should be done with the rod fully retracted.
7. When removing and installing the hydraulic cylinder, be sure to bleed out the air.
(See the item in "IV. Hydraulic Units, Cylinder".)

GENERAL

CAUTIONS DURING REMOVAL AND INSTALLATION OF PIPING

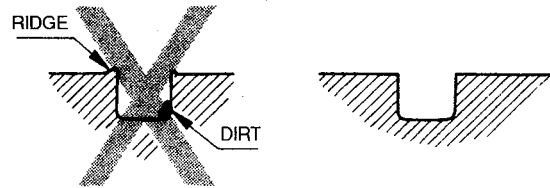
1. When hydraulic hoses are installed, tighten them once to the prescribed torque, then loosen them slightly and retighten them to the prescribed torque.
 - Tighten the fittings after the installation surfaces fit snugly together.
 - Pieces wrapped with seal tape are excluded.
2. Use 2 spanners, each on an opposite side, to remove and tighten fittings so that the hoses or steel pipes are not twisted.



3. After installation of hydraulic hoses or steel pipes, apply the maximum working pressure 5 or 6 times and confirm that there is no leakage.

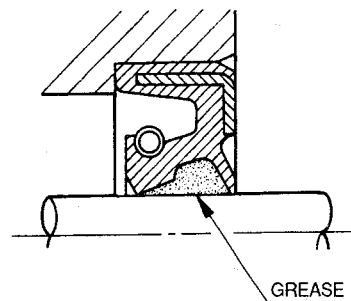
HANDLING OF SEALS

1. Clean the grooves for O-rings and if there is any ridge, etc, remove it.



Y2-A105

2. Be careful not to twist O-rings. If an O-ring is twisted, remove the twist with the fingertips.
3. During insertion, be careful not to damage the seal.
4. Handling of Floating Seals
 - Wipe all oil off the O-ring and housing of the floating seal.
 - When assembling, apply a thin coating of gear oil to the contact surface of the housing.
 - After assembly, turn the seal 2 or 3 times to get it to fit snugly.
5. Apply grease to the lip of the oil seal.
 - This is to prevent wear when it is first started up after assembly.



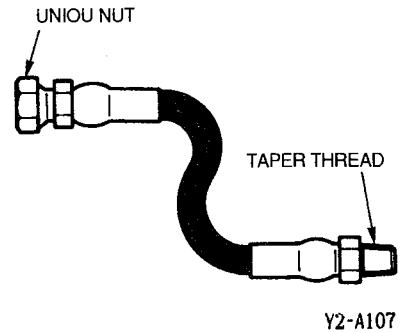
Y2-A106

GENERAL

TIGHTENING TORQUES

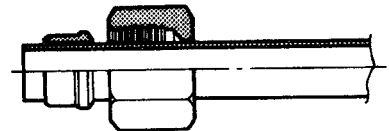
Hydraulic Hoses

Hose Fitting Size	Torque			
	Union Nut (PF)		Taper Thread (PT)	
	kgf·m	ft-lb	kgf·m	ft-lb
1/8	1.0 ^{+0.5} ₀	7.3 ^{+3.5} ₀	1.2±0.12	8.7±0.8
1/4	2.5 ^{+0.5} ₀	18.1 ^{+3.5} ₀	3.0±0.30	21.7±2.1
3/8	5.0 ^{+0.5} ₀	36.2 ^{+3.5} ₀	5.5±0.55	39.8±3.9
1/2	6.0 ^{+0.5} ₀	43.4 ^{+3.5} ₀	9.0±0.90	65.1±6.4
3/4	12.0 ^{+0.5} ₀	86.8 ^{+3.5} ₀	15.0±1.50	108.5±10.7
1	14.0 ^{+0.5} ₀	101.3 ^{+3.5} ₀	20.0±2.00	144.7±14.3



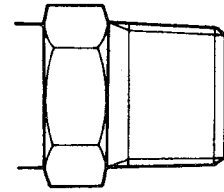
Bite Type Pipe Fitting for Steel Pipe

Pipe Outer Diameter (mm)	Torque	
	kgf·m	ft-lb
8	3.5±0.5	25.3±3.5
10	4.25±0.25	30.7±1.7
12	6.0±0.5	43.4±3.5
15	9.0±0.5	65.1±3.5
16	9.5±0.5	68.7±3.5
18	13.5±0.5	97.6±3.5
22	21.0±1.0	151.8±7.2
27.2	25.0±1.0	181.0±7.2
28	32.0±2.0	231.4±14.3
32	32.0±2.0	231.4±14.3
35	42.0±2.0	303.7±14.3



Joints for Piping

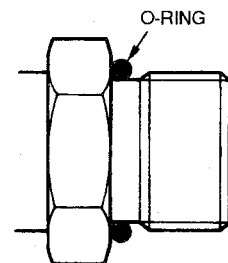
Thread Nominal Diameter (PT)	Torque			
	Steel		Cast Steel	
	kgf-m	ft-lb	kgf-m	ft-lb
1/8	1.2±0.12	8.7±0.8	1.1±0.11	8.0±0.7
1/4	3.0±0.30	21.7±2.1	2.5±0.25	18.1±1.7
3/8	5.5±0.55	39.8±3.9	5.0±0.50	36.2±3.5
1/2	9.0±0.90	65.1±6.4	7.5±0.75	54.3±5.3
3/4	15.0±1.50	108.5±10.7	13.0±1.30	94.1±9.3
1	20.0±2.00	144.7±14.3	17.5±1.75	126.6±12.5



Y2-A109

Joints for Piping (O-ring Seal Type)

Thread Nominal Diameter (PT)	Torque	
	kgf-m	ft-lb
1/8	2.0±0.2	14.5±1.4
1/4	3.5±0.5	25.3±3.5
3/8	5.5±0.5	39.8±3.5
1/2	6.5±0.5	47.0±3.5
3/4	9.5±0.5	68.7±3.5
1	11.0±1.0	79.5±7.2
1-1/4	12.0±1.0	86.8±7.2
1-1/2	14.0±1.0	101.2±7.2



Y2-A110

Thread Nominal Diameter (UNF)	Torque	
	kgf-m	ft-lb
7/16—20	1.7±0.2	12.3±1.4
1/2—20	2.3±0.2	16.6±1.4
9/16—18	3.2±0.3	23.1±2.1
3/4—16	6.1±0.5	44.1±3.5
1-1/16—12	10.4±0.6	75.2±4.4
1-5/16—12	13.8±0.8	99.8±5.8
1-5/8—12	18.5±1.0	133.8±7.2

GENERAL

Bolts and Nuts (for ISO Strength Category 10.9)

Thread	Size × Pitch mm	Torque					
		General Tightening Points			Special Tightening Points		
		N·m	kgf·m	ft·lb	N·m	kgf·m	ft·lb
Coarse	M6 × 1.0	9.8 ±0.5	1.0 ±0.05	7.2 ±0.4	11.8 ±0.6	1.2 ±0.06	8.7 ±0.4
	M8 × 1.25	22.6 ±1.1	2.3 ±0.11	16.6 ±0.8	26.5 ±1.3	2.7 ±0.13	19.5 ±0.9
	M10 × 1.5	47.1 ±2.4	4.8 ±0.24	34.7 ±1.7	54.9 ±2.7	5.6 ±0.28	40.5 ±2.0
	M12 × 1.75	83.4 ±4.1	8.5 ±0.42	61.5 ±3.0	97.1 ±4.8	9.9 ±0.49	71.6 ±3.5
	M14 × 2.0	134.4 ±6.7	13.7 ±0.68	99.1 ±4.9	155.9 ±7.7	15.9 ±0.79	115.0 ±5.7
	M16 × 2.0	207.9 ±10.4	21.2 ±1.06	153.3 ±7.7	241.2 ±12.1	24.6 ±1.23	177.9 ±8.9
	M20 × 2.5	410.9 ±20.5	41.9 ±2.09	303.1 ±15.1	475.6 ±23.7	48.5 ±2.42	350.8 ±17.5
Fine	M8 × 1.0	24.5 ±1.2	2.5 ±0.12	18.1 ±0.9	28.4 ±1.4	2.9 ±0.14	21.0 ±1.0
	M10 × 1.25	50.0 ±2.5	5.1 ±0.25	36.9 ±1.8	58.8 ±2.9	6.0 ±0.30	43.4 ±2.2
	M12 × 1.5	87.3 ±4.3	8.9 ±0.44	64.4 ±3.2	102.0 ±5.1	10.4 ±0.52	75.2 ±3.8
	M14 × 1.5	135.3 ±6.8	13.8 ±0.69	99.8 ±5.0	157.9 ±7.8	16.1 ±0.80	116.5 ±5.8
	M16 × 1.5	220.6 ±11.0	22.5 ±1.12	162.7 ±8.1	256.0 ±12.7	26.1 ±1.30	188.8 ±9.4
	M20 × 1.5	452.1 ±22.6	46.1 ±2.30	333.4 ±16.6	524.7 ±26.1	53.5 ±2.66	387.0 ±19.2

1. General Tightening Points (Non-lubricated)
 - All securing points other than the special tightening points.
2. Special Tightening Points (Grease with molybdenum disulfide applied.)
 - Points where particularly necessary due to function.
 - a. Other parts where it is deemed particularly necessary due to the design.
3. Points where thread lock is used (Three Bond #1324 is applied.)
 - a. Engine foot connections.
 - b. Pump coupling connections.
 - c. Travel motor connections.
 - d. Joints of the drive sprocket.
 - e. Tank roller connections.
 - f. Other parts where it is deemed particularly necessary due to the design.
4. If tightening torque values are provided in this manual, then tightening should be done according to those values.
(This indicates that the tightening torque differs from the values given in this table.)
5. In order to tighten bolts and nuts evenly, they should be tightened alternately top, bottom, left, right.



II . SPECIFICATIONS

FOREWORD

This section, SPECIFICATIONS, includes brief specifications and maintenance standards for this machine, and is organized around the data required for service operations. Please use this manual in checks of the machine before servicing, checks after servicing and when replacing parts.

We want, through future revisions of this manual, to improve it and make it as complete as we possibly can. We welcome any opinions or suggestions, which you may have that would help us. Please address all comments to the person in charge.

In regard to Standard Values and Allowable Values

The terms used in the items "Servicing Standards" and "Standards for Judging Performance" have the following meanings.

Standard Value This indicates the standard value for the new machine at the time of shipping from the factory. It should be used as the target value for maintenance work after operation.

Allowable Value The dimensions of parts change during use because of wear and deformation. Also, the performance of pumps, motors, and other hydraulic equipment drops, and this is the estimated value indicating the use limit for the respective part. It is decided under reference to the standard at the time of shipping, the results of various tests, etc. As the use conditions, the degree of repairs, etc. differ for each machine, these should be combined and used as reference for servicing standards and standards for judging performance.

*Do not use the standard values and the allowable values as standards for customer claims.

CONTENTS

Names of Components 3

Specification Diagrams 4

Specification Tables 5

Weight Tables 9

Fluid Capacities 10

Recommended Lubricants 11

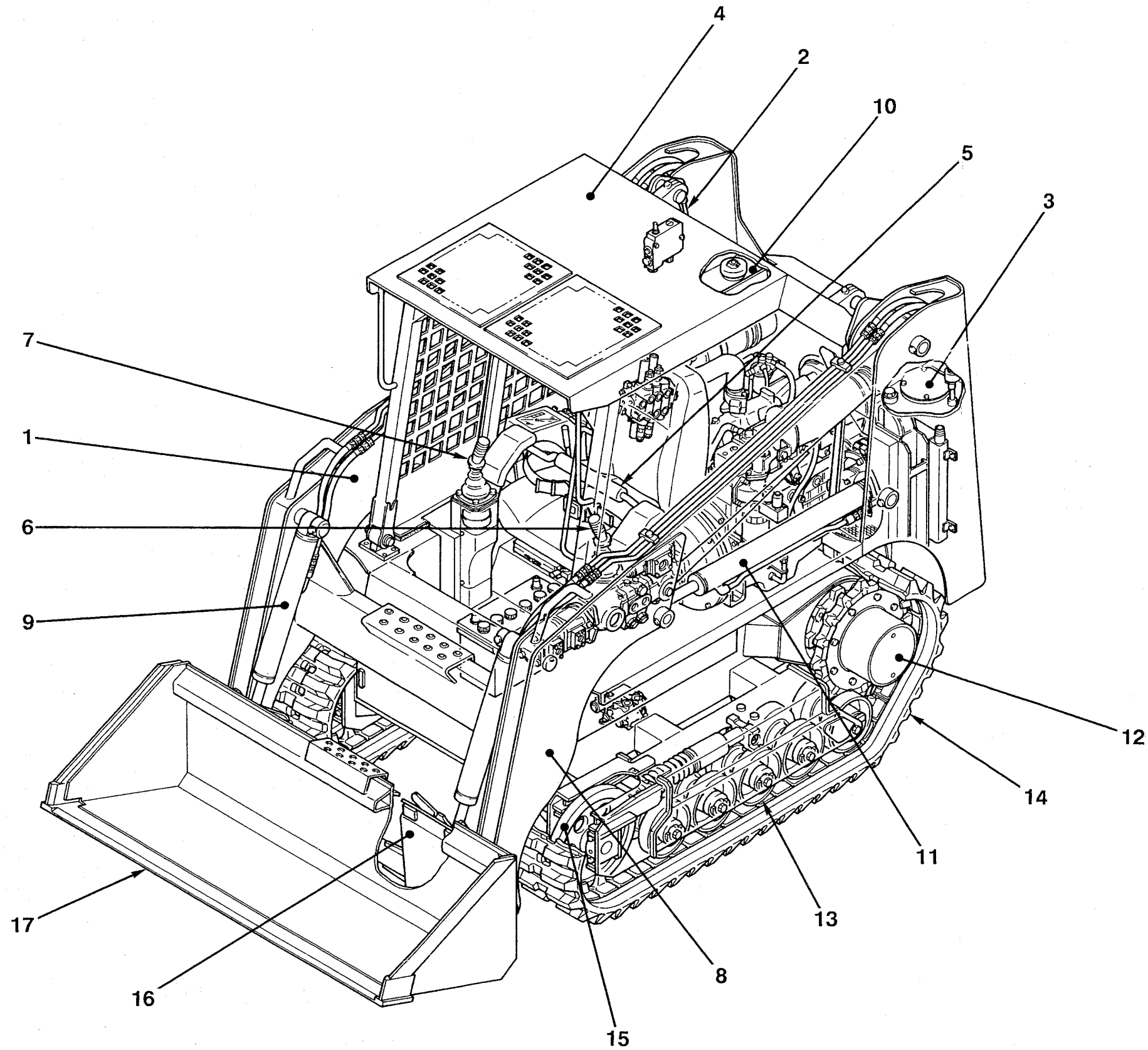
Servicing Standards 12

Standards for Judging Performance 18

 Reference Value Table 18

 Methods for Inspecting Performance 19

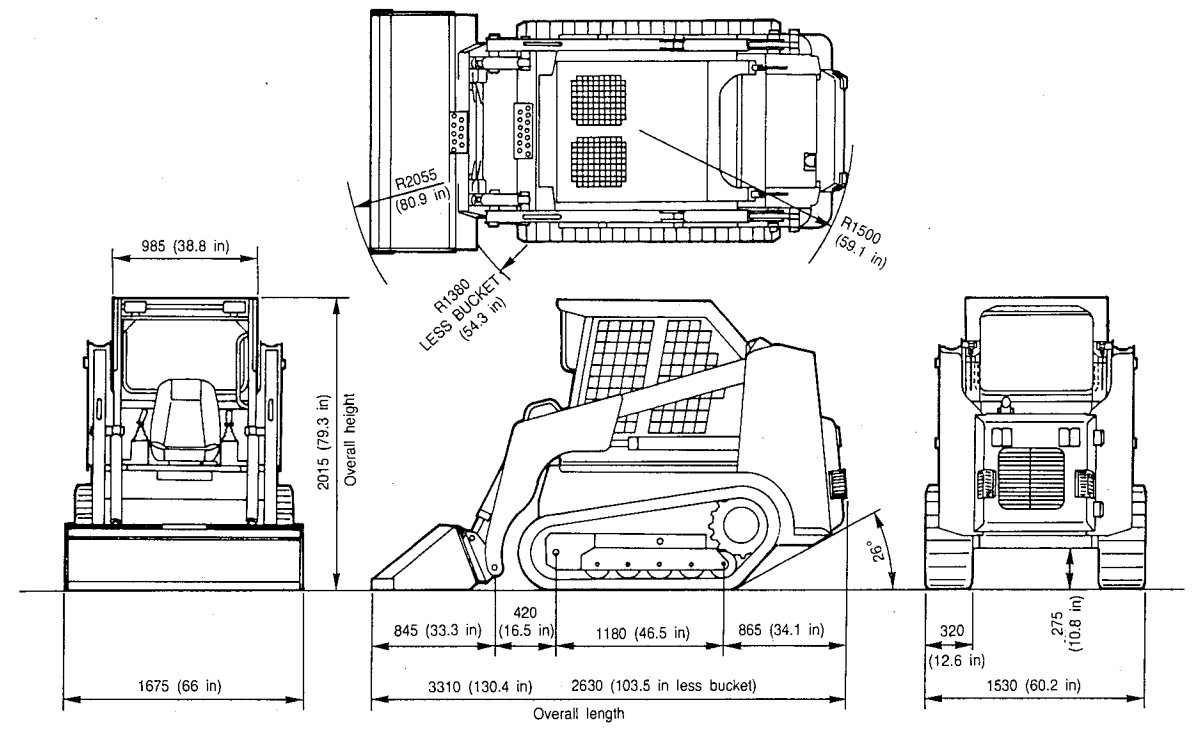
NAMES OF COMPONENTS



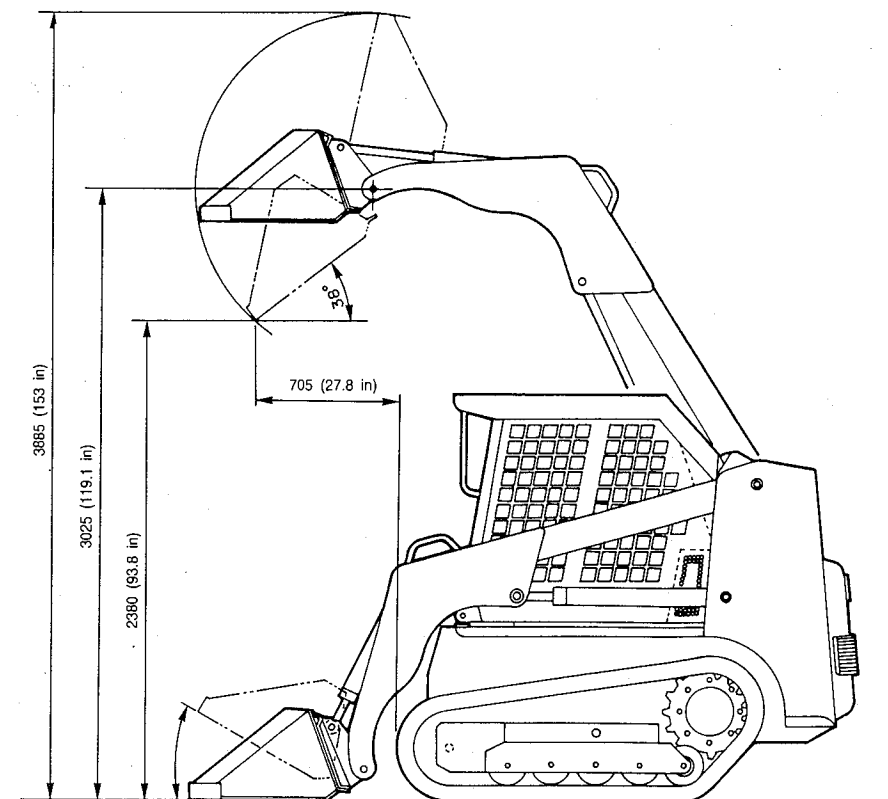
- 1. Lift Arm (R.H.)
- 2. Tilt Lock Levers
- 3. Hydraulic Tank
- 4. Canopy
- 5. Safety Bar
- 6. Left Control Lever
- 7. Right Control Lever
- 8. Lift Arm (L.H.)
- 9. Bucket Cylinder
- 10. Fuel Tank
- 11. Arm cylinder
- 12. Travel Motor
- 13. Track Roller
- 14. Crawler Belt
- 15. Idler
- 16. Quick Attachment
- 17. Bucket

T5-B200

SPECIFICATION DIAGRAMS



T5-000A



T5-010A

SPECIFICATION TABLES

SPECIFICATIONS

Serial Number		2620002 ~
Type		Canopy
Standard Bucket Capacity (SAE Rated)	(m ³)	0.365
Weight in Transport Condition	(kg)	3010
Dimensions		
Overall Length: with bucket / without bucket	(mm)	3310/2630
Overall Width: with bucket / without bucket	(mm)	1675/1530
Overall Height	(mm)	2015
Minimum Ground Clearance	(mm)	275
Front Clearance Radius: with bucket / without bucket	(mm)	2055/1380
Rear Clearance Radius	(mm)	1500
Overall Width of Crawler	(mm)	1530
Overall Length of Crawler	(mm)	1830
Bucket Width	(mm)	1675
Angle of Departure	(degree)	26
Working Range		
Maximum Lift Height to Bucket Pin	(mm)	3025
Maximum Dumping Height	(mm)	2380
Maximum Dump Angle Fully Raised	(degree)	38
Maximum Bucket Rollback at Ground Level	(degree)	30
Reach Fully Raised	(mm)	705
Performance		
Bucket Forec	(kg)	2236
Travel Speed	(km/h)	0 ~ 8.5
Gradeability	(degree)	30
Ground Pressure	(kgf/cm ²)	0.409
Tipping Load (SAE J732)	(kg)	1700
Operating Capacity (* SAE J818)	(kg)	595
Cycle Time		
Raise-Full Load (Lift Arm)	(Sec.)	4.2
Lower-No Load (Lift Arm)	(Sec.)	2.5
Dump-Full Load (Bucket)	(Sec.)	2.7
Curl-Full Load (Bucket)	(Sec.)	2.1

* Operating capacity to equal no more than 35% of tipping load.



Suggest:

For more complete manuals. Please go to the home page.

<https://www.ebooklibonline.com>

If the above button click is invalid. Please download this document first, and then click the above link to download the complete manual.

Thank you so much for reading

SPECIFICATIONS OF DEVICE

Serial Number	2620002 ~
Engine	
Model	Isuzu 4JB1PA-20
Type	4-Cyle Water Cooled Diesel
Number of Cylinders-Bore × Stroke	4-93 × 102
Total Displacement	2771
Compression Ratio	18.2
Dry Weight (kg)	222
Performance	
Rated Outpt	61.5/2600
Maximum Torqu	17.5/1800
Maximum No-load R.P.M.	2860 or less
Minimum No-load R.P.M.	900±50
Specific Fuel Consumption	175 or less
Starter	12-2.2
Generator	12-35
Battery	12-80 (5HR)
HST Pump	
Model	SP3434-515
Type	Variable Delivery, 2-Piston
Displacement (cc/rev)	33.5 + 33.5
Delivery (l /min)	87.1 + 87.1
Rated Pressure (kgf/cm ²)	210
Relief Valve Set Pressure (kgf/cm ²)	280
Charge Relief Valve Set Pressure (kgf/cm ²)	12.5
Necessary Pilot Pressure	
In Neutral (kgf/cm ²)	5.0 or less
At Full Strok (kgf/cm ²)	20 or more
Maximum Working Pressure (kgf/cm ²)	30
Weight (kg)	54.0
Gear Pump	
Model	PBB74RK455
Type	Gear
Displacement (cc/rev)	25.4 + 16.0
Delivery (l /min)	66.0 + 41.6
Rated Pressure (kgf/cm ²)	160
Weight (kg)	9.2

Serial Number		2620002 ~
Control Valve		
Model		KVS-65-3
Number of Circuits		3
Main Relief Valve Set Pressure	(kgf/cm ² @l/min)	160 @60
Port Relief Valve Set Pressure	(kgf/cm ² @l/min)	195 @60
Weight	(kg)	10
Control Valve (Sub)		
Model		65300-05900
Flow During Use	(l/min)	30(P), 5(A)
Reducing Valve Settings	(kgf/cm ²)	30
Weight	(kg)	6.8
Pilot Valve		
Model: R.H. / L.H.		TH40K-1105 / TH40K-1163A
Secondary Side Pressure	(kgf/cm ²)	0 ~ 30
Operating Angle: Single (Ports 1, 3)	(deg)	19
: Single (Ports 2, 4)	(deg)	19
: Simultaneous	(deg)	25
Weight	(kg)	4.8
Self-Level Valve		
Model		39055-DAS
Flow coefficient		QD/QA = 0.73
Rated Flow	(l/min)	57
Rated Pressure	(kgf/cm ²)	210
Maximum Working Pressure	(kgf/cm ²)	280
Weight	(kg)	4.5
Cylinder		
Arm		
Bore Diameter×Rod Diameter	(mm)	65×40
Stroke	(mm)	660
Fully Retracted Length (Pitch)	(mm)	1060
Cushion Mechanism		Rod Side
Weight	(kg)	28
Bucket		
Bore Diameter×Rod Diameter	(mm)	65×35
Stroke	(mm)	475
Fully Retracted Length (Pitch)	(mm)	730
Cushion Mechanism		---
Weight	(kg)	23

<https://www.ebooklibonline.com>

Hello dear friend!

Thank you very much for reading.

Enter the link into your browser.

The full manual is available for immediate download.

<https://www.ebooklibonline.com>