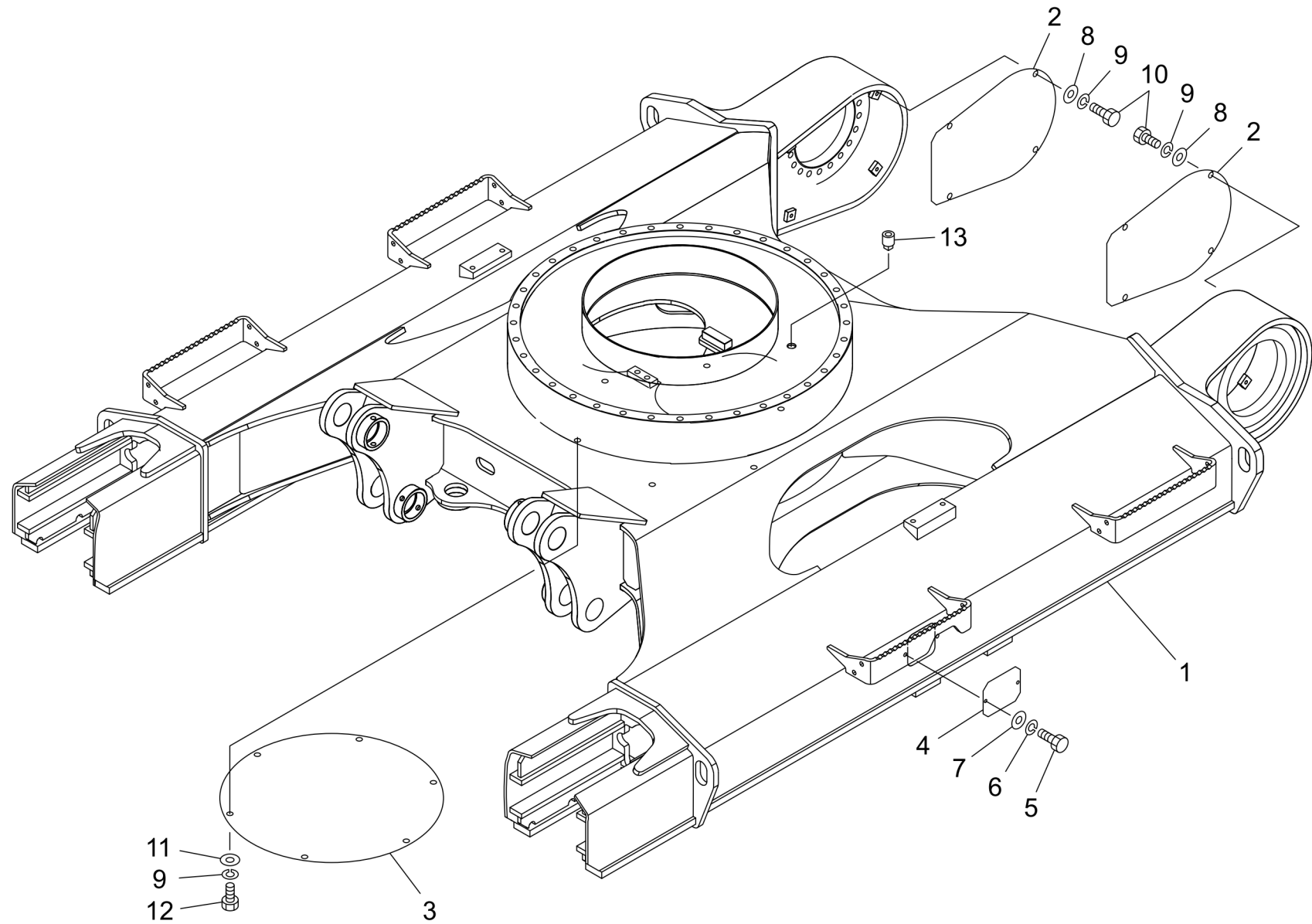


**TB2150 [P-T2150_F-XA]
Book No. BN4Z000-0-0
S/N 514600003-**

Published:07/01/2016

LOWER FRAME



N4A010

S=1/20

LOWER FRAME

Item	Part Number	Lev.	Description	Q'ty	Chan.	Serial No.	Mod.	Remarks
			FRAME ASSY, lower					
1	*****-*****		FRAME, lower	1				
2	05710-01010		COVER	2				
3	05710-00110		COVER	1				
4	05610-17400		COVER	2				
5	11000-40816		BOLT	4				
6	11400-20008		WASHER, spring	4				
7	11411-10008		WASHER	4				
8	11411-10012		WASHER	8				
9	11400-20012		WASHER, spring	14				
10	11000-41225		BOLT	8				
11	00036-00024		WASHER	6				
12	11000-41235		BOLT	6				
13	15087-10010		PLUG	1				

<https://www.ebooklibonline.com>

Hello dear friend!

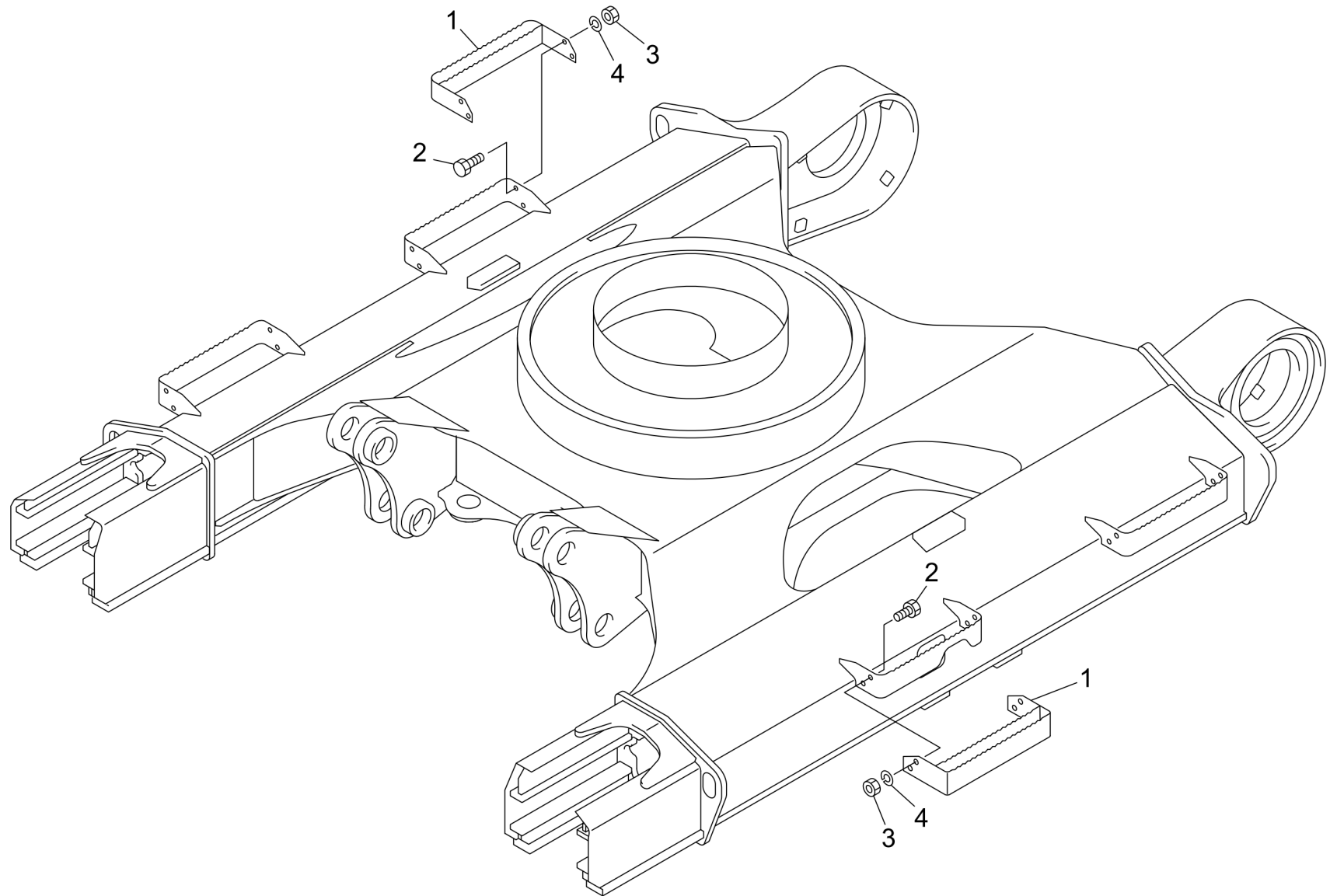
Thank you very much for reading.

Enter the link into your browser.

The full manual is available for immediate download.

<https://www.ebooklibonline.com>

STEP



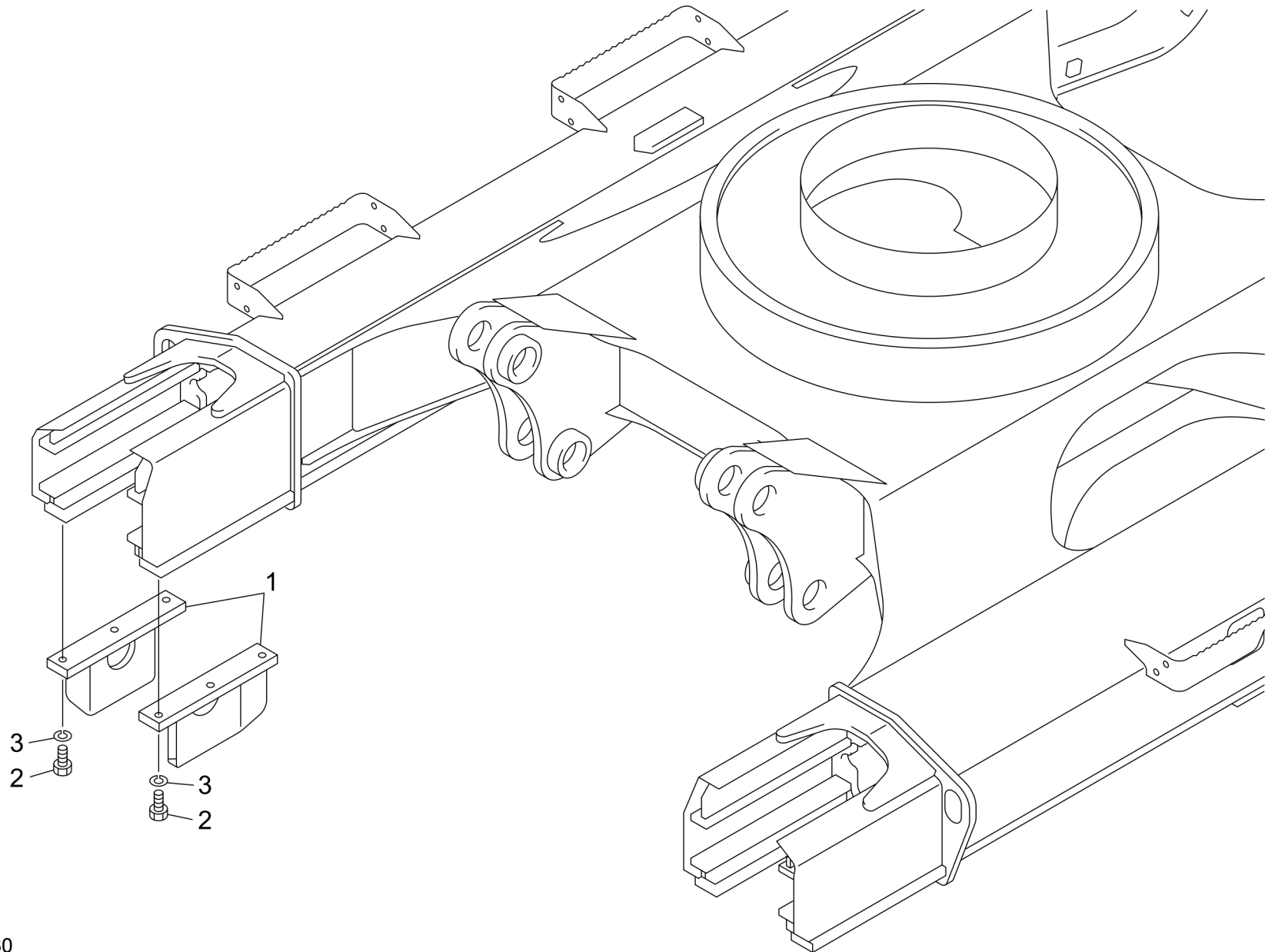
N4A080

S=1/20

STEP

Item	Part Number	Lev.	Description	Q'ty	Chan.	Serial No.	Mod.	Remarks
			STEP ASSY					
1	05710-08910		STEP	4				700mm shoe
2	11000-41235		BOLT	16				
3	11300-40012		NUT	16				
4	11400-20012		WASHER, spring	16				

SHOE GUIDE (for steel crawler, segment rubber crawler)



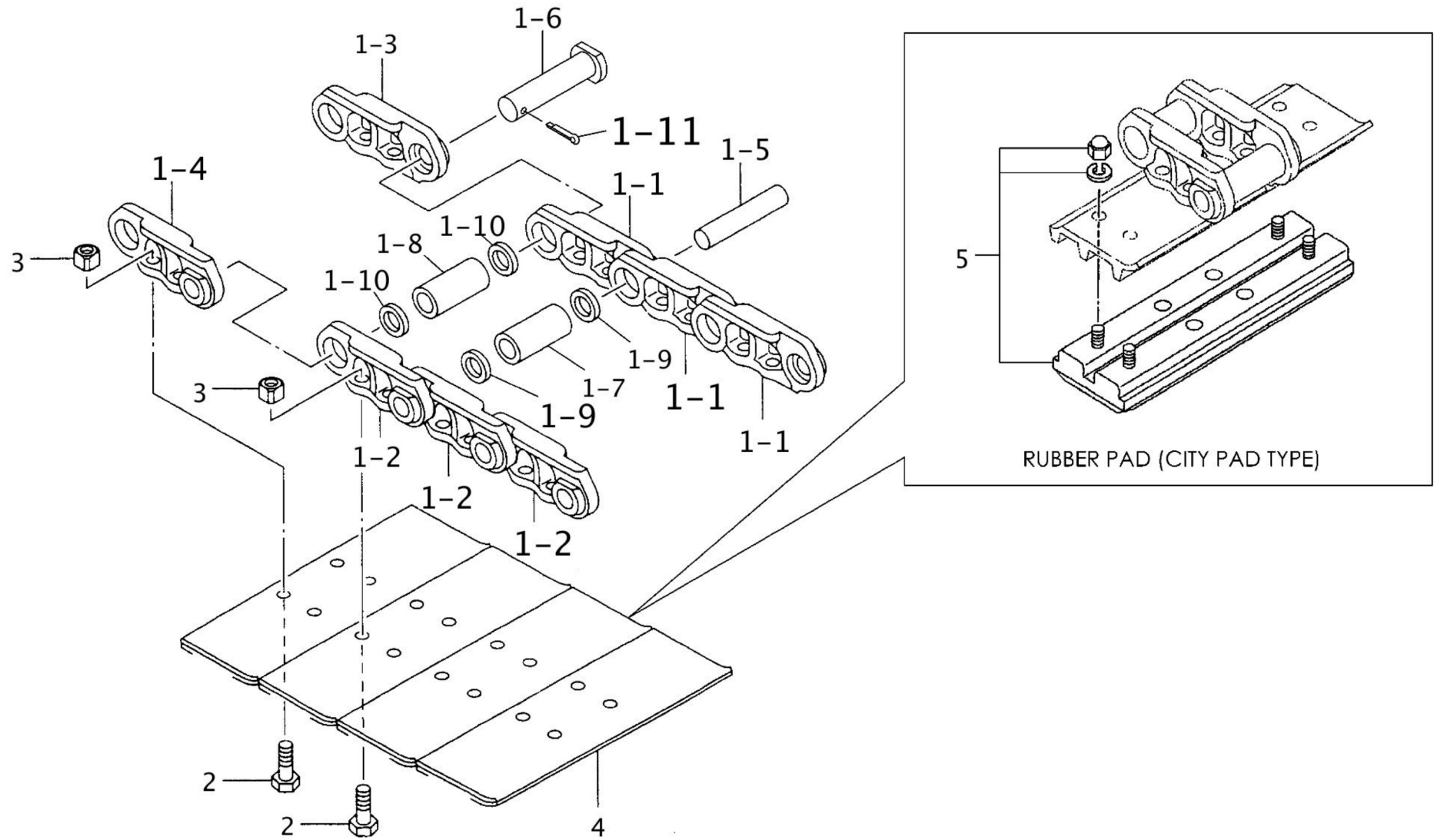
N3A030

S=1/15

SHOE GUIDE (for steel crawler, segment rubber crawler)

Item	Part Number	Lev.	Description	Q'ty	Chan.	Serial No.	Mod.	Remarks
			GUIDE ASSY, crawler					
1	05717-01020		GUIDE	4				
2	11010-41640		BOLT	12				
3	11400-20016		WASHER, spring	12				

CRAWLER BELT (steel)



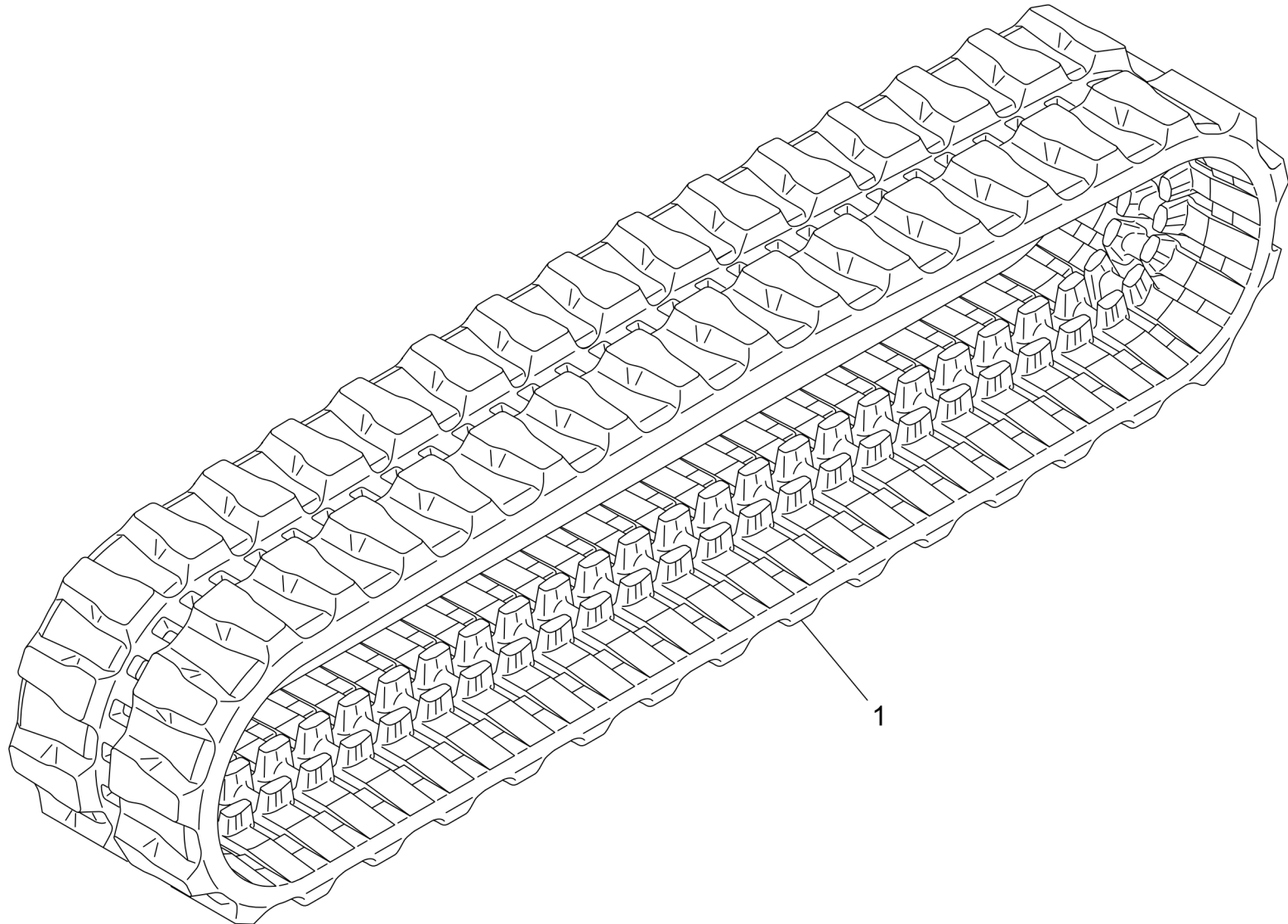
N3A041

S=free

CRAWLER BELT (steel)

Item	Part Number	Lev.	Description	Q'ty	Chan.	Serial No.	Mod.	Remarks
			BELT ASSY, steel crawler (500mm shoe)					
			BELT ASSY, steel crawler (600mm shoe)					
			BELT ASSY, steel crawler (700mm shoe)					
0-1	19143-03600		BELT ASSY, steel crawler (500mm shoe)	2				
	19143-03700		BELT ASSY, steel crawler (600mm shoe)	2				
	19143-03800		BELT ASSY, steel crawler (700mm shoe)	2				
1	19143-03610	.	LINK ASSY	1				
1-1	19143-03611	..	LINK, track (R.H.)	43				
1-2	19143-03612	..	LINK, track (L.H.)	43				
1-3	19143-03613	..	LINK, master (R.H.)	1				
1-4	19143-03614	..	LINK, master (L.H.)	1				
1-5	19143-03005	..	PIN, track	43				
1-6	19143-03006	..	PIN, track master	1				
1-7	19143-03007	..	BUSH, track	43				
1-8	19143-03008	..	BUSH, track master	1				
1-9	19143-03009	..	SEAL, dust	86				
1-10	19143-03010	..	SPACER	2				
1-11	19143-03011	..	PIN, cotter	1				
2	19143-03012	.	BOLT	176				
3	19143-03013	.	NUT	176				
4	19143-03601	.	PLATE	44				500mm shoe
	19143-03114	.	PLATE	44				600mm shoe
	19143-03214	.	PLATE	44				700mm shoe
5	19144-00910		SHOE ASSY, rubber pad (500W)	88				
	19144-01210		SHOE ASSY, rubber pad (600W)	88				

CRAWLER BELT (rubber)



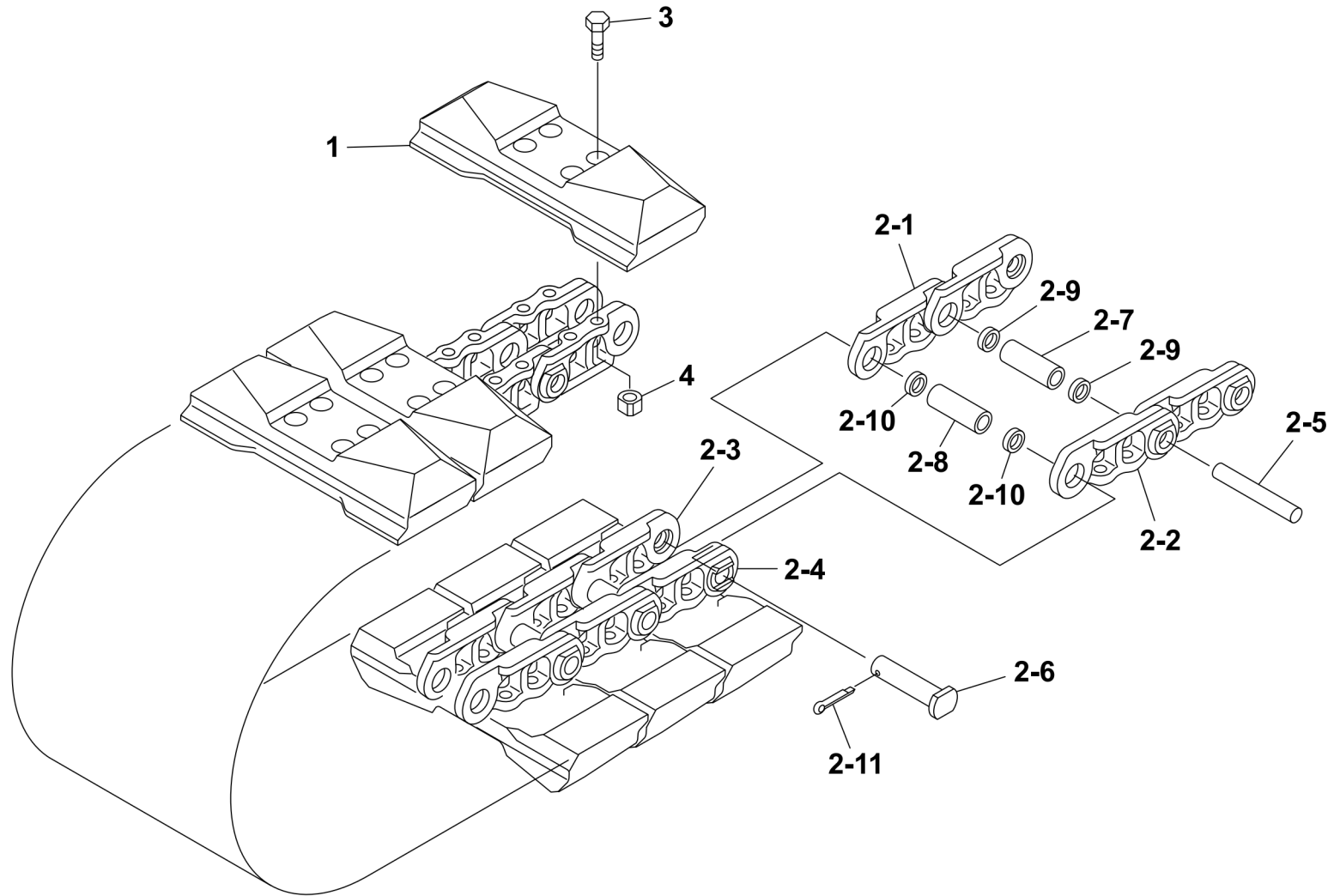
N3A050

S=free

CRAWLER BELT (rubber)

Item	Part Number	Lev.	Description	Q'ty	Chan.	Serial No.	Mod.	Remarks
			BELT ASSY, rubber crawler					
1	19143-01520		BELT, rubber crawler	2				

CRAWLER BELT (segment rubber)



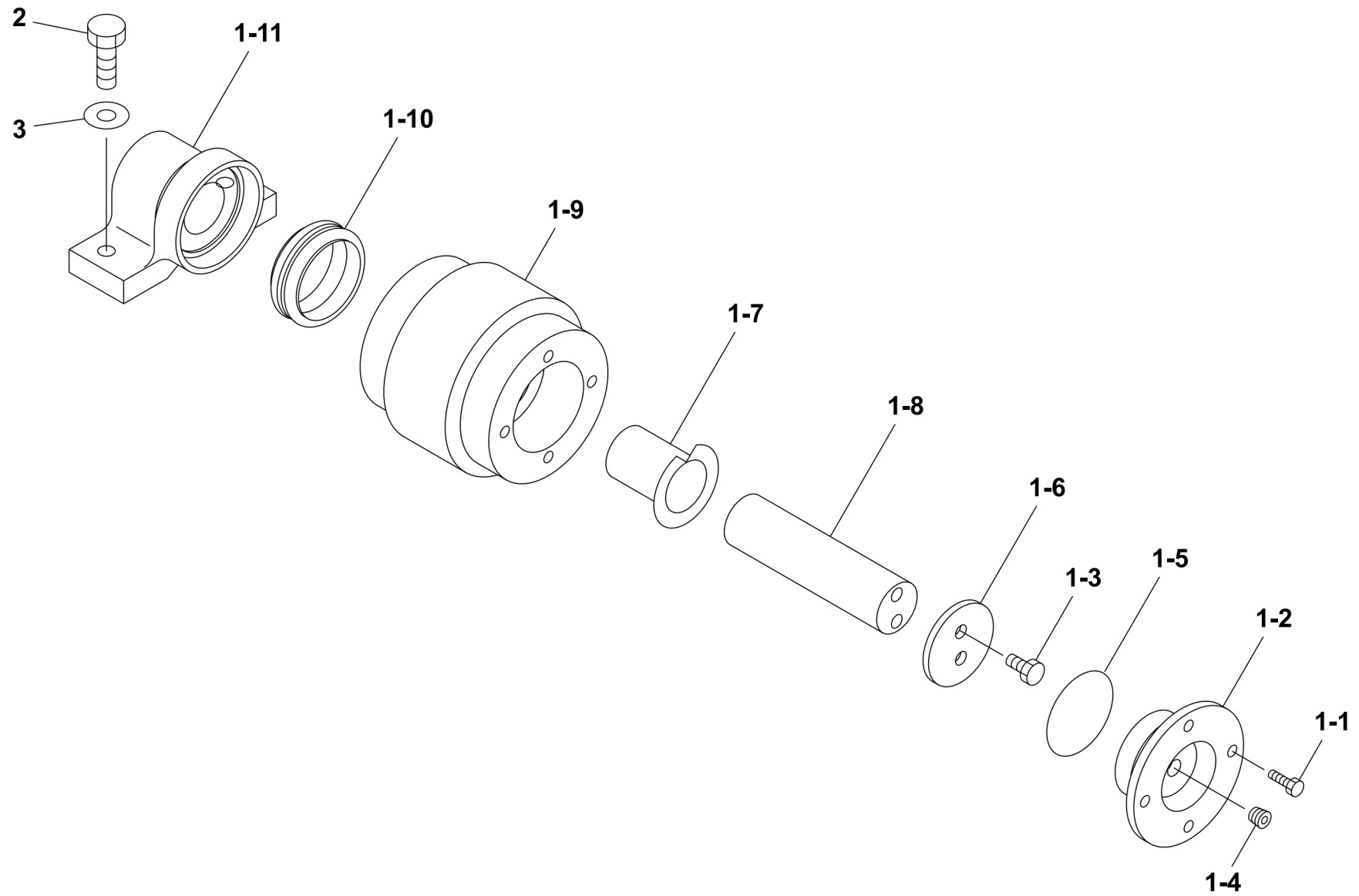
N1A021

S=1/12

CRAWLER BELT (segment rubber)

Item	Part Number	Lev.	Description	Q'ty	Chan.	Serial No.	Mod.	Remarks
			BELT ASSY, segment rubber crawler					
0-1	05711-00002		BELT ASSY, segment rubber crawler	2				
1	19144-01000	.	PAD, rubber	44				
2	19143-03610	.	LINK ASSY	1				
2-1	19143-03611	..	LINK, track (R.H.)	43				
2-2	19143-03612	..	LINK, track (L.H.)	43				
2-3	19143-03613	..	LINK, master (R.H.)	1				
2-4	19143-03614	..	LINK, master (L.H.)	1				
2-5	19143-03005	..	PIN, track	43				
2-6	19143-03006	..	PIN, track master	1				
2-7	19143-03007	..	BUSH, track	43				
2-8	19143-03008	..	BUSH, track master	1				
2-9	19143-03009	..	SEAL, dust	86				
2-10	19143-03010	..	SPACER	2				
2-11	19143-03011	..	PIN, cotter	1				
3	19143-03012	.	BOLT	176				
4	19143-03013	.	NUT	176				

CARRIER ROLLER



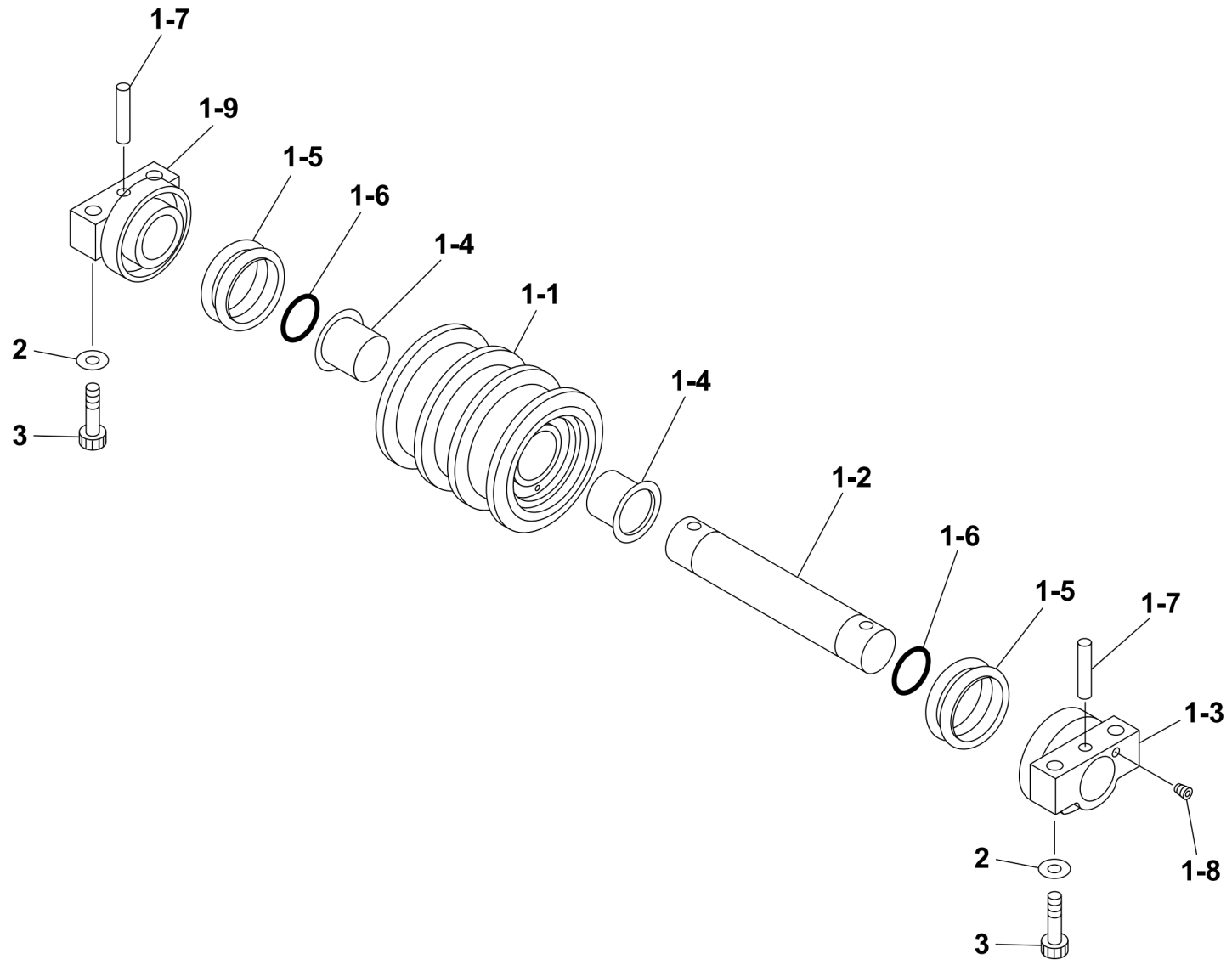
N1A030

S=1/5

CARRIER ROLLER

Item	Part Number	Lev.	Description	Q'ty	Chan.	Serial No.	Mod.	Remarks
			ROLLER ASSY, carrier					
1	05712-00100		ROLLER ASSY	2				
1-1	11000-40820	.	BOLT	4				
1-2	05712-00102	.	COVER	1				
1-3	11000-41016	.	BOLT	2				
1-4	15018-10002	.	PLUG	1				
1-5	14201-00650	.	O-RING	1				
1-6	05712-00106	.	PLATE	1				
1-7	05712-00107	.	BUSHING	1				
1-8	05712-00108	.	SHAFT	1				
1-9	05712-00109	.	ROLLER	1				
1-10	05712-00110	.	SEAL, floating	1				
1-11	05712-00111	.	BRACKET	1				
2	11010-41645		BOLT	4				
3	11415-50016		WASHER	4				

TRACK ROLLER



N1A041

S=1/8



Suggest:

For more complete manuals. Please go to the home page.

<https://www.ebooklibonline.com>

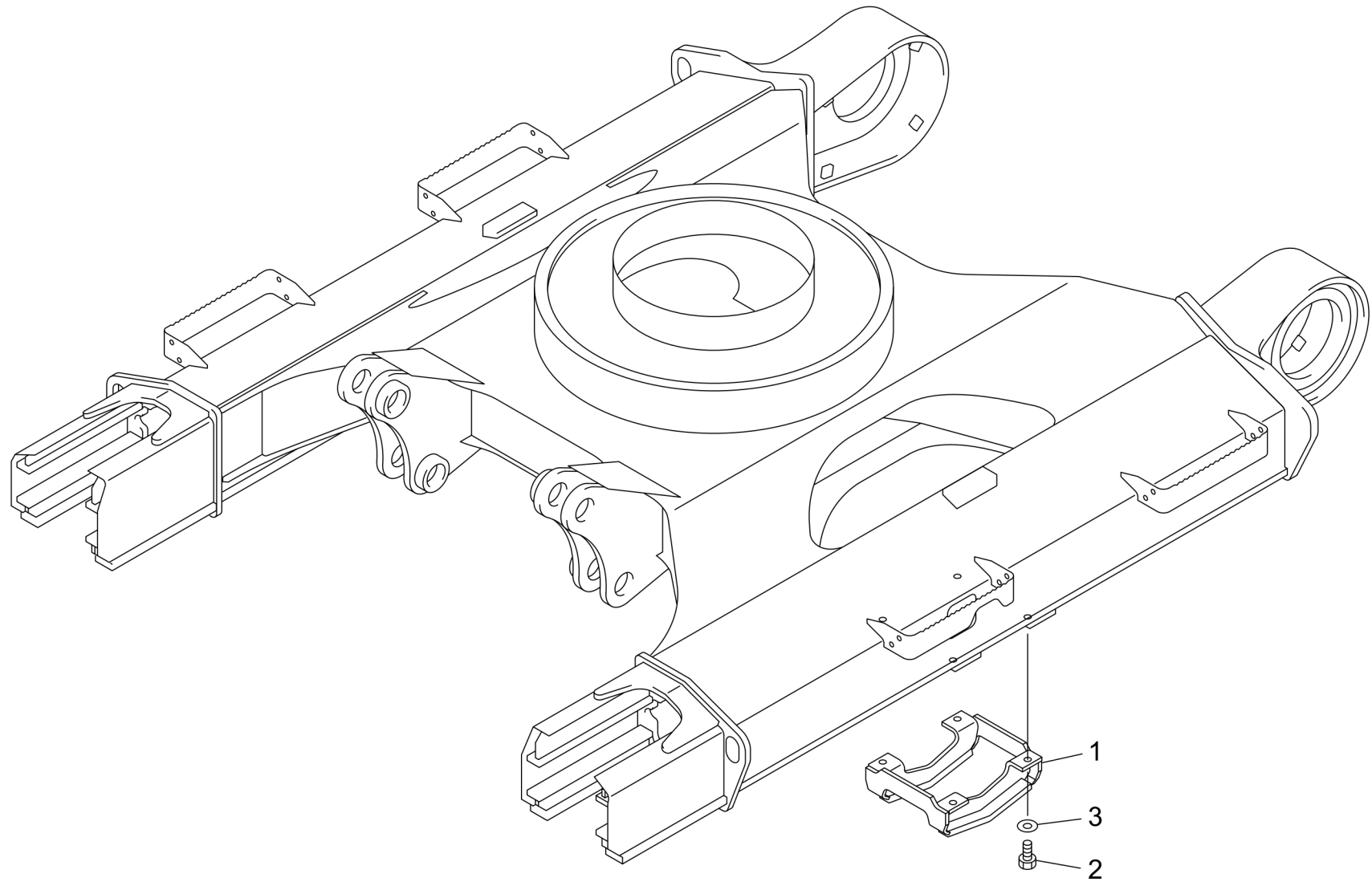
If the above button click is invalid. Please download this document first, and then click the above link to download the complete manual.

Thank you so much for reading

TRACK ROLLER

Item	Part Number	Lev.	Description	Q'ty	Chan.	Serial No.	Mod.	Remarks
			ROLLER ASSY, track					
1	05713-00100		ROLLER ASSY	14				
1-1	05713-00110	.	ROLLER	1				
1-2	05713-00120	.	SHAFT	1				
1-3	05713-00130	.	COLLAR	1				
1-4	05713-00140	.	BUSHING	2				
1-5	14325-00730	.	SEAL, floating	2				
1-6	14201-10450	.	O-RING	2				
1-7	05713-00170	.	PIN	2				
1-8	15018-10001	.	PLUG	1				
1-9	05713-00190	.	COLLAR	1				
2	11415-50016		WASHER	56				
3	11110-21670		BOLT	56				

TRACK GUARD (for steel crawler, OPT)



N3A080

S=1/20

<https://www.ebooklibonline.com>

Hello dear friend!

Thank you very much for reading.

Enter the link into your browser.

The full manual is available for immediate download.

<https://www.ebooklibonline.com>