

Engine

X70 Series Tier 4 (2012-2013) - RPE1 - X70.80

RPE1\00042127.png

A-05
01



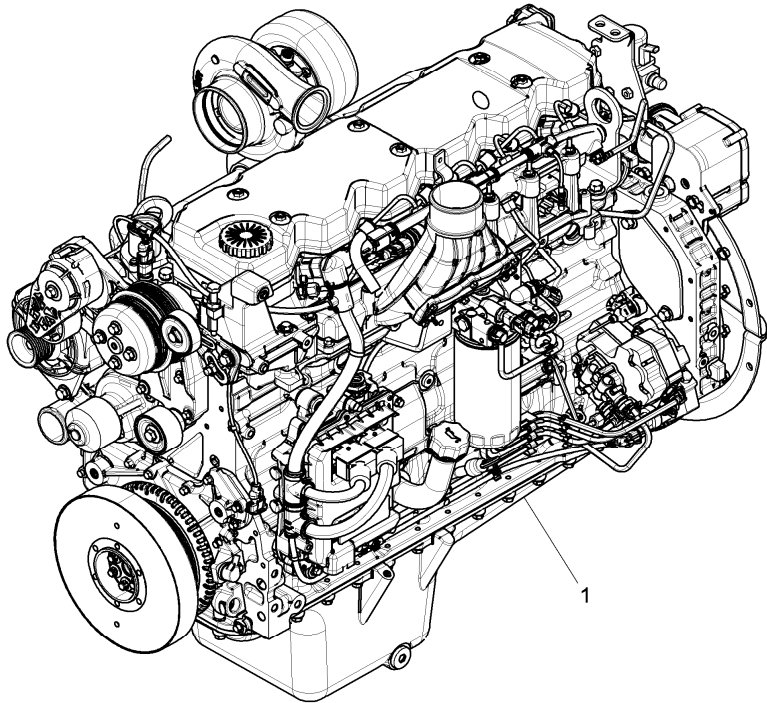
A0501

Engine assembly

1 4220771M91

"fpt nef" 162 kw

Inglese
1 Engine



Engine

X70 Series Tier 4 (2012-2013) - RPE1 - X70.80

RPE1\00041500.png

A-05
015



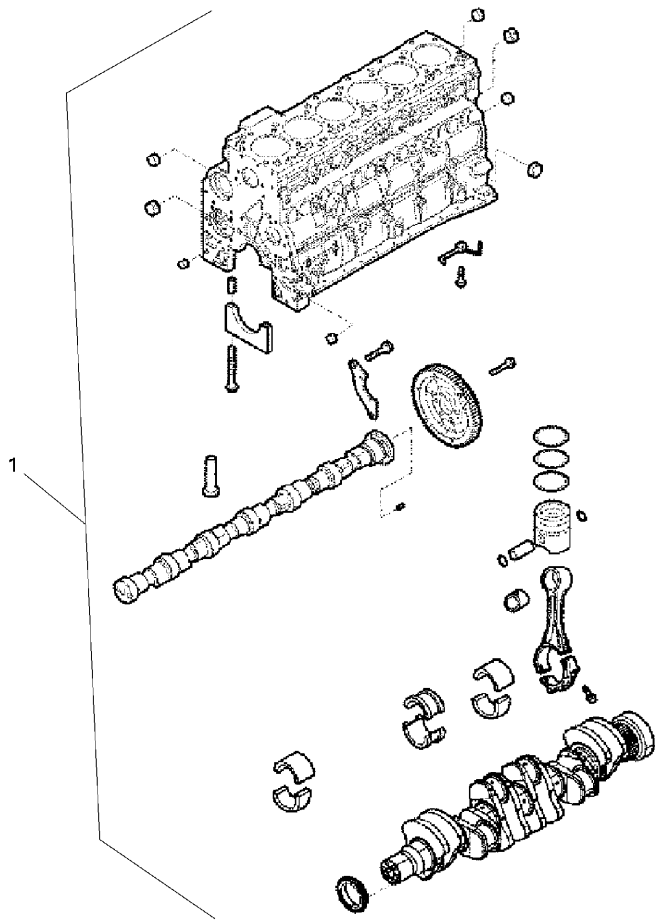
A05015

Short engine

1 6513390M91

Inglese

1 Short engine



Engine

X70 Series Tier 4 (2012-2013) - RPE1 - X70.80

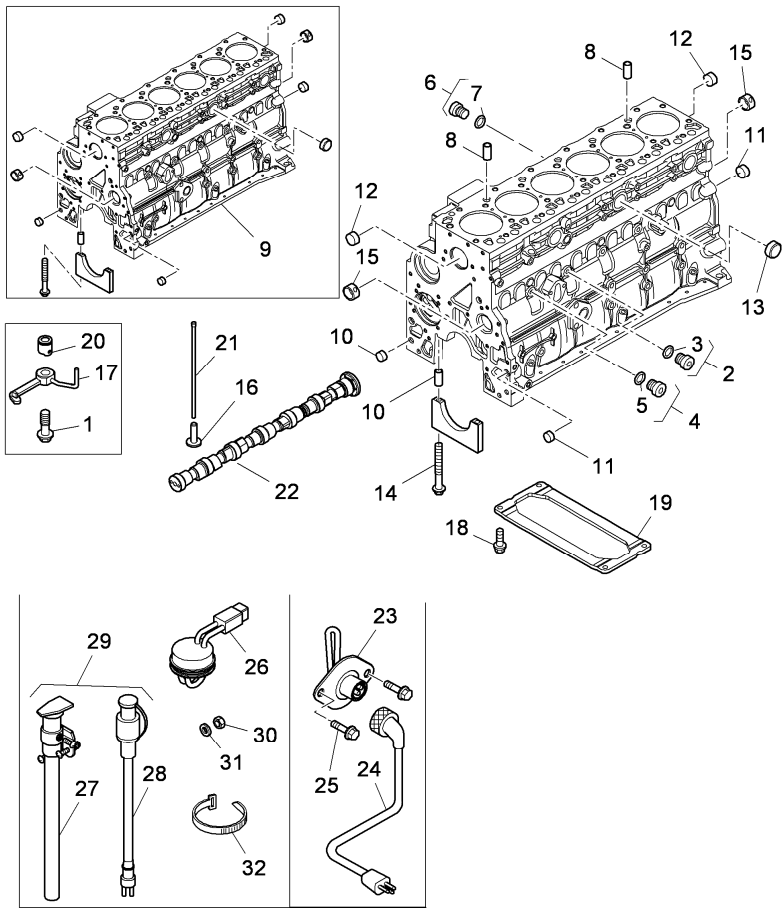
RPE1\00006683.png

A-05
02



A0502

Crankcase



Inglese

1	3688692M1		6	Filler
2	3689350M1	●	2	Plug
3	3688868M1	!	2	O ring
4	3688822M1	●	2	Plug
5	3688855M1	!	4	O ring
6	3688780M1	●	3	Plug
7	3688781M1	!	6	O ring
		●	1	707405A1(1)
8	3688760M1		2	Dowel pin
9	704604A1		1	Crankcase
10	3688824M1	!	9	14 Dowel pin
		●	14	704983A1(14)
11	3688758M1	!	9	3 Plug
				17,73x6,35x1,07
12	3688757M1	!	9	6 Plug
				58,06x8,25x1,52
13	3688775M1	!	9	3 Plug
				35,23x7,94x1,52
14	3688673M1	!	9	14 Screw
		◄		M12x120 mm
		●		704696A1(14)
15	3688759M1	!	9	1 Bearing
16	3688877M1		12	Platform
17	3689030M1		6	Splasher
18	704985A1	◄	4	Bolt
				M10x25 mm

<https://www.ebooklibonline.com>

Hello dear friend!

Thank you very much for reading.

Enter the link into your browser.

The full manual is available for immediate download.

<https://www.ebooklibonline.com>

Engine

X70 Series Tier 4 (2012-2013) - RPE1 - X70.80

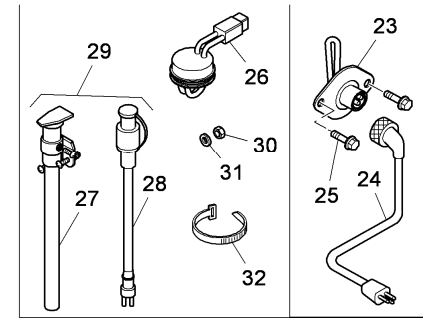
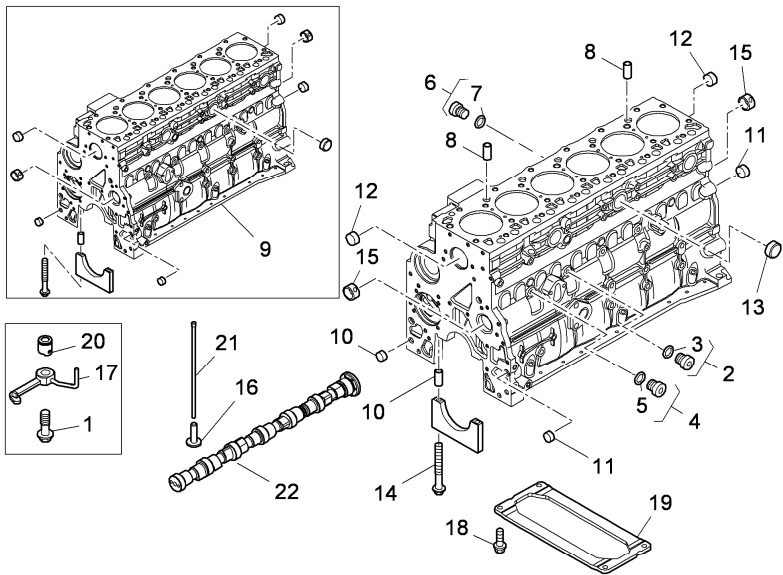
RPE1\00006683.png

A-05
02



A0502

Crankcase



		Inglese
19	705218A1	1 Plate
20	⊕ A-05 11 20	6 Piston
21	⊕ A-05 09 17	12 Rod
22	⊕ A-05 14 5	1 Camshaft
23	706388A1 A	1 Heater
24	J905113 A	1 Cable
25	844-8020 ◀▶ M8x20 mm	2 Bolt
	A	
26	706389A1 B	1 Heater
27	314722A1 ! 29	1 Cable
28	314723A1 ! 29	1 Cable
29	313126A2 ● 314722A1(1), 314723A1(1)	1 Cable
	B	
30	825-1405 ● 390995X1(1)	1 Nut
	B	
31	893-16005 B	2 Washer
32	289862C1 B	3 Clamp
! This is a component of an assembly		
⊕ See page - reference number		
◀▶ Length		
● Replacement		
A For market "n.a.o."		
B Excluded "n.a.o." market		

Engine

X70 Series Tier 4 (2012-2013) - RPE1 - X70.80

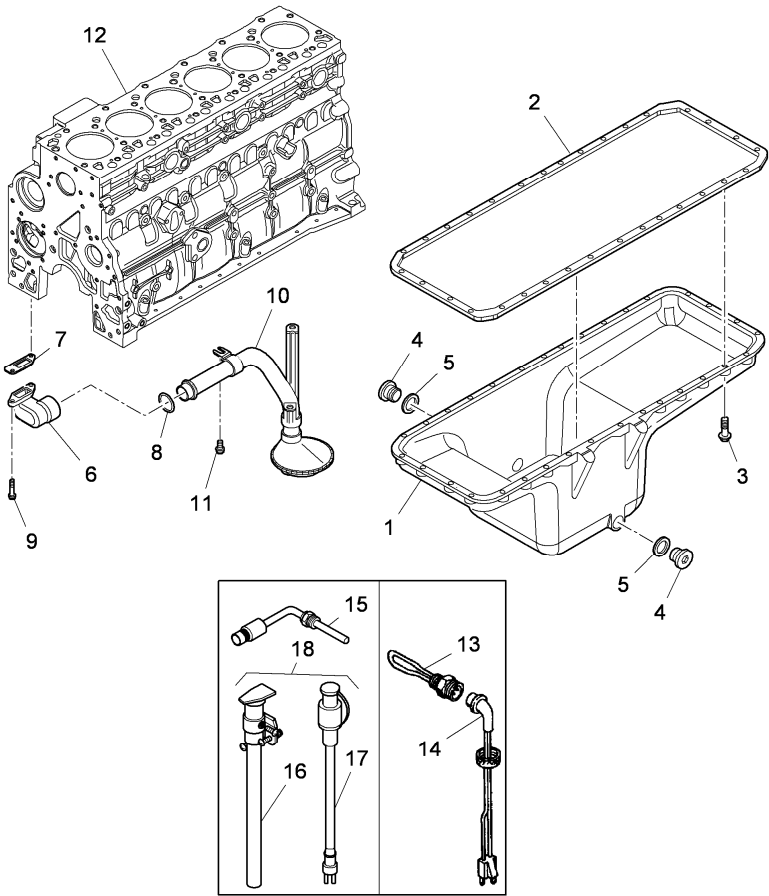
RPE1\00006684.png

A-05
03



A0503

Oil sump



Inglese

- | | | | | |
|----|-----------|-------------------------------|----|---------|
| 1 | 705252A1 | | 1 | Housing |
| 2 | 705082A1 | | 1 | Gasket |
| 3 | 3688942M1 | ◄ M8x30 mm | 32 | Screw |
| | | ● 706309A1(32) | | |
| 4 | 3688691M1 | | 2 | Plug |
| 5 | 3688997M1 | | 2 | O ring |
| 6 | 705185A1 | | 1 | Insert |
| 7 | 704957A1 | | 1 | Gasket |
| 8 | 704589A1 | | 1 | Gasket |
| 9 | 710626A1 | ◄ M8x25 mm | 2 | Screw |
| 10 | 705298A1 | | 1 | Pipe |
| 11 | 704827A1 | ◄ M10x20 mm | 1 | Screw |
| 12 | | ◁ A-05 02 9 | 1 | Housing |
| 13 | J904380 | A | 1 | Heater |
| 14 | J905113 | A | 1 | Cable |
| 15 | 706391A1 | B | 1 | Heater |
| 16 | 314722A1 | ! 18 | 1 | Cable |
| 17 | 314723A1 | ! 18 | 1 | Cable |
| 18 | 313126A2 | ● 314722A1(1),
314723A1(1) | 1 | Cable |

B

- ! This is a component of an assembly
- ◁ See page - reference number
- ◄ Length
- Replacement
- A N.a.o. market

Engine

X70 Series Tier 4 (2012-2013) - RPE1 - X70.80

A-05
03

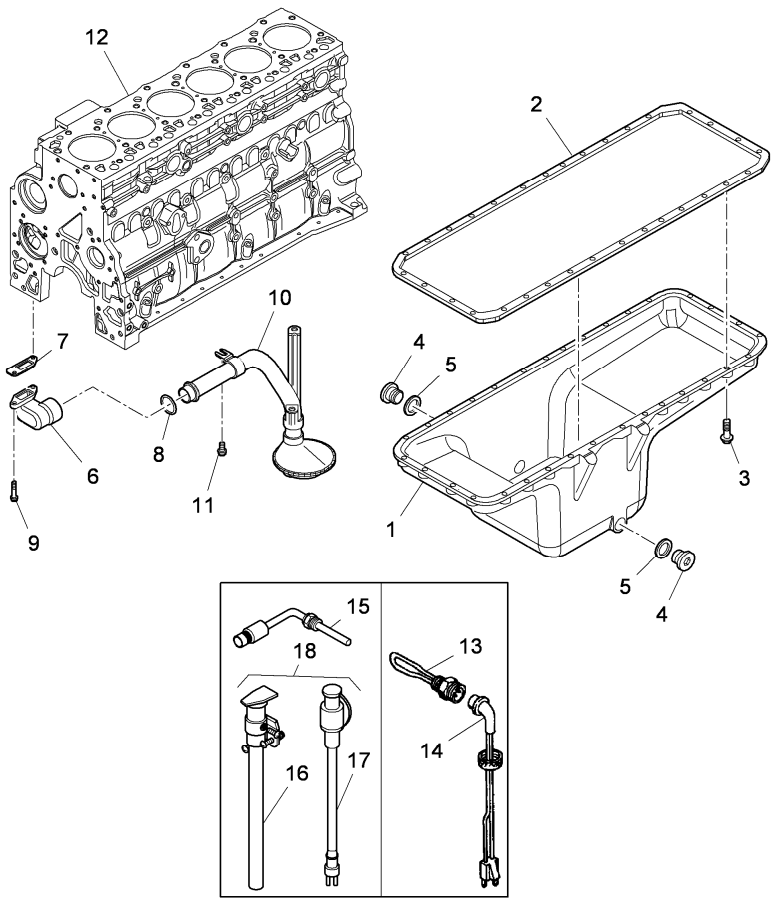


A0503

Oil sump

RPE1\00006684.png

B Excluded "n.a.o." market



Engine

X70 Series Tier 4 (2012-2013) - RPE1 - X70.80

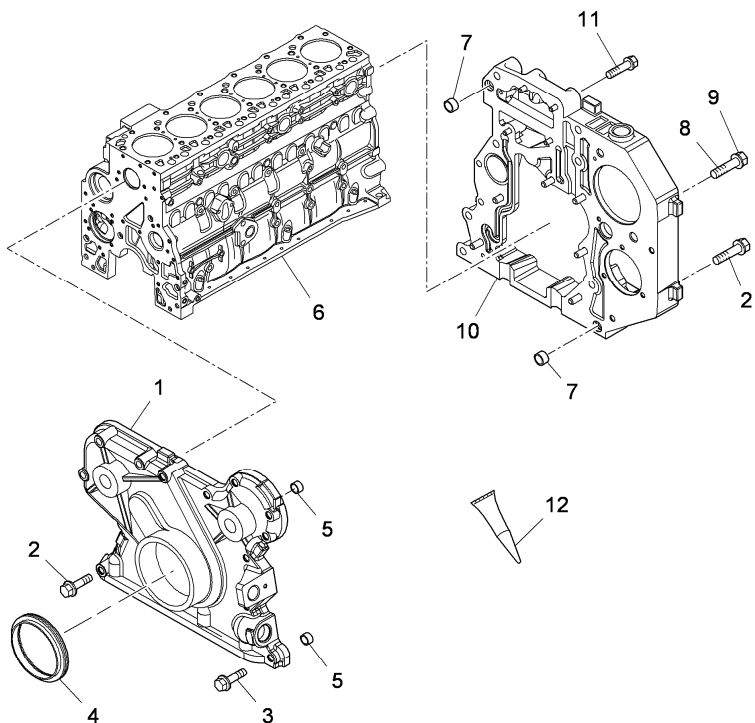
RPE1\00006689.png

**A-05
04**



A0504

Crankcase covers



- | | | Inglese |
|----|-----------|-----------------------------|
| 1 | 704913A1 | 1 Cover |
| 2 | 705003A1 | 9 Screw |
| 3 | 3688853M1 | 8 Screw |
| 4 | 6513391M1 | 1 Ring |
| 5 | 704693A1 | 2 Stud |
| 6 | | 1 Crankcase |
| 7 | 3688824M1 | 2 Dowel pin |
| 8 | 705015A1 | 2 Screw |
| 9 | 704999A1 | 1 Screw |
| 10 | 6513392M1 | 1 Box |
| 11 | 704910A1 | 3 Screw |
| 12 | 3688632M1 | 3688632M2(999) 999 Adhesive |
- ◁ See page - reference number
 ▶ Length
 ● Replacement

Engine

X70 Series Tier 4 (2012-2013) - RPE1 - X70.80

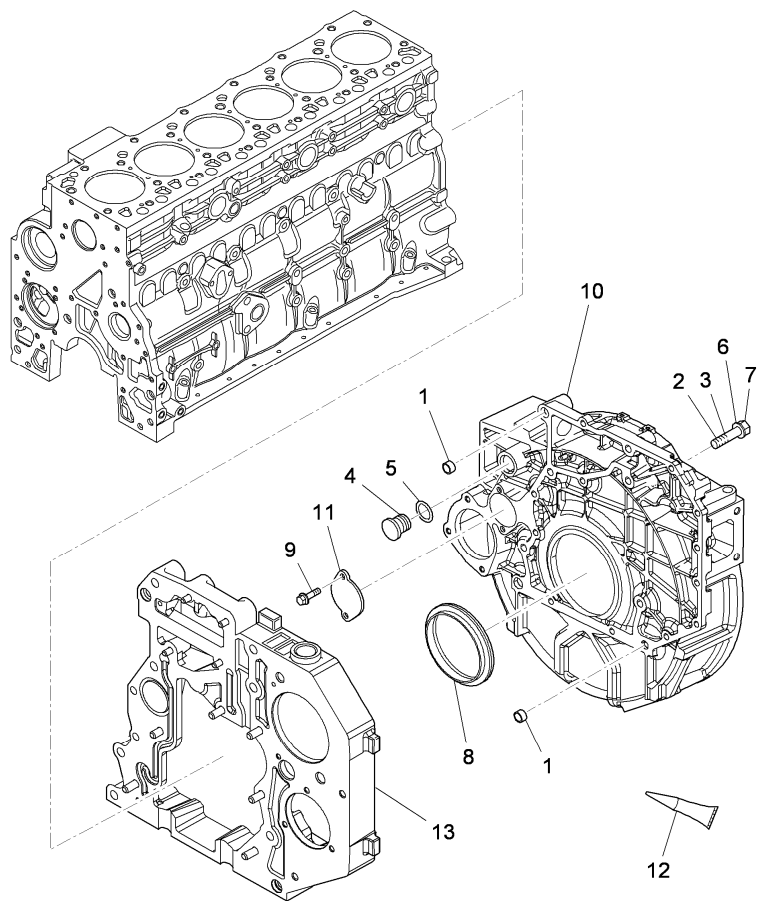
RPE1\00006690.png

A-05
05



A0505

Flywheel housing



		Inglese
1	3688824M1	● 704983A1(2) 2 Dowel pin
2	705020A1	◄ M10x80 mm 2 Screw
3	712165A1	◄ M10x40 mm 10 Screw
4	704847A1	1 Plug
5	714949A1	1 O ring
6	705002A1	◄ M12x80 mm 6 Screw
7	4219091M1	2 Screw
8	6514306M1	155x130x16 1 Ring
9	3688854M1	◄ M8x17 mm 2 Screw
		● 704997A1(2)
10	705098A1	1 Cover
11	704799A1	1 Cover
12	3688632M1	● 3688632M2(999) 999 Adhesive
13		◄ A-05 04 10 1 Box

◄ See page - reference number
 ◄ Length
 ● Replacement

Engine

X70 Series Tier 4 (2012-2013) - RPE1 - X70.80

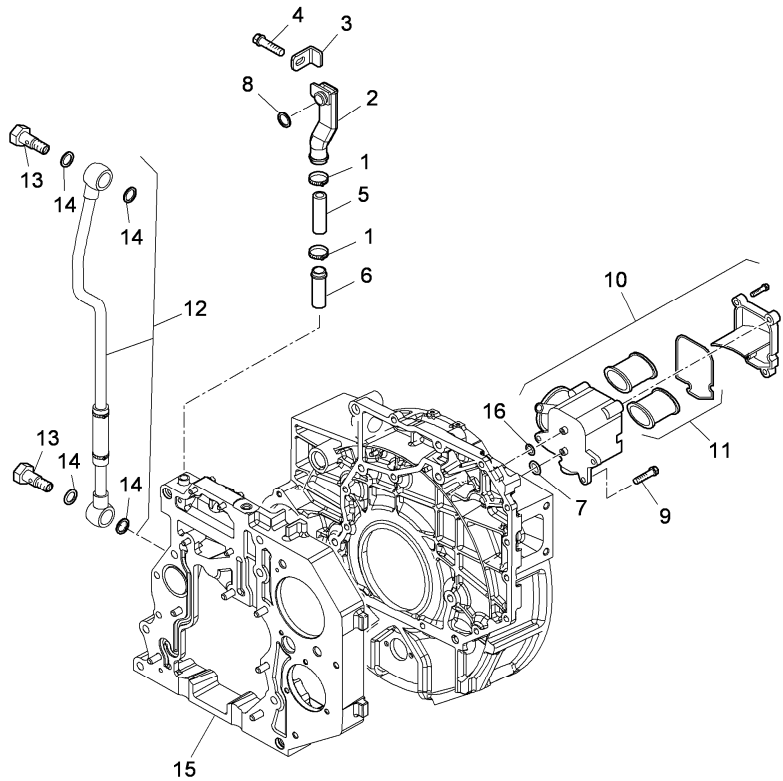
RPE1\00042132.png

A-05
06



A0506

Engine breathers



		Inglese
1	6513395M1	2 Collar
2	704935A1	1 Pipe
3	704936A1	1 Bracket
4	704937A1	1 Screw
5	6513393M1	1 Manicott
6	704940A1	1 Union
7	704960A1	1 Gasket
8	704962A1	1 Seal
9	705014A1	3 Screw
10	6513394M91	1 Breather
11	707340A1	1 Kit
12	705029A1	1 Pipe
13	3688929M1	2 Filler
14	3688878M1	4 Gasket
15		1 Box
16	714672A1	1 Ring

! This is a component of an assembly

<> See page - reference number

● Replacement

Engine

X70 Series Tier 4 (2012-2013) - RPE1 - X70.80

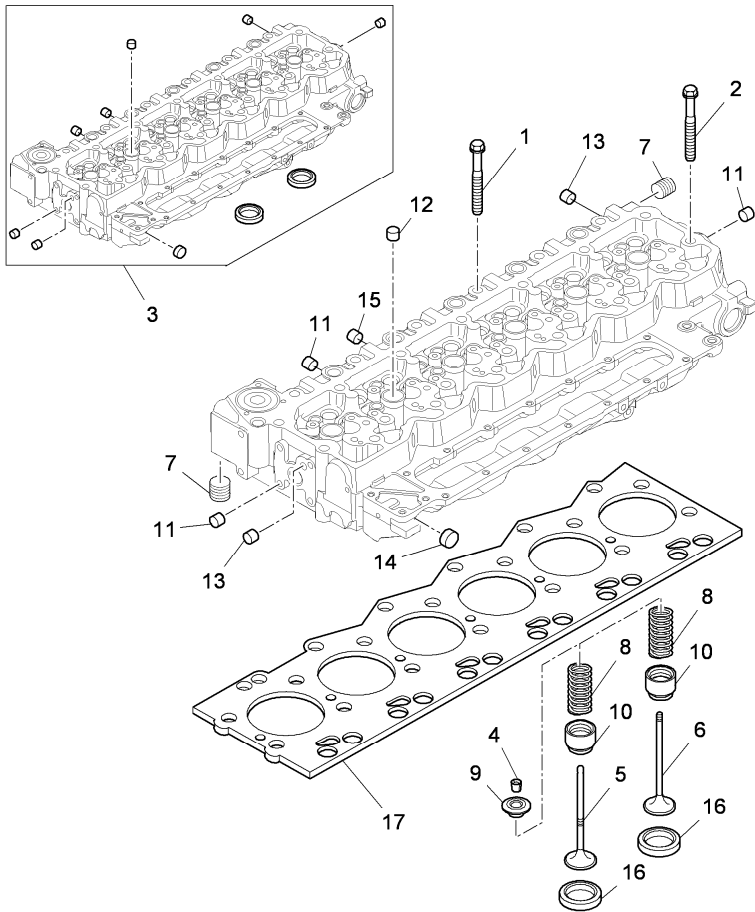
**A-05
07**



A0507

Head cylinder

RPE1\00006692.png



Inglese

1	3688651M1	◄►	M12x130 mm	12	Screw
2	3688652M1	◄►	M12x150 mm	14	Screw
3	6513396M91			1	Cylinder head
4	3688858M1	!	3	48	Cone
5	3688761M1	!	3	12	Valve
6	3688762M1	!	3	12	Valve
7	3688683M1	!	3	1	Plug
8	6513397M1			24	Spring
9	3688766M1	!	3	24	Cup
10	3688622M1	!	3	24	Cap
11	3688768M1	!	3	13	Plug
			25,74x8,13x1,27		
12	3688769M1	!	3	11	Plug
			22,5 mm x 1,27 m		
13	3688782M1	!	3	7	Plug
14	3688794M1	!	3	2	Plug
15	3688795M1	!	3	2	Plug
16	704914A1	!	3	12	Valve seat
16	704914A1	!	3	12	Valve seat
17	3688616M1	!	3	1	Gasket

! This is a component of an assembly

◄► Length

Engine

X70 Series Tier 4 (2012-2013) - RPE1 - X70.80

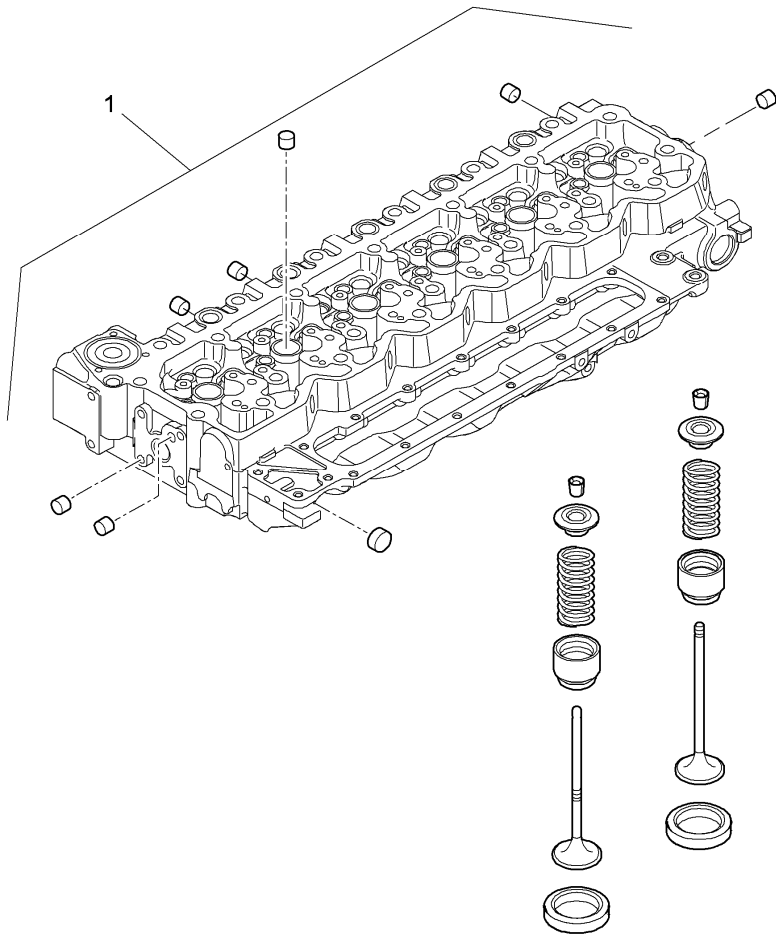
RPE1\00041517.png

A-05
075



A05075

Cylinder head



- 1 6501968M91 ● 704660A1(1)
- Replacement

Inglese

- 1 Cylinder head

Engine

X70 Series Tier 4 (2012-2013) - RPE1 - X70.80

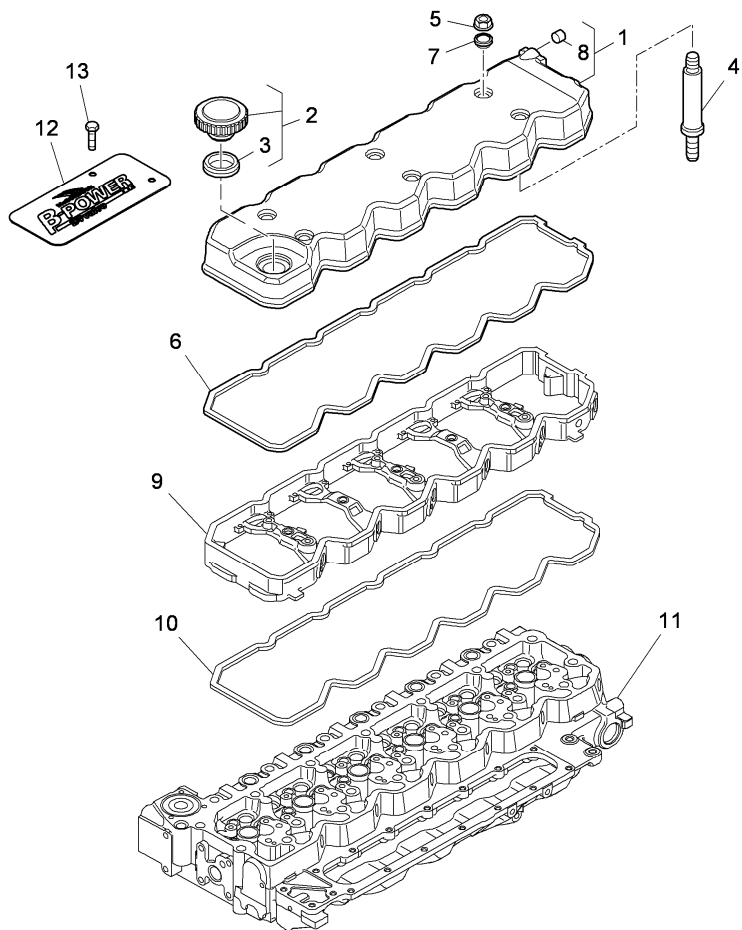
RPE1\00006693.png

A-05
08



A0508

Cylinder head cover



		Inglese
1	6513398M91	1 Coperch.
2	6513399M91	1 Plug
3	3689016M1 ! 2	1 Gasket
4	3688812M1 ● 3689104M1(6)	6 Screw
5	3689057M1	6 Nut
6	3689038M1	1 Gasket
7	3689040M1	6 Spacer
8	3688819M1 ! 1	1 Plug
	● 704956A1(1)	
9	◁ A-05 09 13	1 Spacer
10	◁ A-05 09 19	1 Gasket
11	◁ A-05 07 3	1 Head
12	707730A1	1 Plaque, data
13	555-1 ◀ M8x16 mm	2 Bolt

! This is a component of an assembly

◁ See page - reference number

◀ Length

● Replacement

Engine

X70 Series Tier 4 (2012-2013) - RPE1 - X70.80

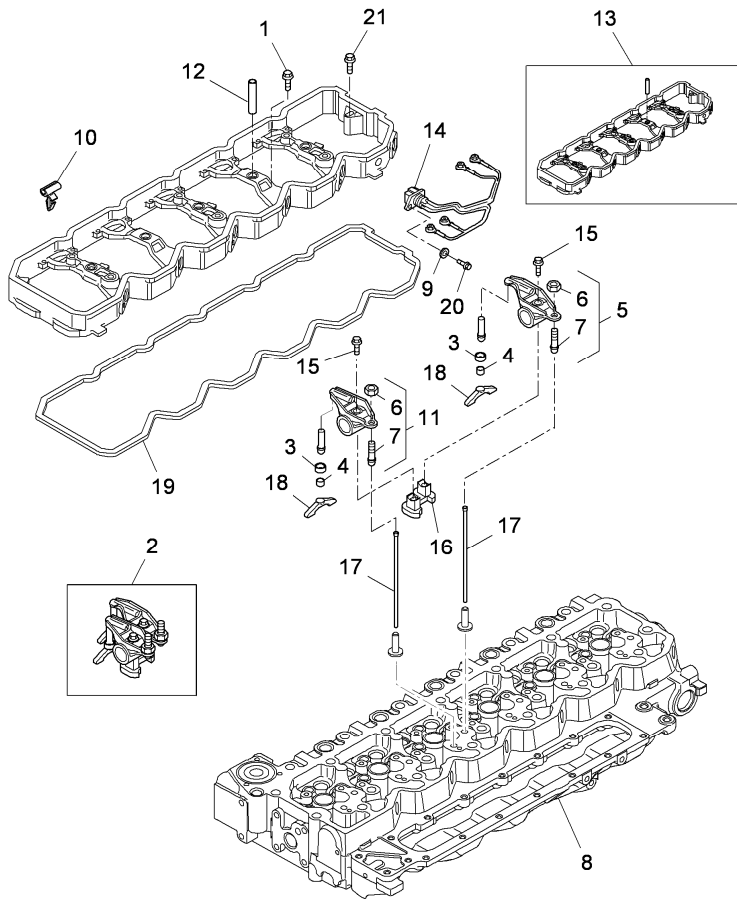
RPE1\00006694.png

A-05
09



A0509

Rocker shaft



- | | | | | | |
|----|------------|----|--------------|----|-------------|
| 1 | 3688796M1 | ◄► | M8x70 mm | 5 | Screw |
| 2 | 3688820M1 | ● | 704858A1(5) | 6 | Shaft |
| 3 | 6513400M1 | ● | 6503095M2(1) | 12 | Cup |
| 4 | 6513401M1 | | | 12 | Skate |
| 5 | 6513402M91 | | | 6 | Rocker |
| 6 | 6513403M1 | | | 12 | Nut |
| 7 | 6513404M1 | | | 12 | Screw |
| 8 | | ◊ | A-05 07 3 | 1 | Head |
| 9 | 3688950M1 | ● | 707347A1(3) | 3 | Lock washer |
| 10 | 3689037M1 | ● | 705197A1(6) | 6 | Spring |
| 11 | 6513405M91 | | | 6 | Rocker |
| 12 | 3688871M1 | ● | 705039A1(5) | 5 | |
| 13 | 3688872M1 | | | 1 | Spacer |
| 14 | 3689025M1 | | | 3 | Cable |
| 15 | 3688609M1 | ➔ | 37131 | 12 | Screw |
| 15 | 3688860M1 | ● | 704622A1(12) | 12 | Screw |
| 15 | 3688860M1 | ➔ | 37130 | 12 | Screw |
| 15 | 3688860M1 | ● | 707345A1(12) | 12 | Screw |
| 16 | 6513406M1 | | | 6 | Support |
| 17 | 3688756M1 | | | 12 | Rod |
| 18 | 3688767M1 | ● | 704785A1(12) | 12 | Axle |
| 19 | 707423A1 | ● | 3689039M1(1) | 1 | Gasket |
| 20 | 3688945M1 | ◄► | M6x16 mm | 3 | Screw |
| | | ● | 704572A1(3) | | |

Engine

X70 Series Tier 4 (2012-2013) - RPE1 - X70.80

RPE1\00006694.png

A-05
09



A0509

Rocker shaft

Inglese

21 3688863M1 ● 705011A1(2)

2 Screw

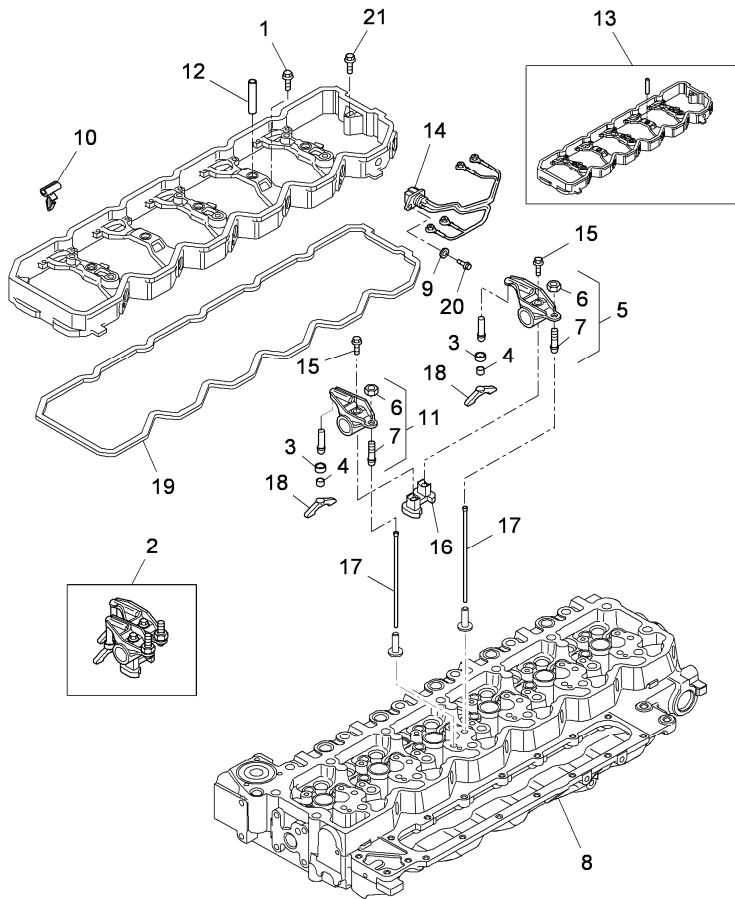
➔ From serial or engine number

➔ Up to serial or engine number

👁 See page - reference number

↔ Length

● Replacement



Engine

X70 Series Tier 4 (2012-2013) - RPE1 - X70.80

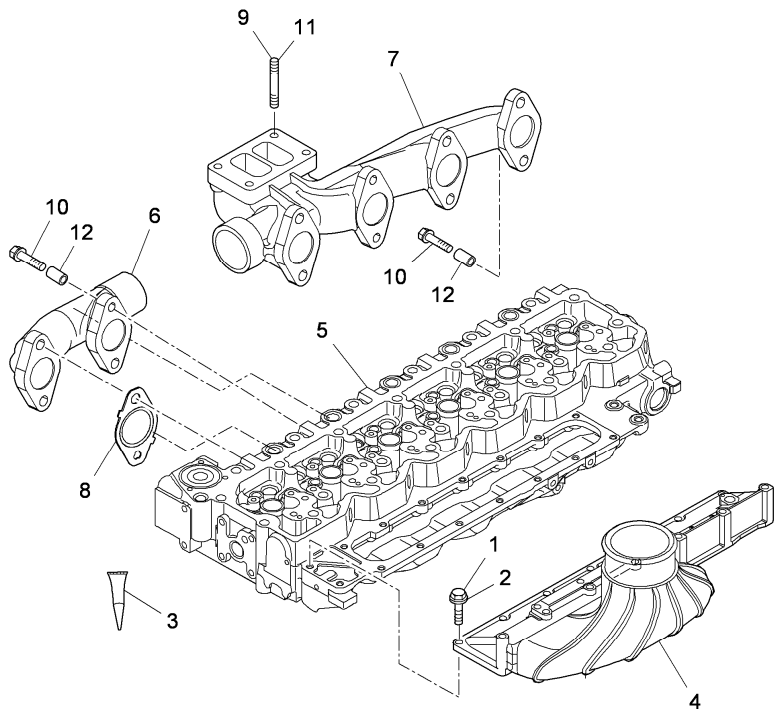
RPE1\00006695.png

A-05
10



A0510

Intake and exhaust manifold



		Inglese
1	3688777M1	2 Screw
2	3688850M1	8 Screw
3	6500933M1	999 Loctite
4	3689091M1	1 Duct
5	⊕ A-05 07 3	1 Head
6	3688619M1	1 Manifold
	B	
7	3689060M1	1 Manifold
	B	
8	3689062M1	6 Gasket
9	3688861M1	3 Screw
10	705316A1	12 Screw
	● 3688774M2(12)	
11	3688946M1	1 Screw
12	6513407M1	12 Spacer
⊕	See page - reference number	
◄►	Length	
●	Replacement	
A	Inlet	
B	Exhaust	

Engine

X70 Series Tier 4 (2012-2013) - RPE1 - X70.80

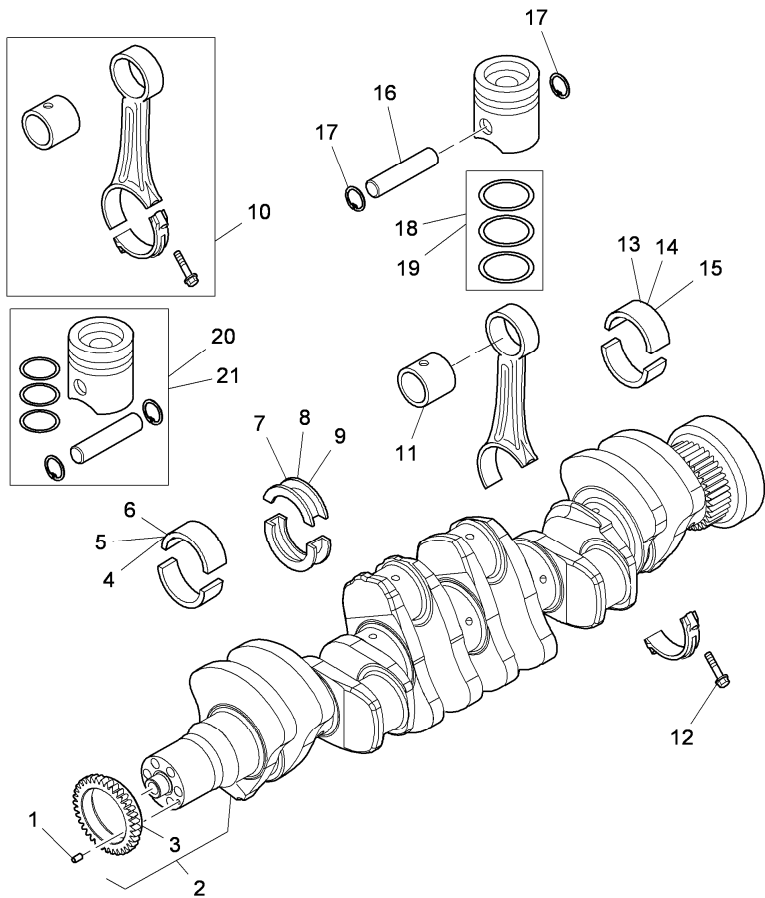
RPE1\00006698.png

A-05
11



A0511

Crank shaft - connecting rods



- | | | | |
|----|------------|---|-------------|
| 1 | 3688851M1 | ● | 704992A1(1) |
| 2 | 705157A1 | ● | 705157A2(1) |
| 3 | 704730A1 | ! | 2 |
| 4 | 3688637M1 | | |
| 5 | 3688638M1 | ✕ | -0,250 mm |
| 6 | 3688639M1 | ✕ | -0,500 mm |
| 7 | 3688634M1 | | |
| 8 | 3688635M1 | ✕ | -0,250 mm |
| 9 | 3688636M1 | ✕ | -0,500 mm |
| 10 | 3688624M1 | | |
| 11 | 3688675M1 | ! | 10 |
| 12 | 3688623M1 | ! | 10 |
| 13 | 3688880M1 | | |
| 14 | 4206388M1 | ✕ | -0,250 mm |
| 15 | 4206389M1 | ✕ | -0,500 mm |
| 16 | 3688676M1 | | |
| 17 | 3689087M1 | | |
| 18 | 3688921M1 | | |
| 19 | 3688923M92 | ✕ | +0,400 mm |
| | | ● | 713981A1(6) |
| 20 | 6513408M91 | | |
| 21 | 6513409M91 | ✕ | +0,400 mm |

Inglese

- | | |
|----|-----------|
| 1 | Dowel pin |
| 1 | Shaft |
| 1 | Gear |
| 6 | Cuscinet |
| 6 | Cuscinet |
| 6 | Cuscinet |
| 1 | Cuscinet |
| 1 | Bearing |
| 1 | Cuscinet |
| 6 | Conrod |
| 1 | Bush |
| 2 | Screw |
| 6 | Cuscinet |
| 6 | Cuscinet |
| 6 | Cuscinet |
| 6 | Pin |
| 12 | Ring |
| 6 | Kit |
| 6 | Kit |
| 6 | Piston |
| 6 | Piston |

- ! This is a component of an assembly
 ✕ Shim
 ● Replacement

Engine

X70 Series Tier 4 (2012-2013) - RPE1 - X70.80

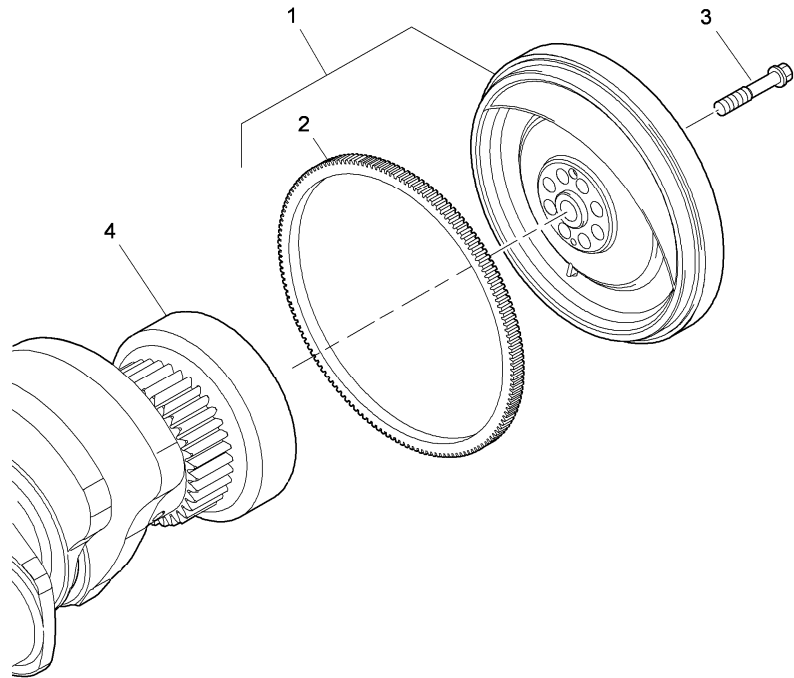
RPE1\00006699.png

A-05
12



A0512

Engine flywhell - damper



- 1 705228A1
- 2 705069A1 ! 1
● N.L.S.(1)
- 3 704752A1
- 4 ⦿ A-05 11 2
- ! This is a component of an assembly
- ⦿ See page - reference number
- Replacement

Inglese

- 1 Flywheel
- 1 Crownwheel
- 8 Screw
- 1 Shaft

Engine

X70 Series Tier 4 (2012-2013) - RPE1 - X70.80

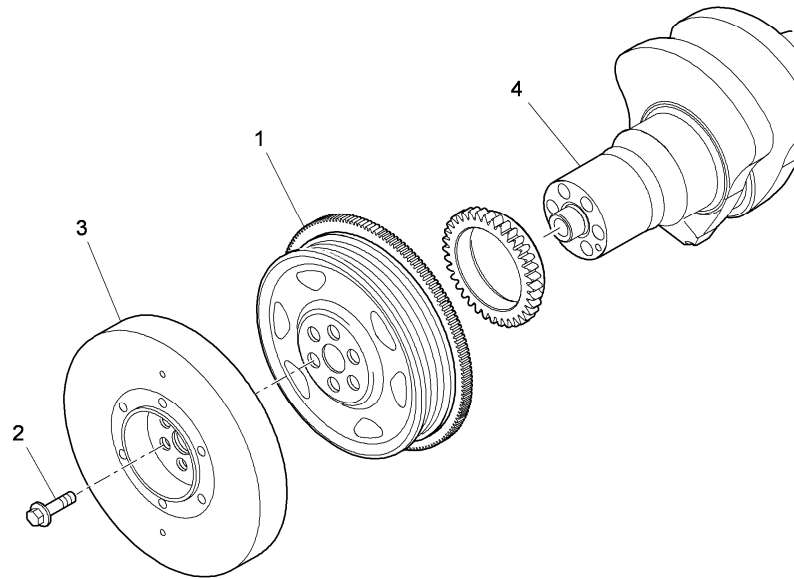
RPE1\00006700.png

A-05
13



A0513

Vibration damper



- 1 704899A1
 - 2 3688681M1
 - 3 704720A1
 - 4 A-05 11 2
- See page - reference number

Inglese

- 1 Pulley
- 6 Screw
- 1 Kit
- 1 Shaft

Engine

X70 Series Tier 4 (2012-2013) - RPE1 - X70.80

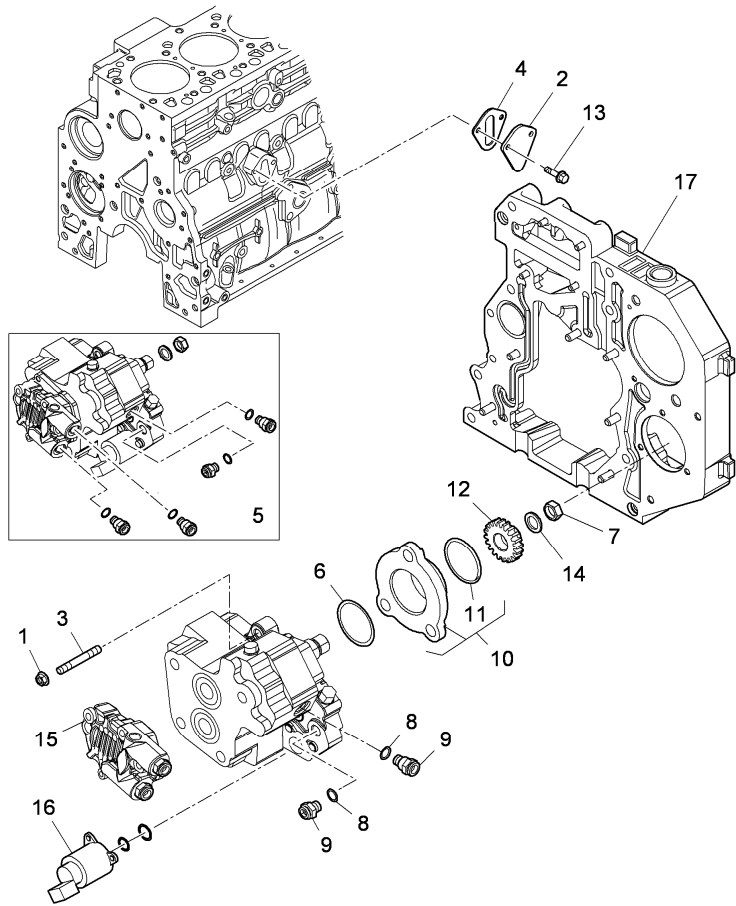
RPE1\00006702.png

**A-05
15**



A0515

Fuel injection equipment



- | | | | | | |
|----|------------|---|-------------|--|--|
| 1 | 706306A1 | | | | |
| 2 | 3688811M1 | ● | 704911A1(1) | | |
| 3 | 704575A1 | ◄ | M8x50 mm | | |
| 4 | 3688642M1 | ● | 704684A1(1) | | |
| 5 | 6513428M91 | ● | 704975A2(1) | | |
| 6 | 3689012M1 | | | | |
| 7 | 3688641M1 | ● | 704682A1(1) | | |
| 8 | 3689015M2 | | | | |
| 9 | 6501374M1 | | | | |
| 10 | 705116A1 | | | | |
| 11 | 704591A1 | ! | 10 | | |
| 12 | 704731A1 | | | | |
| 13 | 3688941M1 | ● | 710625A1(2) | | |
| 14 | 3688990M1 | ● | 707359A1(1) | | |
| 15 | | ◁ | A-05 17 4 | | |
| 16 | | ◁ | A-05 17 1 | | |
| 17 | | ◁ | A-05 04 10 | | |

Inglese

- | | |
|---|-------------|
| 3 | Nut |
| 1 | Coperch. |
| 3 | Stud |
| 1 | Gasket |
| 1 | Pump |
| 1 | O ring |
| 1 | Nut |
| 2 | Gasket |
| 2 | Union |
| 1 | Spacer |
| 1 | Gasket |
| 1 | Pinion |
| 2 | Screw |
| 1 | Washer |
| 1 | Pump |
| 1 | Adjuster |
| 1 | Rotor drive |

- ! This is a component of an assembly
- ◁ See page - reference number
- ◄ Length
- Replacement

Engine

X70 Series Tier 4 (2012-2013) - RPE1 - X70.80

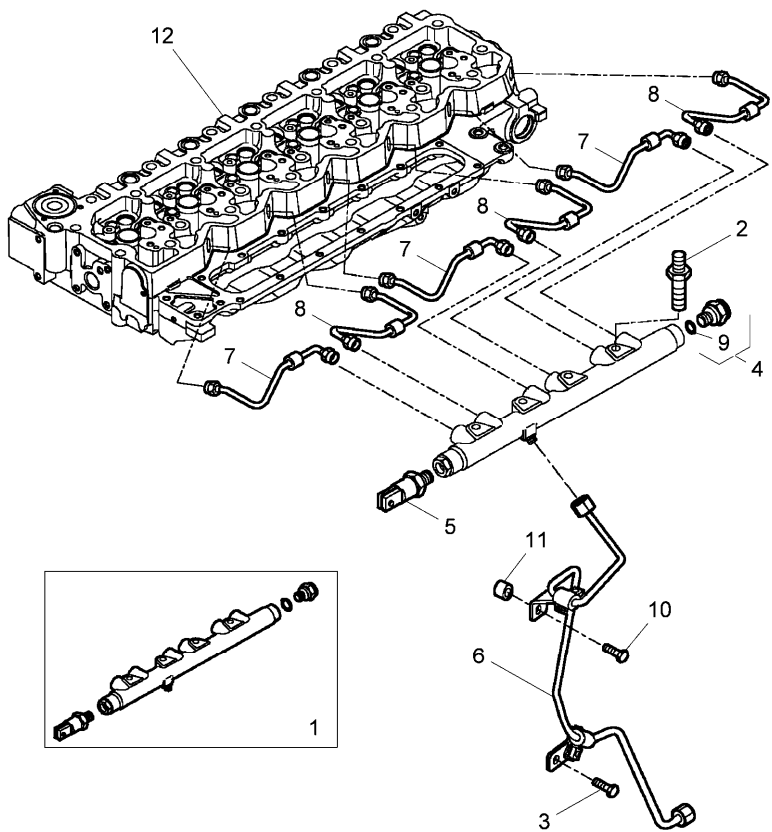
RPE1\00006703.png

**A-05
16**



A0516

Accumulator hydraulic



- 1 3689071M2
 - 2 3689029M1 ● 705148A1(4)
 - 3 710625A1 ◄ M8x20 mm
 - 4 3689078M2 ! 1
 - 5 3689100M2 ! 1
 - 6 4218885M1
 - 7 4218886M1
 - 8 4218887M1
 - 9 4218938M1 ! 4
 - 10 704904A1
 - 11 714693A1
 - 12 ◄ A-05 07 3
- ! This is a component of an assembly
 ◄ See page - reference number
 ◄ Length
 ● Replacement

Inglese

- 1 Accumulator
- 4 Screw
- 1 Bolt
- 1 Valve
- 1 Sensor
- 1 Pipe
- 3 Pipe
- 3 Pipe
- 1 Ring
- 1 Screw
- 1 Spacer
- 1 Head

Engine

X70 Series Tier 4 (2012-2013) - RPE1 - X70.80

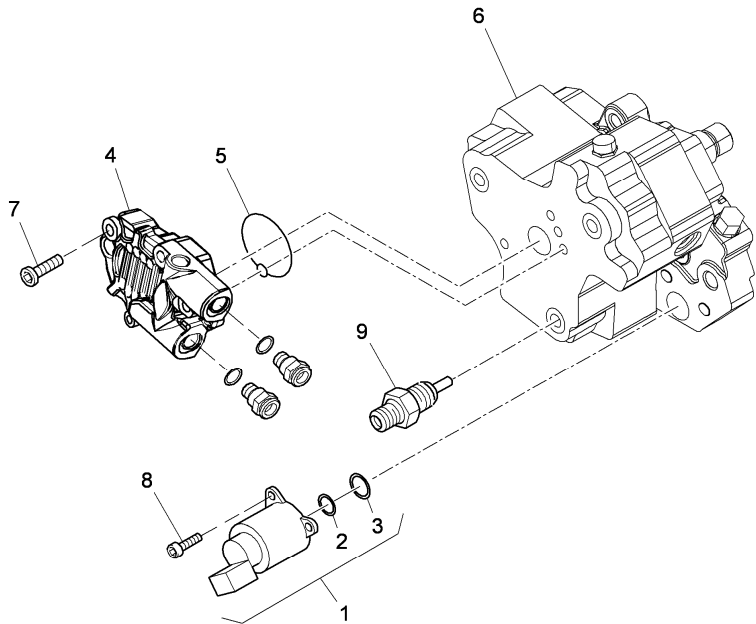
RPE1\00042140.png

**A-05
17**



A0517

Injection pump (componenti)



		Inglese
1	3689009M1	1 Adjuster
2	3689008M1 ! 1	1 O ring
3	3689007M1 ! 1	1 O ring
4	3689010M1 ● 3689010M2(1)	1 Pump
5	6501370M1	1 Ring
6	⦿ A-05 15 5	1 Pump
7	3689112M1 ● 6525662M1(4)	4 Screw
8	3689128M1 ● 6525661M1(3)	3 Screw
9	3689129M1	1 Valve

- ! This is a component of an assembly
- ⦿ See page - reference number
- Replacement

Engine

X70 Series Tier 4 (2012-2013) - RPE1 - X70.80

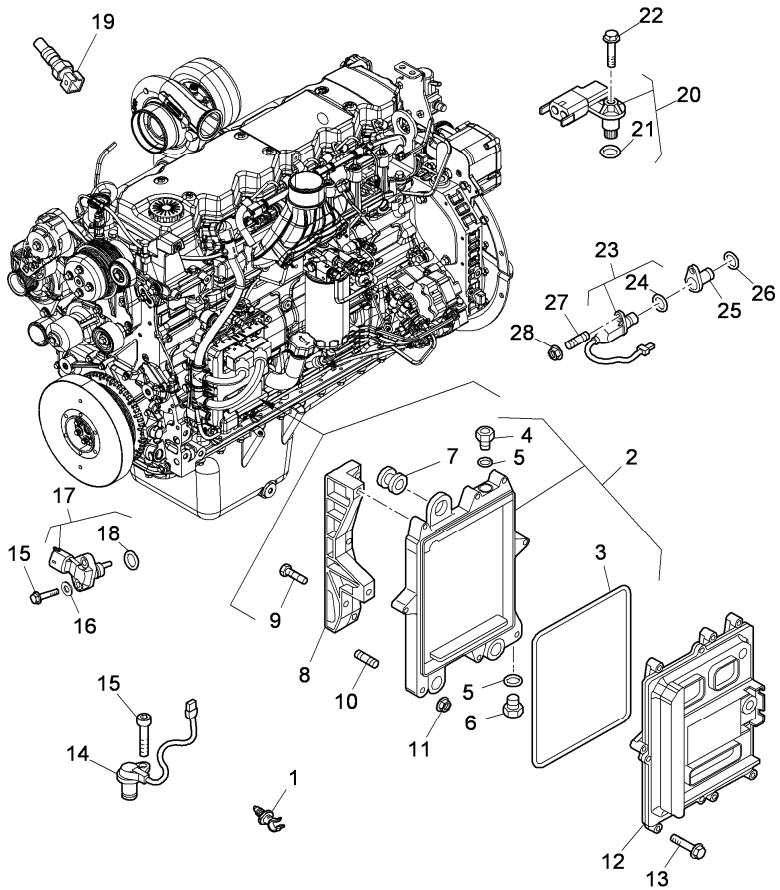
RPE1\00042142.png

**A-05
19**



A0519

Electronic control unit




		Inglese
1	6513422M1	2
2	6513421M91	1 Support
3	704902A1	! 2
	● 3689053M1(1)	1 Gasket
4	704894A1	! 2
5	3689015M2	! 2
6	3688650M1	! 2
7	3689019M1	! 2
8	704945A1	1 Stirrup
9	704573A1	3 Insert
10	714709A1	1 Stud
11	714711A1	1 Nut
12	6513420M1	● N.L.S.(2)
13	3688931M1	◄ M6x30 mm
13	705003A1	3 Screw
14	704677A1	A
15	3688866M1	● 705021A1(3)
16	705023A1	2 Washer
17	3688640M1	● 3688640M2(1)
	B	
	E	
18	3688797M1	! 17
19	3688813M1	C
20	6513418M91	D
	F	

Engine

X70 Series Tier 4 (2012-2013) - RPE1 - X70.80

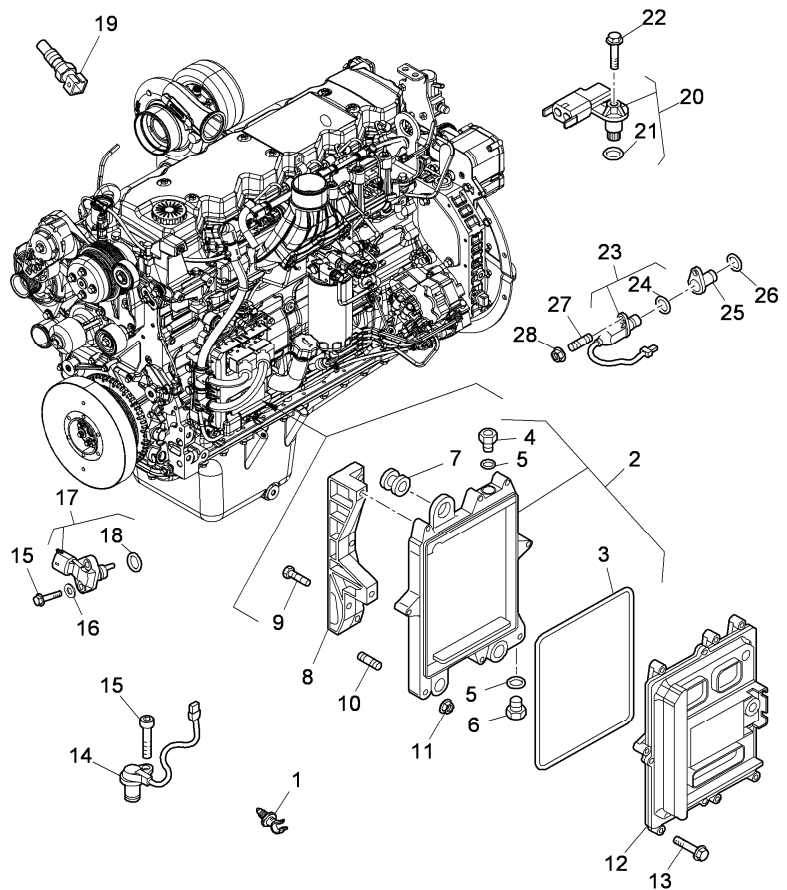
A-05
19



A0519

Electronic control unit

RPE1\00042142.png



- 21 4206392M1 ! 20
 - 22 3688801M1
 - 23 707382A1 A
 - 24 3688993M1 ! 23
 - 25 6513423M1
 - 26 6513424M1
 - 27 6513419M1
 - 28 714708A1
- ! This is a component of an assembly
- ◄ Length
- Replacement
- A Speed
- B Oil pressure
- C Water temperature
- D Air pressure
- E Oil temperature
- F Temperature

- Inglese**
- 1 O ring
 - 1 Screw
 - 1 Sensor
 - 1 O ring
 - 1 Union
 - 1 Ring
 - 1 Screw
 - 1 Nut



Suggest:

For more complete manuals. Please go to the home page.

<https://www.ebooklibonline.com>

If the above button click is invalid. Please download this document first, and then click the above link to download the complete manual.

Thank you so much for reading

Engine

X70 Series Tier 4 (2012-2013) - RPE1 - X70.80

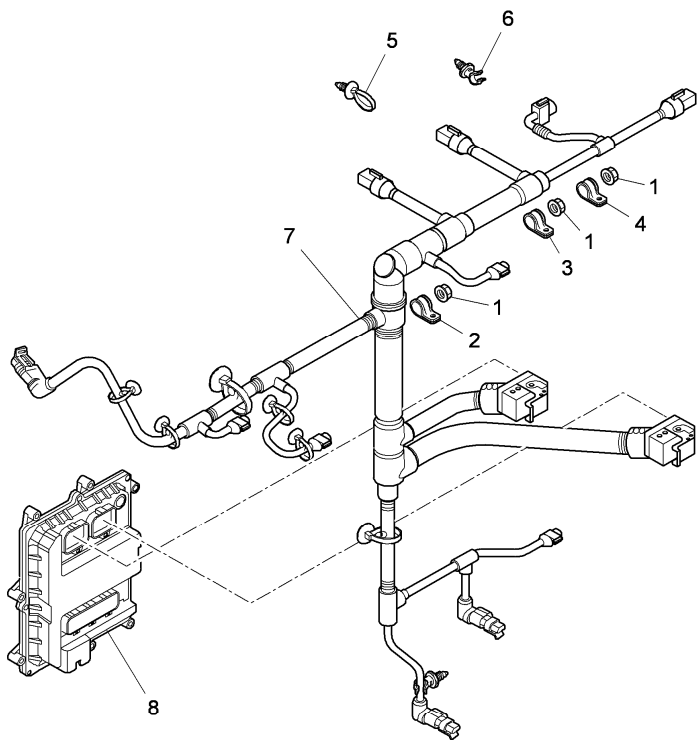
RPE1\00006710.png

A-05
20



A0520

Engine wiring



- 1 3688947M1
- 2 714911A1
- 3 3689001M1 ● 704593A1(1)
- 4 704594A1
- 5 707369A1
- 6 705180A1
- 7 714718A1
- 8 ◁ A-05 19 12

◁ See page - reference number
 ● Replacement

Inglese

- 3 Nut
- 1 Stirrup
- 1 Stirrup
- 1 Stirrup
- 1 Clip
- 1 Clip
- 1 Harness
- 1 Electronic unit control

Engine

X70 Series Tier 4 (2012-2013) - RPE1 - X70.80

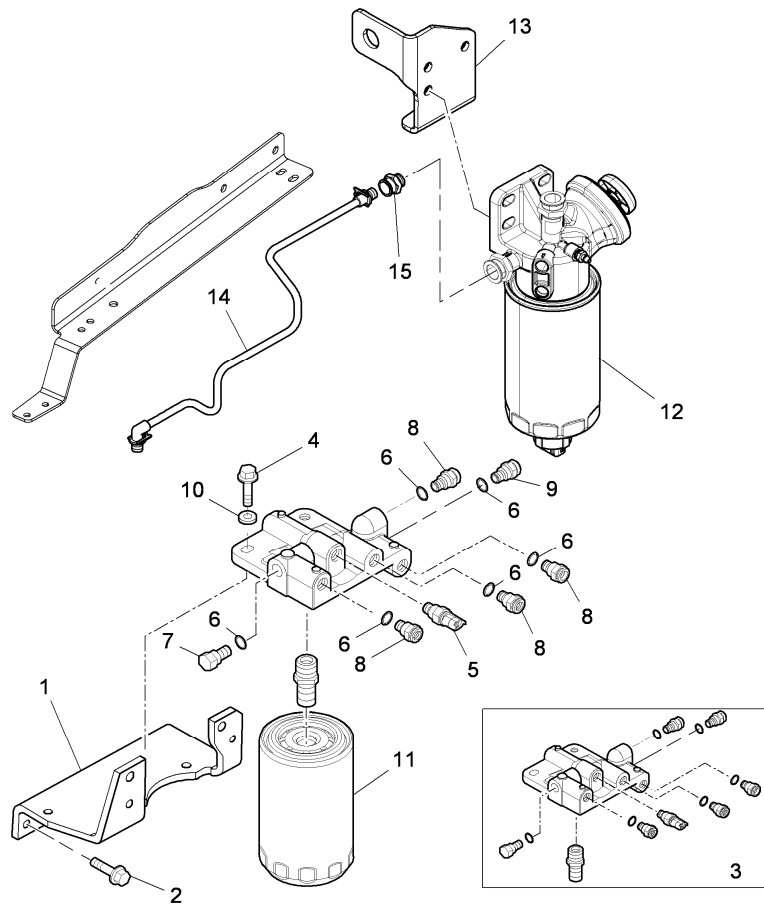
RPE1\00042145.png

**A-05
21**



A0521

Fuel filter



- 1 4218939M1
- 2 710625A1 ◀▶ M8x20 mm
- 3 705297A1
- 4 704647A1
- 5 3688813M1
- 6 3688754M1
- 7 704734A1
- 8 3688650M1
- 9 3688808M1 ● 704895A1(1)
- 10 704645A1
- 11 6513425M1
- 12 ◁▷ C-32 75 1
- 13 ◁▷ C-32 75 15
- 14 ◁▷ C-32 73 37
- 15 ◁▷ C-32 73 39

Inglese

- 1 Support
- 4 Screw
- 1 Support
- 2 Screw
- 1 Sender
- 6 Ring
- 1 Plug
- 4 Union
- 1 Union
- 2 Washer
- 1 Cartridge
- 1 Pre filter
- 1 Support
- 1 Pipe
- 1 Connector

- ◁▷ See page - reference number
- ◀▶ Length
- Replacement

<https://www.ebooklibonline.com>

Hello dear friend!

Thank you very much for reading.

Enter the link into your browser.

The full manual is available for immediate download.

<https://www.ebooklibonline.com>