

Engine

X70 Series Tier 4 (2012-2013) - RPE1 - X70.50

RPE1\00042127.png

A-05
01



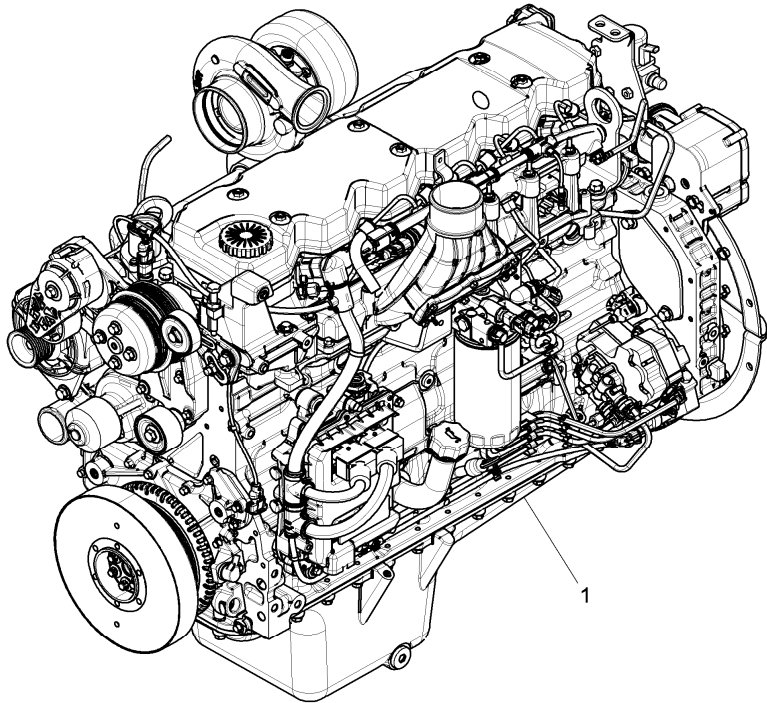
A0501

Engine assembly

1 6509669M91

"fpt nef" 129 kw

Inglese
1 Engine



Engine

X70 Series Tier 4 (2012-2013) - RPE1 - X70.50

RPE1\00041500.png

A-05
015



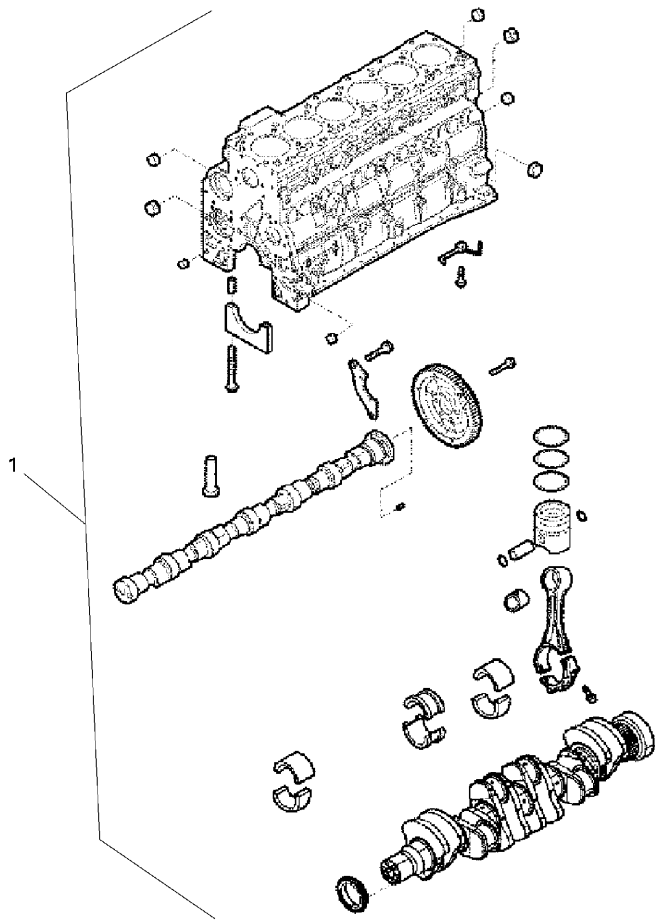
A05015

Short engine

1 6513390M91

Inglese

1 Short engine



Engine

X70 Series Tier 4 (2012-2013) - RPE1 - X70.50

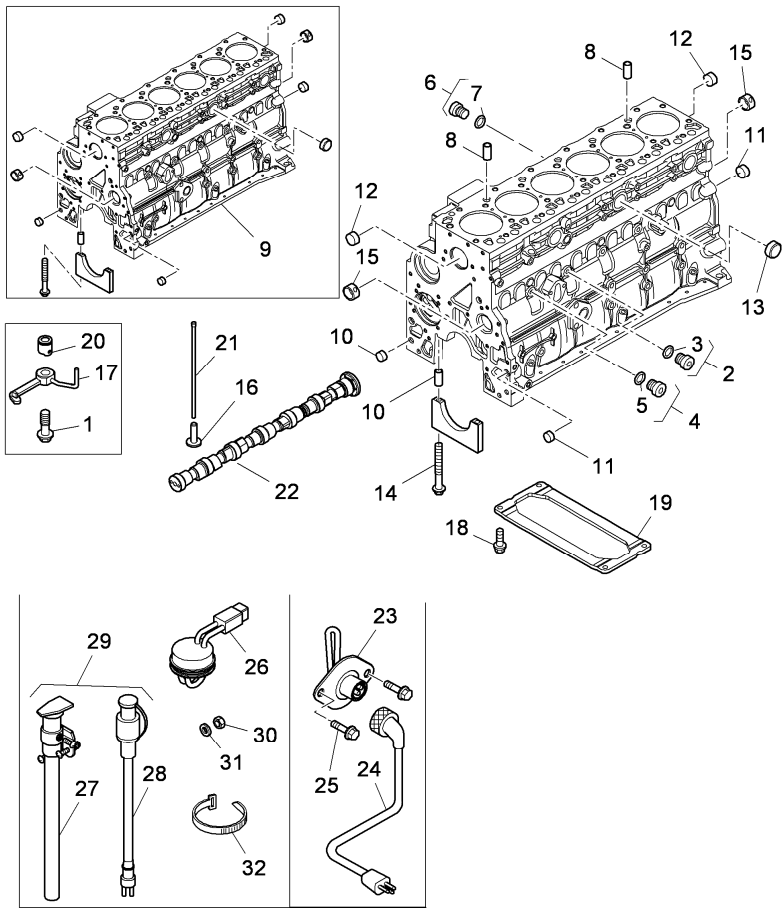
RPE1\00006683.png

A-05
02



A0502

Crankcase



		Inglese
1	3688692M1	6 Filler
2	3689350M1	2 Plug
3	3688868M1	1 O ring
4	3688822M1	2 Plug
5	3688855M1	1 O ring
6	3688780M1	3 Plug
7	3688781M1	1 O ring
		707405A1(1)
8	3688760M1	2 Dowel pin
9	704604A1	1 Crankcase
10	3688824M1	14 Dowel pin
		704983A1(14)
11	3688758M1	3 Plug
		17,73x6,35x1,07
12	3688757M1	6 Plug
		58,06x8,25x1,52
13	3688775M1	3 Plug
		35,23x7,94x1,52
14	3688673M1	14 Screw
		M12x120 mm
		704696A1(14)
15	3688759M1	1 Bearing
16	3688877M1	12 Platform
17	3689030M1	6 Splasher
18	704985A1	4 Bolt
		M10x25 mm

<https://www.ebooklibonline.com>

Hello dear friend!

Thank you very much for reading.

Enter the link into your browser.

The full manual is available for immediate download.

<https://www.ebooklibonline.com>

Engine

X70 Series Tier 4 (2012-2013) - RPE1 - X70.50

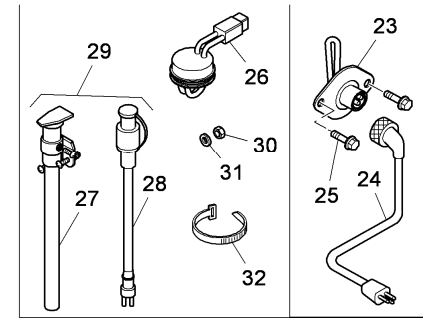
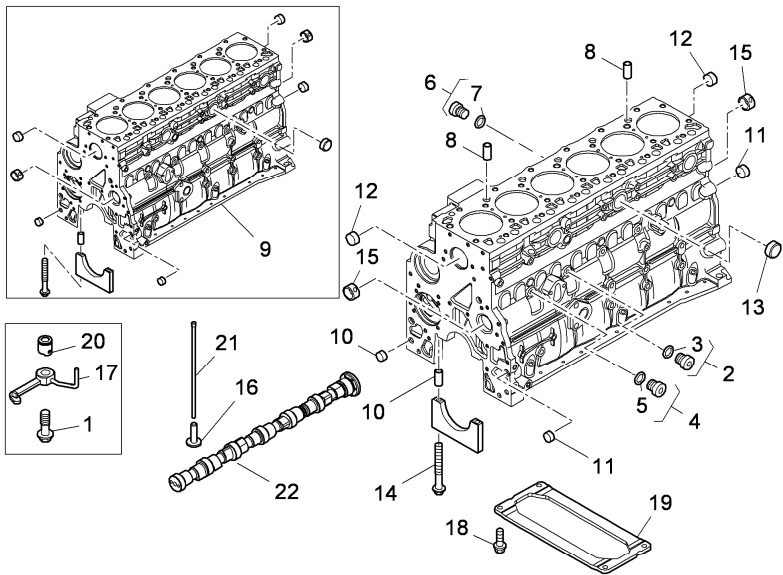
RPE1\00006683.png

A-05
02



A0502

Crankcase



		Inglese
19	705218A1	1 Plate
20	⊕ A-05 11 20	6 Piston
21	⊕ A-05 09 17	12 Rod
22	⊕ A-05 14 5	1 Camshaft
23	706388A1 A	1 Heater
24	J905113 A	1 Cable
25	844-8020 ◀▶ M8x20 mm	2 Bolt
	A	
26	706389A1 B	1 Heater
27	314722A1 ! 29	1 Cable
28	314723A1 ! 29	1 Cable
29	313126A2 ● 314722A1(1), 314723A1(1)	1 Cable
	B	
30	825-1405 ● 390995X1(1)	1 Nut
	B	
31	893-16005 B	2 Washer
32	289862C1 B	3 Clamp
! This is a component of an assembly		
⊕ See page - reference number		
◀▶ Length		
● Replacement		
A For market "n.a.o."		
B Excluded "n.a.o." market		

Engine

X70 Series Tier 4 (2012-2013) - RPE1 - X70.50

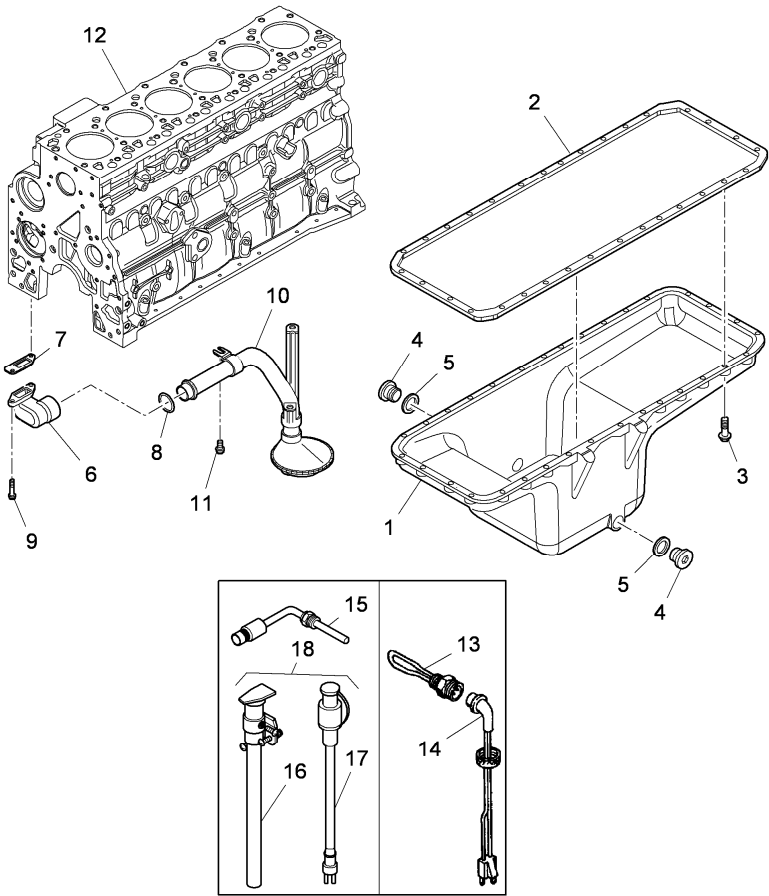
RPE1\00006684.png

A-05
03



A0503

Oil sump



		Inglese
1	705252A1	1 Housing
2	705082A1	1 Gasket
3	3688942M1	32 Screw
	◀▶ M8x30 mm	
	● 706309A1(32)	
4	3688691M1	2 Plug
5	3688997M1	2 O ring
6	705185A1	1 Insert
7	704957A1	1 Gasket
8	704589A1	1 Gasket
9	710626A1	2 Screw
	◀▶ M8x25 mm	
10	705298A1	1 Pipe
11	704827A1	1 Screw
	◀▶ M10x20 mm	
12	◁▷ A-05 02 9	1 Housing
13	J904380 A	1 Heater
14	J905113 A	1 Cable
15	706391A1 B	1 Heater
16	314722A1 ! 18	1 Cable
17	314723A1 ! 18	1 Cable
18	313126A2 ● 314722A1(1), 314723A1(1)	1 Cable

- ! This is a component of an assembly
- ◁▷ See page - reference number
- ◀▶ Length
- Replacement
- A N.a.o. market

Engine

X70 Series Tier 4 (2012-2013) - RPE1 - X70.50

RPE1\00006684.png

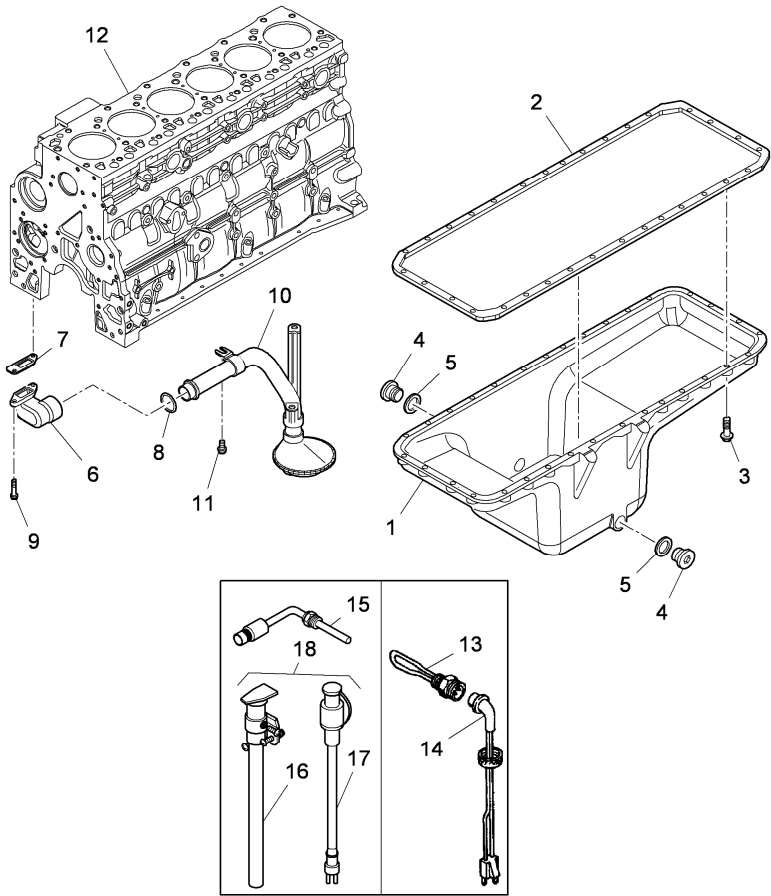
A-05
03



A0503

Oil sump

B Excluded "n.a.o." market



Engine

X70 Series Tier 4 (2012-2013) - RPE1 - X70.50

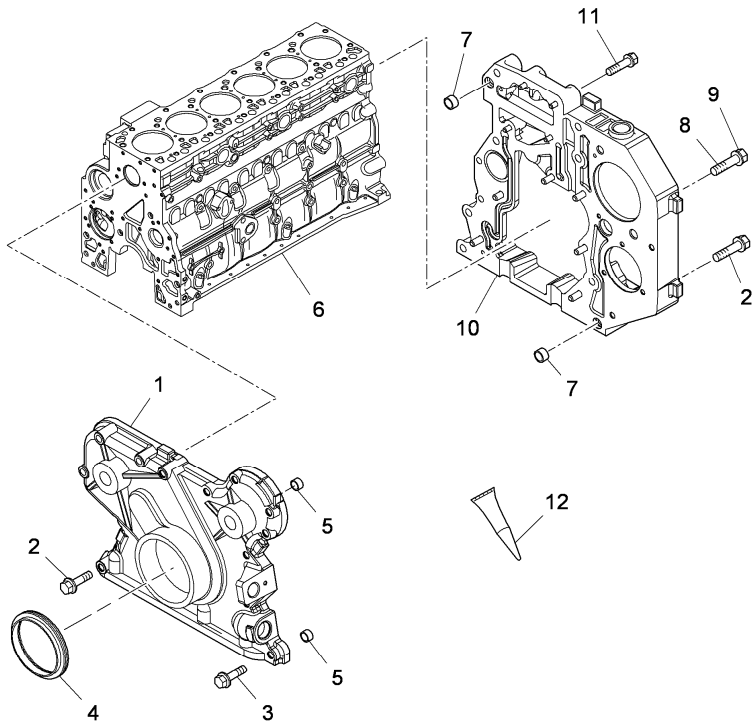
RPE1\00006689.png

**A-05
04**



A0504

Crankcase covers



- | | | Inglese |
|----|-----------|-----------------------------|
| 1 | 704913A1 | 1 Cover |
| 2 | 705003A1 | 9 Screw |
| 3 | 3688853M1 | 8 Screw |
| 4 | 6513391M1 | 1 Ring |
| 5 | 704693A1 | 2 Stud |
| 6 | | 1 Crankcase |
| 7 | 3688824M1 | 2 Dowel pin |
| 8 | 705015A1 | 2 Screw |
| 9 | 704999A1 | 1 Screw |
| 10 | 6513392M1 | 1 Box |
| 11 | 704910A1 | 3 Screw |
| 12 | 3688632M1 | 3688632M2(999) 999 Adhesive |
- ◁ See page - reference number
 ▶ Length
 ● Replacement

Engine

X70 Series Tier 4 (2012-2013) - RPE1 - X70.50

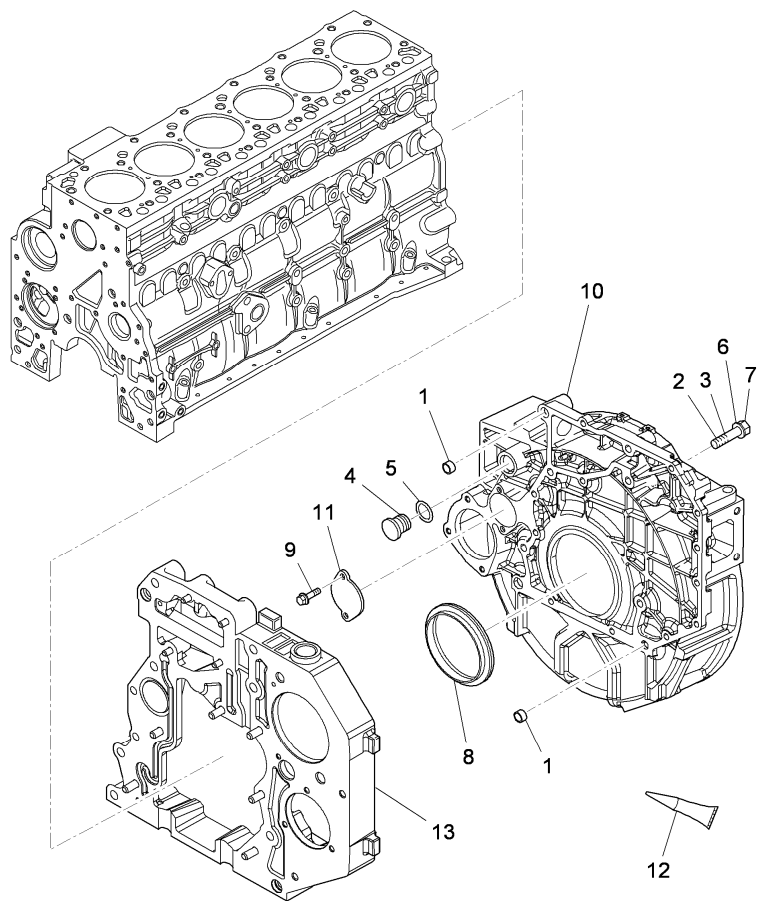
RPE1\00006690.png

**A-05
05**



A0505

Flywheel housing



		Inglese			
1	3688824M1	●	704983A1(2)	2	Dowel pin
2	705020A1	◄	M10x80 mm	2	Screw
3	712165A1	◄	M10x40 mm	10	Screw
4	704847A1			1	Plug
5	714949A1			1	O ring
6	705002A1	◄	M12x80 mm	6	Screw
7	4219091M1			2	Screw
8	6514306M1		155x130x16	1	Ring
9	3688854M1	◄	M8x17 mm	2	Screw
		●	704997A1(2)		
10	705098A1			1	Cover
11	704799A1			1	Cover
12	3688632M1	●	3688632M2(999)	999	Adhesive
13		◄	A-05 04 10	1	Box

◄ See page - reference number
 ◄ Length
 ● Replacement

Engine

X70 Series Tier 4 (2012-2013) - RPE1 - X70.50

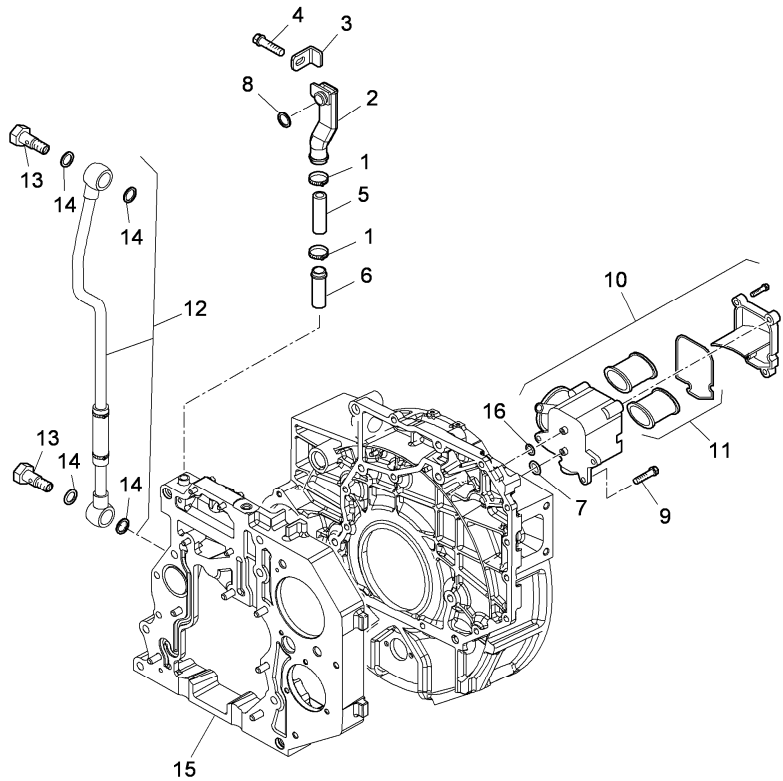
RPE1\00042132.png

A-05
06



A0506

Engine breathers



		Inglese
1	6513395M1	2 Collar
2	704935A1	1 Pipe
3	704936A1	1 Bracket
4	704937A1	1 Screw
5	6513393M1	1 Manicott
6	704940A1	1 Union
7	704960A1	1 Gasket
8	704962A1	1 Seal
9	705014A1	3 Screw
10	6513394M91	1 Breather
11	707340A1	1 Kit
12	705029A1	1 Pipe
13	3688929M1	2 Filler
14	3688878M1	4 Gasket
15		1 Box
16	714672A1	1 Ring

- ! This is a component of an assembly
- See page - reference number
- Replacement

Engine

X70 Series Tier 4 (2012-2013) - RPE1 - X70.50

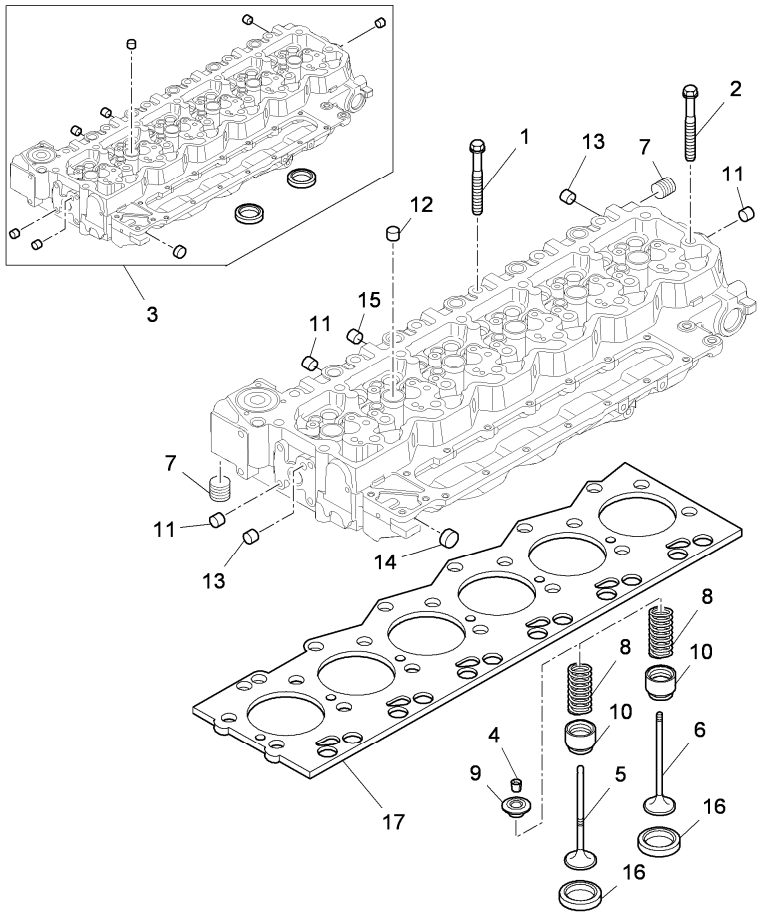
**A-05
07**



A0507

Head cylinder

RPE1\00006692.png



Inglese

1	3688651M1	◄►	M12x130 mm	12	Screw
2	3688652M1	◄►	M12x150 mm	14	Screw
3	6513396M91			1	Cylinder head
4	3688858M1	!	3	48	Cone
5	3688761M1	!	3	12	Valve
6	3688762M1	!	3	12	Valve
7	3688683M1	!	3	1	Plug
8	6513397M1			24	Spring
9	3688766M1	!	3	24	Cup
10	3688622M1	!	3	24	Cap
11	3688768M1	!	3	13	Plug
12	3688769M1	!	3		
			25,74x8,13x1,27	11	Plug
			22,5 mm x 1,27 m		
13	3688782M1	!	3	7	Plug
14	3688794M1	!	3	2	Plug
15	3688795M1	!	3	2	Plug
16	704914A1	!	3	12	Valve seat
16	704914A1	!	3	12	Valve seat
17	3688616M1	!	3	1	Gasket

! This is a component of an assembly
◄► Length

Engine

X70 Series Tier 4 (2012-2013) - RPE1 - X70.50

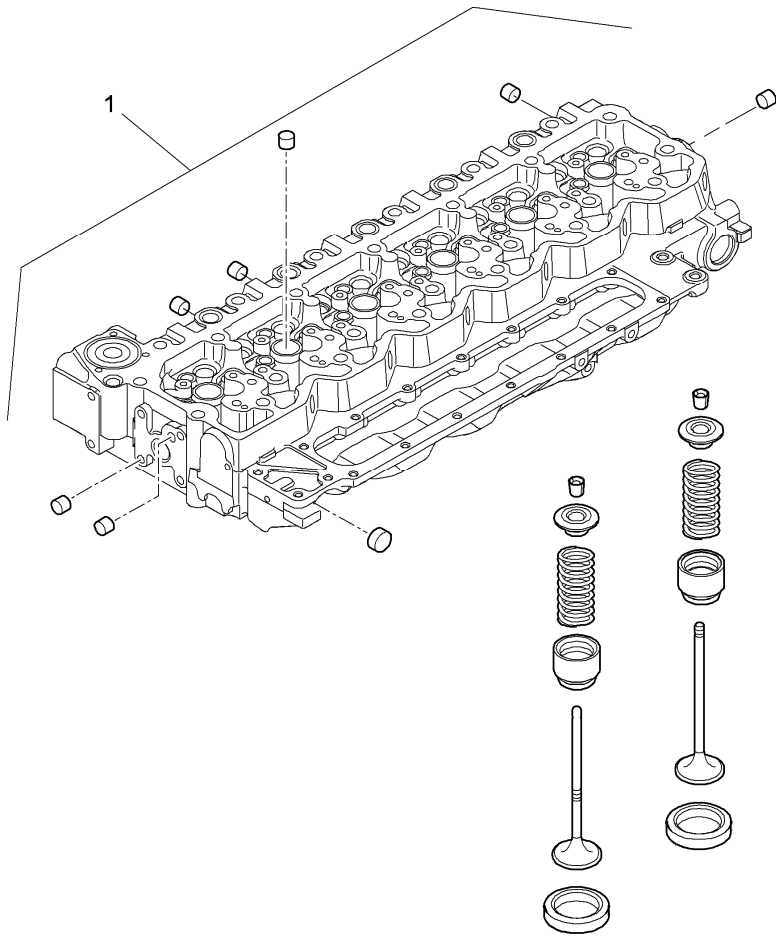
RPE1\00041517.png

A-05
075



A05075

Cylinder head



- 1 6501968M91 ● 704660A1(1)
- Replacement

Inglese

- 1 Cylinder head

Engine

X70 Series Tier 4 (2012-2013) - RPE1 - X70.50

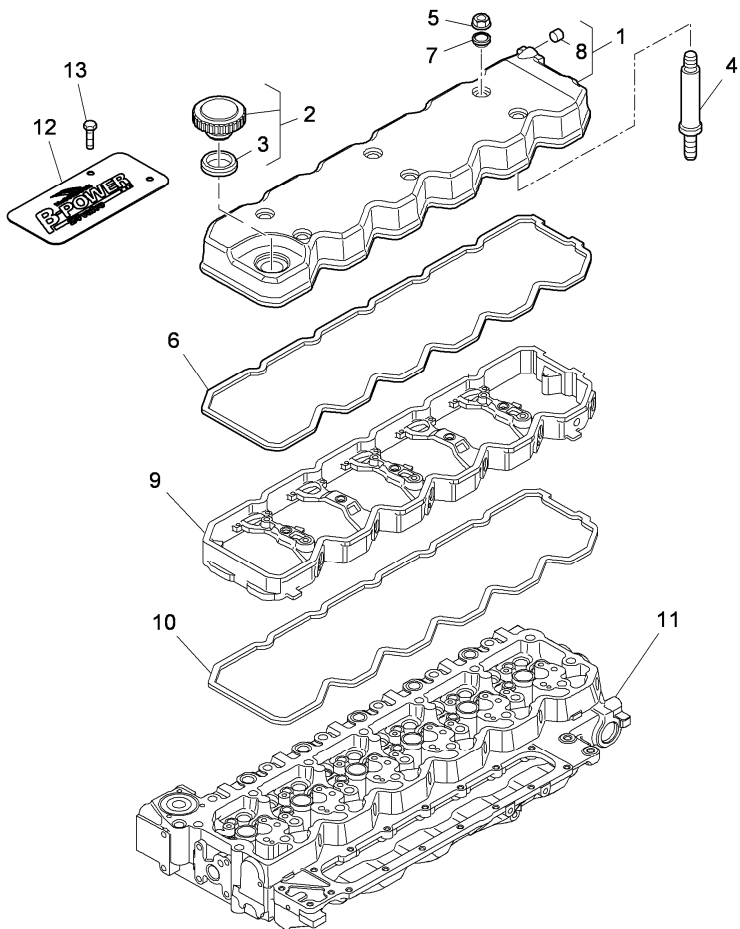
RPE1\00006693.png

A-05
08



A0508

Cylinder head cover



		Inglese
1	6513398M91	1 Coperch.
2	6513399M91	1 Plug
3	3689016M1 ! 2	1 Gasket
4	3688812M1 ● 3689104M1(6)	6 Screw
5	3689057M1	6 Nut
6	3689038M1	1 Gasket
7	3689040M1	6 Spacer
8	3688819M1 ! 1	1 Plug
	● 704956A1(1)	
9	◁ A-05 09 13	1 Spacer
10	◁ A-05 09 19	1 Gasket
11	◁ A-05 07 3	1 Head
12	707730A1	1 Plaque, data
13	555-1 ◀ M8x16 mm	2 Bolt

- ! This is a component of an assembly
- ◁ See page - reference number
- ◀ Length
- Replacement

Engine

X70 Series Tier 4 (2012-2013) - RPE1 - X70.50

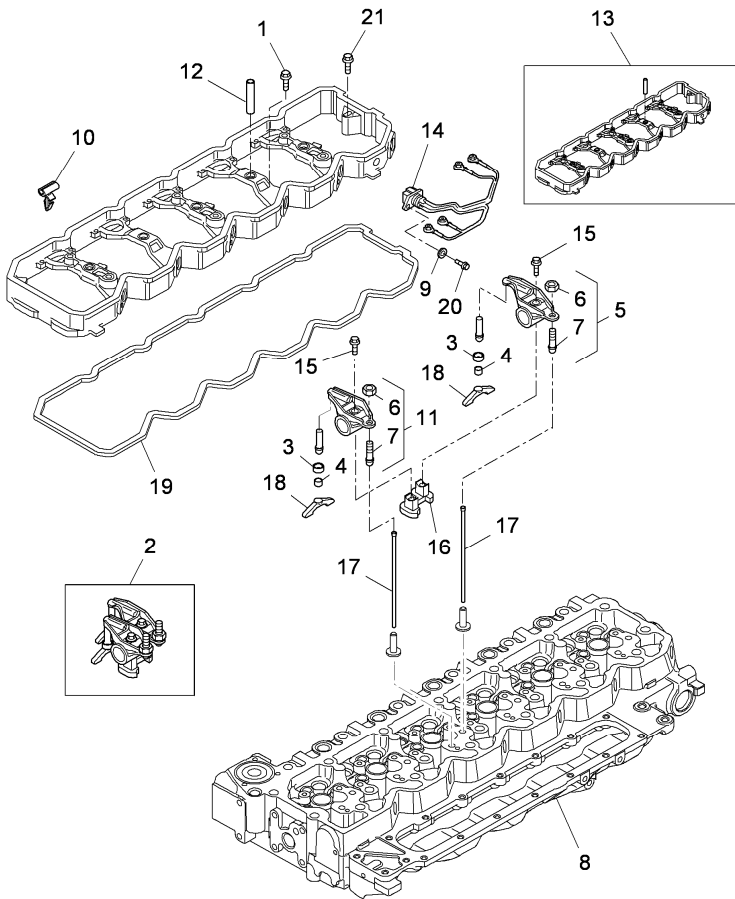
RPE1\00006694.png

A-05
09



A0509

Rocker shaft



		Inglese	
1	3688796M1	▶ M8x70 mm	5 Screw
		● 704858A1(5)	
2	3688820M1	● 6503095M2(1)	6 Shaft
3	6513400M1		12 Cup
4	6513401M1		12 Skate
5	6513402M91		6 Rocker
6	6513403M1		12 Nut
7	6513404M1		12 Screw
8		◁ A-05 07 3	1 Head
9	3688950M1	● 707347A1(3)	3 Lock washer
10	3689037M1	● 705197A1(6)	6 Spring
11	6513405M91		6 Rocker
12	3688871M1	● 705039A1(5)	5
13	3688872M1		1 Spacer
14	3689025M1		3 Cable
15	3688609M1	▶ 37131	12 Screw
		● 704622A1(12)	
15	3688860M1	▶ 37130	12 Screw
		● 707345A1(12)	
16	6513406M1		6 Support
17	3688756M1		12 Rod
18	3688767M1	● 704785A1(12)	12 Axle
19	707423A1	● 3689039M1(1)	1 Gasket
20	3688945M1	▶ M6x16 mm	3 Screw
		● 704572A1(3)	

Engine

X70 Series Tier 4 (2012-2013) - RPE1 - X70.50

RPE1\00006694.png

A-05
09



A0509

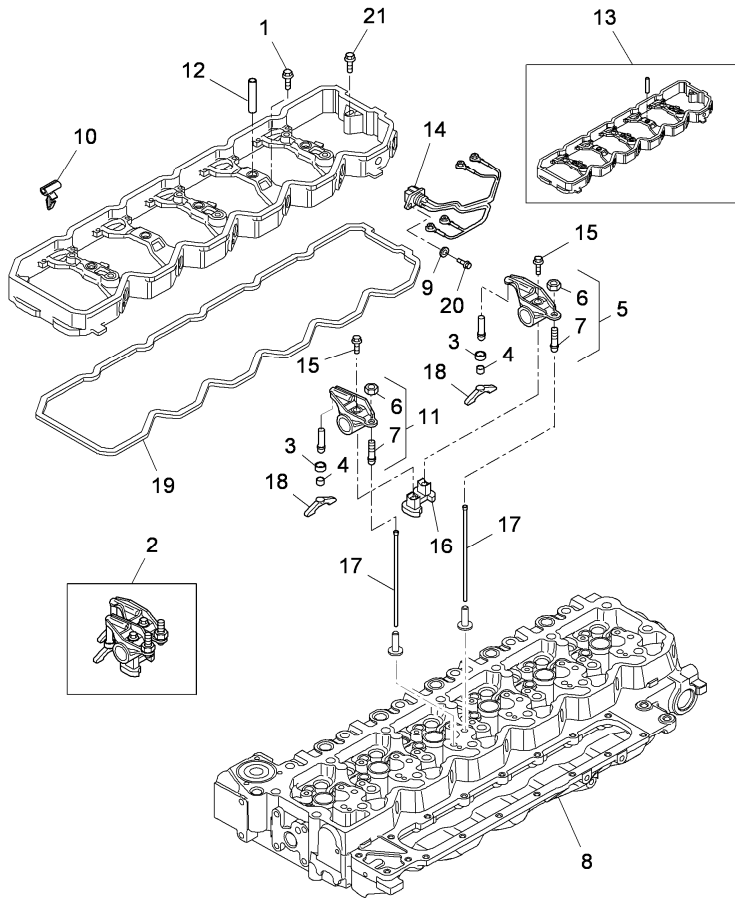
Rocker shaft

Inglese

21 3688863M1 ● 705011A1(2)

2 Screw

- From serial or engine number
- Up to serial or engine number
- See page - reference number
- Length
- Replacement



Engine

X70 Series Tier 4 (2012-2013) - RPE1 - X70.50

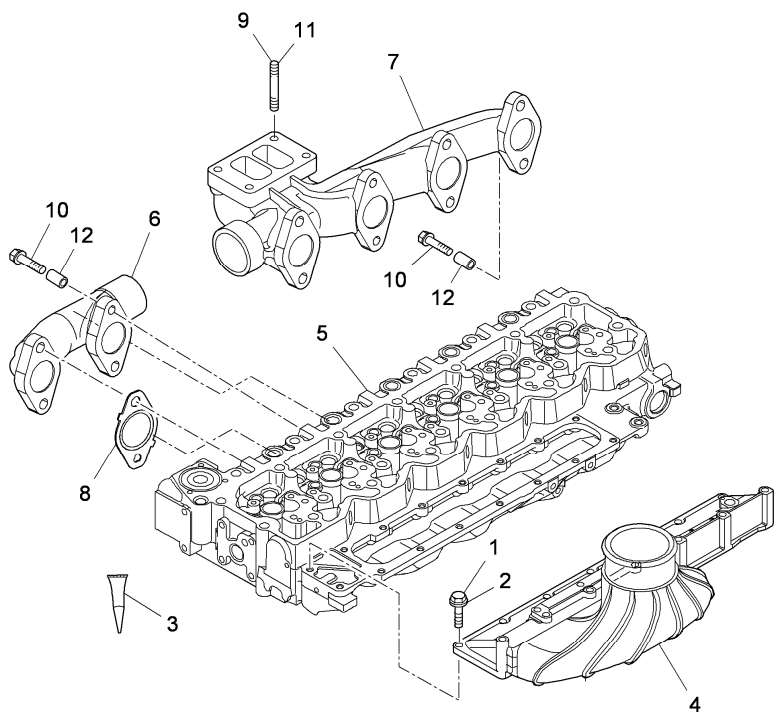
RPE1\00006695.png

**A-05
10**



A0510

Intake and exhaust manifold



		Inglese
1	3688777M1	2 Screw
2	3688850M1	8 Screw
3	6500933M1	999 Loctite
4	3689091M1	1 Duct
5	⊕ A-05 07 3	1 Head
6	3688619M1	1 Manifold
7	3689060M1	1 Manifold
8	3689062M1	6 Gasket
9	3688861M1	3 Screw
10	705316A1	12 Screw
11	3688946M1	1 Screw
12	6513407M1	12 Spacer

⊕	See page - reference number
◄►	Length
●	Replacement
A	Inlet
B	Exhaust

Engine

X70 Series Tier 4 (2012-2013) - RPE1 - X70.50

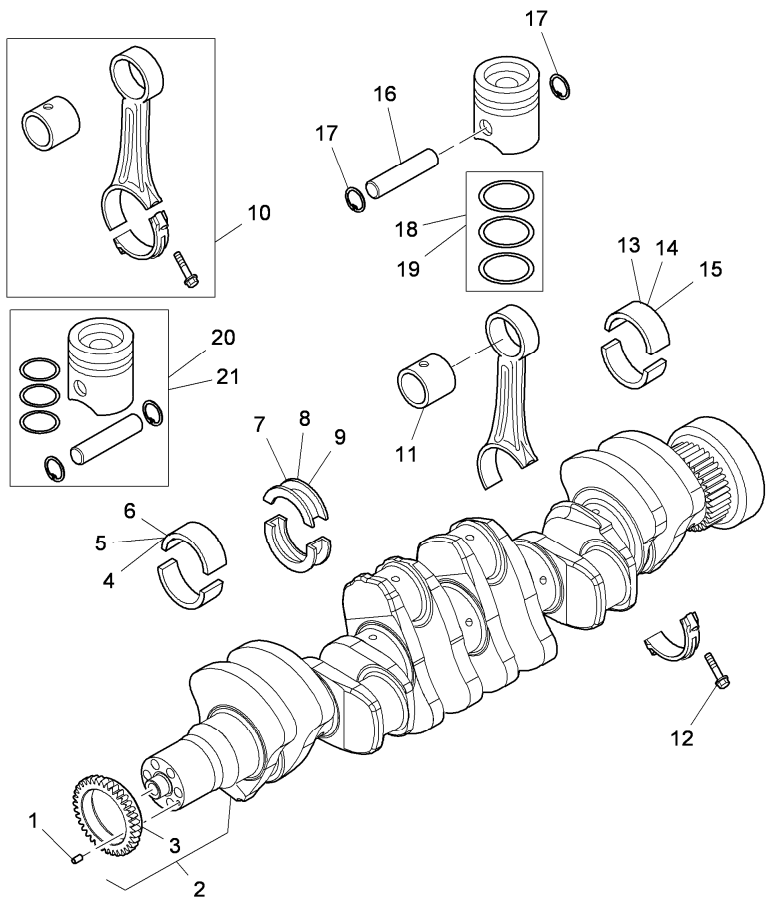
RPE1\00006698.png

A-05
11



A0511

Crank shaft - connecting rods



1	3688851M1	●	704992A1(1)
2	705157A1	●	705157A2(1)
3	704730A1	!	2
4	3688637M1		
5	3688638M1	✕	-0,250 mm
6	3688639M1	✕	-0,500 mm
7	3688634M1		
8	3688635M1	✕	-0,250 mm
9	3688636M1	✕	-0,500 mm
10	3688624M1		
11	3688675M1	!	10
12	3688623M1	!	10
13	3688880M1		
14	4206388M1	✕	-0,250 mm
15	4206389M1	✕	-0,500 mm
16	3688676M1		
17	3689087M1		
18	3688921M1		
19	3688923M92	✕	+0,400 mm
		●	713981A1(6)
20	6513408M91		
21	6513409M91	✕	+0,400 mm

Inglese

1	Dowel pin
1	Shaft
1	Gear
6	Cuscinet
6	Cuscinet
6	Cuscinet
1	Cuscinet
1	Bearing
1	Cuscinet
6	Conrod
1	Bush
2	Screw
6	Cuscinet
6	Cuscinet
6	Cuscinet
6	Cuscinet
12	Ring
6	Kit
6	Kit
6	Piston
6	Piston

- ! This is a component of an assembly
- ✕ Shim
- Replacement

Engine

X70 Series Tier 4 (2012-2013) - RPE1 - X70.50

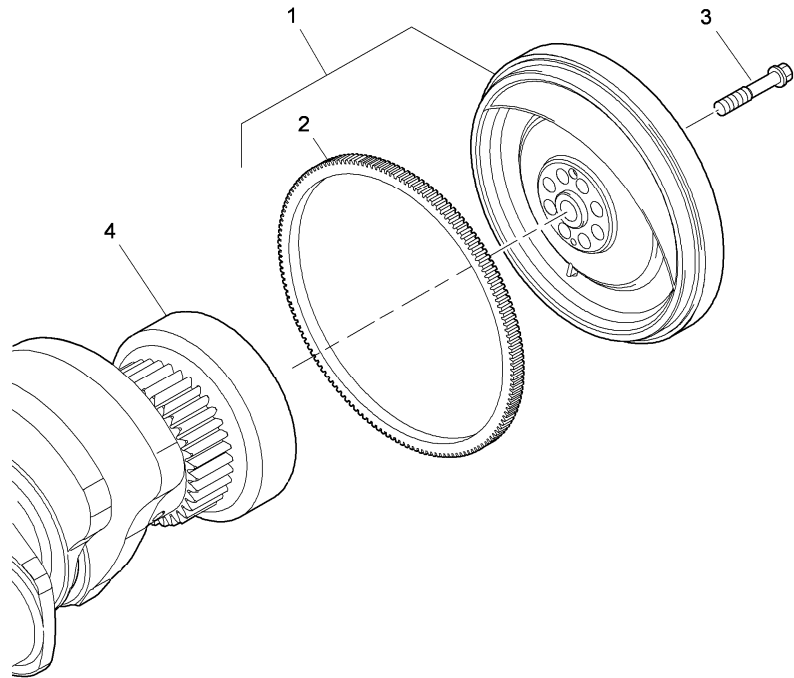
RPE1\00006699.png

A-05
12



A0512

Engine flywhell - damper



- 1 705228A1
- 2 705069A1 ! 1
● N.L.S.(1)
- 3 704752A1
- 4 ⦿ A-05 11 2
- ! This is a component of an assembly
- ⦿ See page - reference number
- Replacement

Inglese

- 1 Flywheel
- 1 Crownwheel
- 8 Screw
- 1 Shaft

Engine

X70 Series Tier 4 (2012-2013) - RPE1 - X70.50

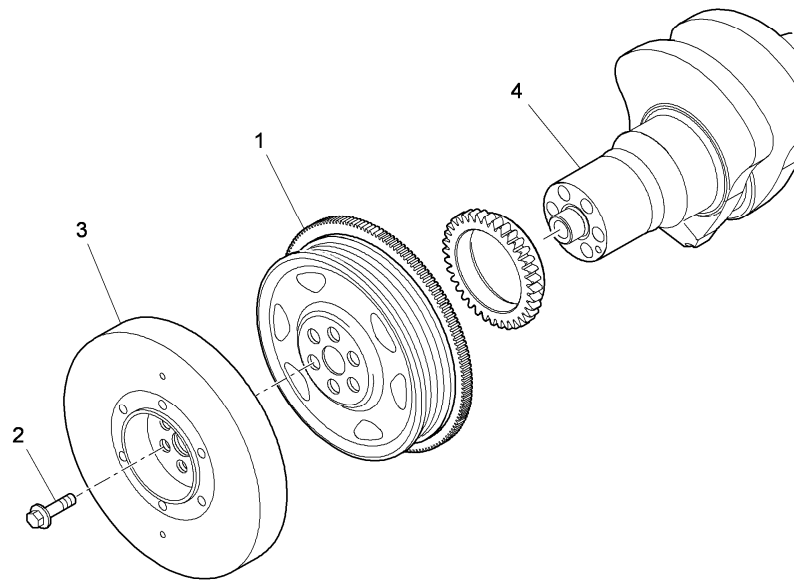
RPE1\00006700.png



A-05
13



A0513

Vibration damper



- 1 704899A1
 - 2 3688681M1
 - 3 704720A1
 - 4  A-05 11 2
-  See page - reference number

Inglese

- 1 Pulley
- 6 Screw
- 1 Kit
- 1 Shaft

Engine

X70 Series Tier 4 (2012-2013) - RPE1 - X70.50

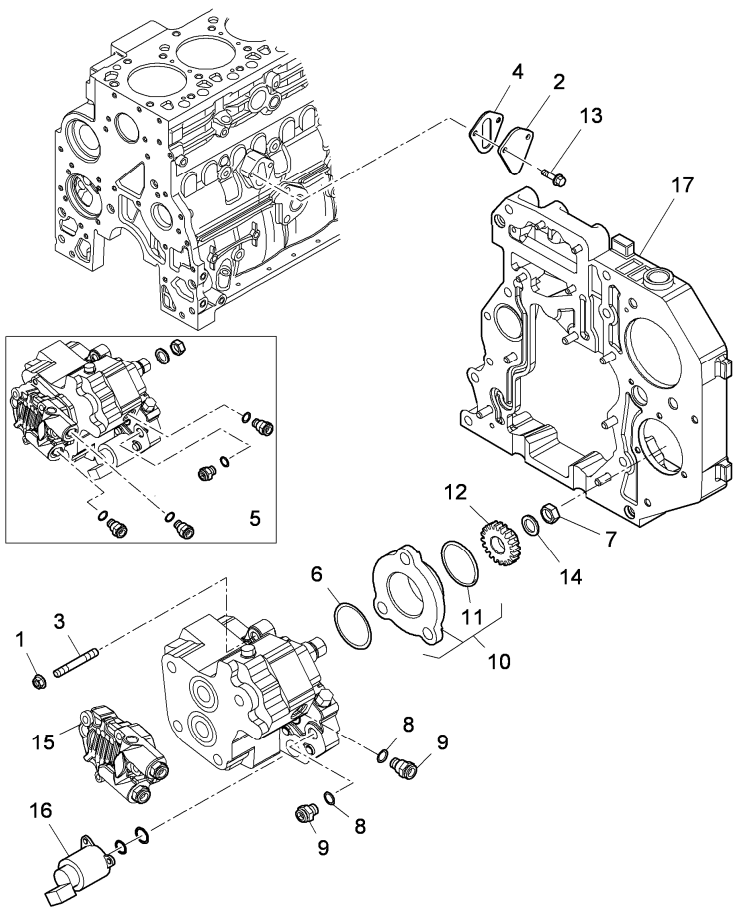
RPE1\00006702.png

**A-05
15**



A0515

Fuel injection equipment



- | | | | | | |
|----|------------|---|-------------|--|--|
| 1 | 706306A1 | | | | |
| 2 | 3688811M1 | ● | 704911A1(1) | | |
| 3 | 704575A1 | ◄ | M8x50 mm | | |
| 4 | 3688642M1 | ● | 704684A1(1) | | |
| 5 | 6513428M91 | ● | 704975A2(1) | | |
| 6 | 3689012M1 | | | | |
| 7 | 3688641M1 | ● | 704682A1(1) | | |
| 8 | 3689015M2 | | | | |
| 9 | 6501374M1 | | | | |
| 10 | 705116A1 | | | | |
| 11 | 704591A1 | ! | 10 | | |
| 12 | 704731A1 | | | | |
| 13 | 3688941M1 | ● | 710625A1(2) | | |
| 14 | 3688990M1 | ● | 707359A1(1) | | |
| 15 | | ◁ | A-05 17 4 | | |
| 16 | | ◁ | A-05 17 1 | | |
| 17 | | ◁ | A-05 04 10 | | |

Inglese

- | | |
|---|-------------|
| 3 | Nut |
| 1 | Coperch. |
| 3 | Stud |
| 1 | Gasket |
| 1 | Pump |
| 1 | O ring |
| 1 | Nut |
| 2 | Gasket |
| 2 | Union |
| 1 | Spacer |
| 1 | Gasket |
| 1 | Pinion |
| 2 | Screw |
| 1 | Washer |
| 1 | Pump |
| 1 | Adjuster |
| 1 | Rotor drive |

- ! This is a component of an assembly
- ◁ See page - reference number
- ◄ Length
- Replacement

Engine

X70 Series Tier 4 (2012-2013) - RPE1 - X70.50

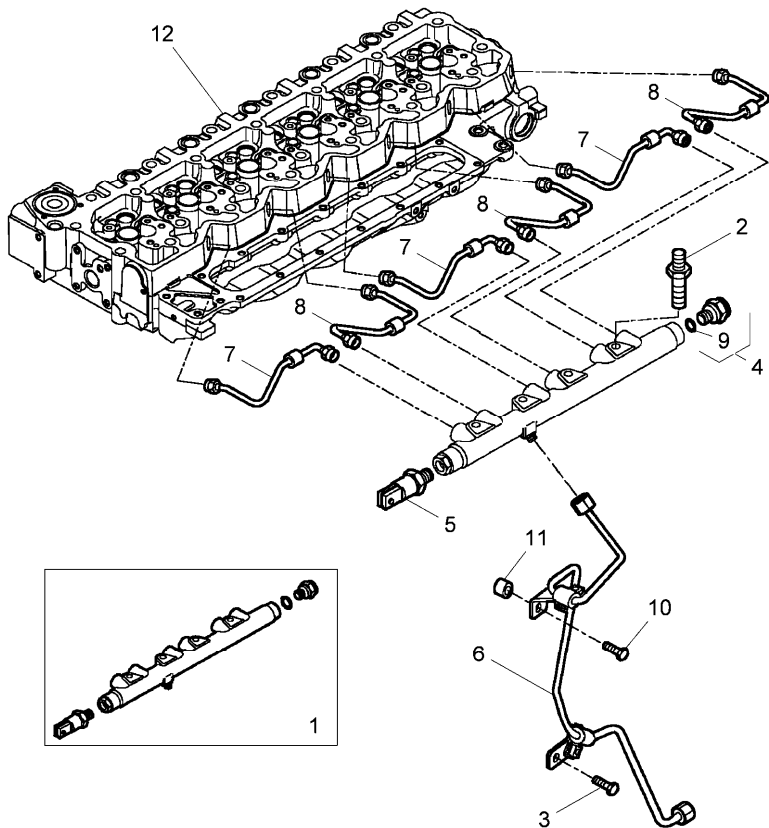
RPE1\00006703.png

**A-05
16**



A0516

Accumulator hydraulic



- 1 3689071M2
 - 2 3689029M1 ● 705148A1(4)
 - 3 710625A1 ◄ M8x20 mm
 - 4 3689078M2 ! 1
 - 5 3689100M2 ! 1
 - 6 4218885M1
 - 7 4218886M1
 - 8 4218887M1
 - 9 4218938M1 ! 4
 - 10 704904A1
 - 11 714693A1
 - 12 ◄ A-05 07 3
- ! This is a component of an assembly
◄ See page - reference number
◄ Length
● Replacement

Inglese

- 1 Accumulator
- 4 Screw
- 1 Bolt
- 1 Valve
- 1 Sensor
- 1 Pipe
- 3 Pipe
- 3 Pipe
- 1 Ring
- 1 Screw
- 1 Spacer
- 1 Head

Engine

X70 Series Tier 4 (2012-2013) - RPE1 - X70.50

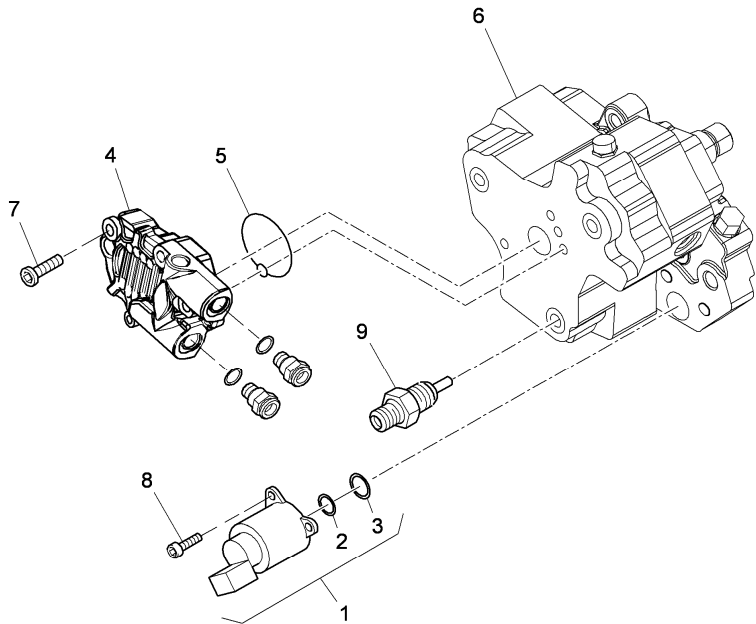
RPE1\00042140.png

**A-05
17**



A0517

Injection pump (componenti)



		Inglese
1	3689009M1	1 Adjuster
2	3689008M1 ! 1	1 O ring
3	3689007M1 ! 1	1 O ring
4	3689010M1 ● 3689010M2(1)	1 Pump
5	6501370M1	1 Ring
6	⦿ A-05 15 5	1 Pump
7	3689112M1 ● 6525662M1(4)	4 Screw
8	3689128M1 ● 6525661M1(3)	3 Screw
9	3689129M1	1 Valve

- ! This is a component of an assembly
- ⦿ See page - reference number
- Replacement

Engine

X70 Series Tier 4 (2012-2013) - RPE1 - X70.50

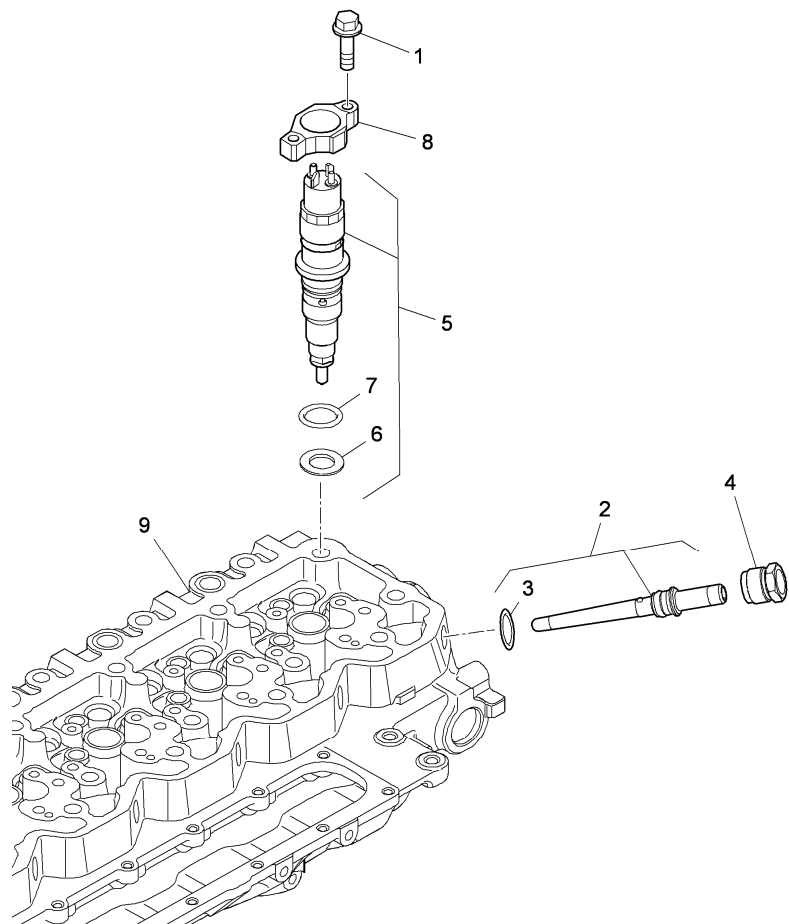
A-05
18



A0518

Nozzles

RPE1\00006706.png



- 1 3688798M1
- 2 3689089M1
- 3 3688649M1 ! 2
- 4 3688688M1
- 5 3689103M1
- 6 3688876M1 ! 5
- 7 3688648M1 ! 5
- 8 3689084M1
- 9 A-05 07 3

Inglese

- 12 Screw
- 6 Pipe
- 1 Ring
- 6 Nut
- 6 Nozzle
- 1 Washer,locking
- 1 Ring
- 1 Stirrup
- 1 Head

! This is a component of an assembly
 See page - reference number

Engine

X70 Series Tier 4 (2012-2013) - RPE1 - X70.50

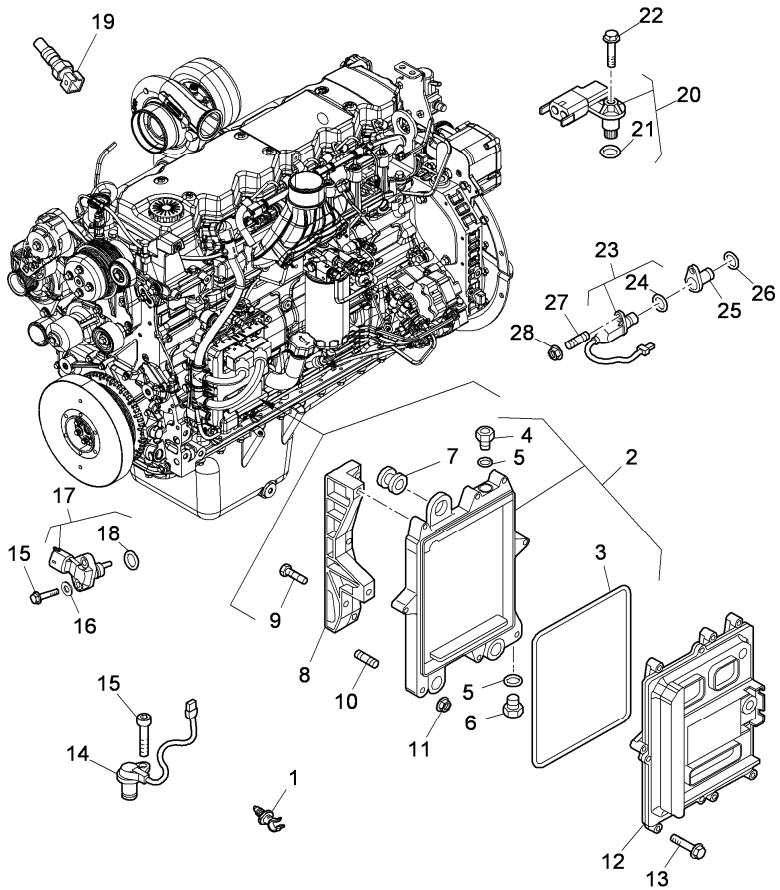
RPE1\00042142.png

**A-05
19**



A0519

Electronic control unit



		Inglese
1	6513422M1	2
2	6513421M91	1 Support
3	704902A1 ! 2	1 Gasket
	● 3689053M1(1)	
4	704894A1 ! 2	1 Coupler
5	3689015M2 ! 2	2 Gasket
6	3688650M1 ! 2	1 Union
7	3689019M1 ! 2	3 Spacer
8	704945A1	1 Stirrup
9	704573A1	3 Insert
10	714709A1	1 Stud
11	714711A1	1 Nut
12	6513420M1 ● N.L.S.(2)	1 Centralizer
13	3688931M1 ◀ M6x30 mm	8 Screw
13	705003A1	3 Screw
14	704677A1 A	1 Sensor
15	3688866M1 ● 705021A1(3)	3 Screw
16	705023A1	2 Washer
17	3688640M1 ● 3688640M2(1)	1 Sensor
	B	
	E	
18	3688797M1 ! 17	1 O ring
19	3688813M1 C	1 Sender
20	6513418M91 D	1 Sensor
	F	

Engine

X70 Series Tier 4 (2012-2013) - RPE1 - X70.50

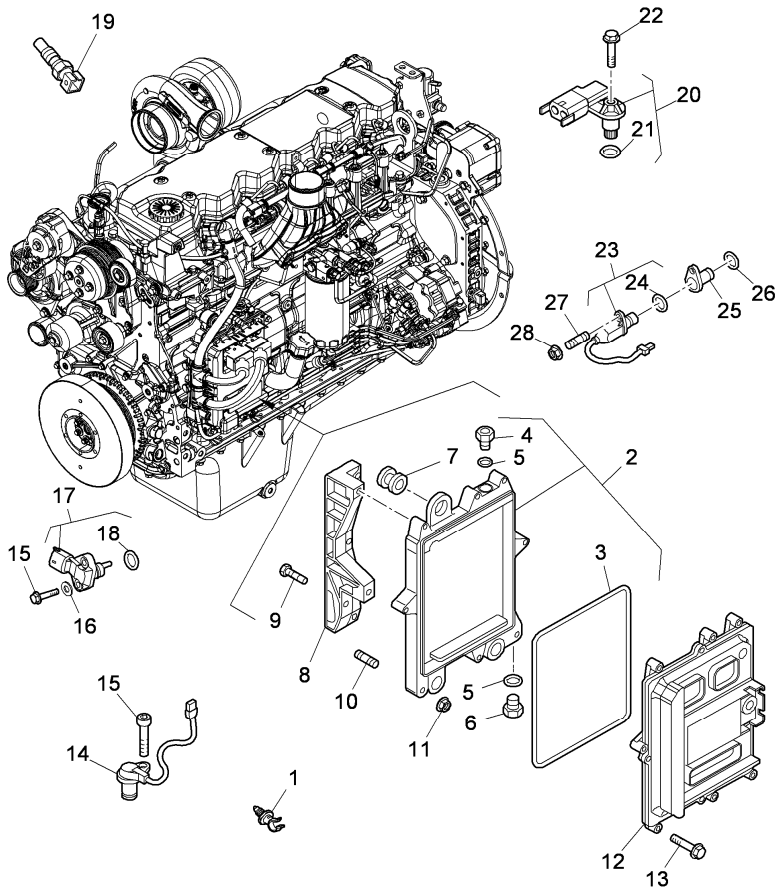
A-05
19



A0519

Electronic control unit

RPE1\00042142.png



Inglese

21	4206392M1	!	20	1	O ring
22	3688801M1			1	Screw
23	707382A1	A		1	Sensor
24	3688993M1	!	23	1	O ring
25	6513423M1			1	Union
26	6513424M1			1	Ring
27	6513419M1			1	Screw
28	714708A1			1	Nut

- ! This is a component of an assembly
- ◄ Length
- Replacement
- A Speed
- B Oil pressure
- C Water temperature
- D Air pressure
- E Oil temperature
- F Temperature

Engine

X70 Series Tier 4 (2012-2013) - RPE1 - X70.50

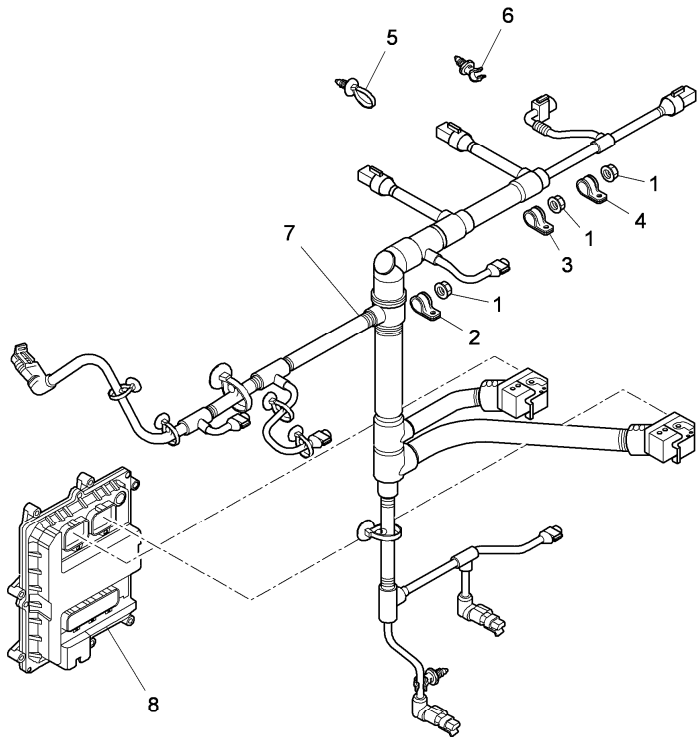
RPE1\00006710.png

A-05
20



A0520

Engine wiring



- 1 3688947M1
- 2 714911A1
- 3 3689001M1 ● 704593A1(1)
- 4 704594A1
- 5 707369A1
- 6 705180A1
- 7 714718A1
- 8 ◁ A-05 19 12

◁ See page - reference number
 ● Replacement

Inglese

- 3 Nut
- 1 Stirrup
- 1 Stirrup
- 1 Stirrup
- 1 Clip
- 1 Clip
- 1 Harness
- 1 Electronic unit control



Suggest:

For more complete manuals. Please go to the home page.

<https://www.ebooklibonline.com>

If the above button click is invalid. Please download this document first, and then click the above link to download the complete manual.

Thank you so much for reading

Engine

X70 Series Tier 4 (2012-2013) - RPE1 - X70.50

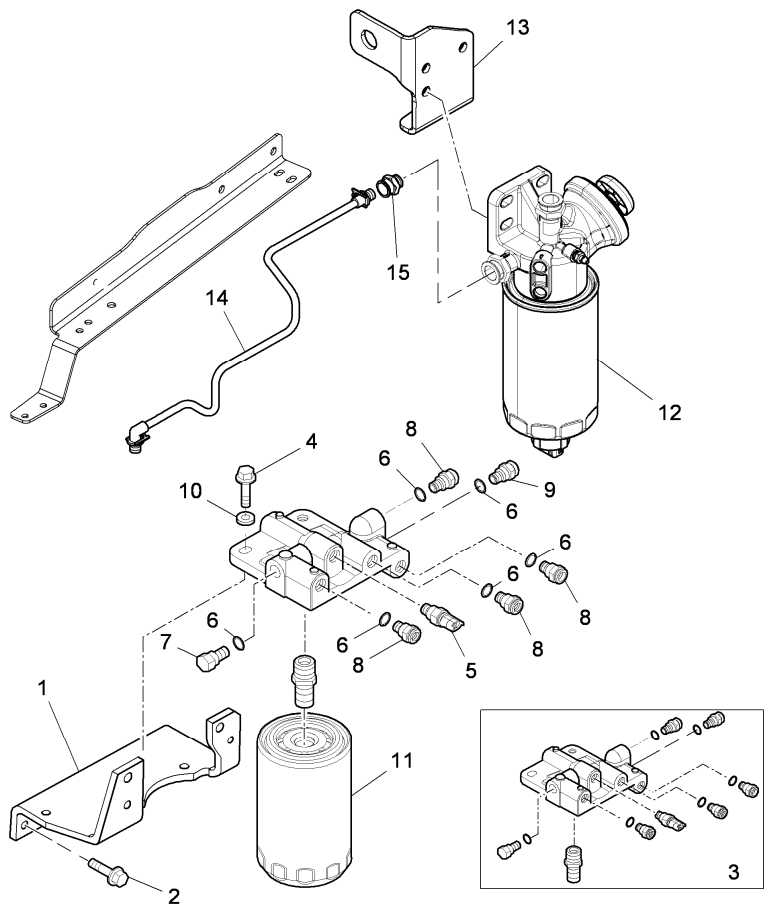
RPE1\00042145.png

A-05
21



A0521

Fuel filter



- 1 4218939M1
- 2 710625A1 ◀▶ M8x20 mm
- 3 705297A1
- 4 704647A1
- 5 3688813M1
- 6 3688754M1
- 7 704734A1
- 8 3688650M1
- 9 3688808M1 ● 704895A1(1)
- 10 704645A1
- 11 6513425M1
- 12 ◁ C-32 75 1
- 13 ◁ C-32 75 15
- 14 ◁ C-32 73 37
- 15 ◁ C-32 73 39

Inglese

- 1 Support
- 4 Screw
- 1 Support
- 2 Screw
- 1 Sender
- 6 Ring
- 1 Plug
- 4 Union
- 1 Union
- 2 Washer
- 1 Cartridge
- 1 Pre filter
- 1 Support
- 1 Pipe
- 1 Connector

- ◁ See page - reference number
- ◀▶ Length
- Replacement

Engine

X70 Series Tier 4 (2012-2013) - RPE1 - X70.50

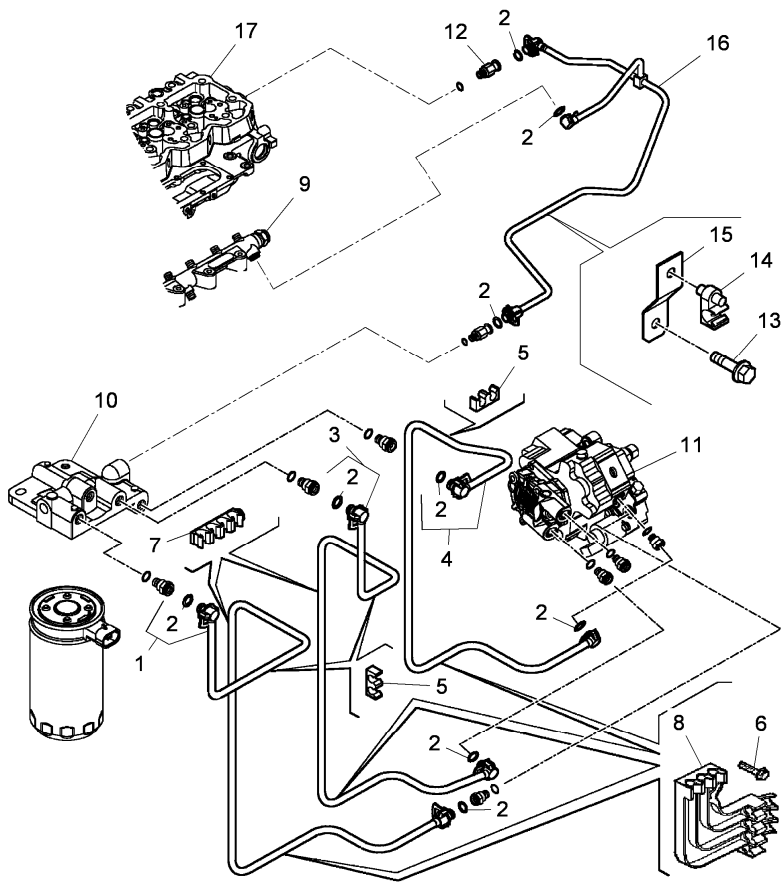
RPE1\00042146.png

A-05
22



A0522

Fuel lines



- 1 707440A1
- 2 3688690M1
- 3 707441A1
- 4 707442A1
- 5 6513427M1
- 6 3688817M1 ● 704929A1(1)
- 7 6513429M1
- 8 6513426M1 ● 6525650M1(2)
- 9 ◊ A-05 16 1
- 10 ◊ A-05 21 3
- 11 ◊ A-05 15 5
- 12 3688806M1
- 13 3688932M1 ◄ M8x16 mm
- 14 705191A1
- 15 705352A1
- 16 714715A1
- 17 ◊ A-05 07 3

Inglese

- 1 Pipe
- 9 O ring
- 1 Pipe
- 1 Pipe
- 3 Spring
- 1 Screw
- 2 Spring
- 1 Stirrup
- 1 Accumulator
- 1 Support
- 1 Pump
- 1 Valve
- 1 Screw
- 1 Clip
- 1 Stirrup
- 1 Pipe
- 1 Head

- ◊ See page - reference number
- ◄ Length
- Replacement

<https://www.ebooklibonline.com>

Hello dear friend!

Thank you very much for reading.

Enter the link into your browser.

The full manual is available for immediate download.

<https://www.ebooklibonline.com>