

Engine

X70 Series Tier 4 (2012-2013) - RPE1 - X70.40

RPE1\00042127.png

A-05  
01



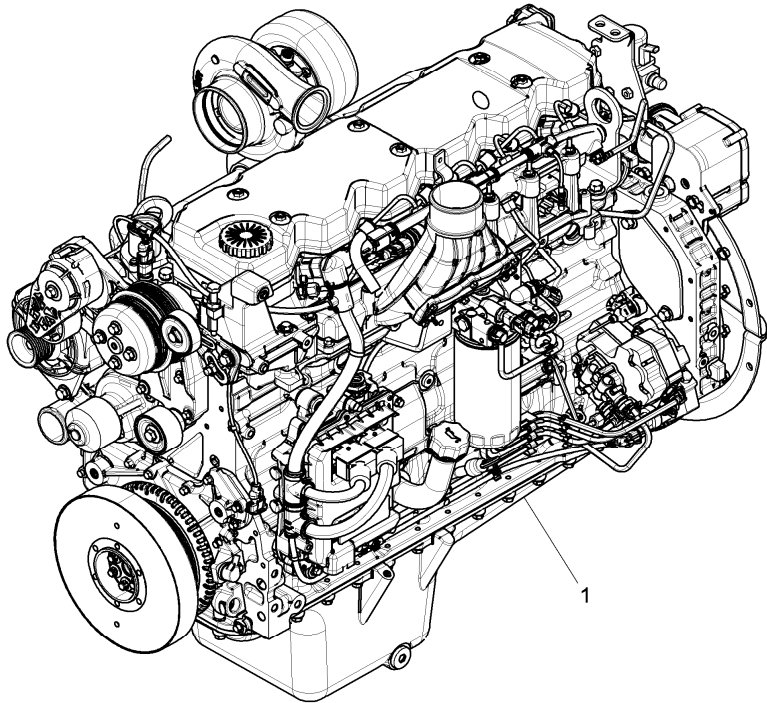
A0501

Engine assembly

1 6509668M91

"fpt nef" 122 kw

Inglese  
1 Engine



Engine

X70 Series Tier 4 (2012-2013) - RPE1 - X70.40

RPE1\00041500.png

A-05  
015



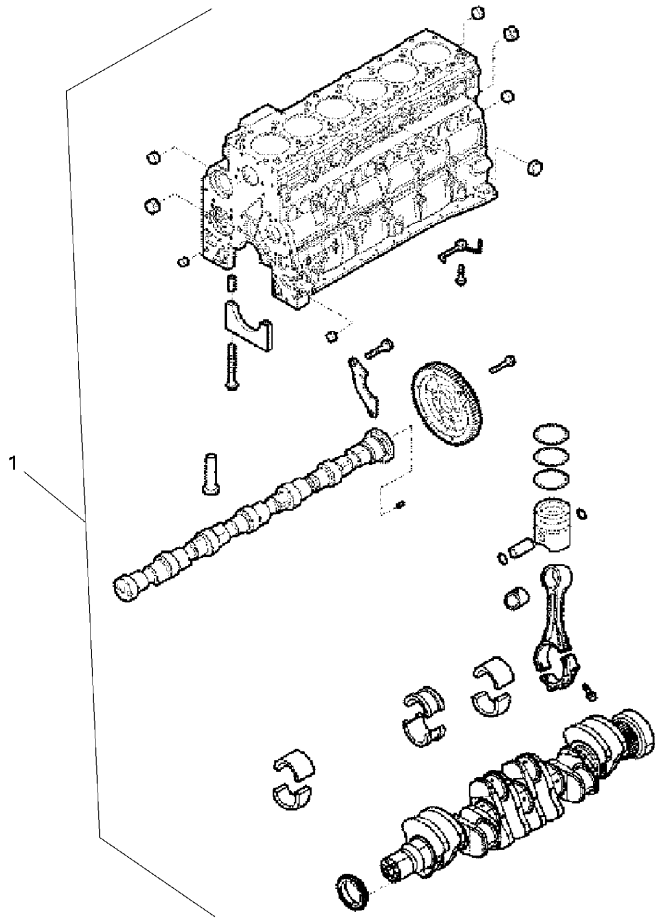
A05015

Short engine

1 6513390M91

Inglese

1 Short engine



Engine

X70 Series Tier 4 (2012-2013) - RPE1 - X70.40

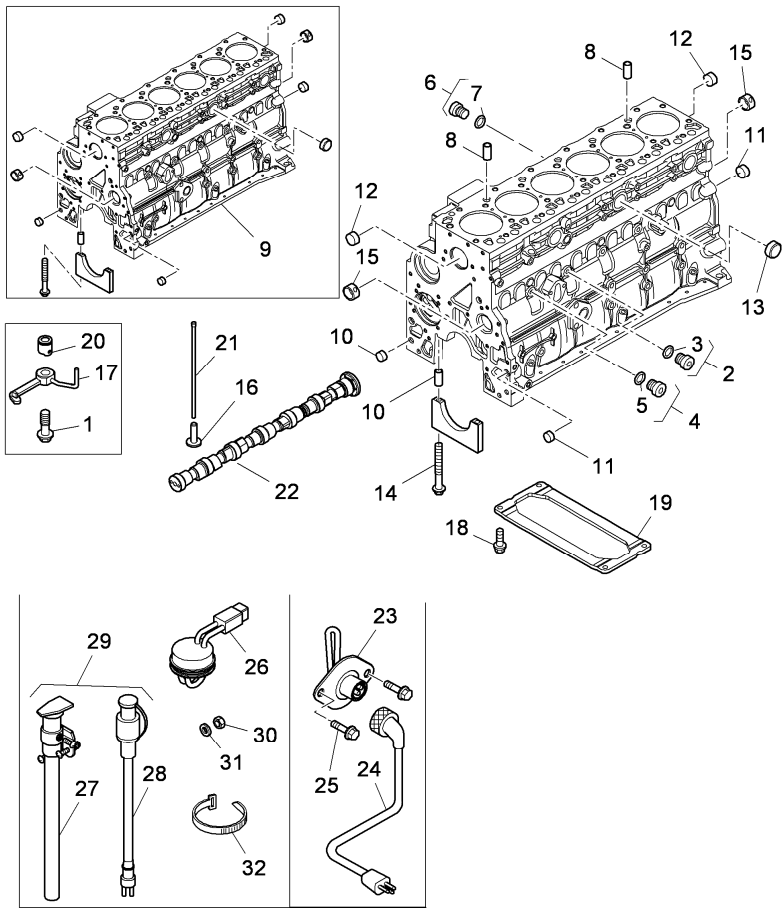
RPE1\00006683.png

A-05  
02



A0502

Crankcase



|    |           | Inglese         |
|----|-----------|-----------------|
| 1  | 3688692M1 | 6 Filler        |
| 2  | 3689350M1 | 2 Plug          |
| 3  | 3688868M1 | 1 O ring        |
| 4  | 3688822M1 | 2 Plug          |
| 5  | 3688855M1 | 1 O ring        |
| 6  | 3688780M1 | 3 Plug          |
| 7  | 3688781M1 | 1 O ring        |
|    |           | 707405A1(1)     |
| 8  | 3688760M1 | 2 Dowel pin     |
| 9  | 704604A1  | 1 Crankcase     |
| 10 | 3688824M1 | 14 Dowel pin    |
|    |           | 704983A1(14)    |
| 11 | 3688758M1 | 3 Plug          |
|    |           | 17,73x6,35x1,07 |
| 12 | 3688757M1 | 6 Plug          |
|    |           | 58,06x8,25x1,52 |
| 13 | 3688775M1 | 3 Plug          |
|    |           | 35,23x7,94x1,52 |
| 14 | 3688673M1 | 14 Screw        |
|    |           | M12x120 mm      |
|    |           | 704696A1(14)    |
| 15 | 3688759M1 | 1 Bearing       |
| 16 | 3688877M1 | 12 Platform     |
| 17 | 3689030M1 | 6 Splasher      |
| 18 | 704985A1  | 4 Bolt          |
|    |           | M10x25 mm       |

**<https://www.ebooklibonline.com>**

Hello dear friend!

Thank you very much for reading.

Enter the link into your browser.

The full manual is available for immediate download.

**<https://www.ebooklibonline.com>**

Engine

X70 Series Tier 4 (2012-2013) - RPE1 - X70.40

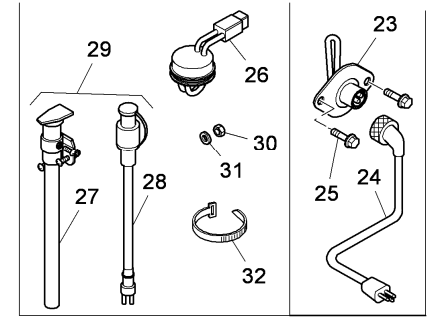
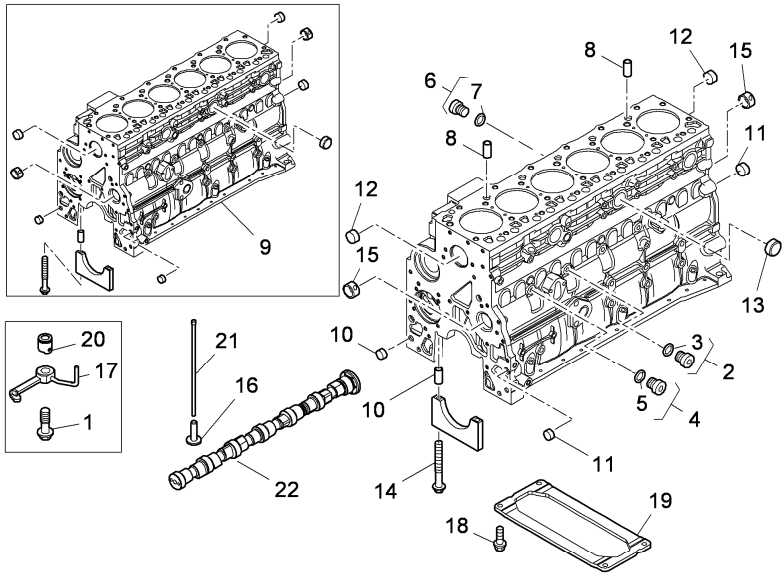
RPE1\00006683.png

A-05  
02



A0502

Crankcase



- 19 705218A1
- 20 A-05 11 20
- 21 A-05 09 17
- 22 A-05 14 5
- 23 706388A1 A
- 24 J905113 A
- 25 844-8020 M8x20 mm
- A
- 26 706389A1 B
- 27 314722A1 ! 29
- 28 314723A1 ! 29
- 29 313126A2 314722A1(1),  
314723A1(1)
- B
- 30 825-1405 390995X1(1)
- B
- 31 893-16005 B
- 32 289862C1 B
- ! This is a component of an assembly
- See page - reference number
- Length
- Replacement
- A For market "n.a.o."
- B Excluded "n.a.o." market

Inglese

- 1 Plate
- 6 Piston
- 12 Rod
- 1 Camshaft
- 1 Heater
- 1 Cable
- 2 Bolt
- A
- 1 Heater
- 1 Cable
- 1 Cable
- 1 Cable
- 1 Nut
- B
- 2 Washer
- 3 Clamp

Engine

X70 Series Tier 4 (2012-2013) - RPE1 - X70.40

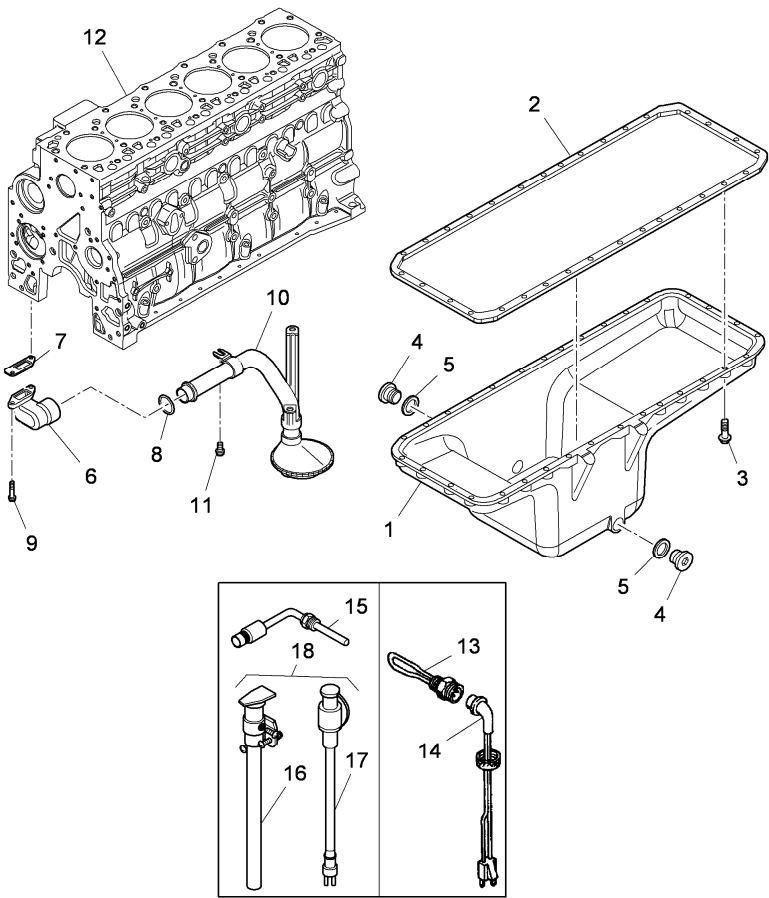
RPE1\00006684.png

A-05  
03



A0503

Oil sump



Inglese

|    |           |                               |    |         |
|----|-----------|-------------------------------|----|---------|
| 1  | 705252A1  |                               | 1  | Housing |
| 2  | 705082A1  |                               | 1  | Gasket  |
| 3  | 3688942M1 | ◄ M8x30 mm                    | 32 | Screw   |
|    |           | ● 706309A1(32)                |    |         |
| 4  | 3688691M1 |                               | 2  | Plug    |
| 5  | 3688997M1 |                               | 2  | O ring  |
| 6  | 705185A1  |                               | 1  | Insert  |
| 7  | 704957A1  |                               | 1  | Gasket  |
| 8  | 704589A1  |                               | 1  | Gasket  |
| 9  | 710626A1  | ◄ M8x25 mm                    | 2  | Screw   |
| 10 | 705298A1  |                               | 1  | Pipe    |
| 11 | 704827A1  | ◄ M10x20 mm                   | 1  | Screw   |
| 12 |           | ◁ A-05 02 9                   | 1  | Housing |
| 13 | J904380   | A                             | 1  | Heater  |
| 14 | J905113   | A                             | 1  | Cable   |
| 15 | 706391A1  | B                             | 1  | Heater  |
| 16 | 314722A1  | ! 18                          | 1  | Cable   |
| 17 | 314723A1  | ! 18                          | 1  | Cable   |
| 18 | 313126A2  | ● 314722A1(1),<br>314723A1(1) | 1  | Cable   |

B

- ! This is a component of an assembly
- ◁ See page - reference number
- ◄ Length
- Replacement
- A N.a.o. market

Engine

X70 Series Tier 4 (2012-2013) - RPE1 - X70.40

A-05  
03

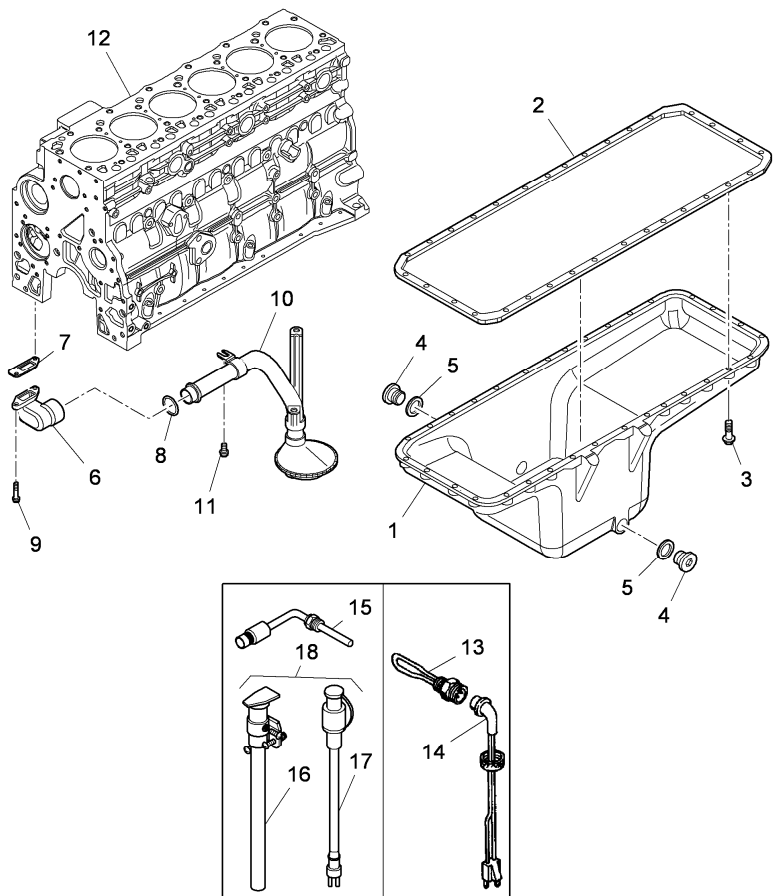


A0503

Oil sump

RPE1\00006684.png

B Excluded "n.a.o." market



Engine

X70 Series Tier 4 (2012-2013) - RPE1 - X70.40

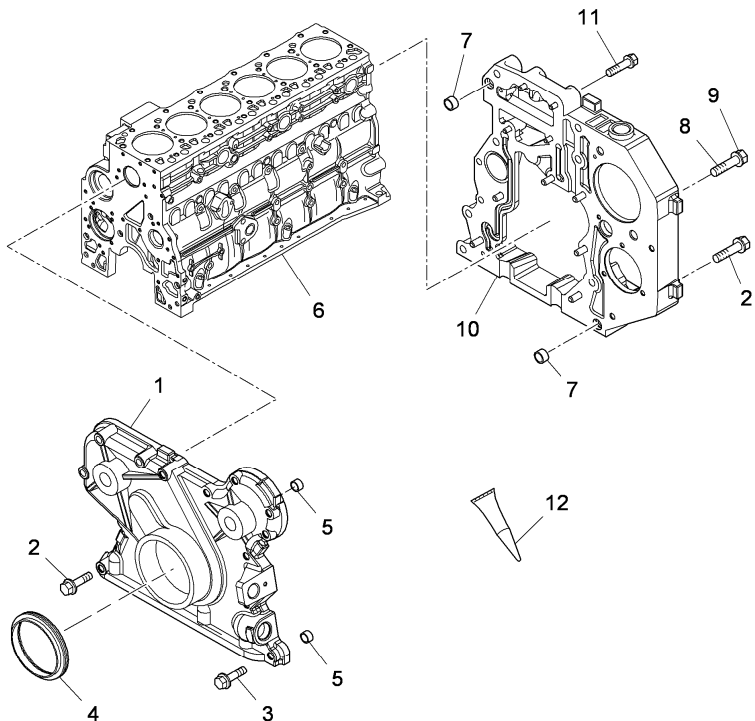
RPE1\00006689.png

**A-05  
04**



A0504

Crankcase covers



- |    |           | Inglese                     |
|----|-----------|-----------------------------|
| 1  | 704913A1  | 1 Cover                     |
| 2  | 705003A1  | 9 Screw                     |
| 3  | 3688853M1 | 8 Screw                     |
| 4  | 6513391M1 | 1 Ring                      |
| 5  | 704693A1  | 2 Stud                      |
| 6  |           | 1 Crankcase                 |
| 7  | 3688824M1 | 2 Dowel pin                 |
| 8  | 705015A1  | 2 Screw                     |
| 9  | 704999A1  | 1 Screw                     |
| 10 | 6513392M1 | 1 Box                       |
| 11 | 704910A1  | 3 Screw                     |
| 12 | 3688632M1 | 3688632M2(999) 999 Adhesive |
- ◁ See page - reference number  
 ▶ Length  
 ● Replacement

Engine

X70 Series Tier 4 (2012-2013) - RPE1 - X70.40

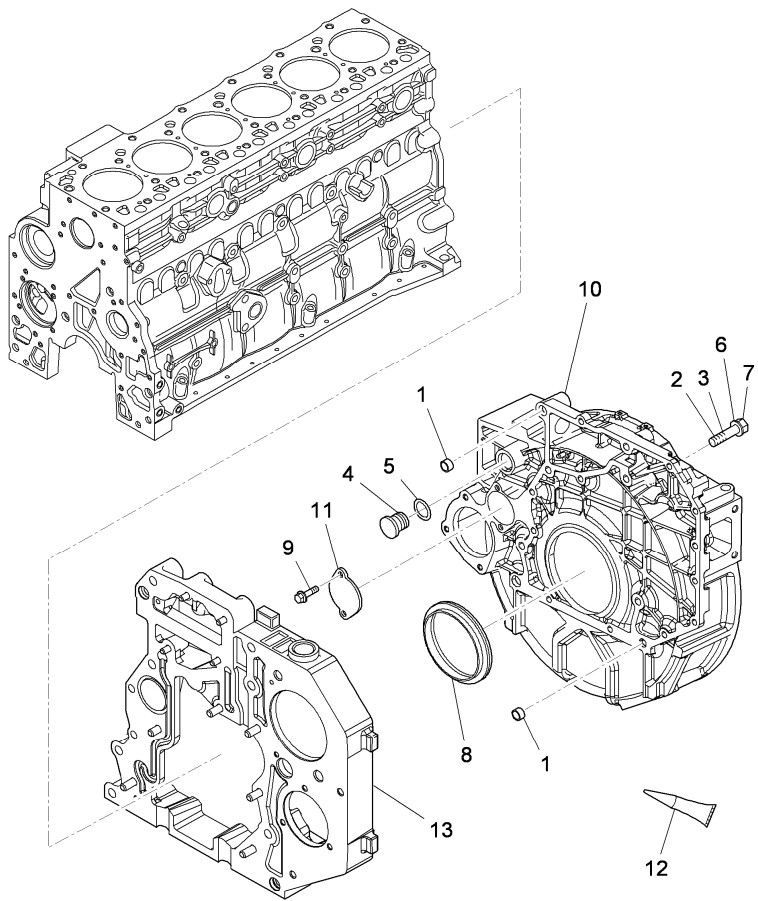
RPE1\00006690.png

**A-05  
05**



A0505

Flywheel housing



|    |           | Inglese                     |
|----|-----------|-----------------------------|
| 1  | 3688824M1 | ● 704983A1(2)               |
| 2  | 705020A1  | ◄ M10x80 mm                 |
| 3  | 712165A1  | ◄ M10x40 mm                 |
| 4  | 704847A1  |                             |
| 5  | 714949A1  |                             |
| 6  | 705002A1  | ◄ M12x80 mm                 |
| 7  | 4219091M1 |                             |
| 8  | 6514306M1 | 155x130x16                  |
| 9  | 3688854M1 | ◄ M8x17 mm                  |
|    |           | ● 704997A1(2)               |
| 10 | 705098A1  |                             |
| 11 | 704799A1  |                             |
| 12 | 3688632M1 | ● 3688632M2(999)            |
| 13 |           | ◄ A-05 04 10                |
|    | ◄         | See page - reference number |
|    | ◄         | Length                      |
|    | ●         | Replacement                 |
|    |           | 2 Dowel pin                 |
|    |           | 2 Screw                     |
|    |           | 10 Screw                    |
|    |           | 1 Plug                      |
|    |           | 1 O ring                    |
|    |           | 6 Screw                     |
|    |           | 2 Screw                     |
|    |           | 1 Ring                      |
|    |           | 2 Screw                     |
|    |           | 1 Cover                     |
|    |           | 1 Cover                     |
|    |           | 999 Adhesive                |
|    |           | 1 Box                       |

Engine

X70 Series Tier 4 (2012-2013) - RPE1 - X70.40

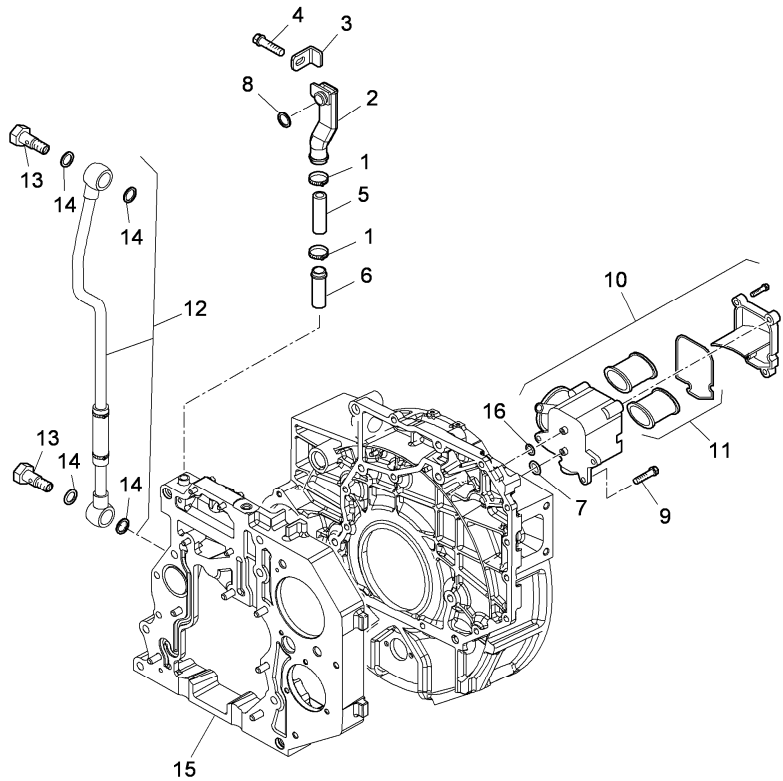
RPE1\00042132.png

**A-05  
06**



A0506

Engine breathers



|    |            | Inglese    |
|----|------------|------------|
| 1  | 6513395M1  | 2 Collar   |
| 2  | 704935A1   | 1 Pipe     |
| 3  | 704936A1   | 1 Bracket  |
| 4  | 704937A1   | 1 Screw    |
| 5  | 6513393M1  | 1 Manicott |
| 6  | 704940A1   | 1 Union    |
| 7  | 704960A1   | 1 Gasket   |
| 8  | 704962A1   | 1 Seal     |
| 9  | 705014A1   | 3 Screw    |
| 10 | 6513394M91 | 1 Breather |
| 11 | 707340A1   | 1 Kit      |
| 12 | 705029A1   | 1 Pipe     |
| 13 | 3688929M1  | 2 Filler   |
| 14 | 3688878M1  | 4 Gasket   |
| 15 |            | 1 Box      |
| 16 | 714672A1   | 1 Ring     |

- ! This is a component of an assembly
- ◁ See page - reference number
- Replacement

Engine

X70 Series Tier 4 (2012-2013) - RPE1 - X70.40

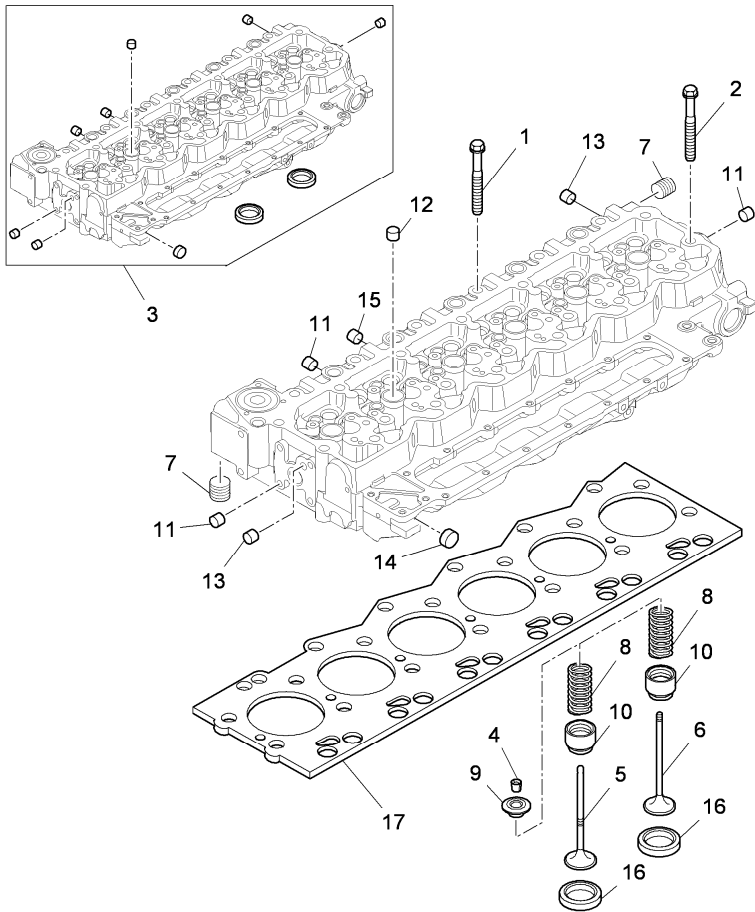
**A-05  
07**



A0507

Head cylinder

RPE1\00006692.png



**Inglese**

|    |            |    |                  |    |               |
|----|------------|----|------------------|----|---------------|
| 1  | 3688651M1  | ◄► | M12x130 mm       | 12 | Screw         |
| 2  | 3688652M1  | ◄► | M12x150 mm       | 14 | Screw         |
| 3  | 6513396M91 |    |                  | 1  | Cylinder head |
| 4  | 3688858M1  | !  | 3                | 48 | Cone          |
| 5  | 3688761M1  | !  | 3                | 12 | Valve         |
| 6  | 3688762M1  | !  | 3                | 12 | Valve         |
| 7  | 3688683M1  | !  | 3                | 1  | Plug          |
| 8  | 6513397M1  |    |                  | 24 | Spring        |
| 9  | 3688766M1  | !  | 3                | 24 | Cup           |
| 10 | 3688622M1  | !  | 3                | 24 | Cap           |
| 11 | 3688768M1  | !  | 3                | 13 | Plug          |
| 12 | 3688769M1  | !  | 3                |    |               |
|    |            |    | 25,74x8,13x1,27  | 11 | Plug          |
|    |            |    | 22,5 mm x 1,27 m |    |               |
| 13 | 3688782M1  | !  | 3                | 7  | Plug          |
| 14 | 3688794M1  | !  | 3                | 2  | Plug          |
| 15 | 3688795M1  | !  | 3                | 2  | Plug          |
| 16 | 704914A1   | !  | 3                | 12 | Valve seat    |
| 16 | 704914A1   | !  | 3                | 12 | Valve seat    |
| 17 | 3688616M1  | !  | 3                | 1  | Gasket        |

! This is a component of an assembly

◄► Length

Engine

X70 Series Tier 4 (2012-2013) - RPE1 - X70.40

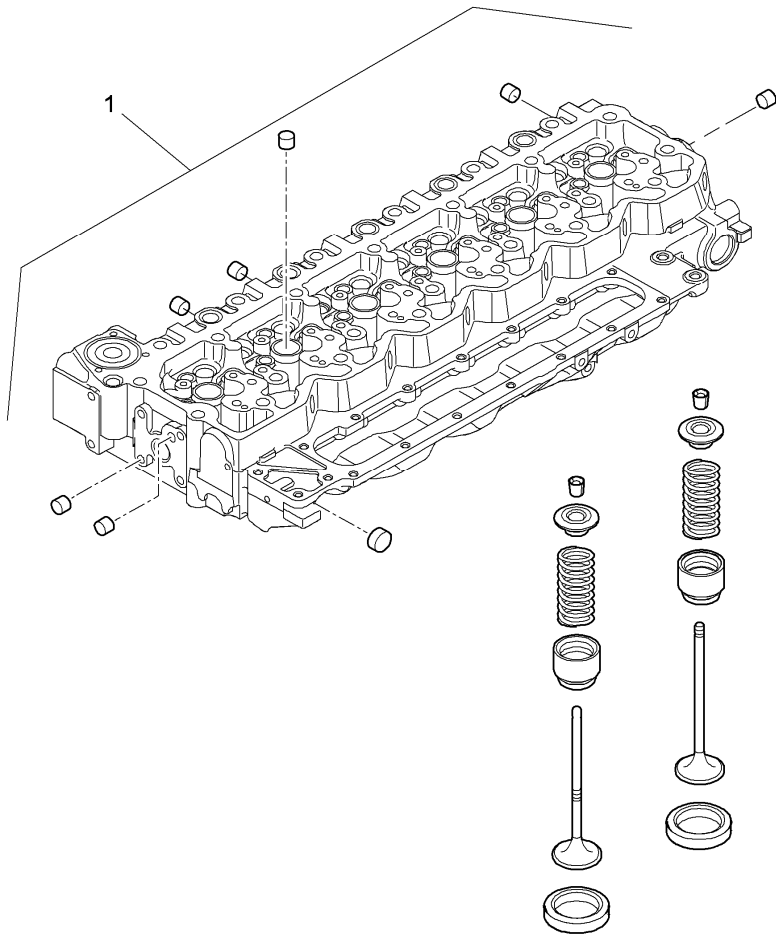
RPE1\00041517.png

A-05  
075



A05075

Cylinder head



- 1 6501968M91 ● 704660A1(1)
- Replacement

Inglese

- 1 Cylinder head

Engine

X70 Series Tier 4 (2012-2013) - RPE1 - X70.40

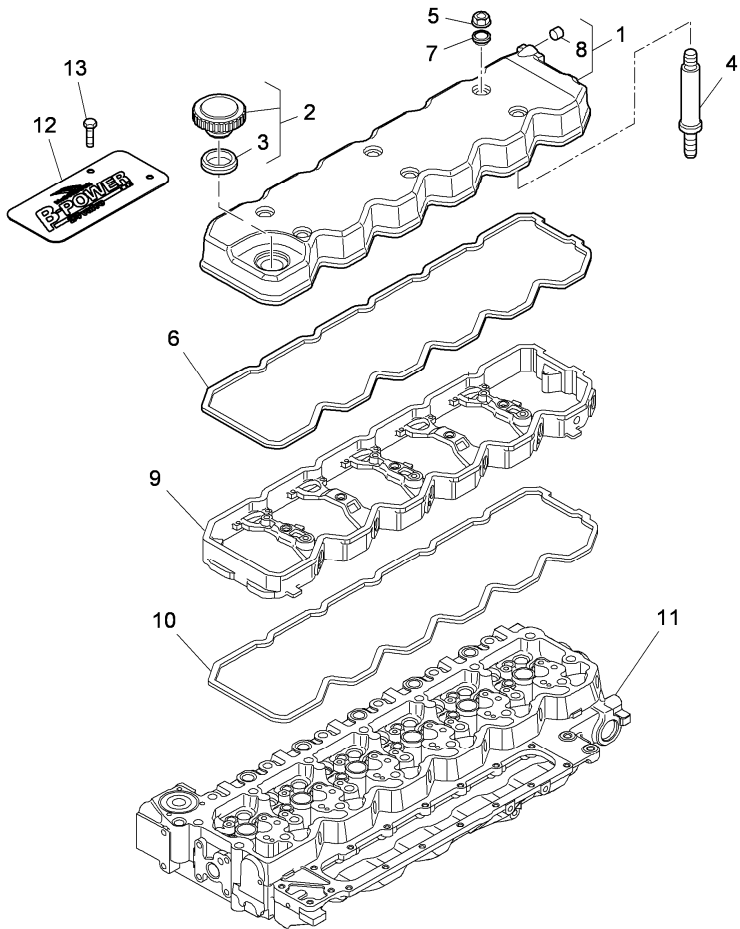
RPE1\00006693.png

A-05  
08



A0508

Cylinder head cover



|    |                          | Inglese        |
|----|--------------------------|----------------|
| 1  | 6513398M91               | 1 Coperch.     |
| 2  | 6513399M91               | 1 Plug         |
| 3  | 3689016M1 ! 2            | 1 Gasket       |
| 4  | 3688812M1 ● 3689104M1(6) | 6 Screw        |
| 5  | 3689057M1                | 6 Nut          |
| 6  | 3689038M1                | 1 Gasket       |
| 7  | 3689040M1                | 6 Spacer       |
| 8  | 3688819M1 ! 1            | 1 Plug         |
|    | ● 704956A1(1)            |                |
| 9  | ◁ A-05 09 13             | 1 Spacer       |
| 10 | ◁ A-05 09 19             | 1 Gasket       |
| 11 | ◁ A-05 07 3              | 1 Head         |
| 12 | 707730A1                 | 1 Plaque, data |
| 13 | 555-1 ◄ M8x16 mm         | 2 Bolt         |

- ! This is a component of an assembly
- ◁ See page - reference number
- ◄ Length
- Replacement

Engine

X70 Series Tier 4 (2012-2013) - RPE1 - X70.40

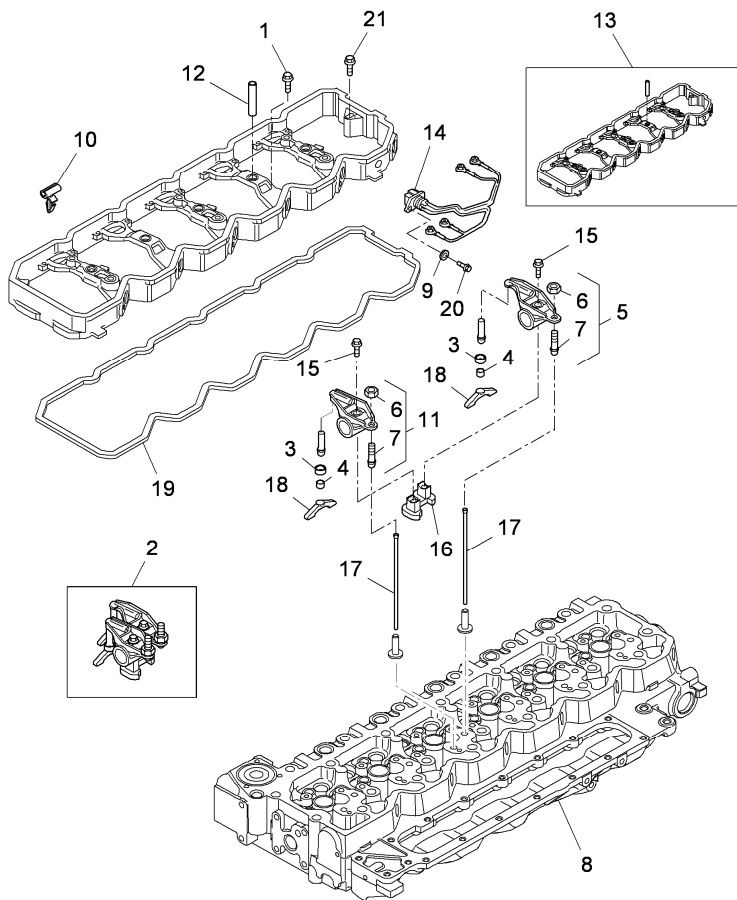
RPE1\00006694.png

A-05  
09



A0509

Rocker shaft



- |    |            |    |              |    |             |
|----|------------|----|--------------|----|-------------|
| 1  | 3688796M1  | ◄► | M8x70 mm     | 5  | Screw       |
| 2  | 3688820M1  | ●  | 704858A1(5)  | 6  | Shaft       |
| 3  | 6513400M1  | ●  | 6503095M2(1) | 12 | Cup         |
| 4  | 6513401M1  |    |              | 12 | Skate       |
| 5  | 6513402M91 |    |              | 6  | Rocker      |
| 6  | 6513403M1  |    |              | 12 | Nut         |
| 7  | 6513404M1  |    |              | 12 | Screw       |
| 8  |            | ◊  | A-05 07 3    | 1  | Head        |
| 9  | 3688950M1  | ●  | 707347A1(3)  | 3  | Lock washer |
| 10 | 3689037M1  | ●  | 705197A1(6)  | 6  | Spring      |
| 11 | 6513405M91 |    |              | 6  | Rocker      |
| 12 | 3688871M1  | ●  | 705039A1(5)  | 5  |             |
| 13 | 3688872M1  |    |              | 1  | Spacer      |
| 14 | 3689025M1  |    |              | 3  | Cable       |
| 15 | 3688609M1  | ➔  | 37131        | 12 | Screw       |
| 15 | 3688860M1  | ●  | 704622A1(12) | 12 | Screw       |
| 15 | 3688860M1  | ➔  | 37130        | 12 | Screw       |
| 15 | 3688860M1  | ●  | 707345A1(12) | 12 | Screw       |
| 16 | 6513406M1  |    |              | 6  | Support     |
| 17 | 3688756M1  |    |              | 12 | Rod         |
| 18 | 3688767M1  | ●  | 704785A1(12) | 12 | Axle        |
| 19 | 707423A1   | ●  | 3689039M1(1) | 1  | Gasket      |
| 20 | 3688945M1  | ◄► | M6x16 mm     | 3  | Screw       |
|    |            | ●  | 704572A1(3)  |    |             |

Engine

X70 Series Tier 4 (2012-2013) - RPE1 - X70.40

RPE1\00006694.png

A-05  
09



A0509

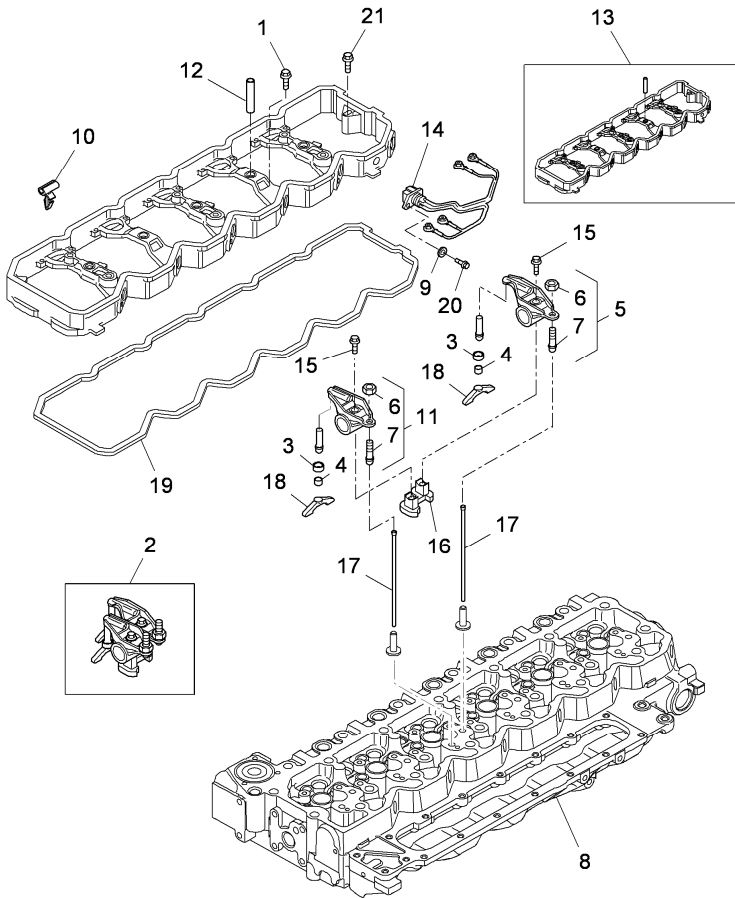
Rocker shaft

Inglese

21 3688863M1 ● 705011A1(2)

2 Screw

- ➔ From serial or engine number
- ➡ Up to serial or engine number
- 👁 See page - reference number
- ↔ Length
- Replacement



Engine

X70 Series Tier 4 (2012-2013) - RPE1 - X70.40

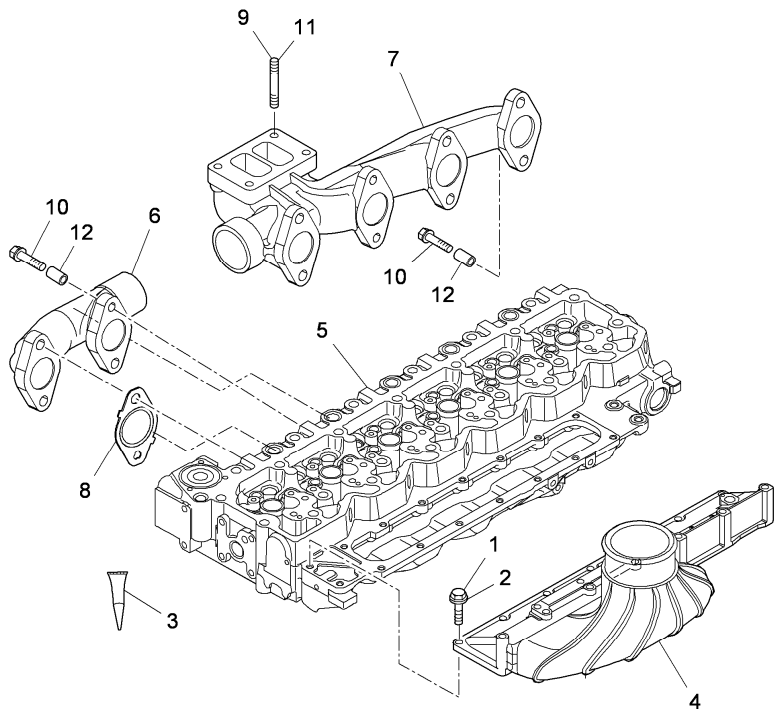
RPE1\00006695.png

**A-05  
10**



A0510

Intake and exhaust manifold



|    |           | Inglese     |
|----|-----------|-------------|
| 1  | 3688777M1 | 2 Screw     |
| 2  | 3688850M1 | 8 Screw     |
| 3  | 6500933M1 | 999 Loctite |
| 4  | 3689091M1 | 1 Duct      |
| 5  | A-05 07 3 | 1 Head      |
| 6  | 3688619M1 | 1 Manifold  |
| 7  | 3689060M1 | 1 Manifold  |
| 8  | 3689062M1 | 6 Gasket    |
| 9  | 3688861M1 | 3 Screw     |
| 10 | 705316A1  | 12 Screw    |
| 11 | 3688946M1 | 1 Screw     |
| 12 | 6513407M1 | 12 Spacer   |

See page - reference number

Length

Replacement

A Inlet

B Exhaust

Engine

X70 Series Tier 4 (2012-2013) - RPE1 - X70.40

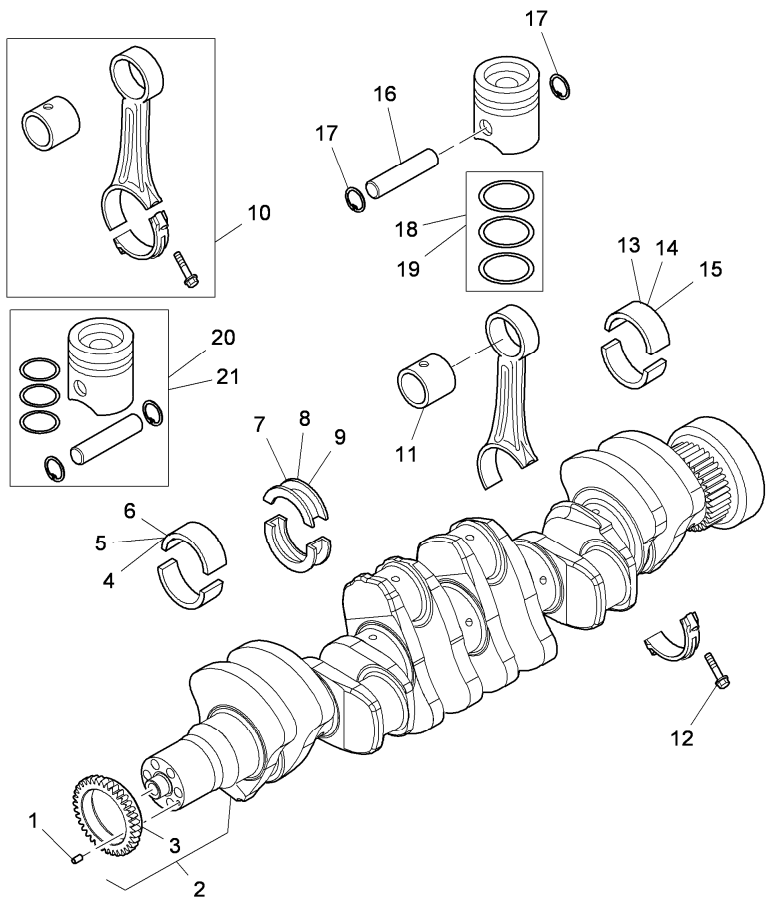
RPE1\00006698.png

A-05  
11



A0511

Crank shaft - connecting rods



|    |            |   |             |
|----|------------|---|-------------|
| 1  | 3688851M1  | ● | 704992A1(1) |
| 2  | 705157A1   | ● | 705157A2(1) |
| 3  | 704730A1   | ! | 2           |
| 4  | 3688637M1  |   |             |
| 5  | 3688638M1  | ✕ | -0,250 mm   |
| 6  | 3688639M1  | ✕ | -0,500 mm   |
| 7  | 3688634M1  |   |             |
| 8  | 3688635M1  | ✕ | -0,250 mm   |
| 9  | 3688636M1  | ✕ | -0,500 mm   |
| 10 | 3688624M1  |   |             |
| 11 | 3688675M1  | ! | 10          |
| 12 | 3688623M1  | ! | 10          |
| 13 | 3688880M1  |   |             |
| 14 | 4206388M1  | ✕ | -0,250 mm   |
| 15 | 4206389M1  | ✕ | -0,500 mm   |
| 16 | 3688676M1  |   |             |
| 17 | 3689087M1  |   |             |
| 18 | 3688921M1  |   |             |
| 19 | 3688923M92 | ✕ | +0,400 mm   |
|    |            | ● | 713981A1(6) |
| 20 | 6513408M91 |   |             |
| 21 | 6513409M91 | ✕ | +0,400 mm   |

Inglese

|    |           |
|----|-----------|
| 1  | Dowel pin |
| 1  | Shaft     |
| 1  | Gear      |
| 6  | Cuscinet  |
| 6  | Cuscinet  |
| 6  | Cuscinet  |
| 1  | Cuscinet  |
| 1  | Bearing   |
| 1  | Cuscinet  |
| 6  | Conrod    |
| 1  | Bush      |
| 2  | Screw     |
| 6  | Cuscinet  |
| 6  | Cuscinet  |
| 6  | Cuscinet  |
| 6  | Pin       |
| 12 | Ring      |
| 6  | Kit       |
| 6  | Kit       |
| 6  | Piston    |
| 6  | Piston    |

- ! This is a component of an assembly
- ✕ Shim
- Replacement

Engine

X70 Series Tier 4 (2012-2013) - RPE1 - X70.40

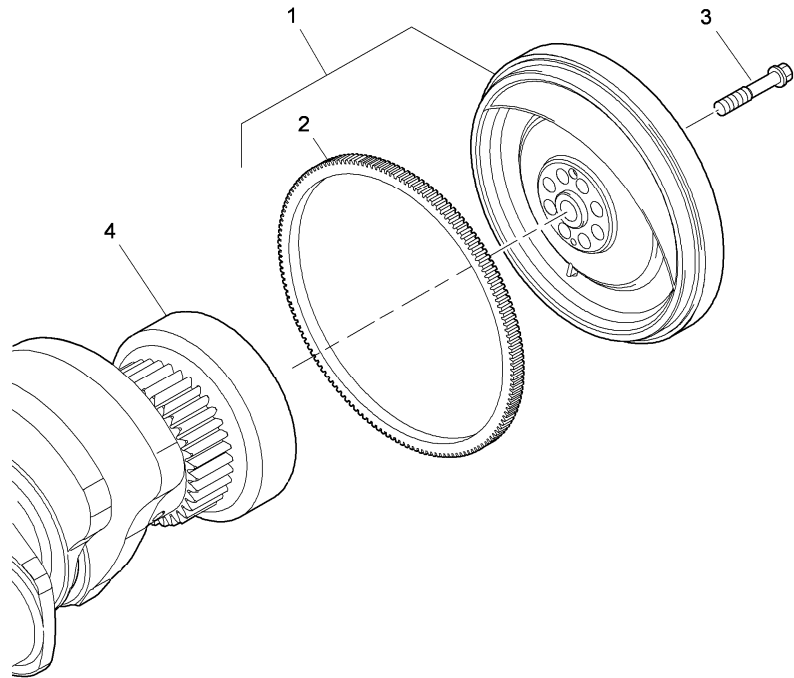
RPE1\00006699.png

A-05  
12



A0512

Engine flywhell - damper



- 1 705228A1
  - 2 705069A1 ! 1  
● N.L.S.(1)
  - 3 704752A1
  - 4 ⦿ A-05 11 2
- ! This is a component of an assembly  
⦿ See page - reference number  
● Replacement

Inglese

- 1 Flywheel
- 1 Crownwheel
- 8 Screw
- 1 Shaft

Engine

X70 Series Tier 4 (2012-2013) - RPE1 - X70.40

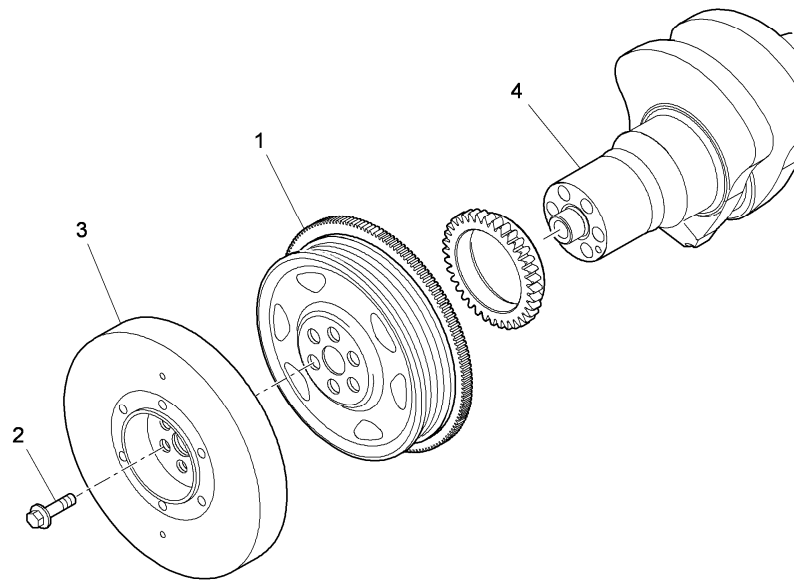
RPE1\00006700.png

A-05  
13



A0513

Vibration damper



- 1 704899A1
  - 2 3688681M1
  - 3 704720A1
  - 4 A-05 11 2
- See page - reference number

Inglese

- 1 Pulley
- 6 Screw
- 1 Kit
- 1 Shaft

Engine

X70 Series Tier 4 (2012-2013) - RPE1 - X70.40

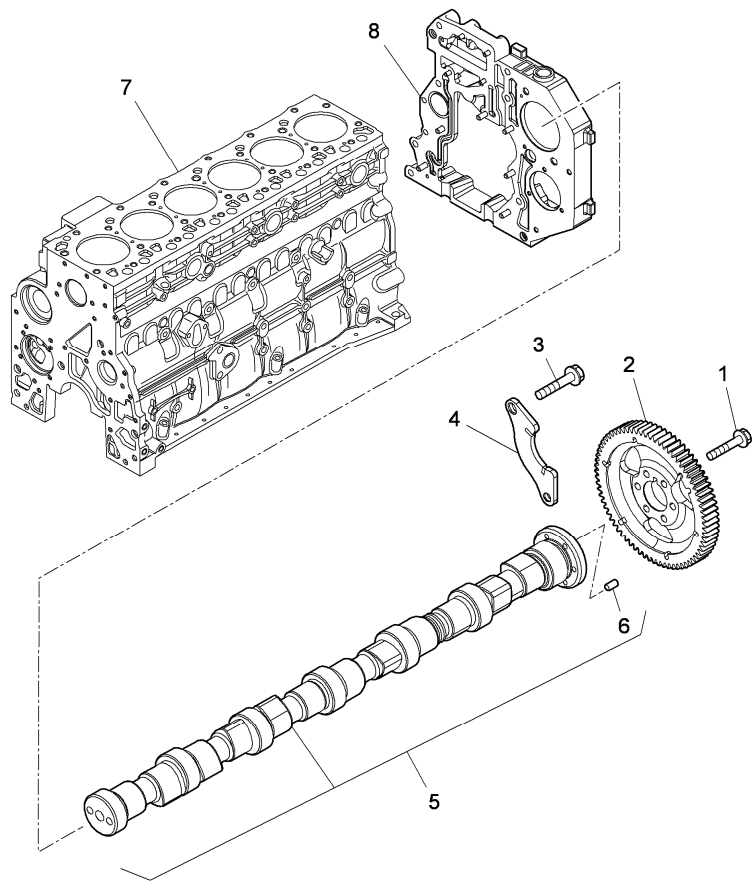
RPE1\00006701.png

A-05  
14



A0514

Timing parts



Inglese

- |   |            |                                    |   |             |
|---|------------|------------------------------------|---|-------------|
| 1 | 3688856M1  |                                    | 6 | Screw       |
| 2 | 704887A1   |                                    | 1 | Pinion      |
| 3 | 3688854M1  | ◄ M8x17 mm                         | 2 | Screw       |
|   |            | ● 704997A1(2)                      |   |             |
| 4 | 3688818M1  | ● 704931A1(1)                      | 1 | Stirrup     |
| 5 | 6513410M91 |                                    | 1 | Shaft       |
| 6 | 3688857M1  | ! 5                                | 1 | Screw       |
|   |            | ● 705005A1(1)                      |   |             |
| 7 |            | ◁ A-05 02 9                        | 1 | Housing     |
| 8 |            | ◁ A-05 04 10                       | 1 | Rotor drive |
|   | !          | This is a component of an assembly |   |             |
|   | ◁          | See page - reference number        |   |             |
|   | ◄          | Length                             |   |             |
|   | ●          | Replacement                        |   |             |

Engine

X70 Series Tier 4 (2012-2013) - RPE1 - X70.40

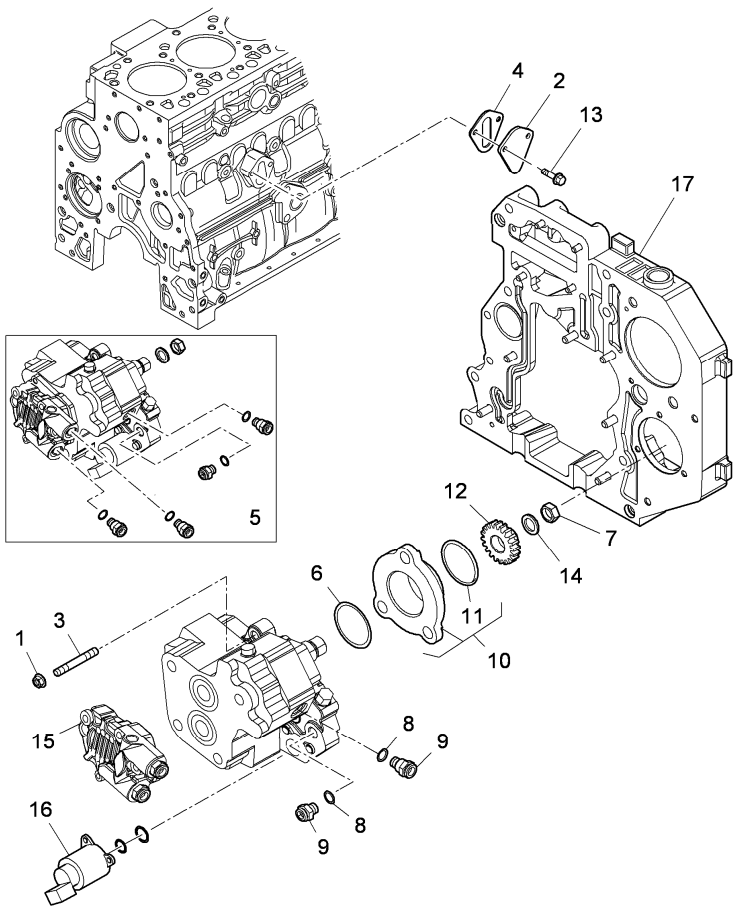
RPE1\00006702.png

**A-05  
15**



A0515

Fuel injection equipment



- 1 706306A1
- 2 3688811M1 ● 704911A1(1)
- 3 704575A1 ◄ M8x50 mm
- 4 3688642M1 ● 704684A1(1)
- 5 6513428M91 ● 704975A2(1)
- 6 3689012M1
- 7 3688641M1 ● 704682A1(1)
- 8 3689015M2
- 9 6501374M1
- 10 705116A1
- 11 704591A1 ! 10
- 12 704731A1
- 13 3688941M1 ● 710625A1(2)
- 14 3688990M1 ● 707359A1(1)
- 15 ◊ A-05 17 4
- 16 ◊ A-05 17 1
- 17 ◊ A-05 04 10

**Inglese**

- 3 Nut
- 1 Coperch.
- 3 Stud
- 1 Gasket
- 1 Pump
- 1 O ring
- 1 Nut
- 2 Gasket
- 2 Union
- 1 Spacer
- 1 Gasket
- 1 Pinion
- 2 Screw
- 1 Washer
- 1 Pump
- 1 Adjuster
- 1 Rotor drive

- ! This is a component of an assembly
- ◊ See page - reference number
- ◄ Length
- Replacement

Engine

X70 Series Tier 4 (2012-2013) - RPE1 - X70.40

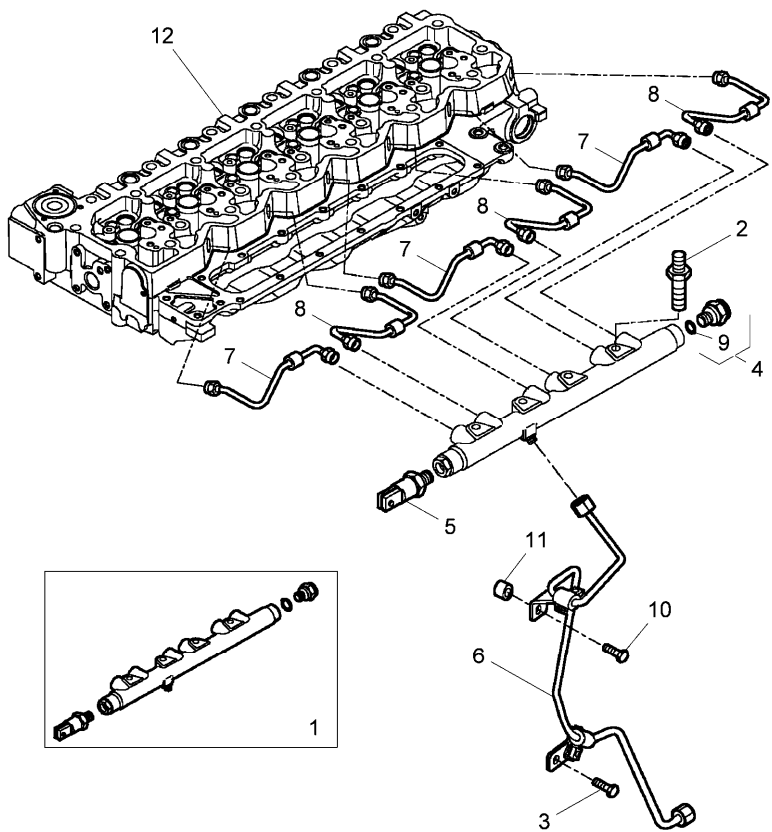
RPE1\00006703.png

**A-05  
16**



A0516

Accumulator hydraulic



**Inglese**

- |    |           |   |             |   |             |
|----|-----------|---|-------------|---|-------------|
| 1  | 3689071M2 |   |             | 1 | Accumulator |
| 2  | 3689029M1 | ● | 705148A1(4) | 4 | Screw       |
| 3  | 710625A1  | ◄ | M8x20 mm    | 1 | Bolt        |
| 4  | 3689078M2 | ! | 1           | 1 | Valve       |
| 5  | 3689100M2 | ! | 1           | 1 | Sensor      |
| 6  | 4218885M1 |   |             | 1 | Pipe        |
| 7  | 4218886M1 |   |             | 3 | Pipe        |
| 8  | 4218887M1 |   |             | 3 | Pipe        |
| 9  | 4218938M1 | ! | 4           | 1 | Ring        |
| 10 | 704904A1  |   |             | 1 | Screw       |
| 11 | 714693A1  |   |             | 1 | Spacer      |
| 12 |           | ◄ | A-05 07 3   | 1 | Head        |
- ! This is a component of an assembly  
 ◄ See page - reference number  
 ◄ Length  
 ● Replacement

Engine

X70 Series Tier 4 (2012-2013) - RPE1 - X70.40

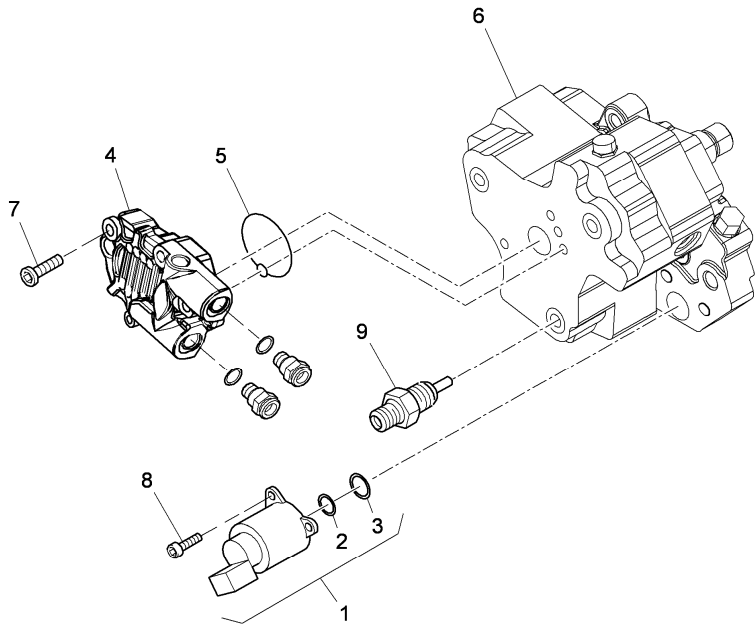
RPE1\00042140.png

A-05  
17



A0517

Injection pump (componenti)



|   |                          | Inglese    |
|---|--------------------------|------------|
| 1 | 3689009M1                | 1 Adjuster |
| 2 | 3689008M1 ! 1            | 1 O ring   |
| 3 | 3689007M1 ! 1            | 1 O ring   |
| 4 | 3689010M1 ● 3689010M2(1) | 1 Pump     |
| 5 | 6501370M1                | 1 Ring     |
| 6 | ⦿ A-05 15 5              | 1 Pump     |
| 7 | 3689112M1 ● 6525662M1(4) | 4 Screw    |
| 8 | 3689128M1 ● 6525661M1(3) | 3 Screw    |
| 9 | 3689129M1                | 1 Valve    |

- ! This is a component of an assembly
- ⦿ See page - reference number
- Replacement



**Suggest:**

**For more complete manuals. Please go to the home page.**

**<https://www.ebooklibonline.com>**

**If the above button click is invalid. Please download this document first, and then click the above link to download the complete manual.**

**Thank you so much for reading**



Engine

X70 Series Tier 4 (2012-2013) - RPE1 - X70.40

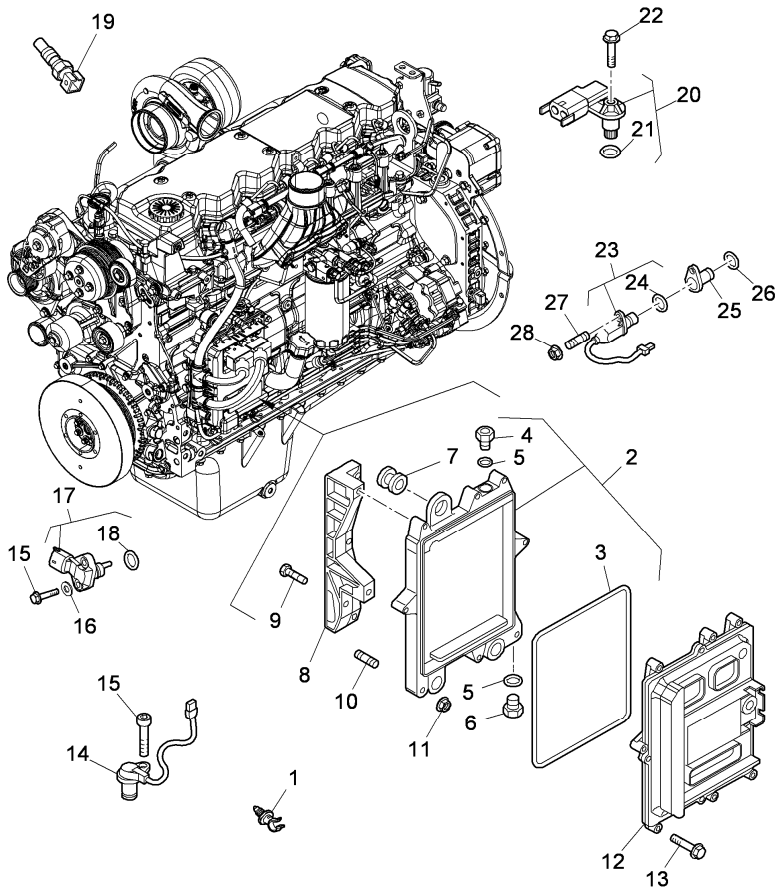
RPE1\00042142.png

**A-05  
19**



A0519

Electronic control unit



|    |                | Inglese        |
|----|----------------|----------------|
| 1  | 6513422M1      | 2              |
| 2  | 6513421M91     | 1 Support      |
| 3  | 704902A1       | ! 2            |
|    | ● 3689053M1(1) | 1 Gasket       |
| 4  | 704894A1       | ! 2            |
| 5  | 3689015M2      | ! 2            |
| 6  | 3688650M1      | ! 2            |
| 7  | 3689019M1      | ! 2            |
| 8  | 704945A1       | 1 Stirrup      |
| 9  | 704573A1       | 3 Insert       |
| 10 | 714709A1       | 1 Stud         |
| 11 | 714711A1       | 1 Nut          |
| 12 | 6513420M1      | ● N.L.S.(2)    |
| 13 | 3688931M1      | ◄ M6x30 mm     |
| 13 | 705003A1       | 3 Screw        |
| 14 | 704677A1       | A              |
| 15 | 3688866M1      | ● 705021A1(3)  |
| 16 | 705023A1       | 2 Washer       |
| 17 | 3688640M1      | ● 3688640M2(1) |
|    | B              |                |
|    | E              |                |
| 18 | 3688797M1      | ! 17           |
| 19 | 3688813M1      | C              |
| 20 | 6513418M91     | D              |
|    | F              |                |

**<https://www.ebooklibonline.com>**

Hello dear friend!

Thank you very much for reading.

Enter the link into your browser.

The full manual is available for immediate download.

**<https://www.ebooklibonline.com>**