

Engine

X60 Series (2011-2014) - RP67 - X60.50

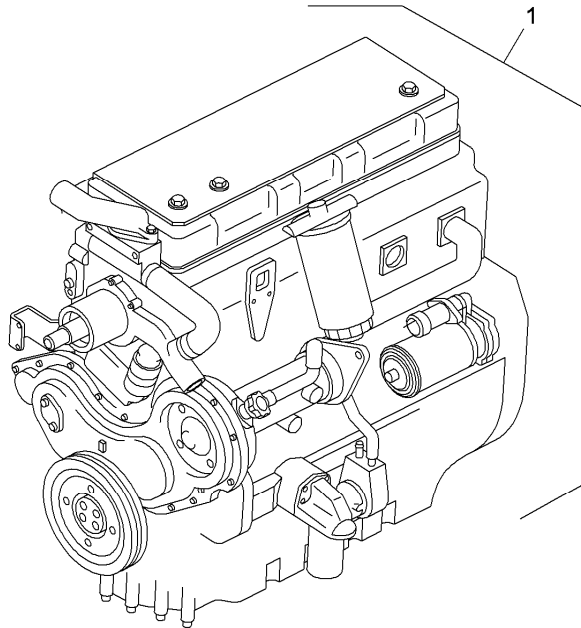
RP67\00005987.PNG

A-05
01



A0501

Engine assembly



			Inglese
1	6502061M92	89,2 kw - perkins r	1 Engine
1	6512082M91	89,2 kw - perkins r	1 Engine
	A		
	B		
1	6512315M91	89,2 kw - perkins r	1 Engine
	A		
	D		
1	6515420M91	94,5 kw - perkins r	1 Engine
	A		
	B		
	C		
A	Flexibility engine		
B	Cee		
C	Dual power		
D	Nao		

Engine

X60 Series (2011-2014) - RP67 - X60.50

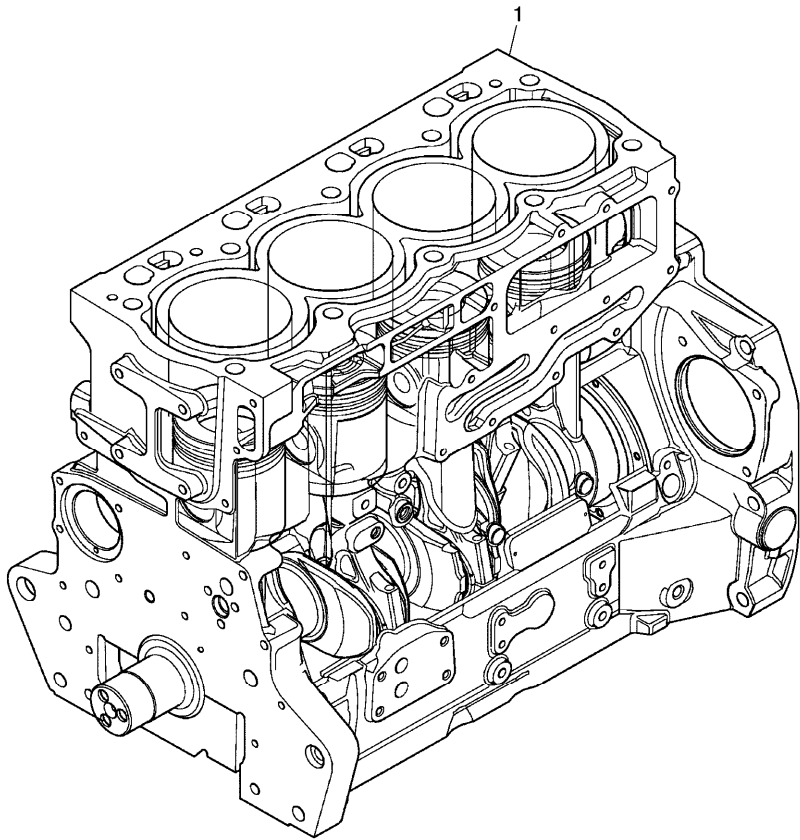
RP67\000015070.PNG

**A-05
015**



A05015

Short engine



1 NH40030

Inglese

1 Short engine

Engine

X60 Series (2011-2014) - RP67 - X60.50

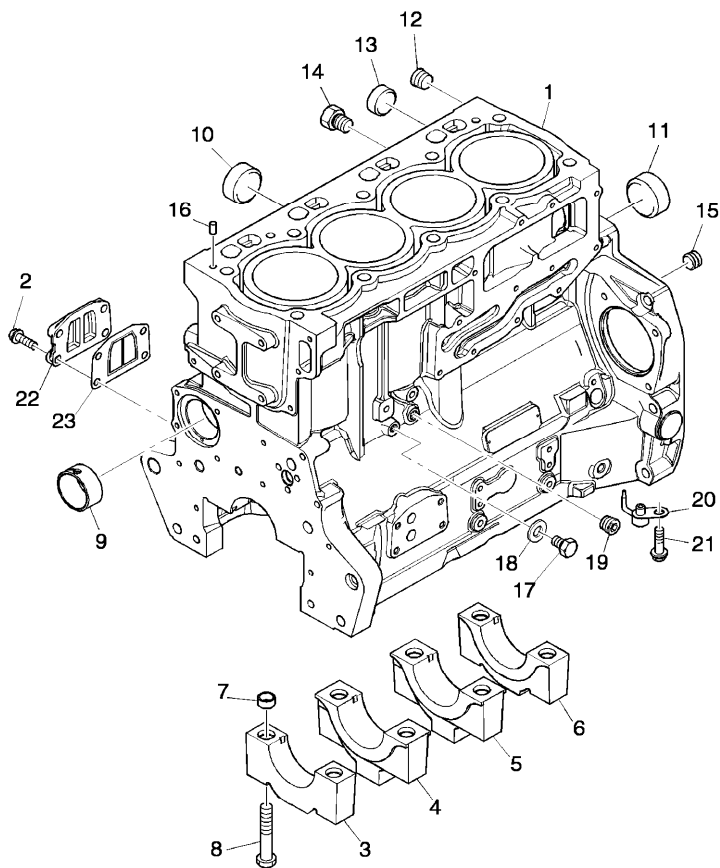
A-05
02



A0502

Cylinders block

RP67\000022252.png



- 1 ZZ50327
- 2 2314H034 ! 1
- 3 ! 1
- 4 ! 1
- 5 ! 1
- 6 ! 1
- 7 33142111 ! 1
- 8 32166329 ! 1
- 9 3112D075
- 10 3241A011 ! 1
- 11 3241A012 ! 1
- 12 0650588 ! 1
- 13 0650710 ! 1
- 14 32141316 ! 1
- 15 3212P008 ! 1
- 16 3244A009 ! 1
- 17 2314C049 ! 1
- 18 2415D053 ! 1
- 19 0650594 ! 1
- 20 2113A003 ! 1
- 21 2314F001 ! 1

- ➡ Ref.n.1
- ➡ Ref.n.1
- ➡ Ref.n.1
- ➡ Ref.n.1
- ➡ Ref.n.1

Inglese

- 1 Block
- 4 Screw
- 1 Bearing cup
- 1 Bearing cup
- 1 Bearing cup
- 1 Bearing cup
- 10 Manicott
- 10 Screw
- 1 Bush
- 2 Plug
- 1 Plug
- 1 Plug
- 1 Plug
- 1 Plug
- 2 Dowel
- 1 Screw
- 1 Washer
- 1 Plug
- 4 Atomiser
- 4 Screw

<https://www.ebooklibonline.com>

Hello dear friend!

Thank you very much for reading.

Enter the link into your browser.

The full manual is available for immediate download.

<https://www.ebooklibonline.com>

Engine

X60 Series (2011-2014) - RP67 - X60.50

A-05
02



A0502

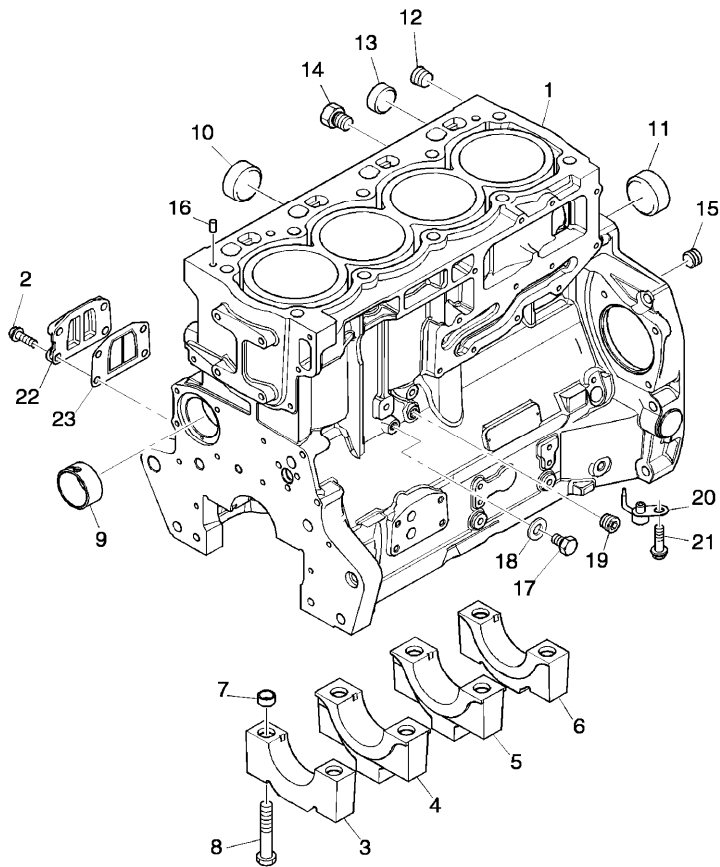
Cylinders block

RP67\000022252.png

Inglese

- | | | | | | |
|----|----------|---|---|---|----------|
| 22 | 3753A071 | ! | 1 | 1 | Coperch. |
| 23 | 3688A041 | ! | 1 | 1 | Gasket |

- ! This is a component of an assembly
- ▣ Not serviced, order



Engine

X60 Series (2011-2014) - RP67 - X60.50

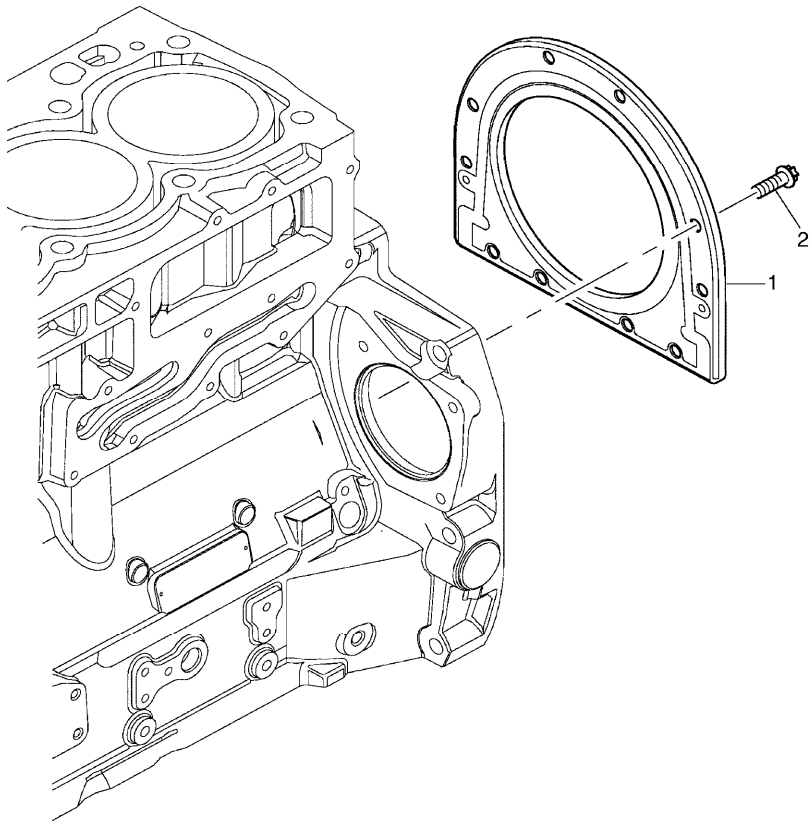
RP67\000015074.png

A-05
03



A0503

End cover



- 1 2418F704
- 2 3211C002

Inglese

- 1 Housing
- 10 Screw

Engine

X60 Series (2011-2014) - RP67 - X60.50

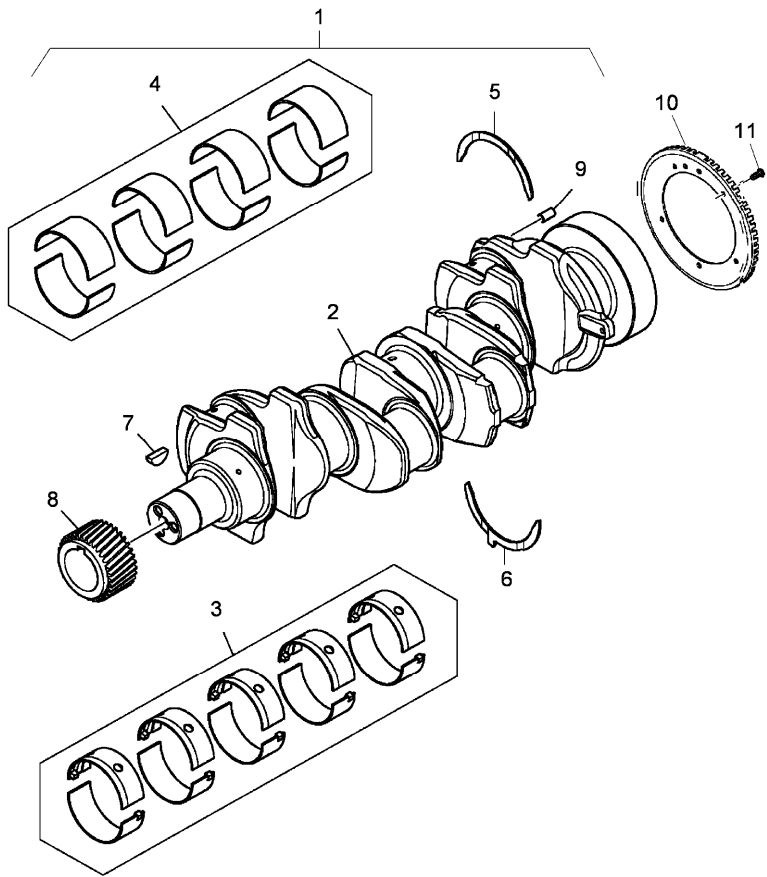
RP67\00006973.png

A-05
04



A0504

Crankshaft



Inglese

-	➔	U056074t	
1	●	ZZ90233	1 Shaft
2	!	ZZ90239(1)	1 Crankshaft
	➔	Ref.n.1	
3	!	U5MB0018	1 Kit
	●	U5MB0033(1)	
3	!	U5MB0018A	1 Kit
	⊗	0.010"	
	●	U5MB0033A(1)	
3	!	U5MB0018B	1 Kit
	⊗	0.020"	
	●	U5MB0033B(1)	
3	!	U5MB0018C	1 Kit
	⊗	0.030"	
	●	N.L.A.(1)	
4	!	U5ME0026	1 Kit
	●	U5ME0034(1)	
4	!	U5ME0026A	1 Kit
	⊗	0.25 mm	
	●	U5ME0034A(1)	
4	!	U5ME0026B	1 Kit
	⊗	0.50 mm	
	●	U5ME0034B(1)	
4	!	U5ME0026C	1 Kit
	⊗	0.75 mm	
	●	U5ME0034C(1)	

Engine

X60 Series (2011-2014) - RP67 - X60.50

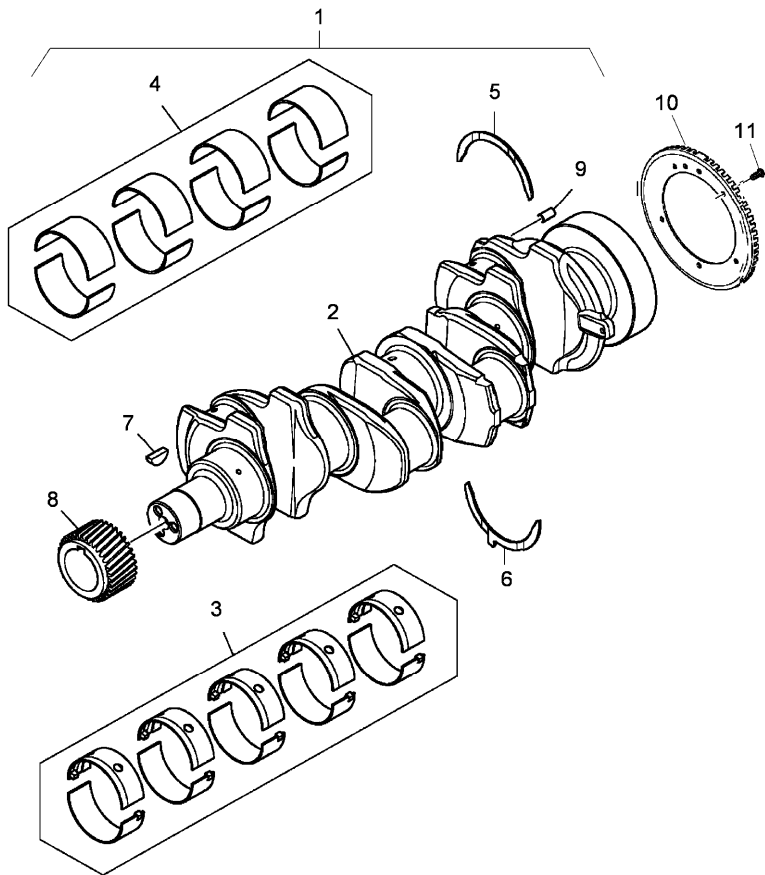
RP67\00006973.png

**A-05
04**



A0504

Crankshaft



				Inglese
5	31137312	!	1	2 Ring
		⚡	0.007 mm	
5	31137551	!	1	2 Washer
6	31137322	!	1	2 Ring
		⚡	0.007 mm	
6	31137561	!	1	2 Washer
7	0500012			1 Key
8	3117C221			1 Gear
9	3313A036	!	1	1 Dowel
10	3116L022			1 Change device
11	2316T244			3 Screw
!	This is a component of an assembly			
⬇	Up to serial or engine number			
🔧	Not serviced, order			
⚡	Shim			
🔩	Replacement			

Engine

X60 Series (2011-2014) - RP67 - X60.50

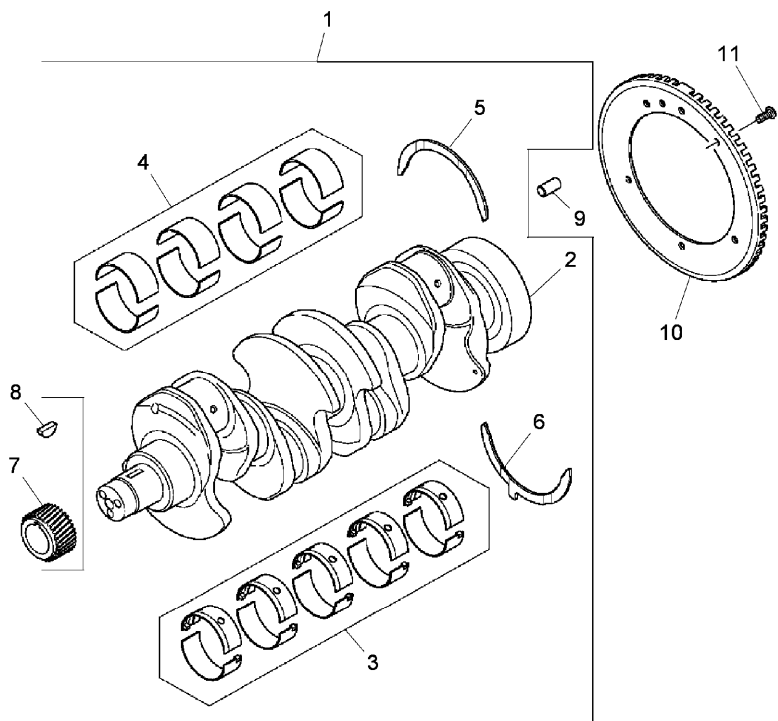
RP67\00008779.png

**A-05
041**



A05041

Crankshaft



Inglese

-	➔	U056075t	
1		ZZ90241	1 Shaft
2	!	1	1 Crankshaft
	➔	Ref.n.1	
3	!	U5MB0033	1 Kit
3	!	U5MB0033A	1 Kit
	⚡	-0,25 mm	
3	!	U5MB0033B	1 Kit
	⚡	-0,50 mm	
3	!	U5MB0033C	1 Kit
	⚡	-0,75 mm	
	●	N.L.A.(1)	
4	!	T400002	1 Kit
	●	T410927(1)	
5	!	31137312	2 Ring
	⚡	0.007 mm	
5	!	31137551	2 Washer
6	!	31137322	2 Ring
	⚡	0.007 mm	
6	!	31137561	2 Washer
7		3117C221	1 Gear
8		0500012	1 Key
9		3313A036	1 Dowel
10		3116L022	1 Change device
11		2316T244	3 Screw
!		This is a component of an assembly	

Engine

X60 Series (2011-2014) - RP67 - X60.50





RP67\00008779.png

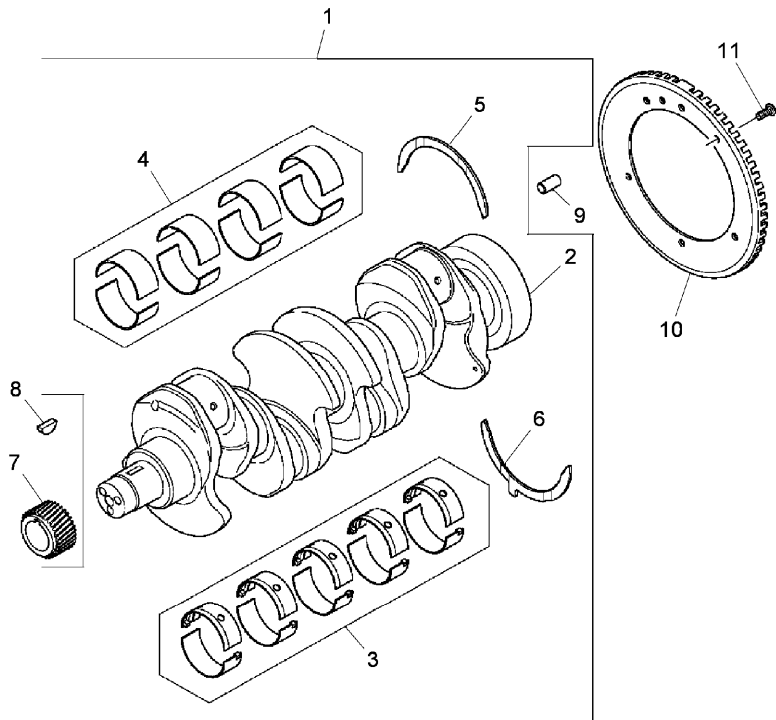
A-05
041



A05041

Crankshaft

-  From serial or engine number
-  Not serviced, order
-  Shim
-  Replacement



Engine

X60 Series (2011-2014) - RP67 - X60.50

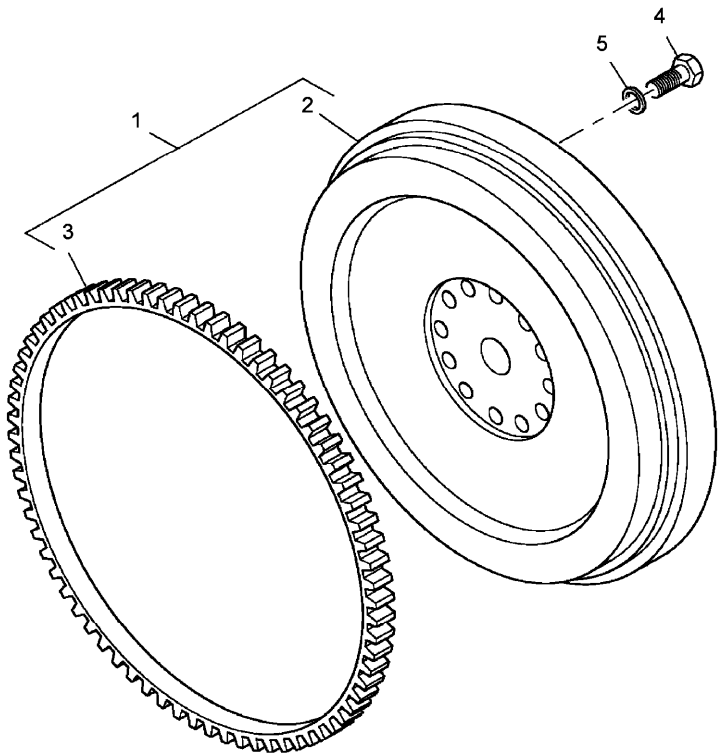
RP67\00006984.png

**A-05
045**



A05045

Flywheel



				Inglese
1	4111D267	↔	E-04 01 1	1 Flywheel
2		!	1	1 Flywheel
		➡	Ref.n.1	
3	0410236	!	1	1 Crownwheel
		●	3552228M1(1)	
4	0096803	↔	E-04 01 2	10 Screw
5	33117127	↔	E-04 01 3	10 Washer

- ! This is a component of an assembly
- ↔ See page - reference number
- ➡ Not serviced, order
- Replacement

Engine

X60 Series (2011-2014) - RP67 - X60.50

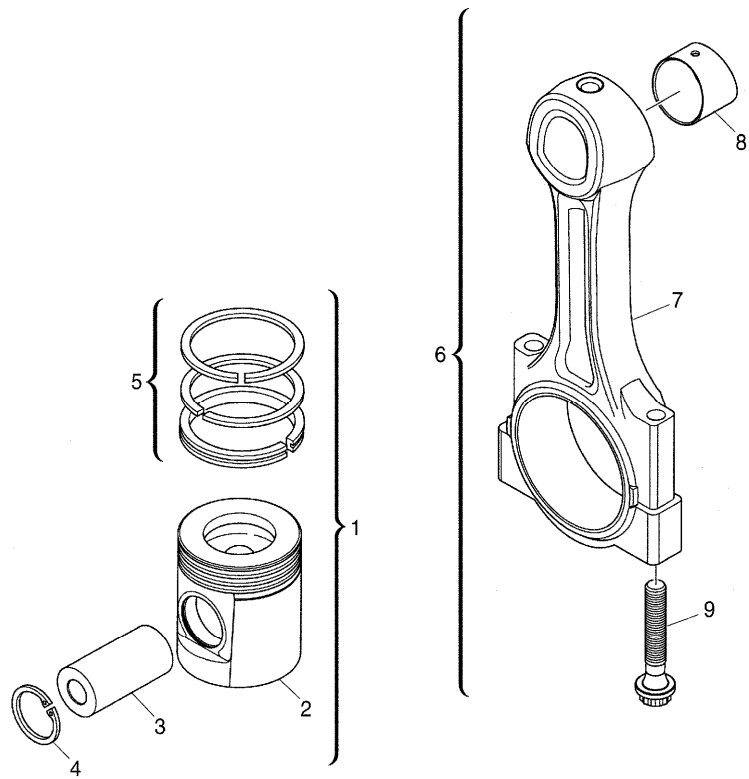
RP67\000020562.png

A-05
05



A0505

Pistons and connecting rods



1 U5PR0060

2 ! 1

➡ Ref.n.1

3 ! 1

➡ Ref.n.1

4 2721332 ! 1

5 UPRK0005 ! 1

6 4115C311 ➡ U056074t

A

T-A 14:0

6 4115C312 ➡ U056074t

B

T-A 14:0

6 4115C313 ➡ U056074t

C

T-A 14:0

6 4115C314 ➡ U056074t

D

T-A 14:0

6 4115C315 ➡ U056074t

E

T-A 14:0

6 4115C316 ➡ U056074t

F

T-A 14:0

Inglese

4 Kit

1 Piston

1 Piston

2 Ring

1 Kit

4 Kit

4 Kit

4 Kit

4 Kit

4 Kit

4 Kit

Engine

X60 Series (2011-2014) - RP67 - X60.50

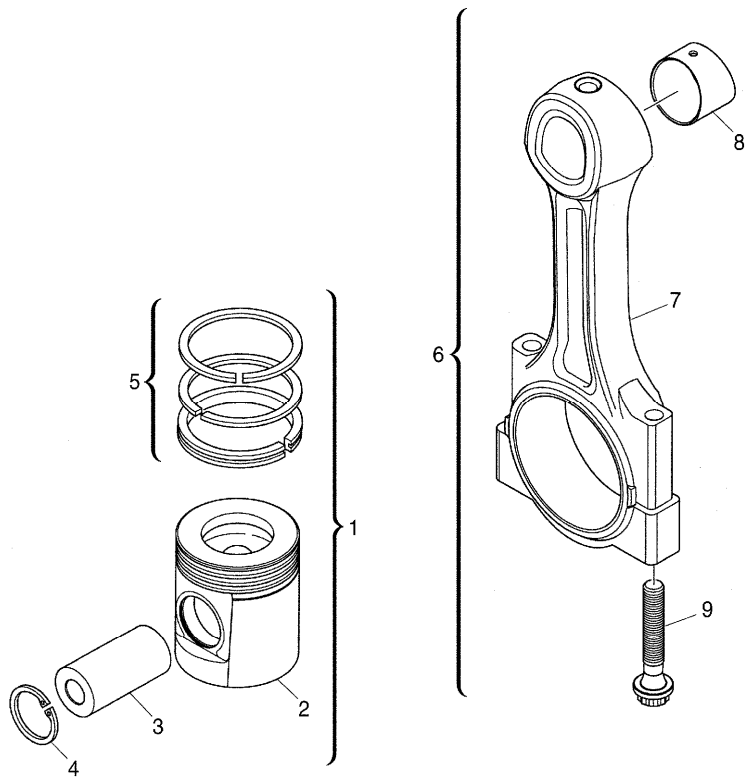
RP67\000020562.png

A-05
05



A0505

Pistons and connecting rods



			Inglese
6	4115C361	➡ U056075t	4 Conrod
		A	
6	4115C362	➡ U056075t	4 Conrod
		B	
6	4115C363	➡ U056075t	4 Conrod
		C	
6	4115C364	➡ U056075t	4 Conrod
		D	
6	4115C365	➡ U056075t	4 Conrod
		E	
6	4115C366	➡ U056075t	4 Conrod
		F	
7	!	6	1 Conrod
		➡ Ref.n.6	
8	3112A005	!	6
		T-A 14:0	
9	3212V003	!	6
		➡ U056074 t	
9	T400001	!	6
		➡ U056075 t	

- ! This is a component of an assembly
- ➡ From serial or engine number
- ➡ Up to serial or engine number
- ➡ Not serviced, order
- T-A Replacement
- A Red
- B Orange

Engine

X60 Series (2011-2014) - RP67 - X60.50

RP67\000020562.png

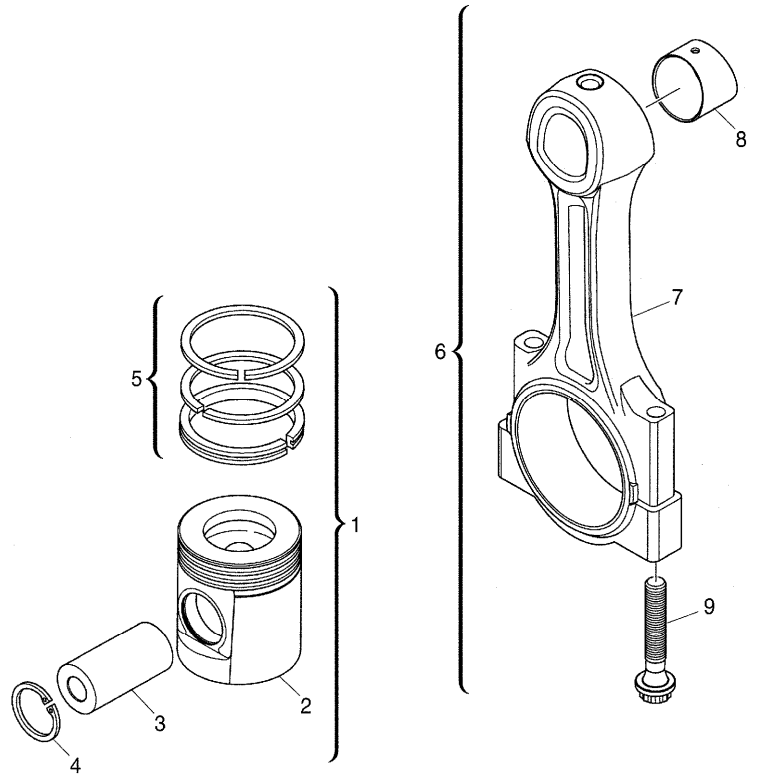
A-05
05



A0505

Pistons and connecting rods

- C White
- D Green
- E Purple
- F Blue



Engine

X60 Series (2011-2014) - RP67 - X60.50

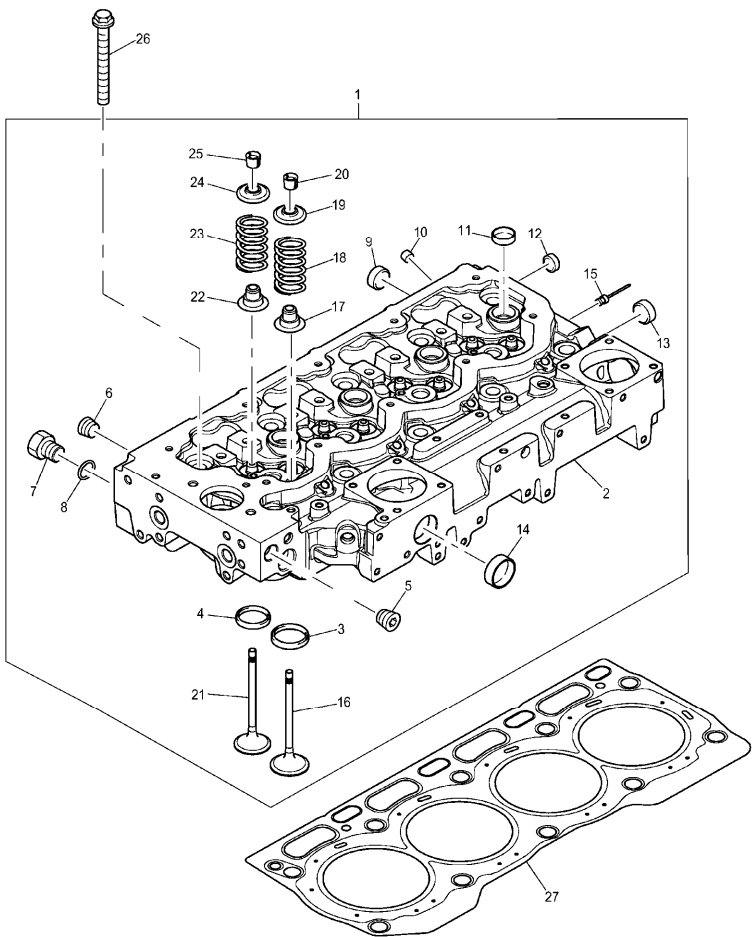
A-05
06



A0506

Cylinder head

RP67\00006974.png



1 ZZ80274

2 ! 1

➡ Ref.n.1

3 ! 1

➡ Ref.n.1

4 ! 1

➡ Ref.n.1

5 2431154 ! 1

6 2431154 ! 1

7 3278A006 ! 1

8 2415H003 ! 1

9 2485A517 ! 1

10 3241A201 ! 1

11 2485A517 ! 1

12 2485A509 ! 1

13 2485A517 ! 1

14 2485A524 ! 1

15 2485A307 ! 1

16 3142H091 ! 1

17 2418M522 ! 1

18 3174A028 ! 1

A

19 3311A025 ! 1

20 3142W005 ! 1

21 3142A181 ! 1

Inglese

1 Cylinder head

1 Cylinder head

8 Insert

8 Insert

1 Plug

1 Plug

1 Plug

1 Ring

4 Plug

4 Plug

4 Plug

1 Plug

1 Plug

1 Plug

1 Plug

8 Valve

8 Valve

8 Spring

8 Coperch.

16 Collet

8 Valve

Engine

X60 Series (2011-2014) - RP67 - X60.50

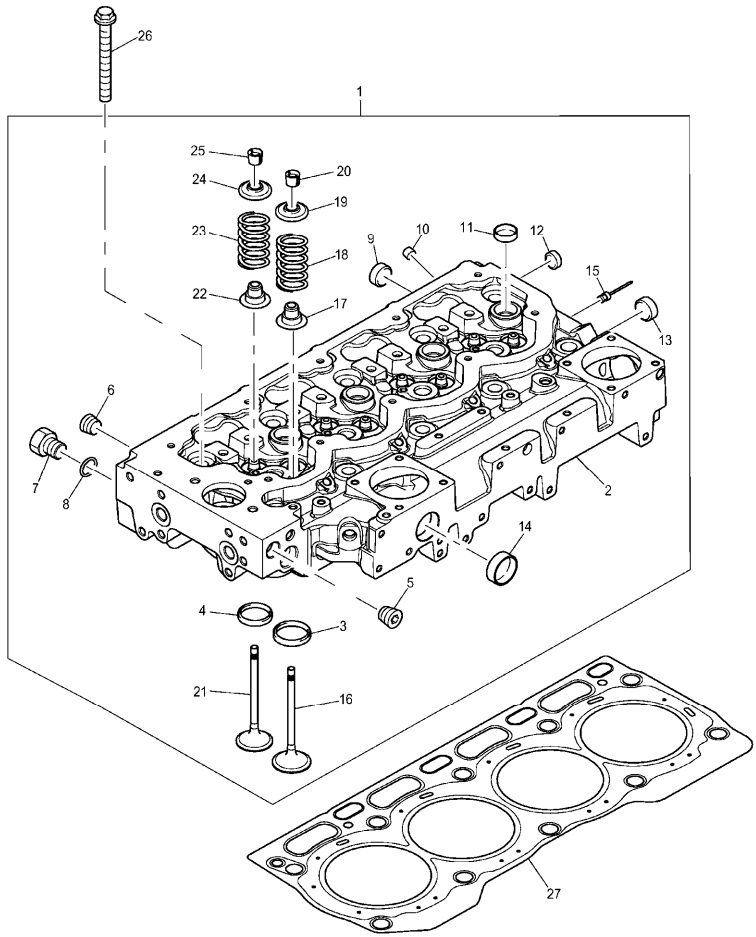
RP67\00006974.png

**A-05
06**



A0506

Cylinder head



				Inglese
22	2418M522	!	1	8 Valve
23	3174A028	!	1	8 Spring
		A		
24	3311A025	!	1	8 Coperch.
25	3142W005	!	1	16 Collet
26	3218A011			10 Screw
27	3681E074			1 Gasket

- ! This is a component of an assembly
- ▣ Not serviced, order
- A Supplied coupled

Engine

X60 Series (2011-2014) - RP67 - X60.50

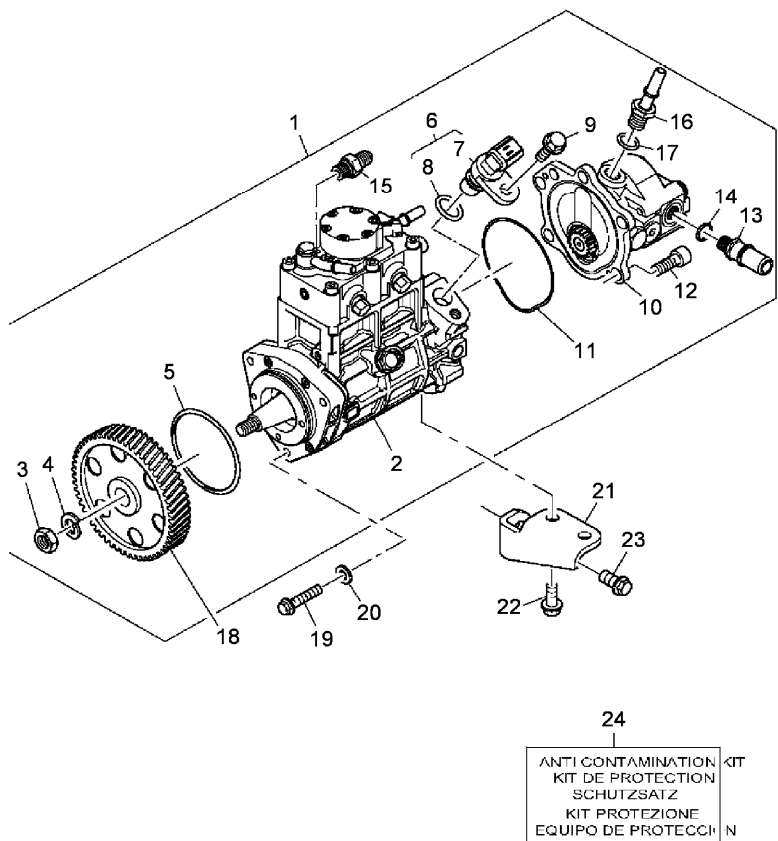
A-05
07



A0507

Injection pump assy

RP67\00008783.png



		Inglese
1	2641A405	1 Pump
2	!	1 Pump
3	2318A108	1 Nut
4	K134AF01	1 Washer
5	2415H531	1 O ring
6	U5MK1086	1 Sensor
7	A	1 Sensor
	!	6
	➡ Ref.n.6	
8	2415H524	1 Gasket
9	2314H002	1 Screw
10	2641A307	1 Lift
	● T400392(1)	
11	2415H528	1 Ring
12	2311D060	5 Screw
13	3355A028	1 Connection
14	2415H221	1 Ring
15	2441A601	1 Connection
16	3355A038	1 Connection
17	2415H221	1 Ring
18	3117L261	1 Pinion
19	2314H004	3 Screw
20	2411D008	3 Washer
21	3656A026	1 Stirrup
22	2314H002	2 Screw

Engine

X60 Series (2011-2014) - RP67 - X60.50

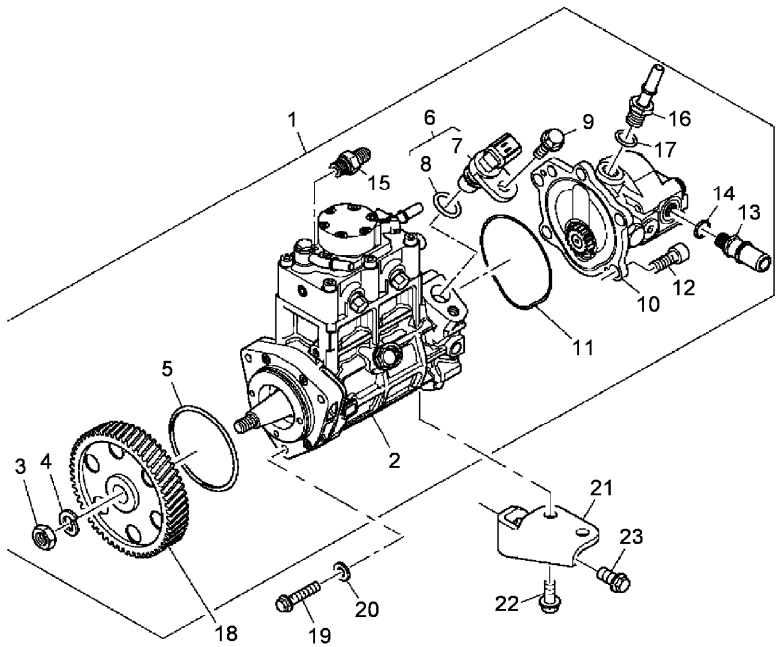
RP67\00008783.png

A-05
07



A0507

Injection pump assy



24
ANTI CONTAMINATION KIT
KIT DE PROTECTION
SCHUTZSATZ
KIT PROTEZIONE
EQUIPO DE PROTECCION

23 2314J002

24 U5MK1124

! This is a component of an assembly

Not serviced, order

Replacement

A Speed

Inglese

1 Screw

1 Kit

Engine

X60 Series (2011-2014) - RP67 - X60.50

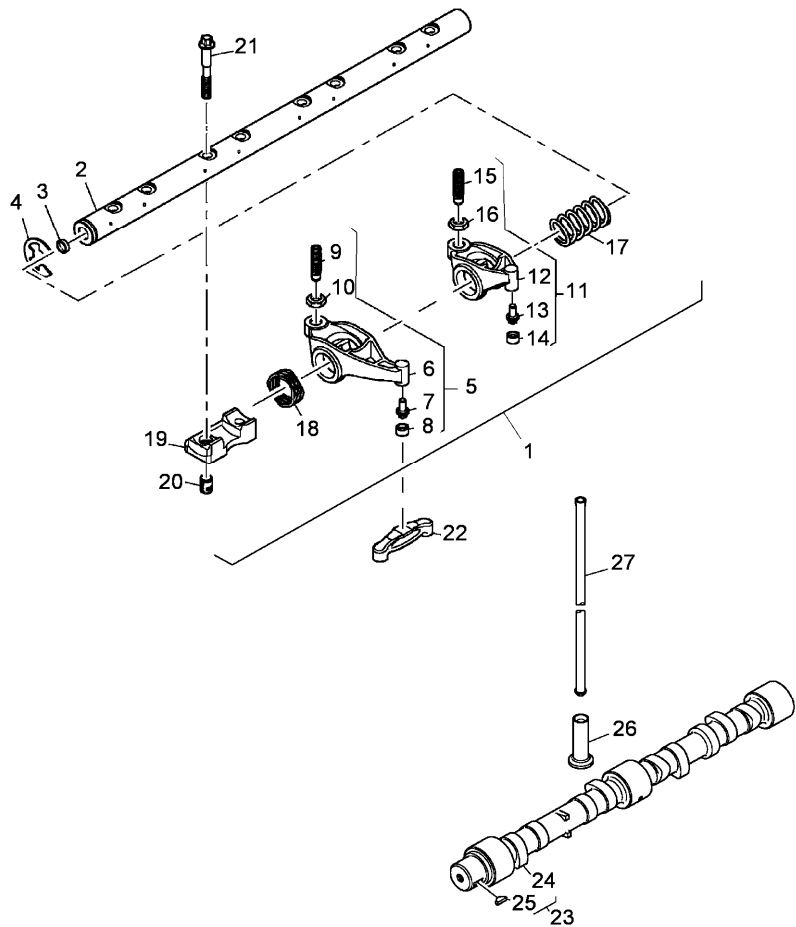
RP67\00006975.png

A-05
08



A0508

Rocker shaft



			Inglese
1	4115R819		1 Rocker
2		! 1	1 Shaft
		➡ Ref.n.1	
3	2485A105	! 1	2 Plug
4	2727A015	! 1	1 Ring
5	4115R317	! 1	4 Rocker
6		! 5	1 Rocker
		➡ Ref.n.5	
7		! 5	1 Insert
		➡ Ref.n.5	
8		! 5	1 Pad
		➡ Ref.n.5	
9	3211C004	! 5	1 Screw
10	3331A004	! 5	1 Nut
11	4115R316	! 1	4 Rocker
12		! 11	1 Rocker
		➡ Ref.n.11	
13		! 11	1 Insert
		➡ Ref.n.11	
14		! 11	1 Pad
		➡ Ref.n.11	
15	3211C004	! 11	1 Screw
16	3331A004	! 11	1 Nut
17	3174A023	! 1	3 Spring
18	3174A024	! 1	1 Spring

Engine

X60 Series (2011-2014) - RP67 - X60.50

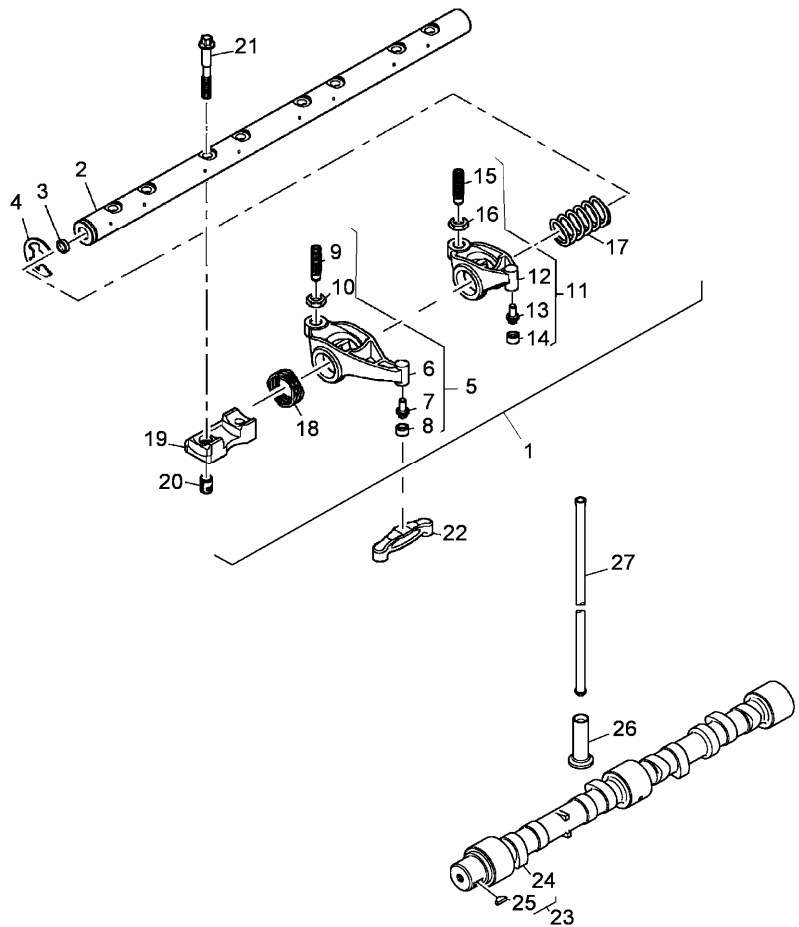
RP67\00006975.png

A-05
08



A0508

Rocker shaft



- 19 3818X161 ! 1
- 20 3241A024 ! 1
- 21 3218A201 ! 1
- 22 T406248
- 23 4112K026
- 24 ! 23
- 25 0500012 ! 23
- 26 3142U061
- 27 3142V011

➡ Ref.n.23

- ! This is a component of an assembly
- ➡ Not serviced, order

Inglese

- 4 Pedestal
- 4 Retainer
- 8 Screw
- 8 Stirrup
- 1 Shaft
- 1 Shaft
- 1 Key
- 8 Tappet
- 8 Rod

Engine

X60 Series (2011-2014) - RP67 - X60.50

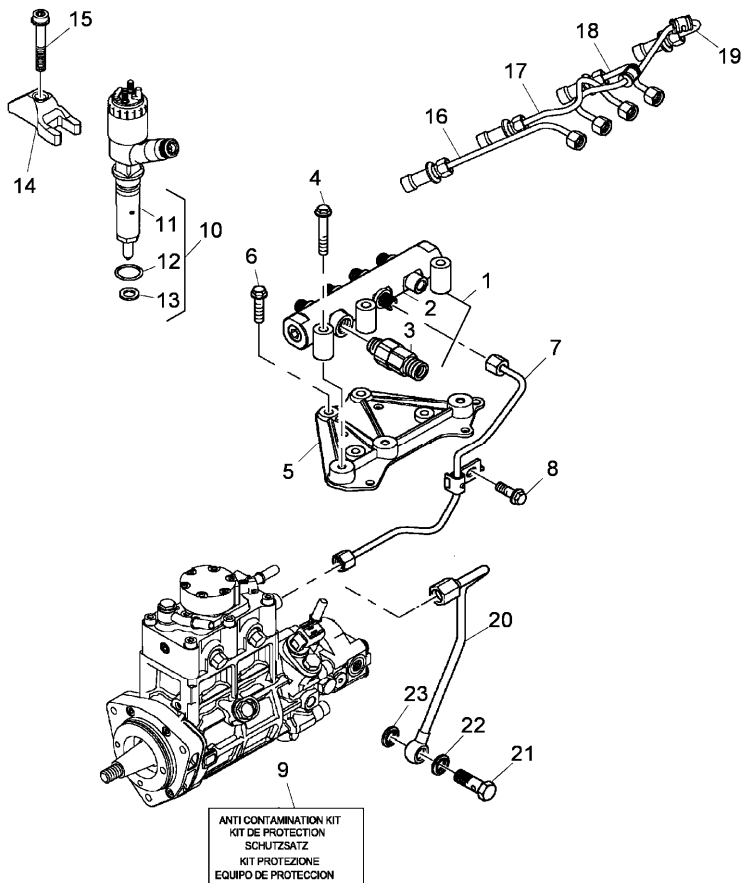
RP67\00006980.png

A-05
09



A0509

Fuel injection equipment (diesel)



- 1 3774A415
- 2
- 3 2658A301
- 4 2314H010
- 5 3812A351
- 6 2314H006
- 7 3525A217
- 8 2314H002
- 9 U5MK1124
- 10 2645A747
- 11
- 12 2415H014
- 13 2415D154
- 14 3751A331
- 15 3218A016
- 16 3525A211
- 17 3525A212
- 18 3525A222
- 19 3525A223
- 20 3552A039
- 21 3218R054

- ! 1
- ➡ Ref.n.1
- ! 1
- T417873(1)
- ! 10
- ➡ Ref.n.10
- ! 10
- ! 10
- ➡ Ref.n.10

Inglese

- 1 Manifold
- 1 Manifold
- 1 Valve
- 3 Screw
- 1 Stirrup
- 4 Screw
- 1 Pipe
- 1 Screw
- 1 Kit
- 4 Nozzle
- 1 Nozzle
- 1 Ring
- 1 Washer
- 4 Clamp
- 4 Screw
- 1 Pipe
- 1 Pipe
- 1 Pipe
- 1 Pipe
- 1 Pipe
- 1 Bolt

Engine

X60 Series (2011-2014) - RP67 - X60.50

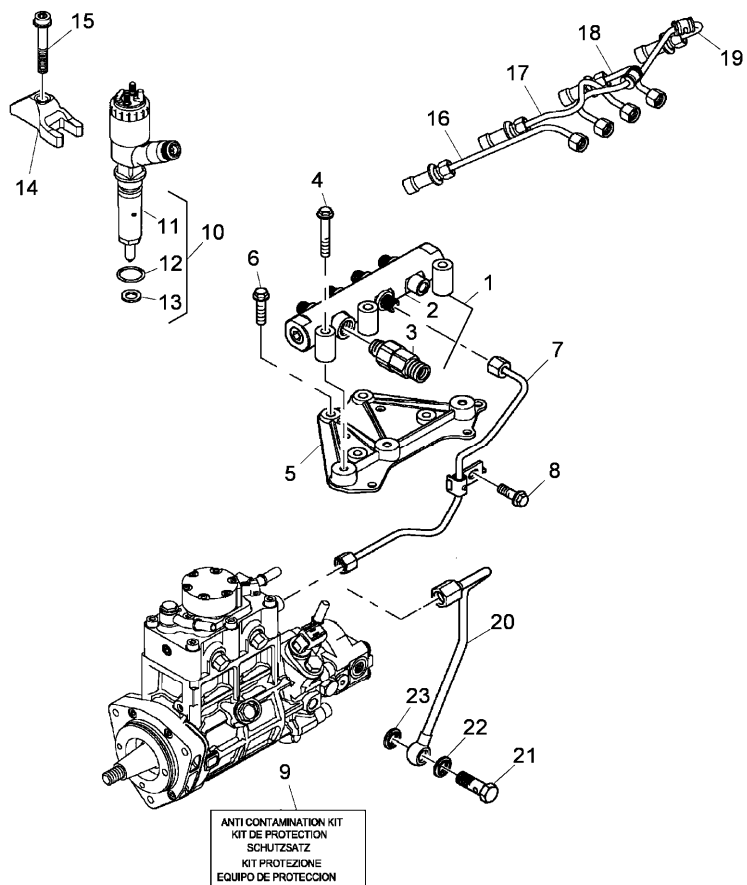
A-05
09



A0509

Fuel injection equipment (diesel)

RP67\00006980.png



22 2415D253

23 2415D253

! This is a component of an assembly

▣ Not serviced, order

● Replacement

Inglese

1 Washer

1 Washer

Engine

X60 Series (2011-2014) - RP67 - X60.50

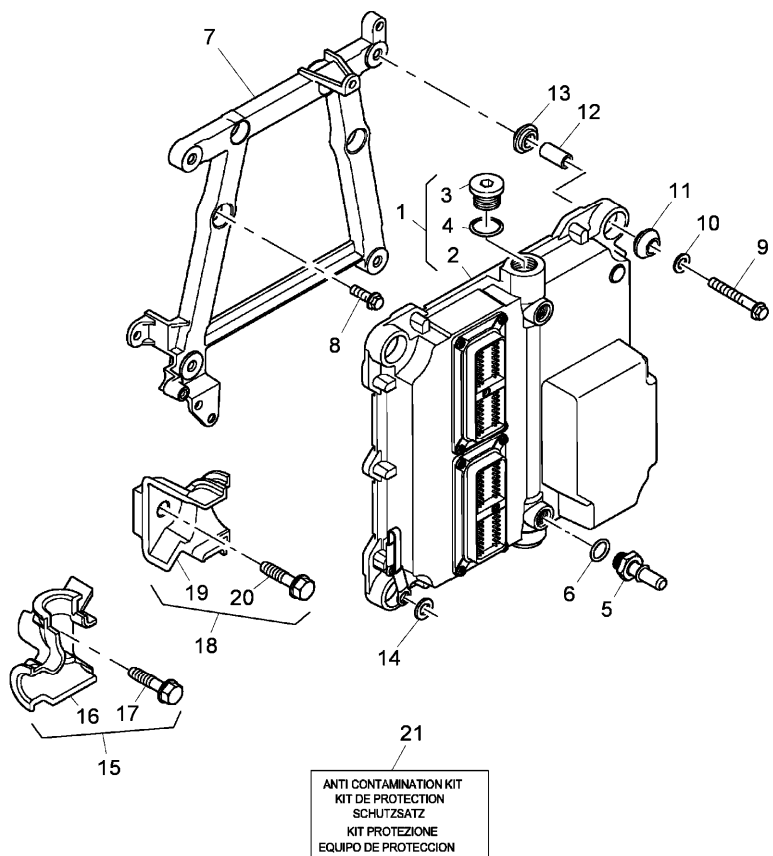
RP67\00006981.png

**A-05
095**



A05095

Engine control module



- | | | | |
|----|----------|---|-----------|
| 1 | 28170119 | ● | N.L.S.(1) |
| 2 | | ! | 1 |
| | | ➡ | Ref.n.1 |
| 3 | | ! | 1 |
| | | ➡ | Ref.n.1 |
| 4 | 2415H015 | ! | 1 |
| 5 | 3355A021 | | |
| 6 | 2415H011 | | |
| 7 | 3812A051 | | |
| 8 | 2314H033 | | |
| 9 | 2314H039 | | |
| 10 | 3311A015 | | |
| 11 | 2634C501 | | |
| 12 | 3313A027 | | |
| 13 | 2634C501 | | |
| 14 | 2131A008 | | |
| 15 | T410342 | | |
| 16 | | ! | 15 |
| | | ➡ | Ref.n.15 |
| 17 | 2314E949 | ! | 15 |
| 18 | T410340 | | |
| 19 | | ! | 18 |
| | | ➡ | Ref.n.18 |
| 20 | 2314E949 | ! | 18 |
| 21 | U5MK1124 | | |

Inglese

- | | |
|---|-------------------------|
| 1 | Electr.contr.unit |
| 1 | Electronic unit control |
| 2 | Plug |
| 2 | Ring |
| 2 | Connection |
| 2 | Ring |
| 1 | Stirrup |
| 4 | Screw |
| 4 | Screw |
| 5 | Washer |
| 4 | Support |
| 4 | Spacer |
| 4 | Support |
| 1 | Washer |
| 1 | Clip |
| 1 | Stop |
| 1 | Screw |
| 1 | Clip |
| 1 | Stop |
| 1 | Screw |
| 1 | Kit |



Suggest:

For more complete manuals. Please go to the home page.

<https://www.ebooklibonline.com>

If the above button click is invalid. Please download this document first, and then click the above link to download the complete manual.

Thank you so much for reading

Engine

X60 Series (2011-2014) - RP67 - X60.50

RP67\00006981.png

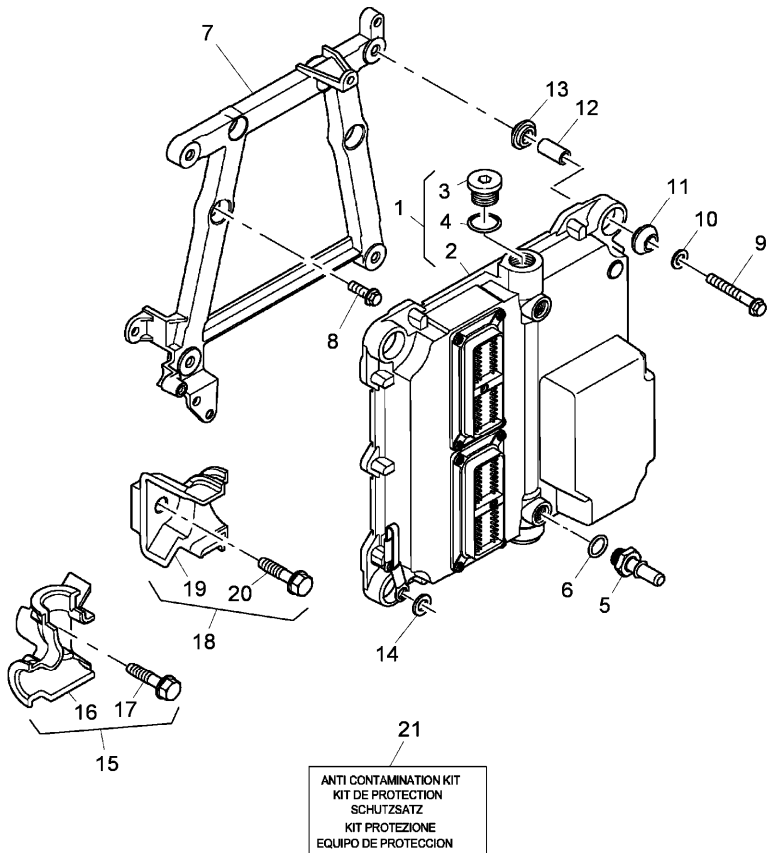
A-05
095



A05095

Engine control module

- ! This is a component of an assembly
- ▶ Not serviced, order
- Replacement



Engine

X60 Series (2011-2014) - RP67 - X60.50

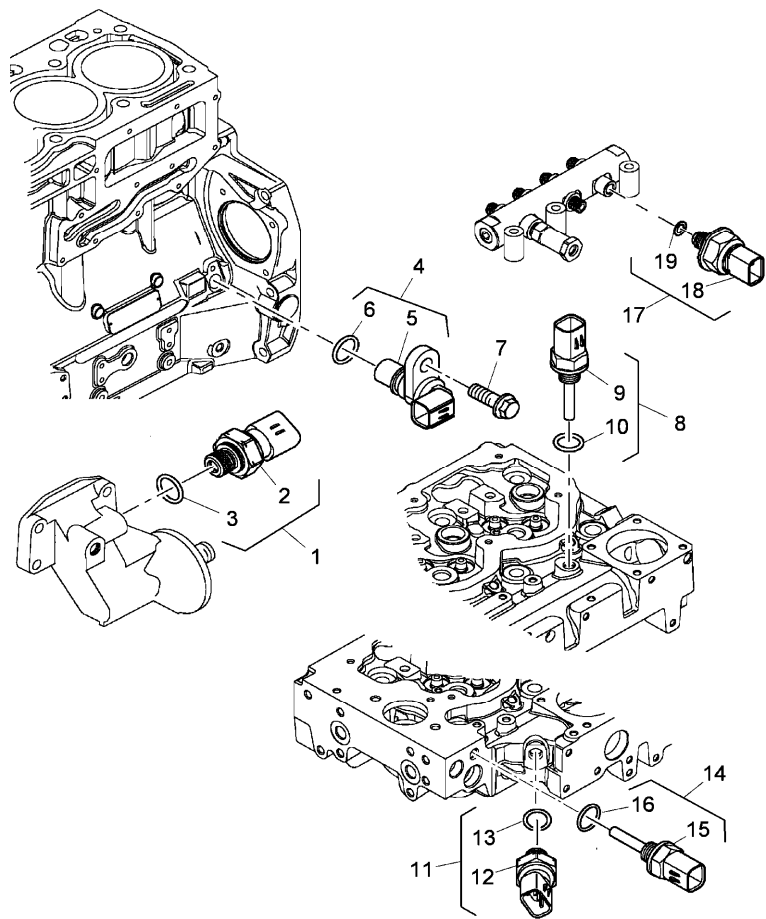
A-05
10



A0510

Sensors

RP67\00006983.png



			Inglese
1	U5MK1088	A	1 Sensor
2		!	1 Sensor
		➡	Ref.n.1
3	2415H002	!	1 Ring
4	U5MK1234	B	1 Sensor
5		!	1 Sensor
		➡	Ref.n.4
6	2415H014	!	1 Ring
7	2314H002		1 Screw
8	U5MK1089	C	1 Sensor
9		!	1 Sensor
		➡	Ref.n.8
10	2415H523	!	1 Ring
11	U5MK1090	D	1 Sensor
12		!	1 Sensor
		➡	Ref.n.11
13	2415H001	!	1 Gasket
14	U5MK1091	E	1 Sensor
15		!	1 Sensor
		➡	Ref.n.14
16	2415H002	!	1 Ring
17	U5MK1236	F	1 Sensor
18		!	1 Sensor
		➡	Ref.n.17
19	3311A053	!	1 Washer

<https://www.ebooklibonline.com>

Hello dear friend!

Thank you very much for reading.

Enter the link into your browser.

The full manual is available for immediate download.

<https://www.ebooklibonline.com>