

Engine

X60 Series (2011-2014) - RP67 - X60.40

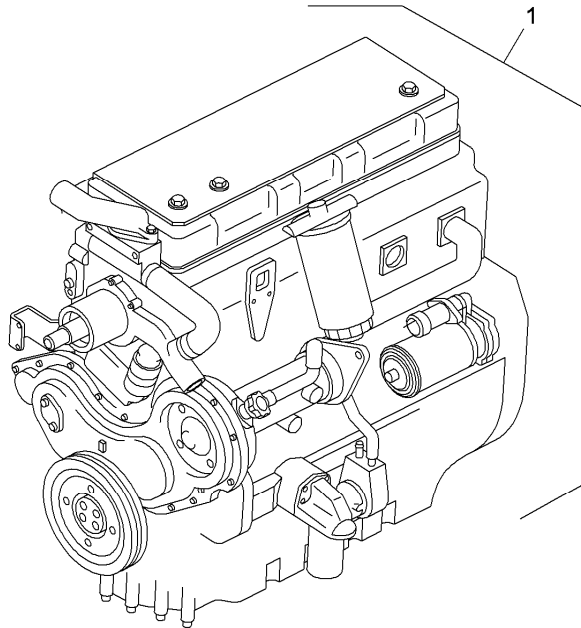
RP67\00005987.PNG

A-05
01



A0501

Engine assembly



		Inglese	
1	6510948M91	81 kw - perkins nn	1 Engine
	B		
1	6512314M91	81 kw - perkins nn	1 Engine
	C		
	D		
1	6521002M91	81 kw - perkins	1 Engine
	C		
	E		
1	716279A1	81 kw - perkins nn	1 Engine
	A		
A	Tier 3		
B	Tier 3b		
C	Flexibility engine		
D	Nao		
E	Cee		

Engine

X60 Series (2011-2014) - RP67 - X60.40

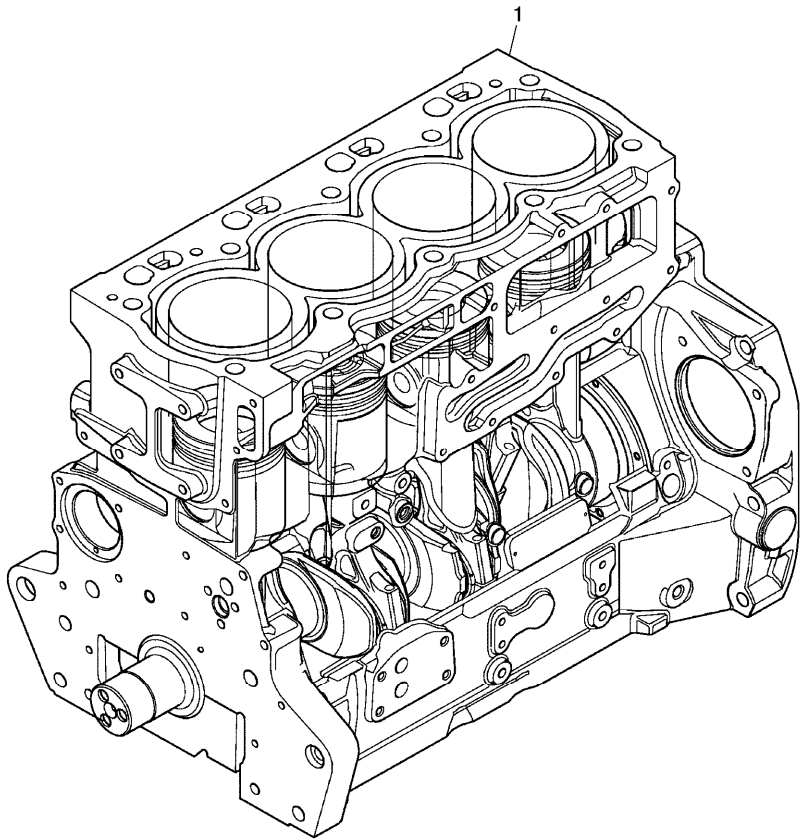
RP67\000015070.png

A-05
015



A05015

Short engine



Inglese

- | | | | | | |
|---|---------|--|----------------------------------|---|--------------|
| 1 | NM40008 | | U056074 t | 1 | Short engine |
| | | | 3115A141(1),
32186146(3), NM4 | | |
| 1 | NM40019 | | U056075 t | 1 | Short engine |

- From serial or engine number
- Up to serial or engine number
- Replacement

Engine

X60 Series (2011-2014) - RP67 - X60.40

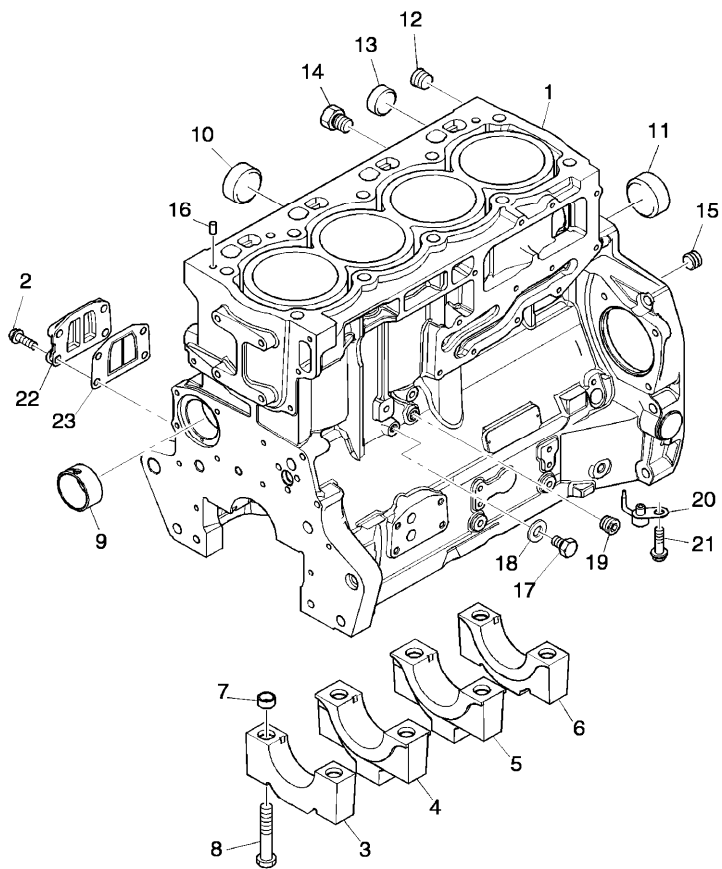
A-05
02



A0502

Cylinders block

RP67\000022252.png



1	ZZ50321	●	ZZ50325(1)
1	ZZ50325		
2	2314H034	!	1
3		!	1
		➡	Ref.n.1
4		!	1
		➡	Ref.n.1
5		!	1
		➡	Ref.n.1
6		!	1
		➡	Ref.n.1
7	33142111	!	1
8	32166329	!	1
9	3112D075	!	1
10	3241A011	!	1
11	3241A012	!	1
12	0650588	!	1
13	0650710	!	1
14	32141316	!	1
15	3212P008	!	1
16	3244A009	!	1
17	2314C049	!	1
18	2415D053	!	1
19	0650594	!	1
20	2113A003	!	1

Inglese

1	Block
1	Kit
4	Screw
1	Bearing cup
1	Bearing cup
1	Bearing cup
1	Bearing cup
10	Manicott
10	Screw
1	Bush
2	Plug
1	Plug
1	Plug
1	Plug
1	Plug
2	Dowel
1	Screw
1	Washer
1	Plug
4	Atomiser

<https://www.ebooklibonline.com>

Hello dear friend!

Thank you very much for reading.

Enter the link into your browser.

The full manual is available for immediate download.

<https://www.ebooklibonline.com>

Engine

X60 Series (2011-2014) - RP67 - X60.40

A-05
02



A0502

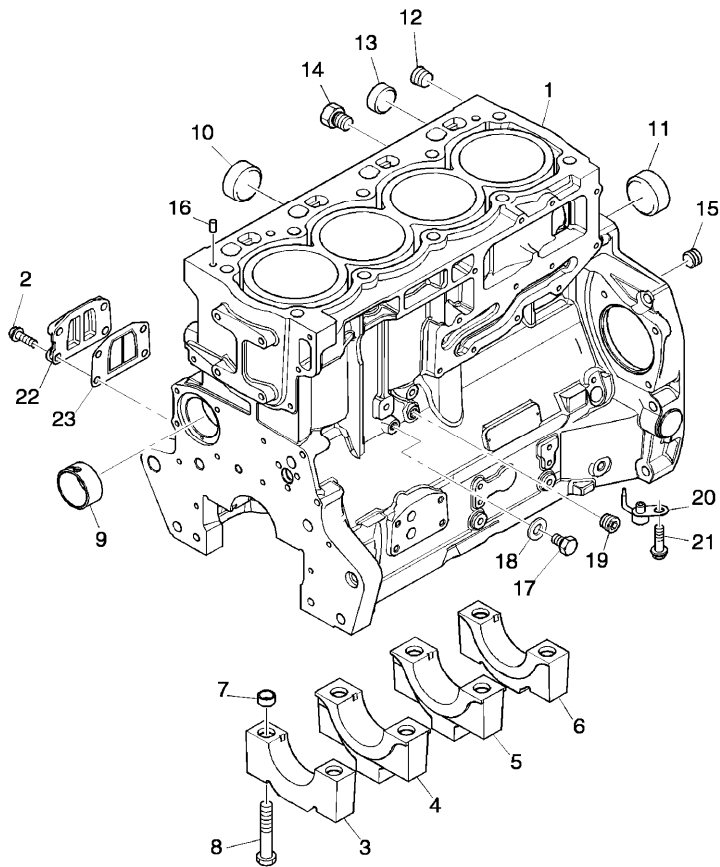
Cylinders block

RP67\000022252.png

Inglese

21	2314F001	!	1	4	Screw
22	3753A071	!	1	1	Coperch.
23	3688A041	!	1	1	Gasket

- ! This is a component of an assembly
- Not serviced, order
- Replacement



Engine

X60 Series (2011-2014) - RP67 - X60.40

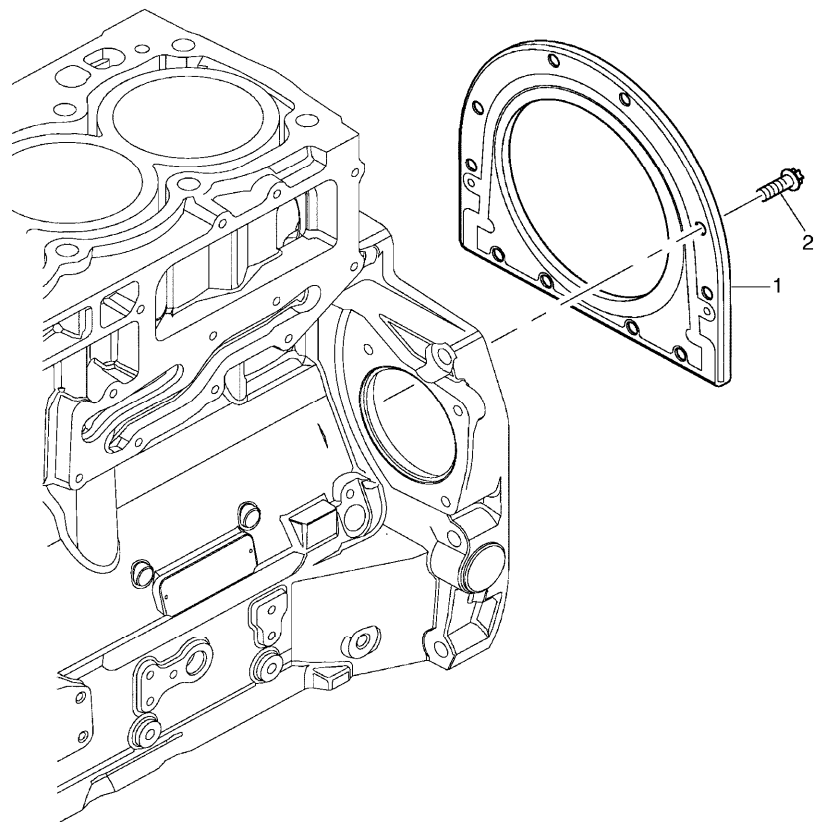
RP67\000015074.png

A-05
03



A0503

End cover



- 1 2418F704
- 2 3211C002

Inglese

- 1 Housing
- 10 Screw

Engine

X60 Series (2011-2014) - RP67 - X60.40

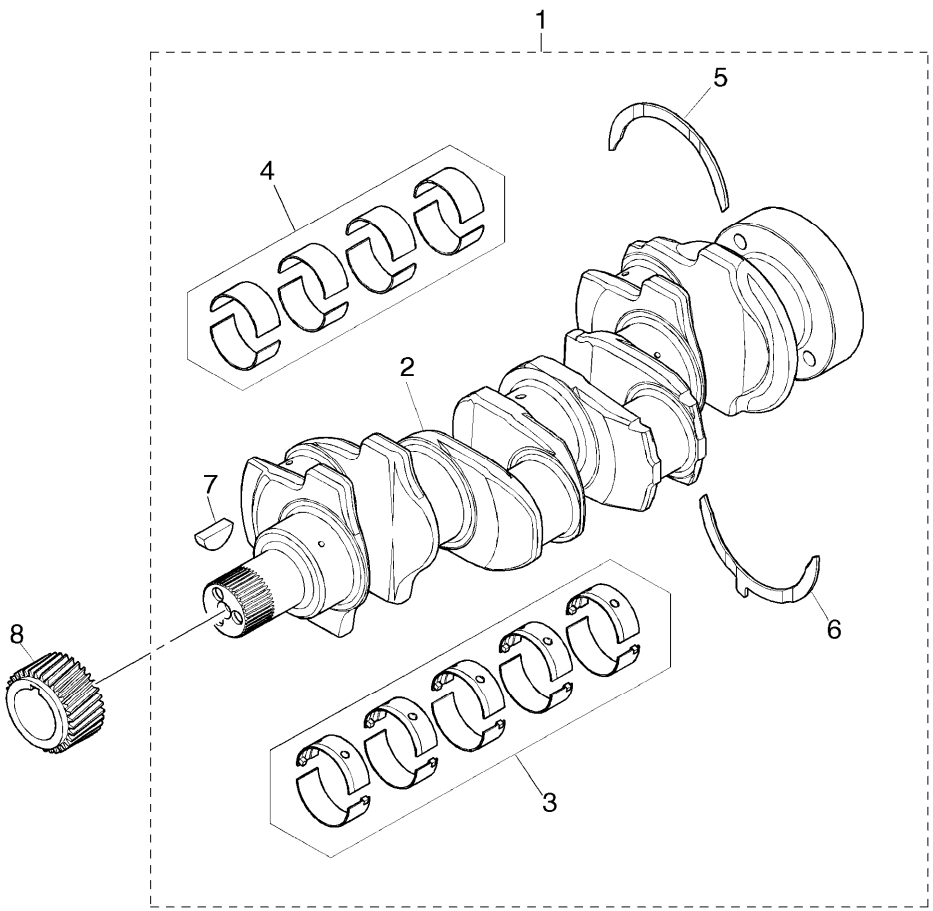
RP67\000022253.png

A-05
04



A0504

Crankshaft



		Inglese	
1	ZZ90222	➔ U056074 t	1 Kit
		● ZZ90239(1)	
1	ZZ90237	➔ U056075 t	1 Shaft
2		! 1	1 Crankshaft
		➔ Ref.n.1	
3	U5MB0033	! 1	1 Kit
3	U5MB0033A	! 1	1 Kit
		⚡ -0.25 mm	
3	U5MB0033B	! 1	1 Kit
		⚡ -0.50 mm	
3	U5MB0033C	! 1	1 Kit
		⚡ -0.75 mm	
		● N.L.A.(1)	
4	T400002	! 1	1 Kit
		➔ U056075 t	
		● T410927(1)	
4	U5ME0034	! 1	1 Kit
		➔ U056074 t	
4	U5ME0034A	! 1	1 Kit
		⚡ -0.25 mm	
		➔ U056074 t	
4	U5ME0034B	! 1	1 Kit
		⚡ -0.50 mm	
		➔ U056074 t	

Engine

X60 Series (2011-2014) - RP67 - X60.40

RP67\000022253.png

A-05
04



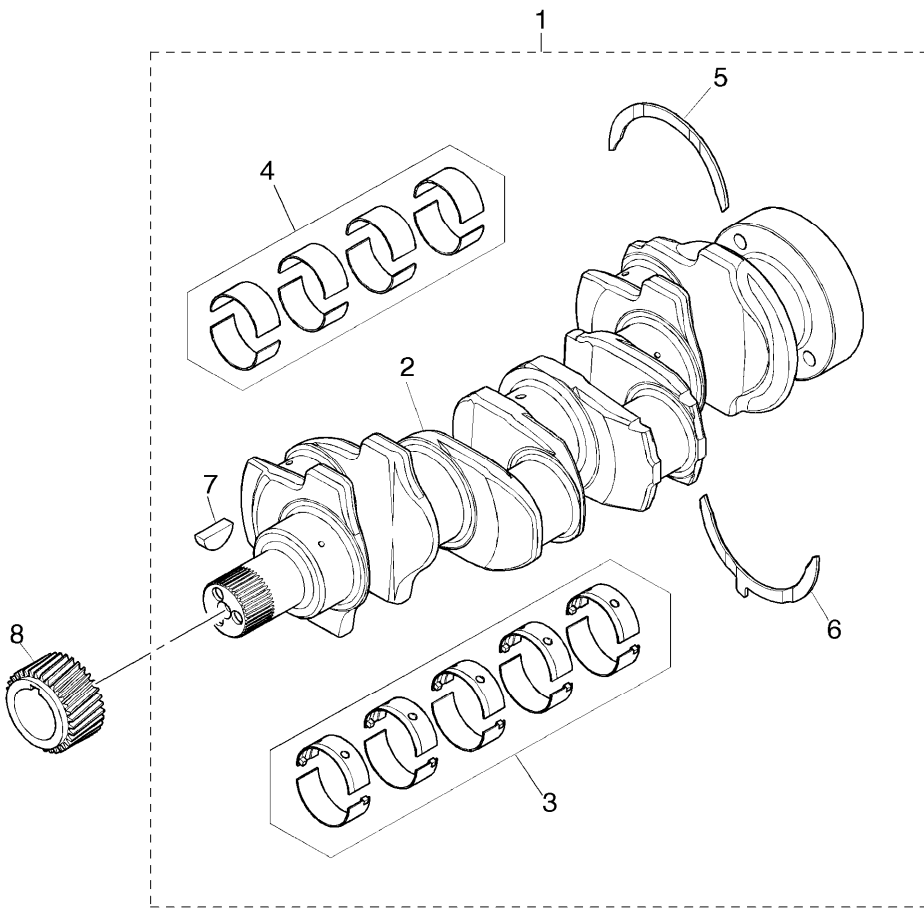
A0504

Crankshaft

Inglese

4	U5ME0034C	!	1	1 Kit
		⚡	-0.75 mm	
		➡	U056074 t	
5	31137312	!	1	2 Ring
		⚡	0.007 mm	
5	31137551	!	1	2 Washer
6	31137322	!	1	2 Ring
		⚡	0.007 mm	
6	31137561	!	1	2 Washer
7	0500012	!	1	1 Key
8	3117C221		1	1 Gear

- ! This is a component of an assembly
- ➡ From serial or engine number
- ➡ Up to serial or engine number
- ⚡ Not serviced, order
- ⚡ Shim
- ⊙ Replacement



Engine

X60 Series (2011-2014) - RP67 - X60.40

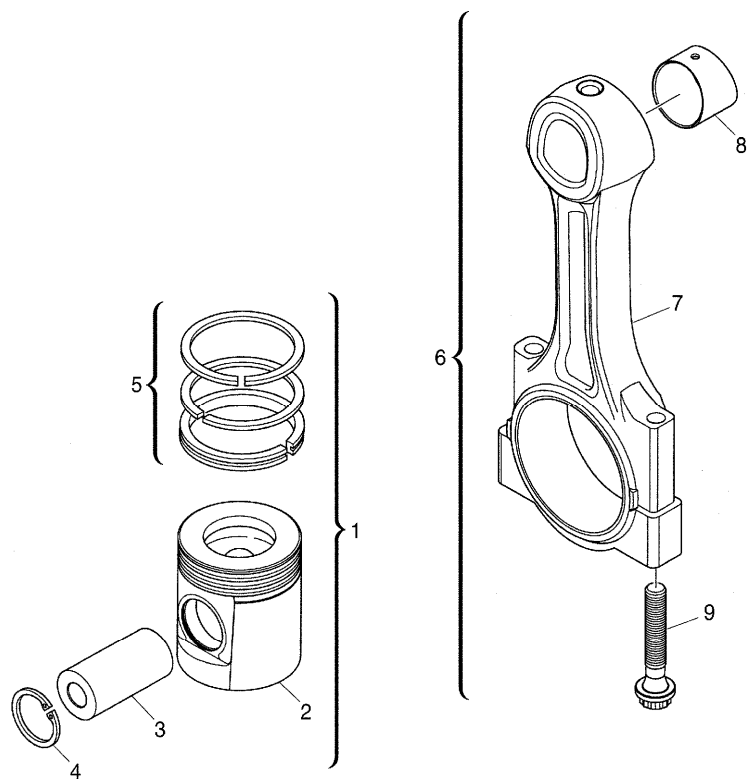
RP67\000020562.png

A-05
05



A0505

Pistons and connecting rods



			Inglese
1	U5PR0062	Std	4 Kit
1	U5PR0062B	+0,5 mm	4 Kit
2		!	1 Piston
		➡	Ref.n.1
3		!	1 Piston
		➡	Ref.n.1
4	2721332	!	2 Ring
5	UPRK0005	!	1 Kit
6	4115C311	➡	U056074 t
		A	
6	4115C312	➡	U056074 t
		B	
6	4115C313	➡	U056074 t
		C	
6	4115C314	➡	U056074 t
		D	
6	4115C315	➡	U056074 t
		E	
6	4115C316	➡	U056074 t
		F	
6	4115C361	➡	U056075 t
		A	
6	4115C362	➡	U056075 t
		B	
6	4115C363	➡	U056075 t
		C	

Engine

X60 Series (2011-2014) - RP67 - X60.40

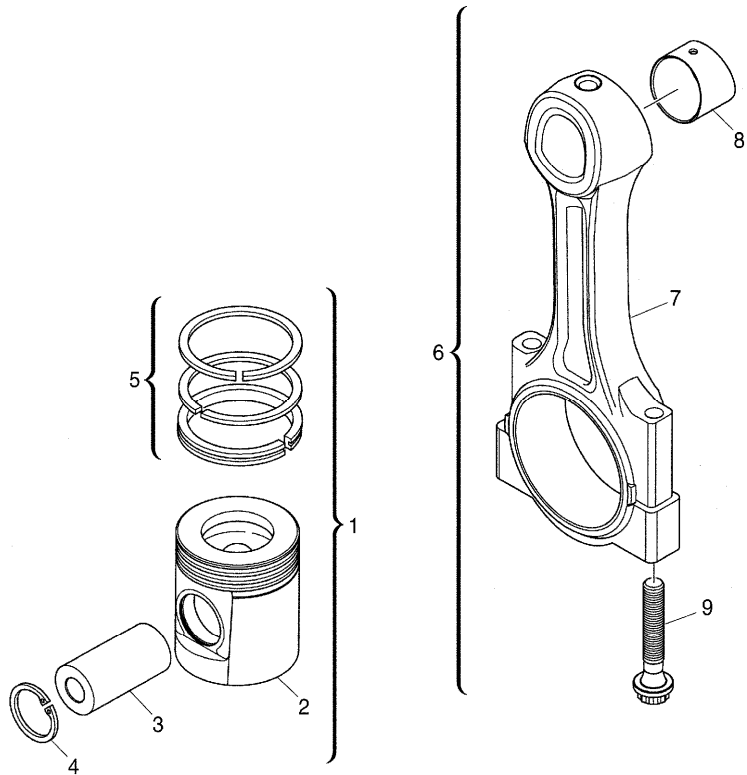
RP67\000020562.png

**A-05
05**



A0505

Pistons and connecting rods



		Inglese	
6	4115C364	➡ U056075 t D	4 Conrod
6	4115C365	➡ U056075 t E	4 Conrod
6	4115C366	➡ U056075 t F	4 Conrod
7	!	6	1 Conrod
		➡ Ref.n.6	
8	3112A005	!	6
9	3212V003	!	6
		➡ U056074 t	
9	T400001	!	6
		➡ U056075 t	

- ! This is a component of an assembly
- ➡ From serial or engine number
- ➡ Up to serial or engine number
- ➡ Not serviced, order
- A Red
- B Orange
- C White
- D Green
- E Purple
- F Blue

Engine

X60 Series (2011-2014) - RP67 - X60.40

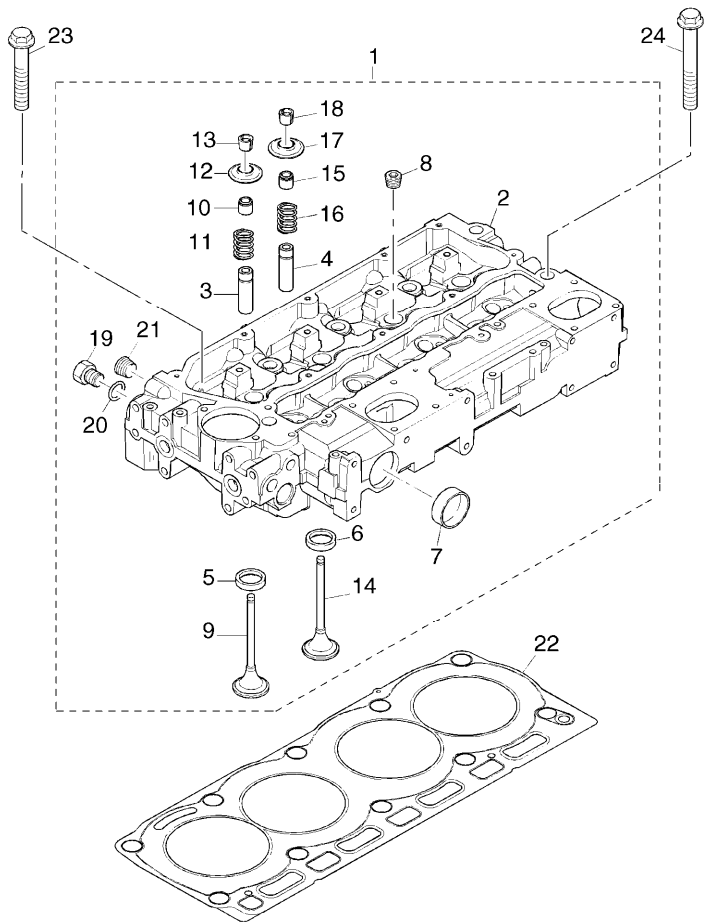
RP67\000022254.png

**A-05
06**



A0506

Cylinder head



1	ZZ80279		
2		!	1
		➡	Ref.n.1
3	3313A012	!	1
4	3313A012	!	1
5	3314A221	!	1
6	3314A231	!	1
7	32416117	!	1
8	0650588	!	1
9	3142H101	!	1
10	2418M519	!	1
		A	
11	3174A031	!	1
		●	T417479(4)
12	3342A021	!	1
13	2714A002	!	1
14	3142A171	!	1
15	2418M517	!	1
		B	
16	3174A031	!	1
		●	T417479(4)
17	3342A021	!	1
18	2714A002	!	1
19	3278A006	!	1
20	2415H003	!	1

Inglese

1	Cylinder head
1	Cylinder head
4	Insert
4	Insert
4	Insert
4	Insert
2	Plug
4	Plug
4	Valve
4	Ring
4	Spring
4	Coperch.
8	Collar
4	Valve
4	Ring
4	Spring
4	Coperch.
8	Collar
1	Plug
1	Ring

Engine

X60 Series (2011-2014) - RP67 - X60.40

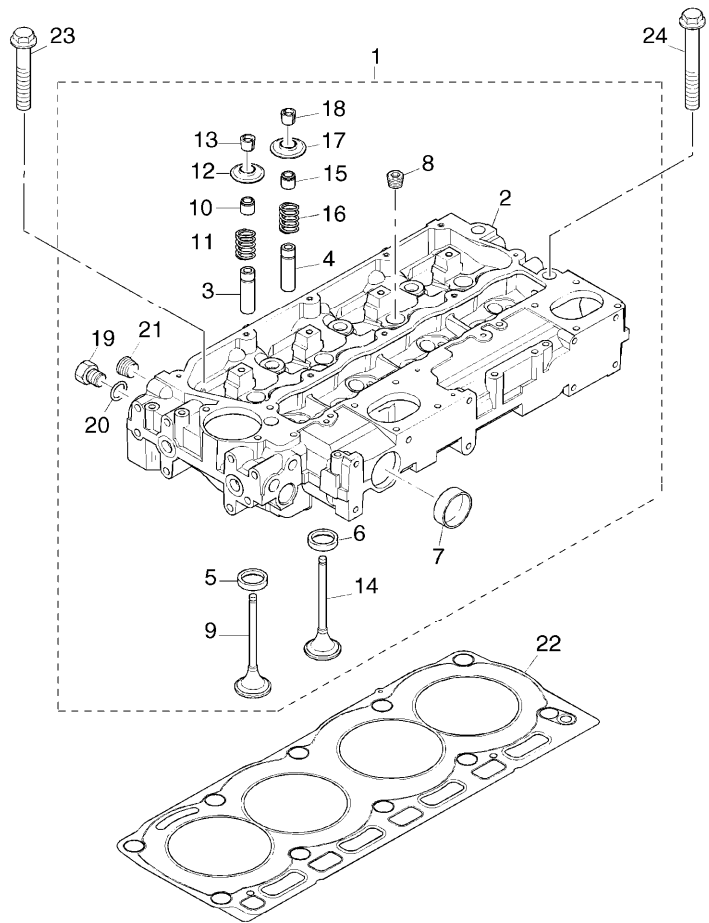
RP67\000022254.png

A-05
06



A0506

Cylinder head



21 2431154 ! 1

22 3681E051

23 3218A011

24 3218A012

! This is a component of an assembly

🔧 Not serviced, order

🔴 Replacement

A Green

B Brown

Inglese

2 Plug

1 Gasket

7 Screw

3 Screw

Engine

X60 Series (2011-2014) - RP67 - X60.40

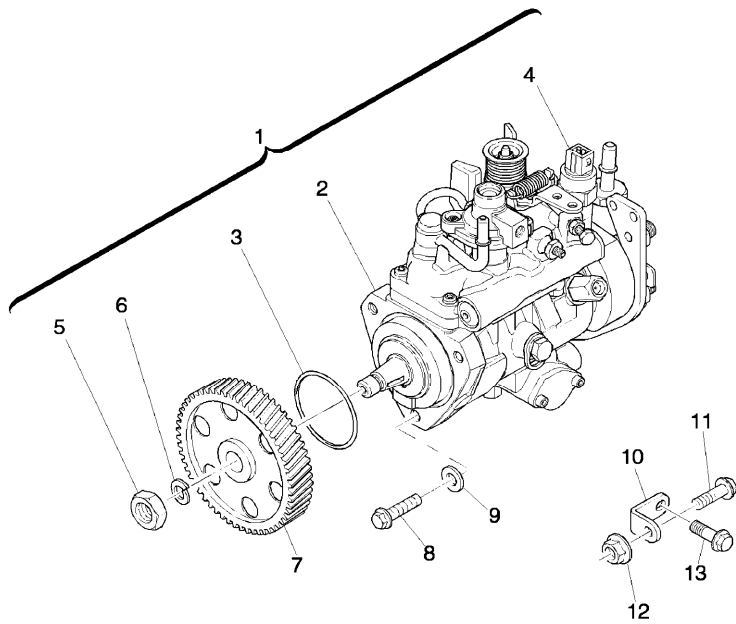
RP67\000022255.png

A-05
07



A0507

Injection pump assy



- | | | | | |
|----|-------------|---|---------|--|
| 1 | 2644C311/22 | | | |
| 2 | | ! | 1 | |
| | | ➡ | Ref.n.1 | |
| 3 | 26420318 | ! | 1 | |
| 4 | 26420469 | ! | 1 | |
| 5 | 2318A108 | ! | 1 | |
| 6 | K134AF01 | ! | 1 | |
| 7 | 3117L261 | | | |
| 8 | 2314H004 | | | |
| 9 | 2411D008 | | | |
| 10 | 3641A007 | | | |
| 11 | 2314H003 | | | |
| 12 | 2318A603 | | | |
| 13 | 2314J002 | | | |
- ! This is a component of an assembly
➡ Not serviced, order

Inglese

- 1 Pump
- 1 Pump
- 1 Ring
- 1 Solenoid
- 1 Nut
- 1 Washer
- 1 Gear
- 3 Screw
- 3 Washer
- 1 Stirrup
- 1 Screw
- 1 Nut
- 1 Screw

Engine

X60 Series (2011-2014) - RP67 - X60.40

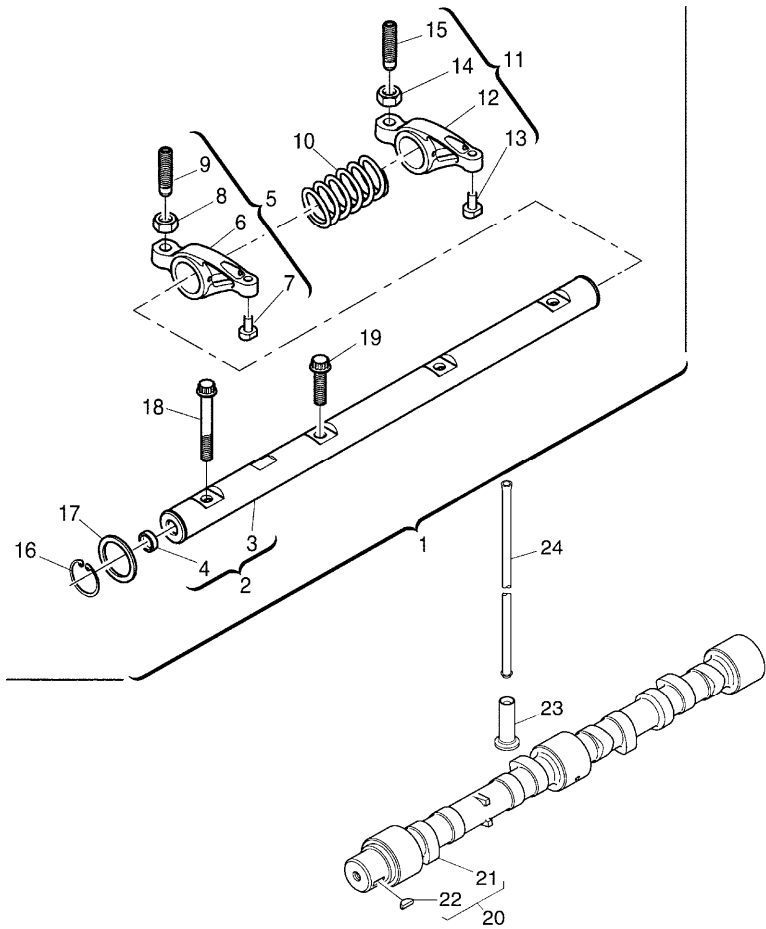
RP67\000015075.png

A-05
08



A0508

Rocker shaft



			Inglese
1	4115R613		1 Axle
2	4115R703	! 1	1 Shaft
3		! 2	1 Axe
4	2485A104	! 2	2 Plug
5	4115R319	! 1	4 Lever
6		! 5	1 Rocker
7		! 5	1 Pad
8	3331A006	! 5	1 Nut
9	3211C004	! 5	1 Screw
10	3174A015	! 1	3 Spring
11	4115R318	! 1	4 Lever
12		! 11	1 Rocker
13		! 11	1 Pad
14	3331A006	! 11	1 Nut
15	3211C004	! 11	1 Screw
16	2722A022	! 1	2 Ring
17	2134A502	! 1	2 Washer
18	2316A901	! 1	1 Screw
19	2316A902	! 1	3 Screw
20	4112K072		1 Shaft

Engine

X60 Series (2011-2014) - RP67 - X60.40

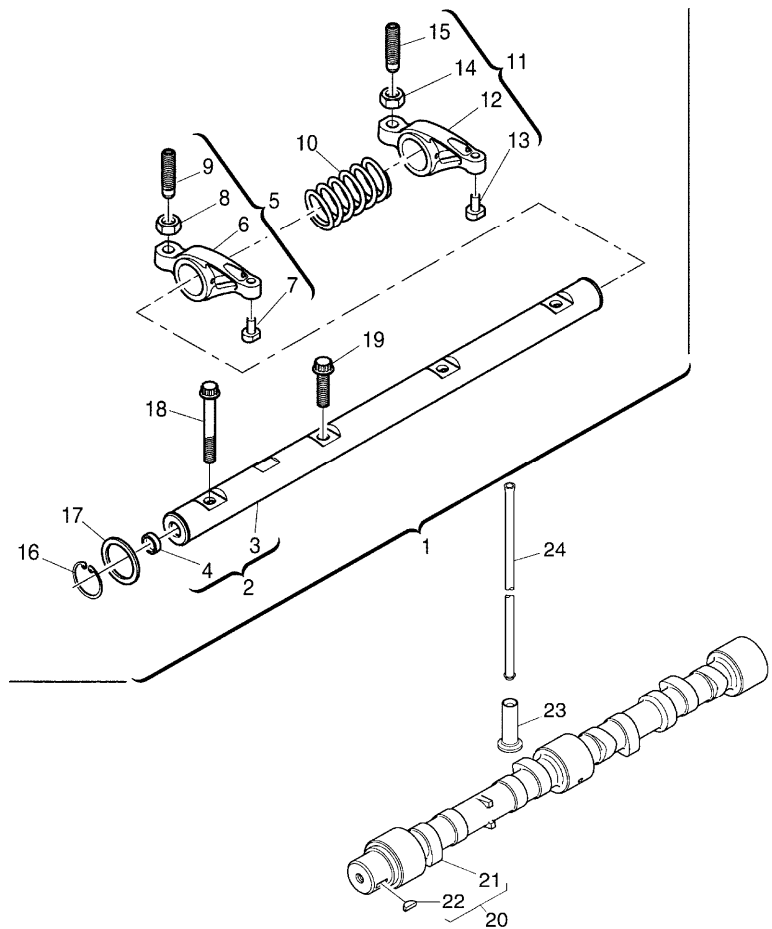
RP67\000015075.png

A-05
08



A0508

Rocker shaft



- 21 ! 20
- 22 0500012 ! 20
- 23 3142U061 ! 20
- 24 3142V011 ! 20
- ! This is a component of an assembly
- ▣ Not serviced, order

Inglese

- 1 Shaft
- 1 Key
- 8 Tappet
- 8 Rod

Engine

X60 Series (2011-2014) - RP67 - X60.40

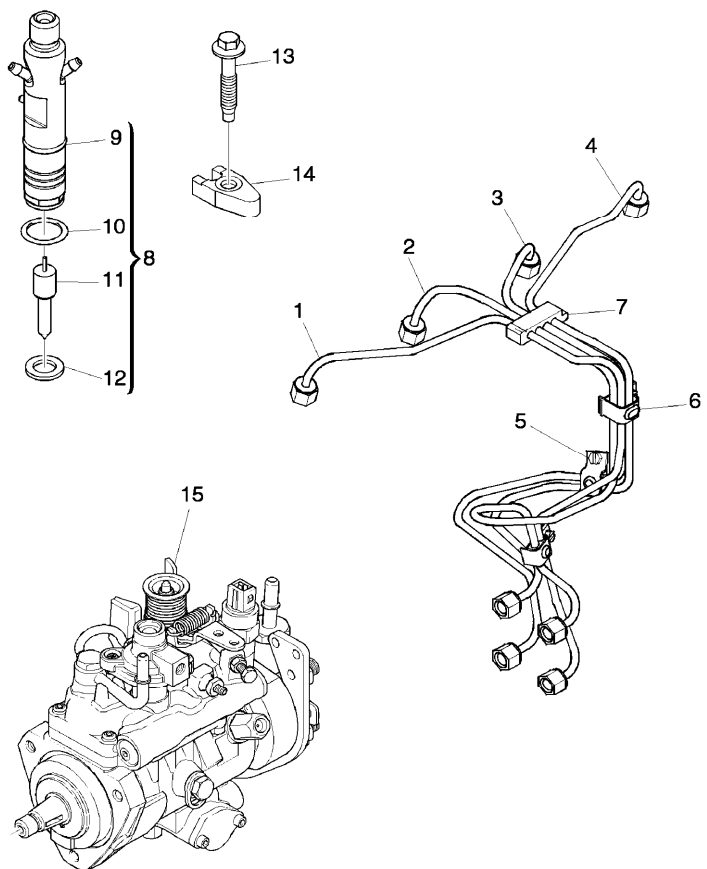
**A-05
09**



A0509

Fuel injection equipment (diesel)

RP67\000022256.png



		Inglese
1	3525A101	1 Pipe
2	3525A102	1 Pipe
3	3525A103	1 Pipe
4	3525A104	1 Pipe
5	2481Y011	2 Clip
6	2481Y012	1 Clip
7	2646E019	1 Clip
8	2645K026	4 Nozzle
9	!	8
	➡	Ref.n.8
10	26460064	!
		8
11	!	8
	➡	Ref.n.8
12	L311FF02	!
		8
13	2314W009	1 Washer
14	3751A241	4 Screw
15	⦿	A-05 07 1
		1 Injection pump

! This is a component of an assembly

⦿ See page - reference number

➡ Not serviced, order

Engine

X60 Series (2011-2014) - RP67 - X60.40

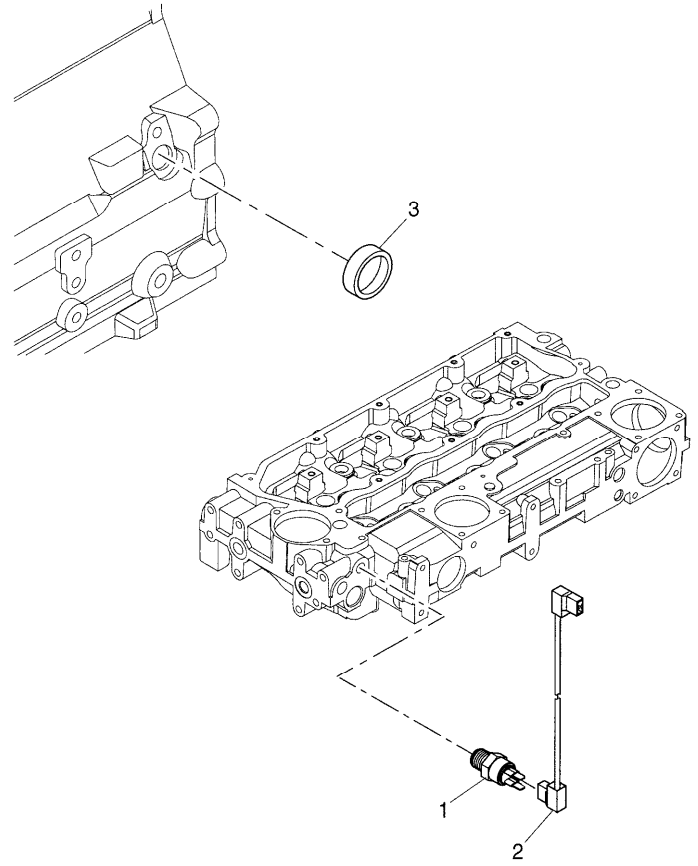
RP67\000020530.png

A-05
10



A0510

Sensor pickup



- 1 2848A123 A
- 2 3161C017
- 3 2485A109
- A Water temperature

Inglese

- 1 Sensor
- 1 Cable
- 1 Plug

Engine

X60 Series (2011-2014) - RP67 - X60.40

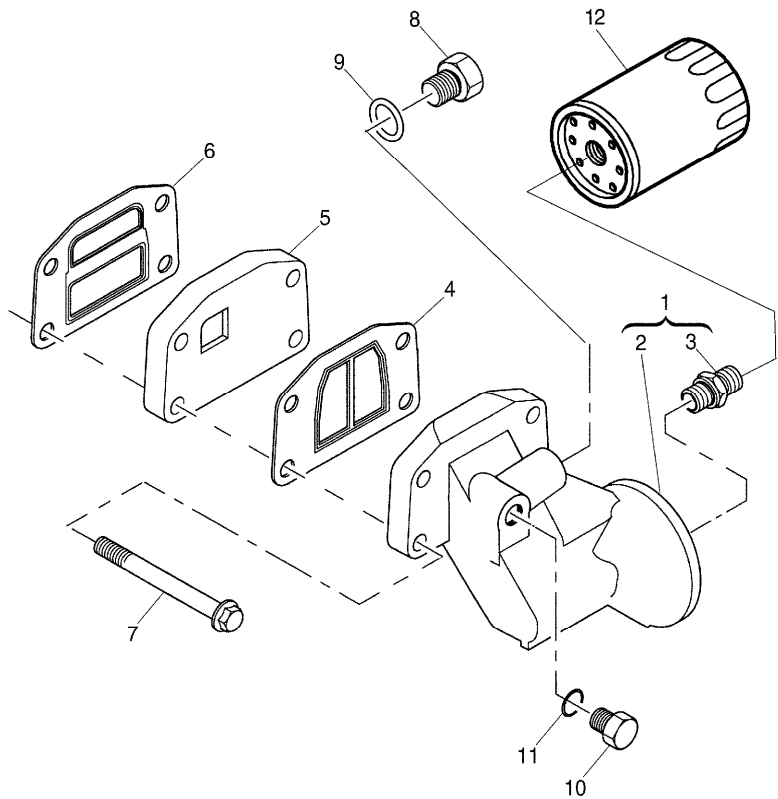
RP67\000020539.png

**A-05
11**



A0511

Lube oil filters



- | | | | | | |
|----|----------|---|---------|---------|--------------|
| 1 | 3773A071 | | | Inglese | 1 Head |
| 2 | | ! | 1 | | 1 Head |
| | | ➡ | Ref.n.1 | | |
| 3 | | ! | 1 | | 1 Union |
| | | ➡ | Ref.n.1 | | |
| 4 | 3688A041 | | | | 1 Gasket |
| 5 | 3773A081 | | | | 1 Adaptor |
| 6 | 3688A039 | | | | 1 Gasket |
| 7 | 2314H038 | | | | 4 Screw |
| 8 | 3278A004 | | | | 1 Plug |
| 9 | 2415H002 | | | | 1 Ring |
| 10 | 3278A007 | | | | 1 Plug |
| 11 | 2415H009 | | | | 1 O ring |
| 12 | 701899A1 | | | | 1 Oil filter |

! This is a component of an assembly
➡ Not serviced, order

Engine

X60 Series (2011-2014) - RP67 - X60.40

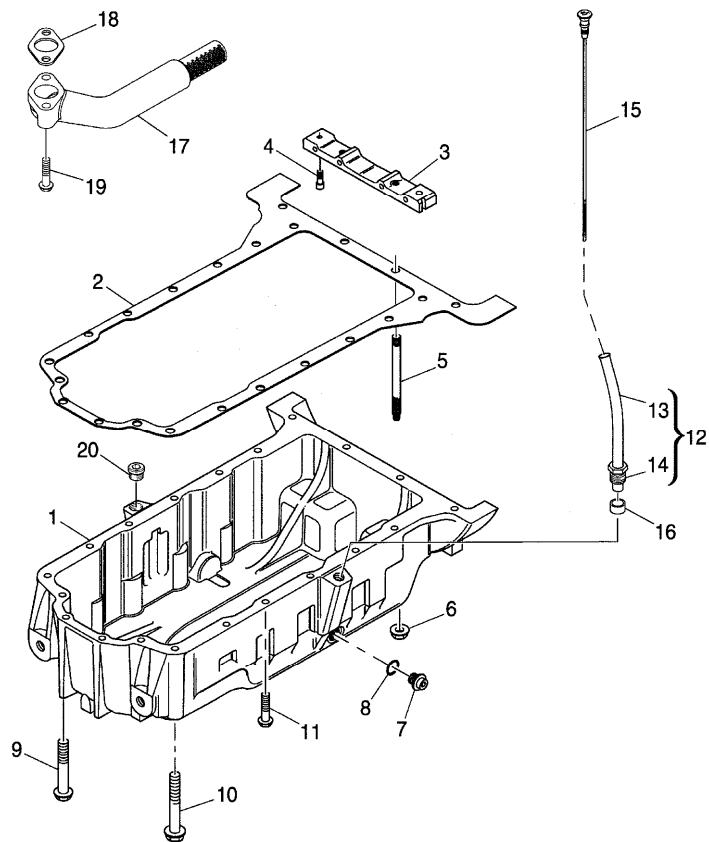
RP67\000014129.png

A-05
12



A0512

Oil sump



- 1 3717E261
 - 2 3681K036
 - 3 3627P041
 - 4 2311D039
 - 5 3211P013
 - 6 2318A603
 - 7 32186405
 - 8 2415715
 - 9 2314H023
 - 10 2314H022
 - 11 2314H015
 - 12 3577A125
 - 13
 - 14 3353D005
 - 15 3178C088
 - 16 33812116
 - 17 3765A111
 - 18 36832137
 - 19 2314H006
 - 20 2431A016
- ! This is a component of an assembly
- ➡ Not serviced, order
- Replacement

● 2314H052(1)

! 12

➡ Ref.n.12

! 12

Inglese

- 1 Sump
- 1 Gasket
- 1 Crosspiece
- 2 Screw
- 2 Stud
- 2 Nut
- 2 Plug
- 2 Ring
- 5 Screw
- 1 Screw
- 12 Screw
- 1 Pipe
- 1 Pipe
- 1 Nut
- 1 Rod
- 1 Olive
- 1 Pipe
- 1 Gasket
- 2 Screw
- 1 Plug

Engine

X60 Series (2011-2014) - RP67 - X60.40

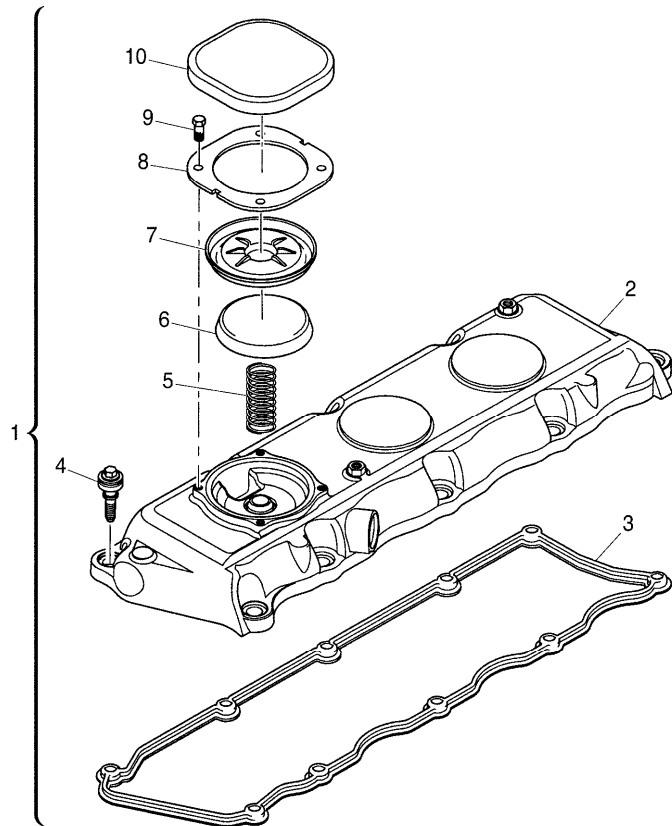
RP67\000020533.png

A-05
13



A0513

Cylinder head cover



1	4142X325	●	T417478(1)
2		!	1
3	3681A055	!	1
4	2161A013	!	1
5	3174A017	!	1
6	3788A002	!	1
7	3789A001	!	1
8	3615A009	!	1
9	2151A001	!	1
10	3788A003	!	1
		!	This is a component of an assembly
		➡	Not serviced, order
		●	Replacement

Inglese

1	Coperch.
1	Cover
1	Gasket
10	Screw
1	Spring
1	Cap
1	Diaphragm
1	Plate
4	Screw
1	Cap

Engine

X60 Series (2011-2014) - RP67 - X60.40

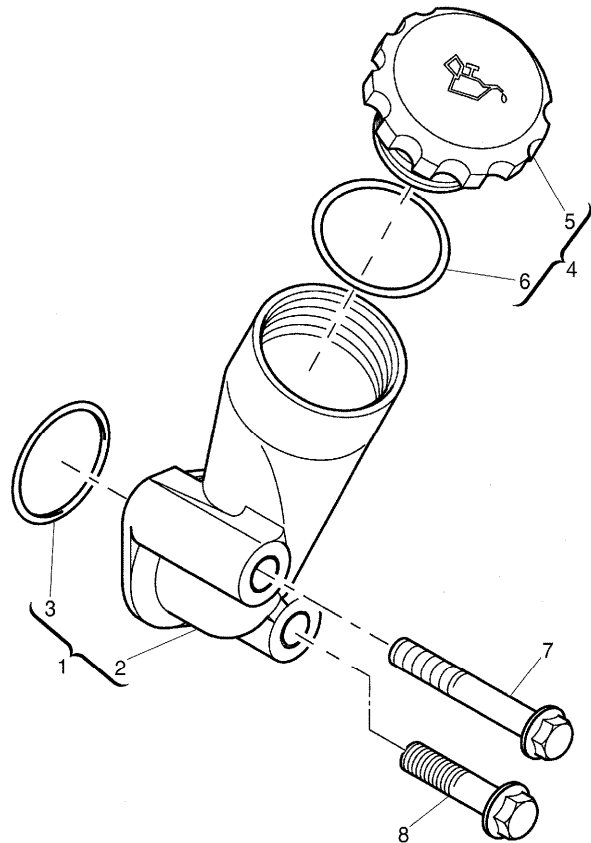
RP67\000020589.png

A-05
14



A0514

Filler



		Inglese	
1	4134C073	1	Filler
2	!	1	Body
	➡ Ref.n.1		
3	2415H651	1	O ring
4	4142X098	1	Plug
5	!	4	Plug
	➡ Ref.n.4		
6	2415633	4	O ring
7	2314K161	1	Screw
8	2314H008	1	Screw

- ! This is a component of an assembly
- ➡ Not serviced, order

Engine

X60 Series (2011-2014) - RP67 - X60.40

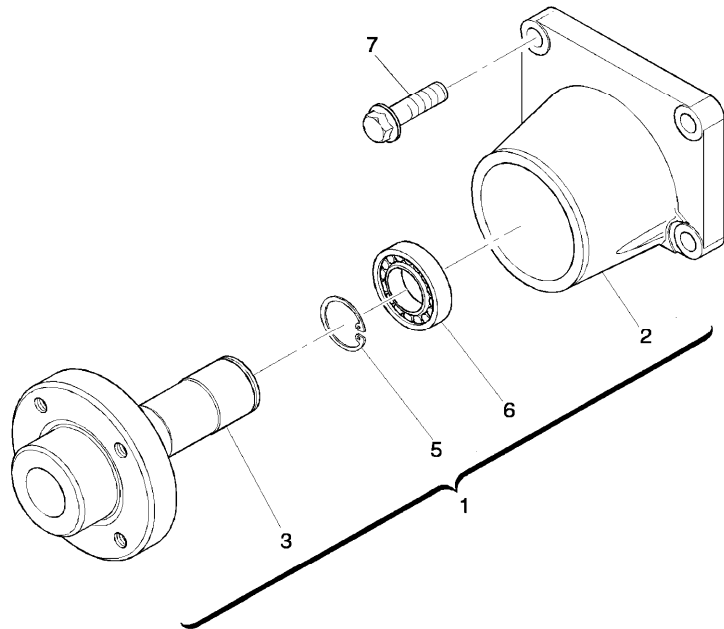
RP67\000022257.png

A-05
15



A0515

Fan's support



- 1 4113K007
- 2 ! 1
- 3 ! 1
- 4 ! 1
- 5 2722A022 ! 1
- 6 ! 1
- 7 2314J005
- ! This is a component of an assembly
- Not serviced, order

Inglese

- 1 Stirrup
- 1 Stirrup
- 1 Hub
- 1 Spacer
- 1 Ring
- 2 Bearing
- 4 Screw

Engine

X60 Series (2011-2014) - RP67 - X60.40

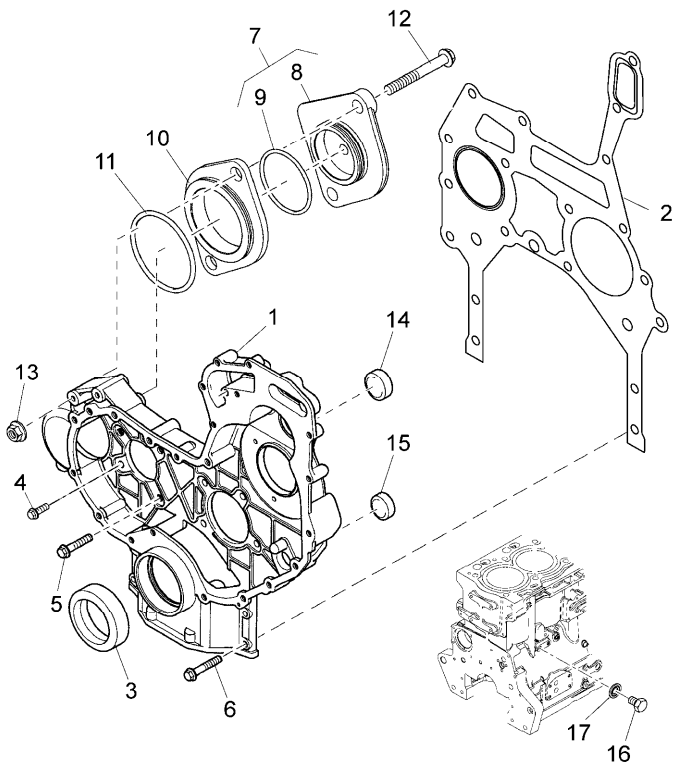
RP67\000015081.png

A-05
16



A0516

Gasket sets



- | | | | | | |
|----|----------|-----------|---------|---|---------|
| 1 | 3716C581 | | Inglese | 1 | Housing |
| 2 | 3681P053 | | | 1 | Gasket |
| 3 | 2418F437 | | | 1 | Gasket |
| 4 | 2314H003 | | | 6 | Screw |
| 5 | 2314H006 | | | 2 | Screw |
| 6 | 2314H034 | | | 4 | Screw |
| 7 | 4148K012 | | | 1 | Plate |
| 8 | | ! 7 | | 1 | Plate |
| | | ➡ Ref.n.7 | | | |
| 9 | 2415H515 | ! 7 | | 1 | Ring |
| 10 | 3617a044 | | | 1 | Disc |
| 11 | 2415H516 | | | 1 | O ring |
| 12 | 2314J014 | | | 2 | Screw |
| 13 | 2318A604 | | | 2 | Nut |
| 14 | 2485A124 | | | 1 | Plug |
| 15 | 2485A124 | | | 1 | Plug |
| 16 | 2314C049 | | | 1 | Screw |
| 17 | 2415D053 | | | 1 | Washer |

! This is a component of an assembly
 ➡ Not serviced, order

Engine

X60 Series (2011-2014) - RP67 - X60.40

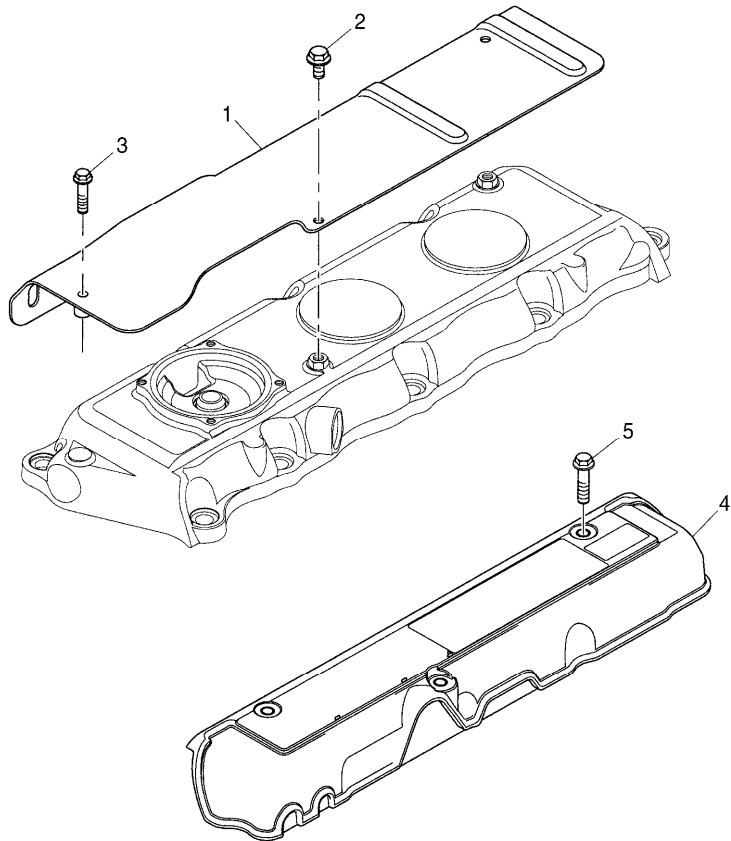
RP67\000020537.png

A-05
17



A0517

Cylinder head cover



- 1 3812A026
- 2 2314F001
- 3 2314F006
- 4 3788N003
- 5 2314F003

Inglese

- 1 Heatshield
- 2 Screw
- 1 Screw
- 1 Cover
- 3 Screw



Suggest:

For more complete manuals. Please go to the home page.

<https://www.ebooklibonline.com>

If the above button click is invalid. Please download this document first, and then click the above link to download the complete manual.

Thank you so much for reading

Engine

X60 Series (2011-2014) - RP67 - X60.40

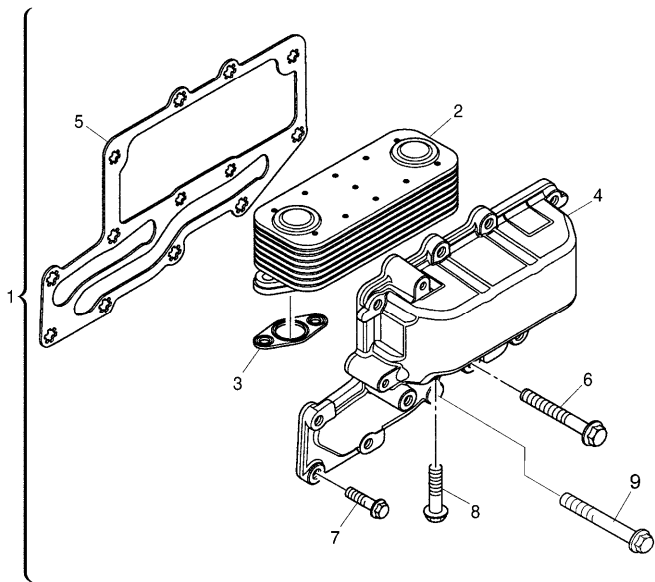
RP67\000015031.png

A-05
18



A0518

Oil bath air filter - lautrette



- 1 4134W025
- 2 2486A217 ! 1
- 3 3685A025 ! 1
- 4 ! 1
- 5 3685A033 ! 1
- 6 2314K161 ! 1
- 7 2314H004 ! 1
- 8 2314H006 ! 1
- 9 2311D060 ! 1

➡ Ref.n.1

Inglese

- 1 Radiator
- 1 Exchanger
- 2 Ring
- 1 Cooler
- 1 Gasket
- 3 Screw
- 8 Screw
- 4 Screw
- 2 Screw

! This is a component of an assembly
 ➡ Not serviced, order

Engine

X60 Series (2011-2014) - RP67 - X60.40

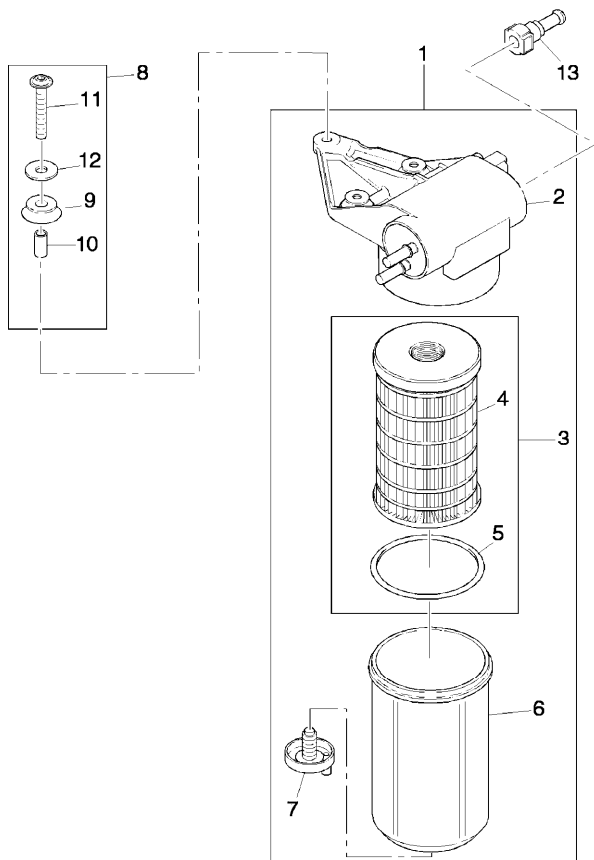
RP67\000022264.png

**A-05
19**



A0519

Lift pump



				Inglese
1	4132A018	●	N.L.S.(1)	1 Pump
2		!	1	1 Pump
3	26560201	!	1	1 Filter
4		!	2	1 Filter
5		!	2	1
6	2656F837	!	1	1 Bowl
7	2656F836	!	1	1 Valve
8	U5MK1239			1 Support
9		!	8	6 Support
10		!	8	3 Spacer
11	2316T135	!	8	3 Screw
12	2131A507	!	8	3 Washer
13	3763A046			1 Connection

- ! This is a component of an assembly
- Not serviced, order
- Replacement

<https://www.ebooklibonline.com>

Hello dear friend!

Thank you very much for reading.

Enter the link into your browser.

The full manual is available for immediate download.

<https://www.ebooklibonline.com>