

Engine

X60 Series (2011-2014) - RP67 - X60.20

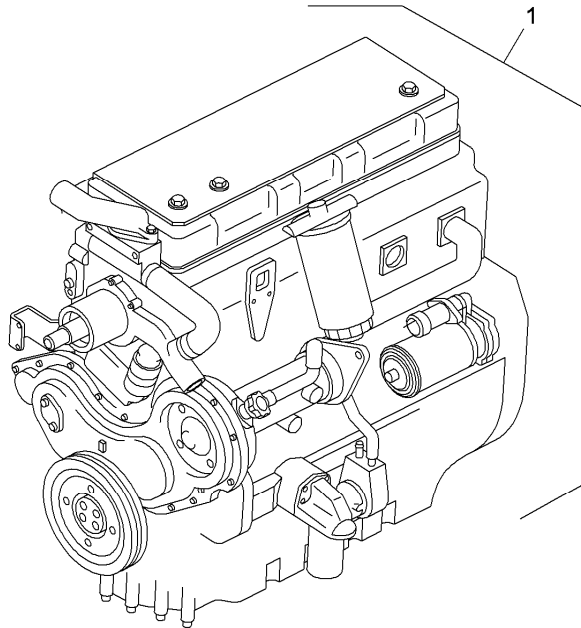
RP67\00005987.png

A-05
01



A0501

Engine assembly



			Inglese
1	4214859M91	68 kw - perkins nn	1 Engine
	A		
1	6510949M91	68 kw - perkins nn	1 Engine
	B		
1	6512078M91	68 kw - perkins nn	1 Engine
	C		
	D		
1	6512331M91	68 kw - perkins nn	1 Engine
	C		
	E		
A	Tier 3		
B	Tier 3b		
C	Flexibility engine		
D	Cee		
E	Nao		

Engine

X60 Series (2011-2014) - RP67 - X60.20

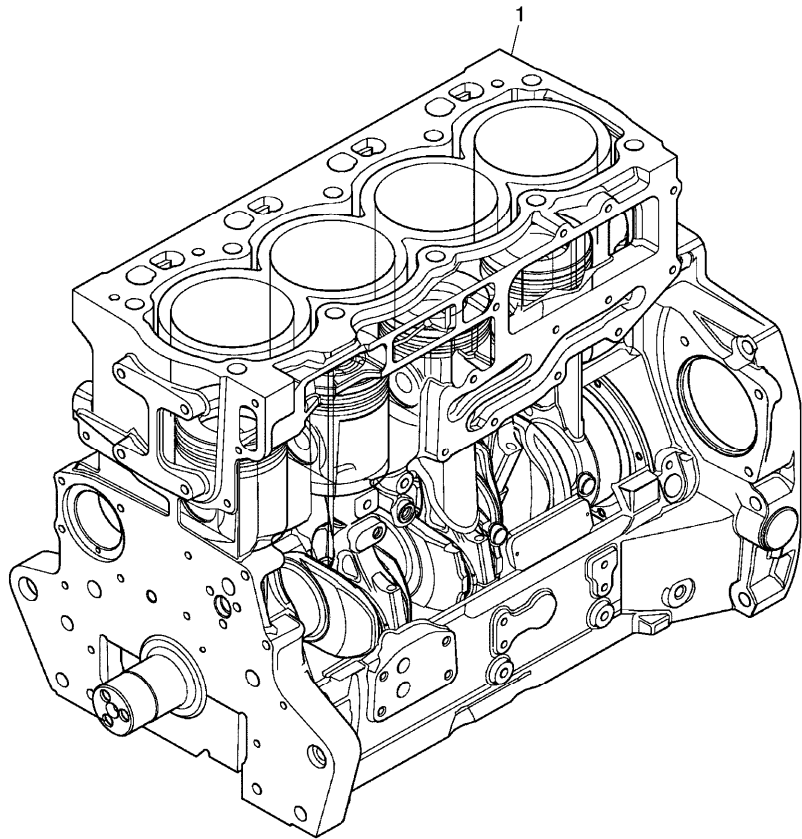
RP67\000015070.png

A-05
015



A05015

Short engine



Inglese

- | | | | | | |
|---|---------|--|----------------------------------|---|--------------|
| 1 | NM40008 | | U056074 t | 1 | Short engine |
| | | | 3115A141(1),
32186146(3), NM4 | | |
| 1 | NM40019 | | U056075 t | 1 | Short engine |

- From serial or engine number
- Up to serial or engine number
- Replacement

Engine

X60 Series (2011-2014) - RP67 - X60.20

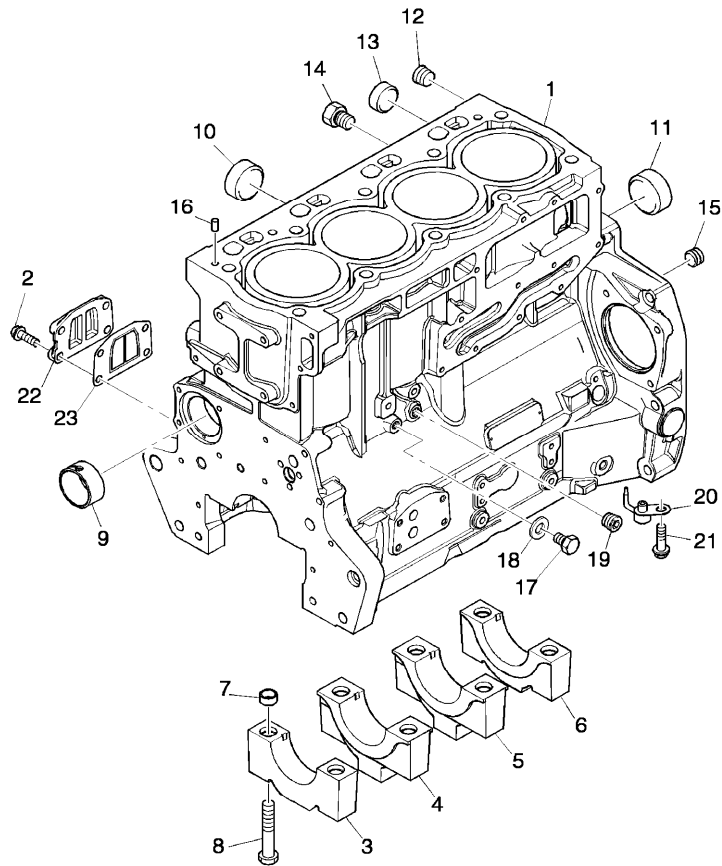
RP67\000022252.png

A-05
02



A0502

Cylinders block



		Inglese	
1	ZZ50321	U056074 t	1 Block
		ZZ50325(1)	
1	ZZ50325	U056075 t	1 Block
2	2314H034		4 Screw
3		!	1 Bearing cup
		Ref.n.1	
4		!	1 Bearing cup
		Ref.n.1	
5		!	1 Bearing cup
		Ref.n.1	
6		!	1 Bearing cup
		Ref.n.1	
7	33142111		10 Manicott
8	32166329		10 Screw
9	3112D071	●	1 Bush
10	3241A011		2 Plug
11	3241A012		1 Plug
12	0650588		1 Plug
13	0650710		1 Plug
14	32141316		1 Plug
15	3212P008		1 Plug
16	3244A009		2 Dowel
17	2314C049		1 Screw
18	2415D053		1 Washer
19	0650594		1 Plug

<https://www.ebooklibonline.com>

Hello dear friend!

Thank you very much for reading.

Enter the link into your browser.

The full manual is available for immediate download.

<https://www.ebooklibonline.com>

Engine

X60 Series (2011-2014) - RP67 - X60.20

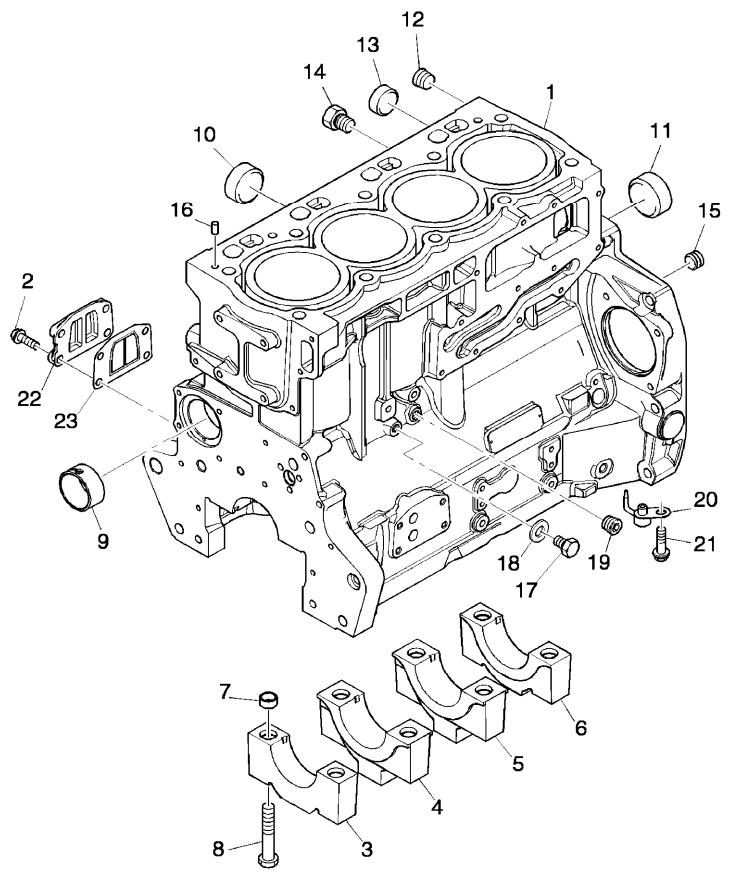
A-05
02



A0502

Cylinders block

RP67\000022252.png



Inglese

- 20 2113A003
 - 21 2314F001
 - 22 3753A071
 - 23 3688A041
 - ! This is a component of an assembly
 - ➔ From serial or engine number
 - ➡ Up to serial or engine number
 - 🔧 Not serviced, order
 - Replacement
- 4 Atomiser
 - 4 Screw
 - 1 Coperch.
 - 1 Gasket

Engine

X60 Series (2011-2014) - RP67 - X60.20

RP67\000015074.png

A-05
03



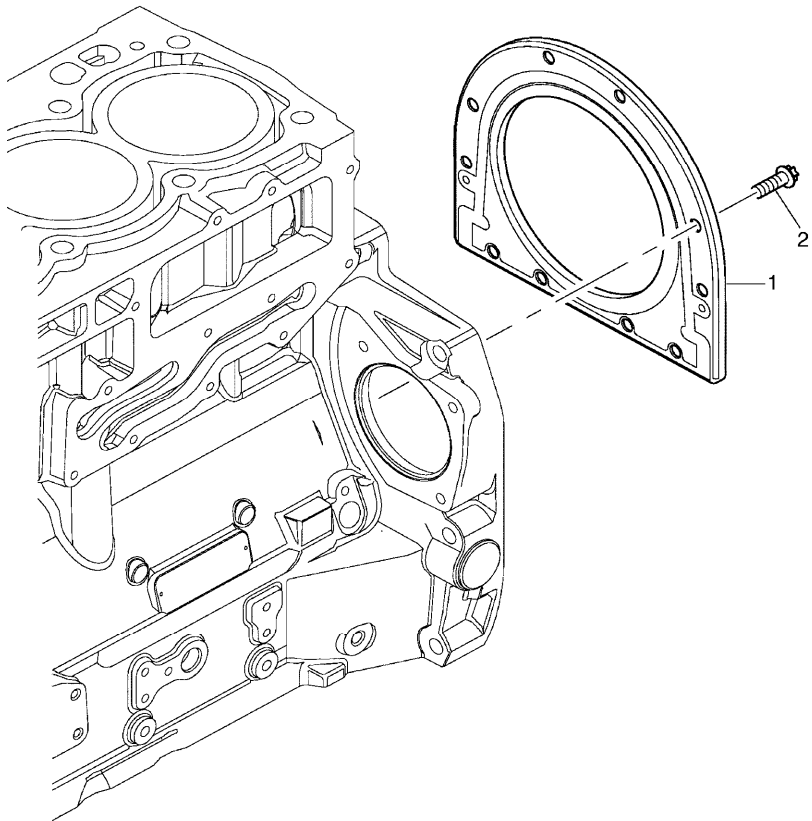
A0503

End cover

Inglese

- 1 2418F704
- 2 3211C002

- 1 Housing
- 10 Screw



Engine

X60 Series (2011-2014) - RP67 - X60.20

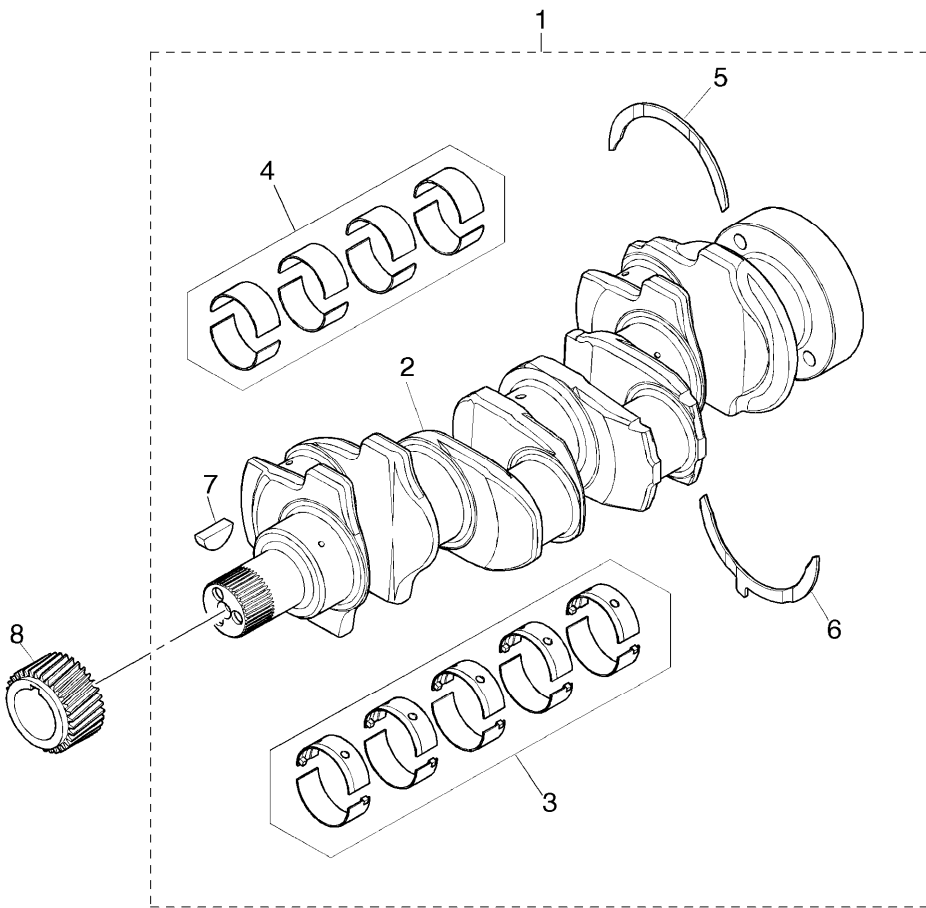
RP67\000022253.png

A-05
04



A0504

Crankshaft



		Inglese	
1	ZZ90222	➔ U056074 t	1 Kit
		● ZZ90239(1)	
1	ZZ90237	➔ U056075 t	1 Shaft
2		! 1	1 Crankshaft
		➔ Ref.n.1	
3	U5MB0018	! 1	1 Kit
		➔ U056074 t	
		● U5MB0033(1)	
3	U5MB0018A	! 1	1 Kit
		⚡ 0.010 mm	
		➔ U056074 t	
		● U5MB0033A(1)	
3	U5MB0018B	! 1	1 Kit
		⚡ 0.020 mm	
		➔ U056074 t	
		● U5MB0033B(1)	
3	U5MB0018C	! 1	1 Kit
		⚡ 0.030 mm	
		➔ U056074 t	
		● N.L.A.(1)	
3	U5MB0033	! 1	1 Kit
		➔ U056075 t	
3	U5MB0033A	! 1	1 Kit
		⚡ -0.25 mm	
		➔ U056075 t	

Engine

X60 Series (2011-2014) - RP67 - X60.20

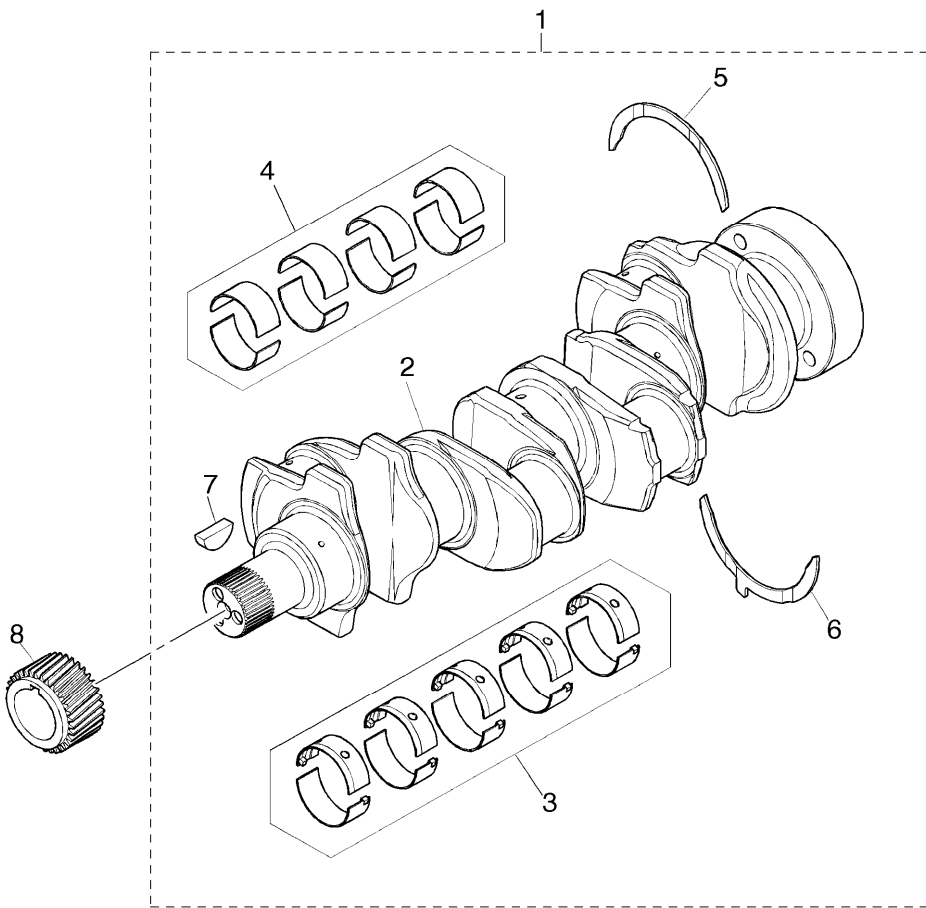
RP67\000022253.png

A-05
04



A0504

Crankshaft



				Inglese
3	U5MB0033B	!	1	1 Kit
		⚡	-0.50 mm	
		➔	U056075 t	
3	U5MB0033C	!	1	1 Kit
		⚡	-0.75 mm	
		➔	U056075 t	
		●	N.L.A.(1)	
4	T400002	!	1	1 Kit
		➔	U056075 t	
		●	T410927(1)	
4	U5ME0026	!	1	1 Kit
		➔	U056074 t	
		●	U5ME0034(1)	
4	U5ME0026A	!	1	1 Kit
		⚡	0.25 mm	
		➔	U056074 t	
		●	U5ME0034A(1)	
4	U5ME0026B	!	1	1 Kit
		⚡	0.50 mm	
		➔	U056074 t	
		●	U5ME0034B(1)	
4	U5ME0026C	!	1	1 Kit
		⚡	0.75 mm	
		➔	U056074 t	
		●	U5ME0034C(1)	

Engine

X60 Series (2011-2014) - RP67 - X60.20

RP67\000022253.png

**A-05
04**



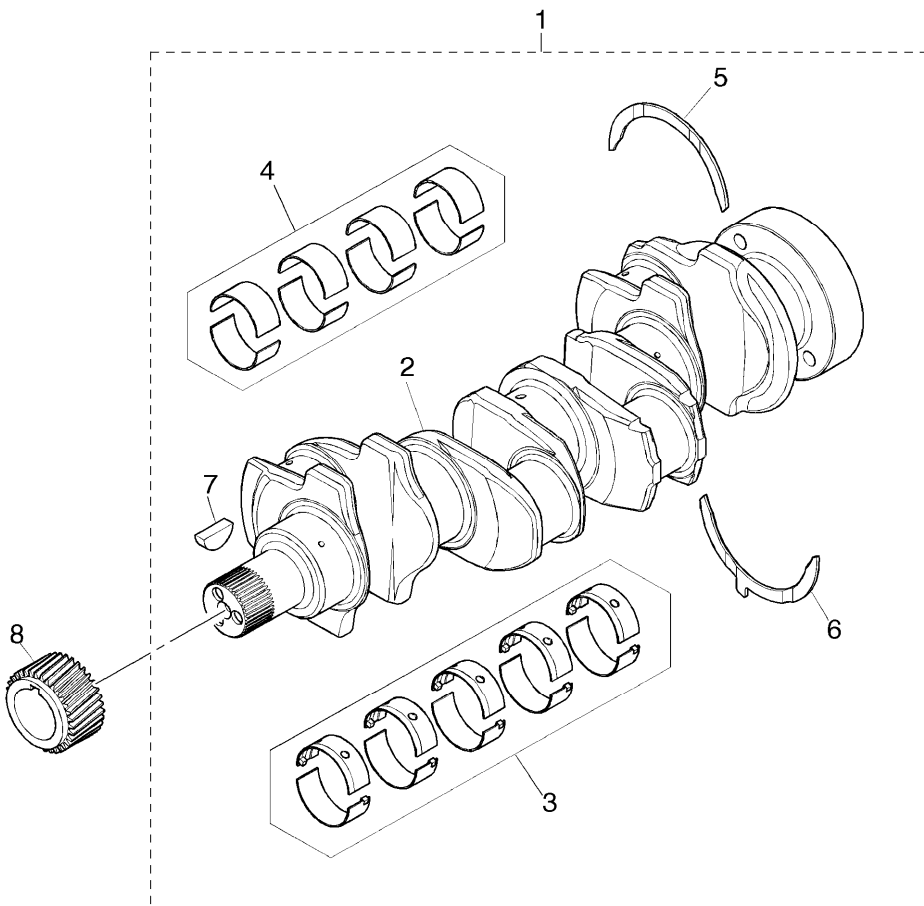
A0504

Crankshaft

Inglese

5	31137312	!	1	2	Ring
		⚡	0.007 mm		
5	31137551	!	1	2	Washer
6	31137322	!	1	2	Ring
		⚡	0.007 mm		
6	31137561	!	1	2	Washer
7	0500012	!	1	1	Key
8	3117C221			1	Gear

- ! This is a component of an assembly
- ⬇ From serial or engine number
- ⬇ Up to serial or engine number
- ⬇ Not serviced, order
- ⚡ Shim
- Replacement



Engine

X60 Series (2011-2014) - RP67 - X60.20

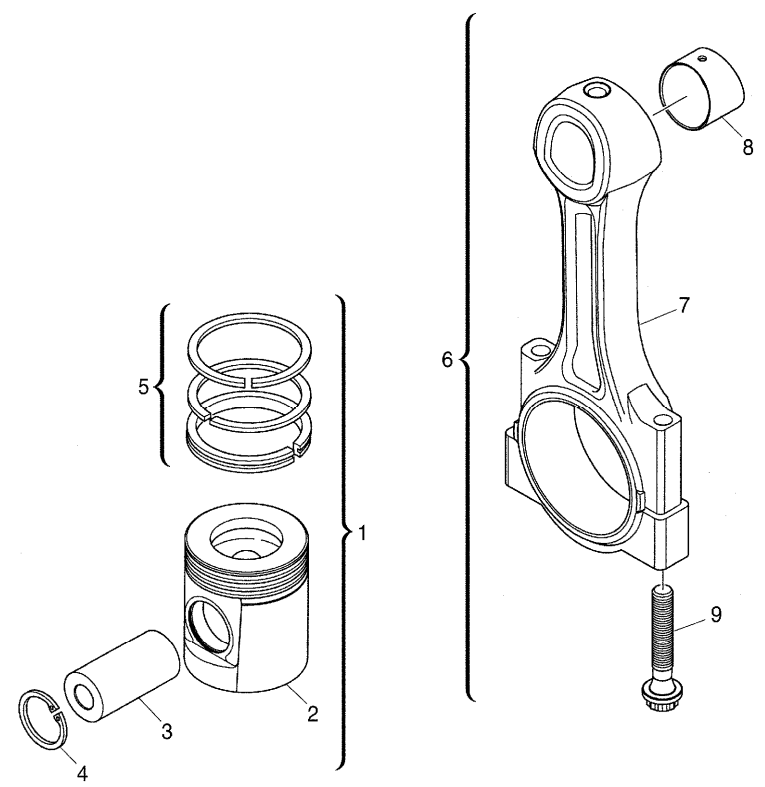
RP67\000020562.png

A-05
05



A0505

Pistons and connecting rods



			Inglese
1	U5PR0062	Std	4 Kit
1	U5PR0062B	+0,5 mm	4 Kit
2		!	1 Piston
		➡	Ref.n.1
3		!	1 Piston
		➡	Ref.n.1
4	2721332	!	2 Ring
5	UPRK0005	!	1 Kit
6	4115C311	➡	4 Kit
		A	
6	4115C312	➡	4 Kit
		B	
6	4115C313	➡	4 Kit
		C	
6	4115C314	➡	4 Kit
		D	
6	4115C315	➡	4 Kit
		E	
6	4115C316	➡	4 Kit
		F	
6	4115C361	➡	4 Conrod
		A	
6	4115C362	➡	4 Conrod
		B	
6	4115C363	➡	4 Conrod
		C	

Engine

X60 Series (2011-2014) - RP67 - X60.20

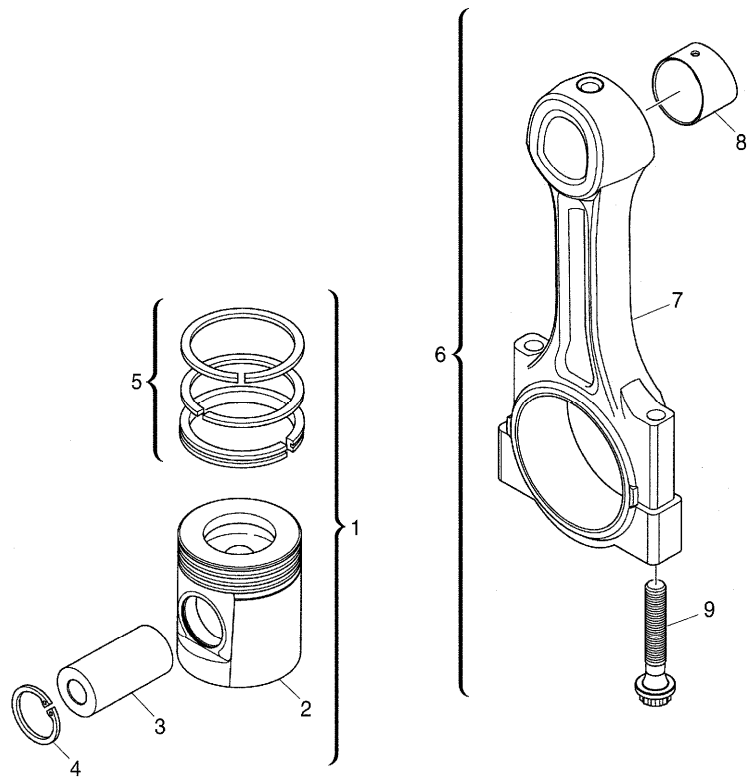
RP67\000020562.png

A-05
05



A0505

Pistons and connecting rods



		Inglese	
6	4115C364	➡ U056075 t	4 Conrod
		D	
6	4115C365	➡ U056075 t	4 Conrod
		E	
6	4115C366	➡ U056075 t	4 Conrod
		F	
7		! 6	1 Conrod
		➡ Ref.n.6	
8	3112A005	! 6	1 Bush
9	3212V003	! 6	2 Screw
		➡ U056074 t	
9	T400001	! 6	2 Screw
		➡ U056075 t	

- ! This is a component of an assembly
- ➡ From serial or engine number
- ➡ Up to serial or engine number
- ➡ Not serviced, order
- A Red
- B Orange
- C White
- D Green
- E Purple
- F Blue

Engine

X60 Series (2011-2014) - RP67 - X60.20

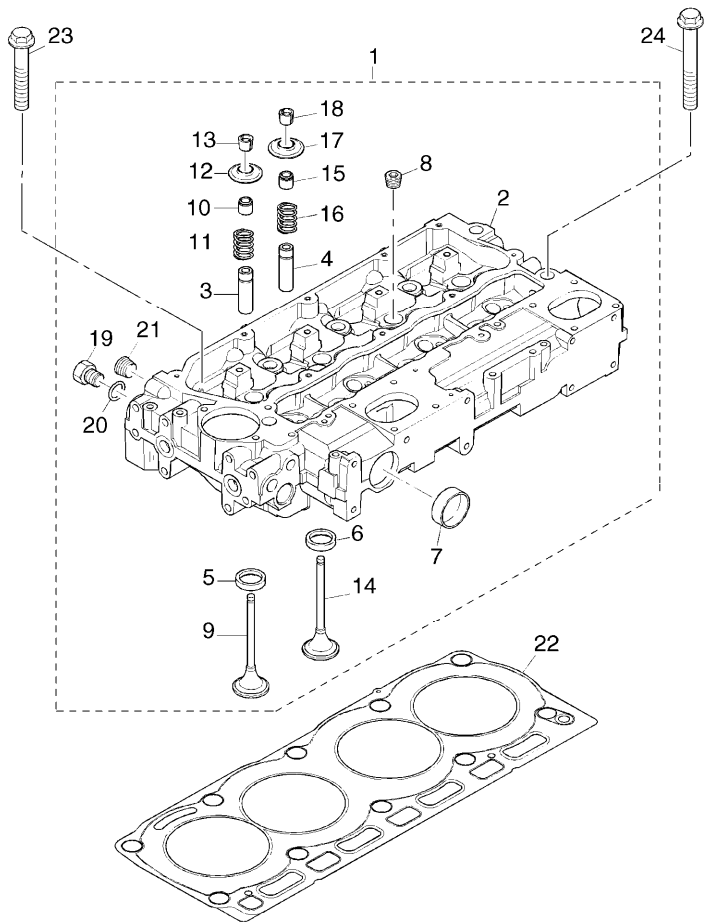
RP67\000022254.png

**A-05
06**



A0506

Cylinder head



1	ZZ80280		
2		!	1
		➡	Ref.n.1
3	3313A012	!	1
4	3313A012	!	1
5	3314A221	!	1
6	3314A231	!	1
7	32416117	!	1
8	0650588	!	1
9	3142H101	!	1
10	2418M519	!	1
		A	
11	3174A031	!	1
		●	T417479(4)
12	3342A021	!	1
13	2714A002	!	1
14	3142A171	!	1
15	2418M517	!	1
		B	
16	3174A031	!	1
		●	T417479(4)
17	3342A021	!	1
18	2714A002	!	1
19	3278A006	!	1
20	2415H003	!	1

Inglese

1	Cylinder head
1	Cylinder head
4	Insert
4	Insert
4	Insert
4	Insert
2	Plug
4	Plug
4	Valve
4	Ring
4	Spring
4	Coperch.
8	Collar
4	Valve
4	Ring
4	Spring
4	Coperch.
8	Collar
1	Plug
1	Ring

Engine

X60 Series (2011-2014) - RP67 - X60.20

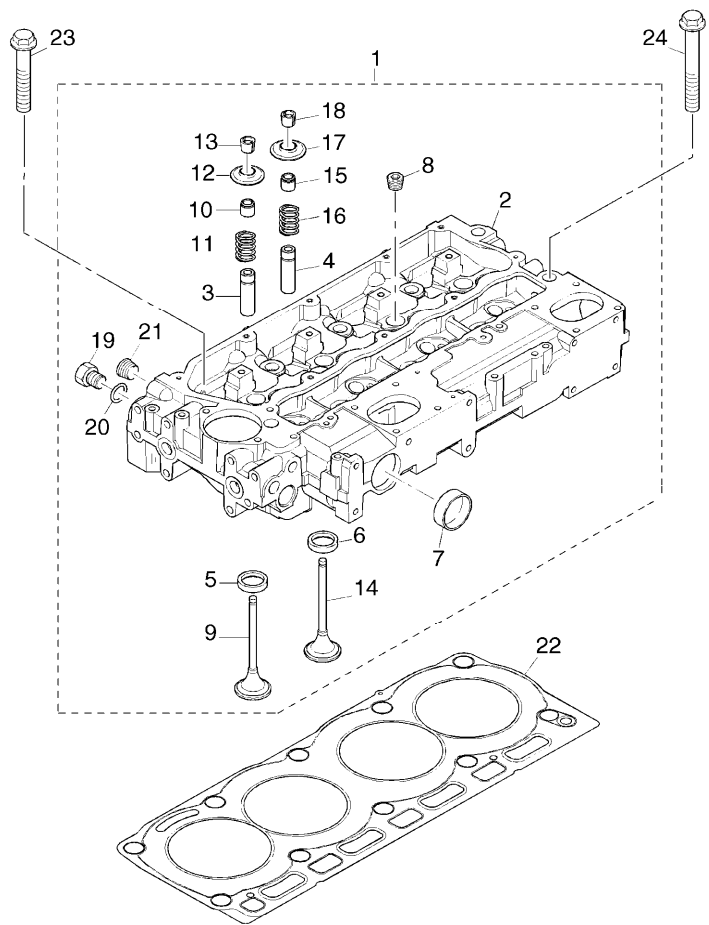
RP67\000022254.png

A-05
06



A0506

Cylinder head



21 2431154 ! 1

22 3681E051

23 3218A011

24 3218A012

! This is a component of an assembly

🔧 Not serviced, order

🔩 Replacement

A Green

B Brown

Inglese

2 Plug

1 Gasket

7 Screw

3 Screw

Engine

X60 Series (2011-2014) - RP67 - X60.20

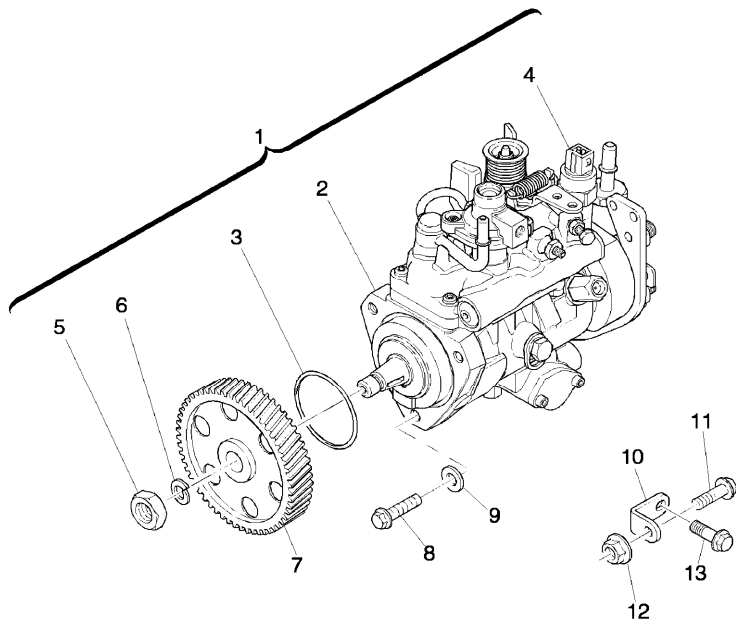
RP67\000022255.png

A-05
07



A0507

Injection pump assy



- | | | | |
|----|------------------------------------|---|---------|
| 1 | 2644C348/22 | | |
| 2 | | ! | 1 |
| | | ➡ | Ref.n.1 |
| 3 | 26420318 | ! | 1 |
| 4 | 26420469 | ! | 1 |
| 5 | 2318A108 | ! | 1 |
| 6 | K134AF01 | ! | 1 |
| 7 | 3117L261 | | 1 |
| 8 | 2314H004 | | 3 |
| 9 | 2411D008 | | 3 |
| 10 | 3641A007 | | 1 |
| 11 | 2314H003 | | 1 |
| 12 | 2318A603 | | 1 |
| 13 | 2314J002 | | 1 |
| ! | This is a component of an assembly | | |
| ➡ | Not serviced, order | | |

Inglese

- | | |
|---|----------|
| 1 | Pump |
| 1 | Pump |
| | |
| 1 | Ring |
| 1 | Solenoid |
| 1 | Nut |
| 1 | Washer |
| 1 | Gear |
| 3 | Screw |
| 3 | Washer |
| 1 | Stirrup |
| 1 | Screw |
| 1 | Nut |
| 1 | Screw |

Engine

X60 Series (2011-2014) - RP67 - X60.20

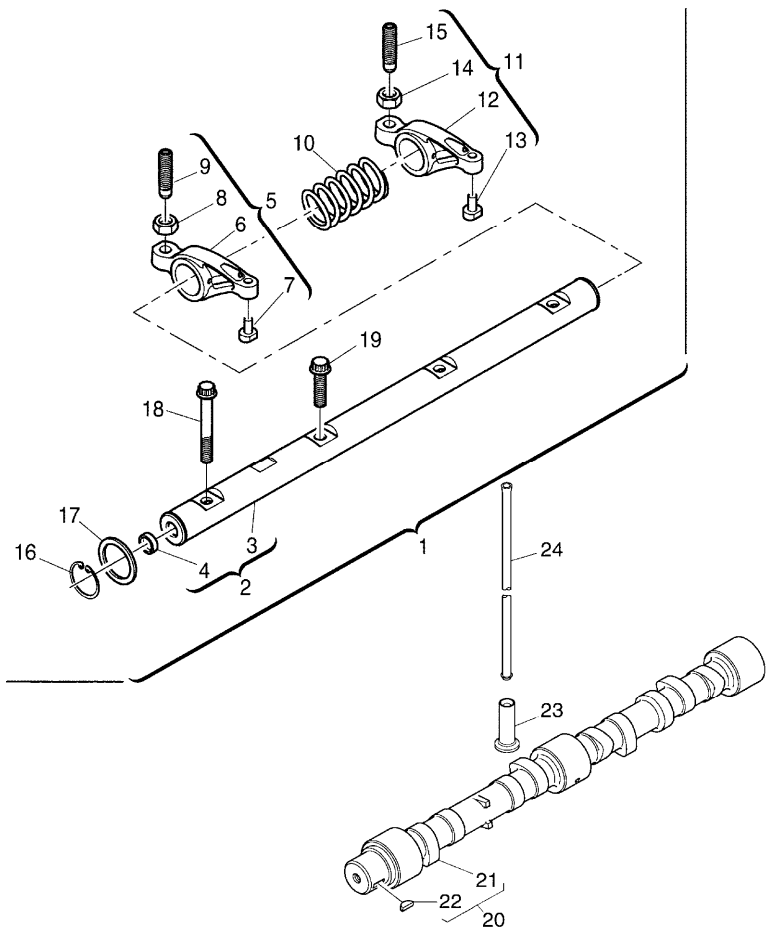
RP67\000015075.png

A-05
08



A0508

Rocker shaft



		Inglese	
1	4115R613		1 Axle
2	4115R703	! 1	1 Shaft
3		! 2	1 Axe
4	2485A104	! 2	2 Plug
5	4115R319	! 1	4 Lever
6		! 5	1 Rocker
7		! 5	1 Pad
8	3331A006	! 5	1 Nut
9	3211C004	! 5	1 Screw
10	3174A015	! 1	3 Spring
11	4115R318	! 1	4 Lever
12		! 11	1 Rocker
13		! 11	1 Pad
14	3331A006	! 11	1 Nut
15	3211C004	! 11	1 Screw
16	2722A022	! 1	2 Ring
17	2134A502	! 1	2 Washer
18	2316A901	! 1	1 Screw
19	2316A902	! 1	3 Screw
20	4112K078		1 Shaft

Engine

X60 Series (2011-2014) - RP67 - X60.20

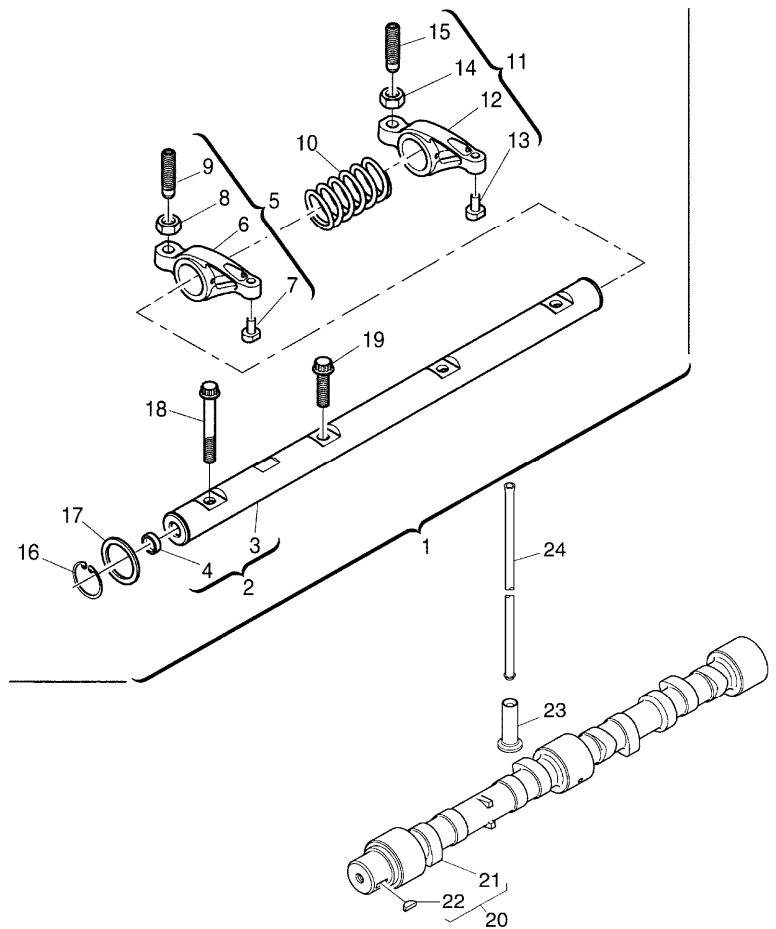
RP67\000015075.png

A-05
08



A0508

Rocker shaft



- 21 ! 20
- ! Ref.n.20
- 22 0500012 ! 20
- 23 3142U061
- 24 3142V011
- ! This is a component of an assembly
- Not serviced, order

- Inglese
- 1 Shaft
 - 1 Key
 - 8 Tappet
 - 8 Rod

Engine

X60 Series (2011-2014) - RP67 - X60.20

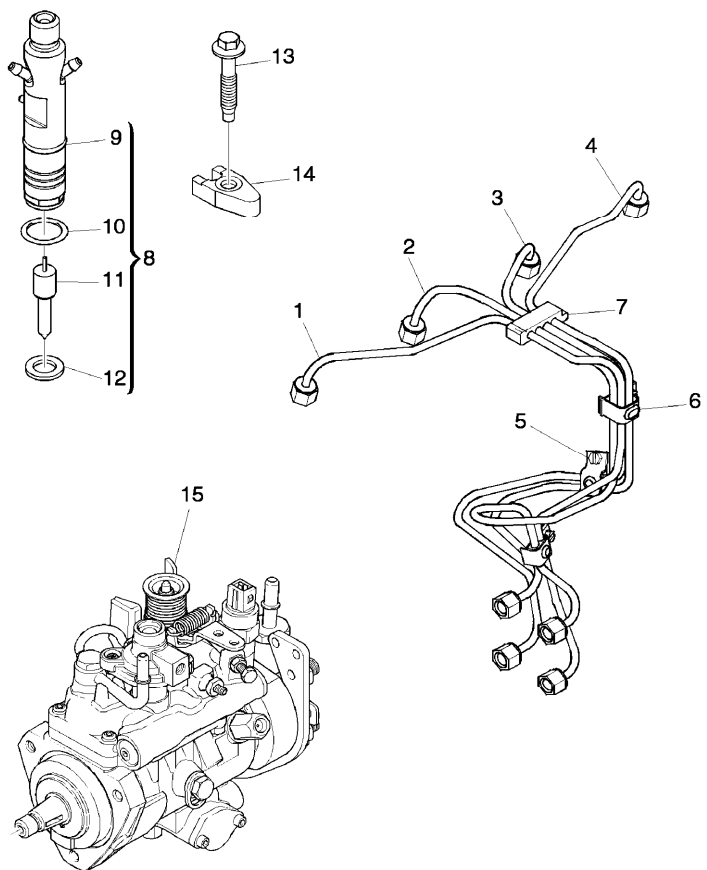
**A-05
09**



A0509

Fuel injection equipment (diesel)

RP67\000022256.png



		Inglese
1	3525A101	1 Pipe
2	3525A102	1 Pipe
3	3525A103	1 Pipe
4	3525A104	1 Pipe
5	2481Y011	2 Clip
6	2481Y012	1 Clip
7	2646E019	1 Clip
8	2645K025	4 Nozzle
9	! 8	1 Nozzle
	➡ Ref.n.8	
10	26460064 ! 8	1 Ring
11	! 8	1 Nozzle
	➡ Ref.n.8	
12	L311FF02 ! 8	1 Washer
13	2314W009 ! 8	4 Screw
14	3751A241	4 Clamp
15	👁 A-05 07 1	1 Injection pump

! This is a component of an assembly

👁 See page - reference number

➡ Not serviced, order

Engine

X60 Series (2011-2014) - RP67 - X60.20

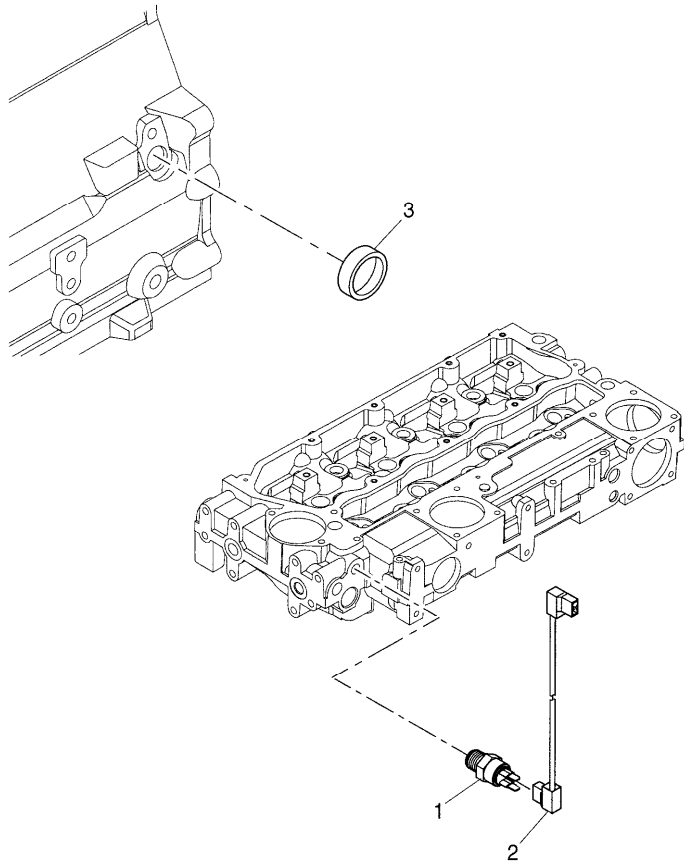
RP67\000020530.png

A-05
10



A0510

Sensor pickup



- 1 2848A123 A
- 2 3161C017
- 3 2485A109
- A Water temperature

Inglese

- 1 Sensor
- 1 Cable
- 1 Plug

Engine

X60 Series (2011-2014) - RP67 - X60.20

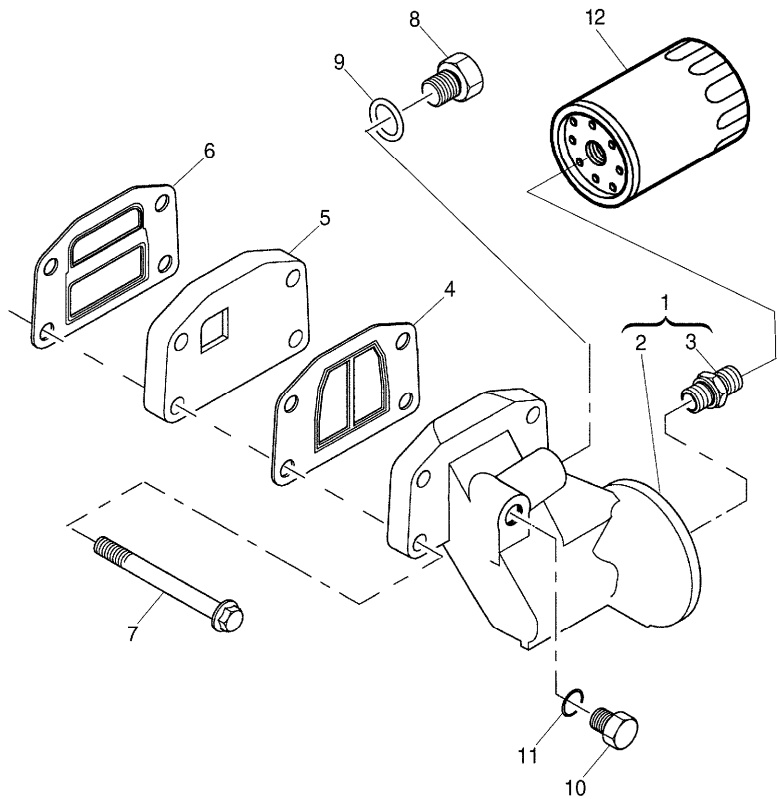
RP67\000020539.png

A-05
11



A0511

Lube oil filters



- | | | | | |
|----|----------|---|---------|--|
| 1 | 3773A071 | | | |
| 2 | | ! | 1 | |
| | | ➡ | Ref.n.1 | |
| 3 | 33554128 | ! | 1 | |
| 4 | 3688A041 | | | |
| 5 | 3773A081 | | | |
| 6 | 3688A039 | | | |
| 7 | 2314H038 | | | |
| 8 | 3278A004 | | | |
| 9 | 2415H002 | | | |
| 10 | 3278A007 | | | |
| 11 | 2415H009 | | | |
| 12 | 701899A1 | | | |
- ! This is a component of an assembly
➡ Not serviced, order

Inglese

- | | |
|---|------------|
| 1 | Head |
| 1 | Head |
| | |
| 1 | Union |
| 1 | Gasket |
| 1 | Adaptor |
| 1 | Gasket |
| 4 | Screw |
| 1 | Plug |
| 1 | Ring |
| 1 | Plug |
| 1 | O ring |
| 1 | Oil filter |

Engine

X60 Series (2011-2014) - RP67 - X60.20

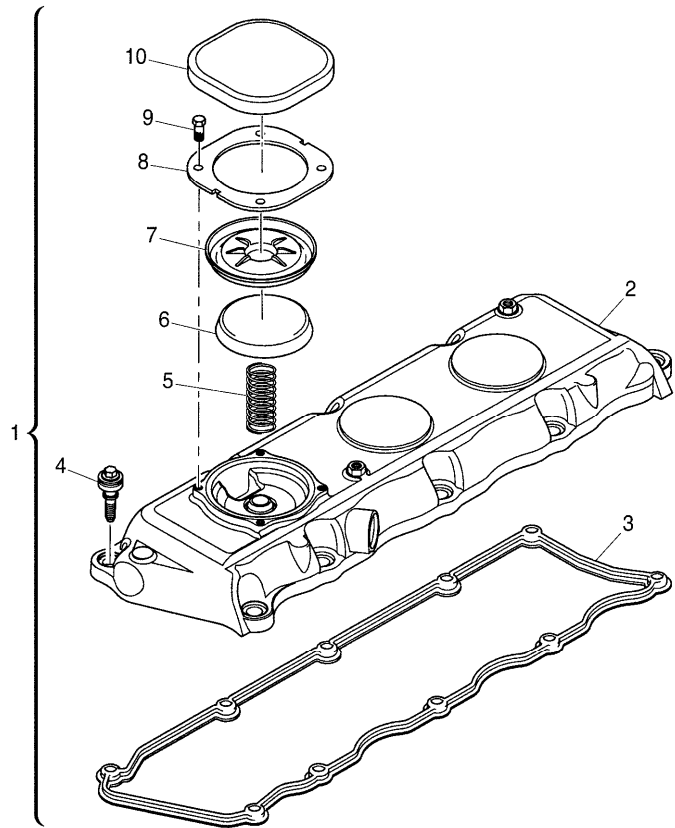
RP67\000020533.png

**A-05
13**



A0513

Cylinder head cover



				Inglese
1	4142X325	●	T417478(1)	1 Coperch.
2		!	1	1 Cover
3	3681A055	▶	Ref.n.1	
4	2161A013	!	1	1 Gasket
		▶	Ref.n.1	10 Screw
5	3174A017	!	1	1 Spring
6	3788A002	!	1	1 Cap
7	3789A001	!	1	1 Diaphragm
8	3615A009	!	1	1 Plate
9	2151A001	!	1	4 Screw
10	3788A003	!	1	1 Cap
		!	This is a component of an assembly	
		▶	Not serviced, order	
		●	Replacement	

Engine

X60 Series (2011-2014) - RP67 - X60.20

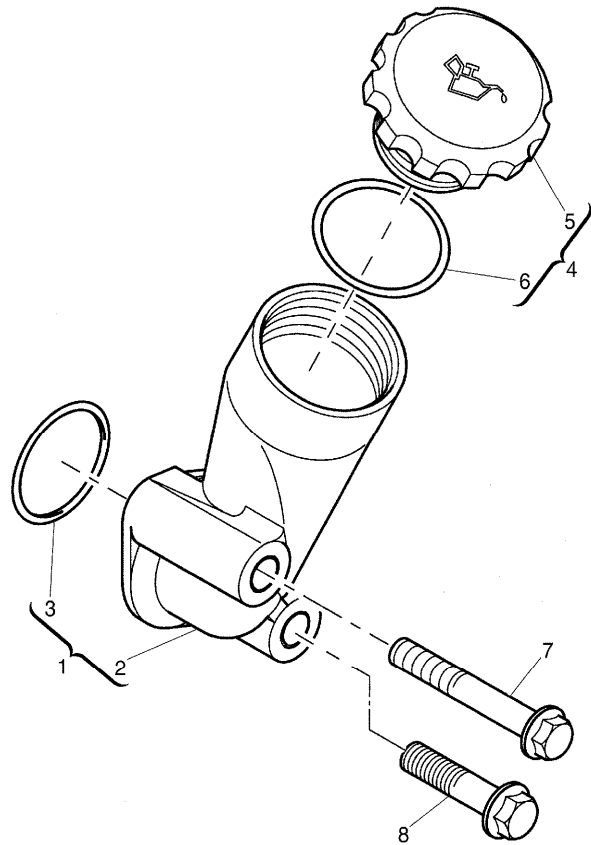
RP67\000020589.png

A-05
14



A0514

Filler



		Inglese	
1	4134C073	1	Filler
2	!	1	Body
	➡ Ref.n.1		
3	2415H651	1	Ring
4	4142X098	1	Plug
5	!	4	Plug
	➡ Ref.n.4		
6	2415633	1	O ring
7	2314K161	1	Screw
8	2314H008	1	Screw

- ! This is a component of an assembly
- ➡ Not serviced, order

Engine

X60 Series (2011-2014) - RP67 - X60.20

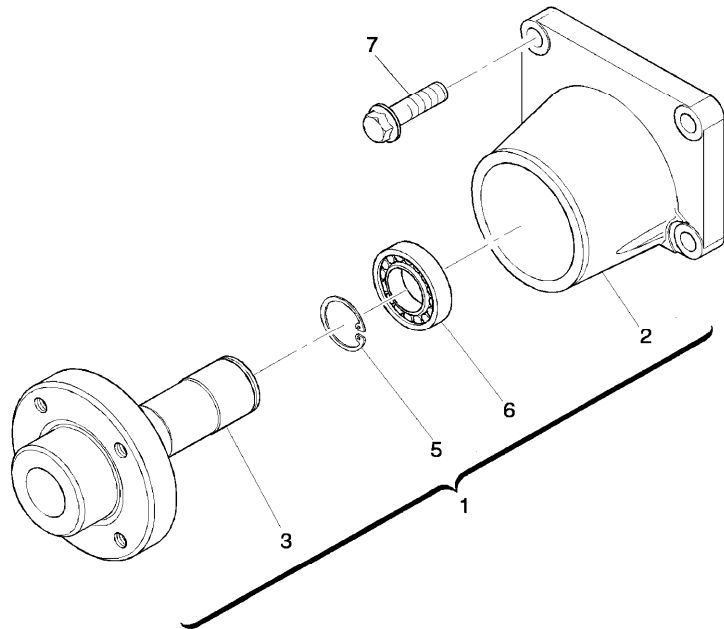
RP67\000022257.png

A-05
15



A0515

Fan's support



- 1 4113K007
- 2 ! 1
- 3 ! 1
- 4 ! 1
- 5 2722A022 ! 1
- 6 ! 1
- 7 2314J005
- ! This is a component of an assembly
- ▣ Not serviced, order

Inglese

- 1 Stirrup
- 1 Stirrup
- 1 Hub
- 1 Spacer
- 1 Ring
- 2 Bearing
- 4 Screw



Suggest:

For more complete manuals. Please go to the home page.

<https://www.ebooklibonline.com>

If the above button click is invalid. Please download this document first, and then click the above link to download the complete manual.

Thank you so much for reading

Engine

X60 Series (2011-2014) - RP67 - X60.20

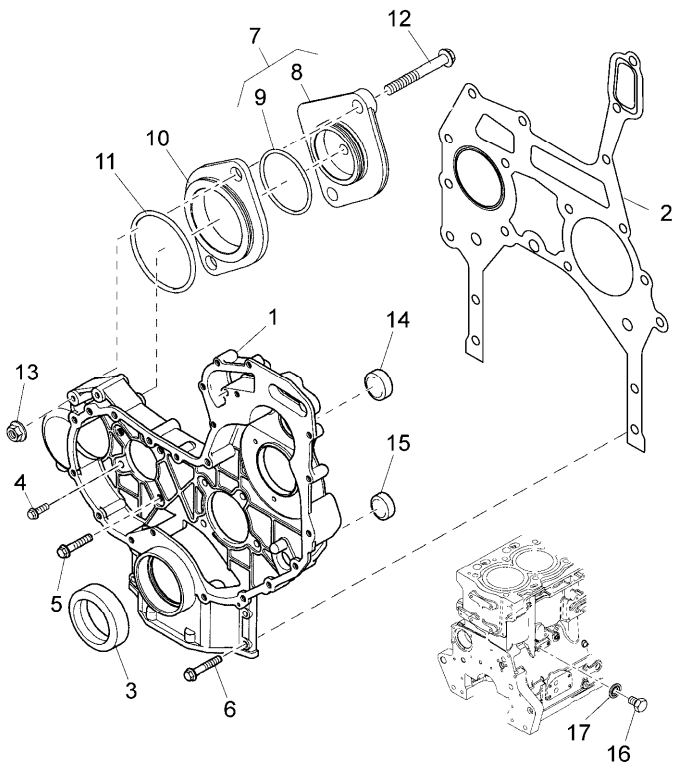
RP67\000015081.png

**A-05
16**



A0516

Gasket sets



		Inglese
1	3716C581	1 Housing
2	3681P053	1 Gasket
3	2418F437	1 Gasket
4	2314H003	6 Screw
5	2314H006	2 Screw
6	2314H034	4 Screw
7	4148K012	1 Plate
8	!	7
	➡	Ref.n.7
9	2415H515	! 7
		1 Ring
10	3617a044	1 Disc
11	2415H516	1 O ring
12	2314J014	2 Screw
13	2318A604	2 Nut
14	2485A124	1 Plug
15	2485A124	1 Plug
16	2314C049	1 Screw
17	2415D053	1 Washer

! This is a component of an assembly

➡ Not serviced, order

Engine

X60 Series (2011-2014) - RP67 - X60.20

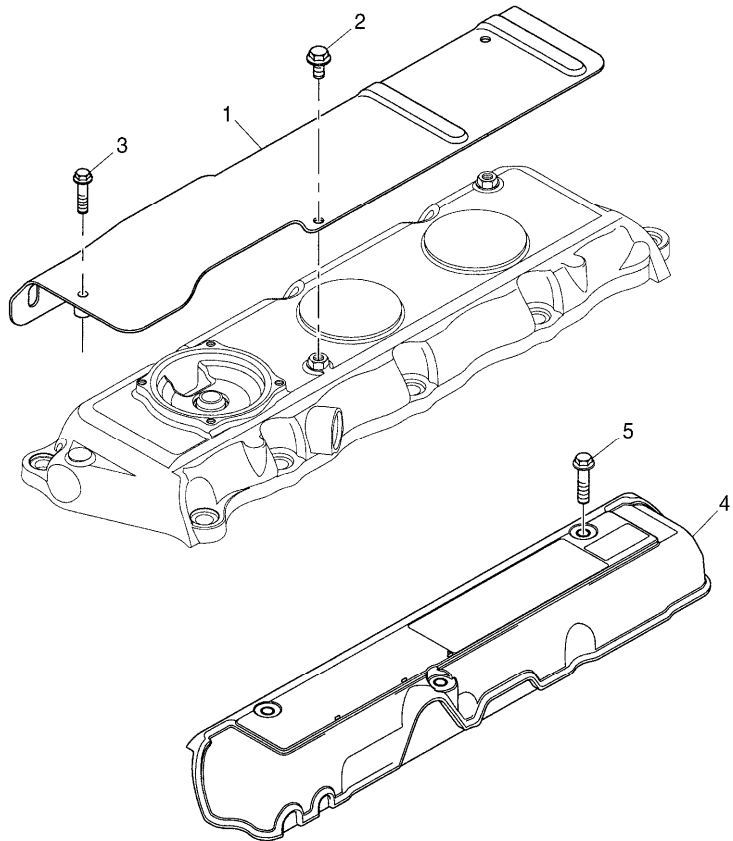
RP67\000020537.png

A-05
17



A0517

Cylinder head cover



- 1 3812A026
- 2 2314F001
- 3 2314F006
- 4 3788N003
- 5 2314F003

Inglese

- 1 Heatshield
- 2 Screw
- 1 Screw
- 1 Cover
- 3 Screw

<https://www.ebooklibonline.com>

Hello dear friend!

Thank you very much for reading.

Enter the link into your browser.

The full manual is available for immediate download.

<https://www.ebooklibonline.com>