

Engine

X50M Series Tier 4 (2013- ) - RS26 - X50.30M

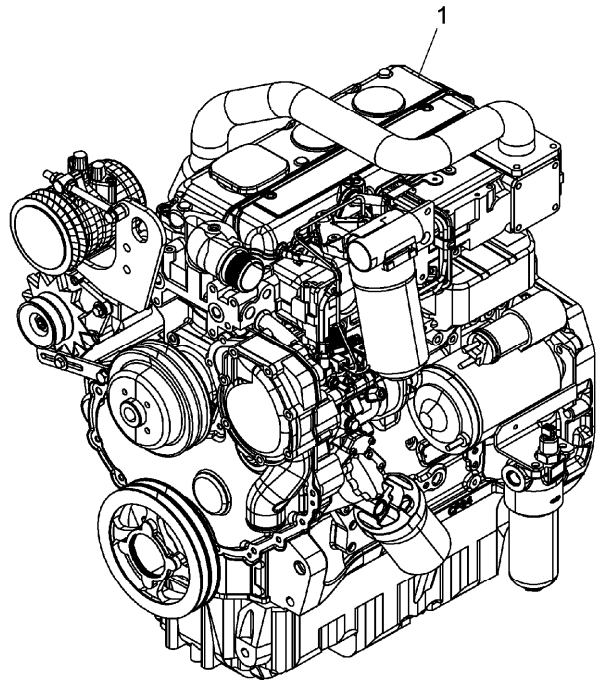
RS26\00005170.png

A-05  
01



A0501

Engine assembly



Inglese

1	6510132M91	"perkins - jr51750"	1	Engine 70 kw
		A		
1	6521160M91	"perkins - jr82451"	1	Engine 70 kw
		B		
1	6529269M91	"perkins - jr82759"	1	Engine 70 kw

C

- A Tier 4
- B Tier 4 pre-built
- C Epa flexibility engine

Engine

X50M Series Tier 4 (2013- ) - RS26 - X50.30M

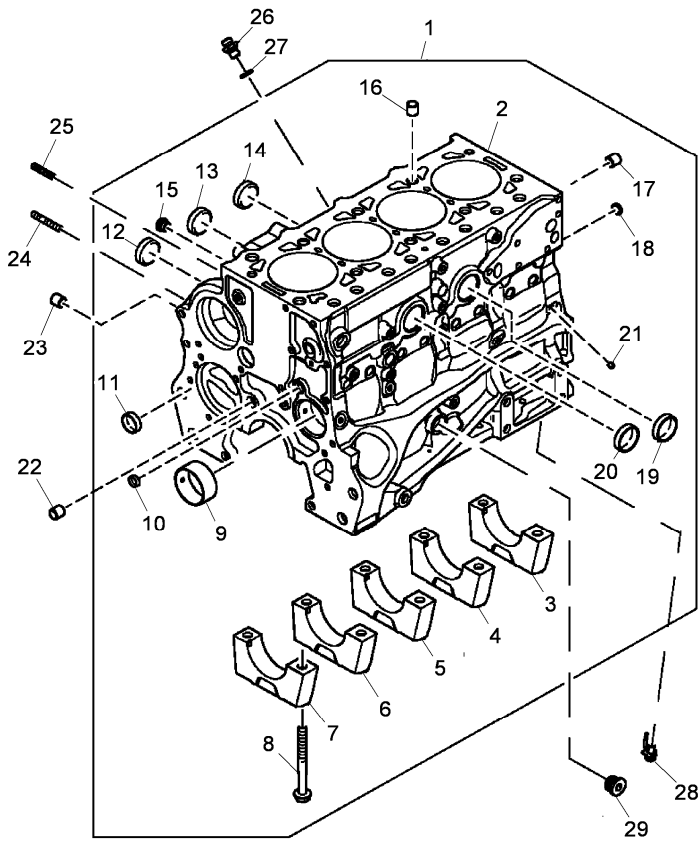
RS26\00043648.png

A-05  
02



A0502

Cylinder block



		Inglese	
1	A	1	Block
2	!	1	Cylinder block
	A		
3	!	1	Bearing
	A		
4	!	1	Bearing
	A		
5	!	1	Bearing
	A		
6	!	1	Bearing
	A		
7	!	1	Bearing
	A		
8	6515957M1	!	10 Bolt
9	6516161M1	!	1 Bush
10	6516170M1	!	1 Plug
11	6516049M1	!	1 Plug
12	6516048M1	!	1 Plug
13	6516048M1	!	1 Plug
14	6516048M1	!	1 Plug
15	6515956M1	!	1 Plug
16	6515958M1	!	8 Dowel
17	6515958M1	!	2 Dowel
18	6516170M1	!	2 Plug
19	6516048M1	!	1 Plug

Engine

X50M Series Tier 4 (2013- ) - RS26 - X50.30M

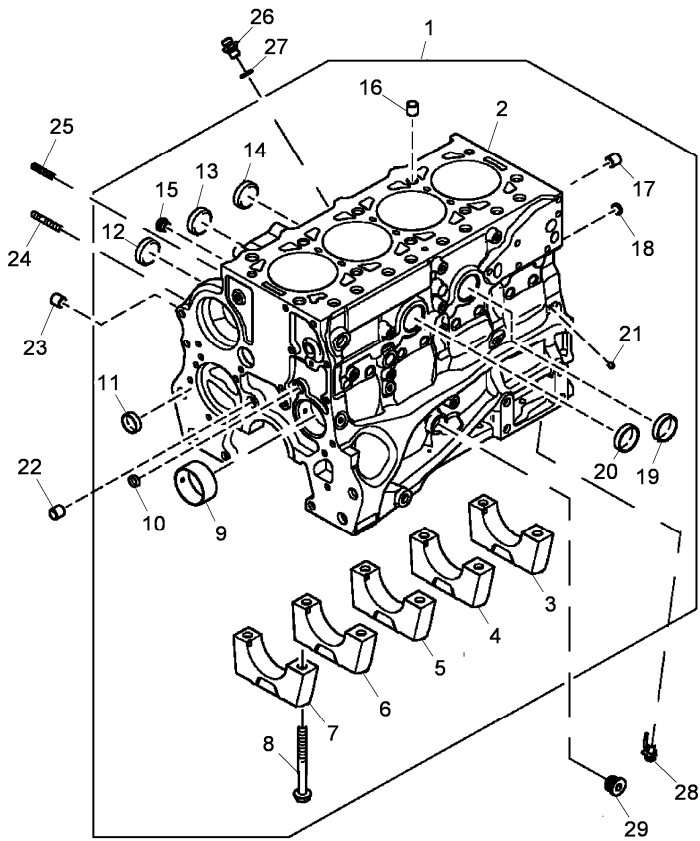
RS26\00043648.png

A-05  
02



A0502

Cylinder block



- 20 6516048M1 ! 1
- 21 6515953M1 ! 1
- 22 6515958M1
- 23 6515958M1
- 24 6518755M1
- 25 6516169M1
- 26 6515951M1
- 27 6515959M1
- 28 6516050M1
- 29 6516166M1

! This is a component of an assembly  
 A To be advised

Inglese

- 1 Plug
- 4 Plug
- 1 Dowel
- 3 Dowel
- 2 Stud
- 2 Stud
- 1 Bolt
- 1 Washer
- 4 Atomiser
- 1 Nut

**<https://www.ebooklibonline.com>**

Hello dear friend!

Thank you very much for reading.

Enter the link into your browser.

The full manual is available for immediate download.

**<https://www.ebooklibonline.com>**

Engine

X50M Series Tier 4 (2013- ) - RS26 - X50.30M

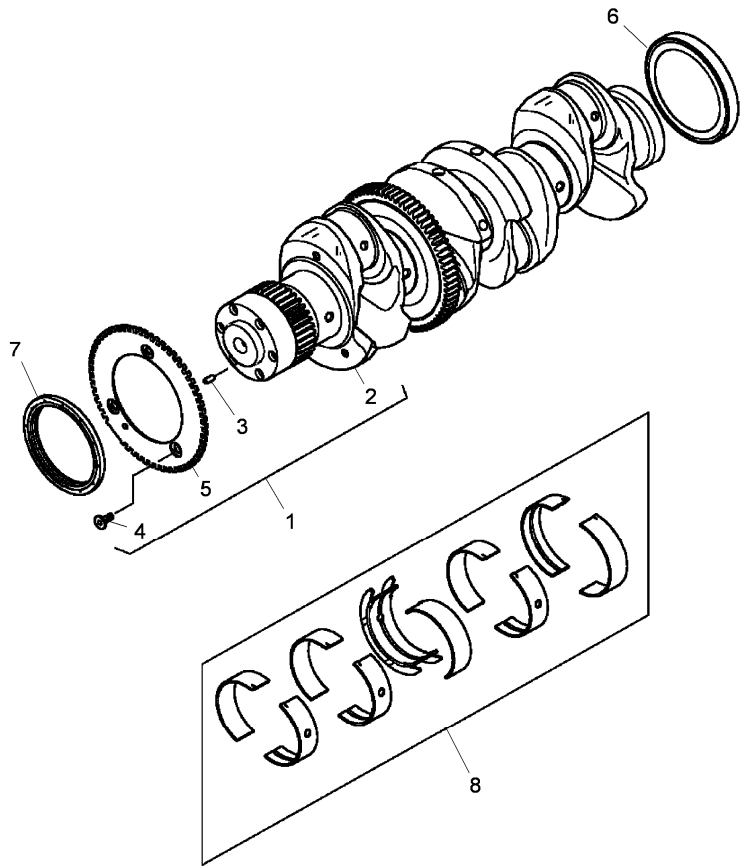
RS26\00043649.png

A-05  
03



A0503

Camshaft



		Inglese
1	6516188M91	1 Shaft
2	! 1	1 Shaft
	➡ Ref.n.1	
3	6515941M1 ! 1	1 Dowel
4	6515942M1 ! 1	3 Bolt
5	6515960M1 ! 1	1 Disc
	● 6515960M91(1)	
6	6516063M1	1 Seal
7	6529760M1 90x112x10,6	1 Seal
8	6516093M91 ⚡ -0.508mm	1 Kit
8	6516097M91 ⚡ -0.254mm	1 Kit
8	6516099M91	1 Kit
! This is a component of an assembly		
➡ Not serviced, order		
⚡ Shim		
● Replacement		

Engine

X50M Series Tier 4 (2013- ) - RS26 - X50.30M

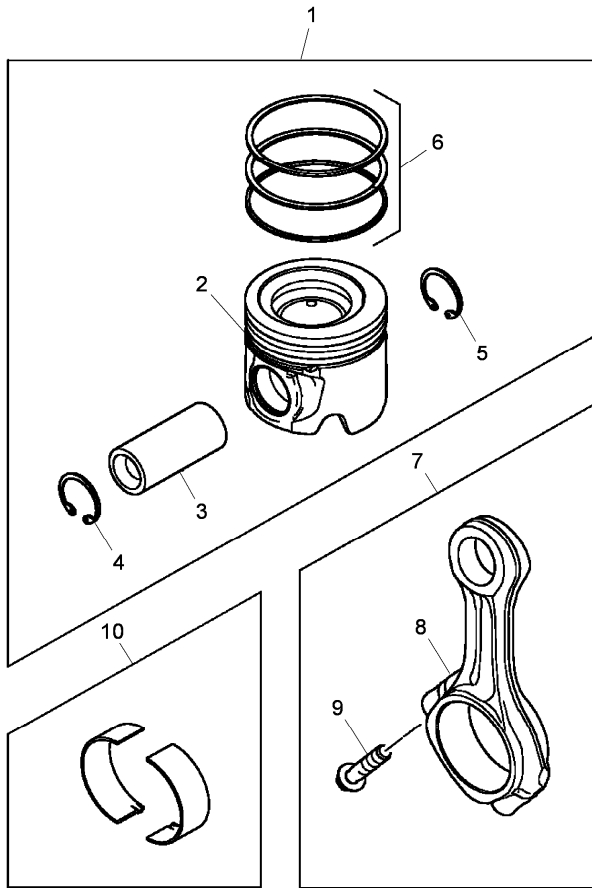
RS26\00043650.png

A-05  
04



A0504

Pistons and connecting rods



		Inglese	
1	6516101M91		4 Kit
2	!	1	1 Piston
	➡	Ref.n.1	
3	!	1	1 Pin
	➡	Ref.n.1	
4	6516023M1	!	1 Ring
5	6516023M1	!	1 Ring
6	6516100M91	!	1 Kit
7	6516098M91		4 Conrod
8	!	7	1 Conrod
	➡	Ref.n.7	
9	6515990M1	!	2 Screw
10	6516096M91	⚡	4 Kit
10	6516103M1		4 Bearing
10	6516104M91	⚡	4 Kit
!	This is a component of an assembly		
➡	Not serviced, order		
⚡	Shim		

Engine

X50M Series Tier 4 (2013- ) - RS26 - X50.30M

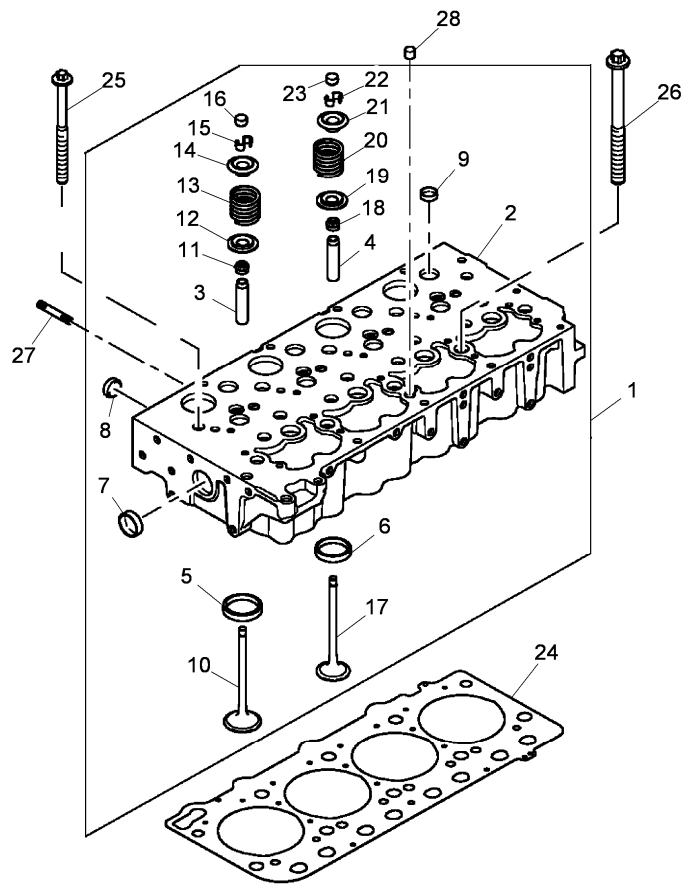
RS26\00043651.png

A-05  
05



A0505

Cylinder head



		Inglese	
1	A	1	Cylinder head
2	!	1	Cylinder head
		A	
3	6516072M1	!	4 Guide
3	6516130M1	▲ +0.2mm	4 Guide
3	6516131M1	▲ +0.1mm	4 Guide
4	6516072M1	!	4 Guide
4	6516130M1	▲ +0.2mm	4 Guide
4	6516131M1	▲ +0.1mm	4 Guide
5	6516066M1	!	4 Valve seat
6	6516064M1	!	4 Valve seat
7	6516049M1	!	1 Plug
8	6515950M1	!	4 Plug
9	6515938M1	!	8 Plug
10	6515947M1	!	4 Valve
11	6516068M1	!	4 Seal
12	6515955M1	!	4 Plug
13	6516067M1	!	4 Spring
14	6515954M1	!	4 Plug
15	6516132M1	!	8 Guide
16	6515952M1	!	4 Plug
17	6515946M1	!	4 Valve
18	6516068M1	!	4 Seal
19	6515955M1	!	4 Plug

Engine

X50M Series Tier 4 (2013- ) - RS26 - X50.30M

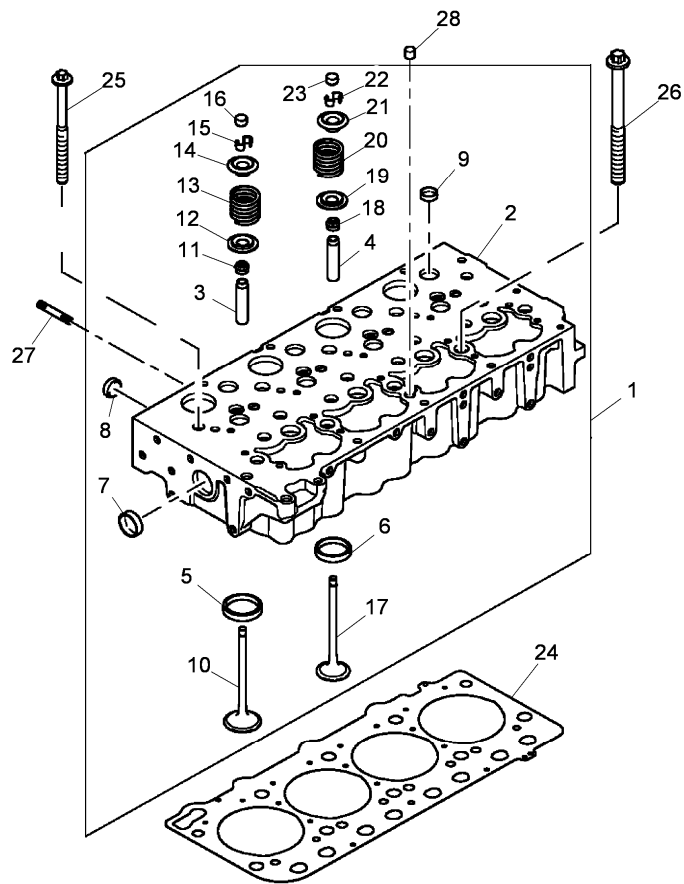
RS26\00043651.png

A-05  
05



A0505

Cylinder head



20	6516067M1	!	1
21	6515954M1	!	1
22	6516132M1	!	1
23	6515952M1	!	1
24	6515914M1	⚡	0.7mm
24	6515980M1	⚡	0.8mm
25	6516069M1		4
26	6516073M1		6
27	6516129M1		8
28	6515948M1		1

! This is a component of an assembly  
 ⚡ Shim  
 A To be advised

Inglese

4	Spring
4	Plug
8	Guide
4	Plug
1	Gasket
1	Gasket
4	Screw
6	Screw
8	Stud
1	Dowel

Engine

X50M Series Tier 4 (2013- ) - RS26 - X50.30M

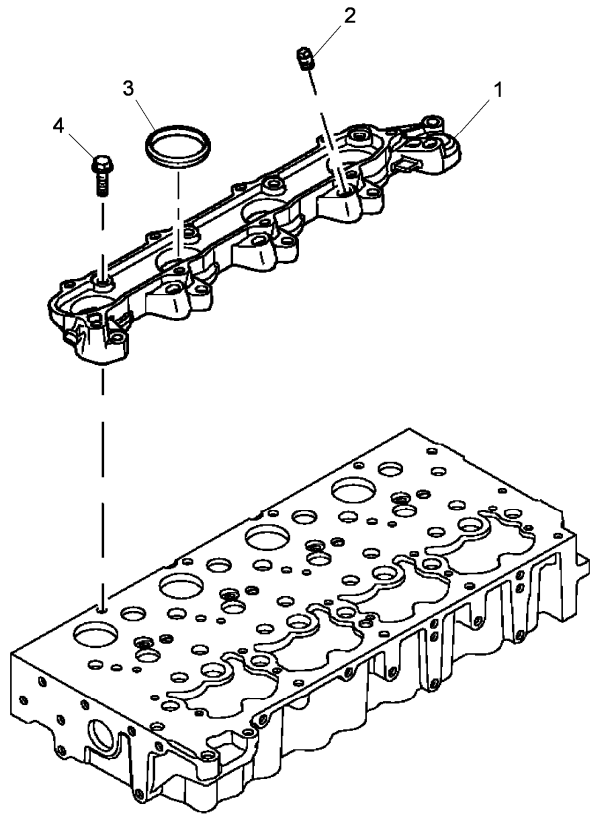
RS26\00043652.png

A-05  
06



A0506

Cylinder head



- 1 6515945M1
- 2 6516075M1
- 3 6516071M1
- 4 6516034M1

Inglese

- 1 Spacer
- 4 Plug
- 4 Gasket
- 9 Bolt

Engine

X50M Series Tier 4 (2013- ) - RS26 - X50.30M

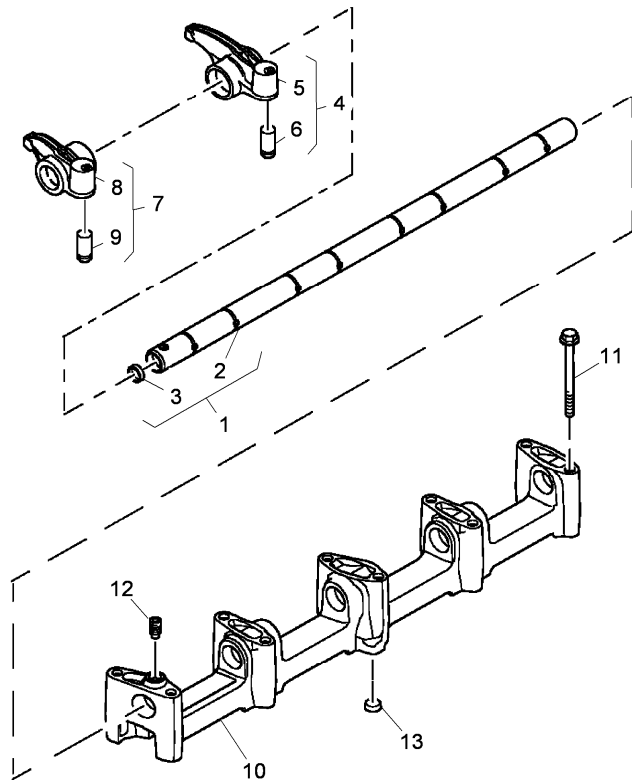
RS26\00043653.png

A-05  
07



A0507

Rocker shaft



		Inglese
1	6518762M91	1 Shaft
2	! 1	1 Shaft
	➤ Ref.n.1	
3	6515975M1	2 Plug
4	6516192M91	4 Lever
5	! 4	1 Lever
	➤ Ref.n.4	
6	! 4	1 Pad
	➤ Ref.n.4	
7	6516042M91	4 Lever
8	! 7	1 Lever
	➤ Ref.n.7	
9	! 7	1 Pad
	➤ Ref.n.7	
10	6516006M91	1 Support
11	6516043M1	10 Bolt
12	6515983M1	1 Screw
13	6515975M1	1 Plug

! This is a component of an assembly

➤ Not serviced, order

Engine

X50M Series Tier 4 (2013- ) - RS26 - X50.30M

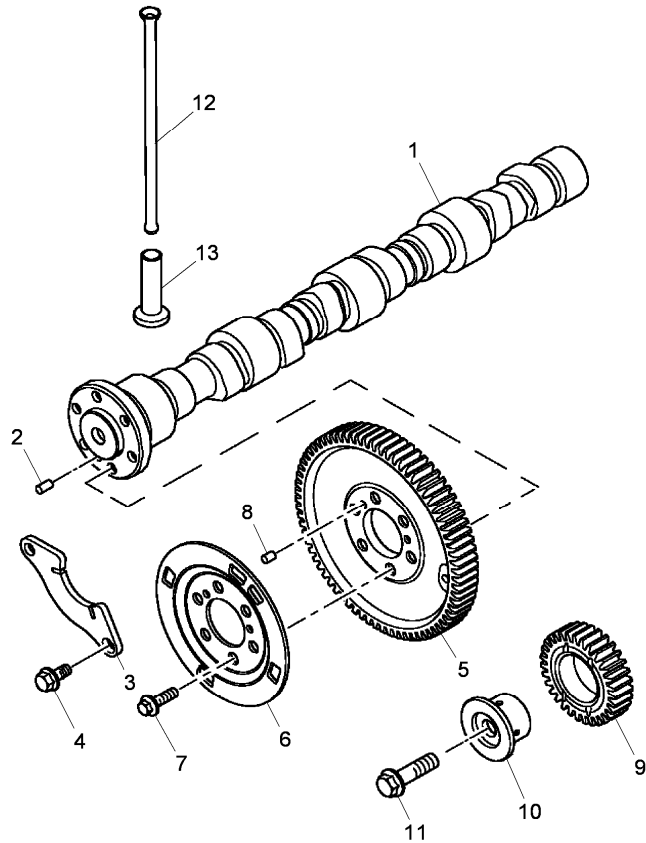
RS26\00043654.png

A-05  
08



A0508

Rocker shaft



- 1 6515943M91
- 2 6515939M1
- 3 6515944M1
- 4 6516047M1
- 5 6515961M1
- 6 6516002M1
- 7 2314H004
- 8 6516010M1
- 9 6515937M1
- 10 6515967M1
- 11 6515926M1
- 12 6515940M1
- 13 6515979M1

Inglese

- 1 Shaft
- 1 Dowel
- 1 Yoke
- 2 Bolt
- 1 Gear
- 1 Flange
- 6 Screw
- 2 Dowel
- 1 Gear
- 1 Pin
- 1 Screw
- 8 Rod
- 8 Tappet

Engine

X50M Series Tier 4 (2013- ) - RS26 - X50.30M

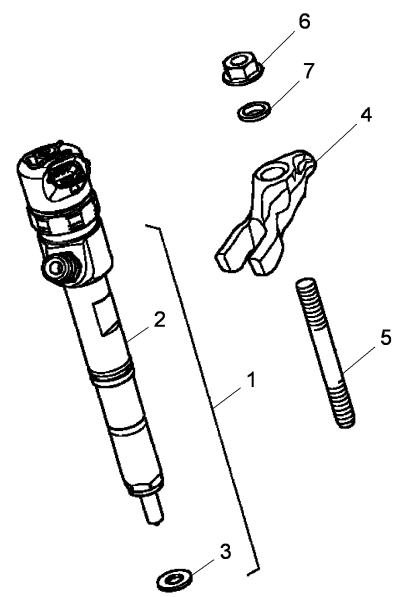
RS26\00043655.png

A-05  
09



A0509

Fuel injection equipment



8  
ANTI CONTAMINATION KIT  
KIT DE PROTECTION  
SCHUTZSATZ  
KIT PROTEZIONE  
EQUIPO DE PROTECCION

- 1 6515910M91
  - 2 ! 1
  - 3 6516058M1 ! 1
  - 4 6515949M1
  - 5 6516148M1
  - 6 2318A603
  - 7 6516057M1
  - 8 6518761M91
- ! This is a component of an assembly  
 Not serviced, order

Inglese

- 4 Nozzle
- 1 Nozzle
- 1 Seal
- 4 Stirrup
- 4 Pin
- 4 Nut
- 4 Washer
- 1 Kit

Engine

X50M Series Tier 4 (2013- ) - RS26 - X50.30M

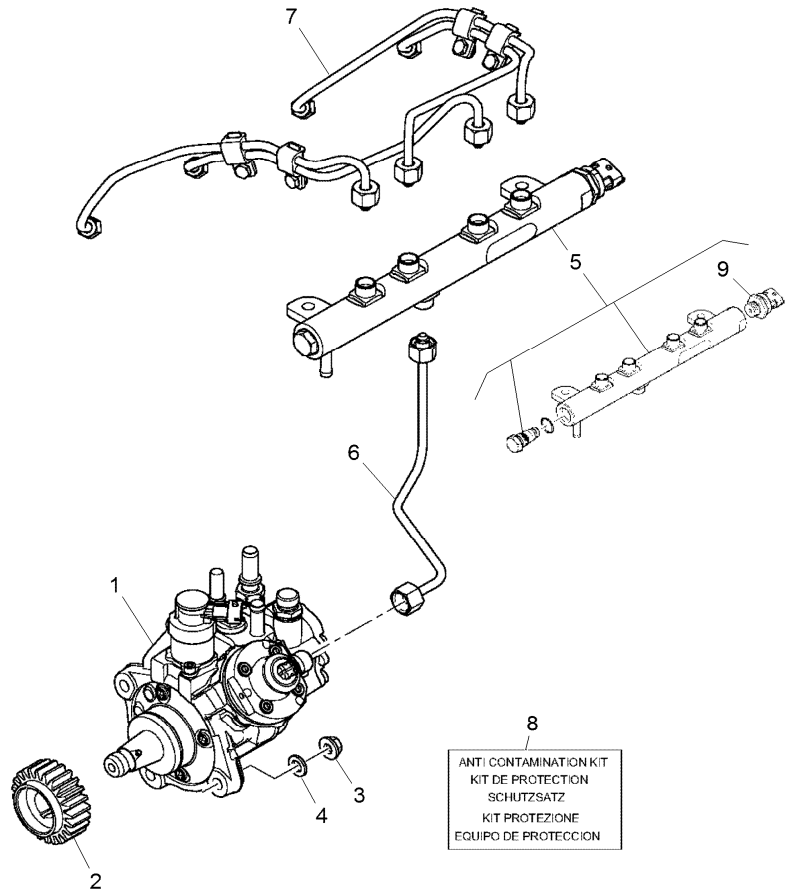
RS26\00043656.png

A-05  
10



A0510

Fuel injection equipment



8  
ANTI CONTAMINATION KIT  
KIT DE PROTECCION  
SCHUTZSATZ  
KIT PROTEZIONE  
EQUIPO DE PROTECCION

Inglese

- |   |            |     |   |        |
|---|------------|-----|---|--------|
| 1 | 6516106M91 |     | 1 | Pump   |
| 2 | 6516000M1  |     | 1 | Gear   |
| 3 | 2318A603   |     | 3 | Nut    |
| 4 | 2131A008   |     | 3 | Washer |
| 5 | 6516077M91 |     | 1 | Valve  |
| 6 | 6515909M1  |     | 1 | Pipe   |
| 7 | 6515901M91 |     | 1 | Kit    |
| 8 | 6518761M91 |     | 1 | Kit    |
| 9 | 6518767M1  | ! 5 | 1 | Sensor |

A

! This is a component of an assembly  
A Rail pressure

Engine

X50M Series Tier 4 (2013- ) - RS26 - X50.30M

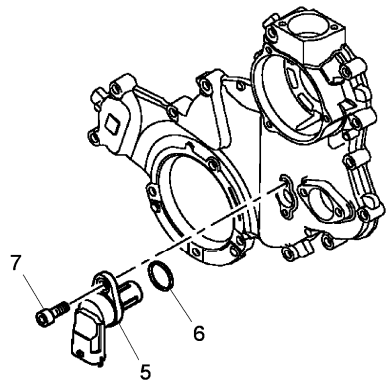
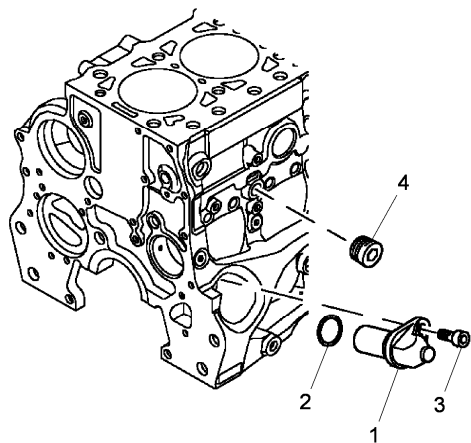
RS26\00043657.png

A-05  
11



A0511

Sensors



- 1 6515895M1 A
- B
- 2 6516028M1
- 3 6515969M1
- 4 6515962M1
- 5 6515896M1 ● 6515896M2(1)
- A
- 6 6516137M1
- 7 6515969M1
- Replacement
- A Speed
- B Shaft

Inglese

- 1 Sensor
- 1 Ring
- 1 Screw
- 1 Plug
- 1 Sensor
- 1 Seal
- 1 Screw

Engine

X50M Series Tier 4 (2013- ) - RS26 - X50.30M

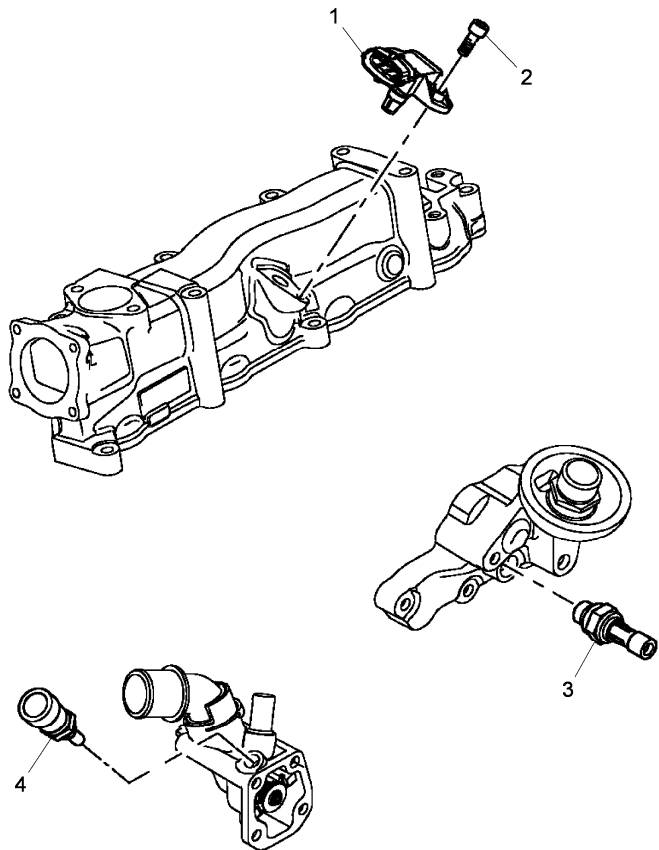
RS26\00043658.png

A-05  
12



A0512

Sensors



- 1 6515966M1 A
  - 2 6515969M1
  - 3 6515897M1 B
  - 4 6515928M1 C
- A Air pressure  
B Oil pressure  
C Temperature

Inglese

- 1 Sensor
- 1 Screw
- 1 Sensor
- 1 Sensor

Engine

X50M Series Tier 4 (2013- ) - RS26 - X50.30M

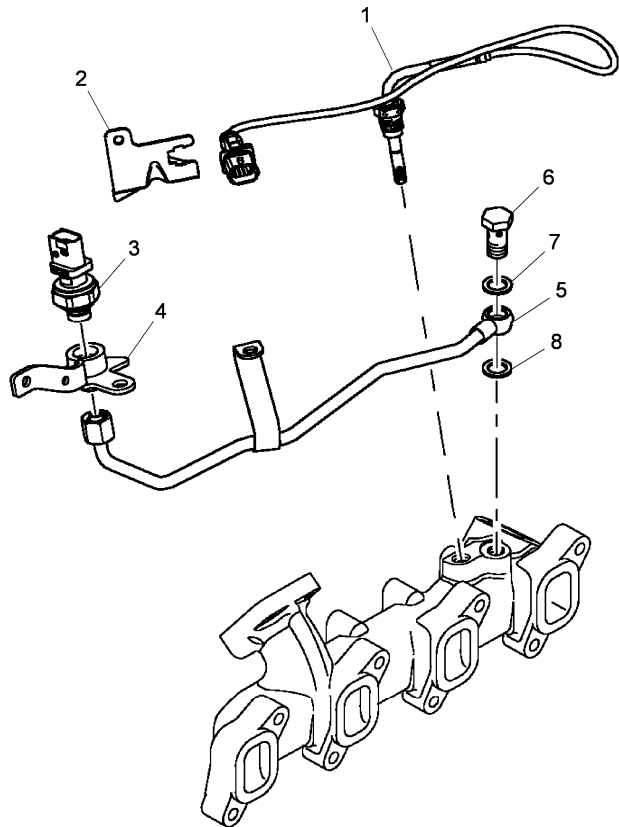
RS26\00043659.png

A-05  
13



A0513

Sensors



- 1 6515900M1 A
- 2 6515977M1
- 3 6515996M1
- 4 6515986M91
- 5 6515999M1
- 6 6515963M91
- 7 6516105M1
- 8 6516105M1
- A Temperature

Inglese

- 1 Sensor
- 1 Stirrup
- 1 Sensor
- 1 Stirrup
- 1 Pipe
- 1 Bolt
- 1 Washer
- 1 Washer

Engine

X50M Series Tier 4 (2013- ) - RS26 - X50.30M

RS26\00043660.png

A-05  
14



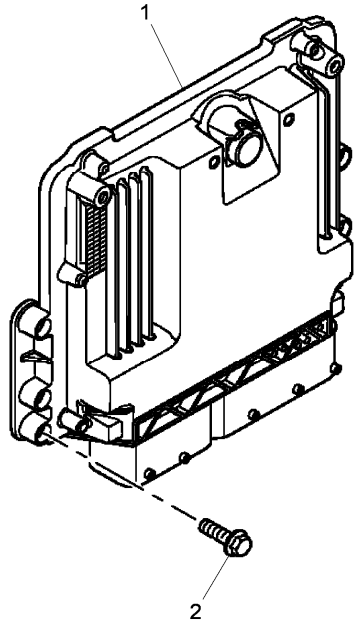
A0514

Electronic control unit

- 1 6515921M1 ● N.L.S.(1)
- 2 2314F005
- Replacement

Inglese

- 1 Centralizer
- 2 Screw



Engine

X50M Series Tier 4 (2013- ) - RS26 - X50.30M

RS26\00043661.png

A-05  
15



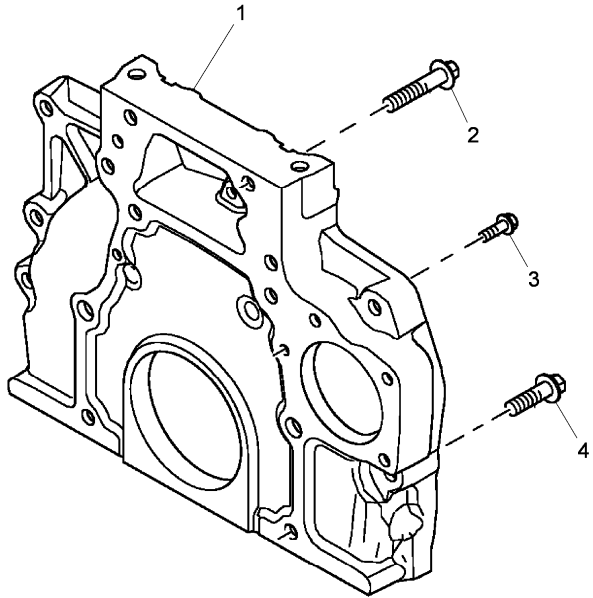
A0515

Crankcase covers

- 1 6516136M91
- 2 6515927M1
- 3 6516041M1
- 4 6515926M1

Inglese

- 1 Housing
- 2 Screw
- 2 Bolt
- 6 Screw



Engine

X50M Series Tier 4 (2013- ) - RS26 - X50.30M

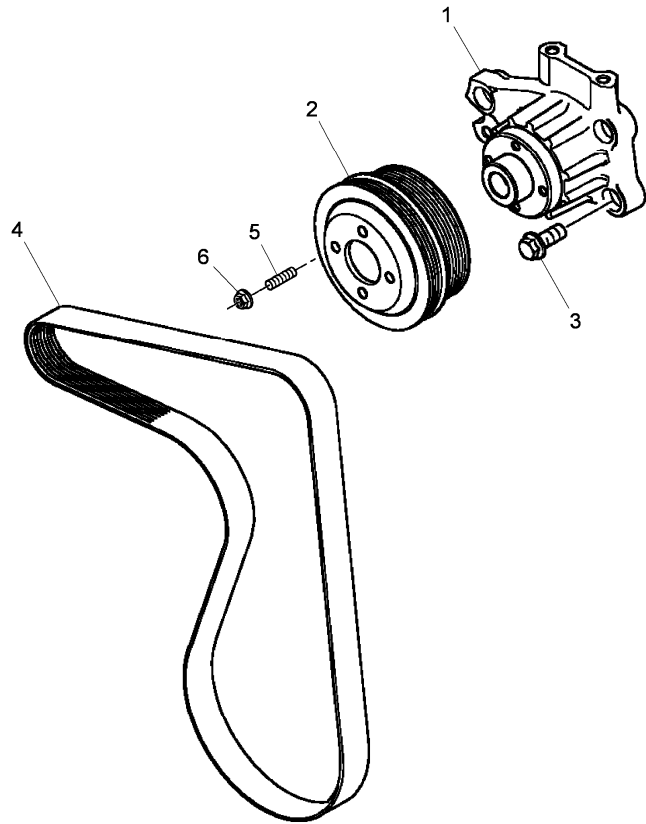
RS26\00043662.png

A-05  
16



A0516

Fan-type pulley



- 1 6516183M91
- 2 6516182M91
- 3 6516041M1
- 4 6518749M1 ● 6518749M2(1)
- 5 6516168M1
- 6 2318A603
- Replacement

Inglese

- 1 Coperch.
- 1 Pulley
- 5 Bolt
- 1 Belt
- 4 Stud
- 4 Nut

Engine

X50M Series Tier 4 (2013- ) - RS26 - X50.30M

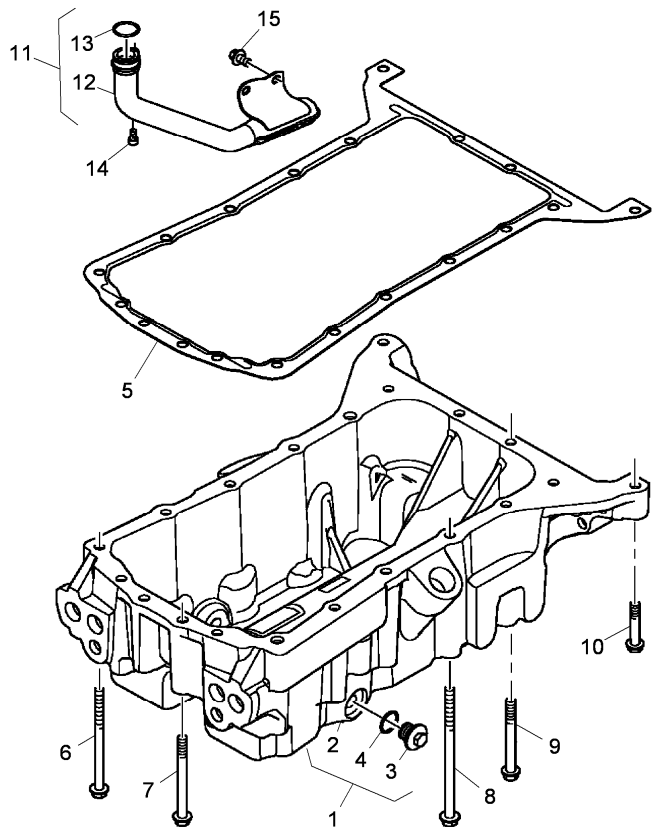
RS26\00043663.png

A-05  
17



A0517

Lubricating oil sump



- |    |            |   |          |  |
|----|------------|---|----------|--|
| 1  | 6516185M91 |   |          |  |
| 2  |            | ! | 1        |  |
|    |            | ➡ | Ref.n.1  |  |
| 3  | 6515970M1  | ! | 1        |  |
| 4  | 6516083M1  | ! | 1        |  |
| 5  | 6515911M1  |   |          |  |
| 6  | 2314J022   |   |          |  |
| 7  | 2314J019   |   |          |  |
| 8  | 6516179M1  |   |          |  |
| 9  | 2314J018   |   |          |  |
| 10 | 2314J009   |   |          |  |
| 11 | 6516184M91 |   |          |  |
| 12 |            | ! | 11       |  |
|    |            | ➡ | Ref.n.11 |  |
| 13 | 6516045M1  | ! | 11       |  |
| 14 | 6516056M1  |   |          |  |
| 15 | 2314H001   |   |          |  |
- ! This is a component of an assembly  
➡ Not serviced, order

Inglese

- |   |        |
|---|--------|
| 1 | Pan    |
| 1 | Pan    |
| 2 | Plug   |
| 2 | Ring   |
| 1 | Gasket |
| 8 | Screw  |
| 2 | Screw  |
| 4 | Screw  |
| 2 | Screw  |
| 4 | Screw  |
| 1 | Pipe   |
| 1 | Pipe   |
| 1 | Ring   |
| 1 | Screw  |
| 2 | Screw  |

Engine

X50M Series Tier 4 (2013- ) - RS26 - X50.30M

RS26\00043664.png

**A-05  
18**



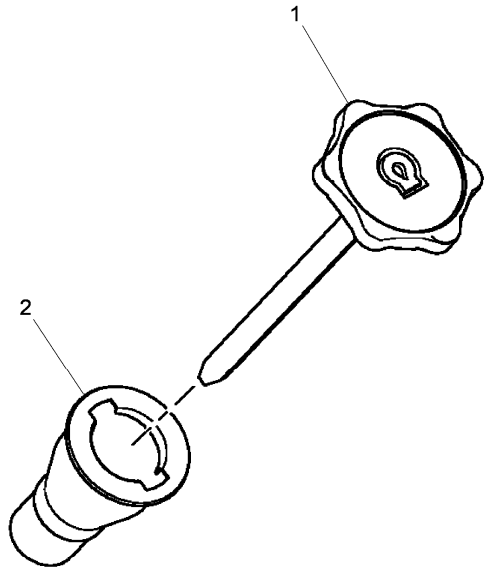
A0518

Oil level

**Inglese**

- 1 6516186M1
- 2 6516180M1

- 1 Rod
- 1 Pipe



Engine

X50M Series Tier 4 (2013- ) - RS26 - X50.30M

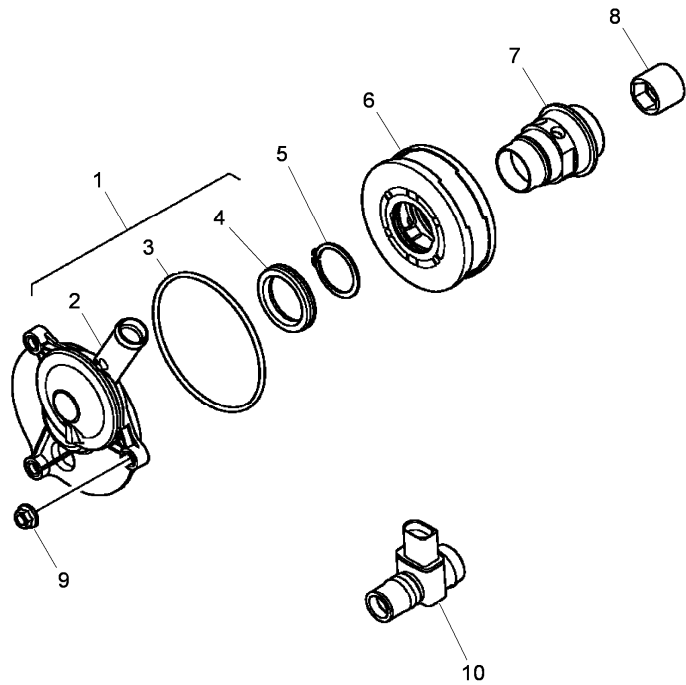
RS26\00043665.png

A-05  
19



A0519

Breather



		Inglese	
1	6515935M1		1 Breather
2		! 1	1 Breather
		➡ Ref.n.1	
3	6515932M1	! 1	1 Ring
4	6515934M1	! 1	1 Seal
5	6515933M1		1 Ring
6	6515893M91		1 Kit
7	6515936M91		1 Shaft
8	6515931M1		1 Bush
9	2318A602		3 Nut
10	6516164M1		1 Heater

- ! This is a component of an assembly
- ➡ Not serviced, order

Engine

X50M Series Tier 4 (2013- ) - RS26 - X50.30M

RS26\00043666.png

A-05  
20



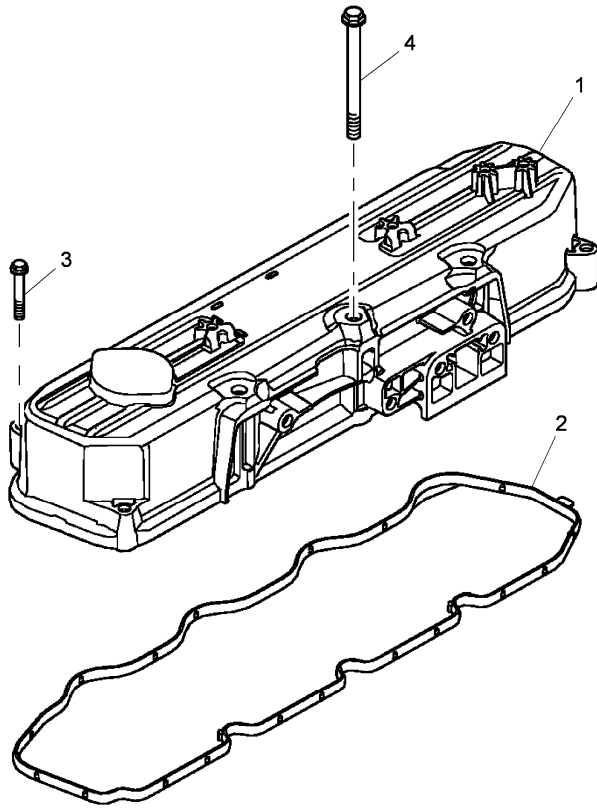
A0520

Cylinder head cover

Inglese

- 1 6516014M91
- 2 6515908M1
- 3 2314F009
- 4 2314H019

- 1 Overlay
- 1 Gasket
- 7 Screw
- 3 Screw



Engine

X50M Series Tier 4 (2013- ) - RS26 - X50.30M

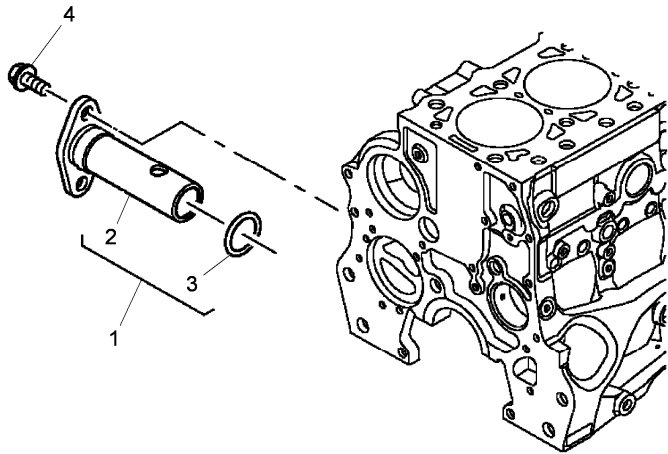
RS26\00043667.png

A-05  
21



A0521

Oil lines



		Inglese		
1	6516123M91	1	Valve	
2	!	1	Valve	
	▣	Ref.n.1		
3	6516032M1	!	1	Ring
4	2314F003		2	Screw
!	This is a component of an assembly			
▣	Not serviced, order			

Engine

X50M Series Tier 4 (2013- ) - RS26 - X50.30M

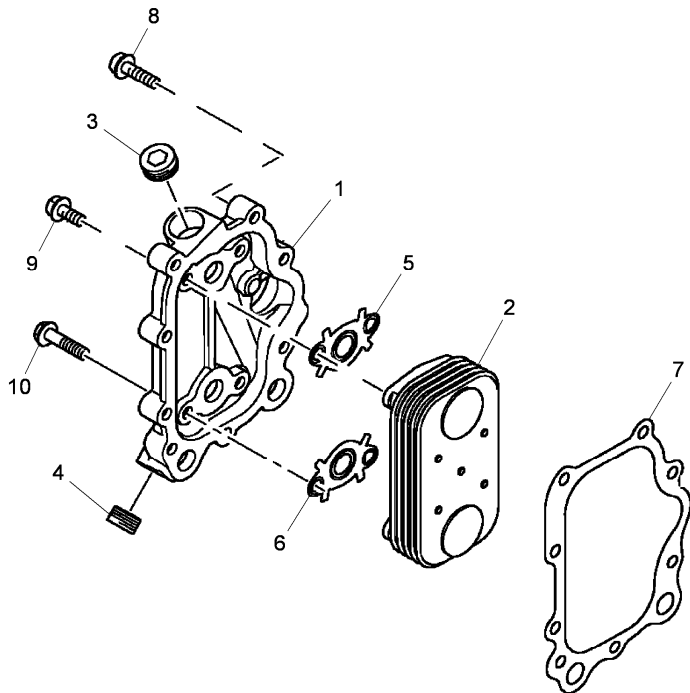
RS26\00043668.png

A-05  
22



A0522

Oil bath air filter - lautrette



- 1 6516118M1
- 2 6516003M91
- 3 6516120M1
- 4 6516128M1
- 5 6516013M1
- 6 6516013M1
- 7 6516082M1
- 8 6516034M1
- 9 6516044M1
- 10 2314H006

Inglese

- 1 Housing
- 1 Exchanger
- 1 Plug
- 1 Plug
- 1 Gasket
- 1 Gasket
- 1 Gasket
- 8 Bolt
- 2 Bolt
- 2 Screw

Engine

X50M Series Tier 4 (2013- ) - RS26 - X50.30M

RS26\00043669.png

A-05  
23



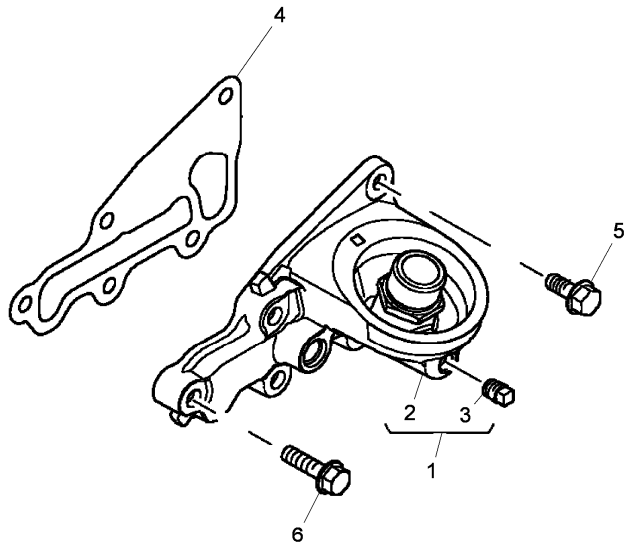
A0523

Lubricating oil filter

Inglese

- |   |           |   |         |           |
|---|-----------|---|---------|-----------|
| 1 | 6516187M1 |   |         | 1 Support |
| 2 |           | ! | 1       | 1 Support |
|   |           | ➡ | Ref.n.1 |           |
| 3 | 6516139M1 | ! | 1       | 1 Plug    |
| 4 | 6516174M1 |   |         | 1 Gasket  |
| 5 | 6516044M1 |   |         | 1 Bolt    |
| 6 | 6516034M1 |   |         | 4 Bolt    |

- ! This is a component of an assembly
- ➡ Not serviced, order





**Suggest:**

**For more complete manuals. Please go to the home page.**

**<https://www.ebooklibonline.com>**

**If the above button click is invalid. Please download this document first, and then click the above link to download the complete manual.**

**Thank you so much for reading**

Engine

X50M Series Tier 4 (2013- ) - RS26 - X50.30M

RS26\00043670.png

A-05  
24

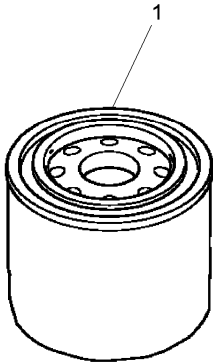


A0524

Lubricating oil filter

Inglese

- 1 6515892M1 ● 6515892M2(1) 1 Filter
- Replacement



Engine

X50M Series Tier 4 (2013- ) - RS26 - X50.30M

RS26\00043671.png

A-05  
25



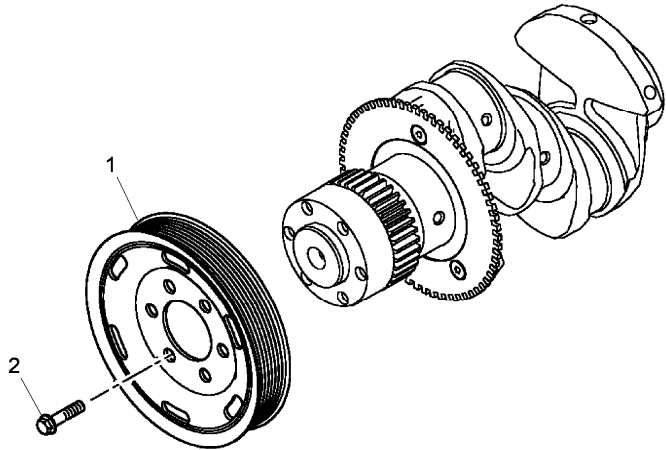
A0525

Front end drive input

Inglese

- 1 6516038M1
- 2 6516167M1

- 1 Pulley
- 6 Screw



**<https://www.ebooklibonline.com>**

Hello dear friend!

Thank you very much for reading.

Enter the link into your browser.

The full manual is available for immediate download.

**<https://www.ebooklibonline.com>**