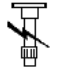


Lighting equipment

X10 series (2011-) - RPK1 - X10.50M-EU

**D-01-
EX40-
T1055**

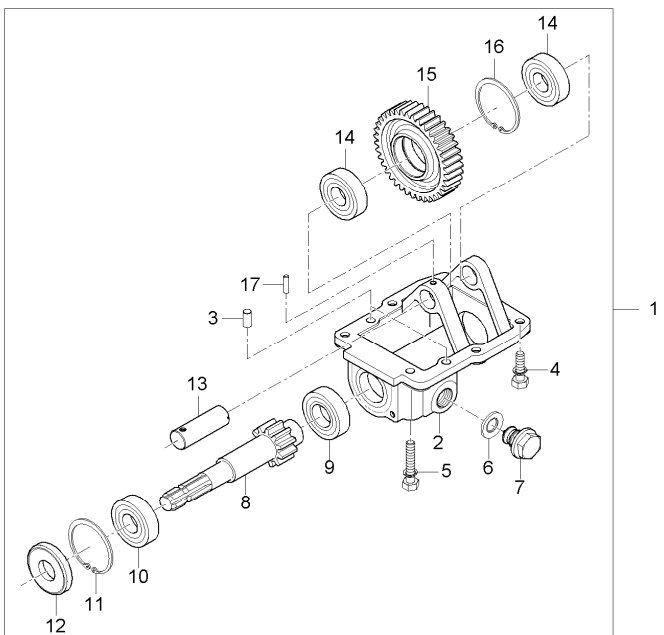
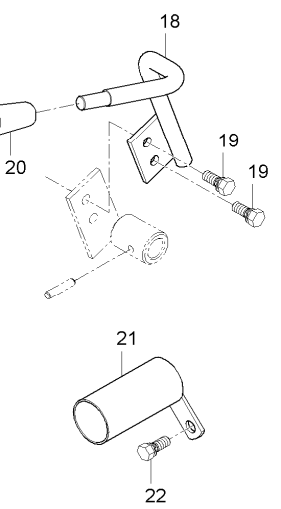


D01EX4
0T1055

Independant p.t.o.

B

daedong_X10\EX40-T1055B.png



Inglese

- 1 Pto
- 1 Case
- 2 Pin
- M10*1.25 5 Bolt
- 10x1.25(7t) 1 Bolt
- 1 Washer
- 1 Plug
- 1 Shaft
- #6305r 1 Ball
- #6205 1 Ball
- 1 Smock
- 1 Seal
- 1 Shaft
- 6205r 2 Ball
- 1 Gear
- 1 Smock
- 1 Pin
- 1 Lever
- M8*p1.25 2 Bolt
- 1 Grip
- 1 Lever
- M8*p1.25 1 Bolt

Lighting equipment

X10 series (2011-) - RPK1 - X10.50M-EU

D-01-
EX40-
T1065



D01EX4
0T1065

E

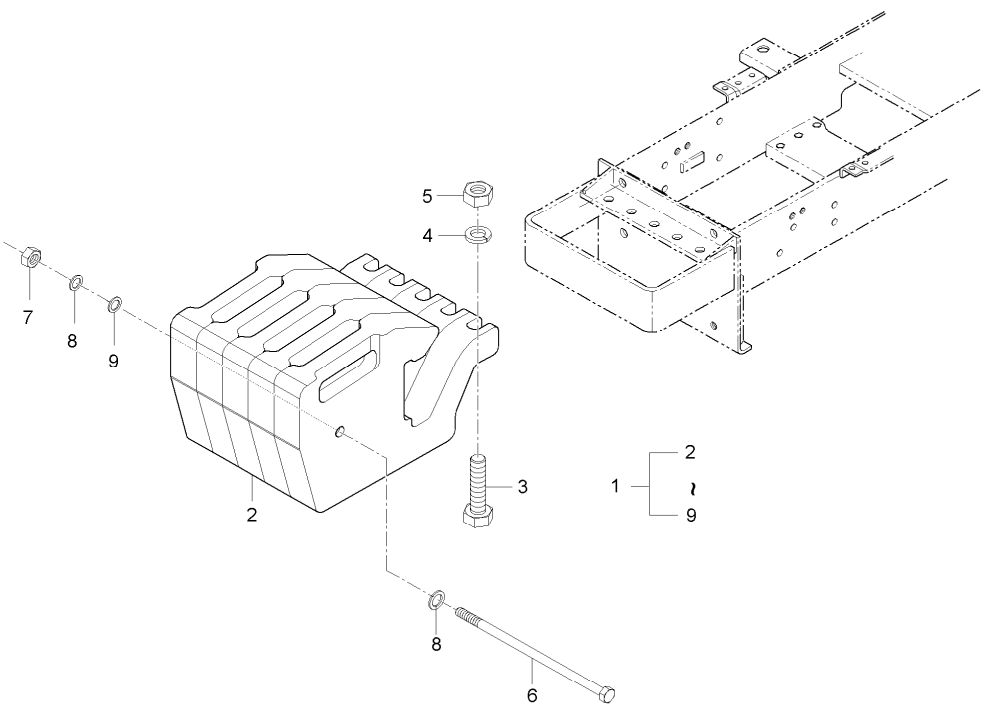
Weight frame and weights - front hook

daedong_X10\EX40-T1065E.png

Inglese

- 1 Wight
- 5 Weight
- 5 Bolt
- 5 Washer
- 5 Nut
- 1 Bolt
- 1 Nut
- 1 Washer
- 2 Washer

- M14*p1.5
- M12*1.25
- M12*1.25
- M12
- M12



Lighting equipment

X10 series (2011-) - RPK1 - X10.50M-EU

D-01-
EX40-
T1075
D01EX4
0T1075
D

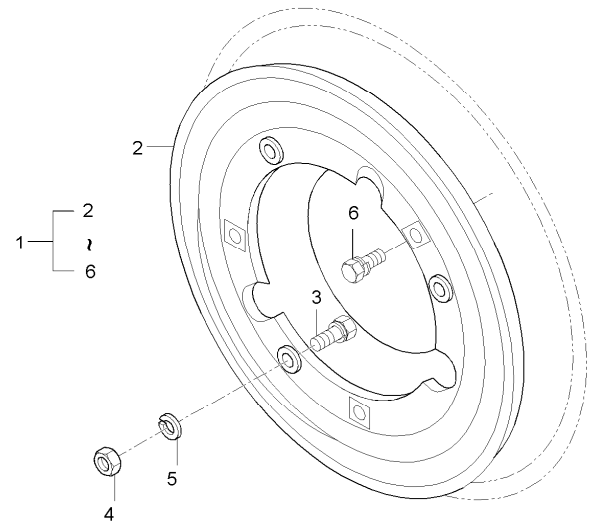
Wheel weights

daedong_X10\EX40-T1075D.png

Inglese

- 1 Weight
- 4 Weight
- 6 Bolt
- 12 Nut
- 12 Washer
- 6 Bolt

M16



<https://www.ebooklibonline.com>

Hello dear friend!

Thank you very much for reading.

Enter the link into your browser.

The full manual is available for immediate download.

<https://www.ebooklibonline.com>

Engine

X10 series (2011-) - RPK1 - X10.50M-EU

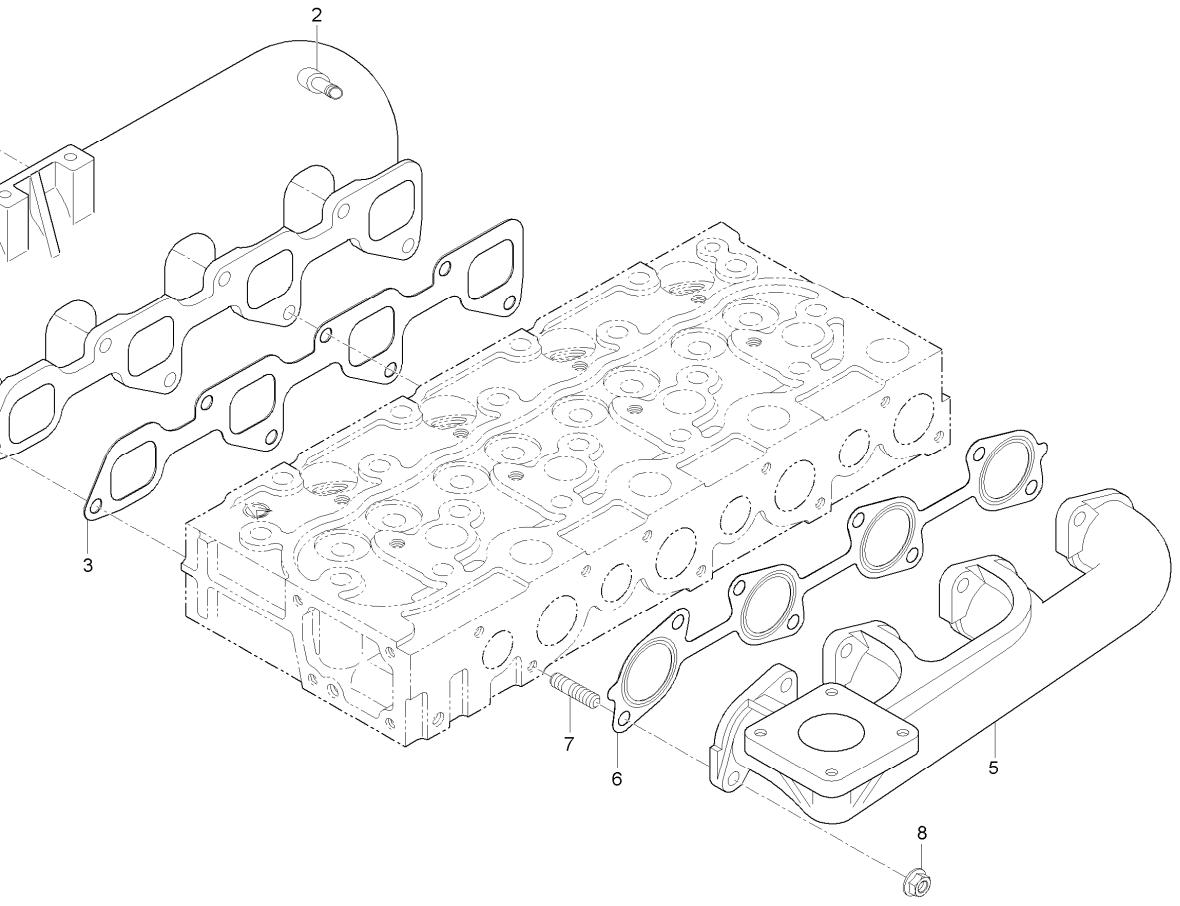
daedong_X10\4A200-E220.png

E-04-
4A200-
7333



E044A2
00E220

Cooling system - engine - fan and hoses



1 E0201 11761

M8*p1.25

M8*1.25

M8x1.25

M8*p1.25

Inglese

- 1 Manifold
- 1 Connector
- 1 Gasket
- 5 Bolt
- 1 Manifold
- 1 Gasket
- 8 Stud
- 8 Nut
- 2 Bolt

Engine

X10 series (2011-) - RPK1 - X10.50M-EU

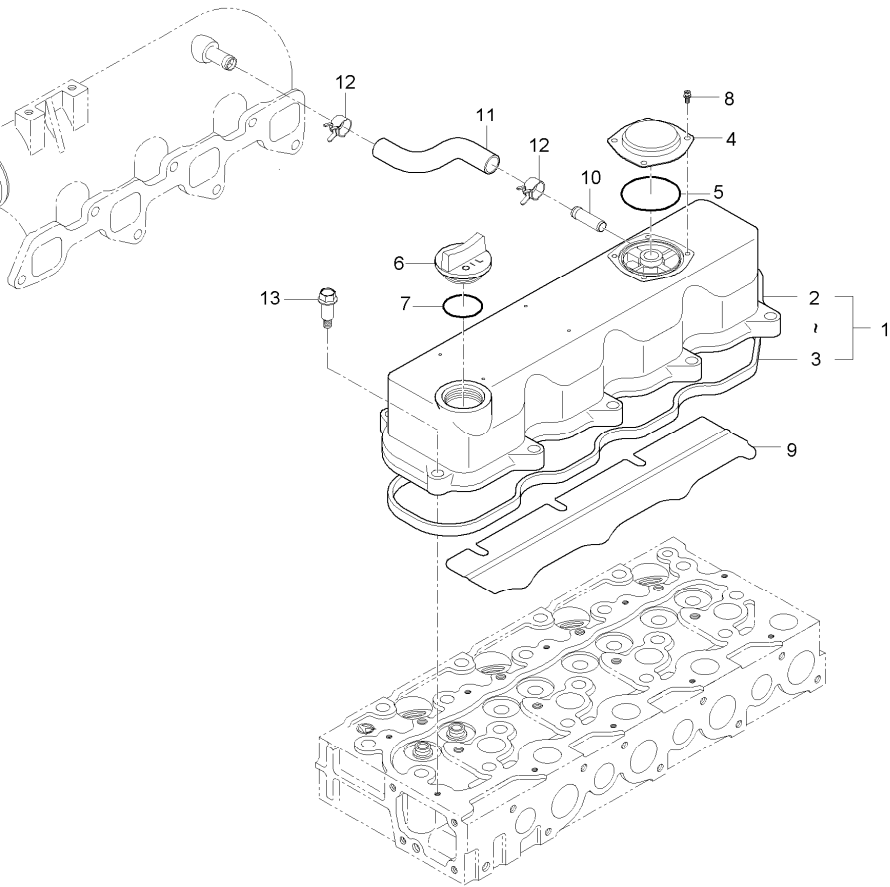
daedong_X10\4A220-E090.png

E-04-
4A220-
-xxx



E044A2
20E090

Cylinder head cover



1 E044A2 20E090

G30
M5*p0.8

Inglese

- 1 Cylinder head
- 1 Coperch.
- 1 Gasket
- 1 Coperch.
- 1 Ring
- 1 Plug
- 1 Ring
- 4 Screw
- 1 Plate
- 1 Connector
- 1 Pipe
- 2 Clip
- 10 Bolt

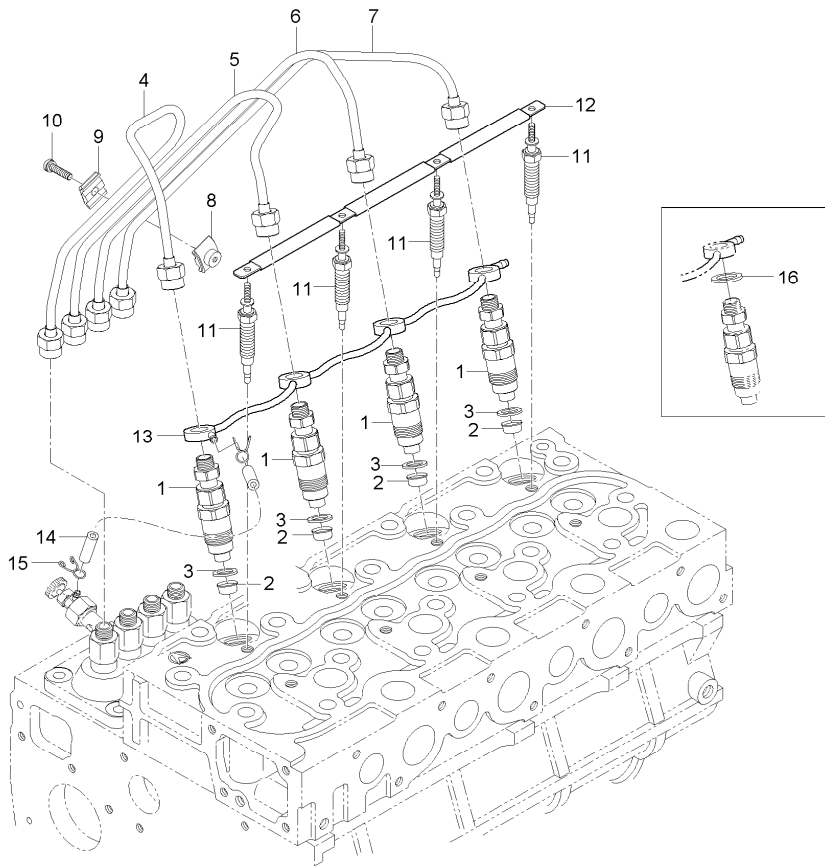
Engine

X10 series (2011-) - RPK1 - X10.50M-EU

daedong_X10\4A220-E130.png

**E-04-
4A220-**
E044A2
20E130

Fuel injection equipment (diesel)



1 E0200 E0205

- | | |
|--|----------|
| | Inglese |
| | 4 Nozzle |
| | 4 Gasket |
| | 4 Gasket |
| | 1 Pipe |
| | 1 Pipe |
| | 1 Pipe |
| | 1 Pipe |
| | 3 Clamp |
| | 3 Clamp |
| | 3 Screw |
| | 4 Plug |
| | 1 Cord |
| | 1 Pipe |
| | 1 Pipe |
| | 2 Clip |
| | 4 Gasket |

Engine

X10 series (2011-) - RPK1 - X10.50M-EU

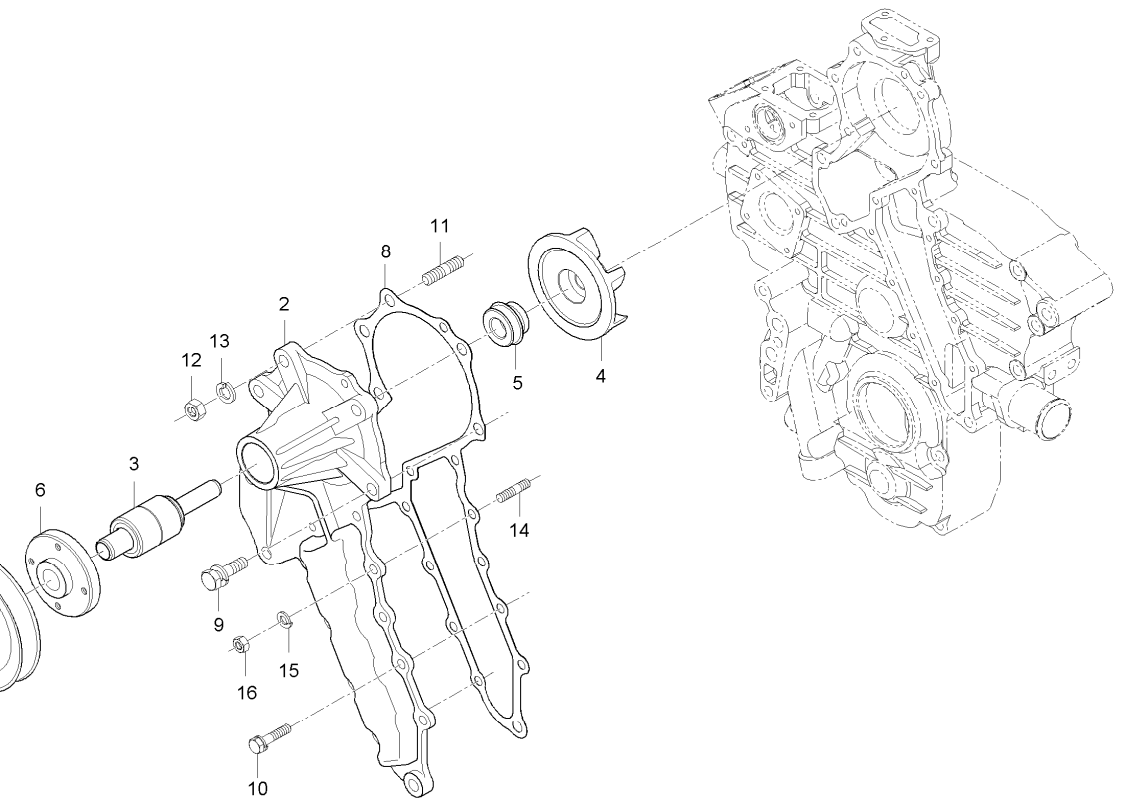
daedong_X10\4A220-E180.png

E-04-
4A220-
7100



E044A2
20E180

Water pump



1 55800 72027

D607010rse

M8*p1.25

M8

Dia6,m6*1.0*32

M6

M6*p1.0

Inglese

- 1 Washer
- 1 Body
- 1 Bearing
- 1 Impeller
- 1 Seal
- 1 Flange
- 1 Pulley
- 1 Gasket
- 4 Bolt
- 8 Bolt
- 1 Stud
- 1 Nut
- 1 Washer
- 1 Stud
- 1 Washer
- 1 Nut

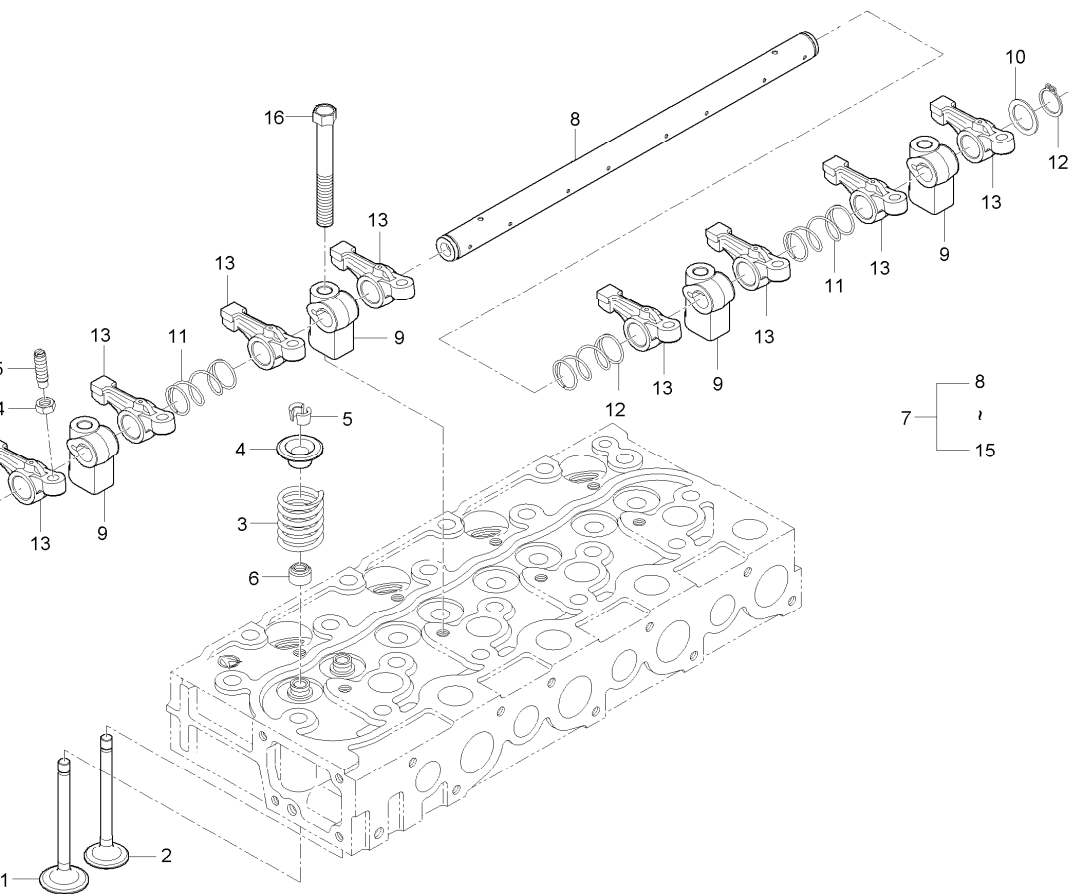
Engine

X10 series (2011-) - RPK1 - X10.50M-EU

**E-04-
4A220**
E044A2
20AE08
0

Independant p.t.o.

daedong_X10\4A220A-E080.png



Inglese

- 4 Valve
- 4 Valve
- Dia3.5 8 Spring
- 8 Retainer
- Kk8(??trw) 16 Manifold
- 8 Ring
- 1 Rocker
- Dia21*7*360 1 Shaft
- 4 Support
- T1.2*30*30 2 Washer
- 3 Spring
- 2 Smock
- 8 Arm
- Hex12,m8*1.0*11 8 Nut
- Dia10,m8*1.0*34 8 Screw
- 4 Bolt

Engine

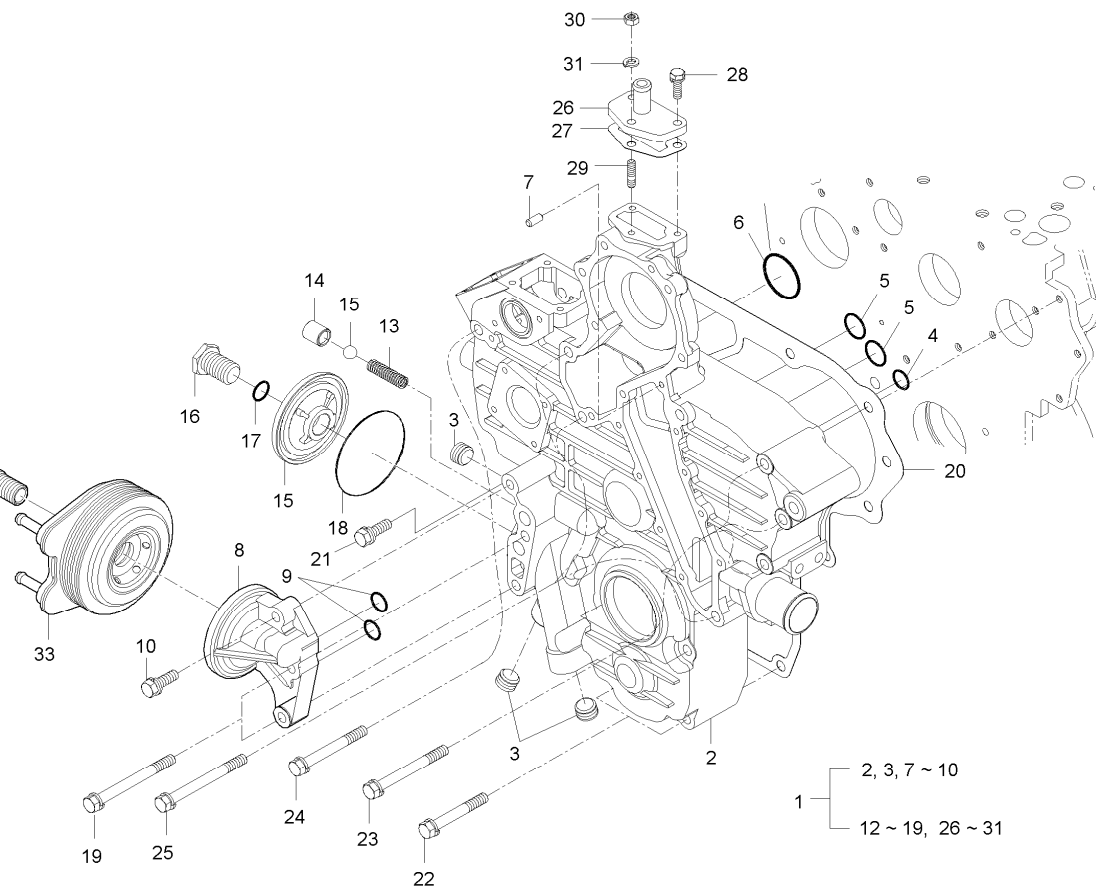
X10 series (2011-) - RPK1 - X10.50M-EU

**E-04-
4A220**

E044A2
20TLXE
040

Gear box: controls - rods and yokes

daedong_X10\4A220TLX-E040.png



Inglese

- 1 Gearbox
- 1 Case
- 3 Plug
- 1 Ring
- 2 Ring
- 1 Ring
- 2 Pin
- 1 Support
- 2 Ring
- M8x1.25 1 Bolt
- 1 Pipe
- Dia1.2 1 Spring
- Dia16*21 1 Seat
- 13/32"(10.3188) 1 Stay
- 1 Coperch.
- 1 Bolt
- 1 Ring
- 1 Ring
- M8x1.25 2 Bolt
- 1 Gasket
- M8x1.25 1 Bolt
- M8*1.25 2 Bolt
- 5 Bolt

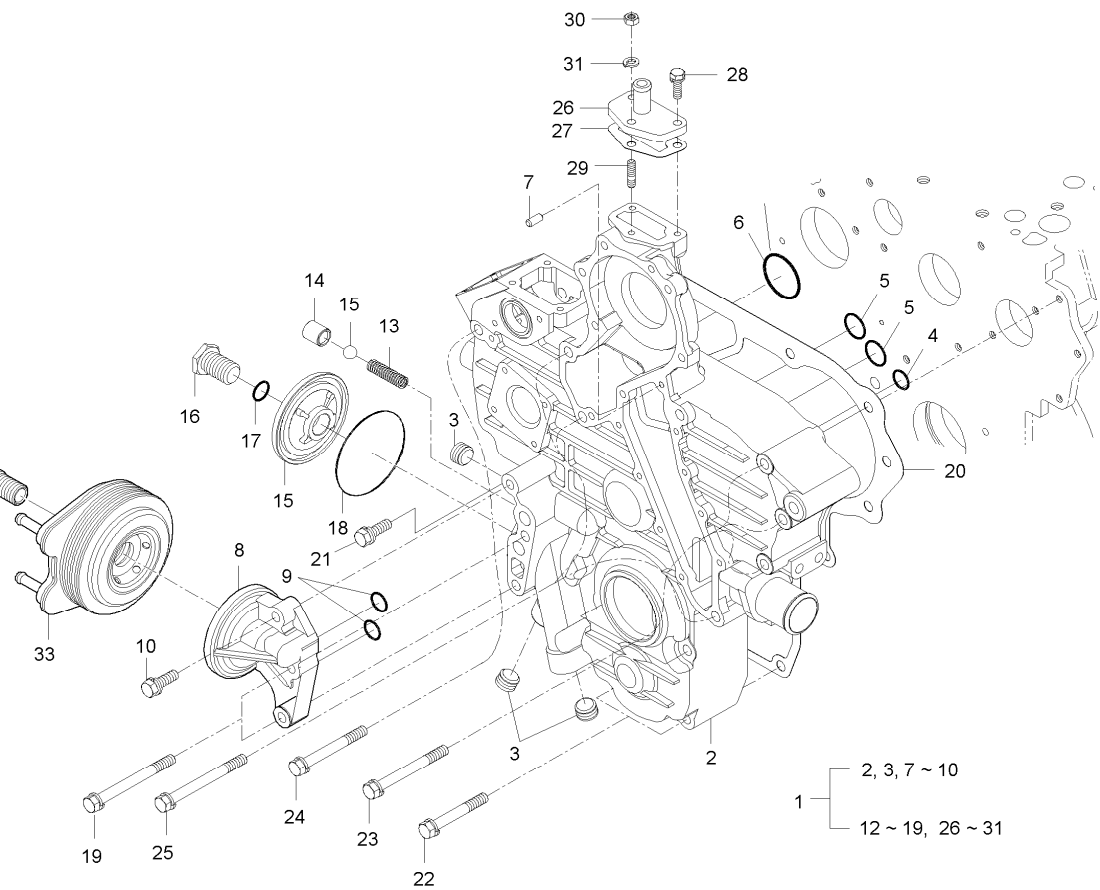
Engine

X10 series (2011-) - RPK1 - X10.50M-EU

**E-04-
4A220**
E044A2
20TLXE
040

Gear box: controls - rods and yokes

daedong_X10\4A220TLX-E040.png



Inglese

- 2 Bolt
- 3 Bolt
- 1 Flange
- 1 Gasket
- 2 Bolt
- 1 Stud
- 1 Nut
- 1 Washer
- 1 Filter
- 1 Exchanger

T0.5
M6*1.0
Dia6*28
M6*p1.0
M6

2, 3, 7 ~ 10
1 { 12 ~ 19, 26 ~ 31

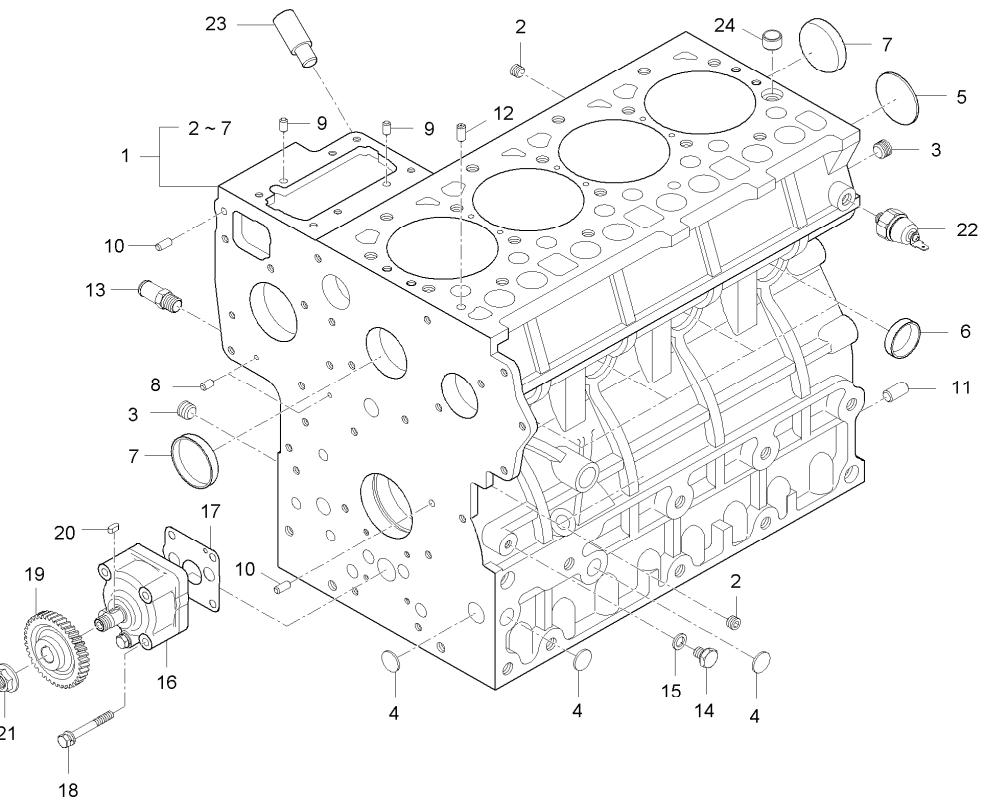
Engine

X10 series (2011-) - RPK1 - X10.50M-EU

daedong_X10\4B243-E010.png

**E-04-
4B243-**
E044B2
43E010

Cylinder block



1 E044B2 43E010

- | | Inglese |
|---------------|-------------------|
| 1 | Cylinder |
| 6 | Plug |
| 2 | Plug |
| 3 | Plug |
| T2*48*48 | 1 Plug |
| T1.6*52*52 | 6 Cap |
| T1.6*65*65 | 2 Cap |
| | 2 Pin |
| | 2 Pin |
| | 2 Pin |
| | 1 Pin |
| Dia8*18 | 1 Pin |
| | 1 Pipe |
| Hex14,m8*1.25 | 1 Plug |
| T1.5 | 1 Gasket |
| | 1 Pan |
| T0.3*60*60 | 1 Gasket |
| | 4 Bolt |
| | 1 Gear |
| 5*5*14 | 1 Key |
| M12*p1.25 | 1 Nut |
| | 1 Switch,indirect |

Engine

X10 series (2011-) - RPK1 - X10.50M-EU

**E-04-
4B243-**
E044B2
43E010

Cylinder block

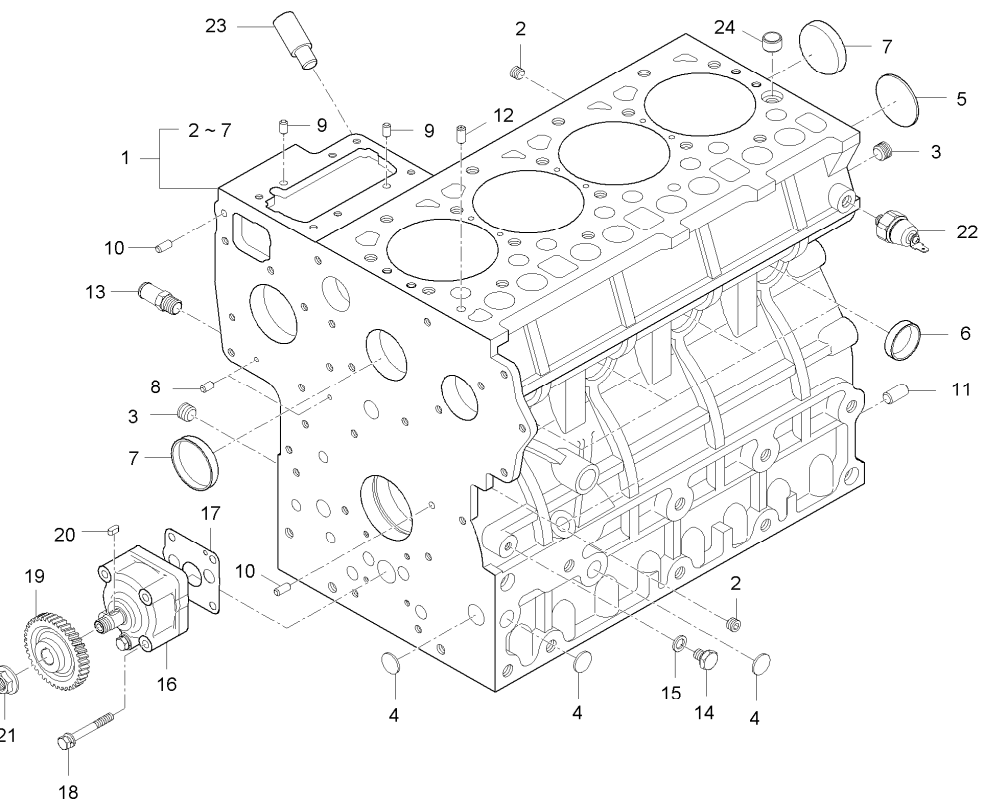
daedong_X10\4B243-E010.png

Inglese

1 Guide

1 Pin

33 55753 25603



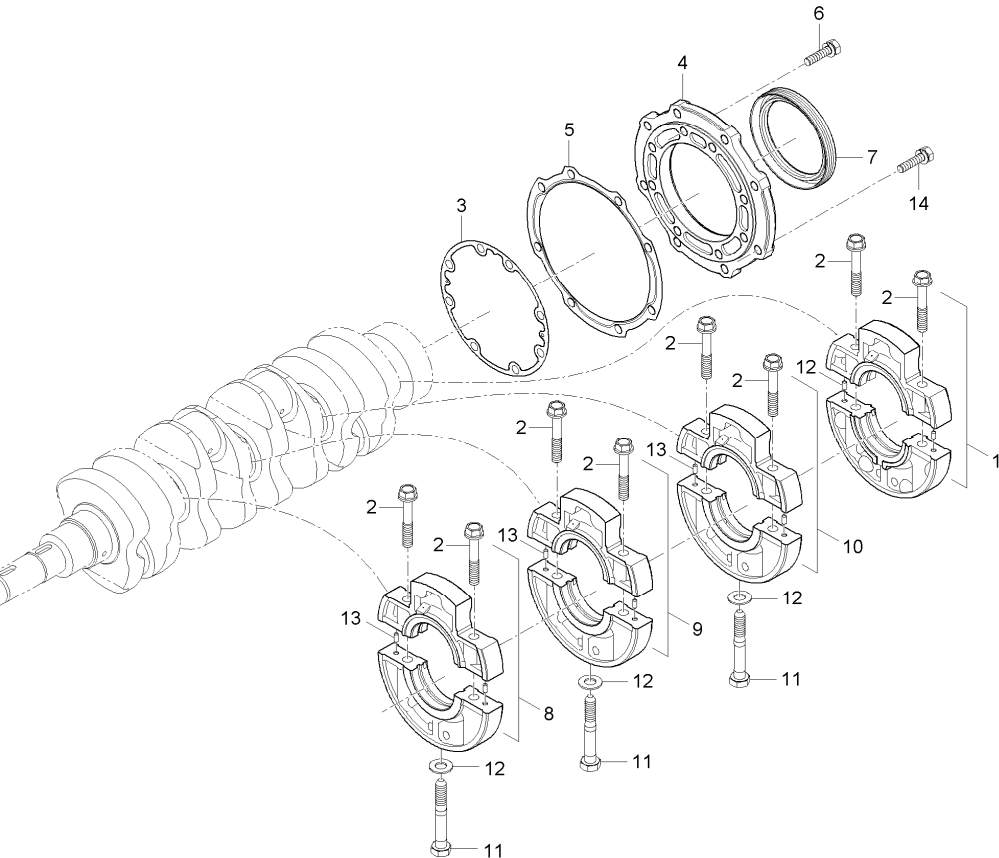
Engine

X10 series (2011-) - RPK1 - X10.50M-EU

daedong_X10\4B243-E050.png

**E-04-
4B243-**
E044B2
43E050

Centre axle housing



1 55850 01011

Inglese

- 1 Bearing
- 8 Bolt
- 1 Gasket
- 1 Coperch.
- 1 Gasket
- 8 Bolt
- 1 Seal
- 1 Bearing
- 1 Bearing
- 1 Bearing
- 3 Bolt
- 3 Washer
- 8 Pin
- 8 Bolt

Hex17,m10*1.25*!

M10

M8*p1.25

Engine

X10 series (2011-) - RPK1 - X10.50M-EU

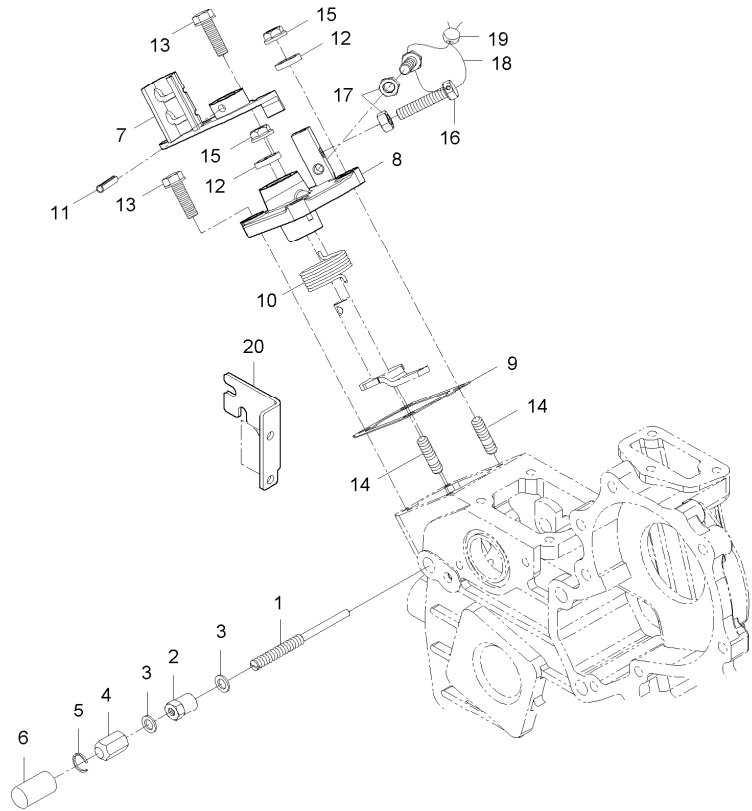
daedong_X10\4B243-E150.png

E-04-
4B243-



E044B2
43E150

Independant p.t.o.



1 - E044B2 43E150

D=0.8

D=12,t=1.0

Dia6,m6*1.0*32

M6*p1.0

Hex10,m6*1.0

M6*p1.0

Inglese

- 1 Bolt
- 1 Nut
- 2 Gasket
- 1 Cap
- 1 Smock
- 1 Cap
- 1 Lever
- 1 Plate
- 1 Gasket
- 1 Spring
- 1 Pin
- 1 Seal
- 3 Bolt
- 1 Stud
- M6*p1.0 1 Nut
- Hex10,m6*1.0 2 Screw
- M6*p1.0 2 Nut
- 1 Harness
- 1 Seal
- 1 Stirrup

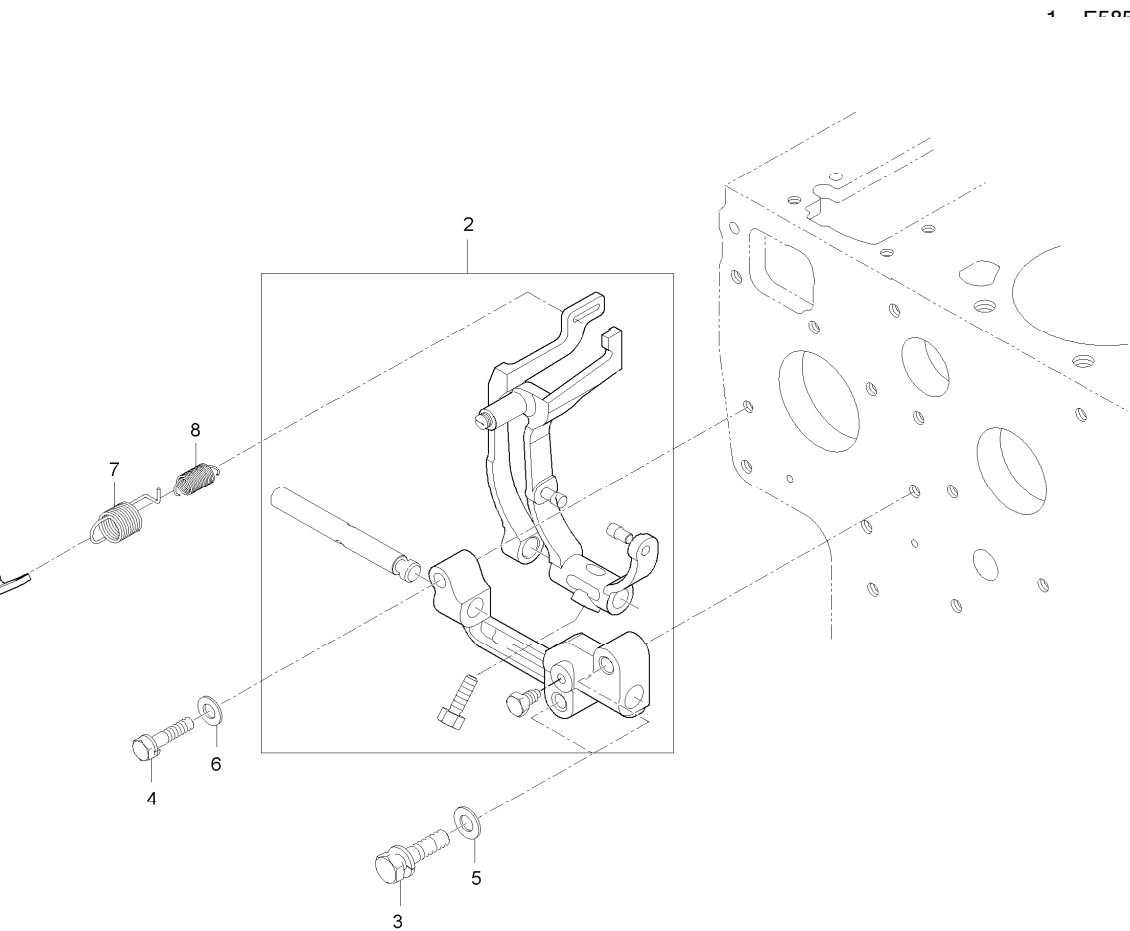
Engine

X10 series (2011-) - RPK1 - X10.50M-EU

daedong_X10\4B243-E170.png

**E-04-
4B243-**
E044B2
43E170

Hydraulic pump - double body - "bosch"



1 55850 50021

M8*p1.25
Hex10*38
Dia18*t1.2
M6

Inglese

- 1 Lever
- 1 Fork
- 2 Bolt
- 1 Bolt
- 2 Washer
- 1 Washer
- 1 Spring
- 1 Spring



Suggest:

For more complete manuals. Please go to the home page.


<https://www.ebooklibonline.com>

If the above button click is invalid. Please download this document first, and then click the above link to download the complete manual.

Thank you so much for reading

Engine

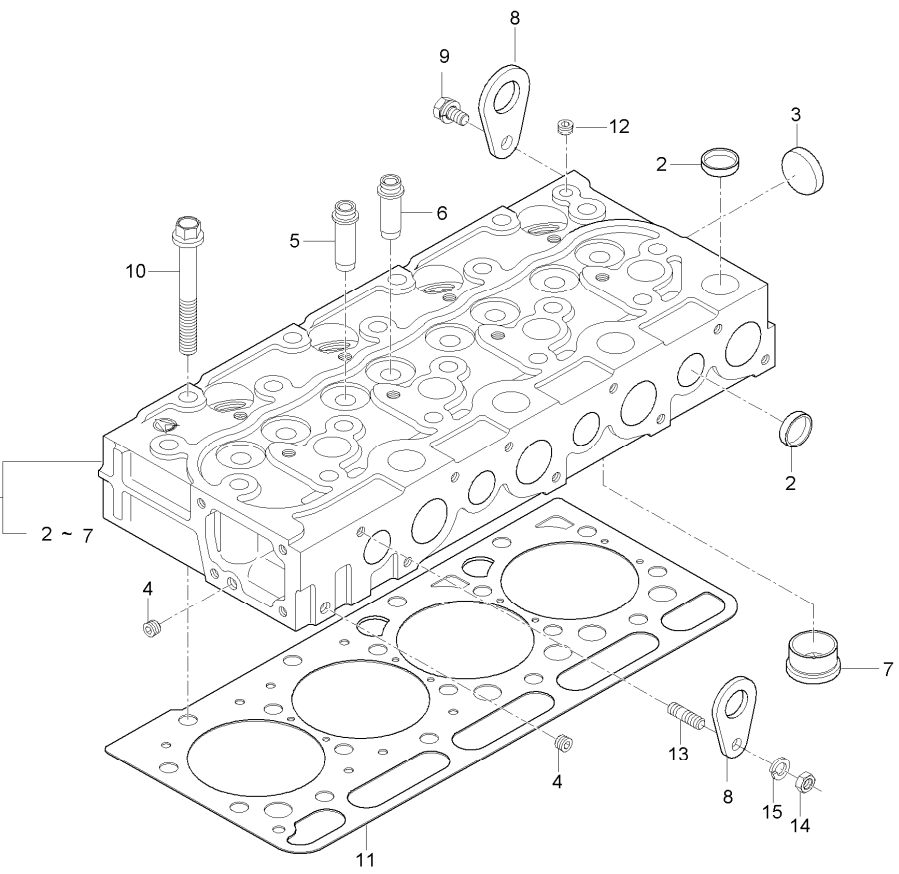
X10 series (2011-) - RPK1 - X10.50M-EU

**E-04-
4B243**
.....
 E044B2
43LWE0

30

Cylinder head cover

daedong_X10\4B243LW-E030.png




Inglese

- 1 Cylinder head
- T1.6*40*40 12 Cap
- T1.6*60*60 1 Cap
- 2 Plug
- 4 Guide
- 4 Guide
- 4 Plug
- T4*40*64 2 Hook
- M8*p1.25 1 Bolt
- M11x1.25p 18 Screw
- 1 Gasket
- 1 Plug
- M8*1.25 1 Stud
- M8*p1.25 1 Nut
- M8 1 Washer

Engine

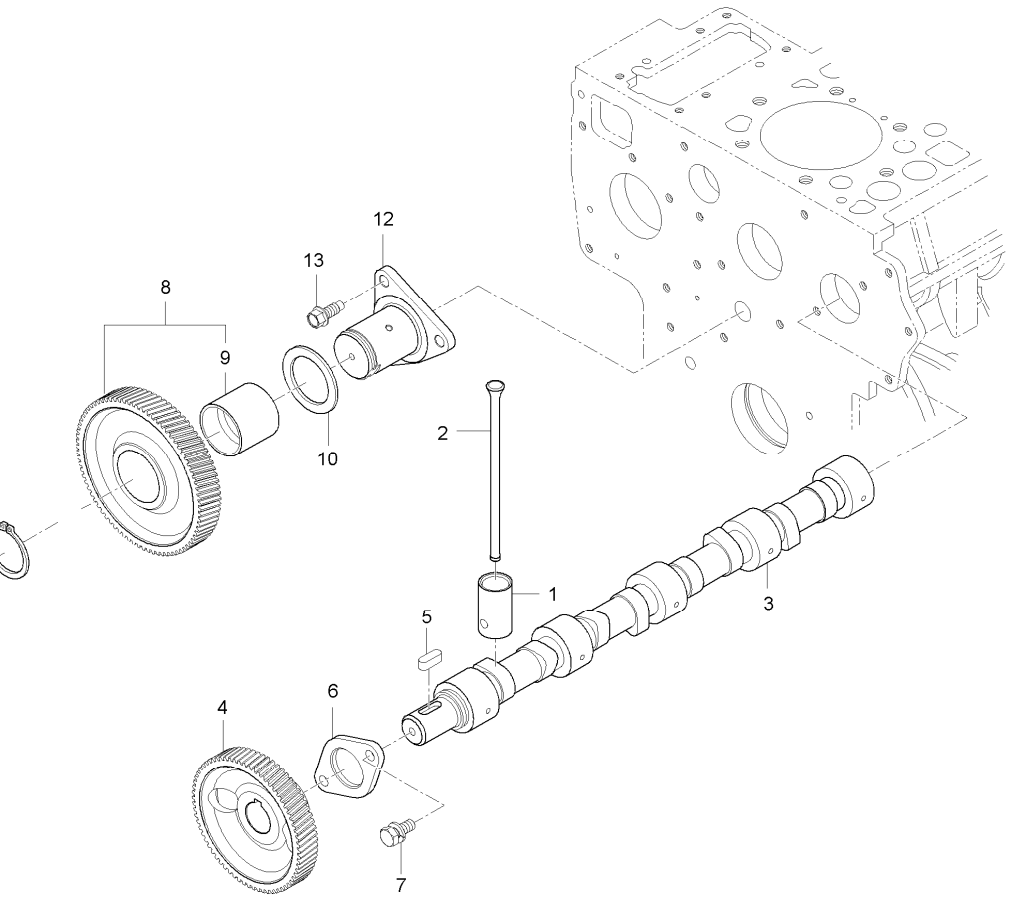
X10 series (2011-) - RPK1 - X10.50M-EU

**E-04-
4B243**
.....

 E044B2
43LWE1
00

Camshaft

daedong_X10\4B243LW-E100.png



	Inglese
Dia26*51	8 Tappet
	8 Rod
	1 Cam
820g	1 Gear
8*8*24	1 Key
	1 Stop
M8*p1.25	2 Bolt
	1 Valve
	1 Bush
	1 Collar
	1 Smock
	1 Shaft
M8*p1.25	3 Bolt

<https://www.ebooklibonline.com>

Hello dear friend!

Thank you very much for reading.

Enter the link into your browser.

The full manual is available for immediate download.

<https://www.ebooklibonline.com>