

Engine

X7.6 Tier 4i (2013- ) - RPE2 - X7.680

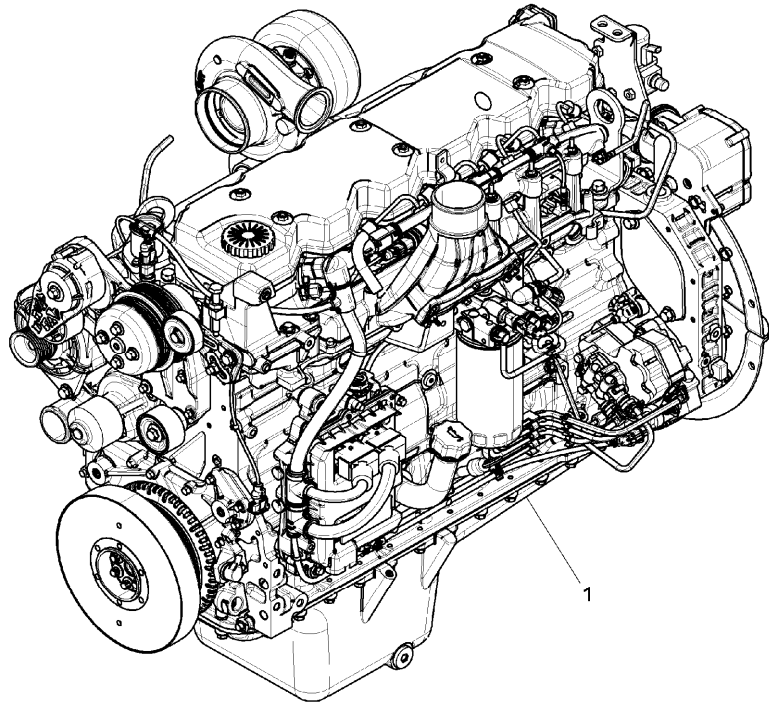
RPE2\00042127.png

A-05  
01



A0501

Engine assembly



			Inglese
1	6518812M91	"fpt nef" 151 kw	1 Engine
1	6524951M91	"fpt nef" 151 kw	1 Engine
	A		
	B		
	C		
1	6532053M91	"fpt nef" 154 kw	1 Engine
	D		
	E		
	F		
A	Flexibility engine		
B	Cee		
C	Nao		
D	Tier 3		
E	Excluded "c.e.e." market		
F	Excluded "n.a.o." market		

Engine

X7.6 Tier 4i (2013- ) - RPE2 - X7.680

RPE2\00041500.png

**A-05  
015**



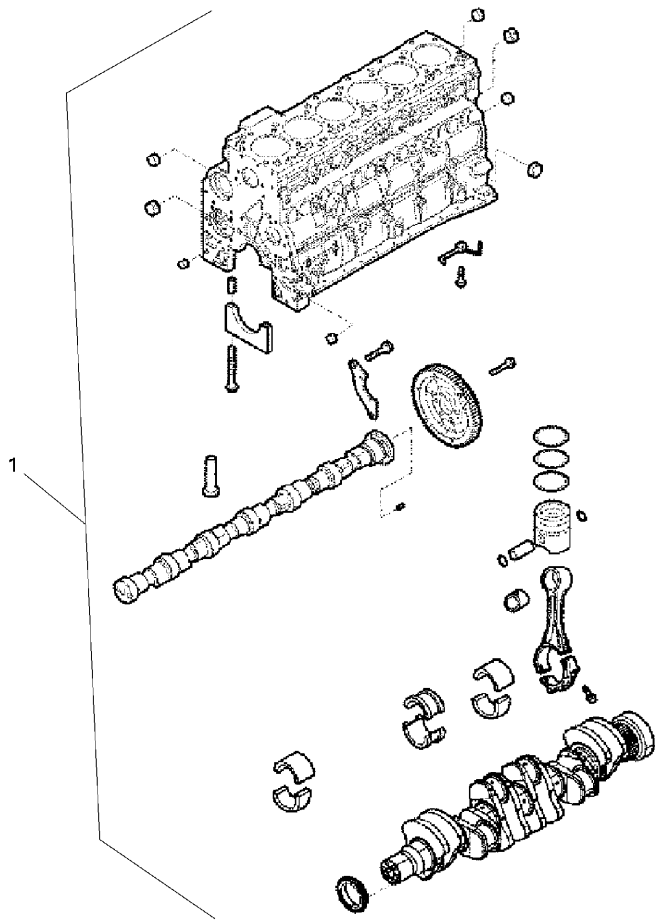
A05015

Short engine

1 6513390M91

Inglese

1 Short engine



Engine

X7.6 Tier 4i (2013- ) - RPE2 - X7.680

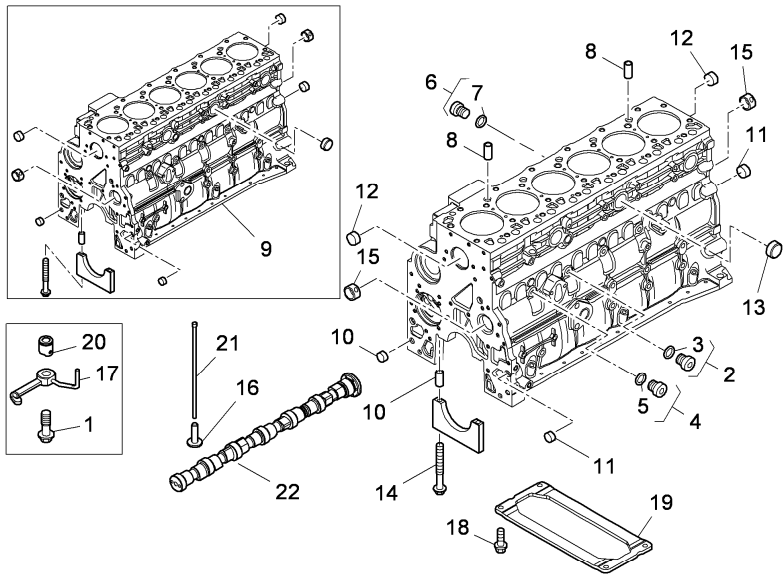
RPE2\00044815.png

A-05  
02



A0502

Crankcase



		Inglese
1	3688692M1	6 Filler
2	3689350M1	2 Plug
3	3688868M1	1 O ring
4	3688822M1	2 Plug
5	3688855M1	1 O ring
6	3688780M1	3 Plug
7	3688781M1	1 O ring
		707405A1(1)
8	3688760M1	2 Dowel pin
9	704604A1	1 Crankcase
10	3688824M1	14 Dowel pin
		704983A1(14)
11	3688758M1	3 Plug
		17,73x6,35x1,07
12	3688757M1	6 Plug
		58,06x8,25x1,52
13	3688775M1	3 Plug
		35,23x7,94x1,52
14	3688673M1	14 Screw
		M12x120 mm
		704696A1(14)
15	3688759M1	1 Bearing
16	3688877M1	12 Platform
17	3689030M1	6 Splasher
18	704985A1	4 Bolt
		M10x25 mm

**<https://www.ebooklibonline.com>**

Hello dear friend!

Thank you very much for reading.

Enter the link into your browser.

The full manual is available for immediate download.

**<https://www.ebooklibonline.com>**

Engine

X7.6 Tier 4i (2013- ) - RPE2 - X7.680

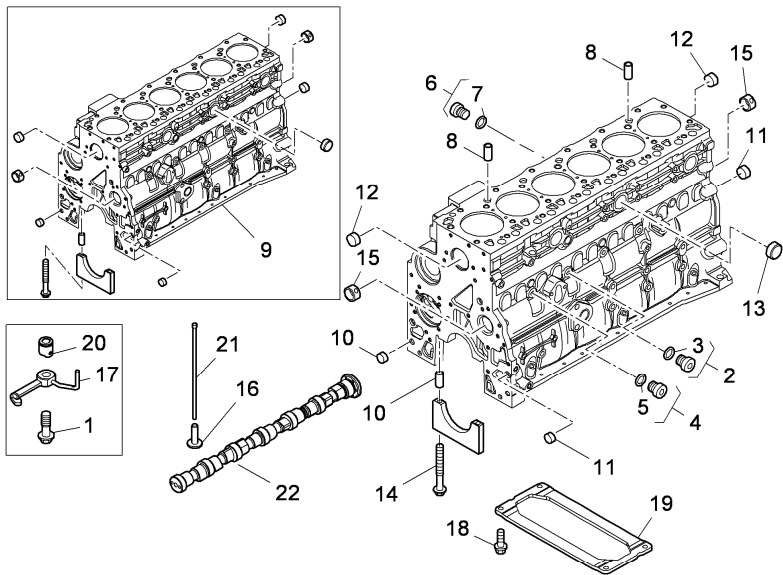
RPE2\00044815.png

A-05  
02



A0502

Crankcase



19 705218A1

20 A-05 11 20

21 A-05 09 17

22 A-05 14 5

! This is a component of an assembly

See page - reference number

Length

Replacement

Inglese

1 Plate

6 Piston

12 Rod

1 Camshaft

Engine

X7.6 Tier 4i (2013- ) - RPE2 - X7.680

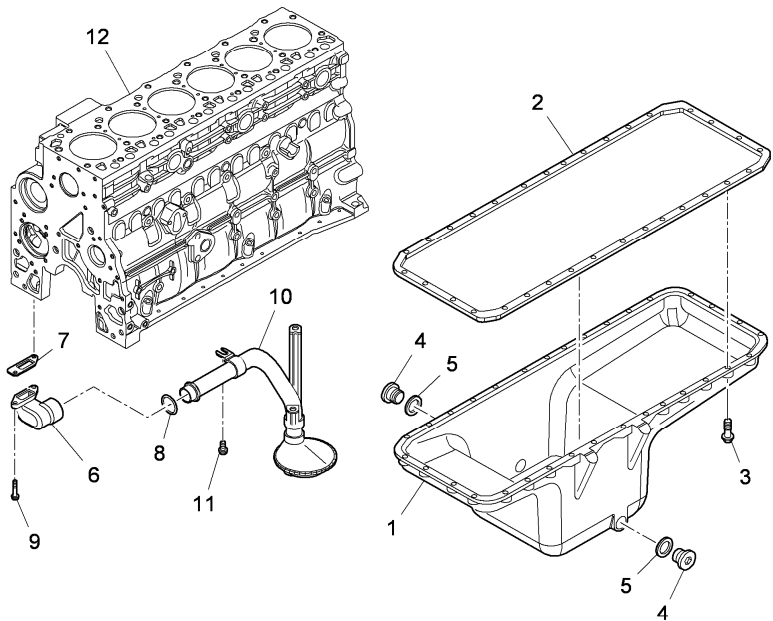
RPE2\00044816.png

A-05  
03



A0503

Oil sump



- |    |           |   |              |         |    |         |
|----|-----------|---|--------------|---------|----|---------|
| 1  | 705252A1  |   |              | Inglese | 1  | Housing |
| 2  | 705082A1  |   |              |         | 1  | Gasket  |
| 3  | 3688942M1 | ◄ | M8x30 mm     |         | 32 | Screw   |
|    |           | ● | 706309A1(32) |         |    |         |
| 4  | 3688691M1 |   |              |         | 2  | Plug    |
| 5  | 3688997M1 |   |              |         | 2  | O ring  |
| 6  | 705185A1  |   |              |         | 1  | Insert  |
| 7  | 704957A1  |   |              |         | 1  | Gasket  |
| 8  | 704589A1  |   |              |         | 1  | Gasket  |
| 9  | 710626A1  | ◄ | M8x25 mm     |         | 2  | Screw   |
| 10 | 705298A1  |   |              |         | 1  | Pipe    |
| 11 | 704827A1  | ◄ | M10x20 mm    |         | 1  | Screw   |
| 12 |           | ◁ | A-05 02 9    |         | 1  | Housing |

◁ See page - reference number

◄ Length

● Replacement

Engine

X7.6 Tier 4i (2013- ) - RPE2 - X7.680

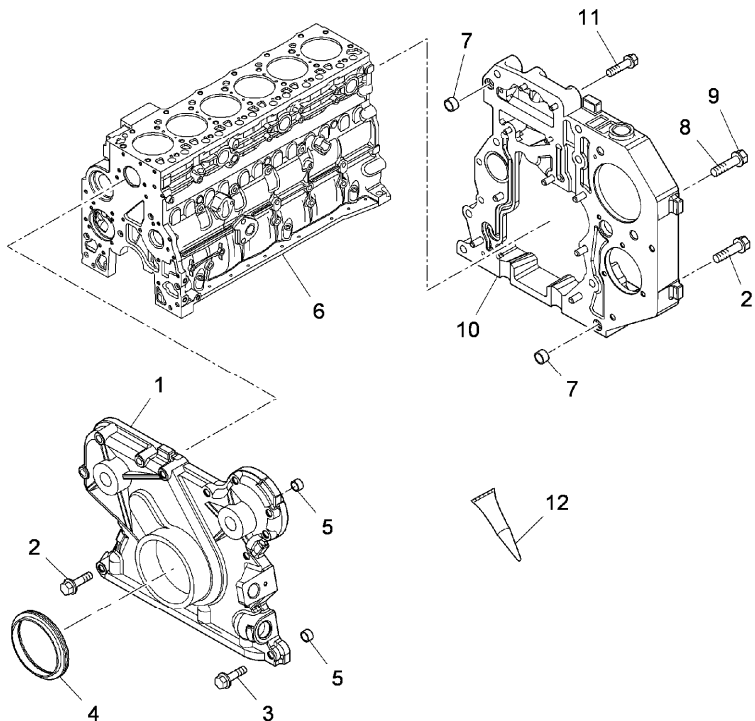
RPE2\00006689.png

**A-05  
04**



A0504

Crankcase covers



- |    |           | Inglese                     |
|----|-----------|-----------------------------|
| 1  | 704913A1  | 1 Cover                     |
| 2  | 705003A1  | 9 Screw                     |
| 3  | 3688853M1 | 8 Screw                     |
| 4  | 6513391M1 | 1 Ring                      |
| 5  | 704693A1  | 2 Stud                      |
| 6  |           | 1 Crankcase                 |
| 7  | 3688824M1 | 2 Dowel pin                 |
| 8  | 705015A1  | 2 Screw                     |
| 9  | 704999A1  | 1 Screw                     |
| 10 | 6513392M1 | 1 Box                       |
| 11 | 704910A1  | 3 Screw                     |
| 12 | 3688632M1 | 3688632M2(999) 999 Adhesive |
- ◁ See page - reference number  
 ▷ Length  
 ● Replacement

Engine

X7.6 Tier 4i (2013- ) - RPE2 - X7.680

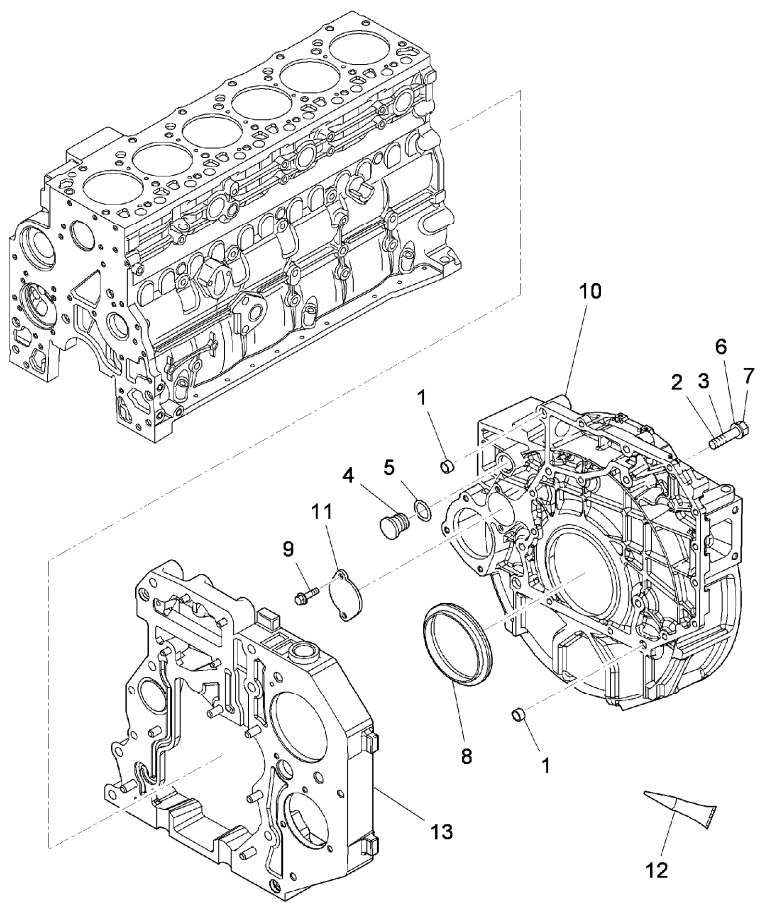
RPE2\00006690.png

A-05  
05



A0505

Flywheel housing



		Inglese
1	3688824M1	● 704983A1(2)
2	705020A1	◄ M10x80 mm
3	712165A1	◄ M10x40 mm
4	704847A1	
5	714949A1	
6	705002A1	◄ M12x80 mm
7	4219091M1	
8	6525643M1	130x155x12,5
9	3688854M1	◄ M8x17 mm
		● 704997A1(2)
10	705098A1	
11	704799A1	
12	3688632M1	● 3688632M2(999)
13		◄ A-05 04 10
		◄ See page - reference number
		◄ Length
		● Replacement
		2 Dowel pin
		2 Screw
		10 Screw
		1 Plug
		1 O ring
		6 Screw
		2 Screw
		1 Ring
		2 Screw
		1 Cover
		1 Cover
		999 Adhesive
		1 Box

Engine

X7.6 Tier 4i (2013- ) - RPE2 - X7.680

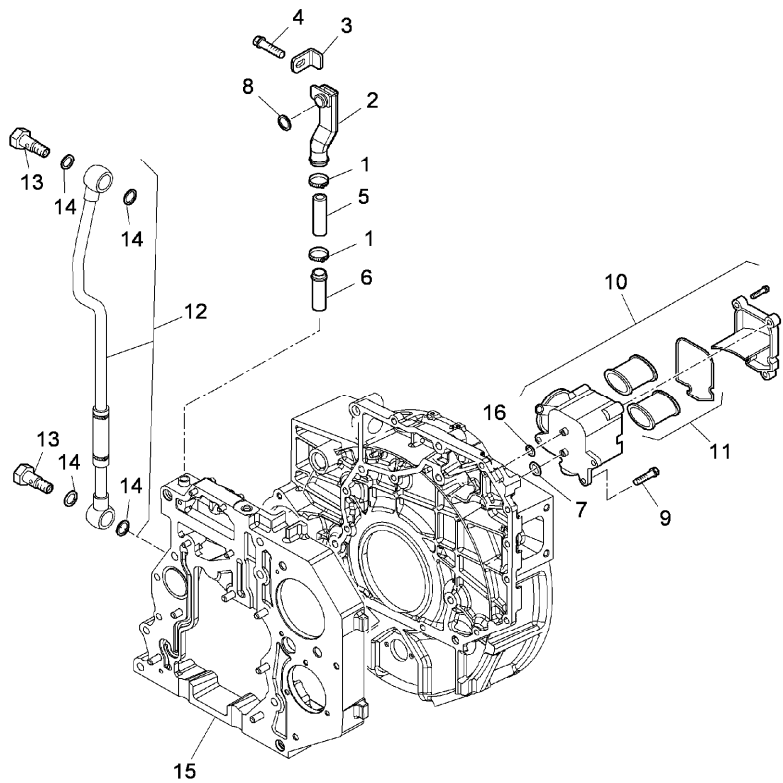
RPE2\00042132.png

**A-05  
06**



A0506

Engine breathers



		Inglese
1	704728A1	2 Collar
2	704935A1	1 Pipe
3	704936A1	1 Bracket
4	704937A1	1 Screw
5	704939A1	1 Sleeve
6	704940A1	1 Union
7	704960A1	1 Gasket
8	3688996M1	1 Ring
9	705014A1	3 Screw
10	3685425M91	1 Breather
11	707340A1	1 Kit
12	705029A1	1 Pipe
13	3688929M1	2 Filler
	! 12	
	● 707341A1(2)	
14	3688878M1	4 Gasket
	! 12	
15	◁ A-05 04 10	1 Box
16	704619A1	1 Ring

- ! This is a component of an assembly
- ◁ See page - reference number
- Replacement

Engine

X7.6 Tier 4i (2013- ) - RPE2 - X7.680

RPE2\00042605.png

A-05  
061



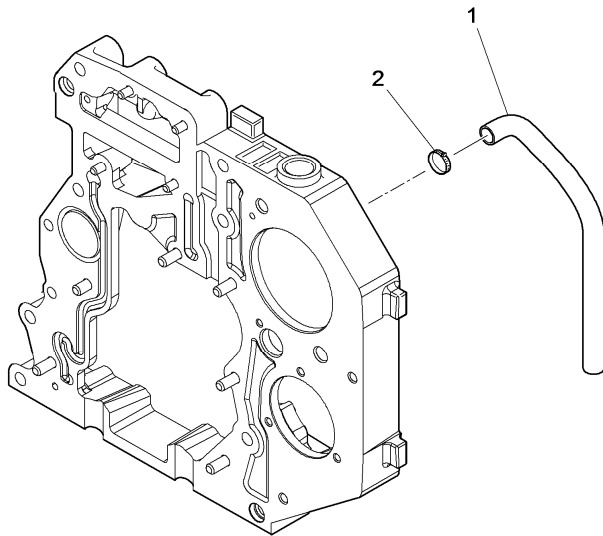
A05061

Engine breathers

Inglese

- A
- 1 714463A1
- 2 3551942M1
- A With tier 3 engine

- 1 Pipe
- 1 Clamp



Engine

X7.6 Tier 4i (2013- ) - RPE2 - X7.680

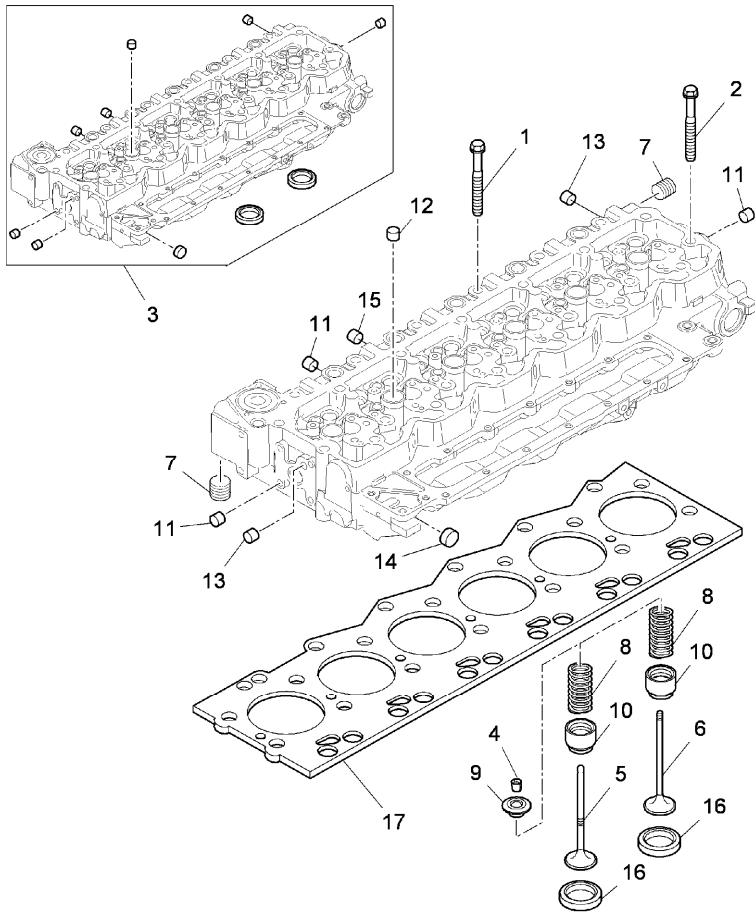
RPE2\00006692.png

A-05  
07



A0507

Head cylinder



		Inglese			
1	3688651M1	◄►	M12x130 mm	12	Screw
2	3688652M1	◄►	M12x150 mm	14	Screw
3	3688621M1			1	Cylinder head
4	3688858M1	!	3	48	Cone
5	3688761M1	!	3	12	Valve
6	3688762M1	!	3	12	Valve
7	3688683M1	!	3	1	Plug
8	6513397M1			24	Spring
9	3688766M1	!	3	24	Cup
10	3688622M1	!	3	24	Cap
		➔	63212		
10	707343A1	!	3	12	Protection cap
		➔	63211		
10	707344A1	!	3	12	Protection cap
		➔	63211		
		●	3688622M1(12)		
11	3688768M1	!	3	13	Plug
			25,74x8,13x1,27		
12	3688769M1	!	3	11	Plug
			22,5 mm x 1,27 m		
13	3688782M1	!	3	7	Plug
14	3688794M1	!	3	2	Plug
15	3688795M1	!	3	2	Plug
16	704914A1	!	3	12	Valve seat
16	704941A1	!	3	12	Valve seat

Engine

X7.6 Tier 4i (2013- ) - RPE2 - X7.680

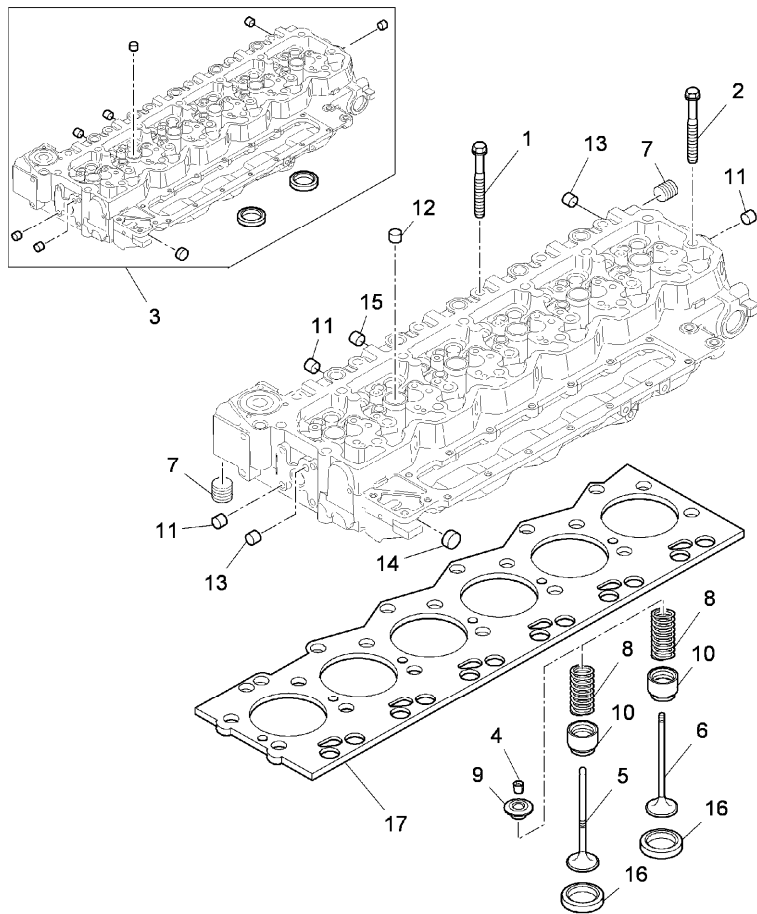
A-05  
07



A0507

Head cylinder

RPE2\00006692.png



Inglese

17 3688616M1 ! 3

1 Gasket

- ! This is a component of an assembly
- ➔ From serial or engine number
- ➔ Up to serial or engine number
- ↔ Length
- Replacement

Engine

X7.6 Tier 4i (2013- ) - RPE2 - X7.680

RPE2\00041517.png

**A-05**  
**075**



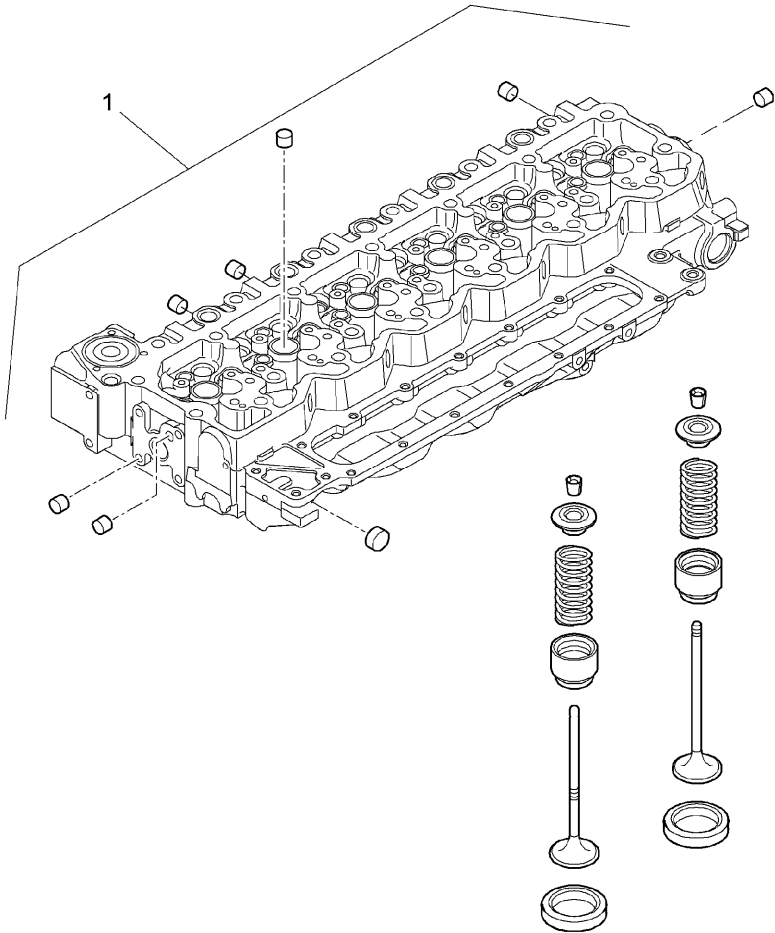
A05075

Cylinder head

1 704660A1

Inglese

1 Cylinder head



Engine

X7.6 Tier 4i (2013- ) - RPE2 - X7.680

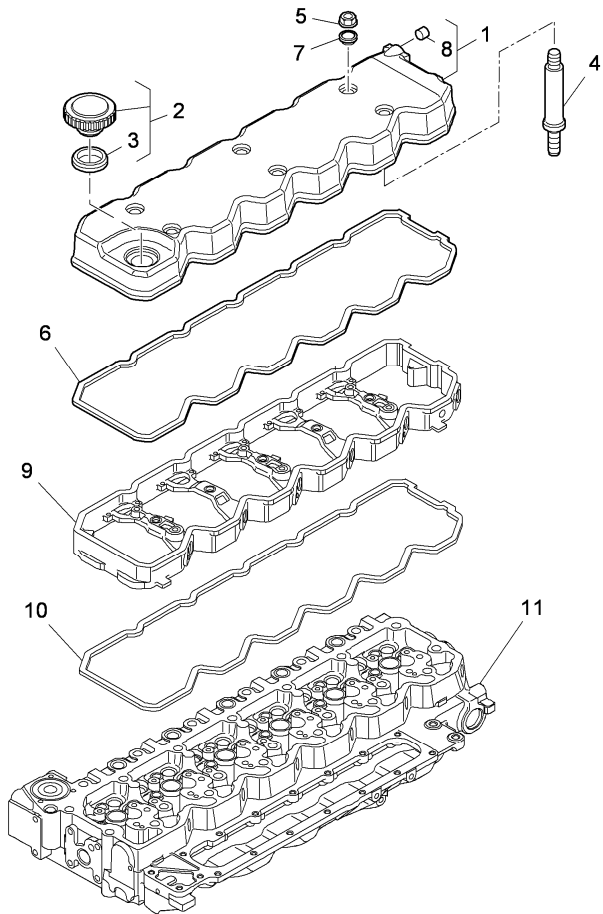
RPE2\00044817.png

A-05  
08



A0508

Cylinder head cover



- 1 3688802M1
- 2 6513399M91
- 3 3689016M1 ! 2
- 4 3689104M1
- 5 3689057M1
- 6 3689038M1
- 7 3689040M1
- 8 3688819M1 ! 1

Inglese

- 1 Coperch.
- 1 Plug
- 1 Gasket
- 4 Screw
- 6 Nut
- 1 Gasket
- 6 Spacer
- 1 Plug

● 704956A1(1)

- 9 ◁ A-05 09 13
- 10 ◁ A-05 09 19
- 11 ◁ A-05 07 3

- ! This is a component of an assembly
- ◁ See page - reference number
- Replacement

Engine

X7.6 Tier 4i (2013- ) - RPE2 - X7.680

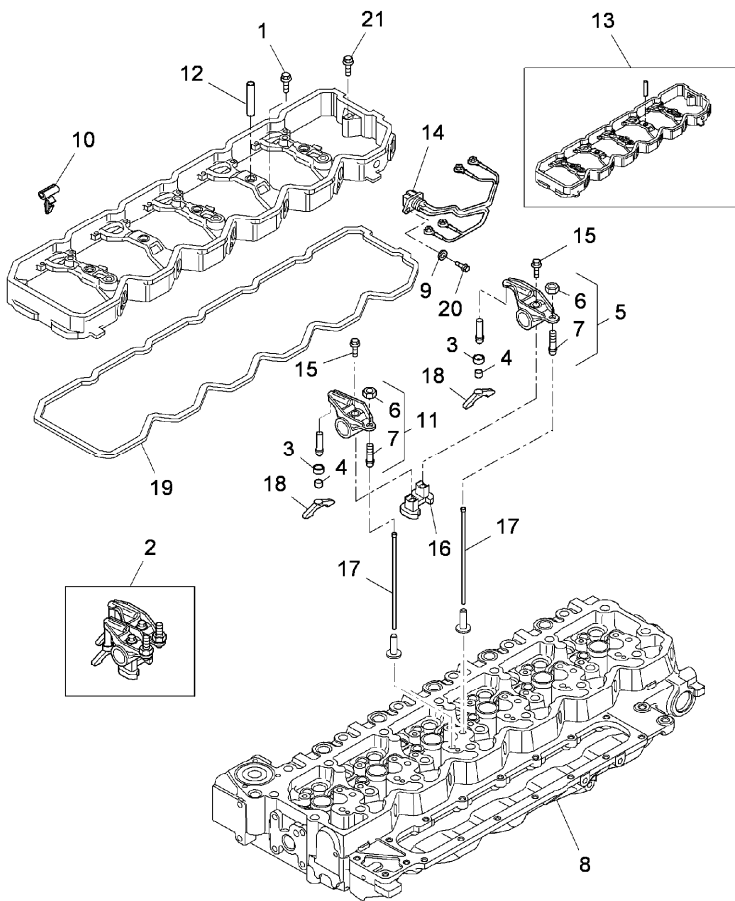
RPE2\00006694.png

A-05  
09



A0509

Rocker shaft



- |    |            |    |              |    |             |
|----|------------|----|--------------|----|-------------|
| 1  | 3688796M1  | ◄► | M8x70 mm     | 5  | Screw       |
|    |            | ●  | 704858A1(5)  |    |             |
| 2  | 6503095M2  |    |              | 6  | Shaft       |
| 3  | 6513400M1  |    |              | 12 | Cup         |
| 4  | 6513401M1  |    |              | 12 | Skate       |
| 5  | 6513402M91 |    |              | 6  | Rocker      |
| 6  | 6513403M1  |    |              | 12 | Nut         |
| 7  | 6513404M1  |    |              | 12 | Screw       |
| 8  |            | ◊  | A-05 07 3    | 1  | Head        |
| 9  | 3688950M1  | ●  | 707347A1(3)  | 3  | Lock washer |
| 10 | 3689037M1  | ●  | 705197A1(6)  | 6  | Spring      |
| 11 | 6513405M91 |    |              | 6  | Rocker      |
| 12 | 3688871M1  | ●  | 705039A1(5)  | 5  |             |
| 13 | 3688872M1  |    |              | 1  | Spacer      |
| 14 | 6525644M1  |    |              | 3  | Cable       |
| 15 | 3688609M1  | ▶  | 37131        | 12 | Screw       |
|    |            | ●  | 704622A1(12) |    |             |
| 15 | 3688860M1  | ▶  | 37130        | 12 | Screw       |
|    |            | ●  | 707345A1(12) |    |             |
| 16 | 6513406M1  |    |              | 6  | Support     |
| 17 | 3688756M1  |    |              | 12 | Rod         |
| 18 | 3689067M1  |    |              | 12 | Lever       |
| 19 | 3689039M1  |    |              | 1  | Gasket      |
| 20 | 3688945M1  | ◄► | M6x16 mm     | 3  | Screw       |
|    |            | ●  | 704572A1(3)  |    |             |

Engine

X7.6 Tier 4i (2013- ) - RPE2 - X7.680

RPE2\00006694.png

A-05  
09



A0509

Rocker shaft

Inglese

21 3688863M1 ● 705011A1(2)

2 Screw

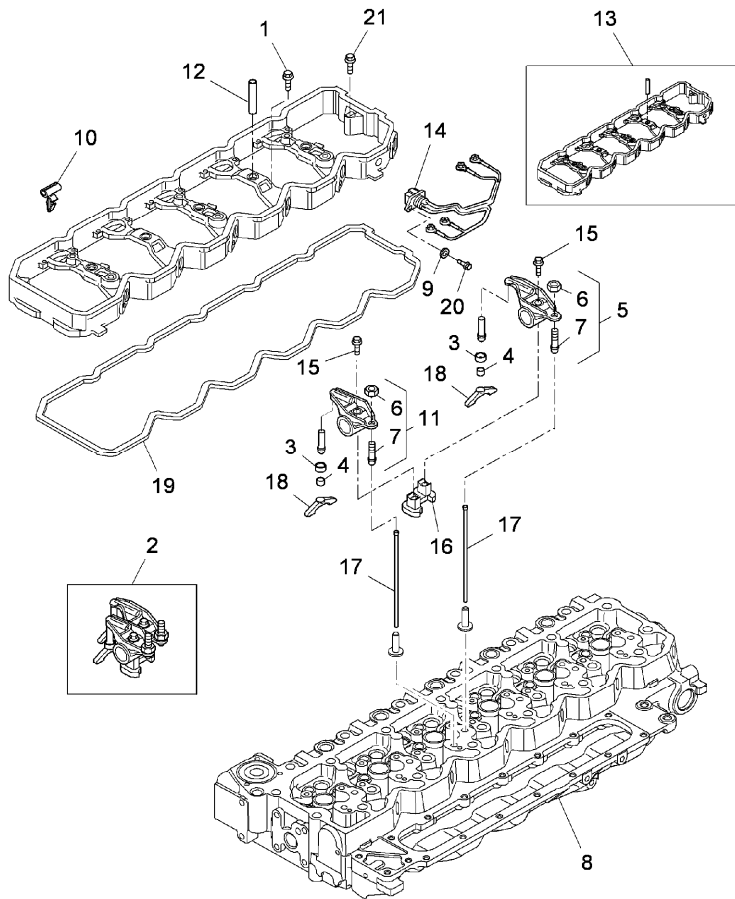
➔ From serial or engine number

➔ Up to serial or engine number

👁 See page - reference number

↔ Length

● Replacement



Engine

X7.6 Tier 4i (2013- ) - RPE2 - X7.680

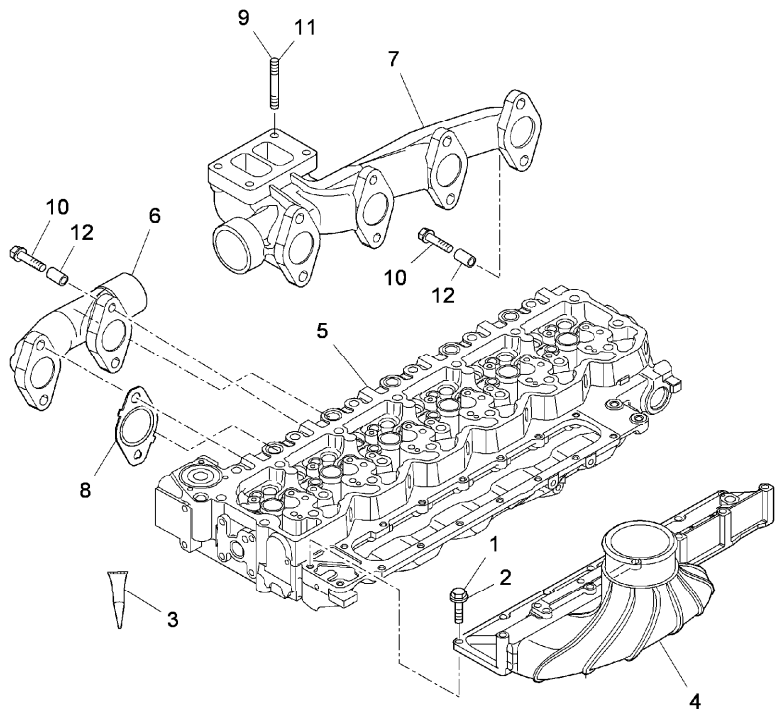
RPE2\00006695.png

A-05  
10



A0510

Intake and exhaust manifold



		Inglese
1	3688777M1	2 Screw
2	3688850M1 ◀▶ M8x25 mm	8 Screw
3	6500933M1	999 Loctite
4	3689091M1 A	1 Duct
5	◁ ▷ A-05 07 3	1 Head
6	6521609M1 B	1 Manifold
7	6521609M1 B	1 Manifold
8	3689062M1	6 Gasket
9	3688861M1 ● 705008A1(3)	3 Screw
10	3688774M2 ◀▶ M12x65	12 Screw
11	3688946M1 ◀▶ M10x35 mm	1 Screw
12	6513407M1	12 Spacer

◁ ▷ See page - reference number  
 ▶ ◀ Length  
 ● Replacement  
 A Inlet  
 B Exhaust

Engine

X7.6 Tier 4i (2013- ) - RPE2 - X7.680

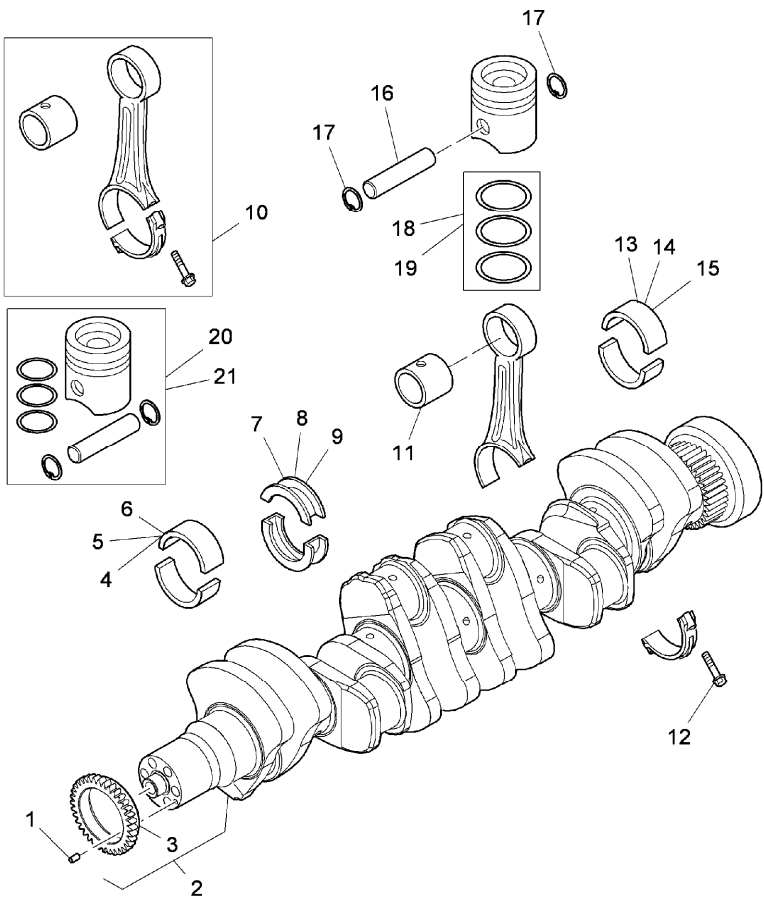
RPE2\00006698.png

A-05  
11



A0511

Crank shaft - connecting rods



1	3688851M1	●	704992A1(1)
2	705157A1	●	705157A2(1)
3	704730A1	!	2
4	3688637M1		
5	3688638M1	✕	-0,250 mm
6	3688639M1	✕	-0,500 mm
7	3688634M1		
8	3688635M1	✕	-0,250 mm
9	3688636M1	✕	-0,500 mm
10	3688624M1		
11	3688675M1	!	10
12	3688623M1	!	10
13	3688880M1		
14	4206388M1	✕	-0,250 mm
15	4206389M1	✕	-0,500 mm
16	3688676M1		
17	3689087M1		
18	3688921M1		
19	3688923M92	✕	+0,400 mm
		●	713981A1(6)
20	6513408M91		
21	6513409M91	✕	+0,400 mm

Inglese

1	Dowel pin
1	Shaft
1	Gear
6	Cuscinet
6	Cuscinet
6	Cuscinet
1	Cuscinet
1	Bearing
1	Cuscinet
6	Conrod
1	Bush
12	Screw
6	Cuscinet
6	Cuscinet
6	Cuscinet
6	Pin
12	Ring
6	Kit
6	Kit
6	Piston
6	Piston

- ! This is a component of an assembly
- ✕ Shim
- Replacement

Engine

X7.6 Tier 4i (2013- ) - RPE2 - X7.680

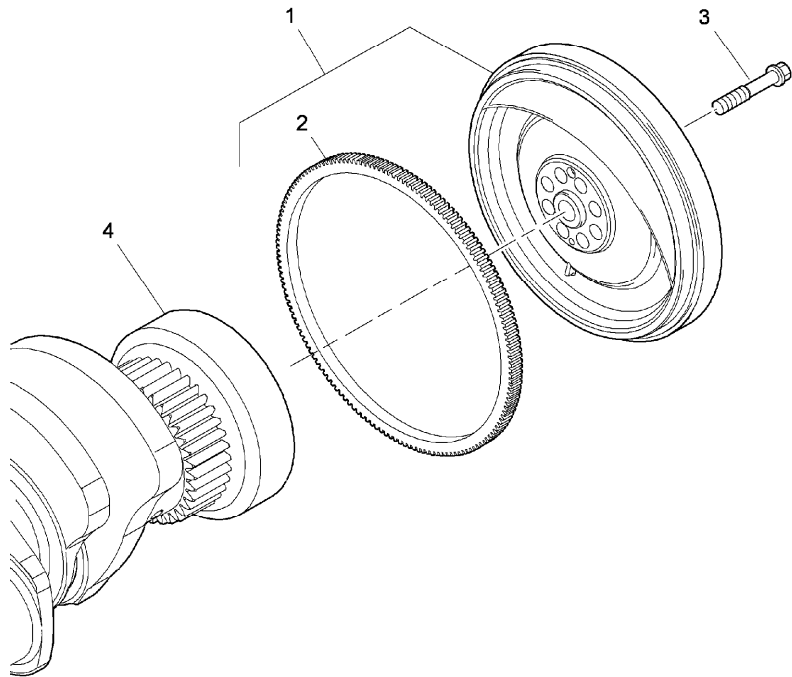
RPE2\00006699.png

A-05  
12



A0512

Engine flywhell - damper



1 705228A1

2 705069A1

3 704752A1

4

!



N.L.S.(1)



A-05 11 2

! This is a component of an assembly

👁 See page - reference number

● Replacement

Inglese

1 Flywheel

1 Crownwheel

8 Screw

1 Shaft

Engine

X7.6 Tier 4i (2013- ) - RPE2 - X7.680

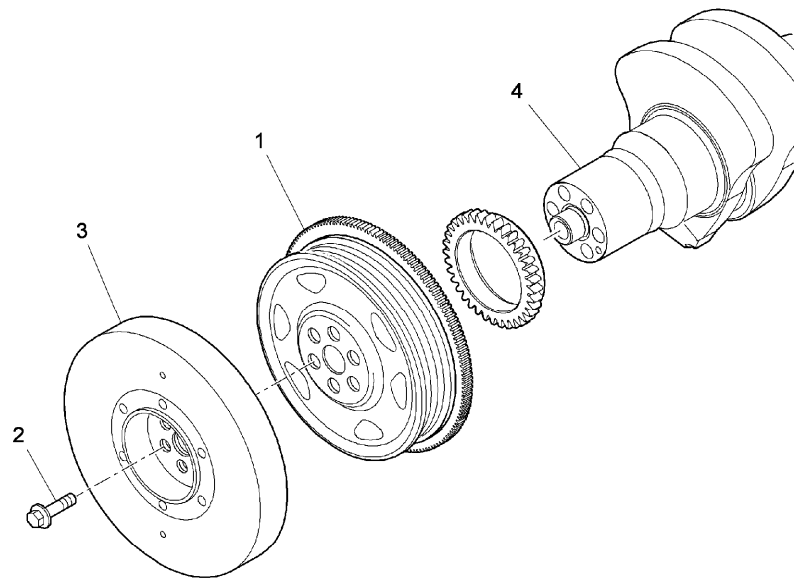
RPE2\00006700.png

A-05  
13



A0513

Vibration damper



- 1 704899A1
  - 2 3688681M1
  - 3 704720A1
  - 4 A-05 11 2
- See page - reference number

Inglese

- 1 Pulley
- 6 Screw
- 1 Kit
- 1 Shaft

Engine

X7.6 Tier 4i (2013- ) - RPE2 - X7.680

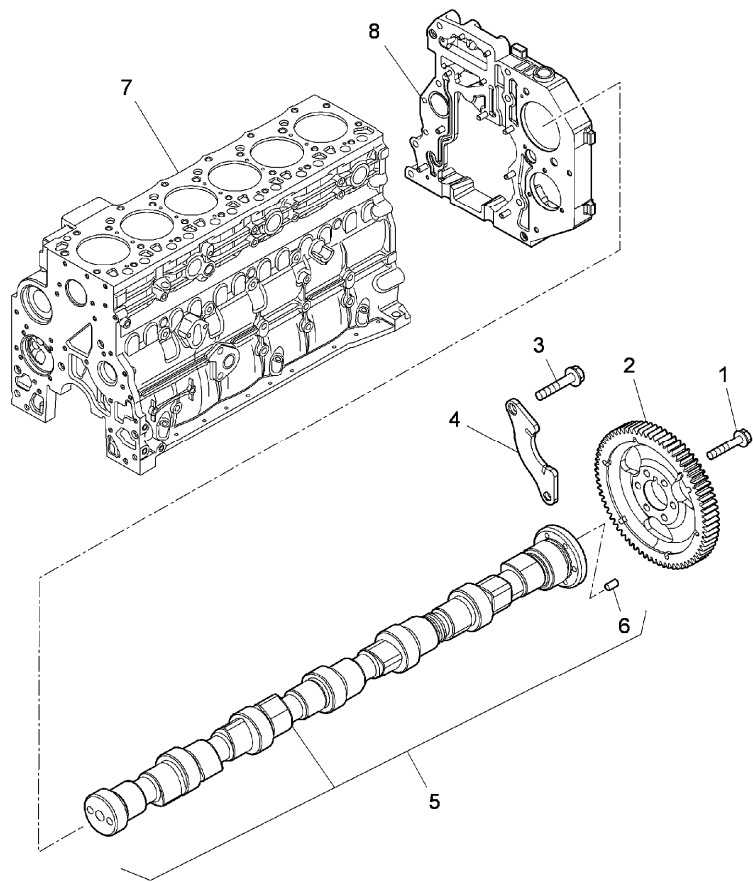
RPE2\00006701.png

A-05  
14



A0514

Timing parts



- 1 3688856M1
- 2 704887A1
- 3 3688854M1
- 4 3688818M1
- 5 6525645M1
- 6 3688857M1
- 7
- 8

- ◄ M8x17 mm
- 704997A1(2)
- 704931A1(1)
- ! 5
- 705005A1(1)
- ◁ A-05 02 9
- ◁ A-05 04 10

Inglese

- 6 Screw
- 1 Pinion
- 2 Screw
- 1 Stirrup
- 1 Shaft
- 1 Screw
- 1 Housing
- 1 Rotor drive

- ! This is a component of an assembly
- ◁ See page - reference number
- ◄ Length
- Replacement

Engine

X7.6 Tier 4i (2013- ) - RPE2 - X7.680

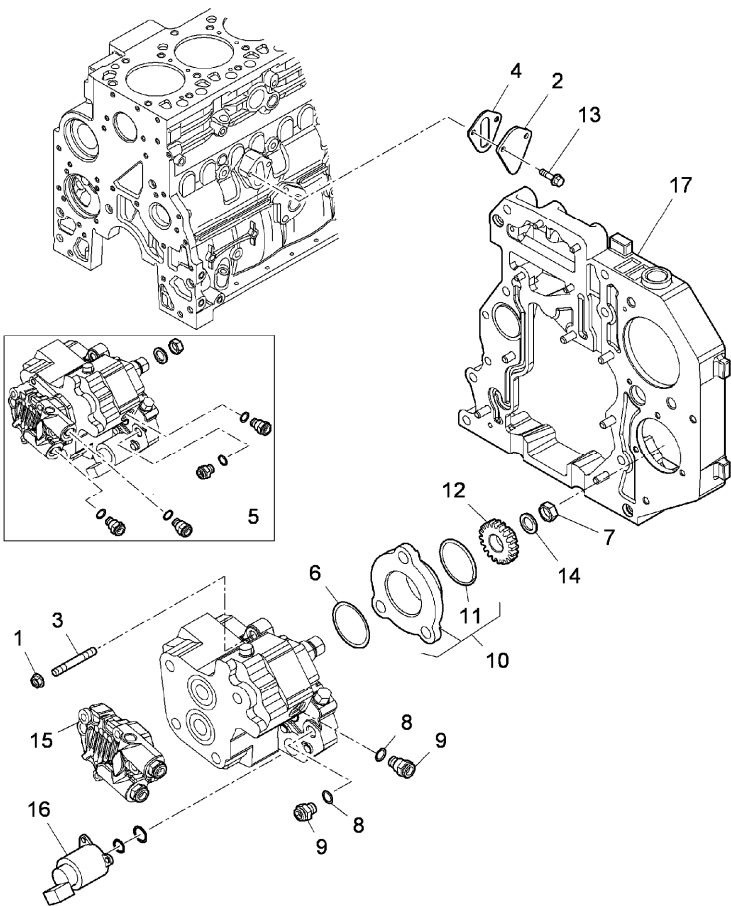
RPE2\00006702.png

A-05  
15



A0515

Fuel injection equipment



- |    |            |   |             |  |  |
|----|------------|---|-------------|--|--|
| 1  | 3688948M1  |   |             |  |  |
| 2  | 3688811M1  | ● | 704911A1(1) |  |  |
| 3  | 704575A1   | ◄ | M8x50 mm    |  |  |
| 4  | 3688642M1  | ● | 704684A1(1) |  |  |
| 5  | 6525646M91 | ➔ | 804621      |  |  |
| 5  | 704975A2   | ➔ | 804622      |  |  |
| 6  | 3689012M1  |   |             |  |  |
| 7  | 3688641M1  | ● | 704682A1(1) |  |  |
| 8  | 3689015M2  |   |             |  |  |
| 9  | 6501374M1  |   |             |  |  |
| 10 | 705116A1   |   |             |  |  |
| 11 | 704591A1   | ! | 10          |  |  |
| 12 | 704731A1   |   |             |  |  |
| 13 | 3688941M1  | ● | 710625A1(2) |  |  |
| 14 | 3688990M1  | ● | 707359A1(1) |  |  |
| 15 |            | ◊ | A-05 17 4   |  |  |
| 16 |            | ◊ | A-05 17 1   |  |  |
| 17 |            | ◊ | A-05 04 10  |  |  |

Inglese

- 3 Nut
- 1 Coperch.
- 3 Stud
- 1 Gasket
- 1 Pump
- 1 Pump
- 1 O ring
- 1 Nut
- 2 Gasket
- 4 Union
- 1 Spacer
- 1 Gasket
- 1 Pinion
- 2 Screw
- 1 Washer
- 1 Pump
- 1 Adjuster
- 1 Rotor drive

- ! This is a component of an assembly
- ➔ From serial or engine number
- ➔ Up to serial or engine number
- ◊ See page - reference number
- ◄ Length
- Replacement

Engine

X7.6 Tier 4i (2013- ) - RPE2 - X7.680

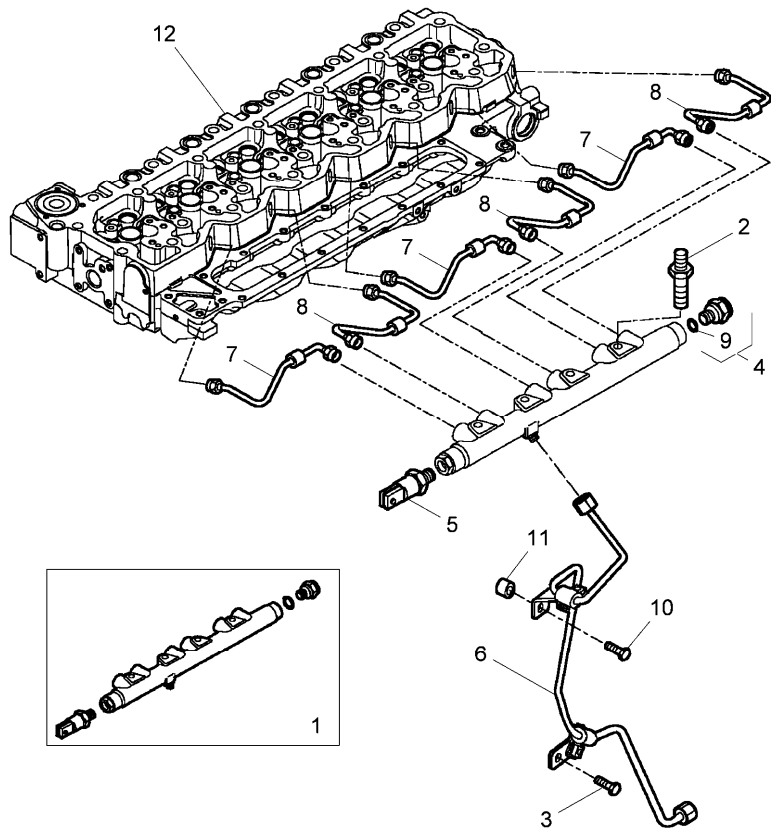
RPE2\00006703.png

A-05  
16



A0516

Accumulator hydraulic



Inglese

- |    |           |   |             |   |             |
|----|-----------|---|-------------|---|-------------|
| 1  | 3689071M2 |   |             | 1 | Accumulator |
| 2  | 3689029M1 | ● | 705148A1(4) | 4 | Screw       |
| 3  | 3688941M1 | ◄ | M8x20 mm    | 1 | Bolt        |
|    |           | ● | 710625A1(1) |   |             |
| 4  | 3689078M2 | ! | 1           | 1 | Valve       |
| 5  | 3689100M2 | ! | 1           | 1 | Sensor      |
| 6  | 4218885M1 |   |             | 1 | Pipe        |
| 7  | 4218886M1 |   |             | 3 | Pipe        |
| 8  | 4218887M1 |   |             | 3 | Pipe        |
| 9  | 4218938M1 | ! | 4           | 1 | Ring        |
| 10 | 704904A1  |   |             | 1 | Screw       |
| 11 | 714693A1  |   |             | 1 | Spacer      |
| 12 |           | ◄ | A-05 07 3   | 1 | Head        |
- ! This is a component of an assembly  
◄ See page - reference number  
◄ Length  
● Replacement

Engine

X7.6 Tier 4i (2013- ) - RPE2 - X7.680

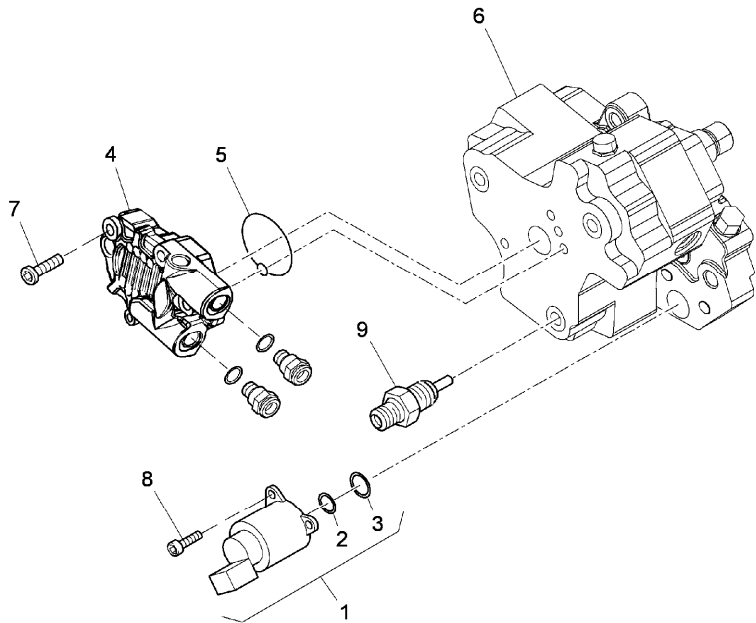
RPE2\00042140.png

**A-05  
17**



A0517

Injection pump (componenti)



		Inglese
1	3689009M1	1 Adjuster
2	3689008M1 ! 1	1 O ring
3	3689007M1 ! 1	1 O ring
4	3689010M1 ● 3689010M2(1)	1 Pump
5	6501370M1	1 Ring
6	⦿ A-05 15 5	1 Pump
7	3689112M1 ● 6525662M1(4)	4 Screw
8	3689128M1 ● 6525661M1(3)	3 Screw
9	3689129M1	1 Valve

- ! This is a component of an assembly
- ⦿ See page - reference number
- Replacement



**Suggest:**

**For more complete manuals. Please go to the home page.**

**<https://www.ebooklibonline.com>**

**If the above button click is invalid. Please download this document first, and then click the above link to download the complete manual.**

**Thank you so much for reading**



Engine

X7.6 Tier 4i (2013- ) - RPE2 - X7.680

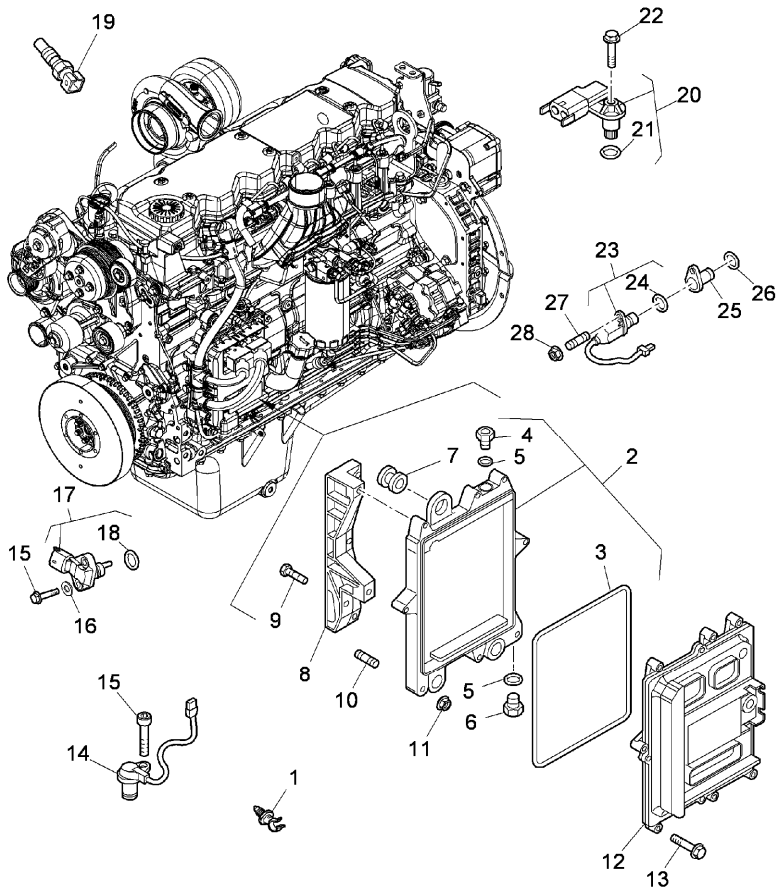
**A-05  
19**



A0519

Electronic control unit

RPE2\00042142.png



		Inglese
1	6513422M1	2
2	6513421M91	1 Support
3	3689053M1 ! 2	1 Gasket
4	704894A1 ! 2	1 Coupler
5	3689015M2 ! 2	2 Gasket
6	3688650M1 ! 2	1 Union
7	3689019M1 ! 2	3 Spacer
8	704945A1	1 Stirrup
9	6525648M1	3 Screw
10	714709A1	1 Stud
11	714711A1	1 Nut
12	6525649M1 ● N.L.S.(1)	1 Electronic unit control
13	3688931M1 ◀ M6x30 mm	8 Screw
13	705003A1	3 Screw
14	704677A1 A	1 Sensor
15	3688866M1 ● 705021A1(3)	3 Screw
16	705023A1	2 Washer
17	3688640M1 ● 3688640M2(1)	1 Sensor
	B	
	E	
18	3688797M1 ! 17	1 O ring
19	3688813M1 C	1 Sender
20	6513418M91 D	1 Sensor
	F	

**<https://www.ebooklibonline.com>**

Hello dear friend!

Thank you very much for reading.

Enter the link into your browser.

The full manual is available for immediate download.

**<https://www.ebooklibonline.com>**