

Engine

X7.4 Tier 4i (2013-) - RPD2 - X7.440

RPD2\00044743.png

A-05
01



A0501

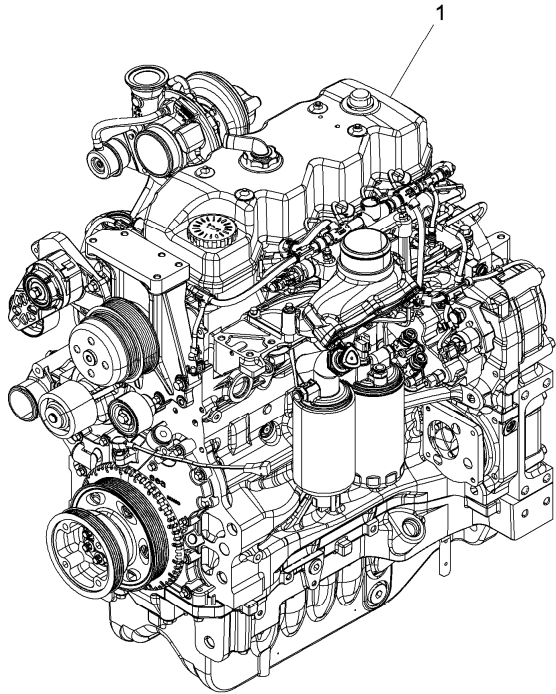
Engine assembly

Inglese

- | | | | | |
|---|------------|------------------|---|--------|
| 1 | 6513655M91 | "fpt nef" 110 kw | 1 | Engine |
| 1 | 6528400M91 | "fpt nef" 110 kw | 1 | Engine |

A

A Pre-built



Engine

A-05
015

Short engine

X7.4 Tier 4i (2013-) - RPD2 - X7.440



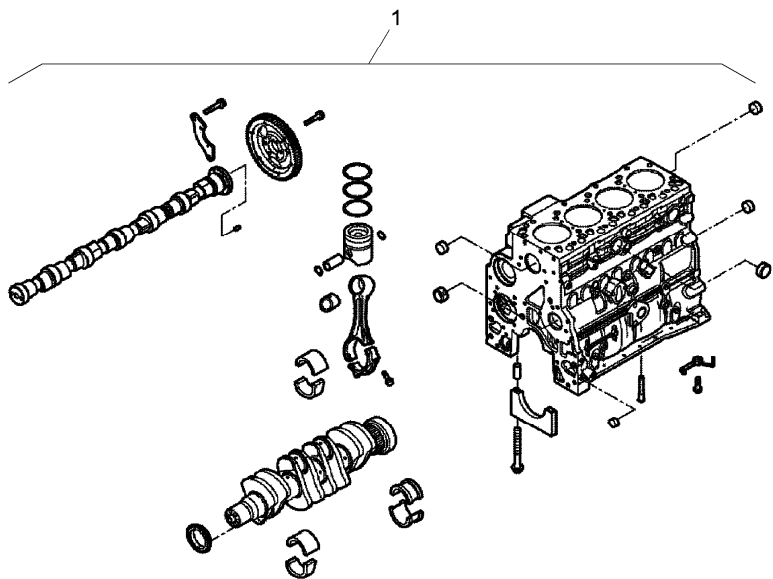
A05015

RPD2\00045403.png

Inglese

1 6528827M91

1 Short engine



Engine

X7.4 Tier 4i (2013-) - RPD2 - X7.440

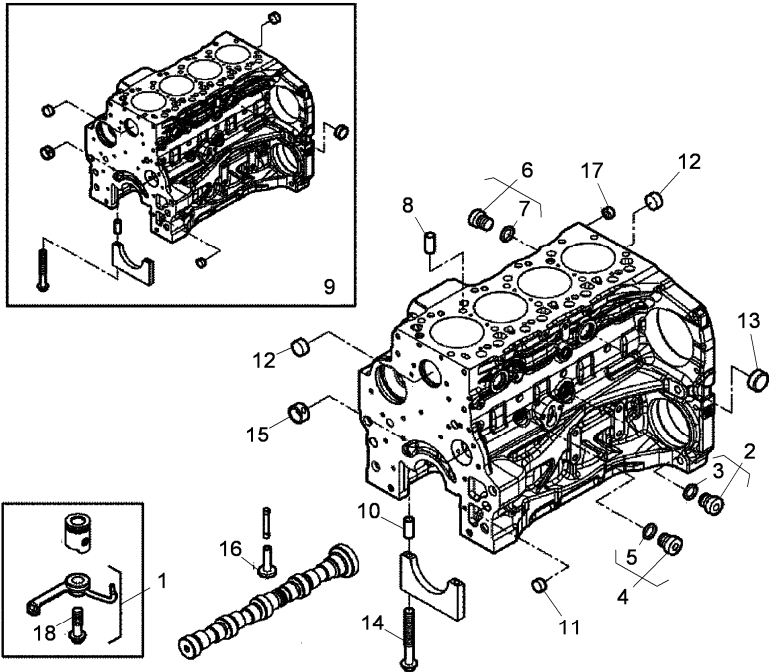
RPD2\00045404.png

A-05
02



A0502

Crankcase



		Inglese
1	3689030M1	4 Splasher
2	3689350M1 ●	1 Plug
3	3688868M1 ! 2	1 Ring
4	3688822M1 ●	2 Plug
5	3688855M1 ! 4	1 Ring
6	3688780M1 ●	1 Plug
7	3688781M1 ! 6	1 Ring
	● 707405A1(1)	
8	3688760M1	2 Screw
9	6528772M91	1 Base
10	3688824M1 ●	10 Screw
11	3688758M1	2 Plug
12	3688757M1	4 Plug
13	3688775M1	2 Plug
14	3688673M1 ◄ M12x120	10 Screw
	● 704696A1(10)	
15	3688759M1	1 Bearing
16	3688877M1	8 Plate
17	3688628M1	1 Splasher
18	6528835M1 ! 1	1 Filler
!	This is a component of an assembly	
◄	Length	
●	Replacement	

<https://www.ebooklibonline.com>

Hello dear friend!

Thank you very much for reading.

Enter the link into your browser.

The full manual is available for immediate download.

<https://www.ebooklibonline.com>

Engine

X7.4 Tier 4i (2013-) - RPD2 - X7.440

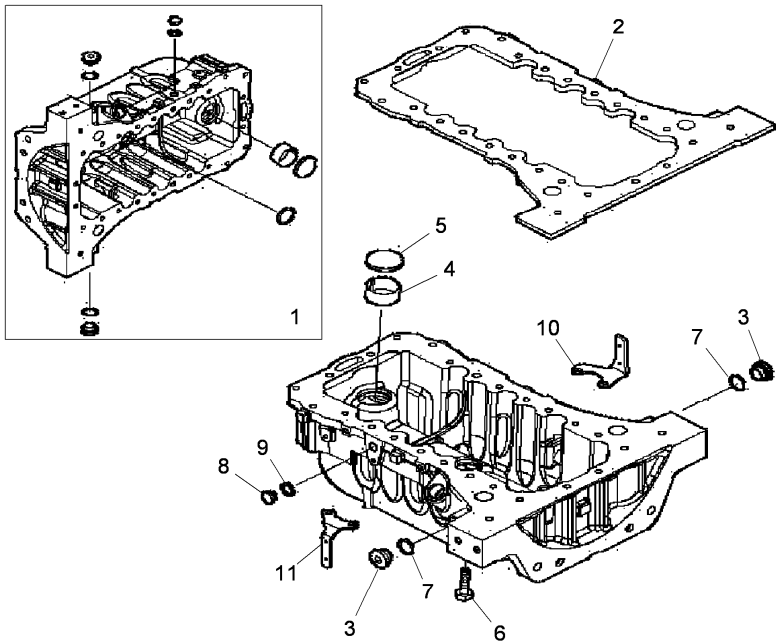
RPD2\00045405.png

A-05
03



A0503

Oil sump



- 1 6528843M91
- 2 6528778M1
- 3 3688691M1
- 4 3688803M1
- 5 3688804M1
- 6 3688678M1
- 6 3688679M1
- 6 3688778M1
- 6 4208118M1
- 7 3688997M1
- 8 4208121M1
- 9 6528826M1
- 10 4208119M1
- 11 4208120M1

- ◆◆ M10x190
- ◆◆ M10x90

◆◆ Length

Inglese

- 1 Pan
- 1 Gasket
- 2 Plug
- 1 Filter
- 1 Plug
- 2 Screw
- 18 Screw
- 2 Screw
- 4 Screw
- 2 Ring
- 1 Plug
- 1 Gasket
- 1 Stirrup
- 1 Stirrup

Engine

X7.4 Tier 4i (2013-) - RPD2 - X7.440

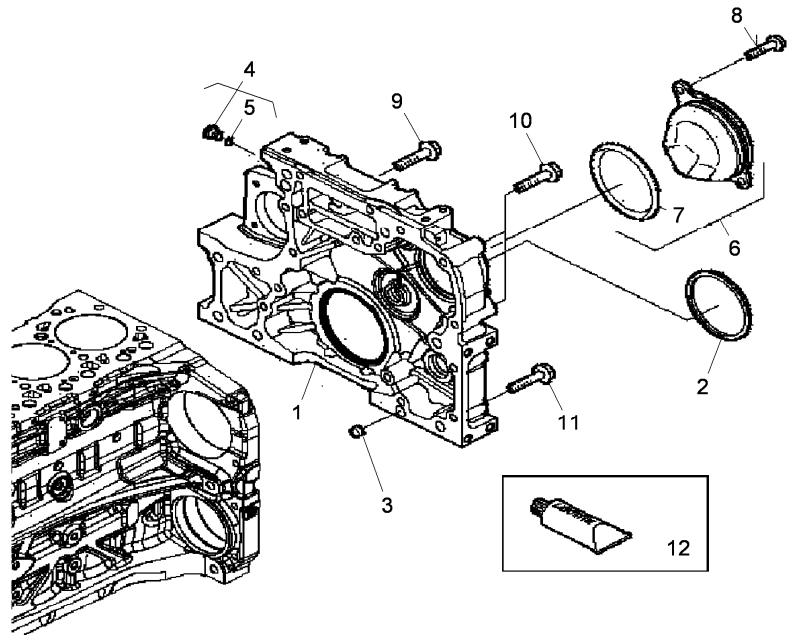
RPD2\00045406.png

A-05
04



A0504

Crankcase covers



- | | | Inglese |
|----|-----------------------------|--------------|
| 1 | 4206380M1 | 1 Coperch. |
| 2 | 6525730M1 ● 6514306M1(1) | 1 Ring |
| 3 | 3688753M1 | 2 Screw |
| 4 | 3688780M1 ● 704848A1(1) | 1 Plug |
| 5 | 3688781M1 ! 4 ● 707405A1(1) | 1 Ring |
| 6 | 4206381M1 | 1 Coperch. |
| 7 | 3689092M1 ! 6 | 1 Ring |
| 8 | 3688799M1 | 2 Screw |
| 9 | 3688671M1 | 15 Screw |
| 10 | 3688869M1 | 2 Screw |
| 11 | 3688874M1 | 1 Screw |
| 12 | 3688632M1 ● 3688632M2(999) | 999 Adhesive |

! This is a component of an assembly
● Replacement

Engine

X7.4 Tier 4i (2013-) - RPD2 - X7.440

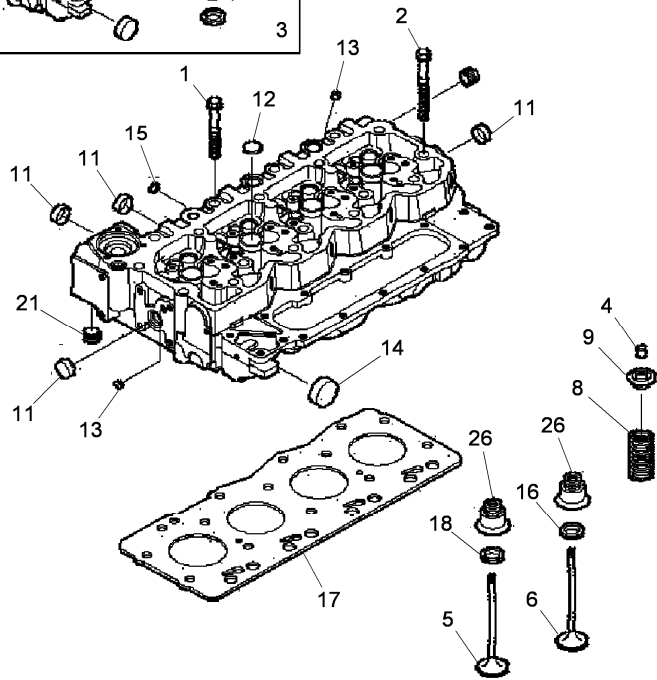
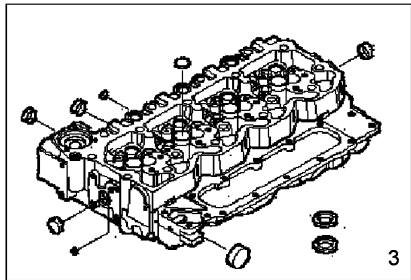
RPD2\00045407.png

A-05
05



A0505

Head cylinder



- 1 3688651M1 ◀▶ M12x130
- 2 3688652M1 ◀▶ M12x150
- 3 6528776M1
- 4 3688858M1
- 5 3688761M1
- 6 3688762M1
- 8 6513397M1
- 9 3688766M1
- 11 3688768M1
- 12 3688769M1
- 13 3688782M1
- 14 3688794M1
- 15 3688795M1
- 16 704941A1
- 17 6528771M1
- 18 704914A1
- 21 3688683M1
- 26 3688622M1
- ◀▶ Length

Inglese

- 8 Screw
- 10 Screw
- 1 Head
- 32 Cone
- 8 Valve
- 8 Valve
- 16 Spring
- 16 Cup
- 9 Plug
- 7 Plug
- 5 Plug
- 1 Plug
- 2 Plug
- 8 Shim
- 1 Gasket
- 8 Valve seat
- 2 Plug
- 16 Cap

Engine

X7.4 Tier 4i (2013-) - RPD2 - X7.440

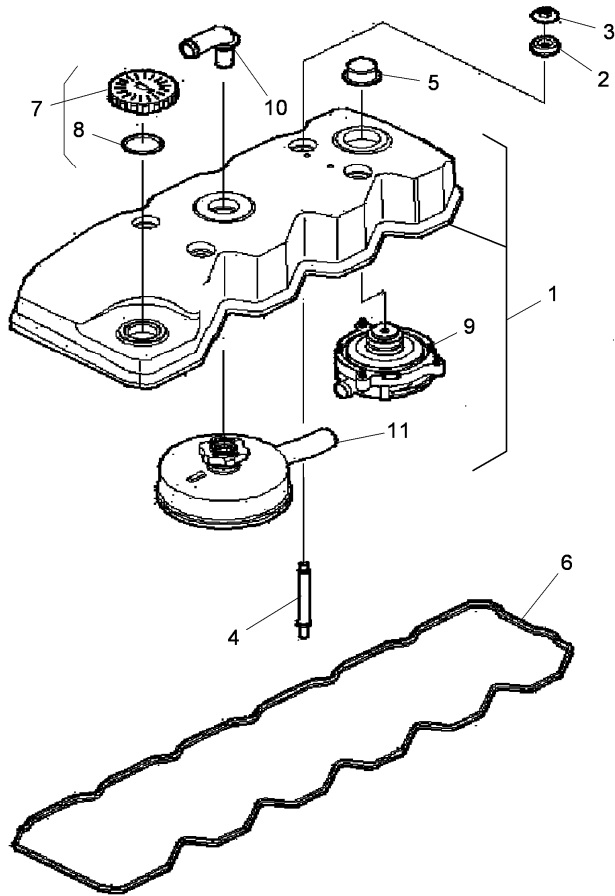
RPD2\00045408.png

A-05
06



A0506

Cylinder head cover



- | | | | | | |
|----|------------|---|--------------|---|----------|
| 1 | 6528806M1 | ● | 6531119M1(1) | 1 | Coperch. |
| 2 | 3689040M1 | | | 4 | Spacer |
| 3 | 3689057M1 | | | 4 | Nut |
| 4 | 4206386M1 | | | 4 | Screw |
| 5 | 6528809M1 | | | 1 | Cap |
| 6 | 6528794M1 | | | 1 | Gasket |
| 7 | 6513399M91 | | | 1 | Plug |
| 8 | 3689016M1 | | | 1 | Gasket |
| 9 | 6528819M1 | ! | 1 | 1 | Valve |
| 10 | 4206385M1 | ! | 1 | 1 | Union |
| 11 | 4206384M1 | ! | 1 | 1 | Breather |

! This is a component of an assembly
 ● Replacement

Inglese

Engine

X7.4 Tier 4i (2013-) - RPD2 - X7.440

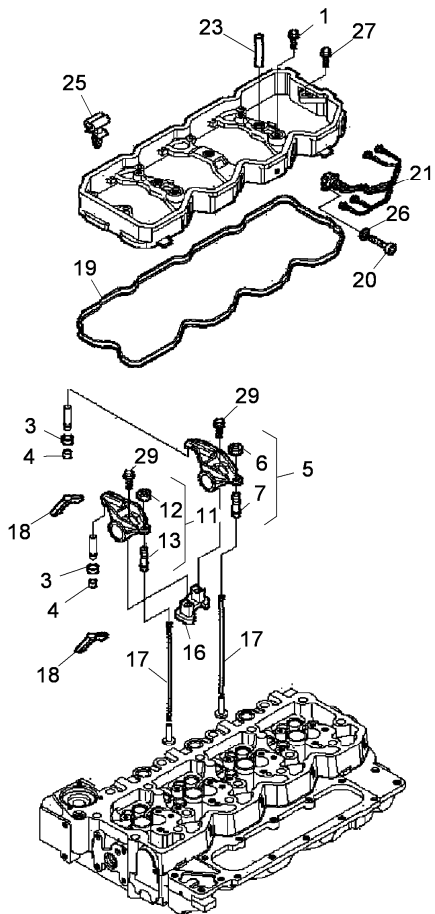
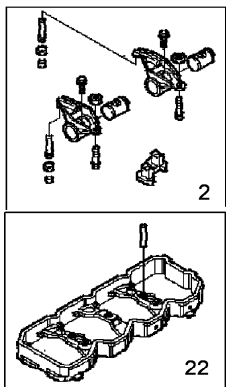
A-05
07



A0507

Rocker shaft

RPD2\00045409.png



		Inglese	
1	3688796M1	●	704858A1(3)
2	6503095M2		
3	6513400M1		3 Screw
4	6513401M1		4 Shaft
5	6513402M91		8 Cup
6	6513403M1	!	5
7	6513404M1	!	5
11	6513405M91		4 Rocker
12	6513403M1	!	11
13	6513404M1	!	11
16	6513406M1		2 Nut
17	3688756M1		2 Screw
18	3689067M1		4 Rocker
19	6528795M1		2 Nut
20	6528765M1	◄	5
21	6525644M1		2 Screw
22	6528786M1		2 Cable
23	3688871M1	●	1 Spacer
25	3689037M1	●	705039A1(3)
26	3688950M1	●	705197A1(4)
27	3688863M1	●	707347A1(2)
28	6525644M1		705011A1(2)
29	3688609M1	●	704622A1(8)
!	This is a component of an assembly		
◄	Length		

Engine

X7.4 Tier 4i (2013-) - RPD2 - X7.440

RPD2\00045409.png

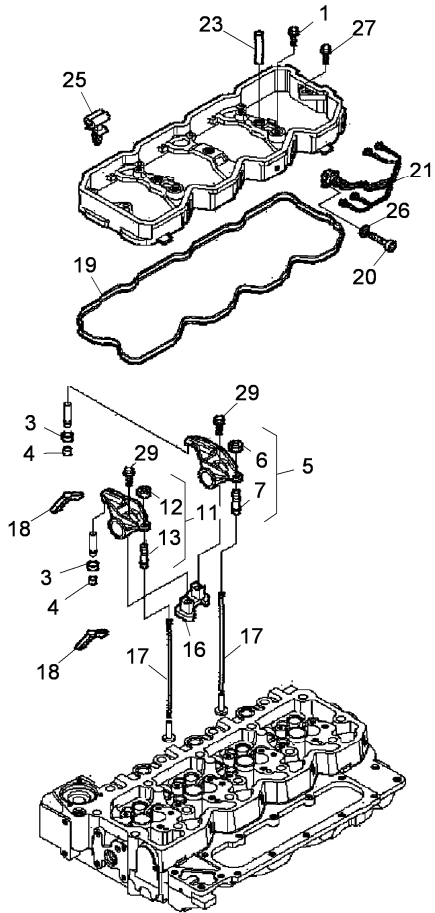
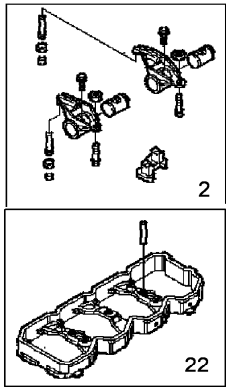
A-05
07



A0507

Rocker shaft

● Replacement



Engine

X7.4 Tier 4i (2013-) - RPD2 - X7.440

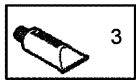
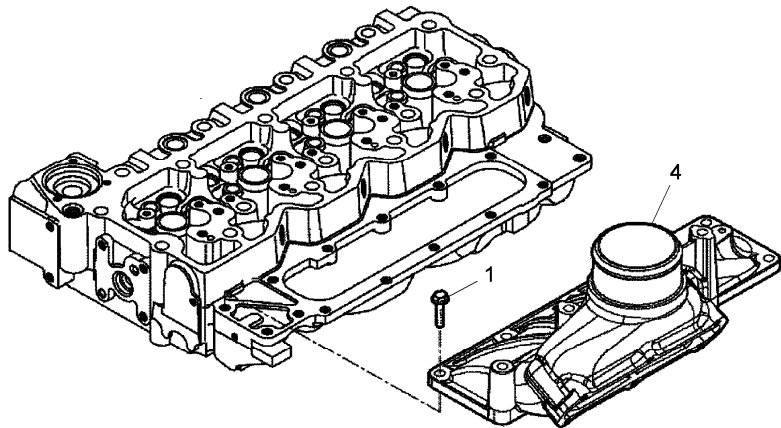
RPD2\00045410.png

A-05
08



A0508

Induction manifold



- 1 3688796M1 ● 704858A1(1)
- 1 3688850M1
- 3 6500933M1
- 7 6528804M1
- Replacement

Inglese

- 1 Screw
- 6 Screw
- 999 Loctite
- 1 Duct

Engine

X7.4 Tier 4i (2013-) - RPD2 - X7.440

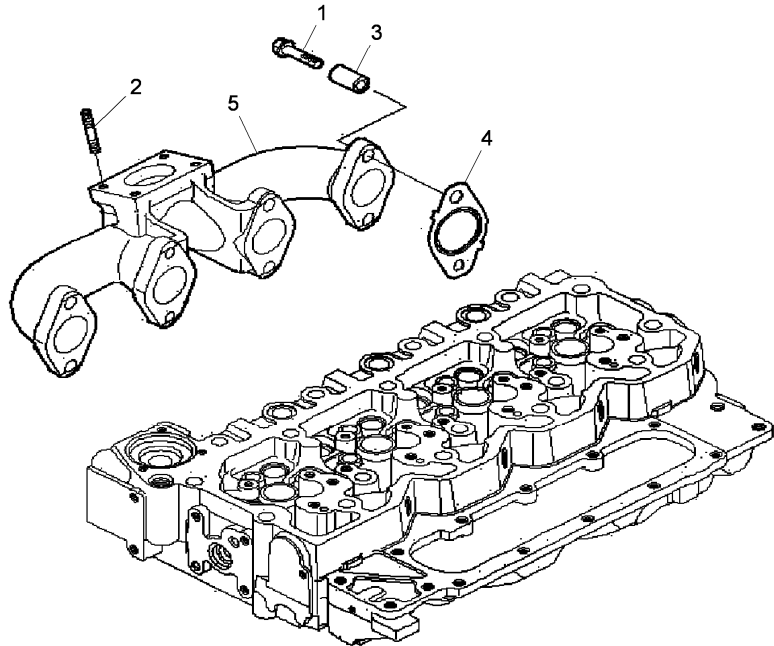
RPD2\00045413.png

A-05
09



A0509

Exhaust manifold



- 1 3688774M2
- 2 6528848M1
- 3 6528780M1
- 4 3689062M1
- 5 6528833M1

Inglese

- 8 Screw
- 4 Screw
- 8 Spacer
- 4 Gasket
- 1 Manifold

Engine

X7.4 Tier 4i (2013-) - RPD2 - X7.440

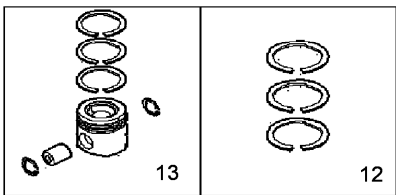
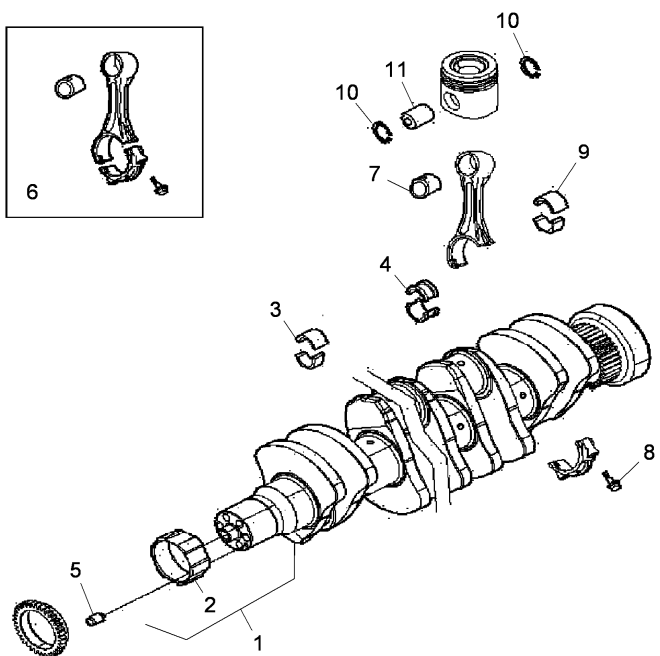
RPD2\00045414.png

A-05
10



A0510

Crank shaft - connecting rods



- 1 6528815M1
- 2 4206387M1
- 3 3688637M1
- 3 3688638M1 ❏ -0,250 mm
- 3 3688639M1 ❏ -0,500 mm
- 4 3688634M1
- 4 3688635M1 ❏ -0,250 mm
- 4 3688636M1 ❏ -0,500 mm
- 5 3688851M1 ● 704992A1(1)
- 6 3688624M1
- 7 3688675M1 ! 6
- 8 3688623M1 ! 10
- 9 3688880M1
- 9 4206388M1 ❏ -0,250 mm
- 9 4206389M1 ❏ -0,500 mm
- 10 3689087M1
- 11 3688676M1
- 12 3688921M1
- 12 3688923M92 ❏ +0,400 mm
- 713981A1(4)
- 13 4208130M1
- 13 6513409M91 ❏ +0,400 mm

Inglese

- 1 Shaft
- 1 Bush
- 4 Cuscinet
- 4 Cuscinet
- 4 Cuscinet
- 1 Cuscinet
- 1 Bearing
- 1 Cuscinet
- 1 Screw
- 4 Conrod
- 1 Bush
- 8 Screw
- 4 Cuscinet
- 4 Cuscinet
- 4 Cuscinet
- 8 Ring
- 4 Pin
- 4 Kit
- 4 Kit
- 4 Piston
- 4 Piston

- ! This is a component of an assembly
- ❏ Shim
- Replacement

Engine

X7.4 Tier 4i (2013-) - RPD2 - X7.440

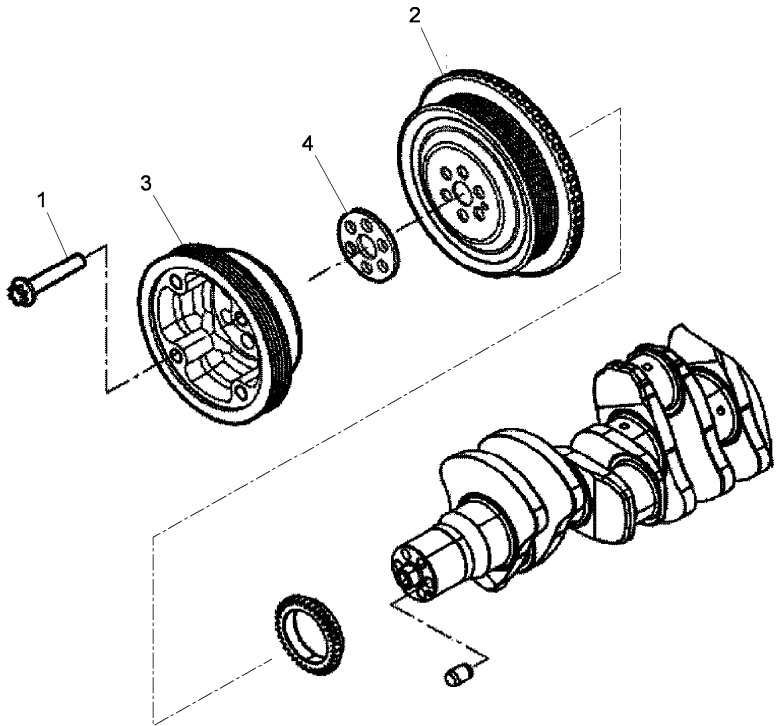
RPD2\00045415.png

A-05
11



A0511

Vibration damper



1 3688681M1

2 6528777M1

3 6528802M1 ● 6622016M1(1)

4 4208158M1

● Replacement

Inglese

6 Screw

1 Pulley

1 Pulley

1 Spacer

Engine

X7.4 Tier 4i (2013-) - RPD2 - X7.440

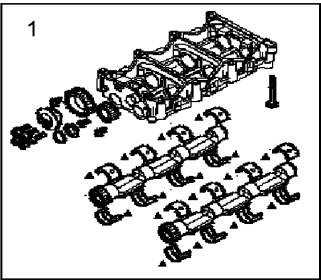
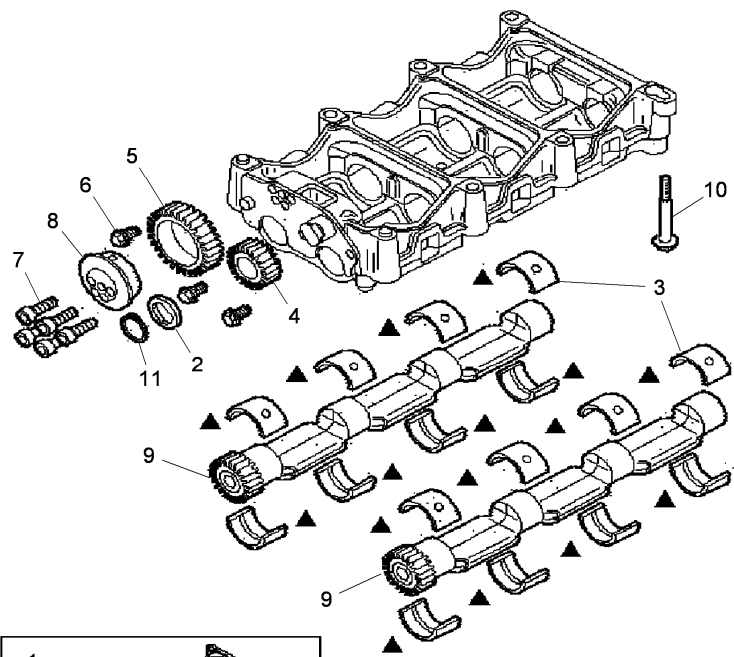
A-05
12



A0512

Additional masses

RPD2\00045416.png



- 1 6528805M1
- 2 6528783M1
- 3 6528844M1
- 4 6528782M1
- 5 6528781M1
- 6 3688799M1
- 7 6528769M1
- 8 6528775M1
- 9 6528801M1
- 10 6528784M1
- 10 705020A1
- 11 6528766M1

Inglese

- 1 Support
- 1 Lock washer
- 1 Bush
- 1 Gear
- 1 Gear
- 3 Screw
- 5 Screw
- 1 Shaft
- 2 Shaft
- 1 Screw
- 7 Screw
- 1 Shackle

Engine

X7.4 Tier 4i (2013-) - RPD2 - X7.440

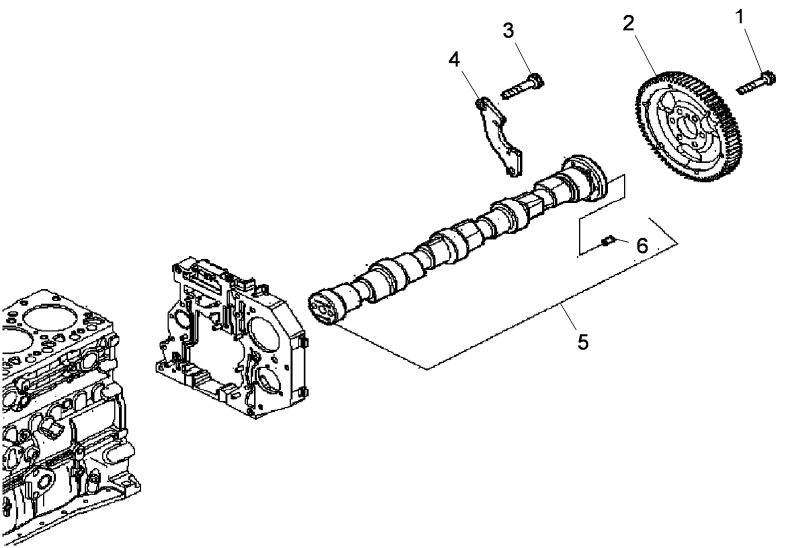
RPD2\00045417.png

A-05
13



A0513

Timing parts



- | | | | | | |
|---|-----------|----|-------------|---|---------|
| 1 | 3688856M1 | | | 6 | Screw |
| 2 | 6528770M1 | | | 1 | Gear |
| 3 | 3688854M1 | ◄► | M8x17 | 2 | Screw |
| | | ● | 704997A1(2) | | |
| 4 | 3688818M1 | ● | 704931A1(1) | 1 | Stirrup |
| 5 | 6528813M1 | | | 1 | Shaft |
| 6 | 3688857M1 | ● | 705005A1(1) | 1 | Screw |
- ◄► Length
● Replacement

Inglese

Engine

X7.4 Tier 4i (2013-) - RPD2 - X7.440

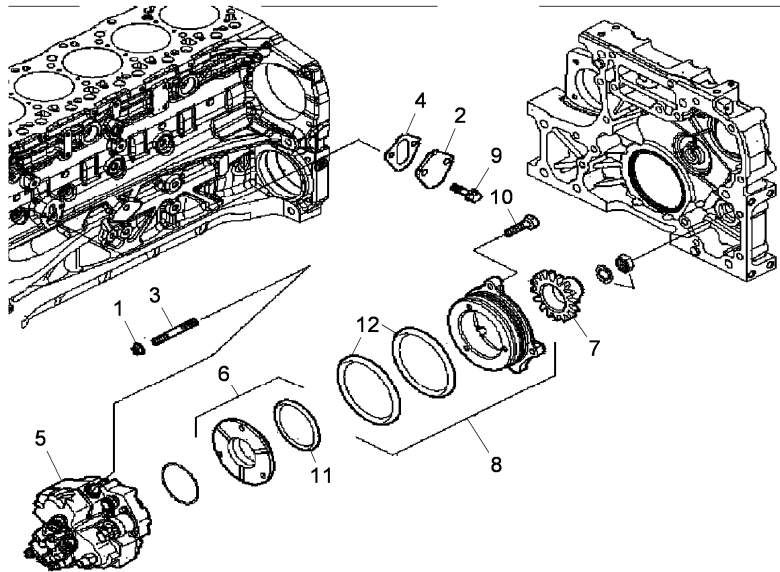
RPD2\00045418.png

A-05
14



A0514

Fuel injection equipment



- | | | |
|----|------------|---------------|
| 1 | 3688948M1 | |
| 2 | 3688811M1 | ● 704911A1(1) |
| 3 | 3688680M1 | |
| 4 | 3688642M1 | ● 704684A1(1) |
| 5 | 6513428M91 | ● 704975A2(1) |
| 6 | 3688613M1 | |
| 7 | 3688805M1 | |
| 8 | 3688614M1 | |
| 9 | 3688941M1 | ● 710625A1(2) |
| 10 | 3688853M1 | ◄ M8x30 |
| 11 | 3688998M1 | 72,63x3,53 |
| 12 | 3689000M1 | 120,24x3,53 |

- ◄ Length
● Replacement

Inglese

- | | |
|---|----------|
| 3 | Nut |
| 1 | Coperch. |
| 3 | Screw |
| 1 | Gasket |
| 1 | Pump |
| 1 | Spacer |
| 1 | Gear |
| 1 | Spacer |
| 2 | Screw |
| 3 | Screw |
| 1 | Ring |
| 2 | Ring |

Engine

X7.4 Tier 4i (2013-) - RPD2 - X7.440

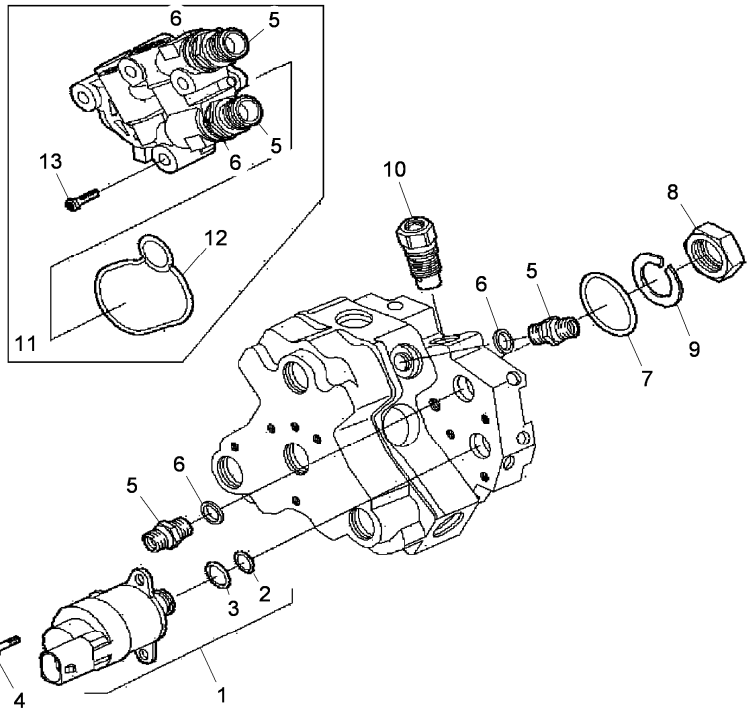
RPD2\00045419.png

A-05
15



A0515

Injection pump (componenti)



			Inglese
1	3689009M1		1 Adjuster
2	3689007M1	! 1	1 Ring
3	3689008M1	! 1	1 Ring
4	6525661M1		3 Screw
5	6501374M1		4 Union
6	3689015M2		4 Gasket
7	3689012M1		1 Ring
8	3688641M1	● 704682A1(1)	1 Nut
9	3688990M1	● 707359A1(1)	1 Washer
10	6525663M1		1 Valve
11	3689010M2		1 Pump
12	6501370M1	! 11	1 Ring
13	6525662M1	! 11	4 Screw

! This is a component of an assembly
 ● Replacement

Engine

X7.4 Tier 4i (2013-) - RPD2 - X7.440

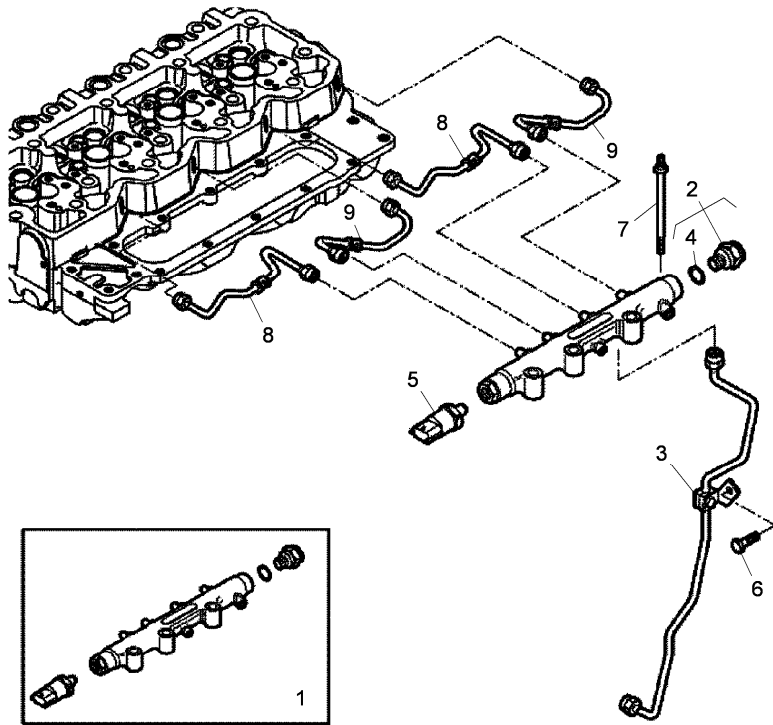
RPD2\00045420.png

A-05
16



A0516

Accumulator hydraulic



- 1 6528814M1
 - 2 3689078M2 ! 1
 - 3 6528811M1
 - 4 4218938M1 ! 1
 - 5 3689100M2 ! 1
 - 6 3688941M1 ● 710625A1(1)
 - 7 3689029M1 ● 705148A1(3)
 - 8 6528812M1
 - 9 4218887M1
- ! This is a component of an assembly
 ● Replacement

Inglese

- 1 Accumulator
- 1 Valve
- 1 Pipe
- 1 Ring
- 1 Sensor
- 1 Screw
- 3 Screw
- 2 Pipe
- 2 Pipe

Engine

X7.4 Tier 4i (2013-) - RPD2 - X7.440

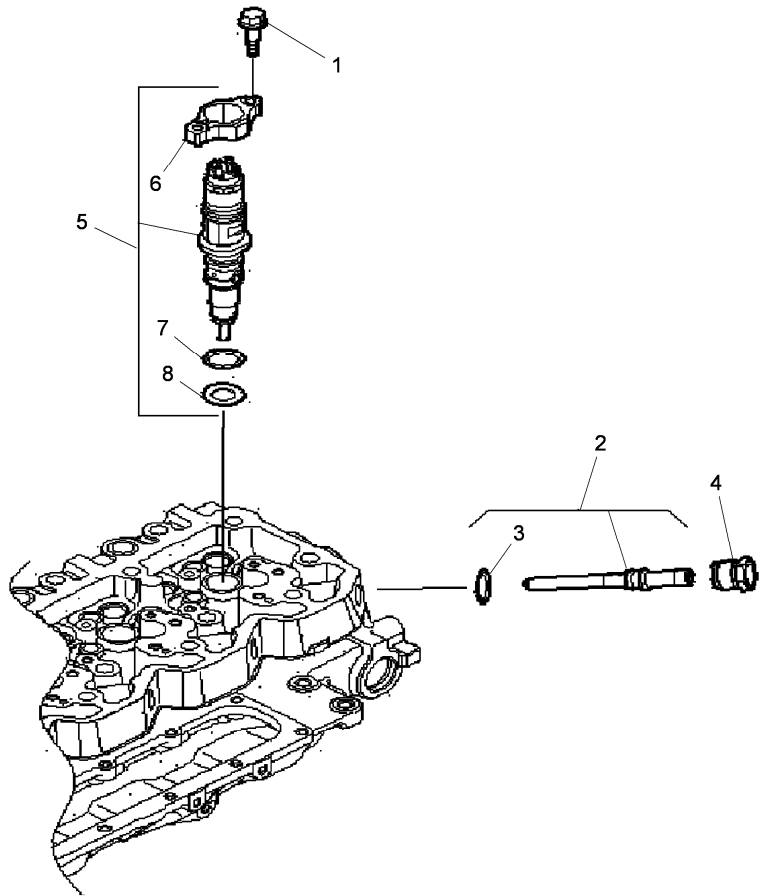
RPD2\00045421.png

A-05
17



A0517

Nozzles



- 1 3688798M1
- 2 3689089M1
- 3 3688649M1 ! 2
- 4 3688688M1
- 5 3689103M1
- 6 3689084M1 ! 5
- 7 3688648M1 ! 5
- 8 3688876M1 ! 5

Inglese

- 8 Screw
- 4 Pipe
- 1 Ring
- 4 Nut
- 4 Nozzle
- 1 Stirrup
- 1 Ring
- 1 Washer,locking

! This is a component of an assembly

Engine

X7.4 Tier 4i (2013-) - RPD2 - X7.440

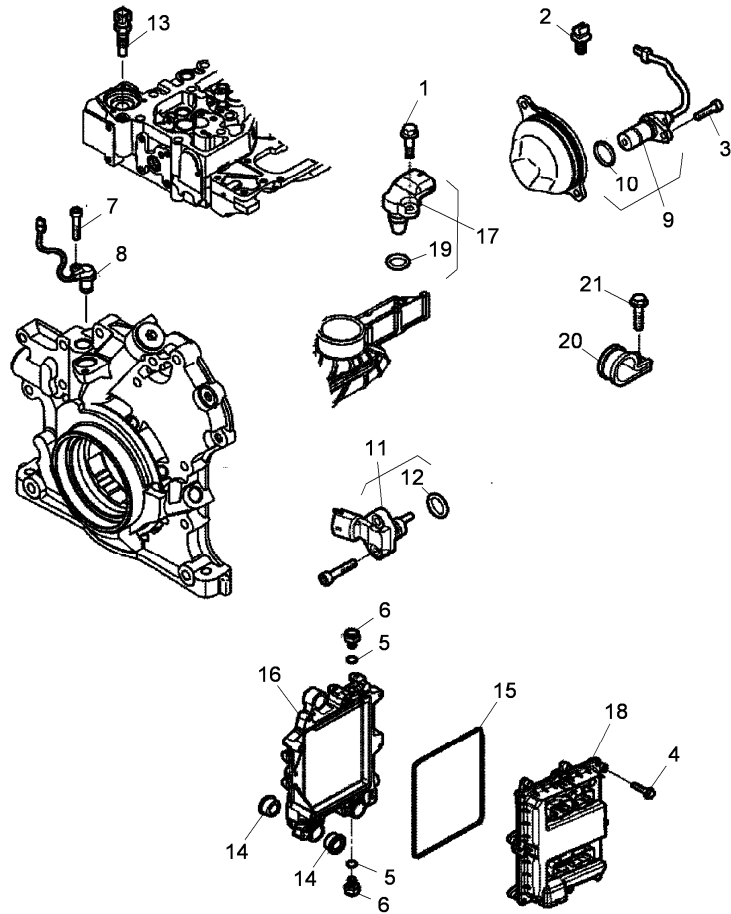
RPD2\00045422.png

**A-05
18**



A0518

Electronic control unit



		Inglese
1	3688801M1	▶ M6x20 1 Screw
2	6513422M1	2
3	4206391M1	1 Screw
4	3688931M1	▶ M6x30 8 Screw
5	4206399M1	2 Ring
6	3688650M1	2 Union
7	3688866M1	● 705021A1(3) 3 Screw
8	3689028M1	1 Sensor
9	3688814M1	1 Sensor
10	3688993M1	! 9 1 Ring
		17,17x1,78
11	3688640M2	A 1 Cutout
		B
12	3688797M1	! 11 1 Ring
		13,94x2,62
13	3688813M1	C 1 Sensor
14	3689019M1	6 Spacer
15	3689053M1	1 Gasket
16	3689086M1	1 Support
17	6513418M91	D 1 Sensor
		E
18	3688920M1	● N.L.S.(1) 1 Centralizer
19	4206392M1	! 17 1 Ring
20	3689002M1	● 704595A1(2) 2 Collar
21	3688932M1	2 Screw



Suggest:

For more complete manuals. Please go to the home page.

<https://www.ebooklibonline.com>

If the above button click is invalid. Please download this document first, and then click the above link to download the complete manual.

Thank you so much for reading

Engine

X7.4 Tier 4i (2013-) - RPD2 - X7.440

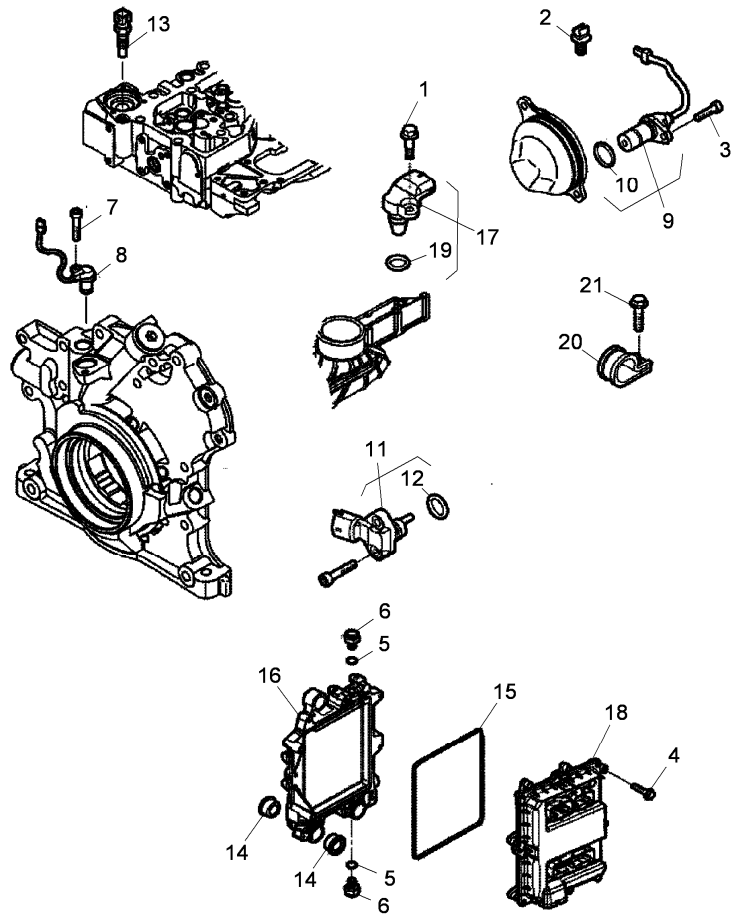
RPD2\00045422.png

A-05
18



A0518

Electronic control unit



- ! This is a component of an assembly
- ◄ Length
- Replacement
- A Oil pressure
- B Oil temperature
- C Water temperature
- D Air pressure
- E Air temperature

Engine

X7.4 Tier 4i (2013-) - RPD2 - X7.440

RPD2\00045423.png

A-05
19



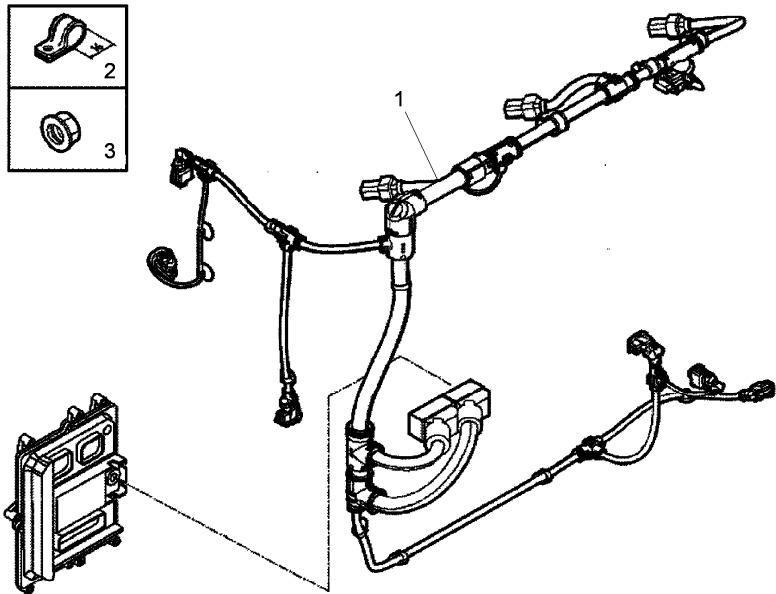
A0519

Engine wiring

- 1 6528830M1
- 2 714944A1
- 3 6528767M1

Inglese

- 1 Wiring harness
- 2 Screw
- 2 Nut



<https://www.ebooklibonline.com>

Hello dear friend!

Thank you very much for reading.

Enter the link into your browser.

The full manual is available for immediate download.

<https://www.ebooklibonline.com>