

Engine

X6.4 Tier 4 (2014- ) - RP66 - X6.420

RP66\00044743.png

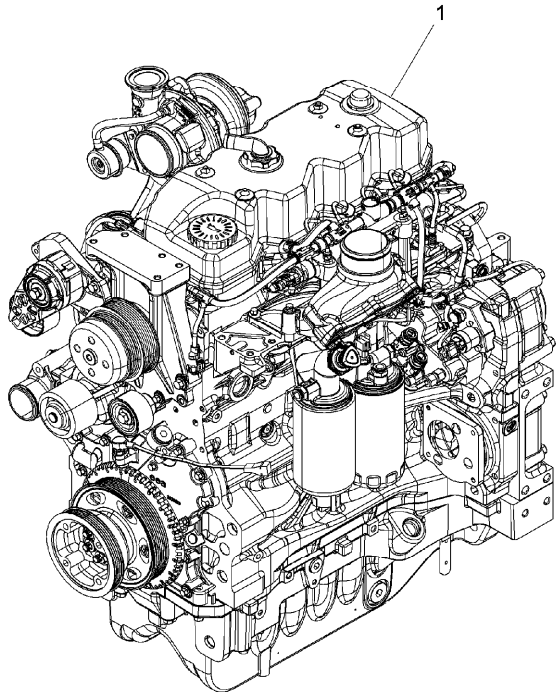
A-05  
01



A0501

Engine assembly

		Inglese
1	6513650M91	"fpt nef" - 81 kw
1	6528308M91	"fpt nef" - 81 kw
A	Pre-built	A



Engine

X6.4 Tier 4 (2014- ) - RP66 - X6.420

RP66\00045403.png

A-05  
015

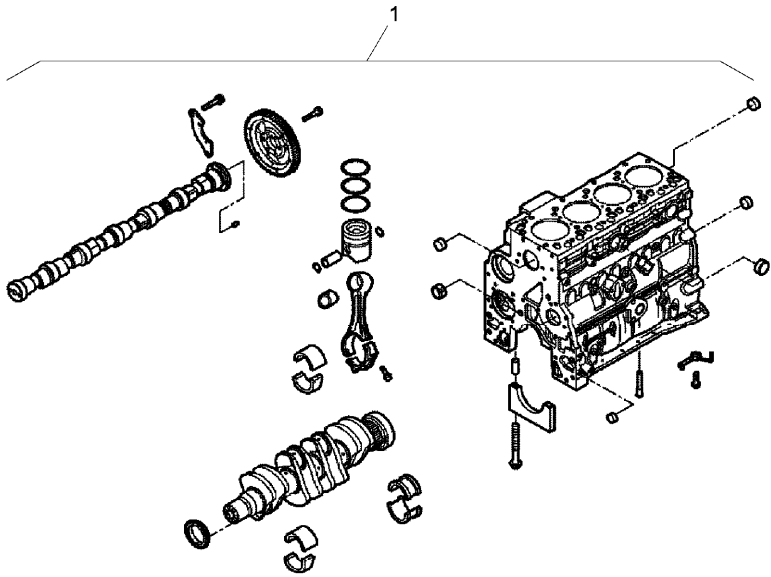


A05015

Short engine

1 6528827M91

Inglese  
1 Short engine



Engine

X6.4 Tier 4 (2014- ) - RP66 - X6.420

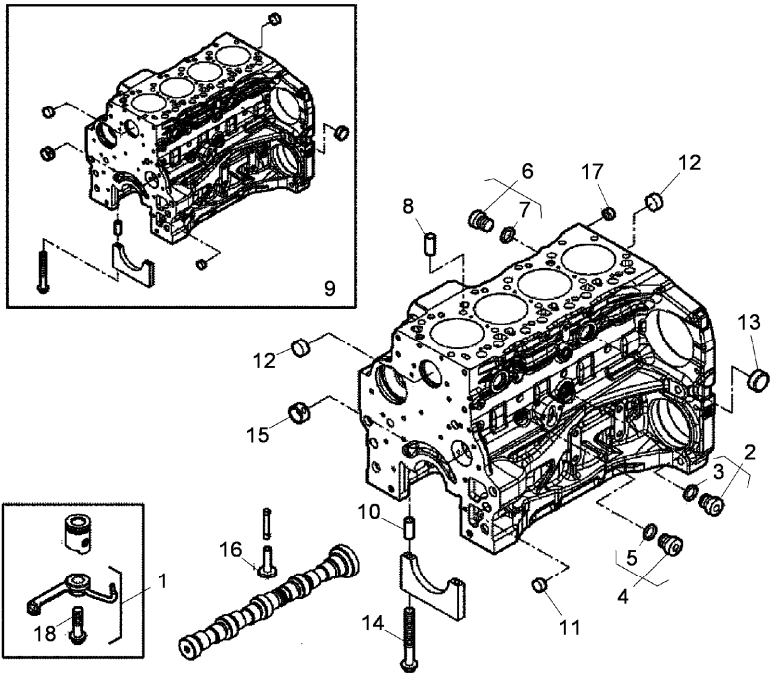
RP66\00045404.png

A-05  
02



A0502

Crankcase



		Inglese
1	3689030M1	4 Splasher
2	3689350M1 ●	1 Plug
3	3688868M1 ! 2	1 Ring
4	3688822M1 ●	2 Plug
5	3688855M1 ! 4	1 Ring
6	3688780M1 ●	1 Plug
7	3688781M1 ! 6	1 Ring
	● 707405A1(1)	
8	3688760M1	2 Screw
9	6528772M91	1 Base
10	3688824M1 ●	10 Screw
11	3688758M1	2 Plug
12	3688757M1	4 Plug
13	3688775M1	2 Plug
14	3688673M1 ◄ M12x120	10 Screw
	● 704696A1(10)	
15	3688759M1	1 Bearing
16	3688877M1	8 Plate
17	3688628M1	1 Splasher
18	6528835M1 ! 1	1 Filler
!	This is a component of an assembly	
◄	Length	
●	Replacement	

**<https://www.ebooklibonline.com>**

Hello dear friend!

Thank you very much for reading.

Enter the link into your browser.

The full manual is available for immediate download.

**<https://www.ebooklibonline.com>**

Engine

X6.4 Tier 4 (2014- ) - RP66 - X6.420

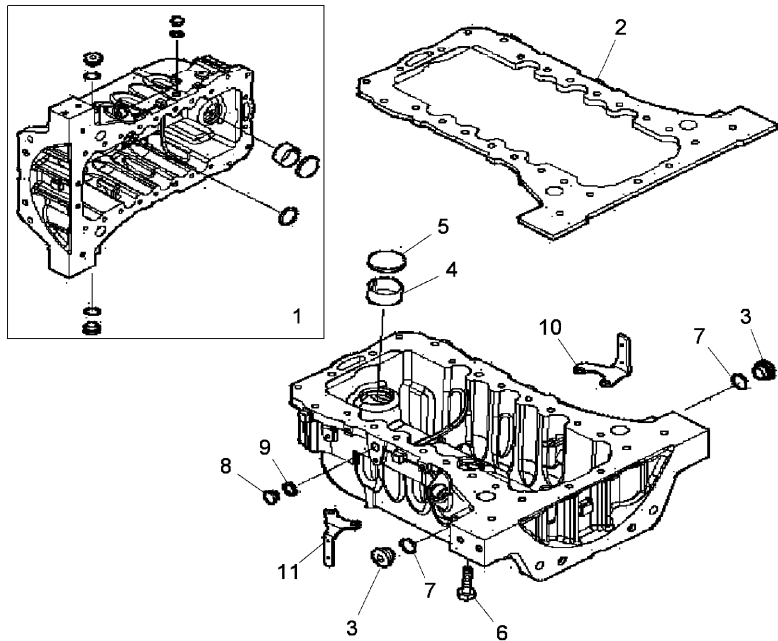
RP66\00045405.png

A-05  
03



A0503

Oil sump



- 1 6528843M91
- 2 6528778M1
- 3 3688691M1
- 4 3688803M1
- 5 3688804M1
- 6 3688678M1
- 6 3688679M1
- 6 3688778M1
- 6 4208118M1
- 7 3688997M1
- 8 4208121M1
- 9 6528826M1
- 10 4208119M1
- 11 4208120M1

- ◆ M10x190
- ◆ M10x90

◆ Length

Inglese

- 1 Pan
- 1 Gasket
- 2 Plug
- 1 Filter
- 1 Plug
- 2 Screw
- 18 Screw
- 2 Screw
- 4 Screw
- 2 Ring
- 1 Plug
- 1 Gasket
- 1 Stirrup
- 1 Stirrup

Engine

X6.4 Tier 4 (2014- ) - RP66 - X6.420

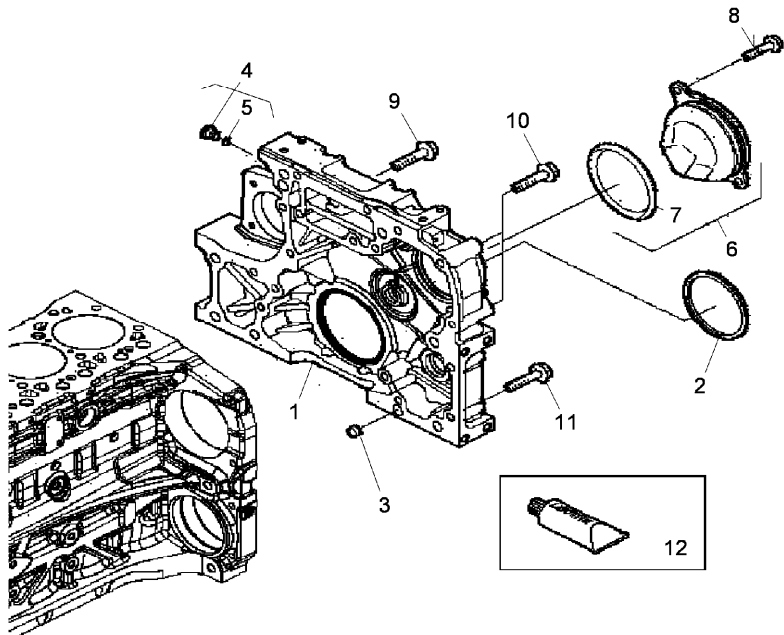
RP66\00045406.png

A-05  
04



A0504

Crankcase covers



		Inglese
1	4206380M1	1 Coperch.
2	6525730M1 ● 6514306M1(1)	1 Ring
3	3688753M1	2 Screw
4	3688780M1 ● 704848A1(1)	1 Plug
5	3688781M1 ! 4 ● 707405A1(1)	1 Ring
6	4206381M1	1 Coperch.
7	3689092M1 ! 6	1 Ring
8	3688799M1	2 Screw
9	3688671M1	15 Screw
10	3688869M1	2 Screw
11	3688874M1	1 Screw
12	3688632M1 ● 3688632M2(999)	999 Adhesive

! This is a component of an assembly  
 ● Replacement

Engine

X6.4 Tier 4 (2014- ) - RP66 - X6.420

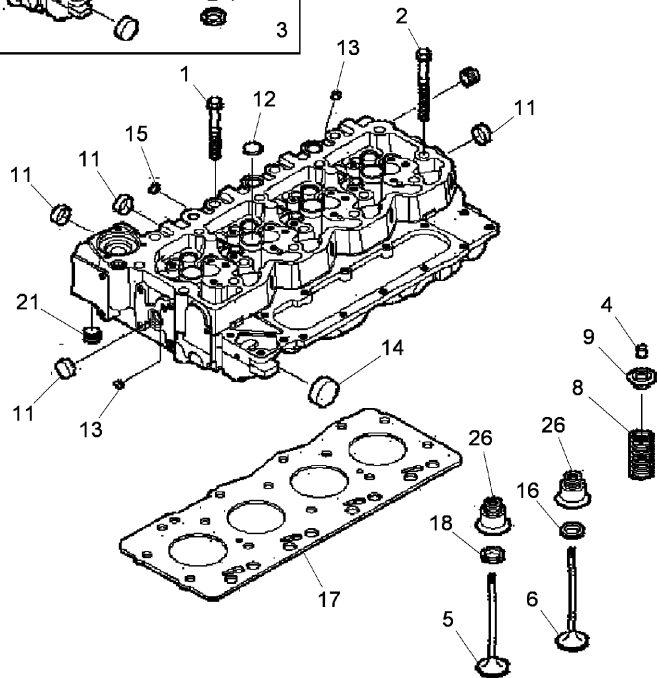
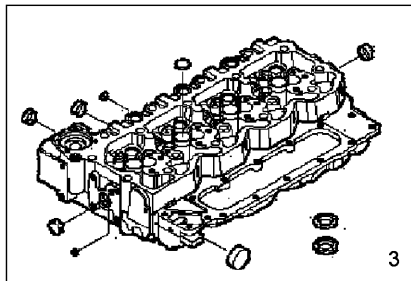
RP66\00045407.png

A-05  
05



A0505

Head cylinder



- |    |           |    |         |    |            |
|----|-----------|----|---------|----|------------|
| 1  | 3688651M1 | ◀▶ | M12x130 | 8  | Screw      |
| 2  | 3688652M1 | ◀▶ | M12x150 | 10 | Screw      |
| 3  | 6528776M1 |    |         | 1  | Head       |
| 4  | 3688858M1 |    |         | 32 | Cone       |
| 5  | 3688761M1 |    |         | 8  | Valve      |
| 6  | 3688762M1 |    |         | 8  | Valve      |
| 8  | 6513397M1 |    |         | 16 | Spring     |
| 9  | 3688766M1 |    |         | 16 | Cup        |
| 11 | 3688768M1 |    |         | 9  | Plug       |
| 12 | 3688769M1 |    |         | 7  | Plug       |
| 13 | 3688782M1 |    |         | 5  | Plug       |
| 14 | 3688794M1 |    |         | 1  | Plug       |
| 15 | 3688795M1 |    |         | 2  | Plug       |
| 16 | 704941A1  |    |         | 8  | Shim       |
| 17 | 6528771M1 |    |         | 1  | Gasket     |
| 18 | 704914A1  |    |         | 8  | Valve seat |
| 21 | 3688683M1 |    |         | 2  | Plug       |
| 26 | 3688622M1 |    |         | 16 | Cap        |
| ◀▶ | Length    |    |         |    |            |

Inglese

Engine

X6.4 Tier 4 (2014- ) - RP66 - X6.420

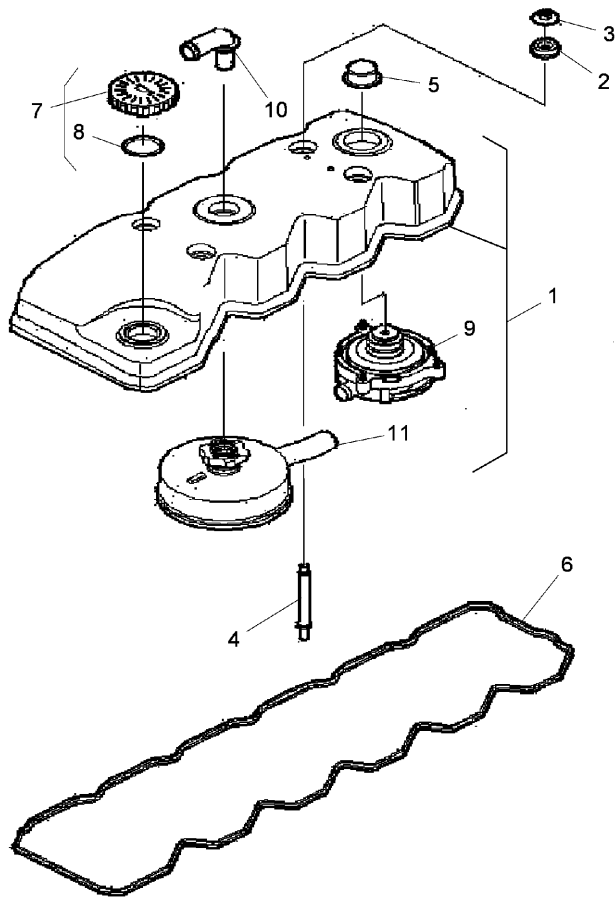
RP66\00045408.png

A-05  
06



A0506

Cylinder head cover



- 1 6528806M1 ● 6531119M1(1)
- 2 3689040M1
- 3 3689057M1
- 4 4206386M1
- 5 6528809M1
- 6 6528794M1
- 7 6513399M91
- 8 3689016M1
- 9 6528819M1 ! 1
- 10 4206385M1 ! 1
- 11 4206384M1 ! 1

Inglese

- 1 Coperch.
- 4 Spacer
- 4 Nut
- 4 Screw
- 1 Cap
- 1 Gasket
- 1 Plug
- 1 Gasket
- 1 Valve
- 1 Union
- 1 Breather

- ! This is a component of an assembly
- Replacement

Engine

X6.4 Tier 4 (2014- ) - RP66 - X6.420

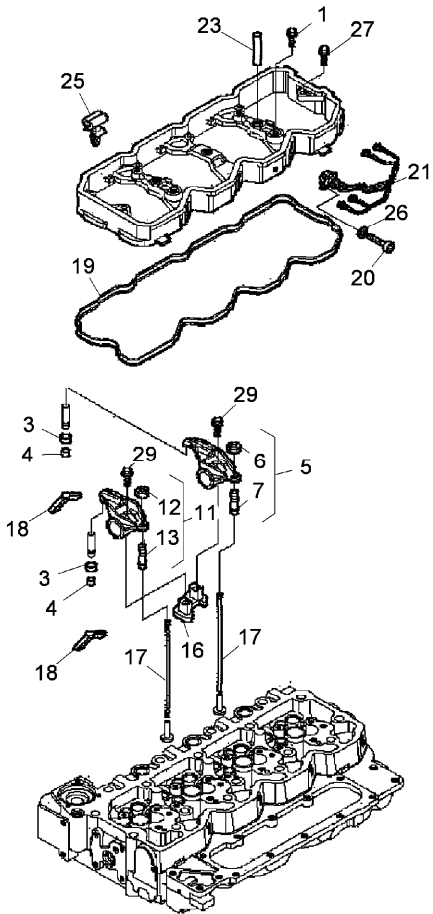
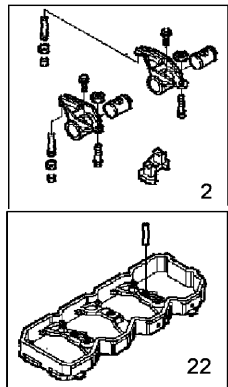
RP66\00045409.png

A-05  
07



A0507

Rocker shaft



1	3688796M1	●	704858A1(3)	3	Screw
2	6503095M2			4	Shaft
3	6513400M1			8	Cup
4	6513401M1			8	Skate
5	6513402M91			4	Rocker
6	6513403M1	!	5	2	Nut
7	6513404M1	!	5	2	Screw
11	6513405M91			4	Rocker
12	6513403M1	!	11	2	Nut
13	6513404M1	!	11	2	Screw
16	6513406M1			4	Support
17	3688756M1			8	Rod
18	3689067M1			8	Lever
19	6528795M1			1	Gasket
20	6528765M1	◄	M6x16	2	Screw
21	6525644M1			2	Cable
22	6528786M1			1	Spacer
23	3688871M1	●	705039A1(3)	3	Bush
25	3689037M1	●	705197A1(4)	4	Spring
26	3688950M1	●	707347A1(2)	2	Lock washer
27	3688863M1	●	705011A1(2)	2	Screw
28	6525644M1			2	Cable
29	3688609M1	●	704622A1(8)	8	Screw
!	This is a component of an assembly				
◄	Length				

Inglese

Engine

X6.4 Tier 4 (2014- ) - RP66 - X6.420

RP66\00045409.png

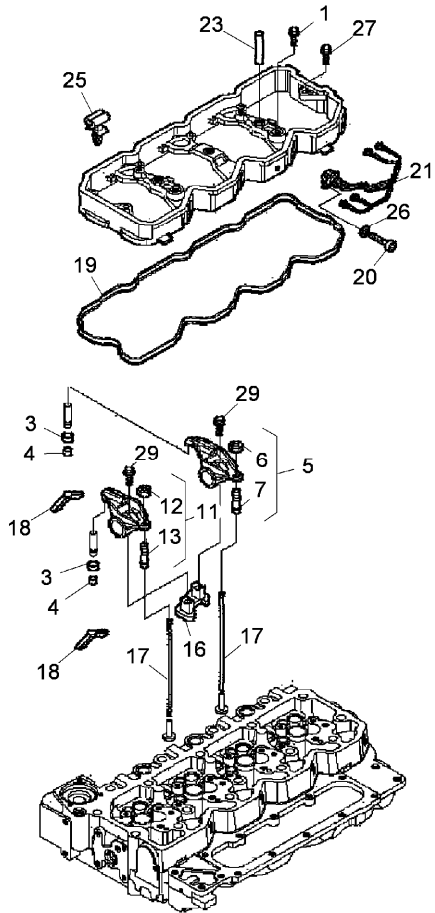
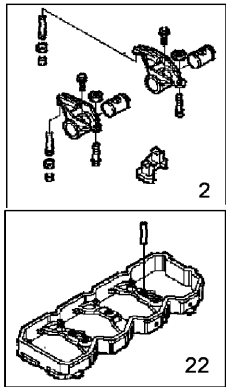
A-05  
07



A0507

Rocker shaft

● Replacement



Engine

X6.4 Tier 4 (2014- ) - RP66 - X6.420

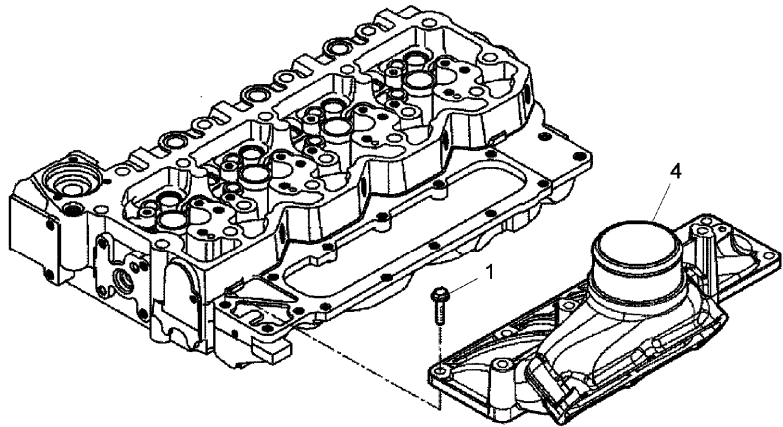
RP66\00045410.png

A-05  
08



A0508

Induction manifold



- 1 3688796M1 ● 704858A1(1)
- 1 3688850M1
- 3 6500933M1
- 7 6528804M1
- Replacement

Inglese

- 1 Screw
- 6 Screw
- 999 Loctite
- 1 Duct

Engine

X6.4 Tier 4 (2014- ) - RP66 - X6.420

RP66\00045413.png

A-05  
09



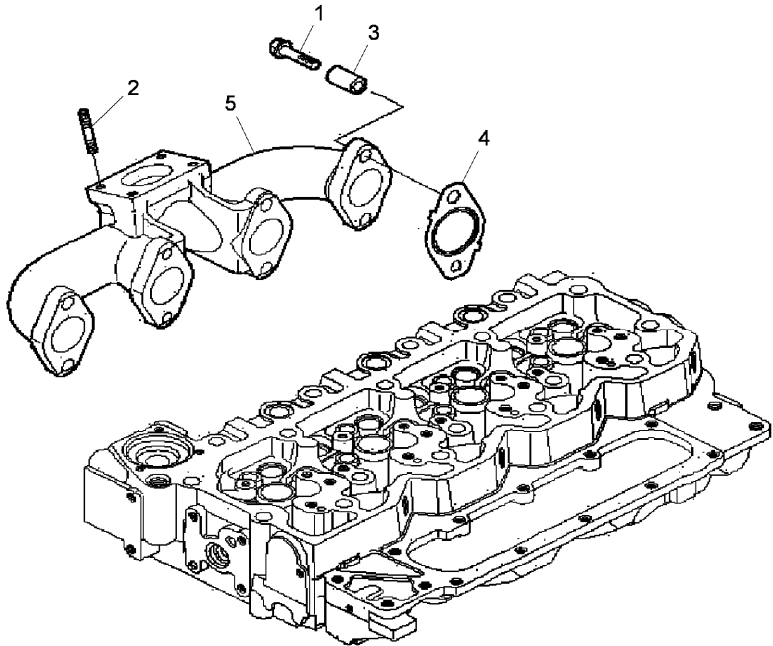
A0509

Exhaust manifold

- 1 3688774M2
- 2 6528848M1
- 3 6528780M1
- 4 3689062M1
- 5 6528833M1

Inglese

- 8 Screw
- 4 Screw
- 8 Spacer
- 4 Gasket
- 1 Manifold



Engine

X6.4 Tier 4 (2014- ) - RP66 - X6.420

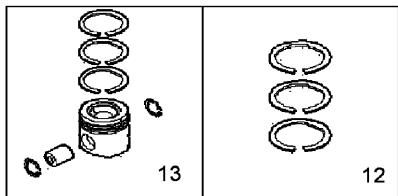
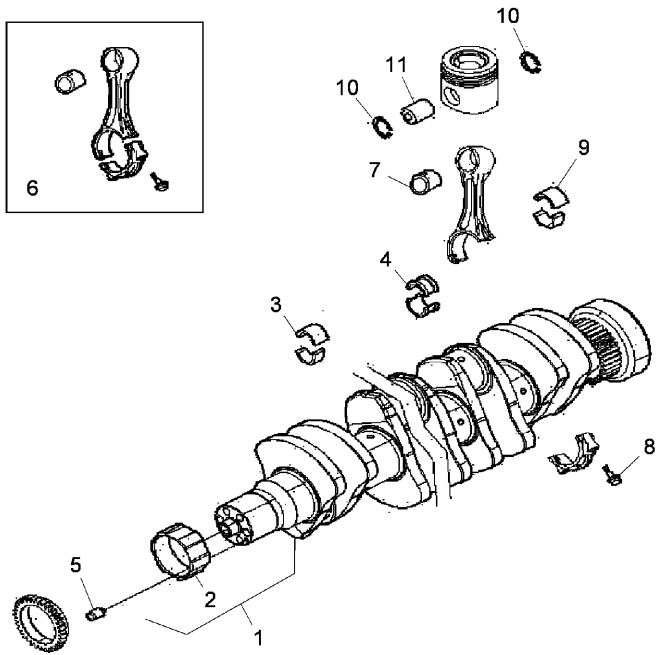
RP66\00045414.png

**A-05**  
**10**



A0510

Crank shaft - connecting rods



- 1 6528815M1
- 2 4206387M1
- 3 3688637M1
- 3 3688638M1    ❏ -0,250 mm
- 3 3688639M1    ❏ -0,500 mm
- 4 3688634M1
- 4 3688635M1    ❏ -0,250 mm
- 4 3688636M1    ❏ -0,500 mm
- 5 3688851M1    ● 704992A1(1)
- 6 3688624M1
- 7 3688675M1    ! 6
- 8 3688623M1    ! 10
- 9 3688880M1
- 9 4206388M1    ❏ -0,250 mm
- 9 4206389M1    ❏ -0,500 mm
- 10 3689087M1
- 11 3688676M1
- 12 3688921M1
- 12 3688923M92    ❏ +0,400 mm
- 713981A1(4)
- 13 4208130M1
- 13 6513409M91    ❏ +0,400 mm

**Inglese**

- 1 Shaft
- 1 Bush
- 4 Cuscinet
- 4 Cuscinet
- 4 Cuscinet
- 1 Cuscinet
- 1 Bearing
- 1 Cuscinet
- 1 Screw
- 4 Conrod
- 1 Bush
- 8 Screw
- 4 Cuscinet
- 4 Cuscinet
- 4 Cuscinet
- 8 Ring
- 4 Pin
- 4 Kit
- 4 Kit
- 4 Piston
- 4 Piston

- ! This is a component of an assembly
- ❏ Shim
- Replacement

Engine

X6.4 Tier 4 (2014- ) - RP66 - X6.420

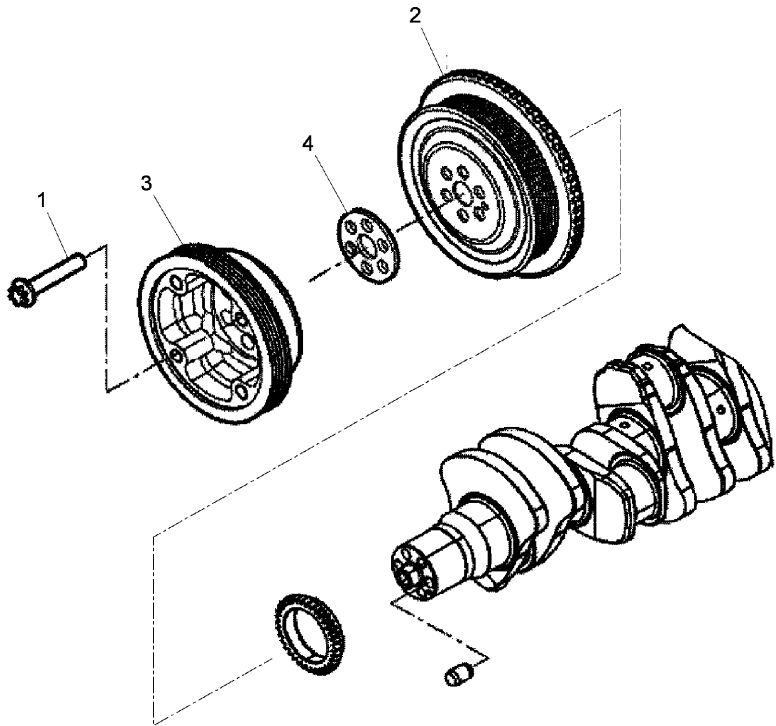
RP66\00045415.png

A-05  
11



A0511

Vibration damper



- |   |              | Inglese  |
|---|--------------|----------|
| 1 | 3688681M1    | 6 Screw  |
| 2 | 6528777M1    | 1 Pulley |
| 3 | 6528802M1    | 1 Pulley |
| 4 | 4208158M1    | 1 Spacer |
| ● | Replacement  |          |
| ● | 6622016M1(1) |          |

Engine

X6.4 Tier 4 (2014- ) - RP66 - X6.420

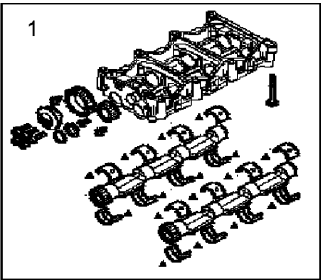
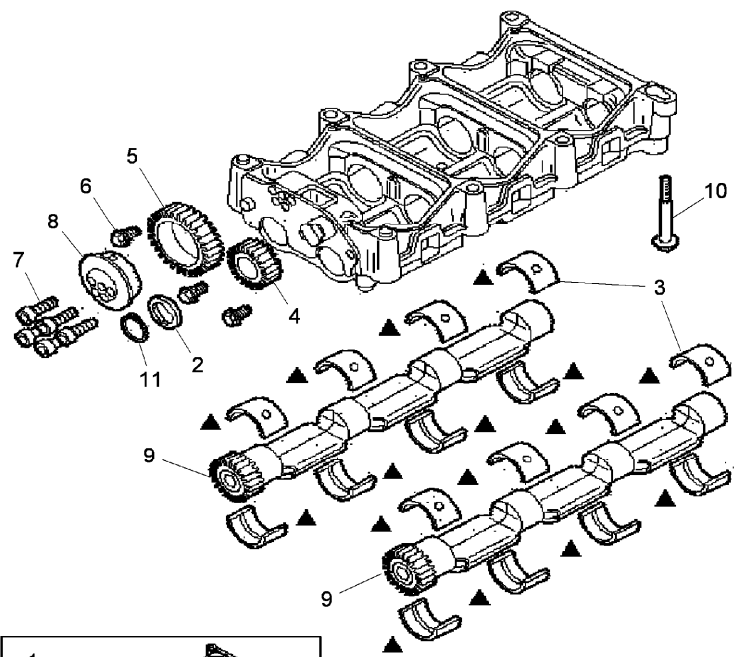
RP66\00045416.png

A-05  
12



A0512

Additional masses



- 1 6528805M1
- 2 6528783M1
- 3 6528844M1
- 4 6528782M1
- 5 6528781M1
- 6 3688799M1
- 7 6528769M1
- 8 6528775M1
- 9 6528801M1
- 10 6528784M1
- 10 705020A1
- 11 6528766M1

Inglese

- 1 Support
- 1 Lock washer
- 1 Bush
- 1 Gear
- 1 Gear
- 3 Screw
- 5 Screw
- 1 Shaft
- 2 Shaft
- 1 Screw
- 7 Screw
- 1 Shackle

Engine

X6.4 Tier 4 (2014- ) - RP66 - X6.420

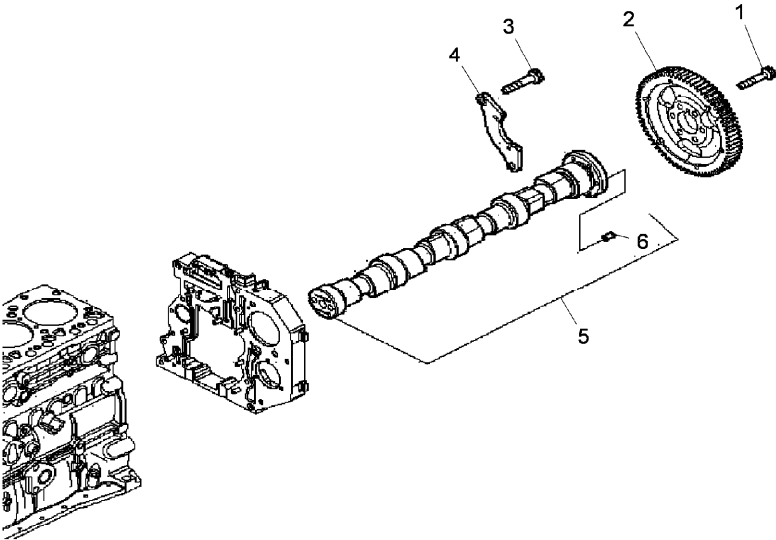
RP66\00045417.png

A-05  
13



A0513

Timing parts



- |   |           |    |             |   |         |
|---|-----------|----|-------------|---|---------|
| 1 | 3688856M1 |    |             | 6 | Screw   |
| 2 | 6528770M1 |    |             | 1 | Gear    |
| 3 | 3688854M1 | ◄► | M8x17       | 2 | Screw   |
|   |           | ●  | 704997A1(2) |   |         |
| 4 | 3688818M1 | ●  | 704931A1(1) | 1 | Stirrup |
| 5 | 6528813M1 |    |             | 1 | Shaft   |
| 6 | 3688857M1 | ●  | 705005A1(1) | 1 | Screw   |
- ◄► Length  
● Replacement

Inglese

Engine

X6.4 Tier 4 (2014- ) - RP66 - X6.420

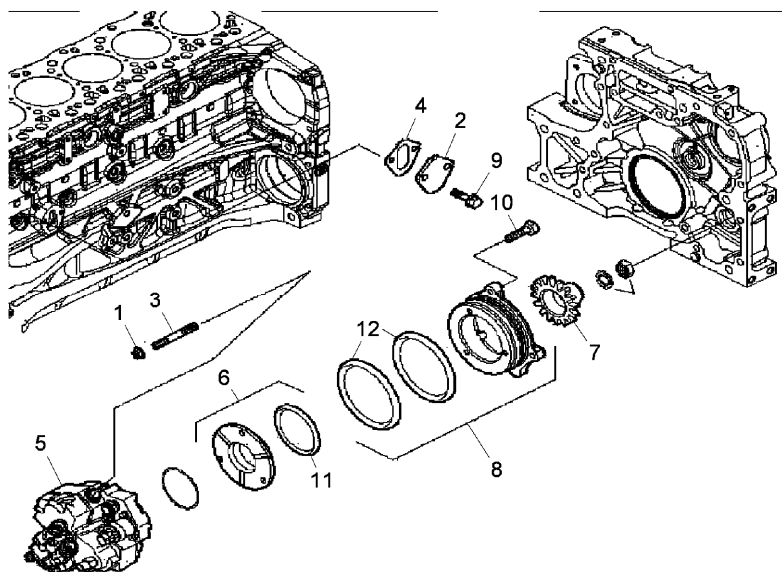
**A-05**  
**14**



A0514

Fuel injection equipment

RP66\00045418.png



- 1 3688948M1
- 2 3688811M1 ● 704911A1(1)
- 3 3688680M1
- 4 3688642M1 ● 704684A1(1)
- 5 6513428M91 ● 704975A2(1)
- 6 3688613M1
- 7 3688805M1
- 8 3688614M1
- 9 3688941M1 ● 710625A1(2)
- 10 3688853M1 ◀▶ M8x30
- 11 3688998M1 72,63x3,53
- 12 3689000M1 120,24x3,53

- ◀▶ Length
- Replacement

**Inglese**

- 3 Nut
- 1 Coperch.
- 3 Screw
- 1 Gasket
- 1 Pump
- 1 Spacer
- 1 Gear
- 1 Spacer
- 2 Screw
- 3 Screw
- 1 Ring
- 2 Ring

Engine

X6.4 Tier 4 (2014- ) - RP66 - X6.420

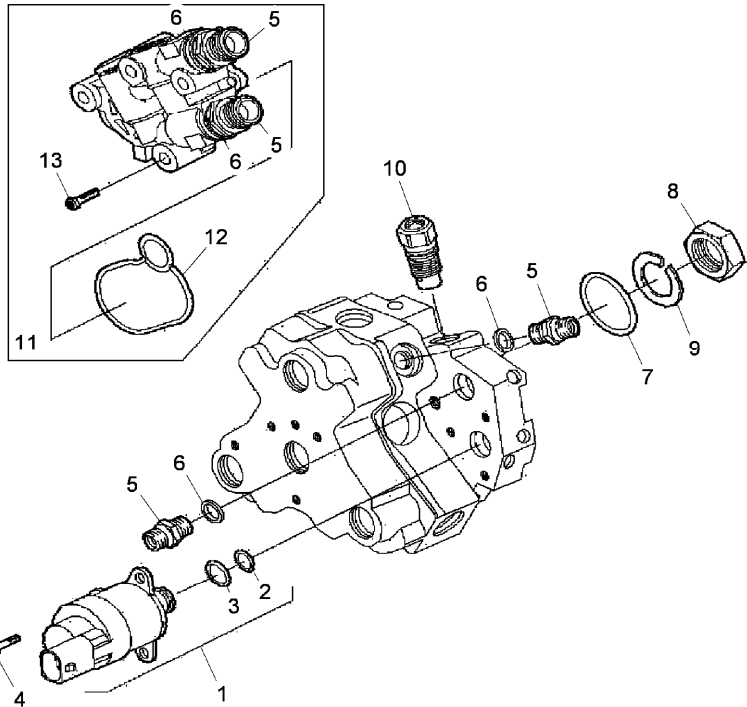
RP66\00045419.png

**A-05  
15**



A0515

Injection pump (componenti)



			Inglese
1	3689009M1		1 Adjuster
2	3689007M1	! 1	1 Ring
3	3689008M1	! 1	1 Ring
4	6525661M1		3 Screw
5	6501374M1		4 Union
6	3689015M2		4 Gasket
7	3689012M1		1 Ring
8	3688641M1	● 704682A1(1)	1 Nut
9	3688990M1	● 707359A1(1)	1 Washer
10	6525663M1		1 Valve
11	3689010M2		1 Pump
12	6501370M1	! 11	1 Ring
13	6525662M1	! 11	4 Screw
!			This is a component of an assembly
●			Replacement

Engine

X6.4 Tier 4 (2014- ) - RP66 - X6.420

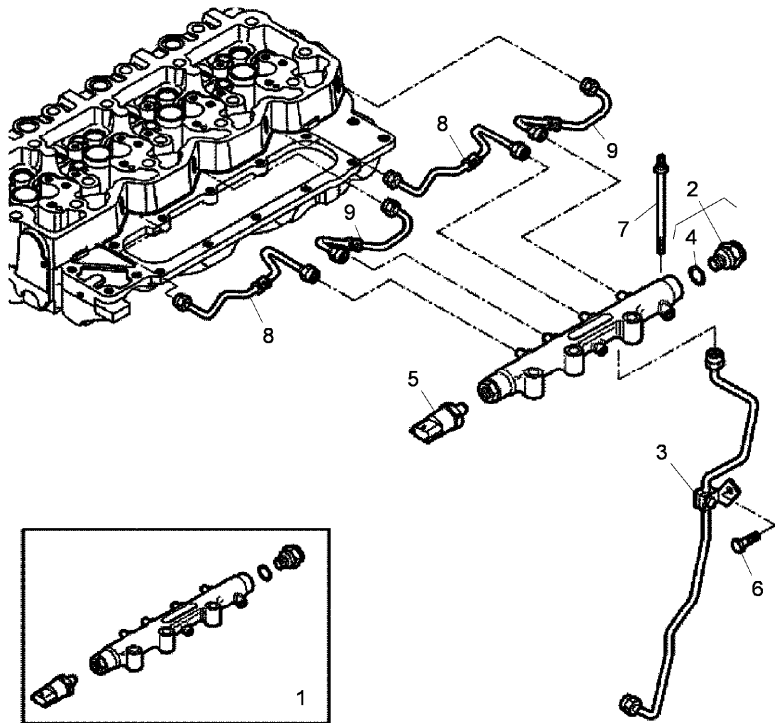
RP66\00045420.png

A-05  
16



A0516

Accumulator hydraulic



- 1 6528814M1
  - 2 3689078M2 ! 1
  - 3 6528811M1
  - 4 4218938M1 ! 1
  - 5 3689100M2 ! 1
  - 6 3688941M1 ● 710625A1(1)
  - 7 3689029M1 ● 705148A1(3)
  - 8 6528812M1
  - 9 4218887M1
- ! This is a component of an assembly  
 ● Replacement

Inglese

- 1 Accumulator
- 1 Valve
- 1 Pipe
- 1 Ring
- 1 Sensor
- 1 Screw
- 3 Screw
- 2 Pipe
- 2 Pipe

Engine

X6.4 Tier 4 (2014- ) - RP66 - X6.420

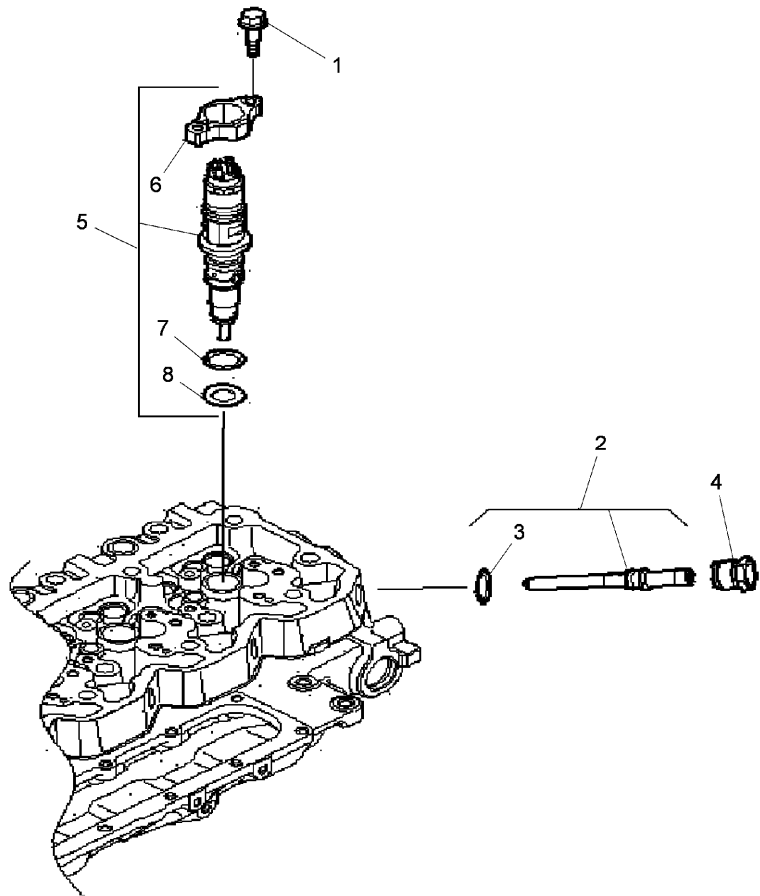
RP66\00045421.png

A-05  
17



A0517

Nozzles



- 1 3688798M1
- 2 3689089M1
- 3 3688649M1 ! 2
- 4 3688688M1
- 5 3689103M1
- 6 3689084M1 ! 5
- 7 3688648M1 ! 5
- 8 3688876M1 ! 5

Inglese

- 8 Screw
- 4 Pipe
- 1 Ring
- 4 Nut
- 4 Nozzle
- 1 Stirrup
- 1 Ring
- 1 Washer,locking

! This is a component of an assembly

Engine

X6.4 Tier 4 (2014- ) - RP66 - X6.420

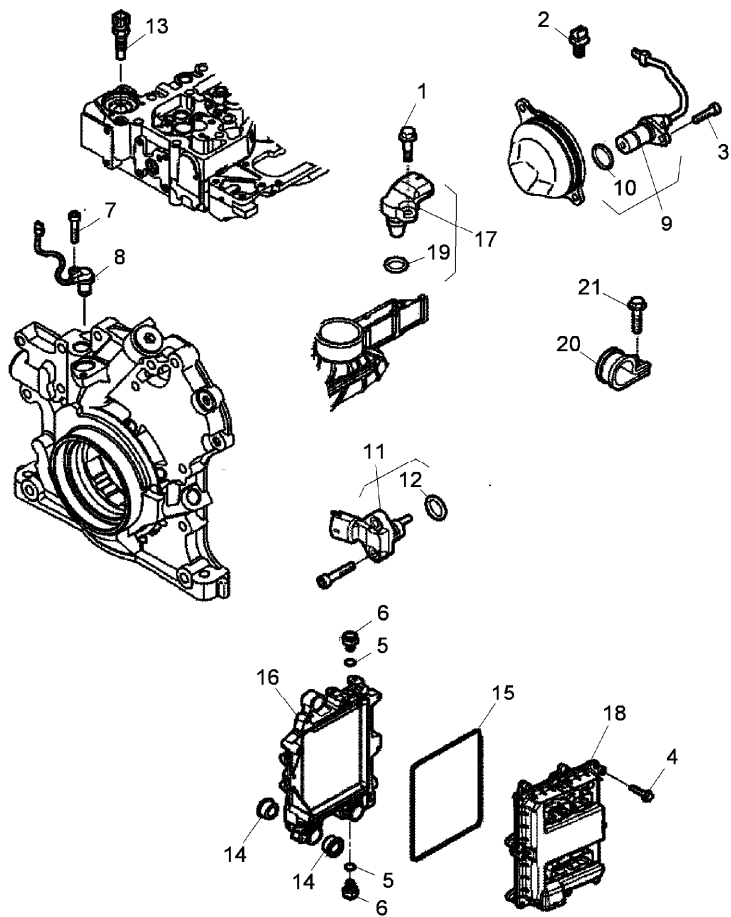
RP66\00045422.png

**A-05  
18**



A0518

Electronic control unit



		Inglese
1	3688801M1	▶ M6x20 1 Screw
2	6513422M1	2
3	4206391M1	1 Screw
4	3688931M1	▶ M6x30 8 Screw
5	4206399M1	2 Ring
6	3688650M1	2 Union
7	3688866M1	● 705021A1(3) 3 Screw
8	3689028M1	1 Sensor
9	3688814M1	1 Sensor
10	3688993M1	! 9 1 Ring
		17,17x1,78
11	3688640M2	A 1 Cutout
		B
12	3688797M1	! 11 1 Ring
		13,94x2,62
13	3688813M1	C 1 Sensor
14	3689019M1	6 Spacer
15	3689053M1	1 Gasket
16	3689086M1	1 Support
17	6513418M91	D 1 Sensor
		E
18	3688920M1	● N.L.S.(1) 1 Centralizer
19	4206392M1	! 17 1 Ring
20	3689002M1	● 704595A1(2) 2 Collar
21	3688932M1	2 Screw

Engine

X6.4 Tier 4 (2014- ) - RP66 - X6.420

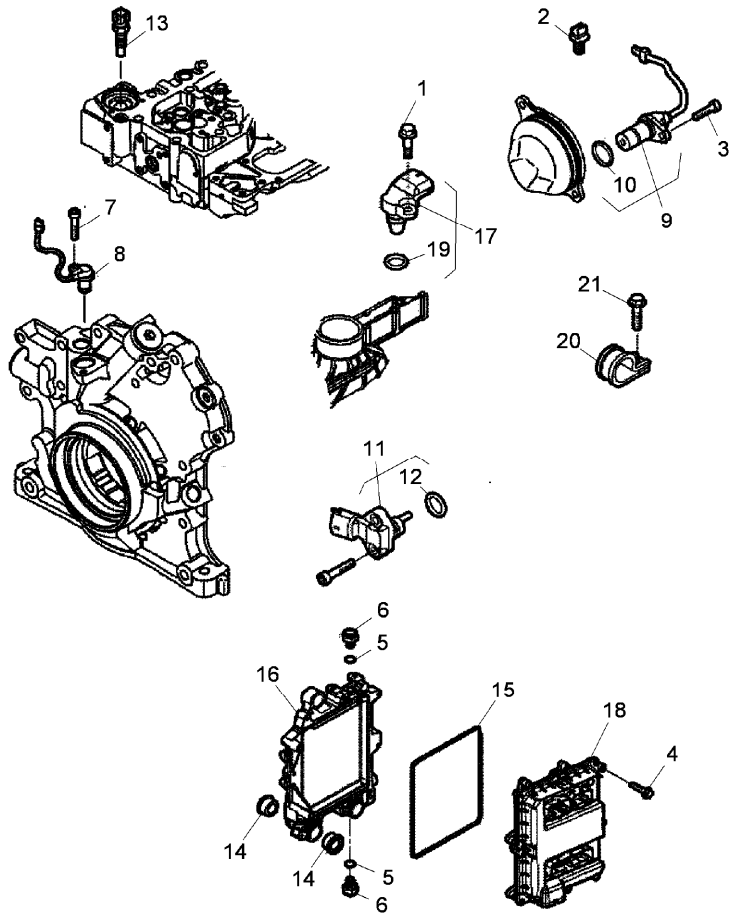
RP66\00045422.png

A-05  
18



A0518

Electronic control unit



- ! This is a component of an assembly
- ◄ Length
- Replacement
- A Oil pressure
- B Oil temperature
- C Water temperature
- D Air pressure
- E Air temperature

Engine

X6.4 Tier 4 (2014- ) - RP66 - X6.420

RP66\00045423.png

A-05  
19



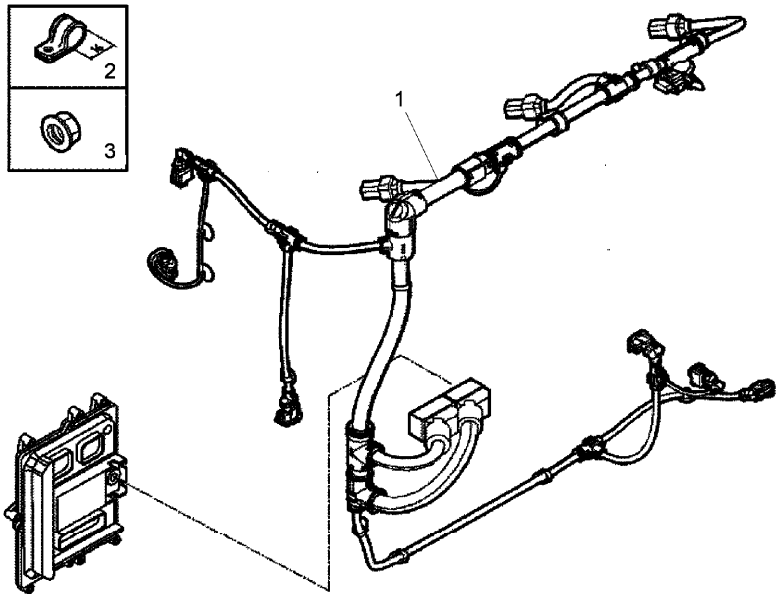
A0519

Engine wiring

- 1 6528830M1
- 2 714944A1
- 3 6528767M1

Inglese

- 1 Wiring harness
- 2 Screw
- 2 Nut



Engine

X6.4 Tier 4 (2014- ) - RP66 - X6.420

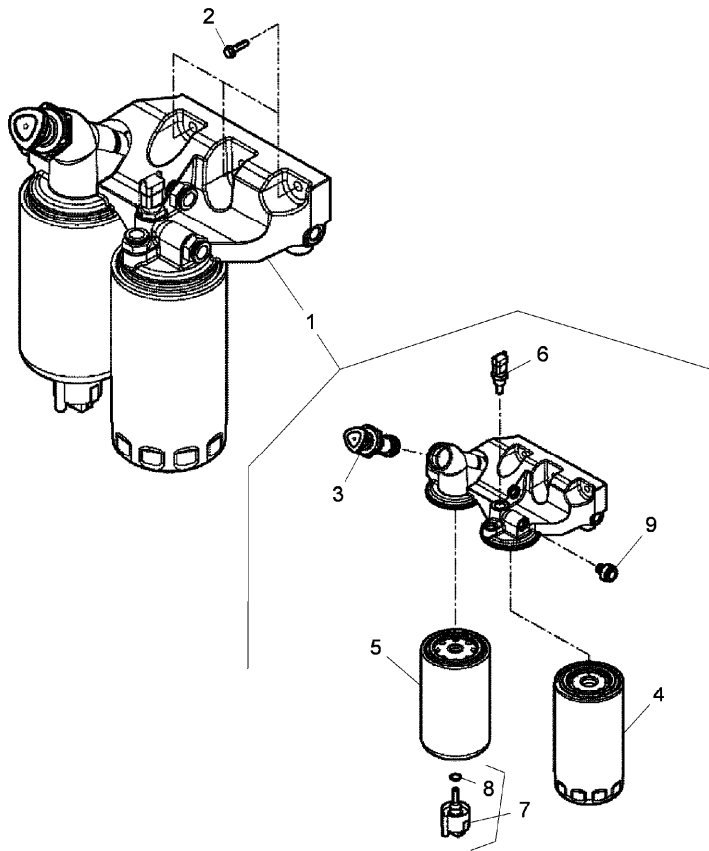
RP66\00045424.png

A-05  
20



A0520

Fuel filter



- 1 6528829M1
  - 2 3688942M1 ● 706309A1(3)
  - 3 6528820M91
  - 4 6513425M1
  - 5 6526738M1
  - 6 3688813M1
  - 7 6528793M1
  - 8 6528807M1 ! 7
  - 9 4206400M1
- ! This is a component of an assembly  
 ● Replacement

Inglese

- 1 Filter
- 3 Screw
- 1 Pump
- 1 Cartridge
- 1 Filter
- 1 Sensor
- 1 Sensor
- 1 Gasket
- 4 Union



**Suggest:**

**For more complete manuals. Please go to the home page.**

**<https://www.ebooklibonline.com>**

**If the above button click is invalid. Please download this document first, and then click the above link to download the complete manual.**

**Thank you so much for reading**

Engine

X6.4 Tier 4 (2014- ) - RP66 - X6.420

RP66\00045425.png

A-05  
21



A0521

Fuel lines

1 6528821M1

2 6528831M1

3 6528832M1

4 3688690M1 ! 1

! 2

! 3

Inglese

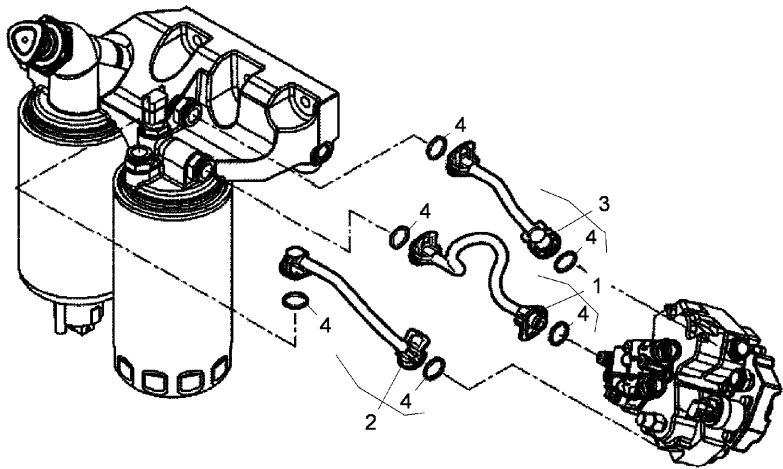
1 Pipe

1 Pipe

1 Pipe

6 Ring

! This is a component of an assembly



Engine

X6.4 Tier 4 (2014- ) - RP66 - X6.420

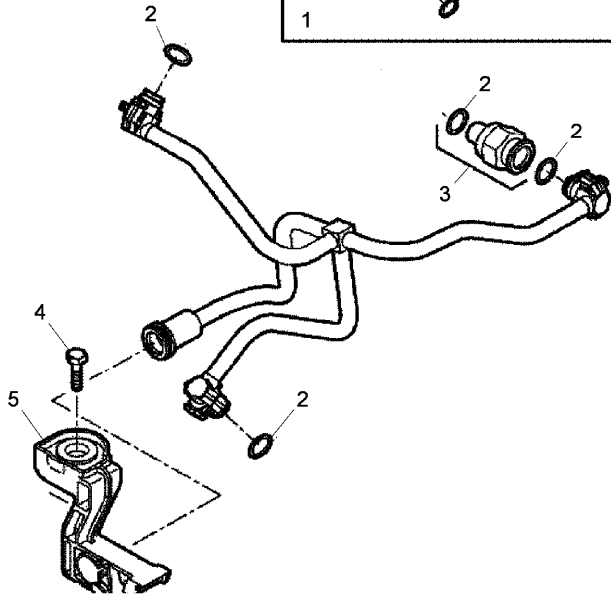
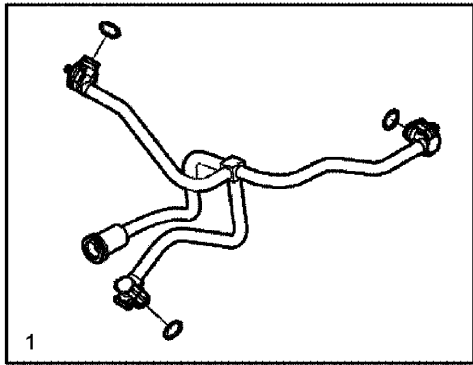
RP66\00045426.png

A-05  
22



A0522

Fuel lines



- 1 6528822M1
  - 2 3688690M1 ! 1
  - 3 6528824M1 ! 1
  - 4 3688944M1 ● 707366A1(1)
  - 5 6528816M1
- ! This is a component of an assembly  
● Replacement

Inglese

- 1 Pipe
- 4 Ring
- 1 Union
- 1 Screw
- 1 Spring

**<https://www.ebooklibonline.com>**

Hello dear friend!

Thank you very much for reading.

Enter the link into your browser.

The full manual is available for immediate download.

**<https://www.ebooklibonline.com>**