

Engine

X6 T4i LWB (2014-) - RP76 - X6.480

RP76\00044743.png

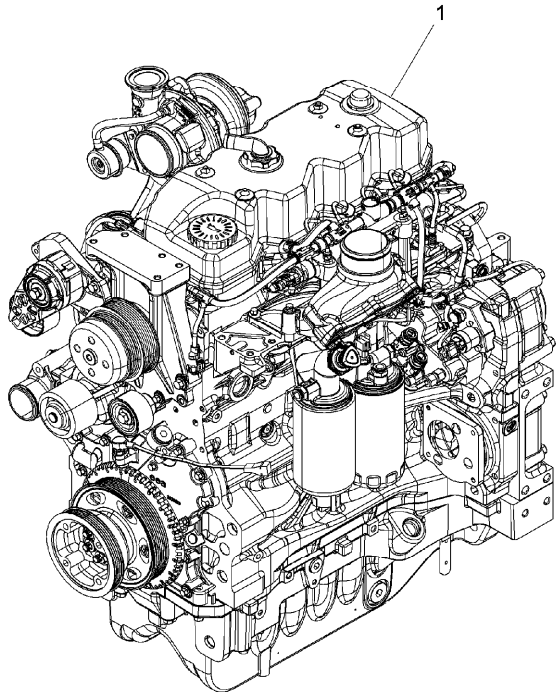
A-05
01



A0501

Engine assembly

		Inglese	
1	6521507M91	"fpt nef" 125 kw	1 Engine
1	6528405M91	"fpt nef" 125 kw	1 Engine
A			
A	Pre-built		



Engine

X6 T4i LWB (2014-) - RP76 - X6.480

RP76\00045403.png

A-05
015



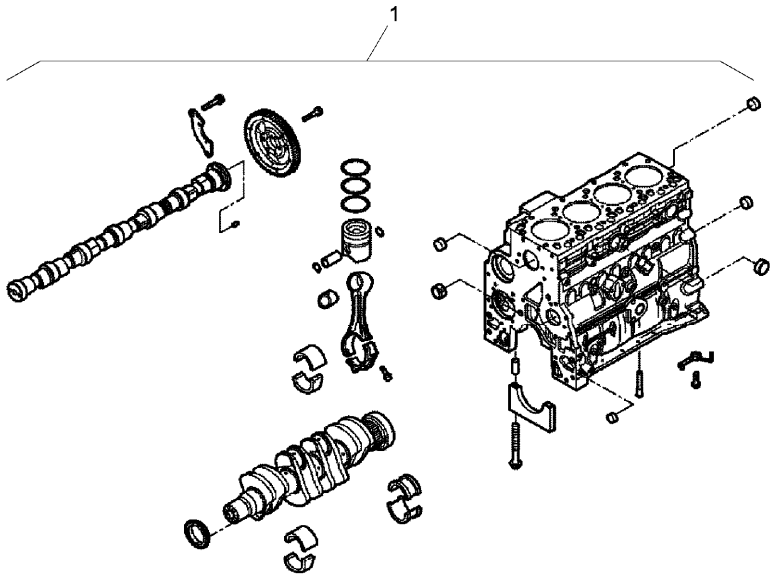
A05015

Short engine

1 6528827M91

Inglese

1 Short engine



Engine

X6 T4i LWB (2014-) - RP76 - X6.480

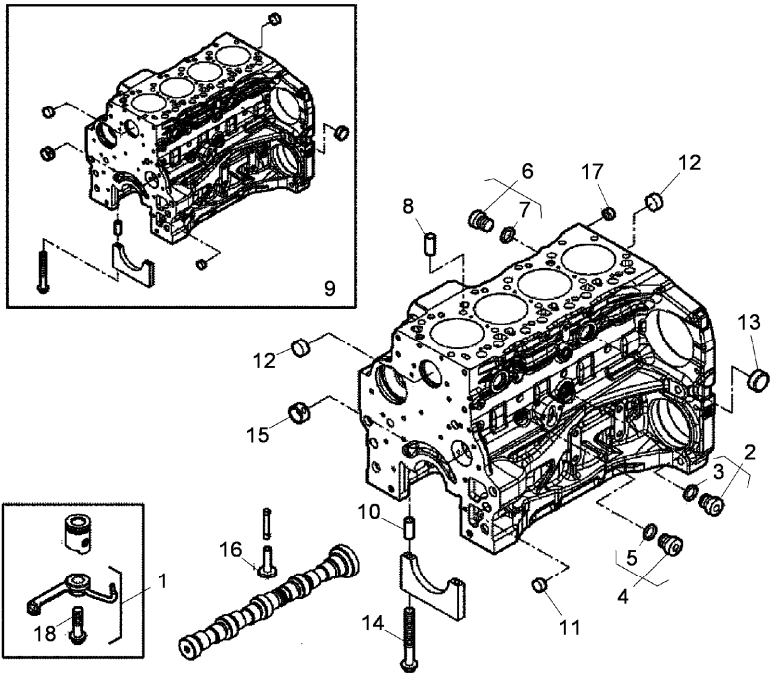
RP76\00045404.png

A-05
02



A0502

Crankcase



- | | | | | | |
|----|------------|---|--------------|----|----------|
| 1 | 3689030M1 | | | 4 | Splasher |
| 2 | 3689350M1 | ● | 704866A1(1) | 1 | Plug |
| 3 | 3688868M1 | ! | 2 | 1 | Ring |
| 4 | 3688822M1 | ● | 704980A1(2) | 2 | Plug |
| 5 | 3688855M1 | ! | 4 | 1 | Ring |
| 6 | 3688780M1 | ● | 704848A1(1) | 1 | Plug |
| 7 | 3688781M1 | ! | 6 | 1 | Ring |
| | | ● | 707405A1(1) | | |
| 8 | 3688760M1 | | | 2 | Screw |
| 9 | 6528772M91 | | | 1 | Base |
| 10 | 3688824M1 | ● | 704983A1(10) | 10 | Screw |
| 11 | 3688758M1 | | | 2 | Plug |
| 12 | 3688757M1 | | | 4 | Plug |
| 13 | 3688775M1 | | | 2 | Plug |
| 14 | 3688673M1 | ◄ | M12x120 | 10 | Screw |
| | | ● | 704696A1(10) | | |
| 15 | 3688759M1 | | | 1 | Bearing |
| 16 | 3688877M1 | | | 8 | Plate |
| 17 | 3688628M1 | | | 1 | Splasher |
| 18 | 6528835M1 | ! | 1 | 1 | Filler |

- ! This is a component of an assembly
- ◄ Length
- Replacement

<https://www.ebooklibonline.com>

Hello dear friend!

Thank you very much for reading.

Enter the link into your browser.

The full manual is available for immediate download.

<https://www.ebooklibonline.com>

Engine

X6 T4i LWB (2014-) - RP76 - X6.480

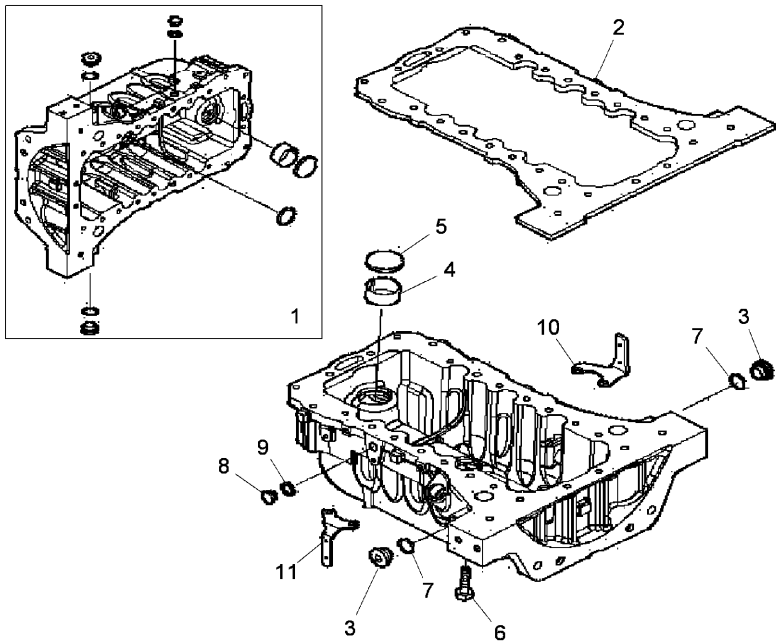
RP76\00045405.png

A-05
03



A0503

Oil sump



- 1 6528843M91
- 2 6528778M1
- 3 3688691M1
- 4 3688803M1
- 5 3688804M1
- 6 3688678M1
- 6 3688679M1
- 6 3688778M1
- 6 4208118M1
- 7 3688997M1
- 8 4208121M1
- 9 6528826M1
- 10 4208119M1
- 11 4208120M1

- ◆◆ M10x190
- ◆◆ M10x90

◆◆ Length

Inglese

- 1 Pan
- 1 Gasket
- 2 Plug
- 1 Filter
- 1 Plug
- 2 Screw
- 18 Screw
- 2 Screw
- 4 Screw
- 2 Ring
- 1 Plug
- 1 Gasket
- 1 Stirrup
- 1 Stirrup

Engine

X6 T4i LWB (2014-) - RP76 - X6.480

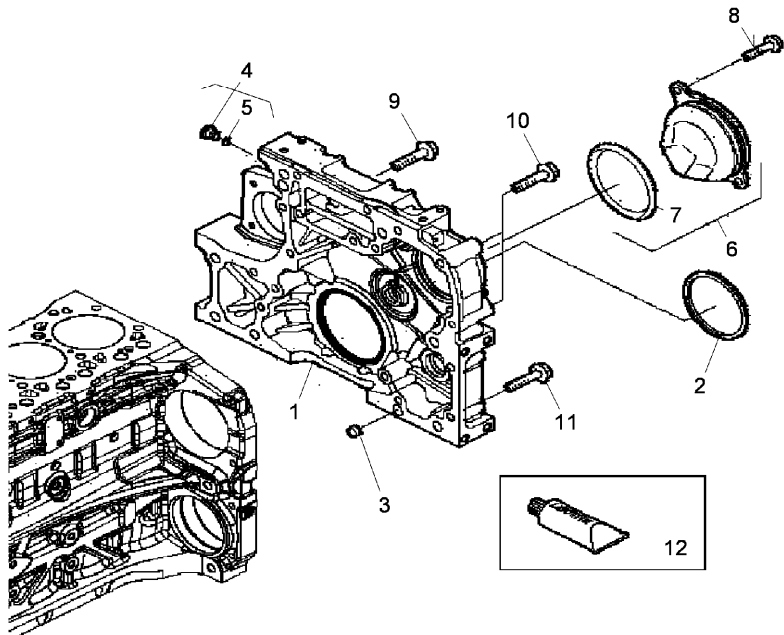
RP76\00045406.png

A-05
04



A0504

Crankcase covers



		Inglese
1	4206380M1	1 Coperch.
2	6525730M1 ● 6514306M1(1)	1 Ring
3	3688753M1	2 Screw
4	3688780M1 ● 704848A1(1)	1 Plug
5	3688781M1 ! 4 ● 707405A1(1)	1 Ring
6	4206381M1	1 Coperch.
7	3689092M1 ! 6	1 Ring
8	3688799M1	2 Screw
9	3688671M1	15 Screw
10	3688869M1	2 Screw
11	3688874M1	1 Screw
12	3688632M1 ● 3688632M2(999)	999 Adhesive
! This is a component of an assembly		
● Replacement		

Engine

X6 T4i LWB (2014-) - RP76 - X6.480

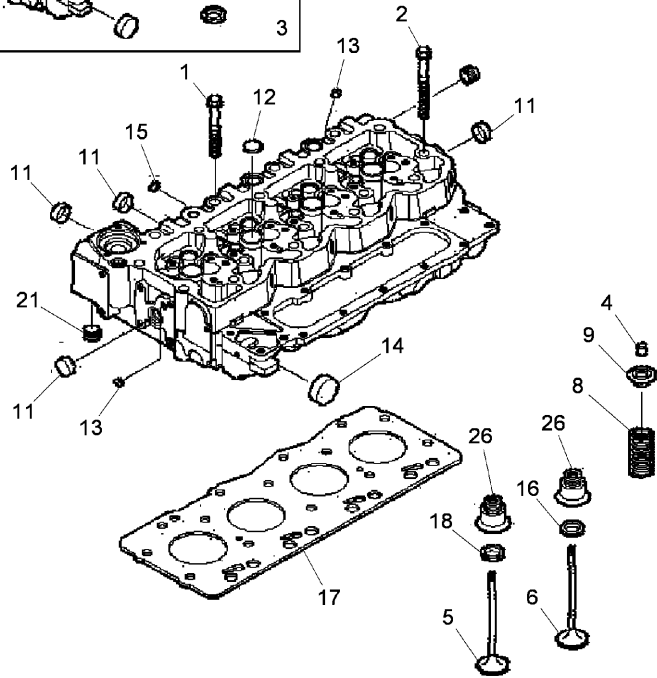
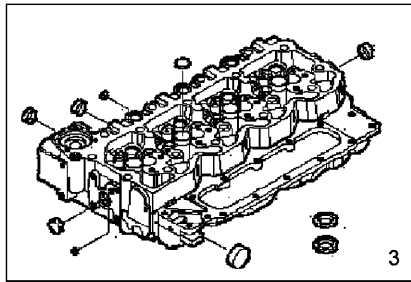
RP76\00045407.png

A-05
05



A0505

Head cylinder



- | | | | | | |
|----|-----------|----|---------|----|------------|
| 1 | 3688651M1 | ◀▶ | M12x130 | 8 | Screw |
| 2 | 3688652M1 | ◀▶ | M12x150 | 10 | Screw |
| 3 | 6528776M1 | | | 1 | Head |
| 4 | 3688858M1 | | | 32 | Cone |
| 5 | 3688761M1 | | | 8 | Valve |
| 6 | 3688762M1 | | | 8 | Valve |
| 8 | 6513397M1 | | | 16 | Spring |
| 9 | 3688766M1 | | | 16 | Cup |
| 11 | 3688768M1 | | | 9 | Plug |
| 12 | 3688769M1 | | | 7 | Plug |
| 13 | 3688782M1 | | | 5 | Plug |
| 14 | 3688794M1 | | | 1 | Plug |
| 15 | 3688795M1 | | | 2 | Plug |
| 16 | 704941A1 | | | 8 | Shim |
| 17 | 6528771M1 | | | 1 | Gasket |
| 18 | 704914A1 | | | 8 | Valve seat |
| 21 | 3688683M1 | | | 2 | Plug |
| 26 | 3688622M1 | | | 16 | Cap |
| ◀▶ | Length | | | | |

Inglese

Engine

X6 T4i LWB (2014-) - RP76 - X6.480

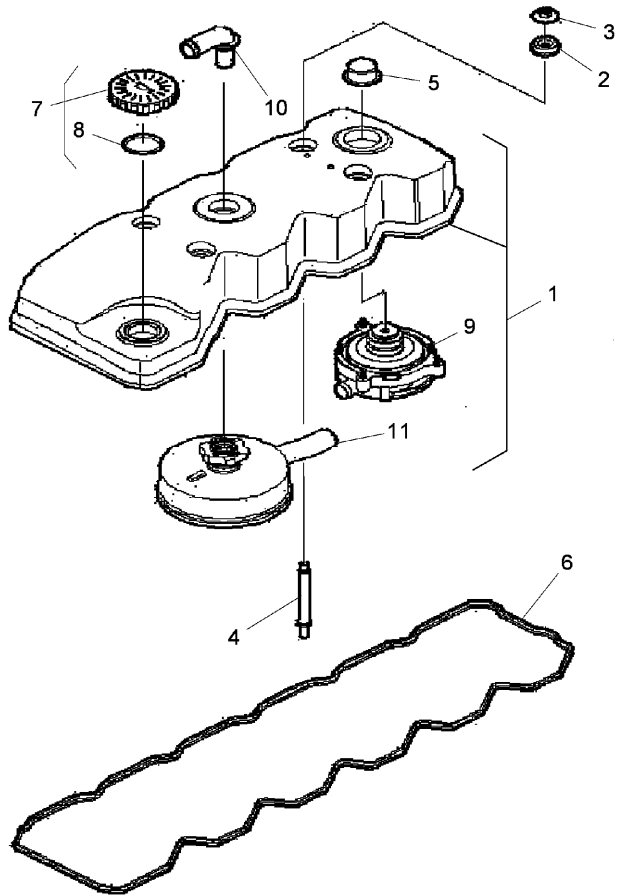
RP76\00045408.png

A-05
06



A0506

Cylinder head cover



- | | | | | | |
|----|------------|---|--------------|---|----------|
| 1 | 6528806M1 | ● | 6531119M1(1) | 1 | Coperch. |
| 2 | 3689040M1 | | | 4 | Spacer |
| 3 | 3689057M1 | | | 4 | Nut |
| 4 | 4206386M1 | | | 4 | Screw |
| 5 | 6528809M1 | | | 1 | Cap |
| 6 | 6528794M1 | | | 1 | Gasket |
| 7 | 6513399M91 | | | 1 | Plug |
| 8 | 3689016M1 | | | 1 | Gasket |
| 9 | 6528819M1 | ! | 1 | 1 | Valve |
| 10 | 4206385M1 | ! | 1 | 1 | Union |
| 11 | 4206384M1 | ! | 1 | 1 | Breather |

! This is a component of an assembly
 ● Replacement

Inglese

Engine

X6 T4i LWB (2014-) - RP76 - X6.480

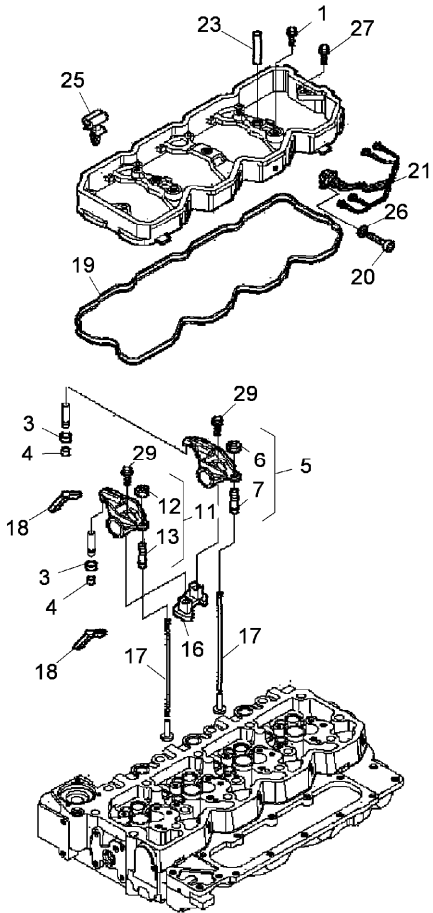
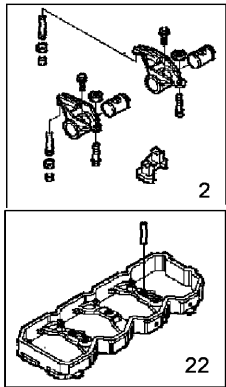
RP76\00045409.png

A-05
07



A0507

Rocker shaft



		Inglese	
1	3688796M1	●	704858A1(3)
2	6503095M2		
3	6513400M1		
4	6513401M1		
5	6513402M91		
6	6513403M1	!	5
7	6513404M1	!	5
11	6513405M91		
12	6513403M1	!	11
13	6513404M1	!	11
16	6513406M1		
17	3688756M1		
18	3689067M1		
19	6528795M1		
20	6528765M1	◄	M6x16
21	6525644M1		
22	6528786M1		
23	3688871M1	●	705039A1(3)
25	3689037M1	●	705197A1(4)
26	3688950M1	●	707347A1(2)
27	3688863M1	●	705011A1(2)
28	6525644M1		
29	3688609M1	●	704622A1(8)
!	This is a component of an assembly		
◄	Length		
3			Screw
4			Shaft
8			Cup
8			Skate
4			Rocker
2			Nut
2			Screw
4			Rocker
2			Nut
2			Screw
4			Support
8			Rod
8			Lever
1			Gasket
2			Screw
1			Spacer
3			Bush
4			Spring
2			Lock washer
2			Screw
2			Cable
8			Screw

Engine

X6 T4i LWB (2014-) - RP76 - X6.480

RP76\00045409.png

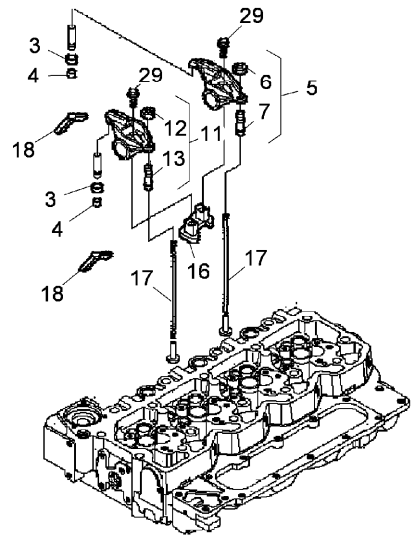
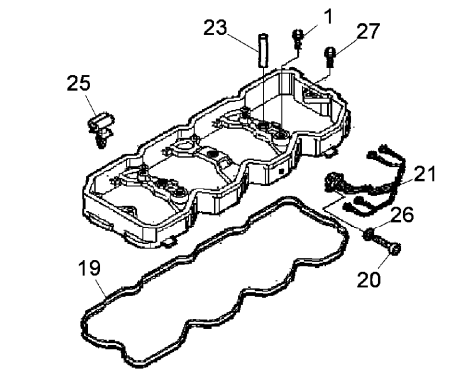
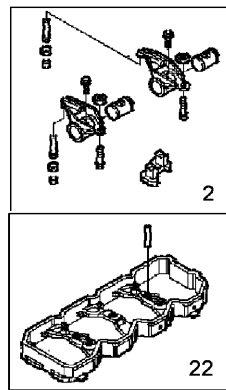
A-05
07



A0507

Rocker shaft

● Replacement



Engine

X6 T4i LWB (2014-) - RP76 - X6.480

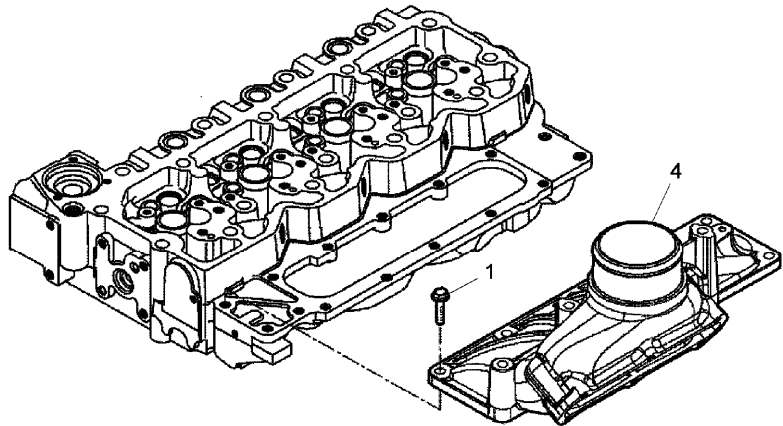
RP76\00045410.png

A-05
08



A0508

Induction manifold



- 1 3688796M1 ● 704858A1(1)
- 1 3688850M1
- 3 6500933M1
- 7 6528804M1
- Replacement

Inglese

- 1 Screw
- 6 Screw
- 999 Loctite
- 1 Duct

Engine

X6 T4i LWB (2014-) - RP76 - X6.480

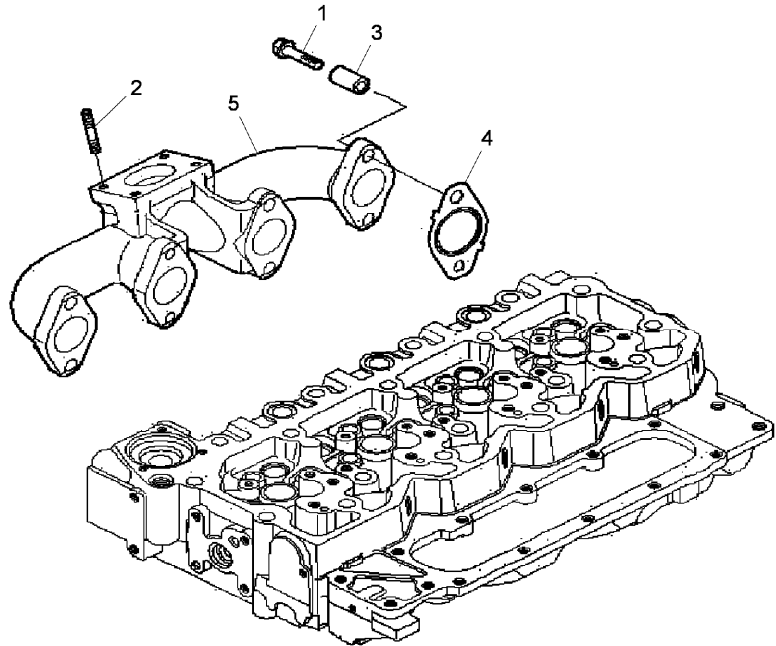
RP76\00045413.png

A-05
09



A0509

Exhaust manifold



- 1 3688774M2
- 2 6528848M1
- 3 6528780M1
- 4 3689062M1
- 5 6528833M1

Inglese

- 8 Screw
- 4 Screw
- 8 Spacer
- 4 Gasket
- 1 Manifold

Engine

X6 T4i LWB (2014-) - RP76 - X6.480

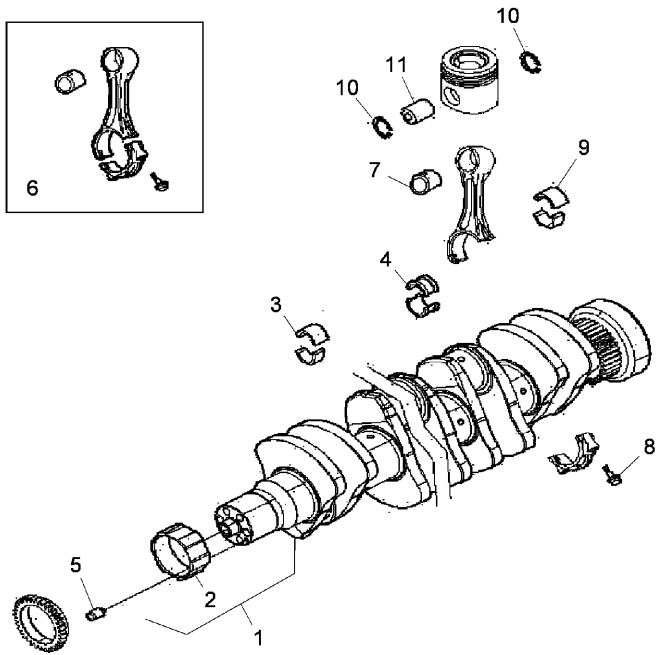
RP76\00045414.png

A-05
10



A0510

Crank shaft - connecting rods



Inglese

1	6528815M1		1	Shaft
2	4206387M1		1	Bush
3	3688637M1		4	Cuscinet
3	3688638M1	⚡	4	Cuscinet
3	3688639M1	⚡	4	Cuscinet
4	3688634M1		1	Cuscinet
4	3688635M1	⚡	1	Bearing
4	3688636M1	⚡	1	Cuscinet
5	3688851M1	●	1	Screw
6	3688624M1		4	Conrod
7	3688675M1	!	6	Bush
8	3688623M1	!	8	Screw
9	3688880M1		4	Cuscinet
9	4206388M1	⚡	4	Cuscinet
9	4206389M1	⚡	4	Cuscinet
10	3689087M1		8	Ring
11	3688676M1		4	Pin
12	3688921M1		4	Kit
12	3688923M92	⚡	4	Kit
		●		713981A1(4)
13	4208130M1		4	Piston
13	6513409M91	⚡	4	Piston

- ! This is a component of an assembly
- ⚡ Shim
- Replacement

Engine

X6 T4i LWB (2014-) - RP76 - X6.480

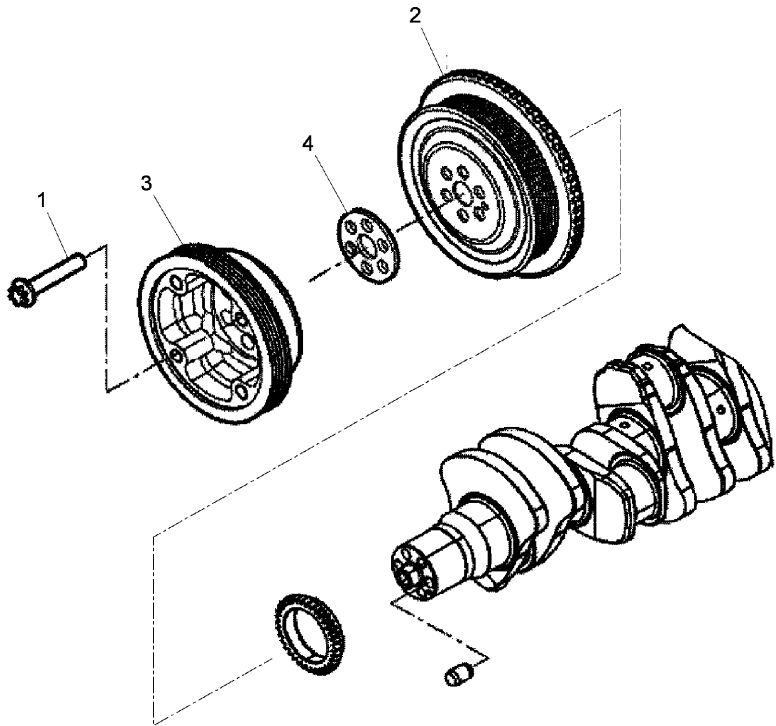
RP76\00045415.png

A-05
11



A0511

Vibration damper



- | | | Inglese |
|---|-------------|--------------|
| 1 | 3688681M1 | 6 Screw |
| 2 | 6528777M1 | 1 Pulley |
| 3 | 6528802M1 | 1 Pulley |
| 4 | 4208158M1 | 1 Spacer |
| ● | Replacement | 6622016M1(1) |

Engine

X6 T4i LWB (2014-) - RP76 - X6.480

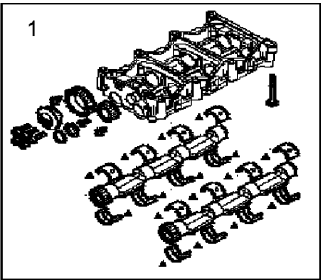
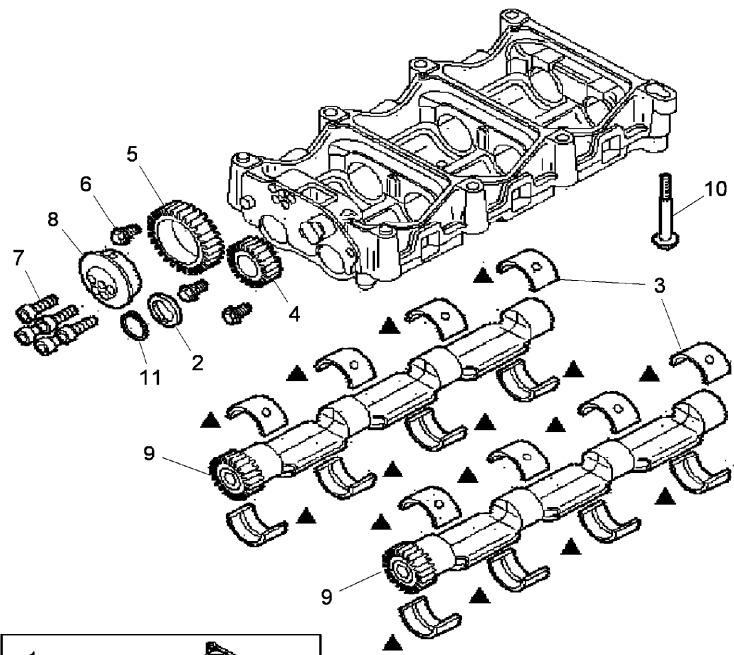
RP76\00045416.png

A-05
12



A0512

Additional masses



- 1 6528805M1
- 2 6528783M1
- 3 6528844M1
- 4 6528782M1
- 5 6528781M1
- 6 3688799M1
- 7 6528769M1
- 8 6528775M1
- 9 6528801M1
- 10 6528784M1
- 10 705020A1
- 11 6528766M1

Inglese

- 1 Support
- 1 Lock washer
- 1 Bush
- 1 Gear
- 1 Gear
- 3 Screw
- 5 Screw
- 1 Shaft
- 2 Shaft
- 1 Screw
- 7 Screw
- 1 Shackle

Engine

X6 T4i LWB (2014-) - RP76 - X6.480

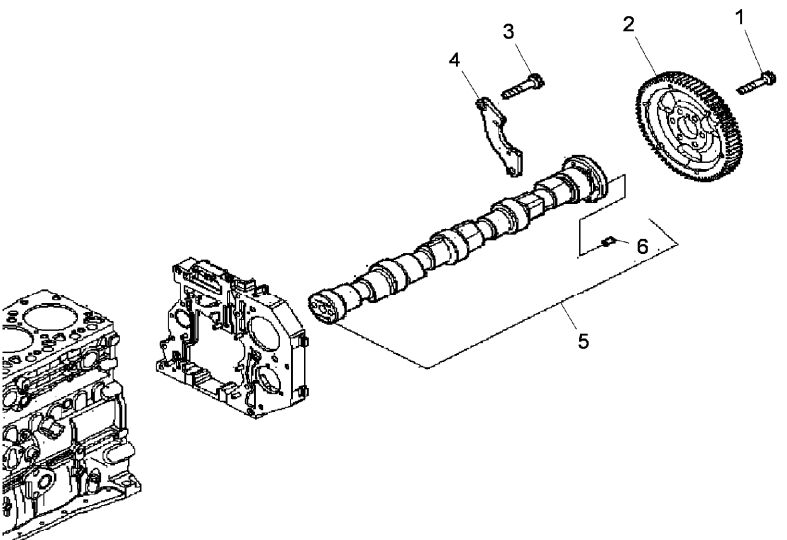
RP76\00045417.png

A-05
13



A0513

Timing parts



- 1 3688856M1
- 2 6528770M1
- 3 3688854M1
- 4 3688818M1
- 5 6528813M1
- 6 3688857M1

- ◄► M8x17
- 704997A1(2)
- 704931A1(1)
- 705005A1(1)

◄► Length
● Replacement

Inglese

- 6 Screw
- 1 Gear
- 2 Screw
- 1 Stirrup
- 1 Shaft
- 1 Screw

Engine

X6 T4i LWB (2014-) - RP76 - X6.480

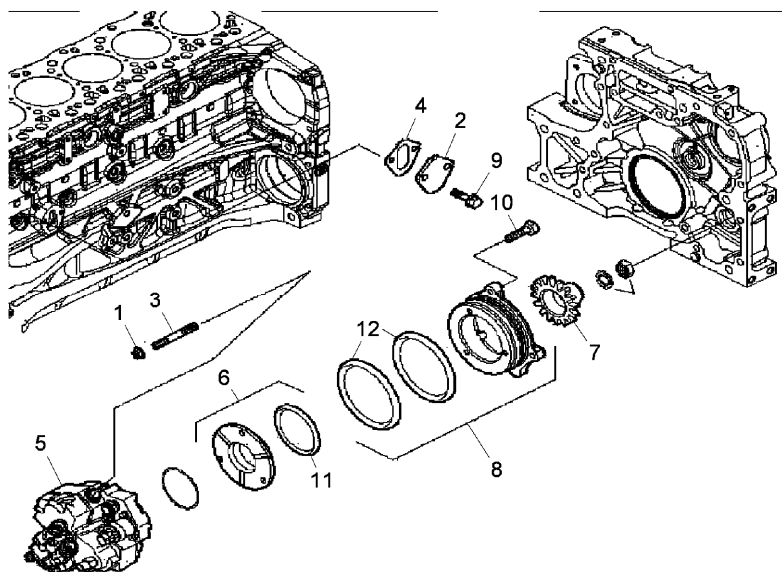
A-05
14



A0514

Fuel injection equipment

RP76\00045418.png



- 1 3688948M1
- 2 3688811M1 ● 704911A1(1)
- 3 3688680M1
- 4 3688642M1 ● 704684A1(1)
- 5 6513428M91 ● 704975A2(1)
- 6 3688613M1
- 7 3688805M1
- 8 3688614M1
- 9 3688941M1 ● 710625A1(2)
- 10 3688853M1 ◄ M8x30
- 11 3688998M1 72,63x3,53
- 12 3689000M1 120,24x3,53

Inglese

- 3 Nut
- 1 Coperch.
- 3 Screw
- 1 Gasket
- 1 Pump
- 1 Spacer
- 1 Gear
- 1 Spacer
- 2 Screw
- 3 Screw
- 1 Ring
- 2 Ring

- ◄ Length
- Replacement

Engine

X6 T4i LWB (2014-) - RP76 - X6.480

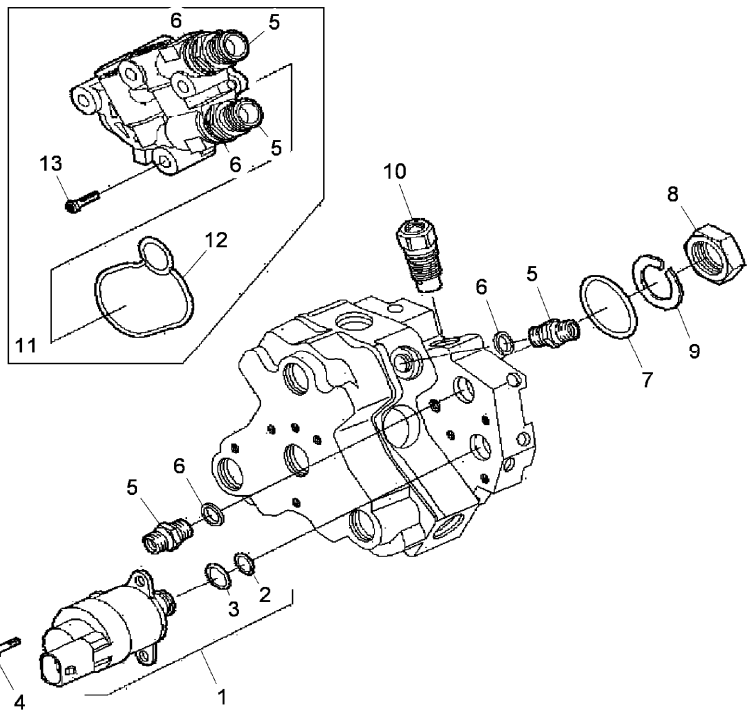
RP76\00045419.png

A-05
15



A0515

Injection pump (componenti)



			Inglese
1	3689009M1		1 Adjuster
2	3689007M1	! 1	1 Ring
3	3689008M1	! 1	1 Ring
4	6525661M1		3 Screw
5	6501374M1		4 Union
6	3689015M2		4 Gasket
7	3689012M1		1 Ring
8	3688641M1	● 704682A1(1)	1 Nut
9	3688990M1	● 707359A1(1)	1 Washer
10	6525663M1		1 Valve
11	3689010M2		1 Pump
12	6501370M1	! 11	1 Ring
13	6525662M1	! 11	4 Screw
!			This is a component of an assembly
●			Replacement

Engine

X6 T4i LWB (2014-) - RP76 - X6.480

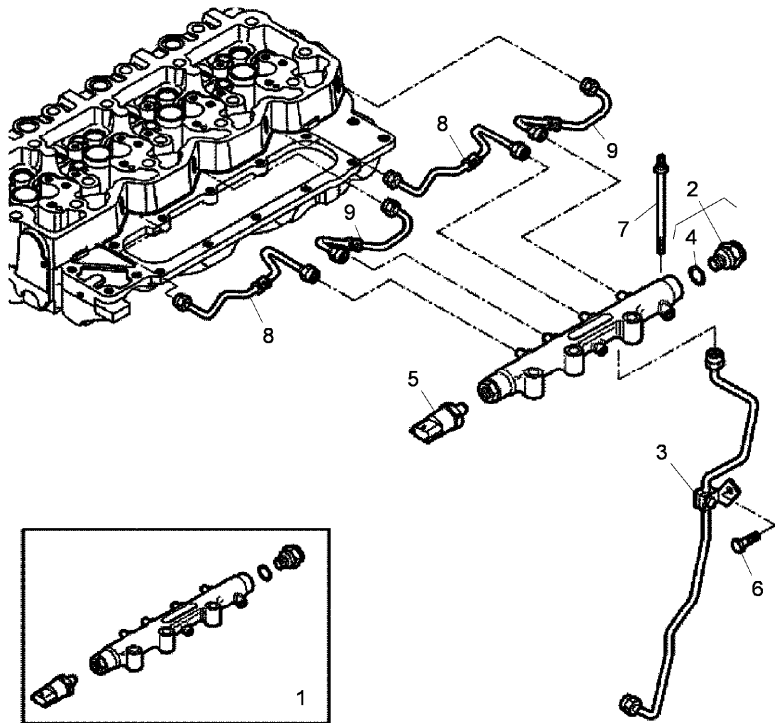
RP76\00045420.png

A-05
16



A0516

Accumulator hydraulic



- 1 6528814M1
 - 2 3689078M2 ! 1
 - 3 6528811M1
 - 4 4218938M1 ! 1
 - 5 3689100M2 ! 1
 - 6 3688941M1 ● 710625A1(1)
 - 7 3689029M1 ● 705148A1(3)
 - 8 6528812M1
 - 9 4218887M1
- ! This is a component of an assembly
 ● Replacement

Inglese

- 1 Accumulator
- 1 Valve
- 1 Pipe
- 1 Ring
- 1 Sensor
- 1 Screw
- 3 Screw
- 2 Pipe
- 2 Pipe

Engine

X6 T4i LWB (2014-) - RP76 - X6.480

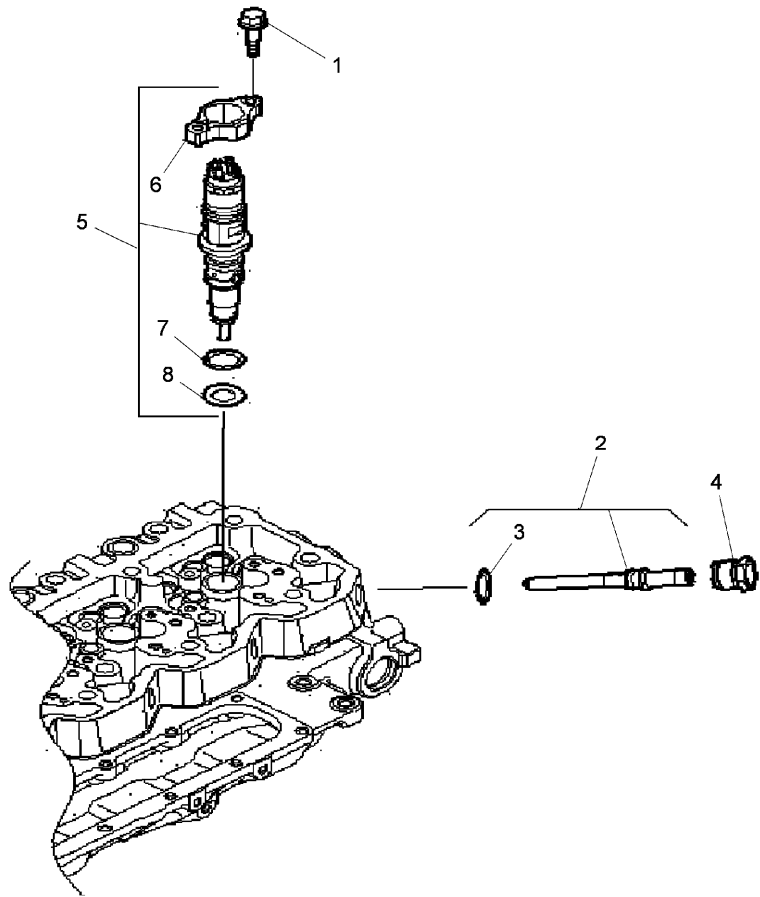
RP76\00045421.png

A-05
17



A0517

Nozzles



- 1 3688798M1
- 2 3689089M1
- 3 3688649M1 ! 2
- 4 3688688M1
- 5 3689103M1
- 6 3689084M1 ! 5
- 7 3688648M1 ! 5
- 8 3688876M1 ! 5

Inglese

- 8 Screw
- 4 Pipe
- 1 Ring
- 4 Nut
- 4 Nozzle
- 1 Stirrup
- 1 Ring
- 1 Washer,locking

! This is a component of an assembly

Engine

X6 T4i LWB (2014-) - RP76 - X6.480

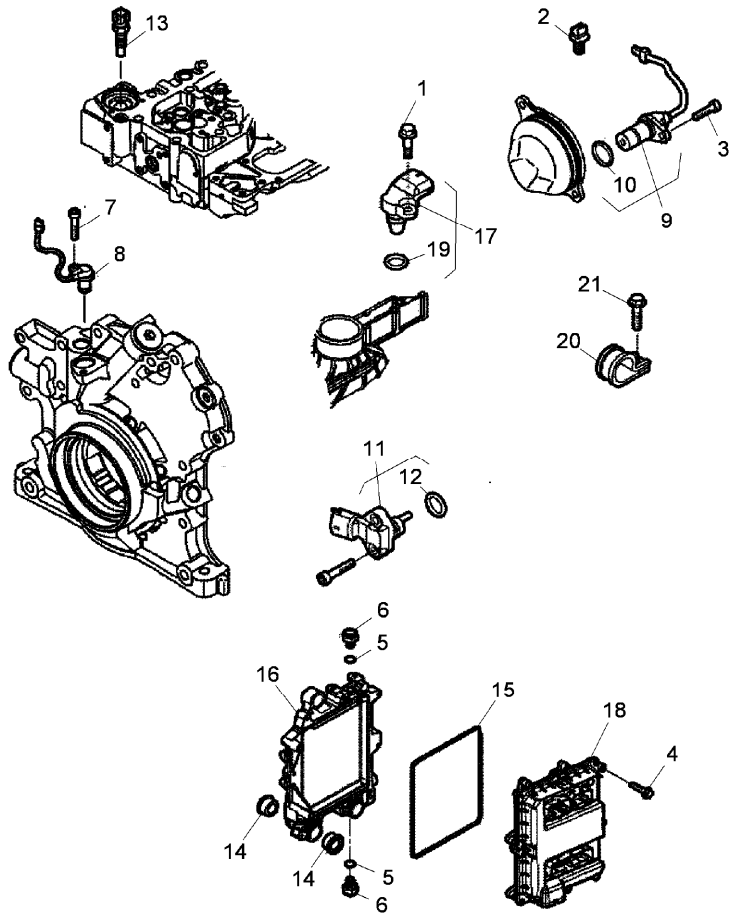
RP76\00045422.png

**A-05
18**



A0518

Electronic control unit



		Inglese	
1	3688801M1	◄► M6x20	1 Screw
2	6513422M1		2
3	4206391M1		1 Screw
4	3688931M1	◄► M6x30	8 Screw
5	4206399M1		2 Ring
6	3688650M1		2 Union
7	3688866M1	● 705021A1(3)	3 Screw
8	3689028M1		1 Sensor
9	3688814M1		1 Sensor
10	3688993M1	! 9 17,17x1,78	1 Ring
11	3688640M2	A B	1 Cutout
12	3688797M1	! 11 13,94x2,62	1 Ring
13	3688813M1	C	1 Sensor
14	3689019M1		6 Spacer
15	3689053M1		1 Gasket
16	3689086M1		1 Support
17	6513418M91	D E	1 Sensor
18	3688920M1	● N.L.S.(1)	1 Centralizer
19	4206392M1	! 17	1 Ring
20	3689002M1	● 704595A1(2)	2 Collar
21	3688932M1		2 Screw

Engine

X6 T4i LWB (2014-) - RP76 - X6.480

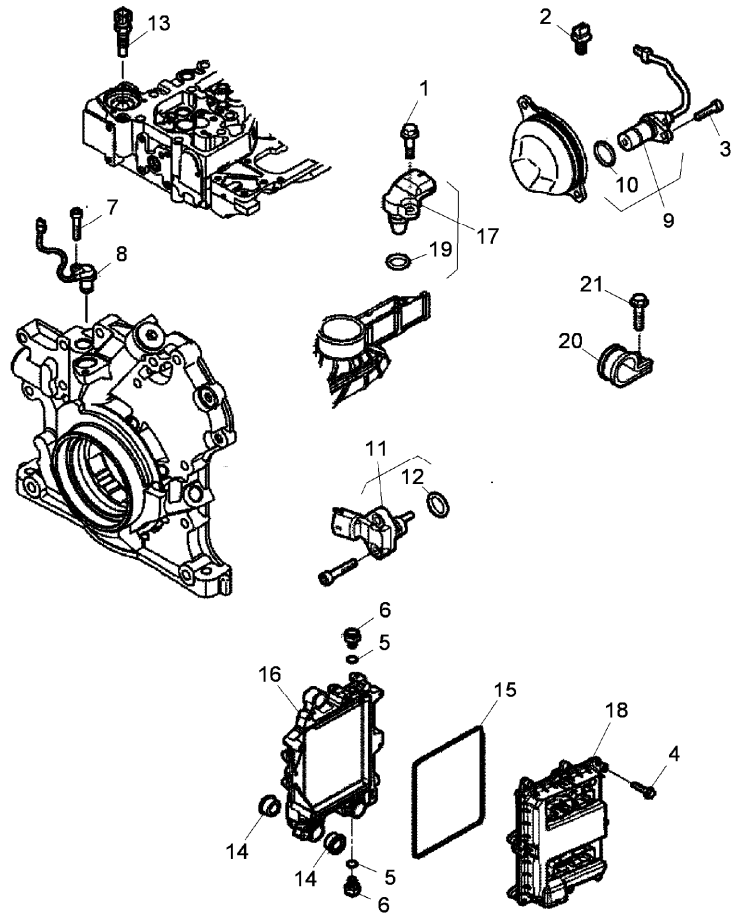
RP76\00045422.png

A-05
18



A0518

Electronic control unit



- ! This is a component of an assembly
- ◄ Length
- Replacement
- A Oil pressure
- B Oil temperature
- C Water temperature
- D Air pressure
- E Air temperature

Engine

X6 T4i LWB (2014-) - RP76 - X6.480

RP76\00045423.png

A-05
19



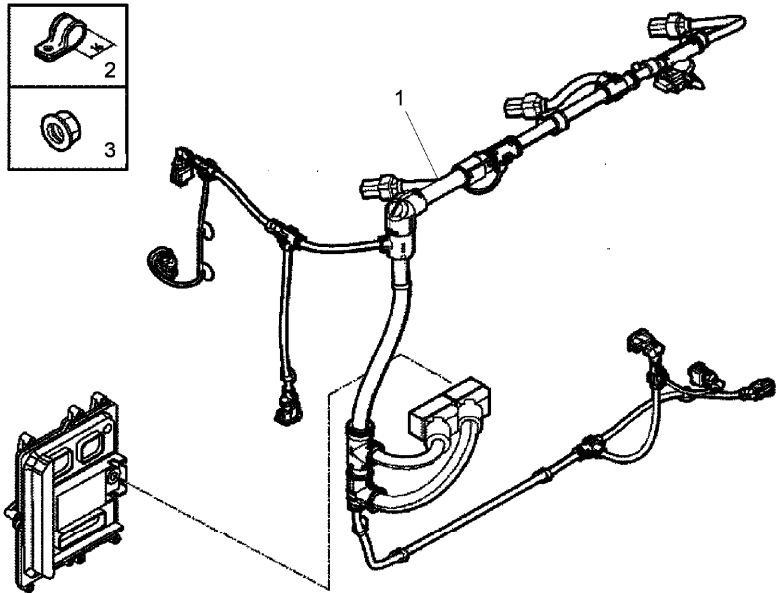
A0519

Engine wiring

- 1 6528830M1
- 2 714944A1
- 3 6528767M1

Inglese

- 1 Wiring harness
- 2 Screw
- 2 Nut



Engine

X6 T4i LWB (2014-) - RP76 - X6.480

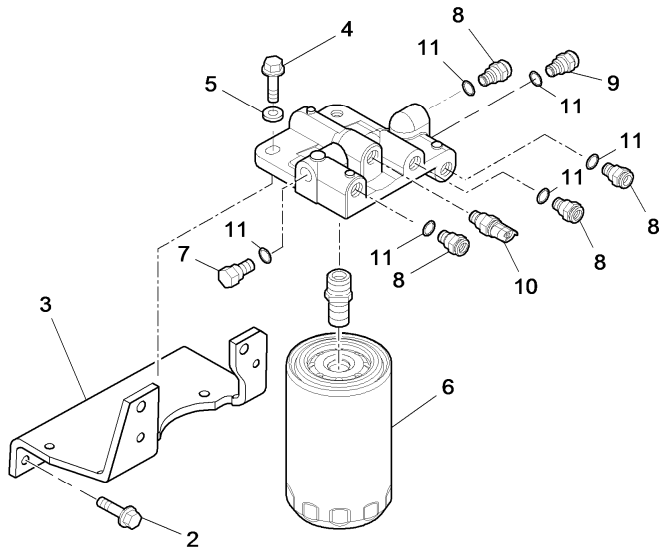
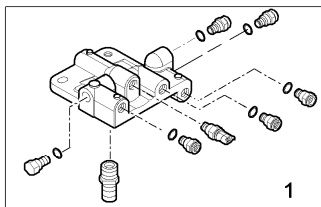
RP76\00046580.png

A-05
20



A0520

Fuel filter



- 1 705297A1
 - 2 3688941M1 ◀▶ M8x20 mm
 - 3 4218939M1 ● 710625A1(4)
 - 4 704647A1
 - 5 704645A1
 - 6 6513425M1
 - 7 704734A1
 - 8 3688650M1
 - 9 3688808M1 ● 704895A1(1)
 - 10 3688813M1 A
 - 11 3688754M1
- ◀▶ Length
● Replacement
A Water temperature

Inglese

- 1 Support
- 4 Screw
- 1 Support
- 2 Screw
- 2 Washer
- 1 Cartridge
- 1 Plug
- 4 Union
- 1 Union
- 1 Sender
- 6 Ring

Engine

X6 T4i LWB (2014-) - RP76 - X6.480

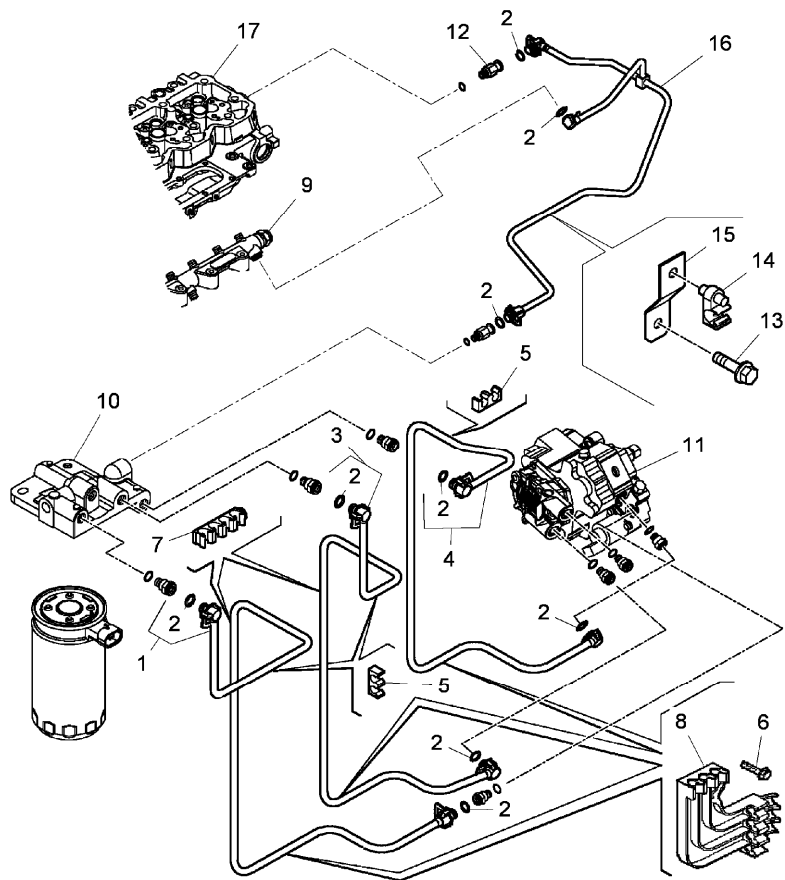
A-05
21



A0521

Fuel lines

RP76\00042146.png



Inglese

- | | | | |
|----|-----------|---|-----------|
| 1 | 707440A1 | | 1 Pipe |
| 2 | 3688690M1 | | 9 O ring |
| 3 | 707441A1 | | 1 Pipe |
| 4 | 707442A1 | | 1 Pipe |
| 5 | 6513427M1 | | 3 Spring |
| 6 | 3688817M1 | ● | 1 Screw |
| 7 | 6513429M1 | | 2 Spring |
| 8 | 6525650M1 | | 1 Stirrup |
| 9 | | ◊ | A-05 16 1 |
| 10 | | ◊ | A-05 20 1 |
| 11 | | ◊ | A-05 14 5 |
| 12 | 3688806M1 | | 1 Valve |
| 13 | 3688932M1 | ◄ | M8x16 mm |
| 14 | 705191A1 | | 1 Clip |
| 15 | 705352A1 | | 1 Stirrup |
| 16 | 714715A1 | | 1 Pipe |
| 17 | | ◊ | A-05 05 3 |

◊ See page - reference number

◄ Length

● Replacement

Engine

X6 T4i LWB (2014-) - RP76 - X6.480

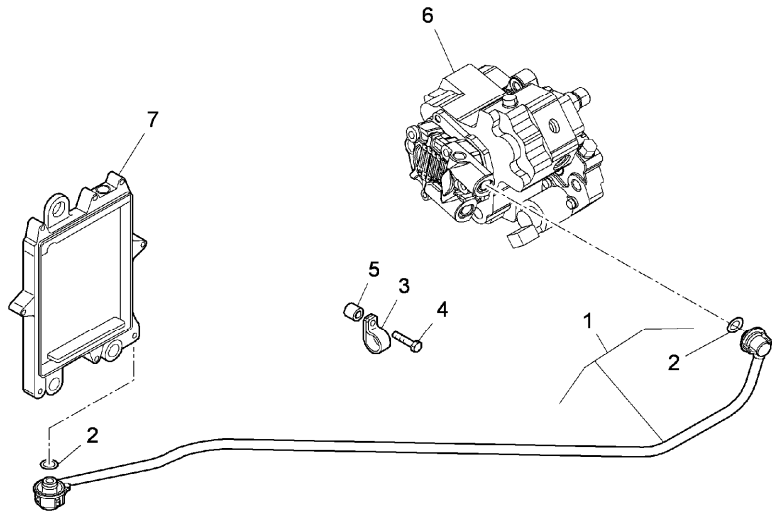
RP76\00006715.png

A-05
22



A0522

Fuel lines



- | | | | | | |
|----|------------------------------------|----|------------|---------|-----------|
| 1 | 707417A1 | | | Inglese | 1 Pipe |
| 2 | 3688690M1 | ! | 1 | | 2 O ring |
| 3 | 3689003M1 | | | | 1 Stirrup |
| 4 | 3688853M1 | ◄► | M8x30 mm | | 1 Screw |
| 5 | 704599A1 | | | | 1 Washer |
| 6 | | ◁▷ | A-05 14 5 | | 1 Pump |
| 7 | | ◁▷ | A-05 18 16 | | 1 Support |
| ! | This is a component of an assembly | | | | |
| ◁▷ | See page - reference number | | | | |
| ◄► | Length | | | | |



Suggest:

For more complete manuals. Please go to the home page.

<https://www.ebooklibonline.com>

If the above button click is invalid. Please download this document first, and then click the above link to download the complete manual.

Thank you so much for reading

Engine

X6 T4i LWB (2014-) - RP76 - X6.480

RP76\00045427.png

A-05
23



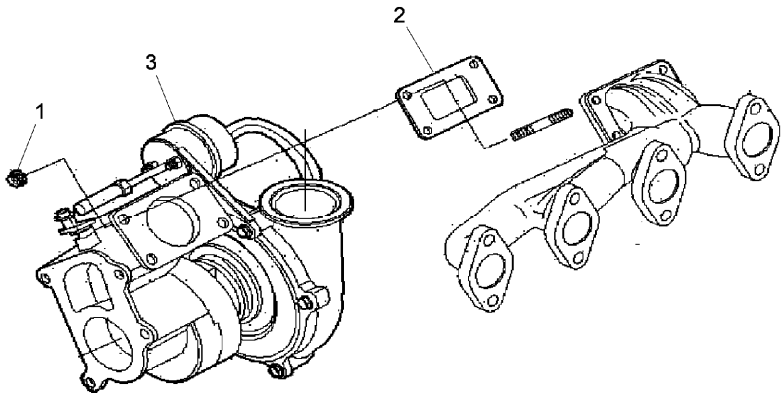
A0523

Turbocharger

- 1 6528789M1
- 2 6528779M1
- 3 6528825M91

Inglese

- 4 Nut
- 1 Gasket
- 1 Turbine



Engine

X6 T4i LWB (2014-) - RP76 - X6.480

RP76\00045428.png

A-05
24



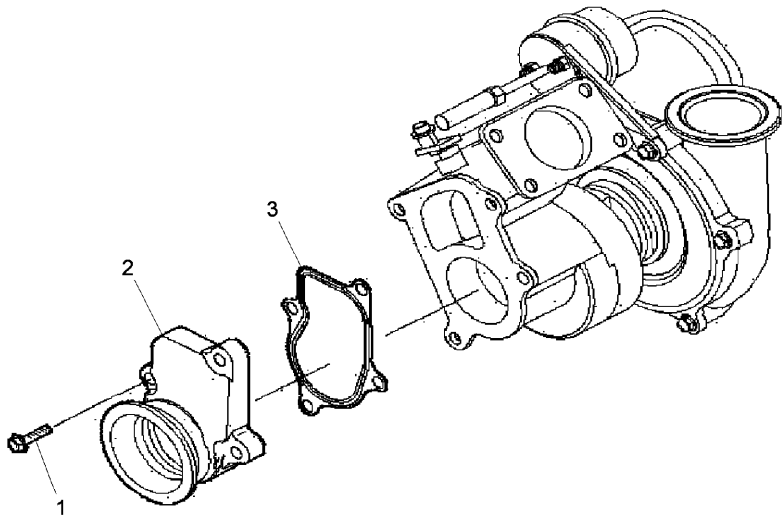
A0524

Entry air pipe

- 1 6528785M1
- 2 6528791M1
- 3 6528792M1

Inglese

- 4 Screw
- 1 Flange
- 1 Gasket



<https://www.ebooklibonline.com>

Hello dear friend!

Thank you very much for reading.

Enter the link into your browser.

The full manual is available for immediate download.

<https://www.ebooklibonline.com>