

Engine

X6 T4i LWB (2014-) - RP76 - X6.470

RP76\00044743.png

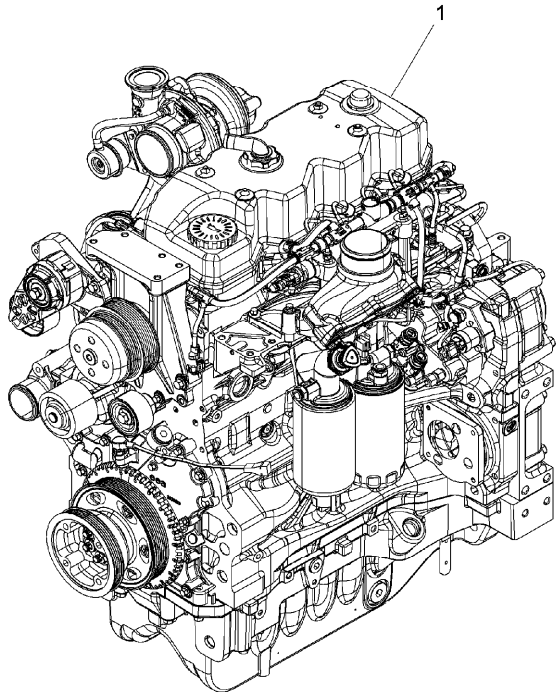
A-05
01



A0501

Engine assembly

		Inglese	
1	6521506M91	"fpt nef" 115kw	1 Engine
1	6528404M91	"fpt nef" 115 kw	1 Engine
A			
A	Pre-built		



Engine

X6 T4i LWB (2014-) - RP76 - X6.470

RP76\00045403.png

A-05
015



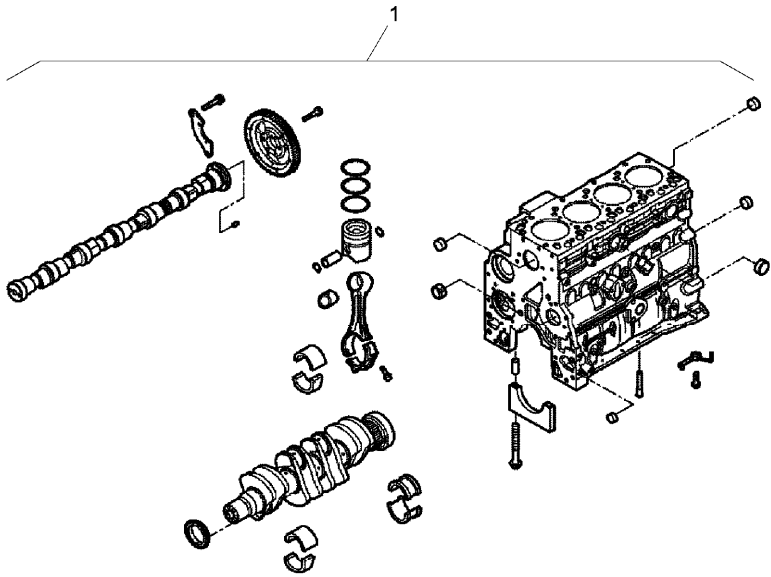
A05015

Short engine

1 6528827M91

Inglese

1 Short engine



Engine

X6 T4i LWB (2014-) - RP76 - X6.470

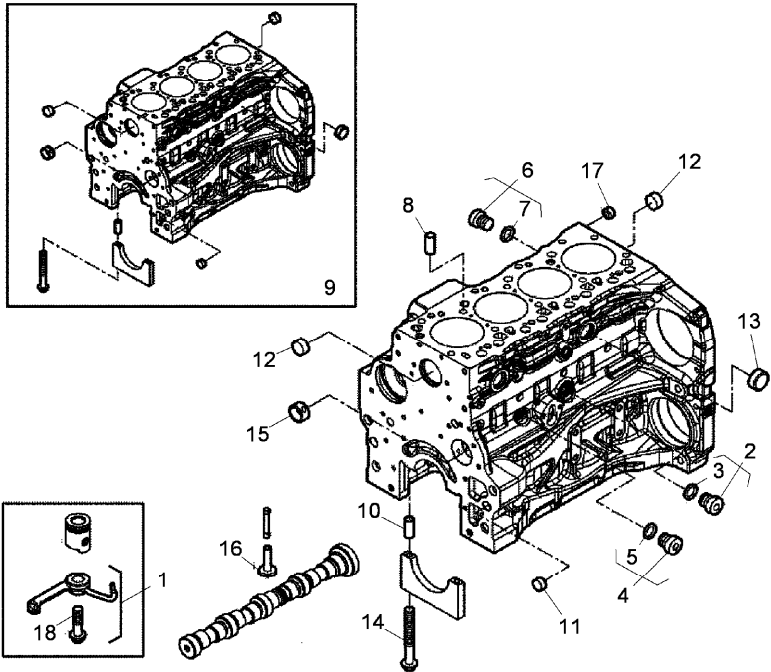
RP76\00045404.png

A-05
02



A0502

Crankcase



		Inglese
1	3689030M1	4 Splasher
2	3689350M1 ●	1 Plug
3	3688868M1 ! 2	1 Ring
4	3688822M1 ●	2 Plug
5	3688855M1 ! 4	1 Ring
6	3688780M1 ●	1 Plug
7	3688781M1 ! 6	1 Ring
	● 707405A1(1)	
8	3688760M1	2 Screw
9	6528772M91	1 Base
10	3688824M1 ●	10 Screw
11	3688758M1	2 Plug
12	3688757M1	4 Plug
13	3688775M1	2 Plug
14	3688673M1 ◄ M12x120	10 Screw
	● 704696A1(10)	
15	3688759M1	1 Bearing
16	3688877M1	8 Plate
17	3688628M1	1 Splasher
18	6528835M1 ! 1	1 Filler
!	This is a component of an assembly	
◄	Length	
●	Replacement	

<https://www.ebooklibonline.com>

Hello dear friend!

Thank you very much for reading.

Enter the link into your browser.

The full manual is available for immediate download.

<https://www.ebooklibonline.com>

Engine

X6 T4i LWB (2014-) - RP76 - X6.470

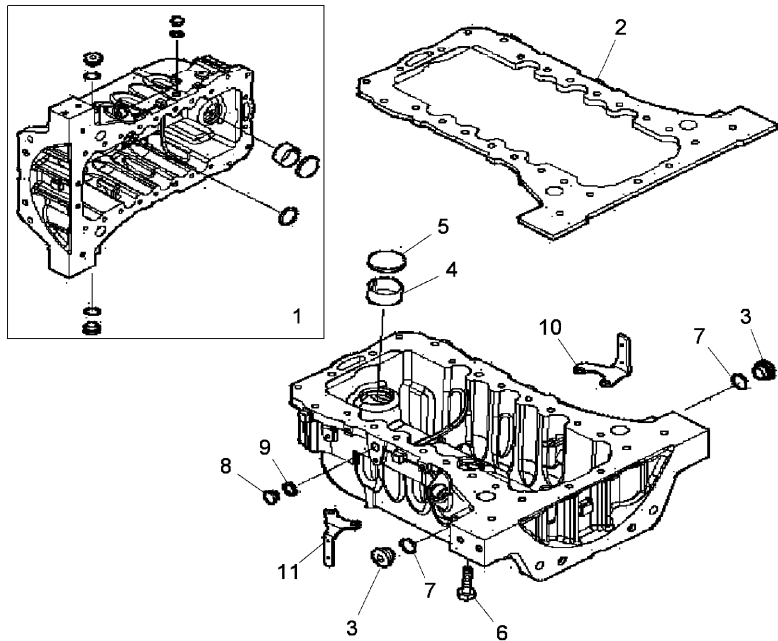
RP76\00045405.png

A-05
03



A0503

Oil sump



- 1 6528843M91
- 2 6528778M1
- 3 3688691M1
- 4 3688803M1
- 5 3688804M1
- 6 3688678M1
- 6 3688679M1
- 6 3688778M1
- 6 4208118M1
- 7 3688997M1
- 8 4208121M1
- 9 6528826M1
- 10 4208119M1
- 11 4208120M1

- ◆◆ M10x190
- ◆◆ M10x90

◆◆ Length

Inglese

- 1 Pan
- 1 Gasket
- 2 Plug
- 1 Filter
- 1 Plug
- 2 Screw
- 18 Screw
- 2 Screw
- 4 Screw
- 2 Ring
- 1 Plug
- 1 Gasket
- 1 Stirrup
- 1 Stirrup

Engine

X6 T4i LWB (2014-) - RP76 - X6.470

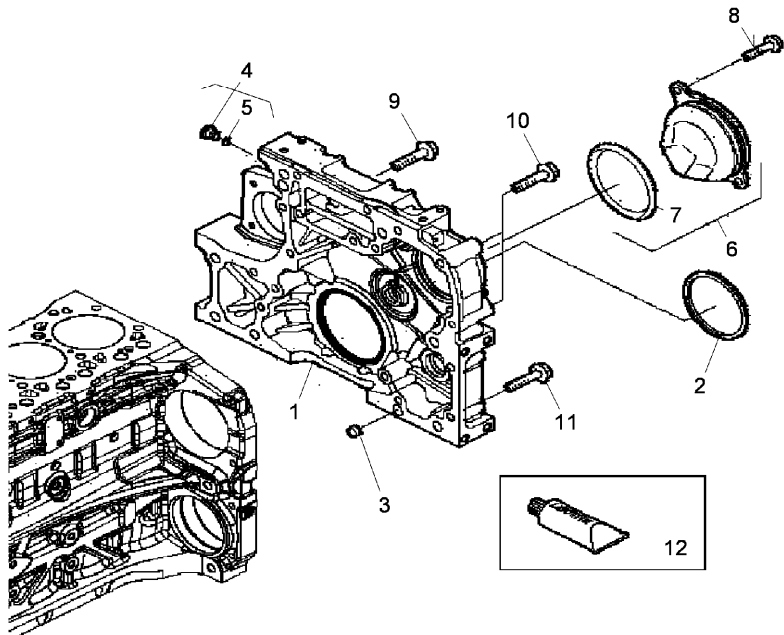
RP76\00045406.png

A-05
04



A0504

Crankcase covers



- | | | | | | |
|----|-----------|---|----------------|---------|--------------|
| 1 | 4206380M1 | | | Inglese | 1 Coperch. |
| 2 | 6525730M1 | ● | 6514306M1(1) | | 1 Ring |
| 3 | 3688753M1 | | | | 2 Screw |
| 4 | 3688780M1 | ● | 704848A1(1) | | 1 Plug |
| 5 | 3688781M1 | ! | 4 | | 1 Ring |
| | | ● | 707405A1(1) | | |
| 6 | 4206381M1 | | | | 1 Coperch. |
| 7 | 3689092M1 | ! | 6 | | 1 Ring |
| 8 | 3688799M1 | | | | 2 Screw |
| 9 | 3688671M1 | | | | 15 Screw |
| 10 | 3688869M1 | | | | 2 Screw |
| 11 | 3688874M1 | | | | 1 Screw |
| 12 | 3688632M1 | ● | 3688632M2(999) | | 999 Adhesive |

! This is a component of an assembly
 ● Replacement

Engine

X6 T4i LWB (2014-) - RP76 - X6.470

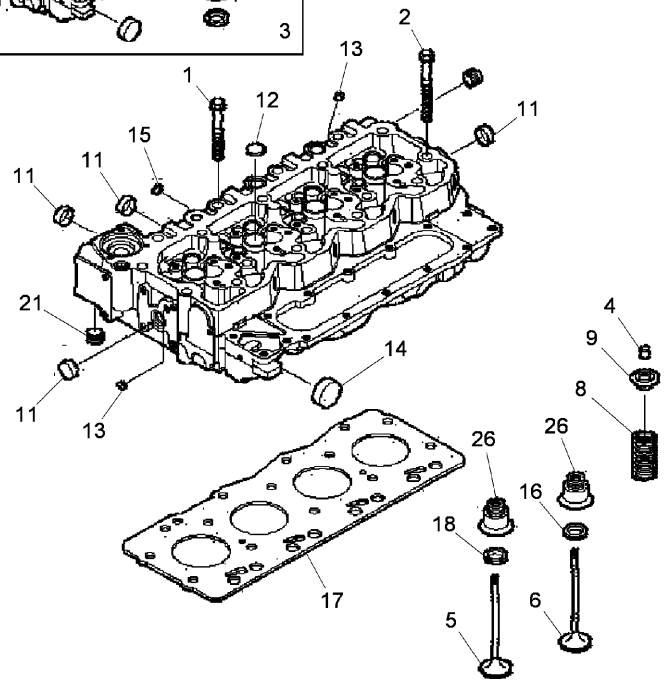
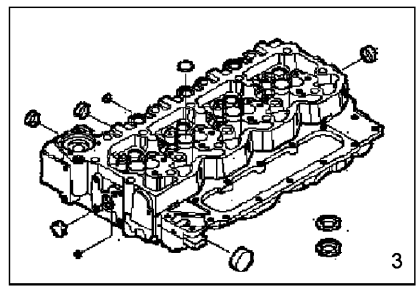
RP76\00045407.png

A-05
05



A0505

Head cylinder



- | | | | | | |
|----|-----------|----|---------|----|------------|
| 1 | 3688651M1 | ◄► | M12x130 | 8 | Screw |
| 2 | 3688652M1 | ◄► | M12x150 | 10 | Screw |
| 3 | 6528776M1 | | | 1 | Head |
| 4 | 3688858M1 | | | 32 | Cone |
| 5 | 3688761M1 | | | 8 | Valve |
| 6 | 3688762M1 | | | 8 | Valve |
| 8 | 6513397M1 | | | 16 | Spring |
| 9 | 3688766M1 | | | 16 | Cup |
| 11 | 3688768M1 | | | 9 | Plug |
| 12 | 3688769M1 | | | 7 | Plug |
| 13 | 3688782M1 | | | 5 | Plug |
| 14 | 3688794M1 | | | 1 | Plug |
| 15 | 3688795M1 | | | 2 | Plug |
| 16 | 704941A1 | | | 8 | Shim |
| 17 | 6528771M1 | | | 1 | Gasket |
| 18 | 704914A1 | | | 8 | Valve seat |
| 21 | 3688683M1 | | | 2 | Plug |
| 26 | 3688622M1 | | | 16 | Cap |
| ◄► | Length | | | | |

Inglese

Engine

X6 T4i LWB (2014-) - RP76 - X6.470

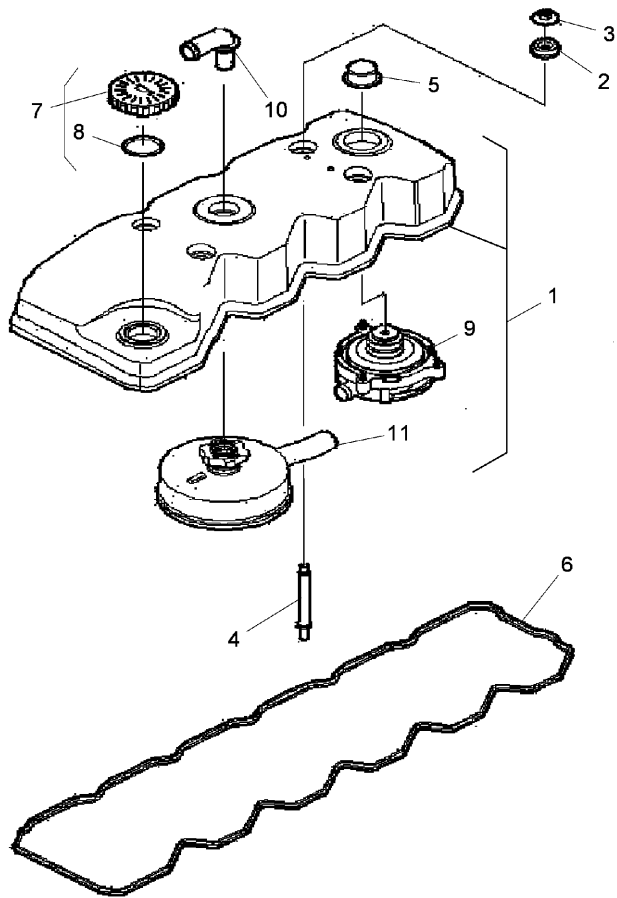
RP76\00045408.png

A-05
06



A0506

Cylinder head cover



- | | | | | | |
|----|------------|---|--------------|---|----------|
| 1 | 6528806M1 | ● | 6531119M1(1) | 1 | Coperch. |
| 2 | 3689040M1 | | | 4 | Spacer |
| 3 | 3689057M1 | | | 4 | Nut |
| 4 | 4206386M1 | | | 4 | Screw |
| 5 | 6528809M1 | | | 1 | Cap |
| 6 | 6528794M1 | | | 1 | Gasket |
| 7 | 6513399M91 | | | 1 | Plug |
| 8 | 3689016M1 | | | 1 | Gasket |
| 9 | 6528819M1 | ! | 1 | 1 | Valve |
| 10 | 4206385M1 | ! | 1 | 1 | Union |
| 11 | 4206384M1 | ! | 1 | 1 | Breather |

! This is a component of an assembly
 ● Replacement

Inglese

Engine

X6 T4i LWB (2014-) - RP76 - X6.470

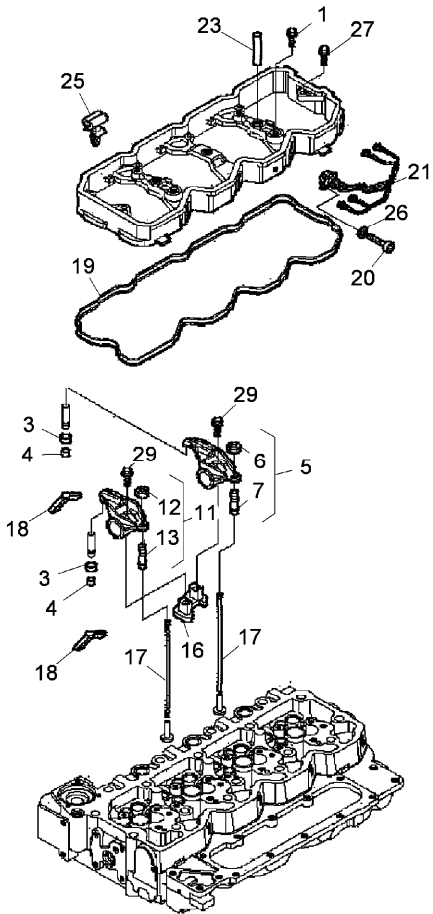
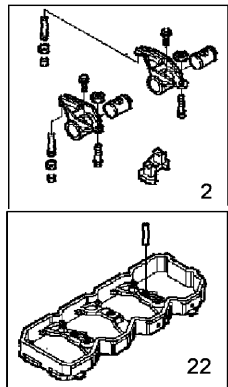
RP76\00045409.png

A-05
07



A0507

Rocker shaft



1	3688796M1	●	704858A1(3)	3	Screw
2	6503095M2			4	Shaft
3	6513400M1			8	Cup
4	6513401M1			8	Skate
5	6513402M91			4	Rocker
6	6513403M1	!	5	2	Nut
7	6513404M1	!	5	2	Screw
11	6513405M91			4	Rocker
12	6513403M1	!	11	2	Nut
13	6513404M1	!	11	2	Screw
16	6513406M1			4	Support
17	3688756M1			8	Rod
18	3689067M1			8	Lever
19	6528795M1			1	Gasket
20	6528765M1	◄	M6x16	2	Screw
21	6525644M1			2	Cable
22	6528786M1			1	Spacer
23	3688871M1	●	705039A1(3)	3	Bush
25	3689037M1	●	705197A1(4)	4	Spring
26	3688950M1	●	707347A1(2)	2	Lock washer
27	3688863M1	●	705011A1(2)	2	Screw
28	6525644M1			2	Cable
29	3688609M1	●	704622A1(8)	8	Screw
!	This is a component of an assembly				
◄	Length				

Engine

A-05
07

Rocker shaft

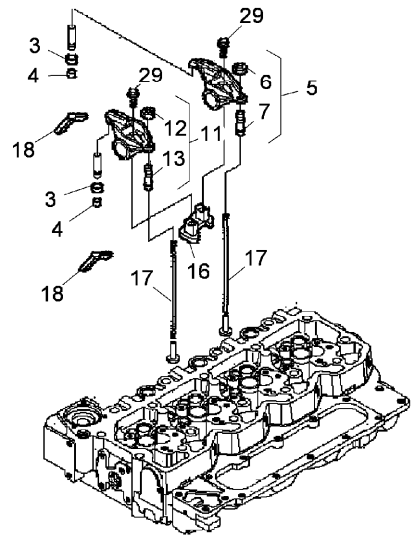
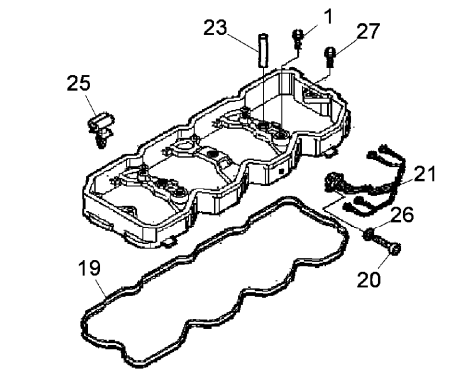
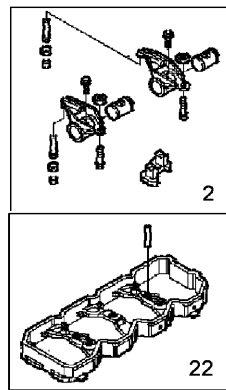
X6 T4i LWB (2014-) - RP76 - X6.470



A0507

RP76\00045409.png

● Replacement



Engine

X6 T4i LWB (2014-) - RP76 - X6.470

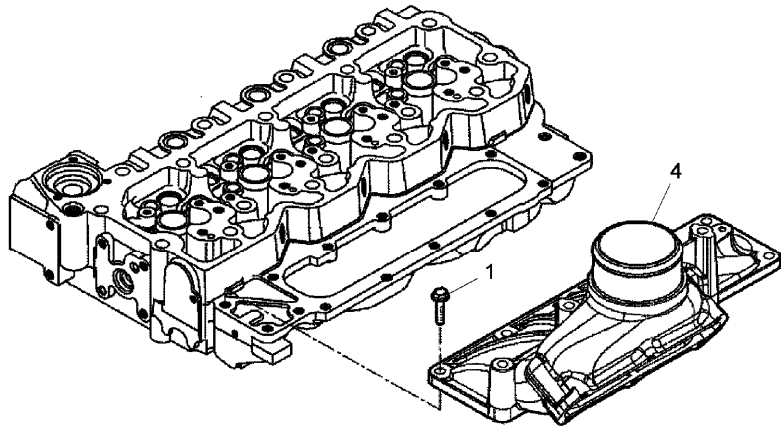
RP76\00045410.png

A-05
08



A0508

Induction manifold



- 1 3688796M1 ● 704858A1(1)
- 1 3688850M1
- 3 6500933M1
- 7 6528804M1
- Replacement

Inglese

- 1 Screw
- 6 Screw
- 999 Loctite
- 1 Duct

Engine

X6 T4i LWB (2014-) - RP76 - X6.470

RP76\00045413.png

A-05
09



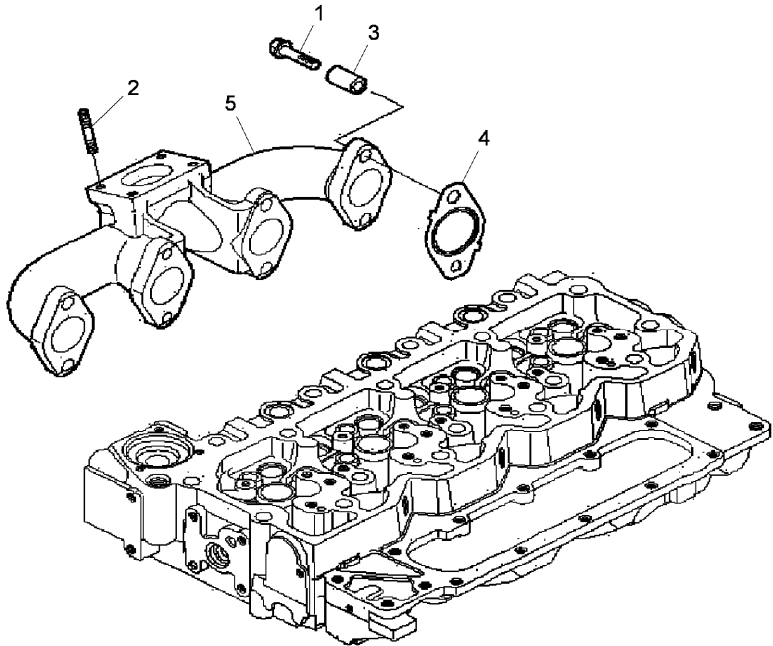
A0509

Exhaust manifold

- 1 3688774M2
- 2 6528848M1
- 3 6528780M1
- 4 3689062M1
- 5 6528833M1

Inglese

- 8 Screw
- 4 Screw
- 8 Spacer
- 4 Gasket
- 1 Manifold



Engine

X6 T4i LWB (2014-) - RP76 - X6.470

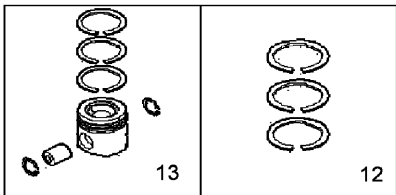
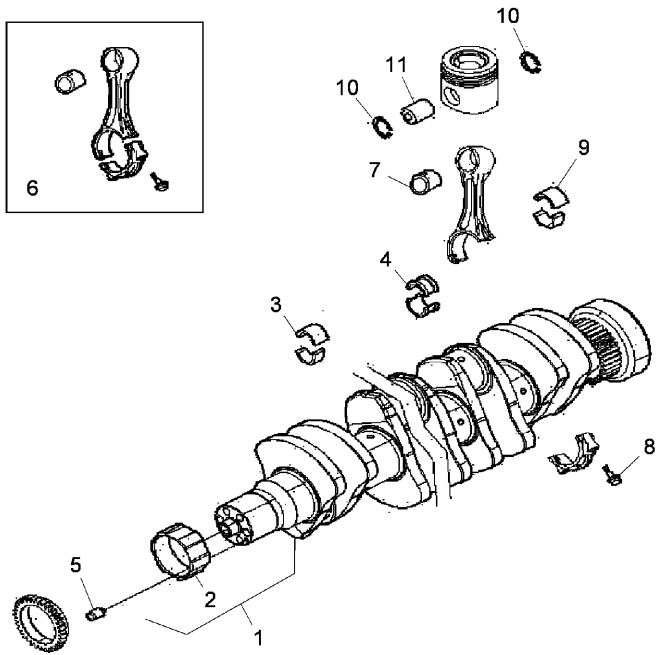
RP76\00045414.png

A-05
10



A0510

Crank shaft - connecting rods



- 1 6528815M1
- 2 4206387M1
- 3 3688637M1
- 3 3688638M1 ✕ -0,250 mm
- 3 3688639M1 ✕ -0,500 mm
- 4 3688634M1
- 4 3688635M1 ✕ -0,250 mm
- 4 3688636M1 ✕ -0,500 mm
- 5 3688851M1 ● 704992A1(1)
- 6 3688624M1
- 7 3688675M1 ! 6
- 8 3688623M1 ! 10
- 9 3688880M1
- 9 4206388M1 ✕ -0,250 mm
- 9 4206389M1 ✕ -0,500 mm
- 10 3689087M1
- 11 3688676M1
- 12 3688921M1
- 12 3688923M92 ✕ +0,400 mm
- 713981A1(4)
- 13 4208130M1
- 13 6513409M91 ✕ +0,400 mm

Inglese

- 1 Shaft
- 1 Bush
- 4 Cuscinet
- 4 Cuscinet
- 4 Cuscinet
- 1 Cuscinet
- 1 Bearing
- 1 Cuscinet
- 1 Screw
- 4 Conrod
- 1 Bush
- 8 Screw
- 4 Cuscinet
- 4 Cuscinet
- 4 Cuscinet
- 8 Ring
- 4 Pin
- 4 Kit
- 4 Kit
- 4 Piston
- 4 Piston

- ! This is a component of an assembly
- ✕ Shim
- Replacement

Engine

X6 T4i LWB (2014-) - RP76 - X6.470

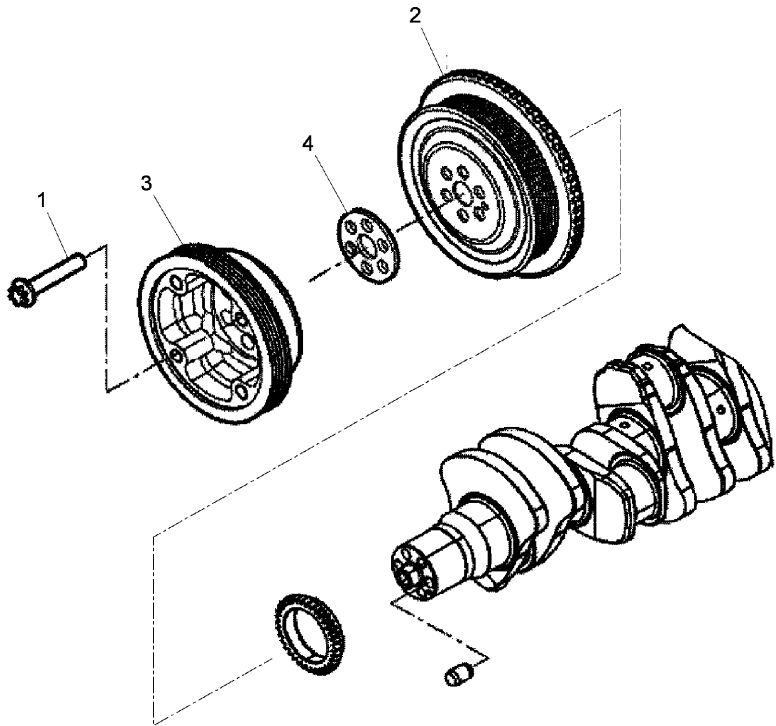
RP76\00045415.png

A-05
11



A0511

Vibration damper



- | | | Inglese |
|---|-------------|--------------|
| 1 | 3688681M1 | 6 Screw |
| 2 | 6528777M1 | 1 Pulley |
| 3 | 6528802M1 | 1 Pulley |
| 4 | 4208158M1 | 1 Spacer |
| ● | Replacement | 6622016M1(1) |

Engine

X6 T4i LWB (2014-) - RP76 - X6.470

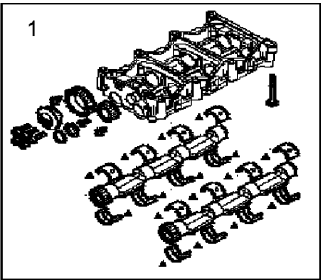
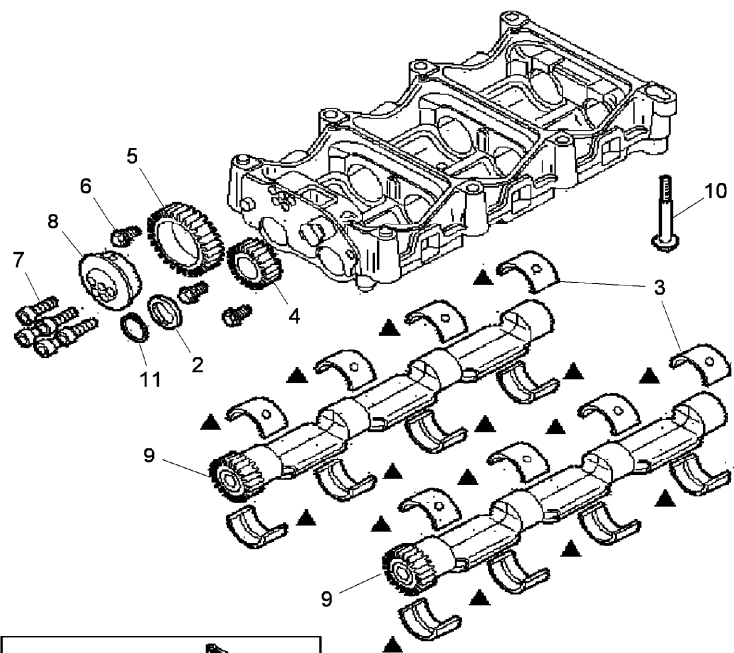
A-05
12



A0512

Additional masses

RP76\00045416.png



- 1 6528805M1
- 2 6528783M1
- 3 6528844M1
- 4 6528782M1
- 5 6528781M1
- 6 3688799M1
- 7 6528769M1
- 8 6528775M1
- 9 6528801M1
- 10 6528784M1
- 10 705020A1
- 11 6528766M1

Inglese

- 1 Support
- 1 Lock washer
- 1 Bush
- 1 Gear
- 1 Gear
- 3 Screw
- 5 Screw
- 1 Shaft
- 2 Shaft
- 1 Screw
- 7 Screw
- 1 Shackle

Engine

X6 T4i LWB (2014-) - RP76 - X6.470

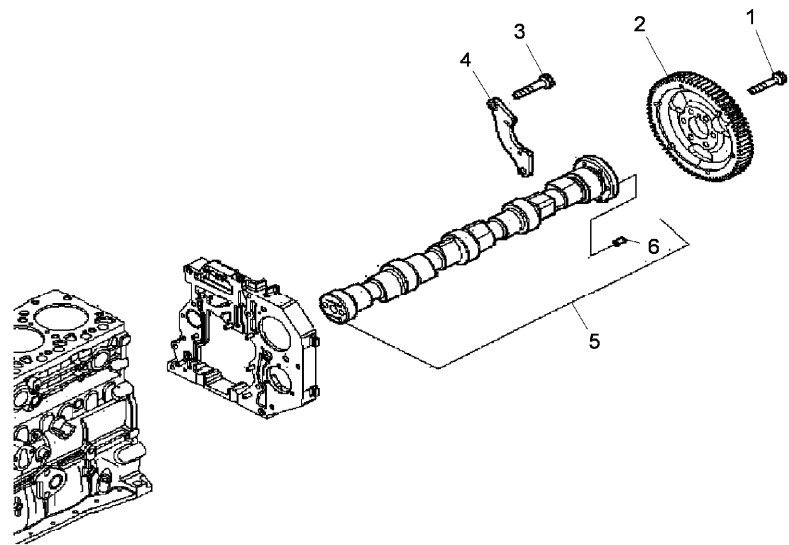
RP76\00045417.png

A-05
13



A0513

Timing parts



- 1 3688856M1
- 2 6528770M1
- 3 3688854M1
- 4 3688818M1
- 5 6528813M1
- 6 3688857M1

- ◄► M8x17
- 704997A1(2)
- 704931A1(1)
- 705005A1(1)

- ◄► Length
- Replacement

Inglese

- 6 Screw
- 1 Gear
- 2 Screw
- 1 Stirrup
- 1 Shaft
- 1 Screw

Engine

X6 T4i LWB (2014-) - RP76 - X6.470

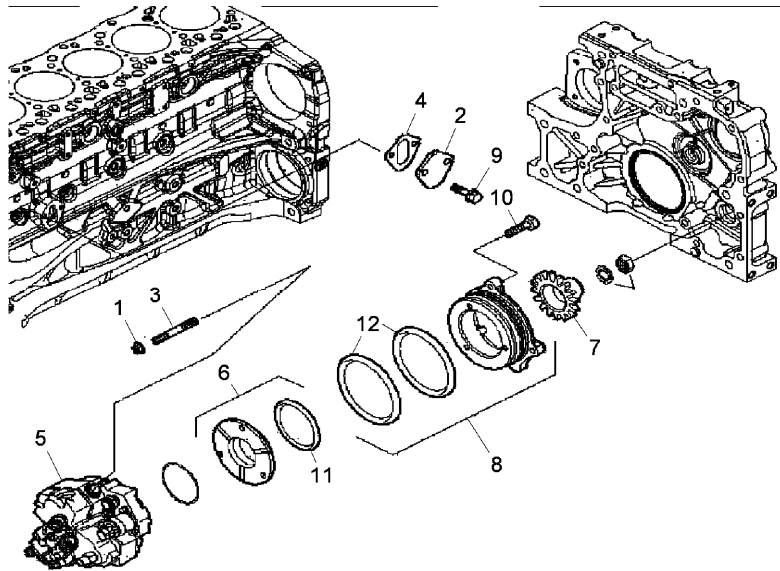
RP76\00045418.png

A-05
14



A0514

Fuel injection equipment



- | | | |
|----|------------|---------------|
| 1 | 3688948M1 | |
| 2 | 3688811M1 | ● 704911A1(1) |
| 3 | 3688680M1 | |
| 4 | 3688642M1 | ● 704684A1(1) |
| 5 | 6513428M91 | ● 704975A2(1) |
| 6 | 3688613M1 | |
| 7 | 3688805M1 | |
| 8 | 3688614M1 | |
| 9 | 3688941M1 | ● 710625A1(2) |
| 10 | 3688853M1 | ◄ M8x30 |
| 11 | 3688998M1 | 72,63x3,53 |
| 12 | 3689000M1 | 120,24x3,53 |

- ◄ Length
● Replacement

Inglese

- | | |
|---|----------|
| 3 | Nut |
| 1 | Coperch. |
| 3 | Screw |
| 1 | Gasket |
| 1 | Pump |
| 1 | Spacer |
| 1 | Gear |
| 1 | Spacer |
| 2 | Screw |
| 3 | Screw |
| 1 | Ring |
| 2 | Ring |

Engine

X6 T4i LWB (2014-) - RP76 - X6.470

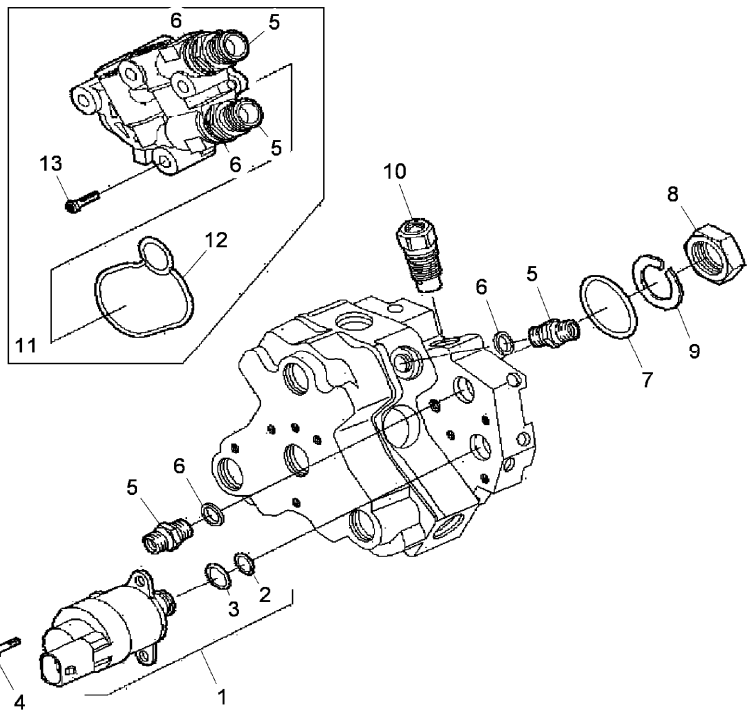
RP76\00045419.png

A-05
15



A0515

Injection pump (componenti)



				Inglese
1	3689009M1			1 Adjuster
2	3689007M1	!	1	1 Ring
3	3689008M1	!	1	1 Ring
4	6525661M1			3 Screw
5	6501374M1			4 Union
6	3689015M2			4 Gasket
7	3689012M1			1 Ring
8	3688641M1	●	704682A1(1)	1 Nut
9	3688990M1	●	707359A1(1)	1 Washer
10	6525663M1			1 Valve
11	3689010M2			1 Pump
12	6501370M1	!	11	1 Ring
13	6525662M1	!	11	4 Screw

! This is a component of an assembly
 ● Replacement

Engine

X6 T4i LWB (2014-) - RP76 - X6.470

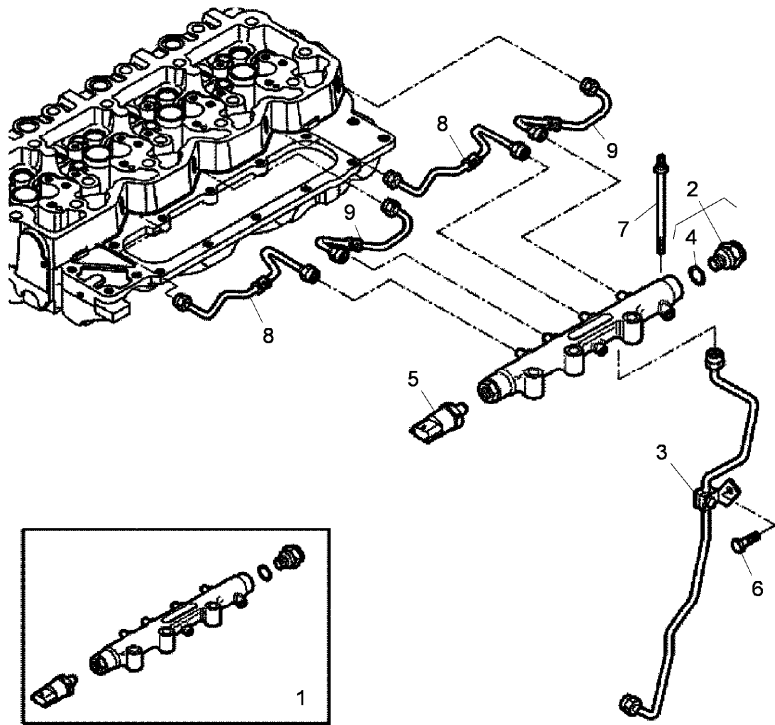
RP76\00045420.png

A-05
16



A0516

Accumulator hydraulic



- 1 6528814M1
 - 2 3689078M2 ! 1
 - 3 6528811M1
 - 4 4218938M1 ! 1
 - 5 3689100M2 ! 1
 - 6 3688941M1 ● 710625A1(1)
 - 7 3689029M1 ● 705148A1(3)
 - 8 6528812M1
 - 9 4218887M1
- ! This is a component of an assembly
 ● Replacement

Inglese

- 1 Accumulator
- 1 Valve
- 1 Pipe
- 1 Ring
- 1 Sensor
- 1 Screw
- 3 Screw
- 2 Pipe
- 2 Pipe

Engine

X6 T4i LWB (2014-) - RP76 - X6.470

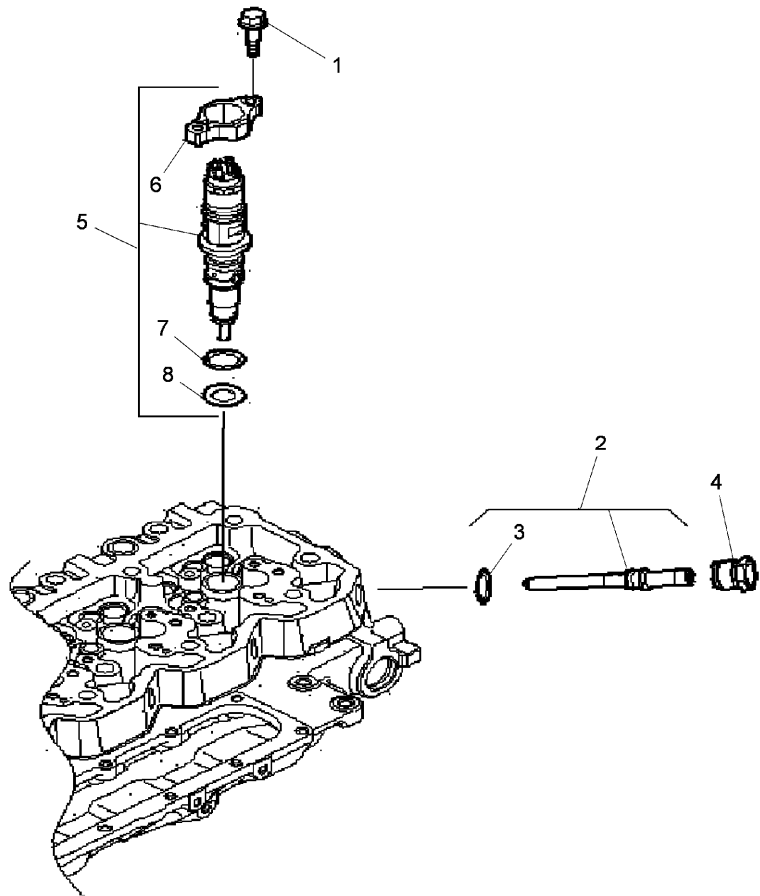
RP76\00045421.png

A-05
17



A0517

Nozzles



- 1 3688798M1
- 2 3689089M1
- 3 3688649M1 ! 2
- 4 3688688M1
- 5 3689103M1
- 6 3689084M1 ! 5
- 7 3688648M1 ! 5
- 8 3688876M1 ! 5

Inglese

- 8 Screw
- 4 Pipe
- 1 Ring
- 4 Nut
- 4 Nozzle
- 1 Stirrup
- 1 Ring
- 1 Washer,locking

! This is a component of an assembly

Engine

X6 T4i LWB (2014-) - RP76 - X6.470

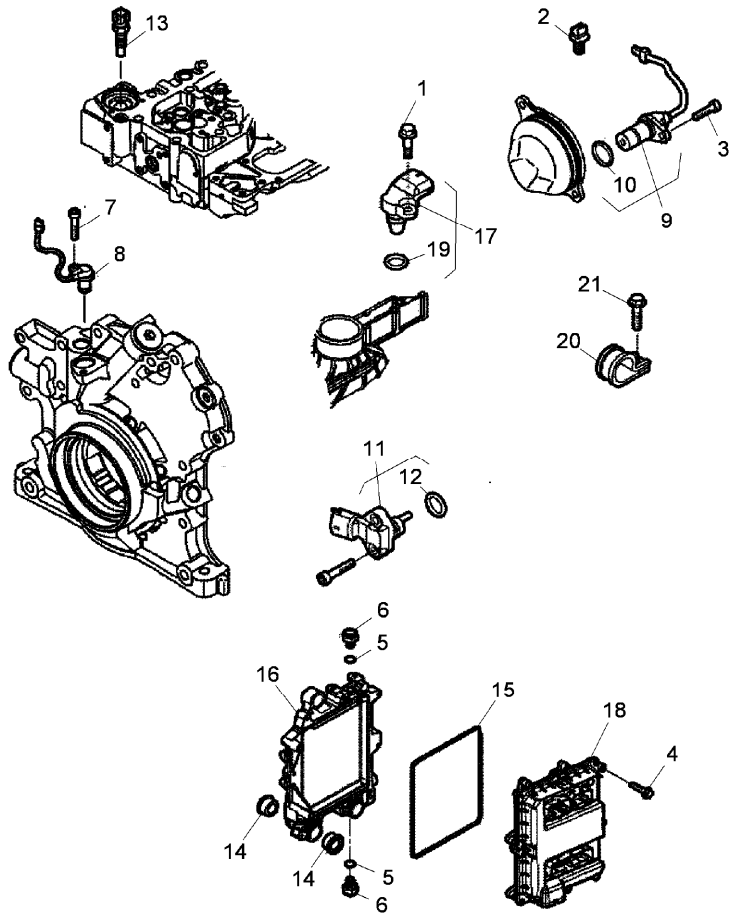
RP76\00045422.png

A-05
18



A0518

Electronic control unit



		Inglese	
1	3688801M1	◄► M6x20	1 Screw
2	6513422M1		2
3	4206391M1		1 Screw
4	3688931M1	◄► M6x30	8 Screw
5	4206399M1		2 Ring
6	3688650M1		2 Union
7	3688866M1	● 705021A1(3)	3 Screw
8	3689028M1		1 Sensor
9	3688814M1		1 Sensor
10	3688993M1	! 9 17,17x1,78	1 Ring
11	3688640M2	A B	1 Cutout
12	3688797M1	! 11 13,94x2,62	1 Ring
13	3688813M1	C	1 Sensor
14	3689019M1		6 Spacer
15	3689053M1		1 Gasket
16	3689086M1		1 Support
17	6513418M91	D	1 Sensor
		E	
18	3688920M1	● N.L.S.(1)	1 Centralizer
19	4206392M1	! 17	1 Ring
20	3689002M1	● 704595A1(2)	2 Collar
21	3688932M1		2 Screw

Engine

X6 T4i LWB (2014-) - RP76 - X6.470

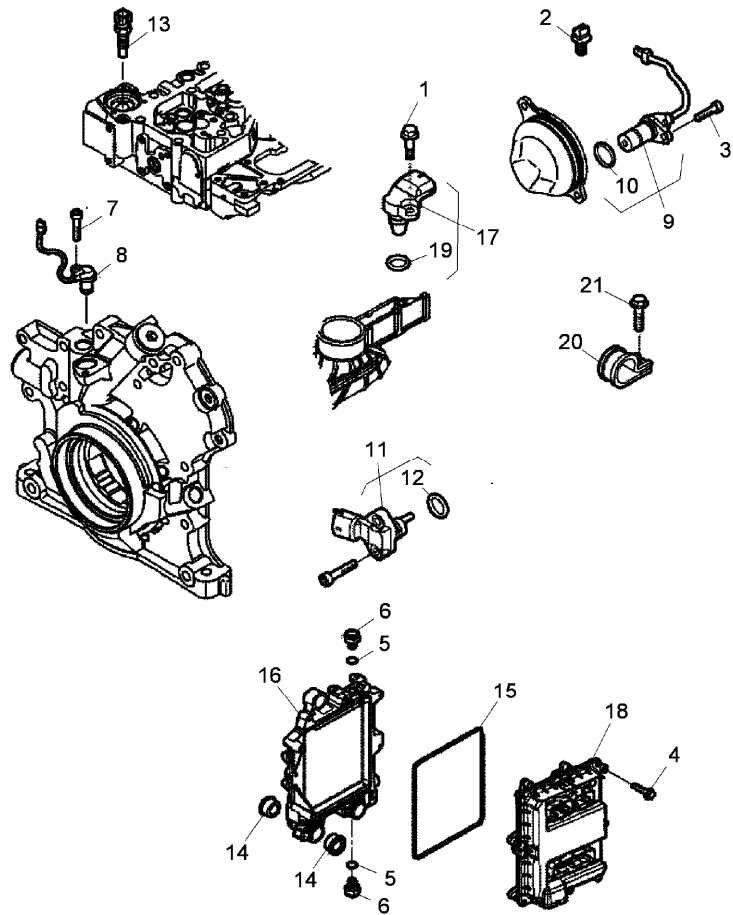
RP76\00045422.png

A-05
18



A0518

Electronic control unit



- ! This is a component of an assembly
- ◄ Length
- Replacement
- A Oil pressure
- B Oil temperature
- C Water temperature
- D Air pressure
- E Air temperature

Engine

X6 T4i LWB (2014-) - RP76 - X6.470

RP76\00045423.png

A-05
19



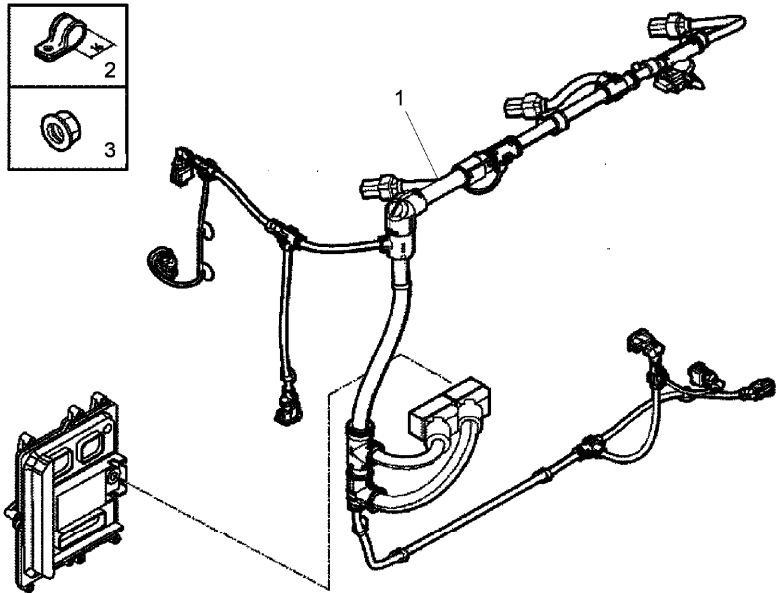
A0519

Engine wiring

- 1 6528830M1
- 2 714944A1
- 3 6528767M1

Inglese

- 1 Wiring harness
- 2 Screw
- 2 Nut



Engine

X6 T4i LWB (2014-) - RP76 - X6.470

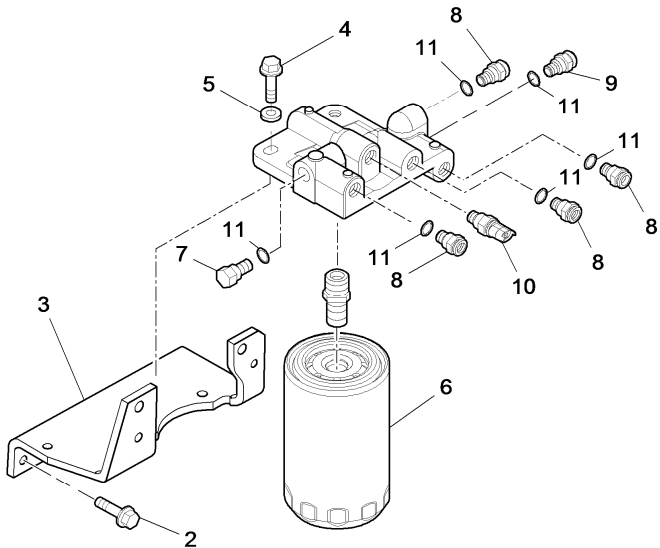
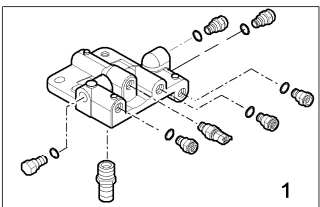
RP76\00046580.png

A-05
20



A0520

Fuel filter



- 1 705297A1
- 2 3688941M1 ◀▶ M8x20 mm
- 3 4218939M1 ● 710625A1(4)
- 4 704647A1
- 5 704645A1
- 6 6513425M1
- 7 704734A1
- 8 3688650M1
- 9 3688808M1 ● 704895A1(1)
- 10 3688813M1 A
- 11 3688754M1

- ◀▶ Length
- Replacement
- A Water temperature

Inglese

- 1 Support
- 4 Screw
- 1 Support
- 2 Screw
- 2 Washer
- 1 Cartridge
- 1 Plug
- 4 Union
- 1 Union
- 1 Sender
- 6 Ring

Engine

X6 T4i LWB (2014-) - RP76 - X6.470

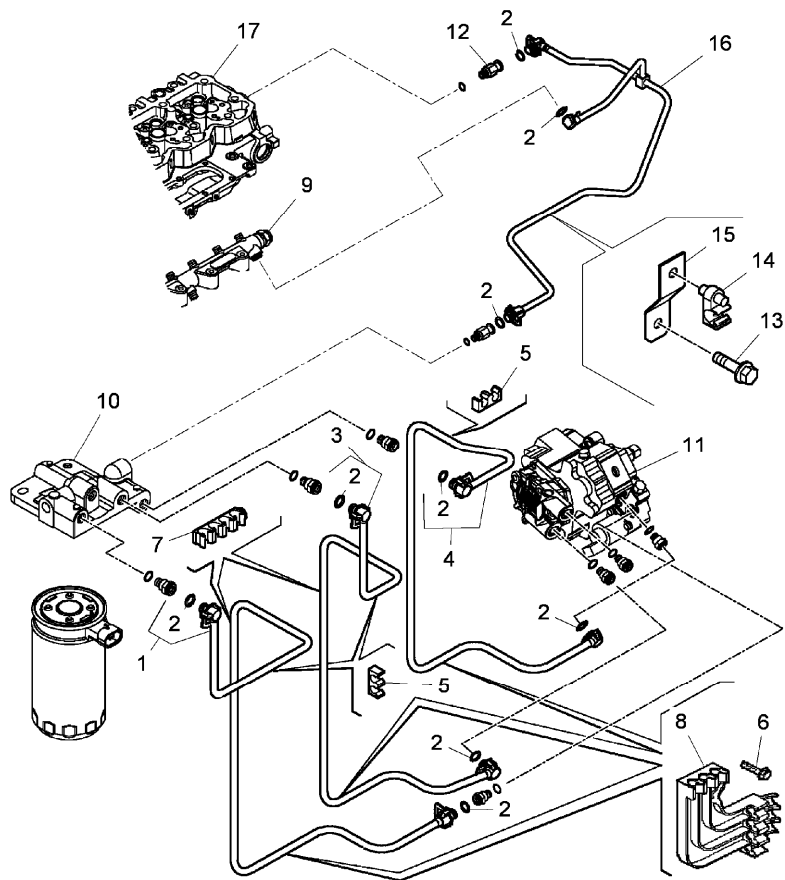
A-05
21



A0521

Fuel lines

RP76\00042146.png



Inglese

- | | | | |
|----|-----------|---------------|---------------|
| 1 | 707440A1 | | 1 Pipe |
| 2 | 3688690M1 | | 9 O ring |
| 3 | 707441A1 | | 1 Pipe |
| 4 | 707442A1 | | 1 Pipe |
| 5 | 6513427M1 | | 3 Spring |
| 6 | 3688817M1 | ● 704929A1(1) | 1 Screw |
| 7 | 6513429M1 | | 2 Spring |
| 8 | 6525650M1 | | 1 Stirrup |
| 9 | | ◊ A-05 16 1 | 1 Accumulator |
| 10 | | ◊ A-05 20 1 | 1 Support |
| 11 | | ◊ A-05 14 5 | 1 Pump |
| 12 | 3688806M1 | | 1 Valve |
| 13 | 3688932M1 | ◄ M8x16 mm | 1 Screw |
| 14 | 705191A1 | | 1 Clip |
| 15 | 705352A1 | | 1 Stirrup |
| 16 | 714715A1 | | 1 Pipe |
| 17 | | ◊ A-05 05 3 | 1 Head |
- ◊ See page - reference number
 ◄ Length
 ● Replacement



Suggest:

For more complete manuals. Please go to the home page.

<https://www.ebooklibonline.com>

If the above button click is invalid. Please download this document first, and then click the above link to download the complete manual.

Thank you so much for reading

Engine

X6 T4i LWB (2014-) - RP76 - X6.470

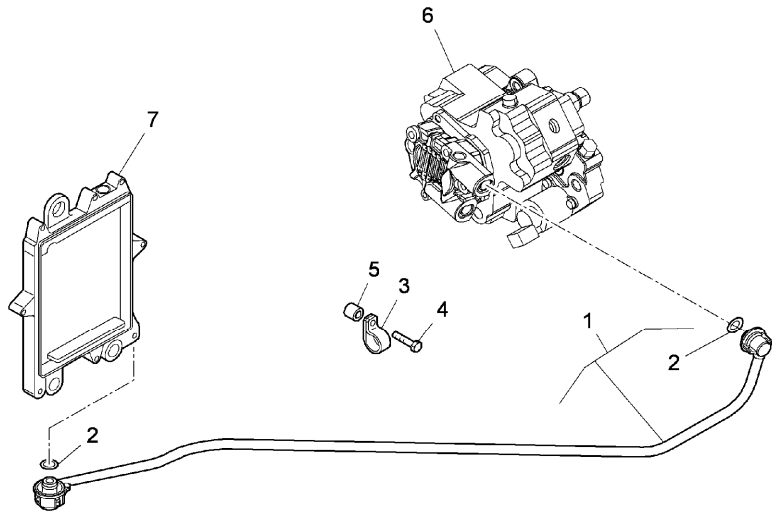
RP76\00006715.png

A-05
22



A0522

Fuel lines



- | | | Inglese |
|---|-----------------------|-----------|
| 1 | 707417A1 | 1 Pipe |
| 2 | 3688690M1 ! 1 | 2 O ring |
| 3 | 3689003M1 | 1 Stirrup |
| 4 | 3688853M1 ◀▶ M8x30 mm | 1 Screw |
| 5 | 704599A1 | 1 Washer |
| 6 | ◁▷ A-05 14 5 | 1 Pump |
| 7 | ◁▷ A-05 18 16 | 1 Support |
- ! This is a component of an assembly
◁▷ See page - reference number
◀▶ Length

Engine

X6 T4i LWB (2014-) - RP76 - X6.470

RP76\00045427.png

A-05
23



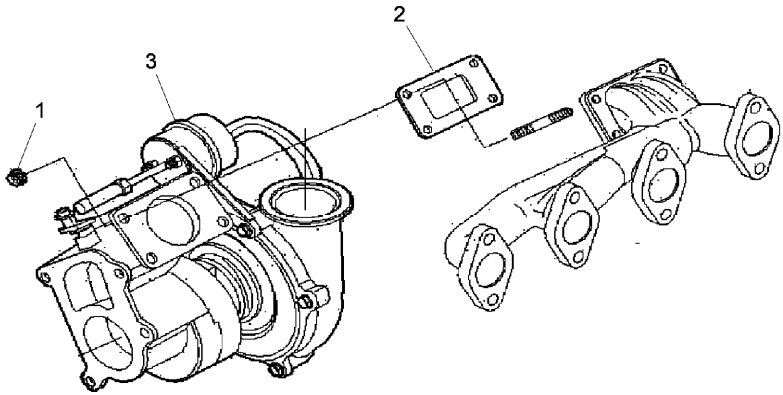
A0523

Turbocharger

- 1 6528789M1
- 2 6528779M1
- 3 6528825M91

Inglese

- 4 Nut
- 1 Gasket
- 1 Turbine



<https://www.ebooklibonline.com>

Hello dear friend!

Thank you very much for reading.

Enter the link into your browser.

The full manual is available for immediate download.

<https://www.ebooklibonline.com>