

Engine

X5 Series T4i (2014-) - RS28 - X5.30

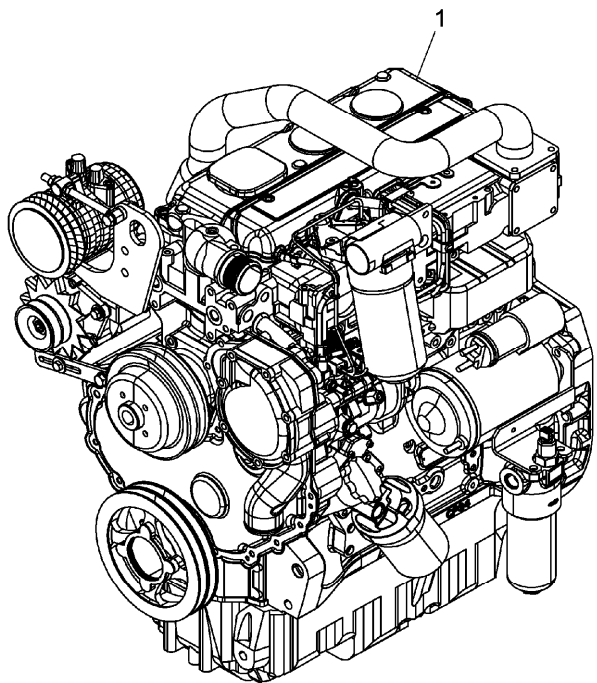
A-05
01



A0501

Engine assembly

RS28\00005170.png



Inglese

1 6510132M91 "perkins - jr51750" 1 Engine
70 kw

A

1 6521160M91 "perkins - jr82451" 1 Engine
70 kw

B

1 6529269M91 "perkins - jr82759" 1 Engine
70 kw

C

D

- A Tier 4
- B Tier 4 pre-built
- C Epa flexibility engine
- D Tier 3b

Engine

X5 Series T4i (2014-) - RS28 - X5.30

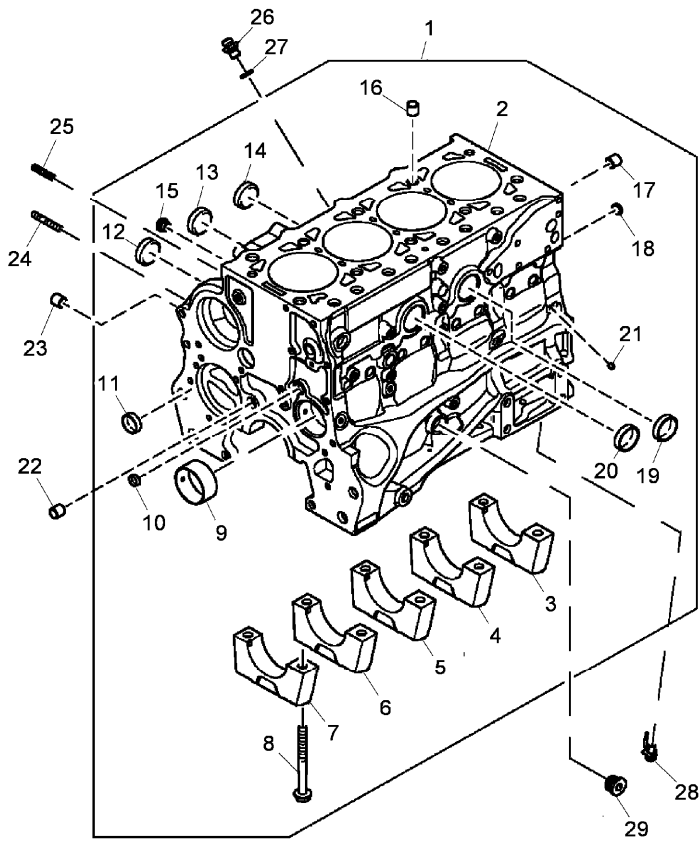
RS28\00043648.png

A-05
02



A0502

Cylinder block



		Inglese	
1	A	1	Block
2	!	1	Cylinder block
	A		
3	!	1	Bearing
	A		
4	!	1	Bearing
	A		
5	!	1	Bearing
	A		
6	!	1	Bearing
	A		
7	!	1	Bearing
	A		
8	6515957M1	!	10 Bolt
9	6516161M1	!	1 Bush
10	6516170M1	!	1 Plug
11	6516049M1	!	1 Plug
12	6516048M1	!	1 Plug
13	6516048M1	!	1 Plug
14	6516048M1	!	1 Plug
15	6515956M1	!	1 Plug
16	6515958M1	!	8 Dowel
17	6515958M1	!	2 Dowel
18	6516170M1	!	2 Plug
19	6516048M1	!	1 Plug

Engine

X5 Series T4i (2014-) - RS28 - X5.30

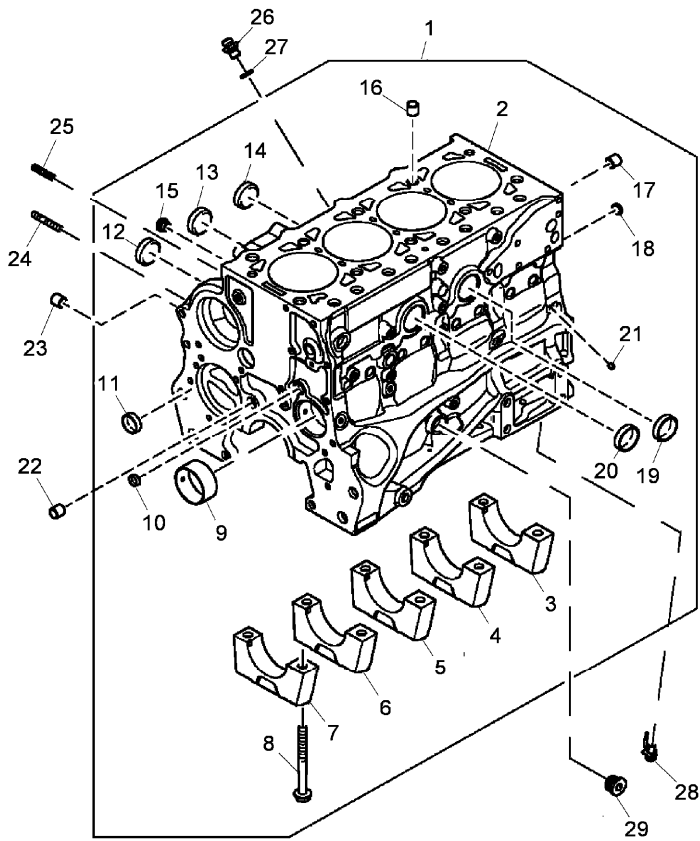
RS28\00043648.png

A-05
02



A0502

Cylinder block



- 20 6516048M1 ! 1
- 21 6515953M1 ! 1
- 22 6515958M1
- 23 6515958M1
- 24 6518755M1
- 25 6516169M1
- 26 6515951M1
- 27 6515959M1
- 28 6516050M1
- 29 6516166M1

! This is a component of an assembly
 A To be advised

Inglese

- 1 Plug
- 4 Plug
- 1 Dowel
- 3 Dowel
- 2 Stud
- 2 Stud
- 1 Bolt
- 1 Washer
- 4 Atomiser
- 1 Nut

<https://www.ebooklibonline.com>

Hello dear friend!

Thank you very much for reading.

Enter the link into your browser.

The full manual is available for immediate download.

<https://www.ebooklibonline.com>

Engine

X5 Series T4i (2014-) - RS28 - X5.30

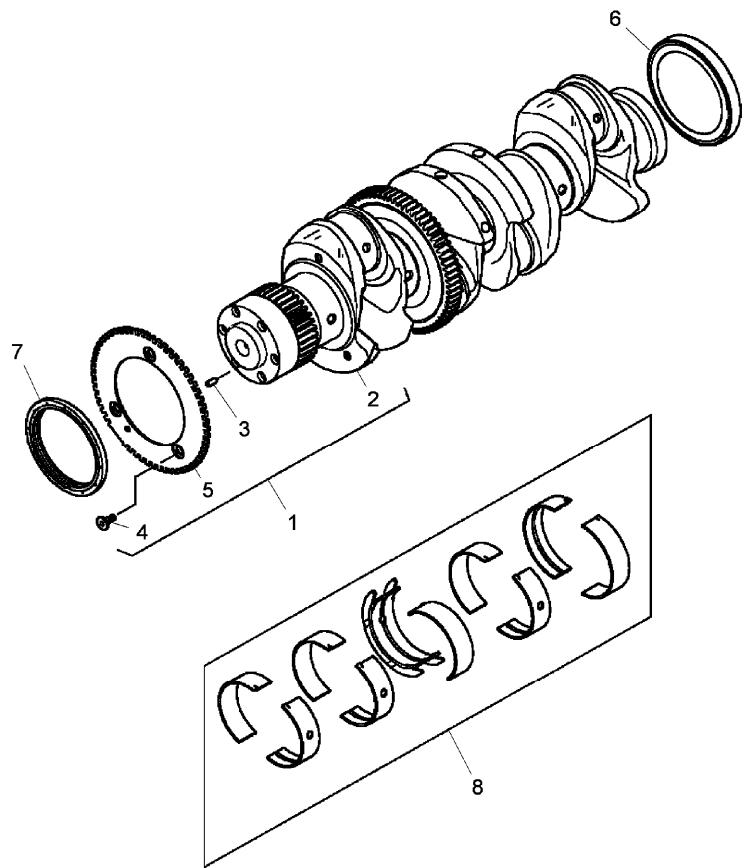
RS28\00043649.png

A-05
03



A0503

Camshaft



Inglese

1	6516188M91			1	Shaft
2		!	1	1	Shaft
		➡	Ref.n.1		
3	6515941M1	!	1	1	Dowel
4	6515942M1	!	1	3	Bolt
5	6515960M1	!	1	1	Disc
		●	6515960M91(1)		
6	6516063M1			1	Seal
7	6529760M1		90x112x10,6	1	Seal
8	6516093M91	▲	-0.508mm	1	Kit
8	6516097M91	▲	-0.254mm	1	Kit
8	6516099M91			1	Kit

- ! This is a component of an assembly
- ➡ Not serviced, order
- ▲ Shim
- Replacement

Engine

X5 Series T4i (2014-) - RS28 - X5.30

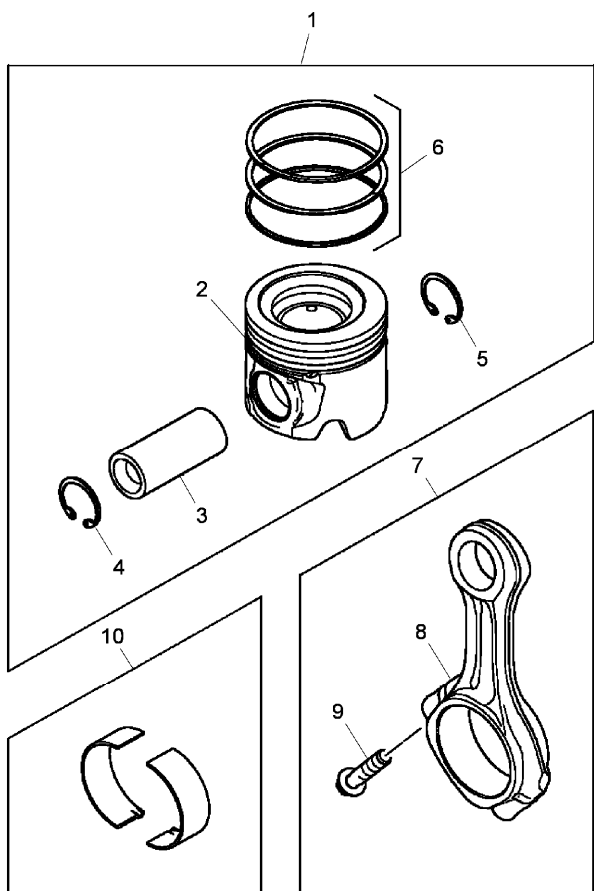
RS28\00043650.png

A-05
04



A0504

Pistons and connecting rods



		Inglese	
1	6516101M91		4 Kit
2		! 1	1 Piston
		➡ Ref.n.1	
3		! 1	1 Pin
		➡ Ref.n.1	
4	6516023M1	! 1	1 Ring
5	6516023M1	! 1	1 Ring
6	6516100M91	! 1	1 Kit
7	6516098M91		4 Conrod
8		! 7	1 Conrod
		➡ Ref.n.7	
9	6515990M1	! 7	2 Screw
10	6516096M91	⚡ -0.254mm	4 Kit
10	6516103M1		4 Bearing
10	6516104M91	⚡ -0.508mm	4 Kit

- ! This is a component of an assembly
- ➡ Not serviced, order
- ⚡ Shim

Engine

X5 Series T4i (2014-) - RS28 - X5.30

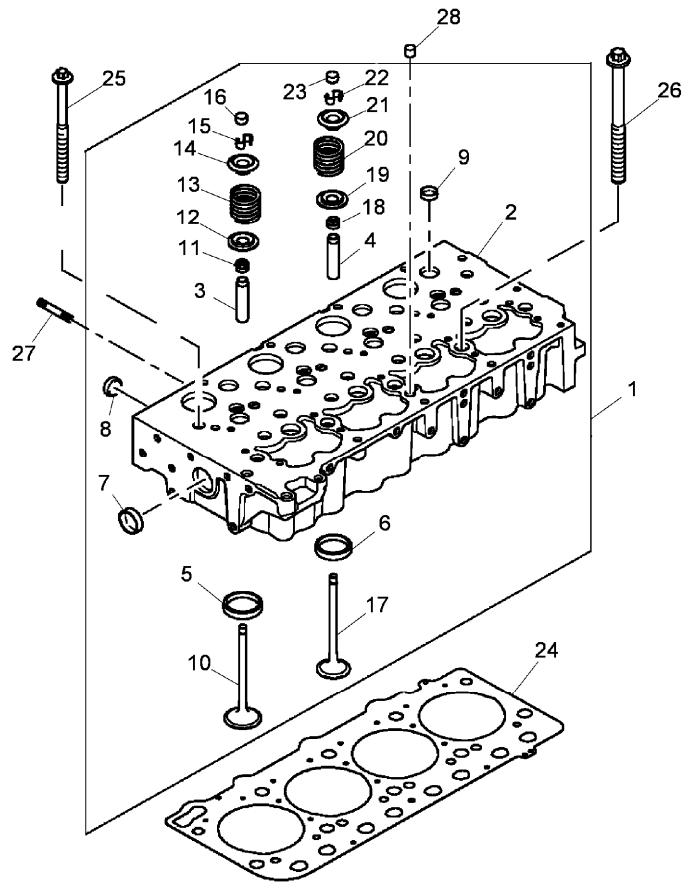
RS28\00043651.png

A-05
05



A0505

Cylinder head



			Inglese	
1	A		1 Cylinder head	
2	!	1	1 Cylinder head	
			A	
3	6516072M1	!	1	4 Guide
3	6516130M1	▲	+0.2mm	4 Guide
3	6516131M1	▲	+0.1mm	4 Guide
4	6516072M1	!	1	4 Guide
4	6516130M1	▲	+0.2mm	4 Guide
4	6516131M1	▲	+0.1mm	4 Guide
5	6516066M1	!	1	4 Valve seat
6	6516064M1	!	1	4 Valve seat
7	6516049M1	!	1	1 Plug
8	6515950M1	!	1	4 Plug
9	6515938M1	!	1	8 Plug
10	6515947M1	!	1	4 Valve
11	6516068M1	!	1	4 Seal
12	6515955M1	!	1	4 Plug
13	6516067M1	!	1	4 Spring
14	6515954M1	!	1	4 Plug
15	6516132M1	!	1	8 Guide
16	6515952M1	!	1	4 Plug
17	6515946M1	!	1	4 Valve
18	6516068M1	!	1	4 Seal
19	6515955M1	!	1	4 Plug

Engine

X5 Series T4i (2014-) - RS28 - X5.30

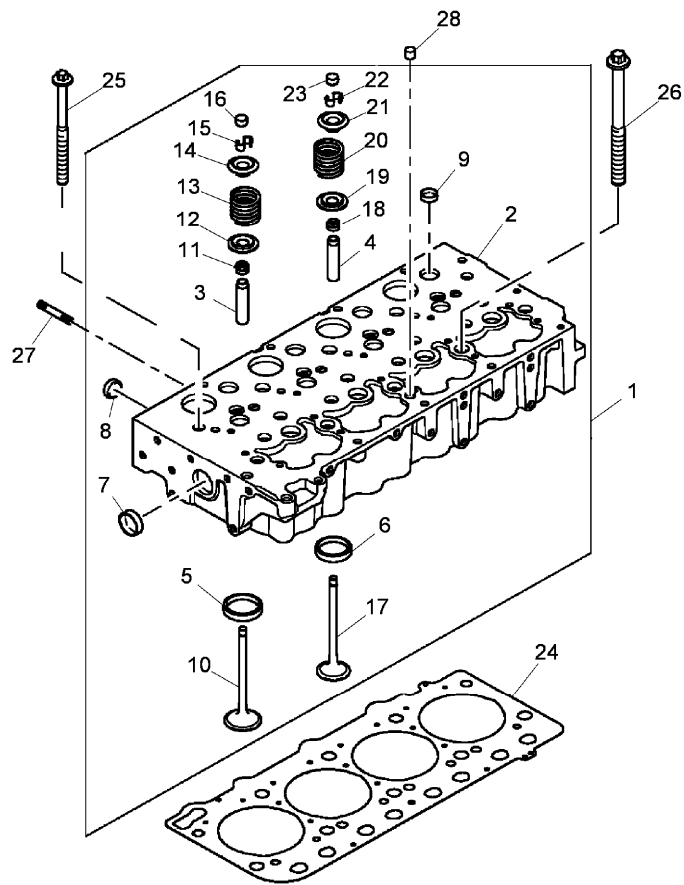
RS28\00043651.png

A-05
05



A0505

Cylinder head



20	6516067M1	!	1
21	6515954M1	!	1
22	6516132M1	!	1
23	6515952M1	!	1
24	6515914M1	⚡	0.7mm
24	6515980M1	⚡	0.8mm
25	6516069M1		4
26	6516073M1		6
27	6516129M1		8
28	6515948M1		1
!	This is a component of an assembly		
⚡	Shim		
A	To be advised		

Inglese

4	Spring
4	Plug
8	Guide
4	Plug
1	Gasket
1	Gasket
4	Screw
6	Screw
8	Stud
1	Dowel

Engine

X5 Series T4i (2014-) - RS28 - X5.30

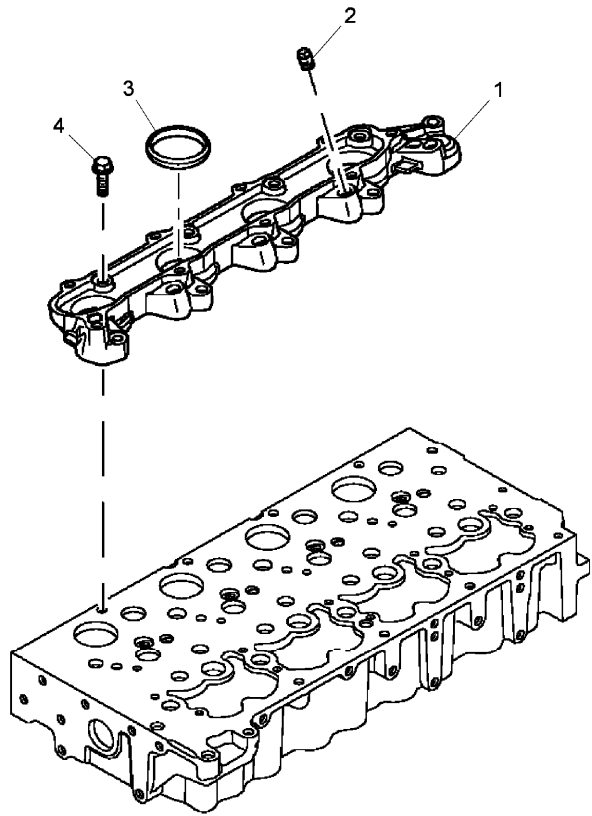
RS28\00043652.png

A-05
06



A0506

Cylinder head



- 1 6515945M1
- 2 6516075M1
- 3 6516071M1
- 4 6516034M1

Inglese

- 1 Spacer
- 4 Plug
- 4 Gasket
- 9 Bolt

Engine

X5 Series T4i (2014-) - RS28 - X5.30

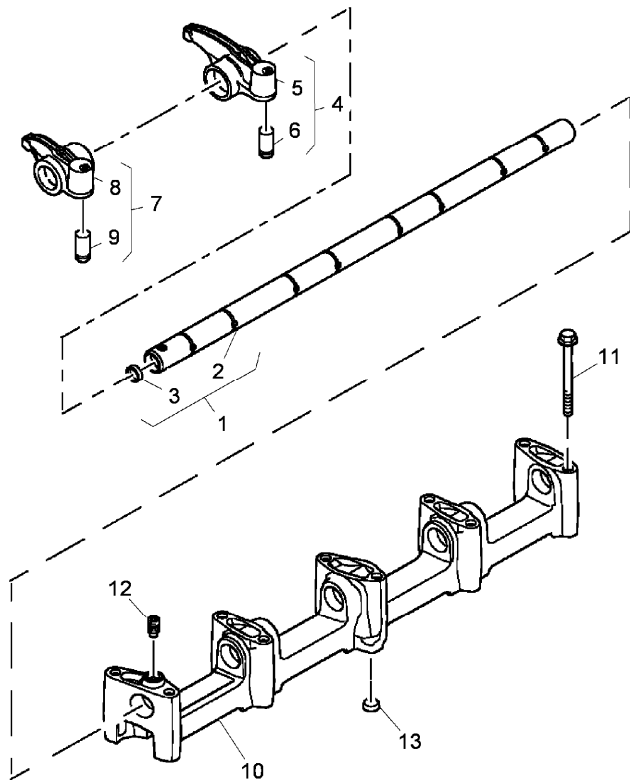
RS28\00043653.png

A-05
07



A0507

Rocker shaft



			Inglese
1	6518762M91		1 Shaft
2		! 1	1 Shaft
		➡ Ref.n.1	
3	6515975M1		2 Plug
4	6516192M91		4 Lever
5		! 4	1 Lever
		➡ Ref.n.4	
6		! 4	1 Pad
		➡ Ref.n.4	
7	6516042M91		4 Lever
8		! 7	1 Lever
		➡ Ref.n.7	
9		! 7	1 Pad
		➡ Ref.n.7	
10	6516006M91		1 Support
11	6516043M1		10 Bolt
12	6515983M1		1 Screw
13	6515975M1		1 Plug

- ! This is a component of an assembly
- ➡ Not serviced, order

Engine

X5 Series T4i (2014-) - RS28 - X5.30

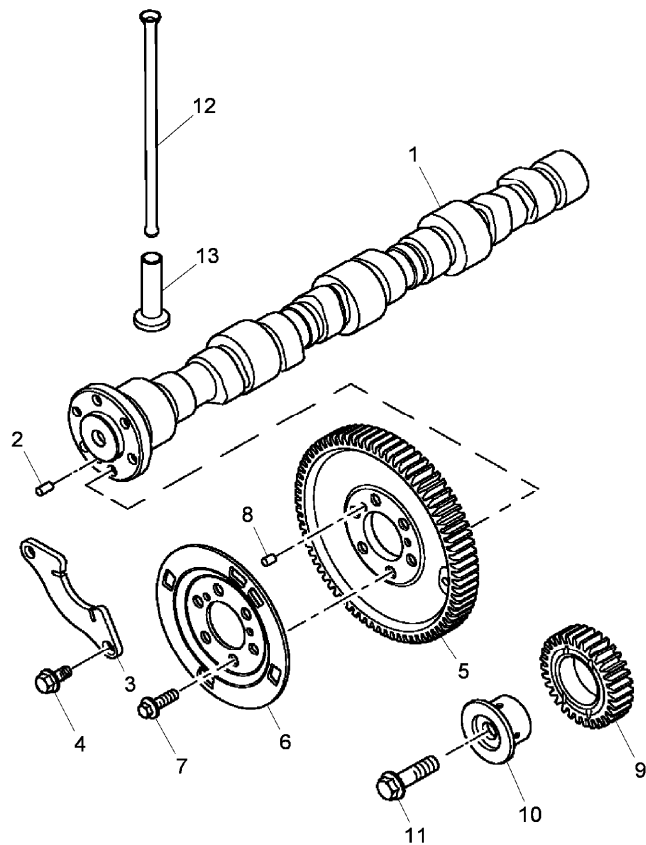
RS28\00043654.png

A-05
08



A0508

Rocker shaft



- 1 6515943M91
- 2 6515939M1
- 3 6515944M1
- 4 6516047M1
- 5 6515961M1
- 6 6516002M1
- 7 2314H004
- 8 6516010M1
- 9 6515937M1
- 10 6515967M1
- 11 6515926M1
- 12 6515940M1
- 13 6515979M1

Inglese

- 1 Shaft
- 1 Dowel
- 1 Yoke
- 2 Bolt
- 1 Gear
- 1 Flange
- 6 Screw
- 2 Dowel
- 1 Gear
- 1 Pin
- 1 Screw
- 8 Rod
- 8 Tappet

Engine

X5 Series T4i (2014-) - RS28 - X5.30

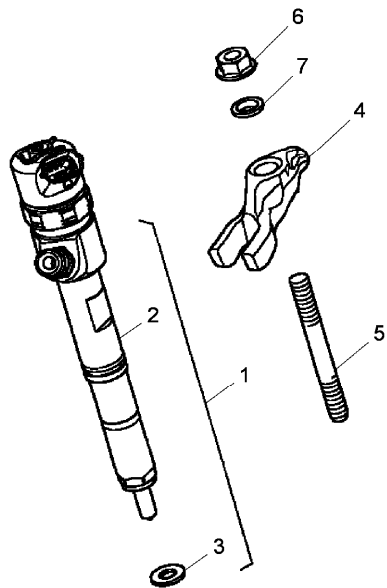
RS28\00043655.png

A-05
09



A0509

Fuel injection equipment



8
ANTI CONTAMINATION KIT
KIT DE PROTECTION
SCHUTZSATZ
KIT PROTEZIONE
EQUIPO DE PROTECCION

- | | | | | |
|---|------------|---|---------|--|
| 1 | 6515910M91 | | | |
| 2 | | ! | 1 | |
| | | ➡ | Ref.n.1 | |
| 3 | 6516058M1 | ! | 1 | |
| 4 | 6515949M1 | | | |
| 5 | 6516148M1 | | | |
| 6 | 2318A603 | | | |
| 7 | 6516057M1 | | | |
| 8 | 6518761M91 | | | |
- ! This is a component of an assembly
➡ Not serviced, order

Inglese

- | | |
|---|---------|
| 4 | Nozzle |
| 1 | Nozzle |
| 1 | Seal |
| 4 | Stirrup |
| 4 | Pin |
| 4 | Nut |
| 4 | Washer |
| 1 | Kit |

Engine

X5 Series T4i (2014-) - RS28 - X5.30

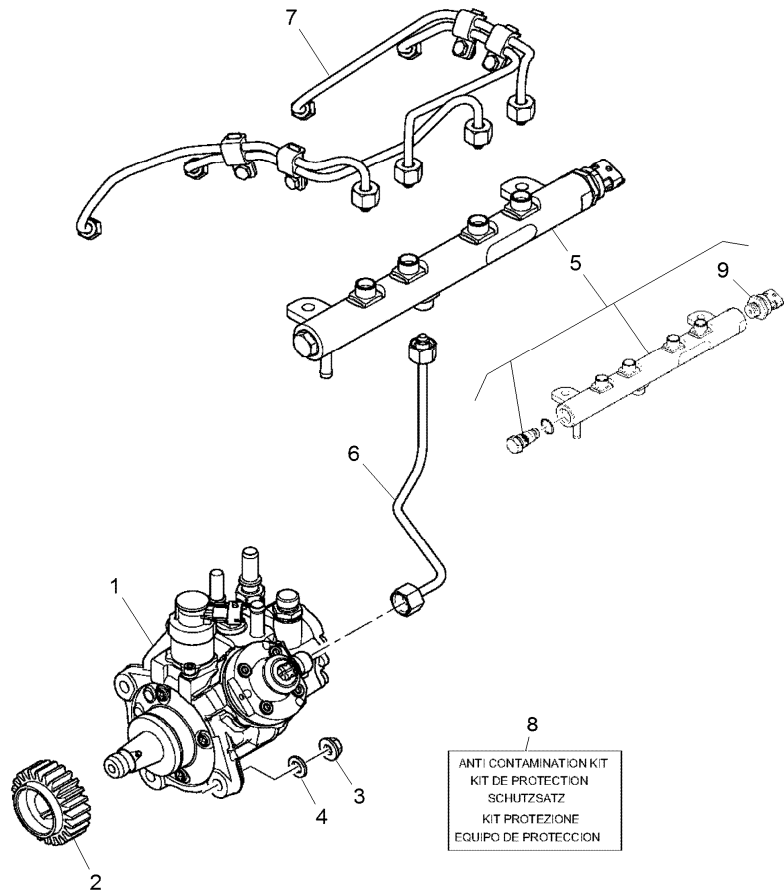
RS28\00043656.png

A-05
10



A0510

Fuel injection equipment



- 1 6516106M91
- 2 6516000M1
- 3 2318A603
- 4 2131A008
- 5 6516077M91
- 6 6515909M1
- 7 6515901M91
- 8 6518761M91
- 9 6518767M1 ! 5

Inglese

- 1 Pump
- 1 Gear
- 3 Nut
- 3 Washer
- 1 Valve
- 1 Pipe
- 1 Kit
- 1 Kit
- 1 Sensor

A

! This is a component of an assembly
A Rail pressure

Engine

X5 Series T4i (2014-) - RS28 - X5.30

A-05
11



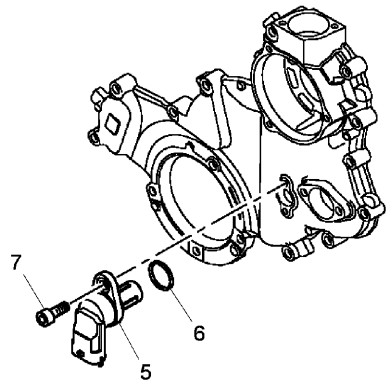
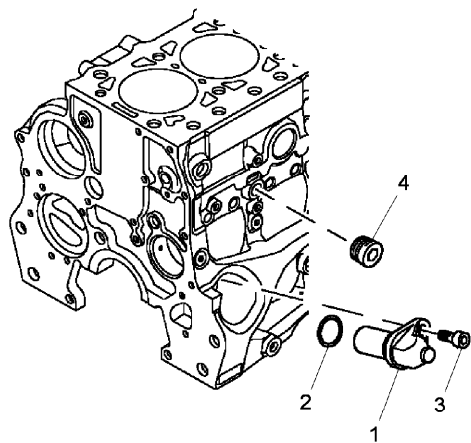
A0511

Sensors

RS28\00043657.png

Inglese

- | | | | | |
|---|-------------|----------------|---|--------|
| 1 | 6515895M1 | A | 1 | Sensor |
| | | B | | |
| 2 | 6516028M1 | | 1 | Ring |
| 3 | 6515969M1 | | 1 | Screw |
| 4 | 6515962M1 | | 1 | Plug |
| 5 | 6515896M1 | ● 6515896M2(1) | 1 | Sensor |
| | | A | | |
| 6 | 6516137M1 | | 1 | Seal |
| 7 | 6515969M1 | | 1 | Screw |
| ● | Replacement | | | |
| A | Speed | | | |
| B | Shaft | | | |



Engine

X5 Series T4i (2014-) - RS28 - X5.30

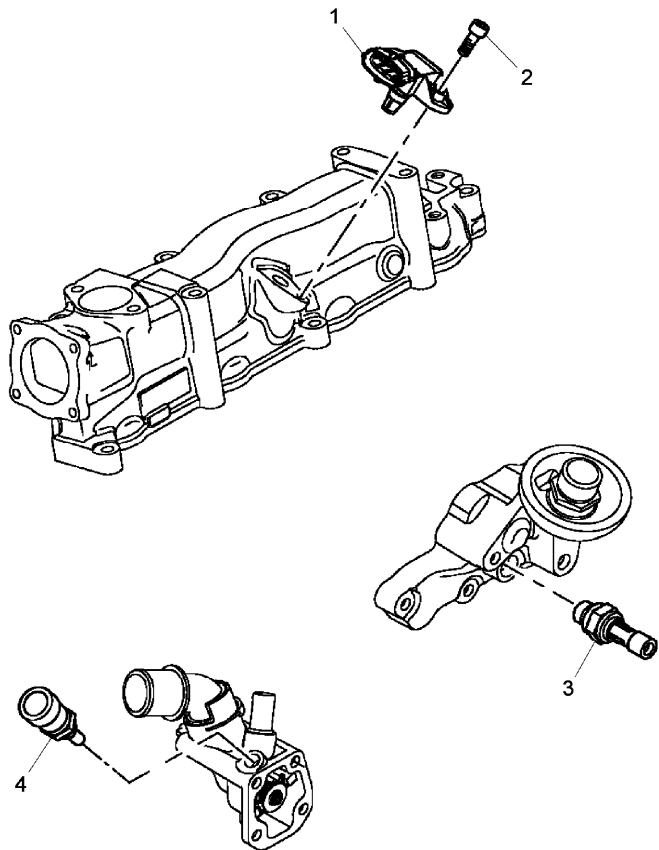
RS28\00043658.png

A-05
12



A0512

Sensors



- 1 6515966M1 A
- 2 6515969M1
- 3 6515897M1 B
- 4 6515928M1 C
- A Air pressure
- B Oil pressure
- C Temperature

Inglese

- 1 Sensor
- 1 Screw
- 1 Sensor
- 1 Sensor

Engine

X5 Series T4i (2014-) - RS28 - X5.30

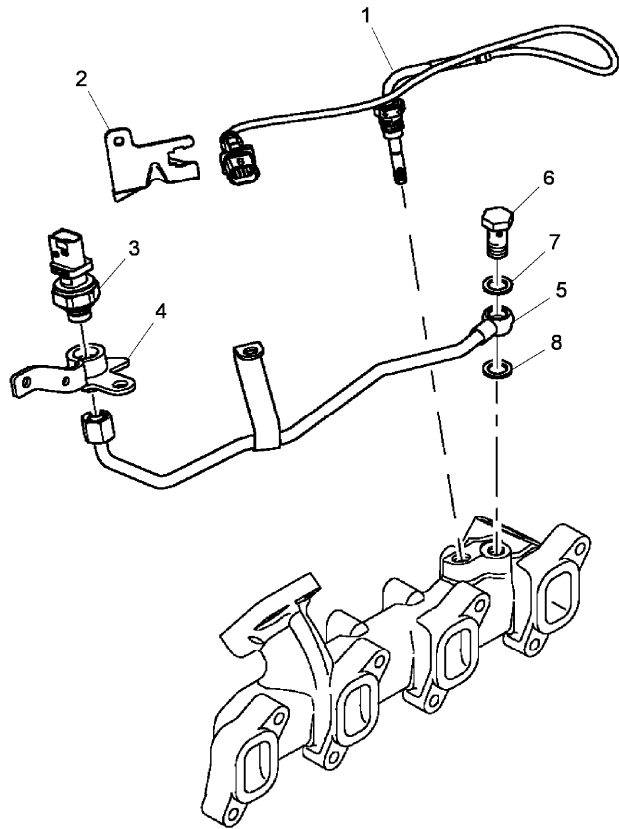
A-05
13



A0513

Sensors

RS28\00043659.png



- 1 6515900M1 A
- 2 6515977M1
- 3 6515996M1
- 4 6515986M91
- 5 6515999M1
- 6 6515963M91
- 7 6516105M1
- 8 6516105M1
- A Temperature

Inglese

- 1 Sensor
- 1 Stirrup
- 1 Sensor
- 1 Stirrup
- 1 Pipe
- 1 Bolt
- 1 Washer
- 1 Washer

Engine

X5 Series T4i (2014-) - RS28 - X5.30

RS28\00043660.png

A-05
14



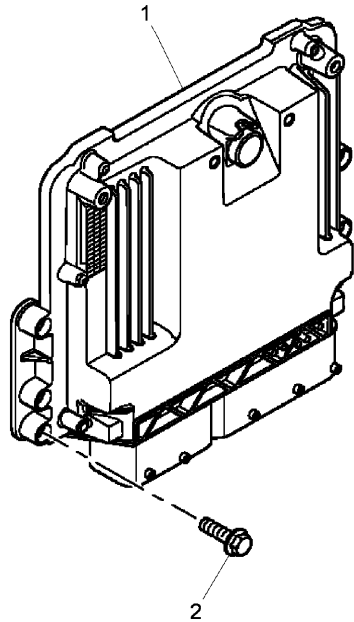
A0514

Electronic control unit

- 1 6515921M1 ● N.L.S.(1)
- 2 2314F005
- Replacement

Inglese

- 1 Centralizer
- 2 Screw



Engine

X5 Series T4i (2014-) - RS28 - X5.30

RS28\00043661.png

A-05
15



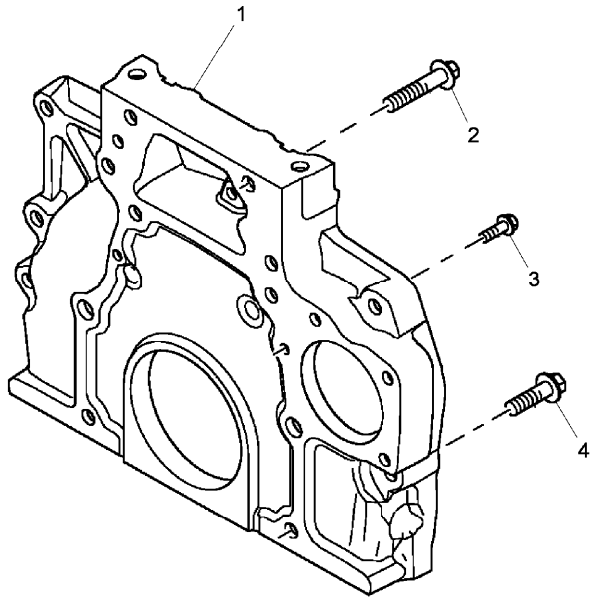
A0515

Crankcase covers

- 1 6516136M91
- 2 6515927M1
- 3 6516041M1
- 4 6515926M1

Inglese

- 1 Housing
- 2 Screw
- 2 Bolt
- 6 Screw



Engine

X5 Series T4i (2014-) - RS28 - X5.30

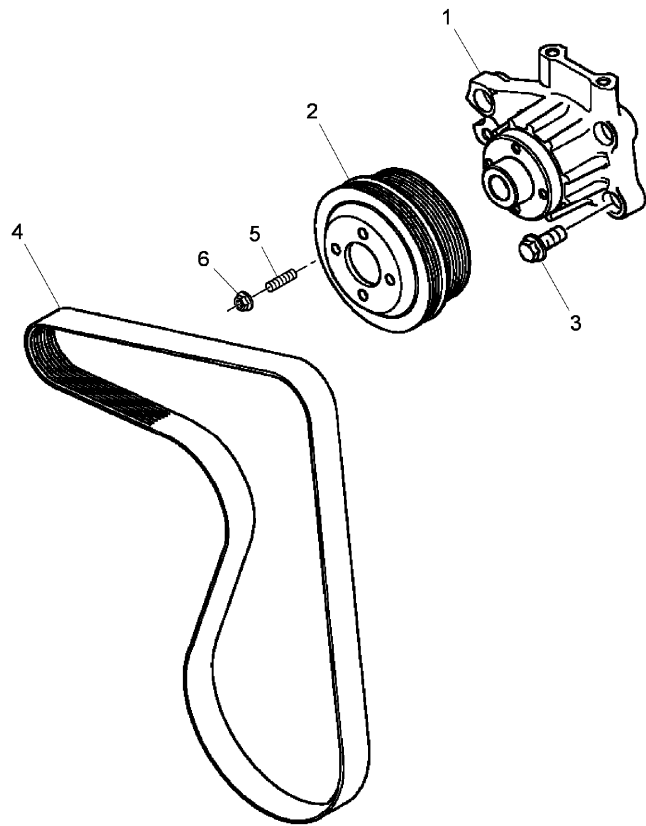
A-05
16



A0516

Fan-type pulley

RS28\00043662.png



- 1 6516183M91
- 2 6516182M91
- 3 6516041M1
- 4 6518749M1 ● 6518749M2(1)
- 5 6516168M1
- 6 2318A603
- Replacement

Inglese

- 1 Coperch.
- 1 Pulley
- 5 Bolt
- 1 Belt
- 4 Stud
- 4 Nut

Engine

X5 Series T4i (2014-) - RS28 - X5.30

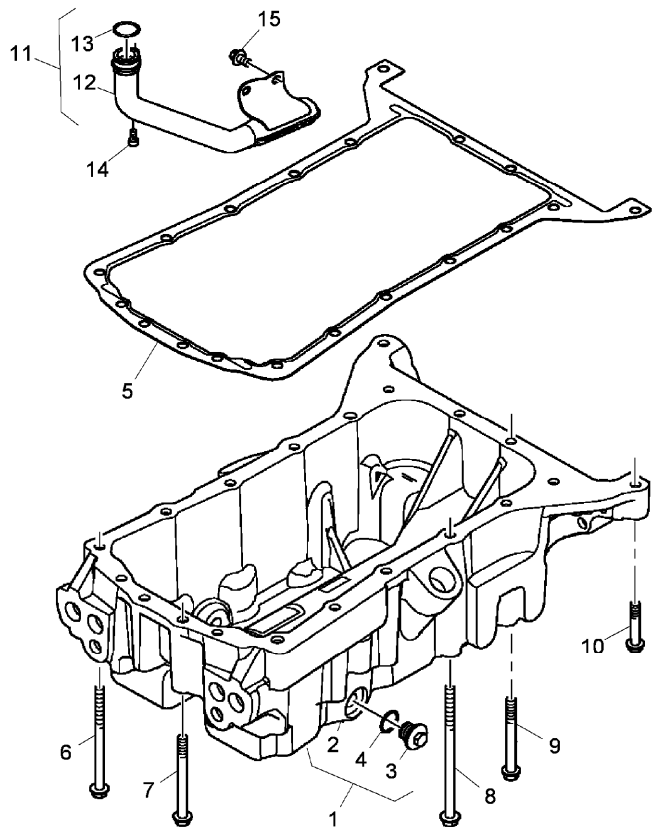
RS28\00043663.png

A-05
17



A0517

Lubricating oil sump



- | | | | | |
|----|------------|---|----------|--|
| 1 | 6516185M91 | | | |
| 2 | | ! | 1 | |
| | | ➡ | Ref.n.1 | |
| 3 | 6515970M1 | ! | 1 | |
| 4 | 6516083M1 | ! | 1 | |
| 5 | 6515911M1 | | | |
| 6 | 2314J022 | | | |
| 7 | 2314J019 | | | |
| 8 | 6516179M1 | | | |
| 9 | 2314J018 | | | |
| 10 | 2314J009 | | | |
| 11 | 6516184M91 | | | |
| 12 | | ! | 11 | |
| | | ➡ | Ref.n.11 | |
| 13 | 6516045M1 | ! | 11 | |
| 14 | 6516056M1 | | | |
| 15 | 2314H001 | | | |
- ! This is a component of an assembly
➡ Not serviced, order

Inglese

- | | |
|---|--------|
| 1 | Pan |
| 1 | Pan |
| 2 | Plug |
| 2 | Ring |
| 1 | Gasket |
| 8 | Screw |
| 2 | Screw |
| 4 | Screw |
| 2 | Screw |
| 4 | Screw |
| 1 | Pipe |
| 1 | Pipe |
| 1 | Ring |
| 1 | Screw |
| 2 | Screw |

Engine

X5 Series T4i (2014-) - RS28 - X5.30

RS28\00043664.png

**A-05
18**



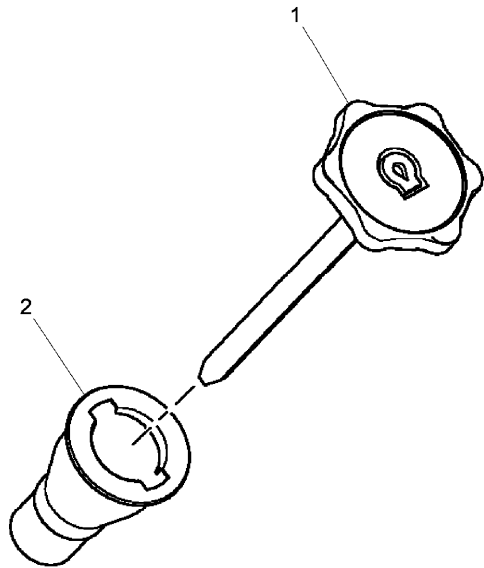
A0518

Oil level

Inglese

- 1 6516186M1
- 2 6516180M1

- 1 Rod
- 1 Pipe



Engine

X5 Series T4i (2014-) - RS28 - X5.30

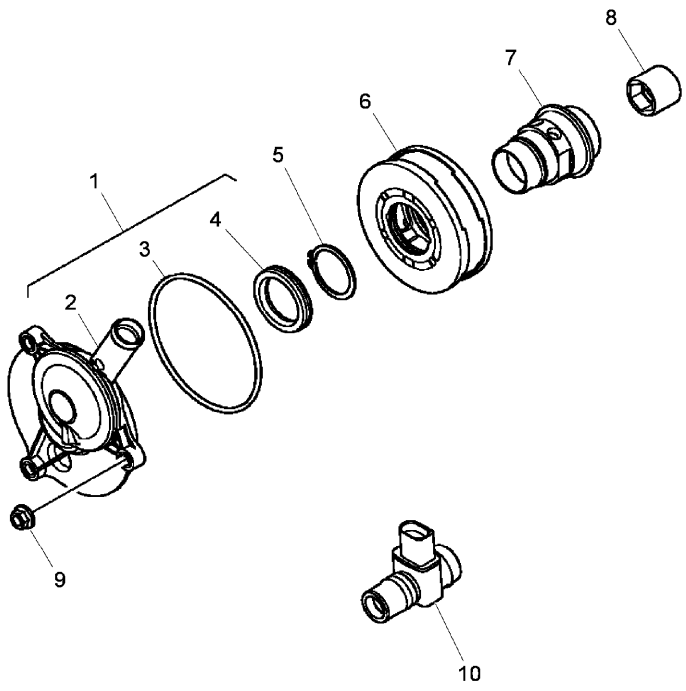
RS28\00043665.png

A-05
19



A0519

Breather



- 1 6515935M1
- 2 ! 1
- 3 6515932M1 ! 1
- 4 6515934M1 ! 1
- 5 6515933M1
- 6 6515893M91
- 7 6515936M91
- 8 6515931M1
- 9 2318A602
- 10 6516164M1

➡ Ref.n.1

! This is a component of an assembly
➡ Not serviced, order

Inglese

- 1 Breather
- 1 Breather
- 1 Ring
- 1 Seal
- 1 Ring
- 1 Kit
- 1 Shaft
- 1 Bush
- 3 Nut
- 1 Heater

Engine

X5 Series T4i (2014-) - RS28 - X5.30

RS28\00043666.png

A-05
20



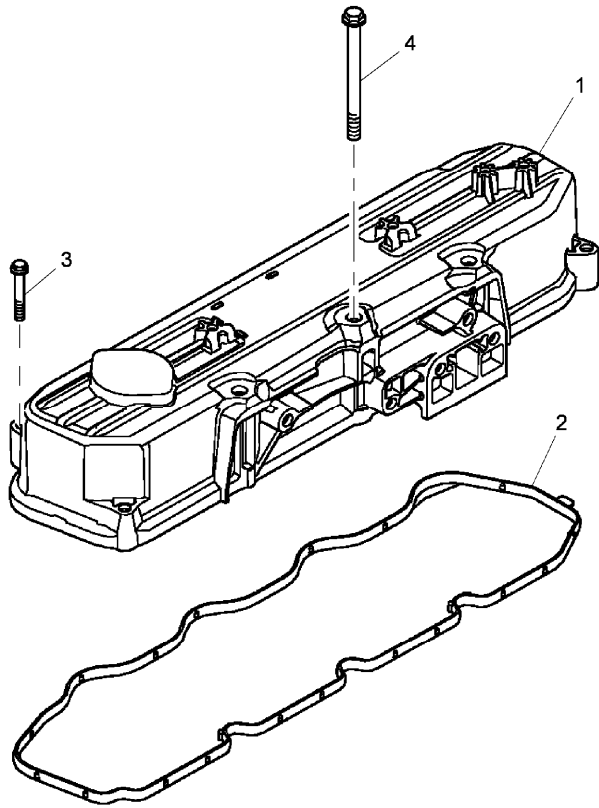
A0520

Cylinder head cover

Inglese

- 1 6516014M91
- 2 6515908M1
- 3 2314F009
- 4 2314H019

- 1 Overlay
- 1 Gasket
- 7 Screw
- 3 Screw



Engine

X5 Series T4i (2014-) - RS28 - X5.30

A-05
21



A0521

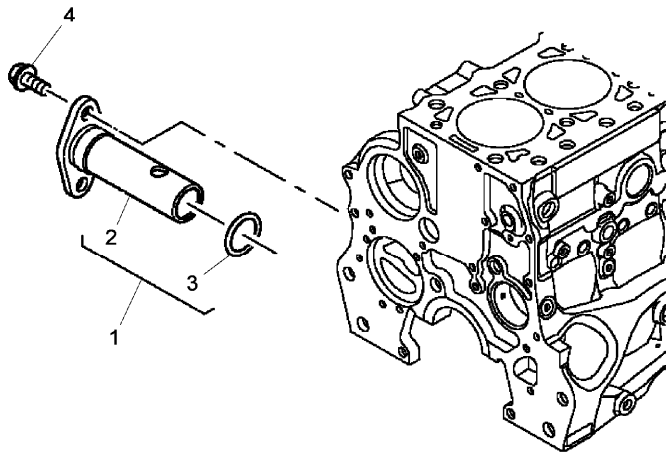
Oil lines

RS28\00043667.png

Inglese

- | | | | | |
|---|------------|---|---------|-------|
| 1 | 6516123M91 | | 1 | Valve |
| 2 | | ! | 1 | Valve |
| | | ➤ | Ref.n.1 | |
| 3 | 6516032M1 | ! | 1 | Ring |
| 4 | 2314F003 | | 2 | Screw |

- ! This is a component of an assembly
- Not serviced, order



Engine

X5 Series T4i (2014-) - RS28 - X5.30

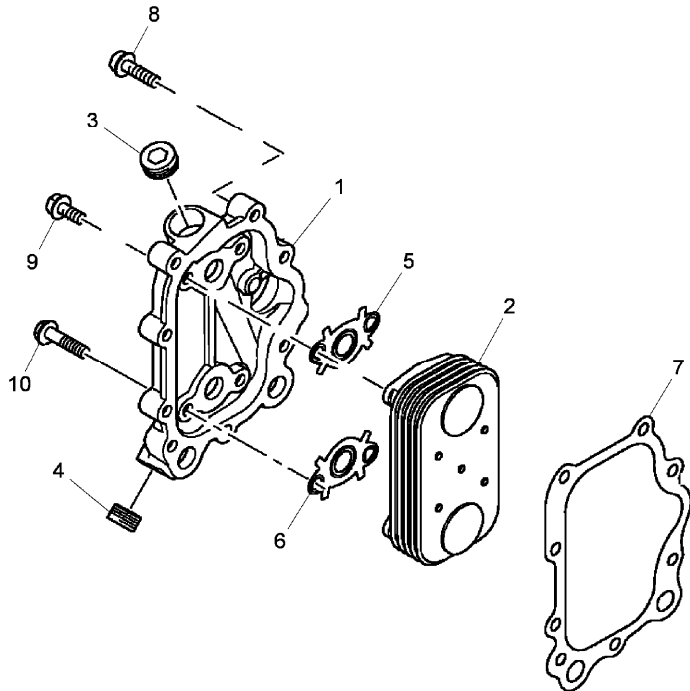
RS28\00043668.png

A-05
22



A0522

Oil bath air filter - lautrette



- 1 6516118M1
- 2 6516003M91
- 3 6516120M1
- 4 6516128M1
- 5 6516013M1
- 6 6516013M1
- 7 6516082M1
- 8 6516034M1
- 9 6516044M1
- 10 2314H006

Inglese

- 1 Housing
- 1 Exchanger
- 1 Plug
- 1 Plug
- 1 Gasket
- 1 Gasket
- 1 Gasket
- 8 Bolt
- 2 Bolt
- 2 Screw



Suggest:

For more complete manuals. Please go to the home page.

<https://www.ebooklibonline.com>

If the above button click is invalid. Please download this document first, and then click the above link to download the complete manual.

Thank you so much for reading

Engine

X5 Series T4i (2014-) - RS28 - X5.30

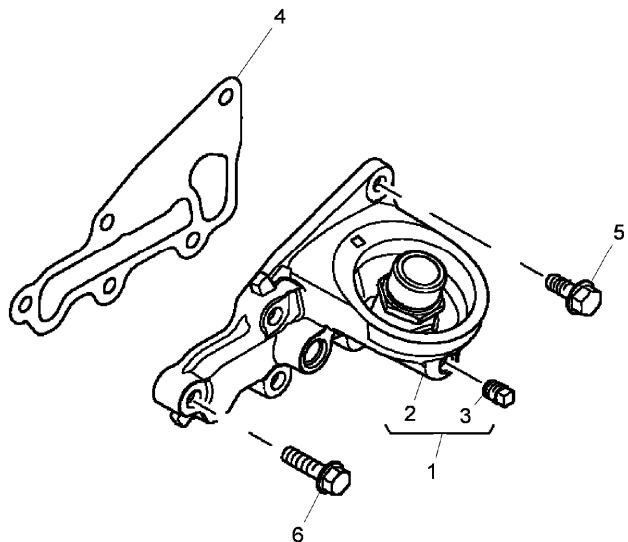
RS28\00043669.png

A-05
23



A0523

Lubricating oil filter



1 6516187M1

2 ! 1

➡ Ref.n.1

3 6516139M1 ! 1

4 6516174M1

5 6516044M1

6 6516034M1

! This is a component of an assembly

➡ Not serviced, order

Inglese

1 Support

1 Support

1 Plug

1 Gasket

1 Bolt

4 Bolt

Engine

X5 Series T4i (2014-) - RS28 - X5.30

RS28\00043670.png

A-05
24

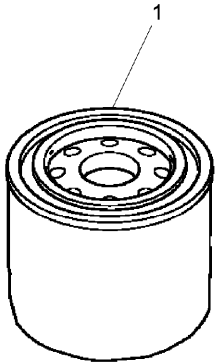


A0524

Lubricating oil filter

Inglese

- 1 6515892M1 ● 6515892M2(1) 1 Filter
- Replacement



<https://www.ebooklibonline.com>

Hello dear friend!

Thank you very much for reading.

Enter the link into your browser.

The full manual is available for immediate download.

<https://www.ebooklibonline.com>