

Engine

X4 Small Range Series (2015- ) - RS53 - X4.35

RS53\00005170.png

A-05  
01



A0501

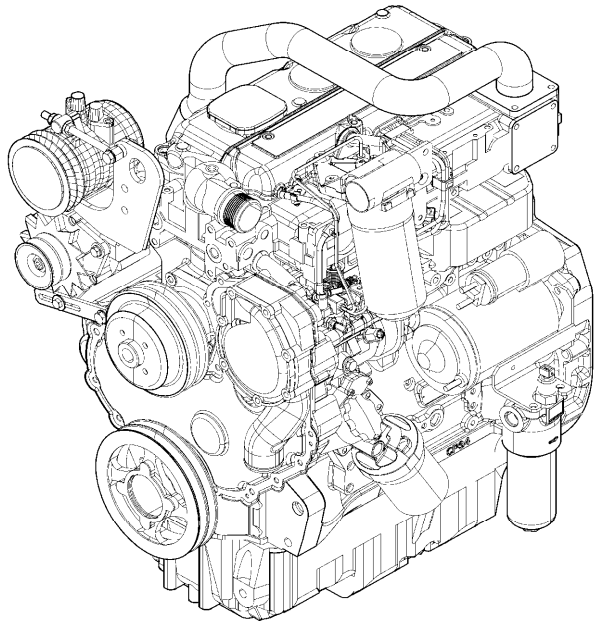
Engine assembly

Inglese

1 6531265M91

"perkins - nk83028 1 Engine  
54,5 kw

1



Engine ancillary equipment

X4 Small Range Series (2015- ) - RS53 - X4.35

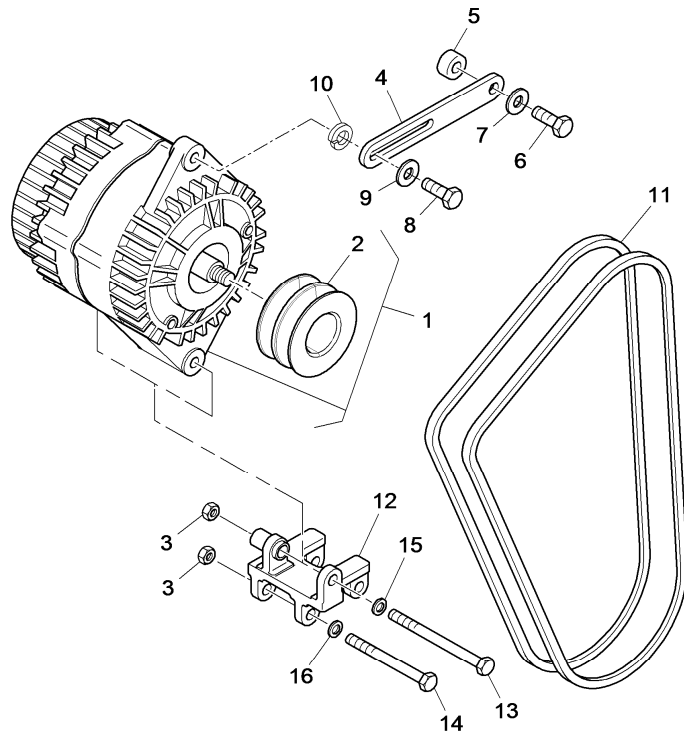
RS53\00046693.png

C-32  
01



C3201

Alternator



			Inglese
1	6518619M91	95 amp	1 Alternator
2	6514419M91	! 1	1 Pulley
3	1441932X1		3 Nut
4	4213890M1		1 Tightener
5	706550A2		1 Spacer
6	844-10040	◄ M10x40	1 Bolt
7	390734X1		1 Washer
8	339761X1	◄ M8x25	1 Screw
		● 339666X1(1)	
9	391039X1		1 Washer
10	1440313X1	● Substitutions error	1 Lock washer
11	3677935M1		2 Belt
12	708049A1		1 Support
13	1442920X1	◄ M10x110	1 Screw
14	3009502X1	◄ M10x80	2 Screw
15	390734X1		2 Washer
16	338996X1		2 Lock washer
!	This is a component of an assembly		
◄	Length		
●	Replacement		

Engine ancillary equipment

X4 Small Range Series (2015- ) - RS53 - X4.35

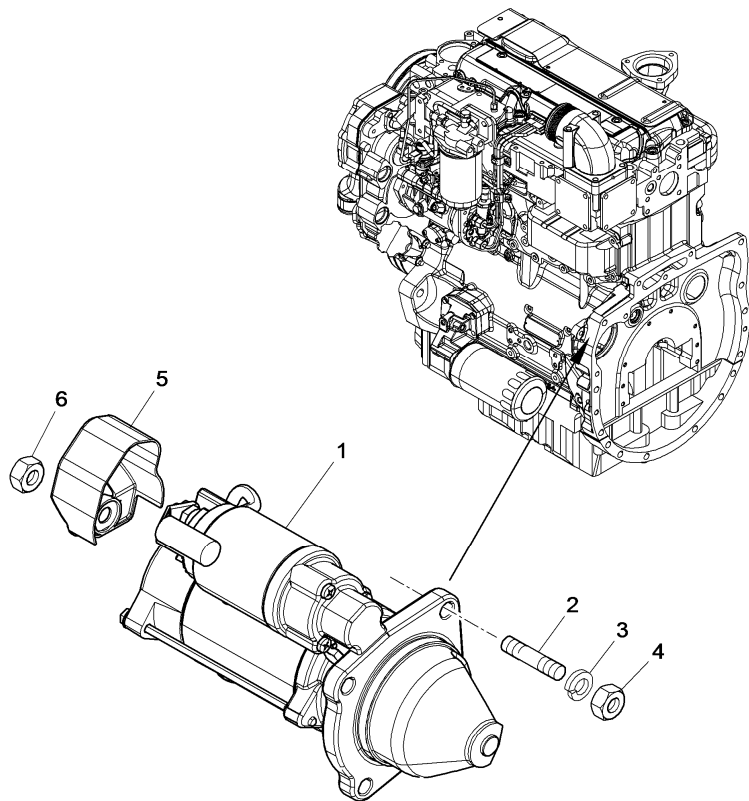
RS53\00046691.png

**C-32  
10**



C3210

Starter motor - iskra type



			Inglese	
1		C-32 10.1 1 Iskra 3.2 kw	1 Startermotor	
2	391006X1		M10x30	3 Stud
3	1440314X1			3 Washer
4	3009693X1		Substitutions error	3 Nut
5	6502050M1			1 Coperch.
6	395378A1			1 Nut
	See page - reference number			
	Length			
	Replacement			

**<https://www.ebooklibonline.com>**

Hello dear friend!

Thank you very much for reading.

Enter the link into your browser.

The full manual is available for immediate download.

**<https://www.ebooklibonline.com>**

Engine ancillary equipment

X4 Small Range Series (2015- ) - RS53 - X4.35

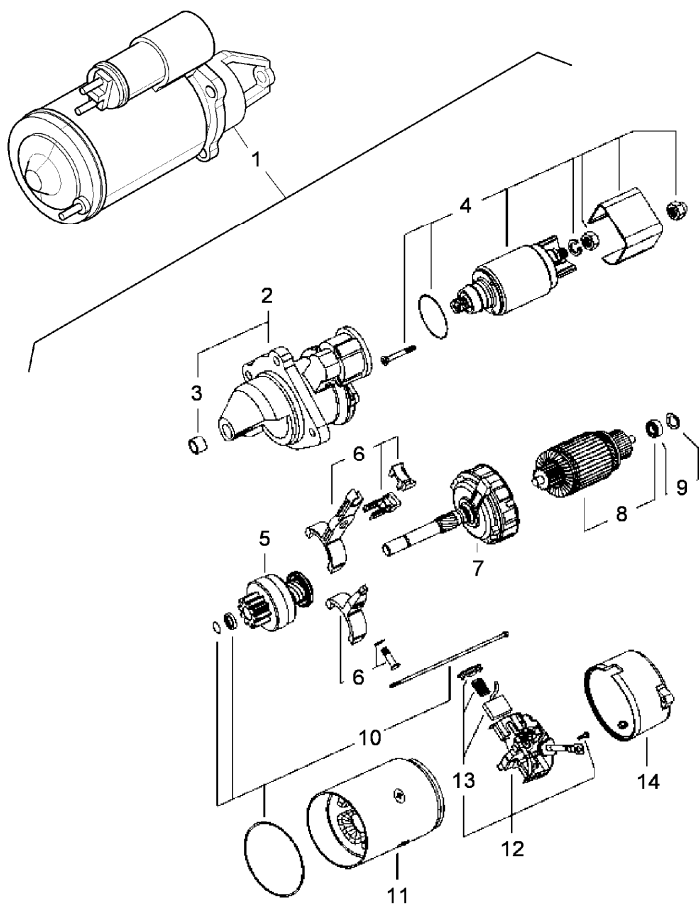
RS53\00040868.png

**C-32**  
**10.1**



C3210.1

Starter motor - iskra type



				Inglese
1	4213912M91			1 Startermotor
2	6510858M91	!	1	1 Support
3		!	2	1 Bearing
		➡	Ref.n.2	
4	6510859M91	!	1	1 Cutout
5	6510856M91	!	1	1 Pinion
6		!	1	1 Lever
		➡	Ref.n.1	
7	4219590M91	!	1	1 Reducer
		●	6525366M91(1)	
8	6510860M91	!	1	1 Cutout
9		!	1	1 Bearing
		➡	Ref.n.1	
10		!	1	1 Kit
		➡	Ref.n.1	
11		!	1	1 Stator
		➡	Ref.n.1	
12	4219592M91	!	1	1 Kit
13	709104A1	!	12	1 Kit
14		!	1	1 Cover
		➡	Ref.n.1	
	!	This is a component of an assembly		
	➡	Not serviced, order		
	●	Replacement		

Engine ancillary equipment

X4 Small Range Series (2015- ) - RS53 - X4.35

RS53\000032.987.png

C-32  
15

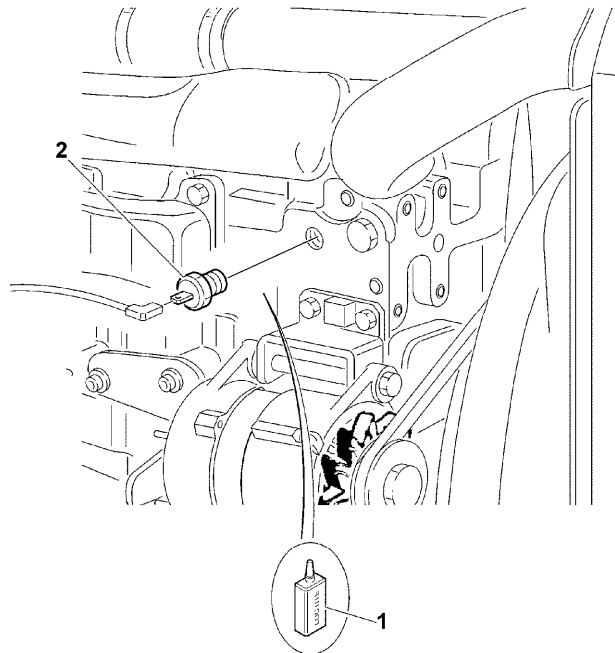


C3215

Water temperature

Inglese

- |   |            |     |              |   |         |
|---|------------|-----|--------------|---|---------|
| 1 | 3663814M1  | ●   | 1427801M2(1) | 1 | Loctite |
| 2 | 4207857M91 | T-A | 0:25         | 1 | Bulb    |
- Replacement  
T-A Replacement



Engine ancillary equipment

X4 Small Range Series (2015- ) - RS53 - X4.35

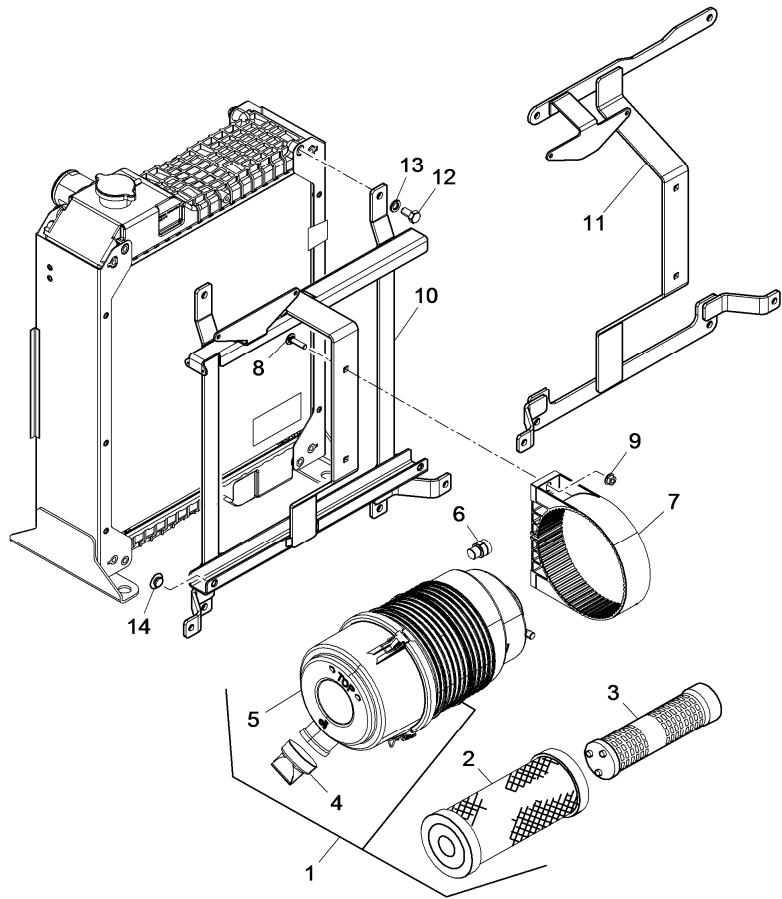
RS53\00046703.png

**C-32  
20**



C3220

Dry air filter - dual element

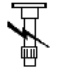


		Inglese	
1	3543545M91	7" donaldson	1 Filter
2	3540046M1	! 1 (X) 1.2.5. T-A 0:25	1 Element
3	3540047M1	! 1 T-A 0:25	1 Element
4	3540050M1	! 1 T-A 0:25	1 Valve
5	3541364M91	! 1	1 Cover
6	3534832M92	↖ 3666636m1	1 Depression
6	3666636M1	↖ 3534832m92 ● 3534832M92(1) 5.6 kpa	1 Depression
7	3666022M1		1 Clamp
8	385371X1	◄▶ M8x30 ● 385376X1(2)	2 Screw
9	3019124X1		2 Nut
10	6529386M92	A	1 Support
11	6530209M91	● 6530209M92(1) B C	1 Support
12	339124X1		2 Screw
13	1440313X1	● Substitutions error	2 Lock washer
14	3304199M1	A	2 Plug
!	This is a component of an assembly		
↖	Alternative		

Engine ancillary equipment

X4 Small Range Series (2015- ) - RS53 - X4.35

**C-32  
20**

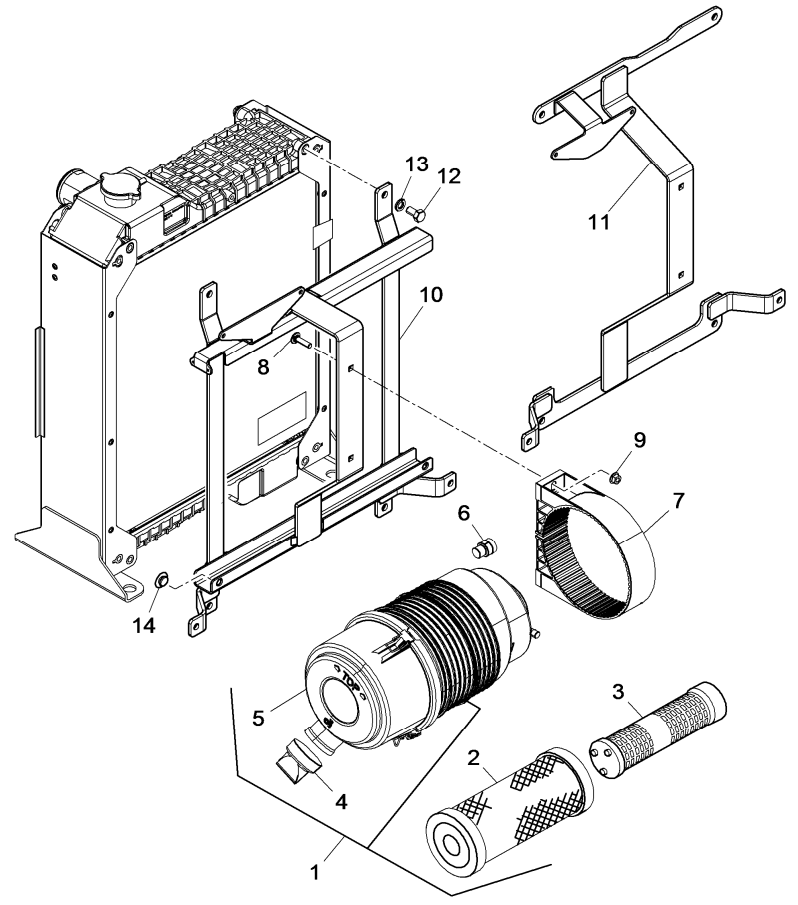


C3220

Dry air filter - dual element

RS53\00046703.png

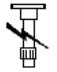
- ◄ Length
- Replacement
- (X) Qty per tractors sold (aa.bbb.ccc.ddd) (aa) for 1,(bbb) 2-10 (ccc) 11-25 (ddd) 26-50
- T-A Replacement
- A With cab conditioned air
- B Cab without conditioned air
- C With platform



Engine ancillary equipment

X4 Small Range Series (2015- ) - RS53 - X4.35

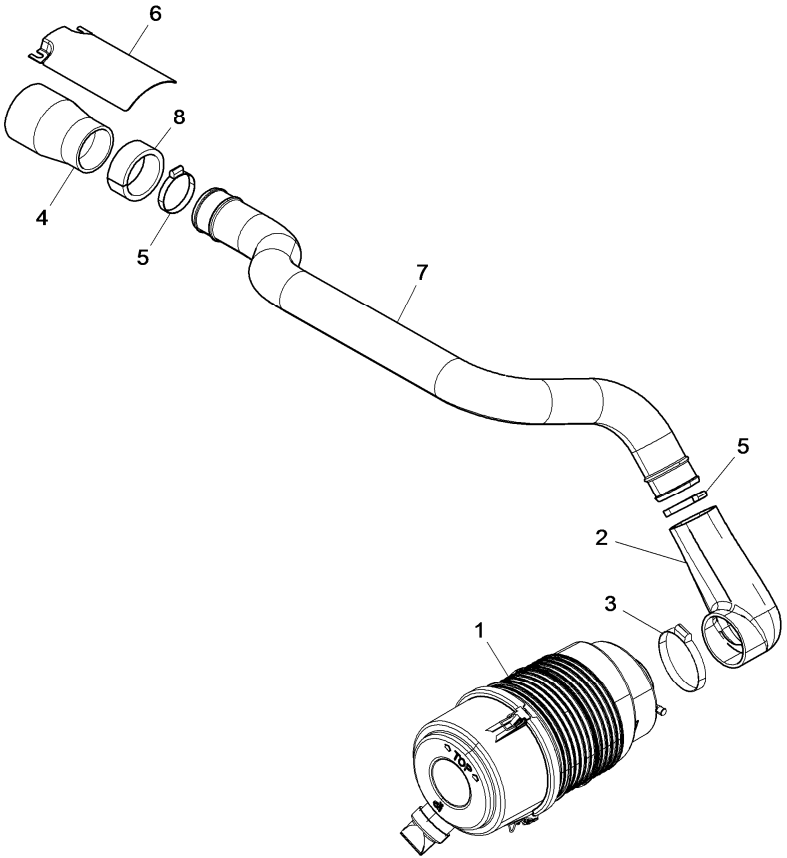
**C-32  
21**






C3221

Dry air filter, relevant pipes and fasteners

RS53\00046707.png



- |   |   |                             |            |
|---|---|-----------------------------|------------|
| 1   |  | C-32 20 1                   | 1 Filter   |
| 2   |   | 3673547M1                   | 1 Sleeve   |
| 3   |   | 394306X1                    | 1 Retainer |
| 4   |   | 3670561M4                   | 1 Sleeve   |
| 5   |   | 3307666M91                  | 2 Clamp    |
| 6   |   | 3671696M3                   | 1 Guard    |
| 7   |   | 6529403M1                   | 1 Pipe     |
| 8   |   | 6529889M1                   | 1          |
|  |   | See page - reference number |            |
|  |   | Replacement                 |            |

Inglese

Engine ancillary equipment

X4 Small Range Series (2015- ) - RS53 - X4.35

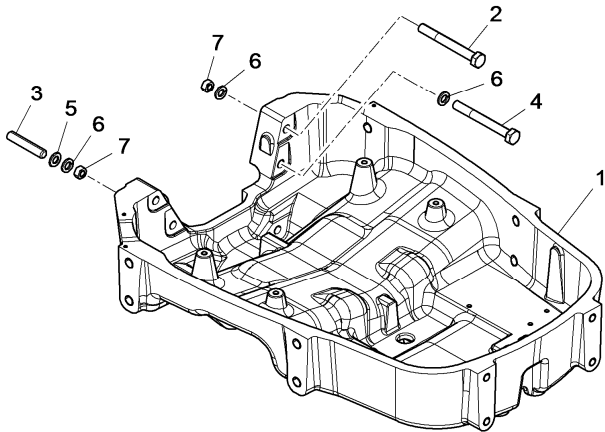
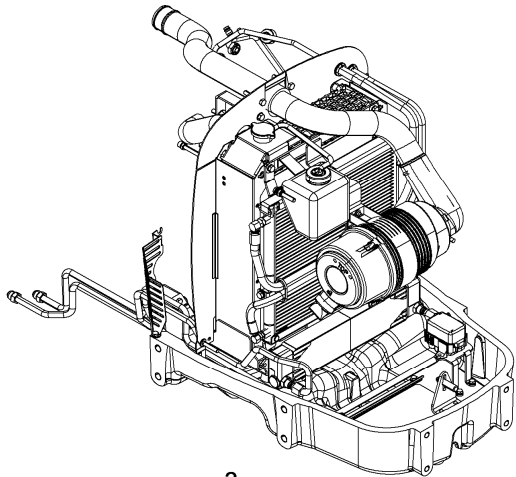
RS53\00046745.png

C-32  
30



C3230

Cooling system - radiator and bracket



- 1 6528497M3
- 2 339616X1    ◀▶ M16x120
- 3 1440042X1    ◀▶ M16x80
- 4 339498X1    ◀▶ M16x110
- 5 1441664X1
- 6 391414X1
- 7 339034X1
- ◀▶ Length

Inglese

- 1 Support
- 2 Bolt
- 2 Stud
- 2 Screw
- 4 Washer
- 6 Lock washer
- 4 Nut

Engine ancillary equipment

X4 Small Range Series (2015- ) - RS53 - X4.35

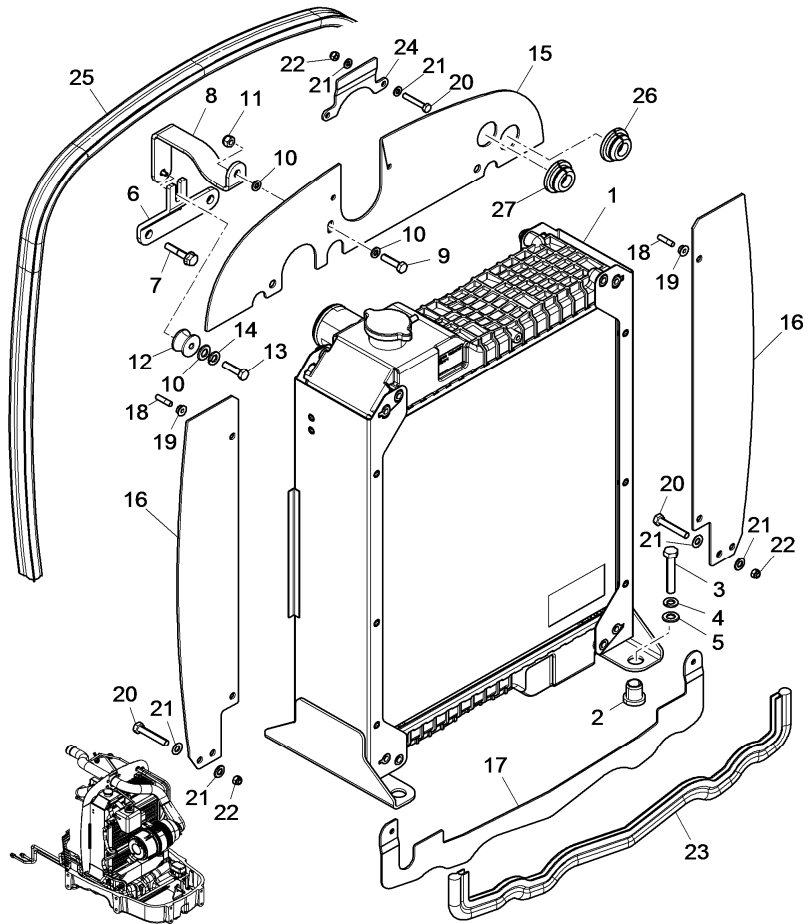
RS53\00046746.png

C-32  
31



C3231

Cooling system - radiator and bracket



		Inglese
1	3696115M92	1 Radiator
2	3671109M1	4 Pad
3	3009495X1 ◀▶ M10x40	4 Screw
4	1440314X1	4 Washer
5	390597X1	4 Washer
6	6530206M1	1 Stirrup
7	3009206X1 ◀▶ M10x25	2 Screw
8	6529402M91	1 Tie rod
9	339761X1 ◀▶ M8x25 ● 339666X1(1)	1 Screw
10	390972X1 ● Substitutions error	2 Washer
11	394367X1	1 Nut
12	6515332M91	1 Pad
13	339124X1 ◀▶ M8x16	1 Screw
14	1440313X1 ● Substitutions error	1 Lock washer
15	6529400M1 ▲	1 Panel
16	6529399M2	2 Panel
17	6532671M1 ▼	1 Panel
18	3689516X1 ◀▶ M8x16	4 Stud
19	3019124X1	4 Nut
20	339666X1 ◀▶ M6x20	4 Screw
21	390971X1	8 Washer
22	1441500X1	4 Nut
23	4217410M1 ◀▶ 720 mm	1 Gasket

Engine ancillary equipment

X4 Small Range Series (2015- ) - RS53 - X4.35

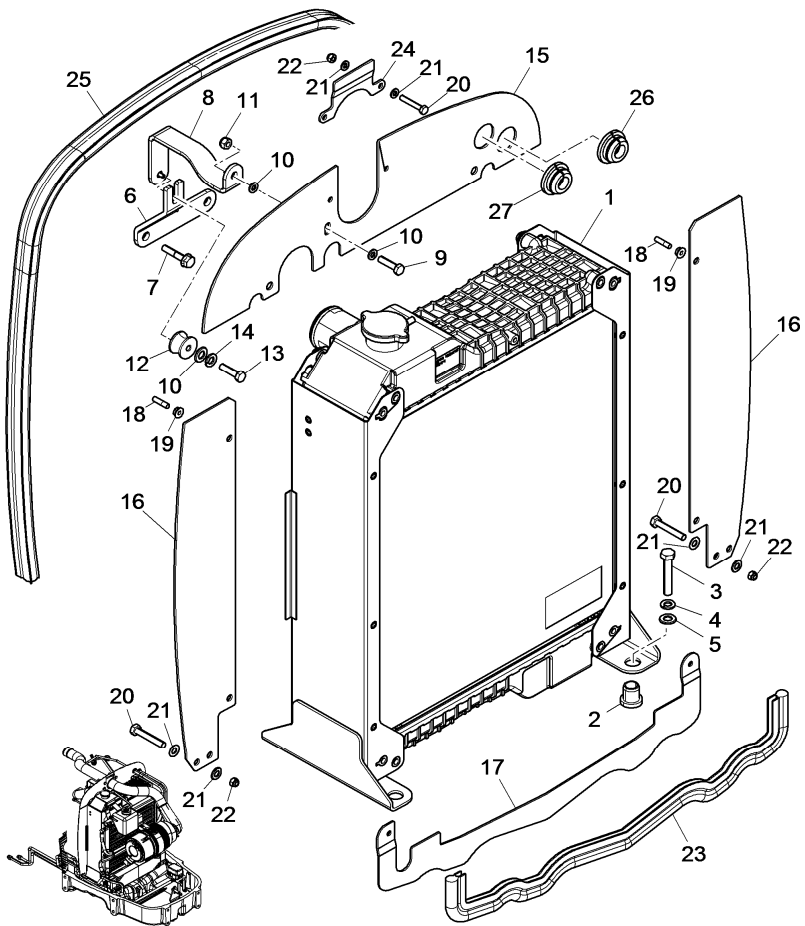
RS53\00046746.png

C-32  
31



C3231

Cooling system - radiator and bracket



- 24 6529401M1
- 25 6501426M1 ◀▶ 1842 mm
- 26 6525898M2
- 27 6525899M2
- ▲ Top
- ▼ Lower component
- ◀▶ Length
- Replacement

Inglese

- 1 Wall
- 1 Gasket
- 1 Chock
- 1 Chock

Engine ancillary equipment

X4 Small Range Series (2015- ) - RS53 - X4.35

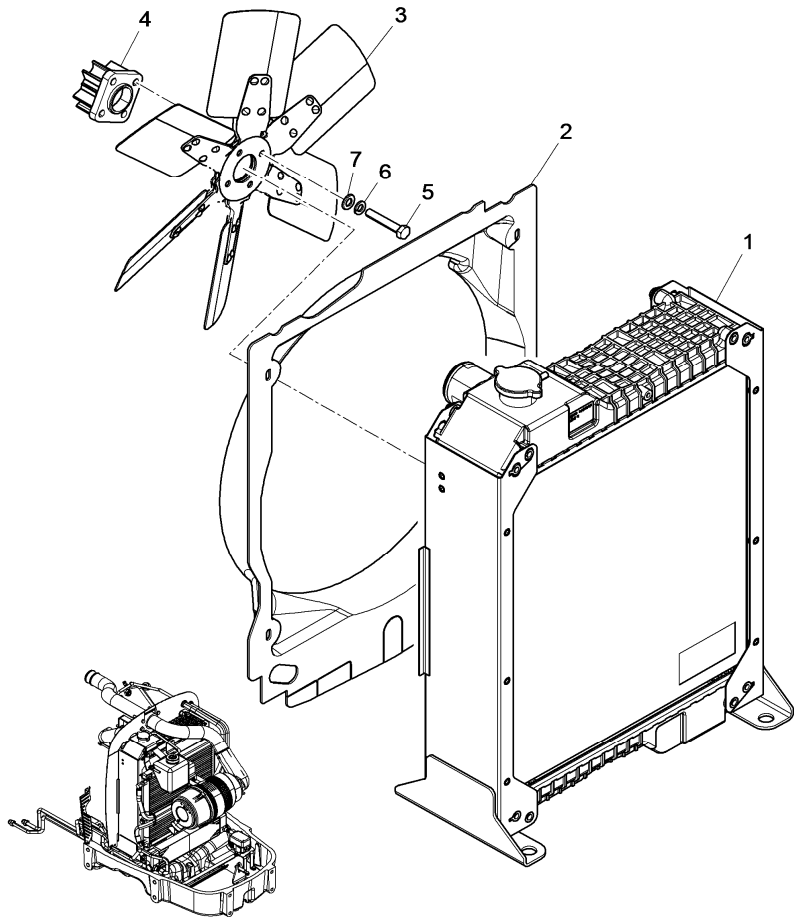
RS53\00046747.png

C-32  
32



C3232

Cooling system



		Inglese
1	C-32 31 1	1 Radiator
2	4206077M1	1 Conveyor
3	3650857M91	1 Fan
	3686346M91	
	18" - "perkins"	
3	3686346M91	1 Fan
	3650857m91	
	18" - "rosati"	
4	3656076M2	1 Spacer
5	339123X1	4 Screw
	M8x75	
	000160434210(4)	
6	1440313X1	4 Lock washer
7	390972X1	4 Washer
	See page - reference number	
	Alternative	
	Length	
	Replacement	

Engine ancillary equipment

X4 Small Range Series (2015- ) - RS53 - X4.35

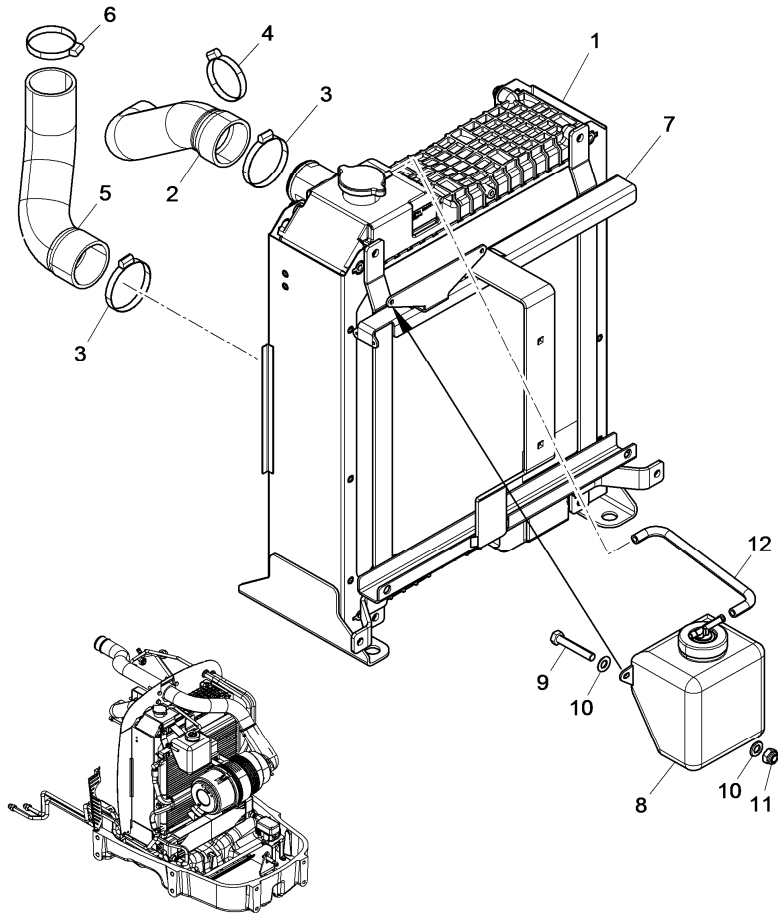
RS53\00046748.png

**C-32  
33**



C3233

Cooling system - pipings



		Inglese
1	C-32 31 1	1 Radiator
2	4219382M2	1 Pipe
3	3307668M91	2 Clamp
4	3307666M91	1 Clamp
5	3671025M1	1 Pipe
6	3307667M91	1 Clamp
7	C-32 20 10	1 Support
	A	
7	C-32 20 11	1 Support
	B	
	C	
8	3671427M92	1 Tank
9	339721X1	2 Screw
10	390469X1	4 Washer
11	1441494X1	2 Nut
12	3546966M1	1 Pipe
	See page - reference number	
	Length	
	Replacement	
A	With cab conditioned air	
B	Cab without conditioned air	
C	With platform	

Engine ancillary equipment

X4 Small Range Series (2015- ) - RS53 - X4.35

RS53\00046846.png

**C-32**  
**50**



C3250

Heater - engine block

**Inglese**

1 6532647M91 B

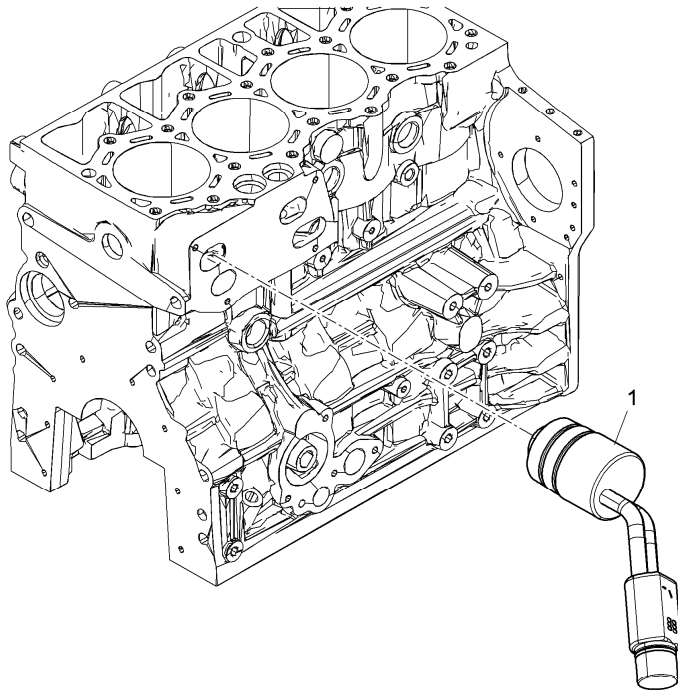
1 Heater

1 6532648M91 A

1 Heater

A Excluded "n.a.o." market

B N.a.o. market



Engine ancillary equipment

X4 Small Range Series (2015- ) - RS53 - X4.35

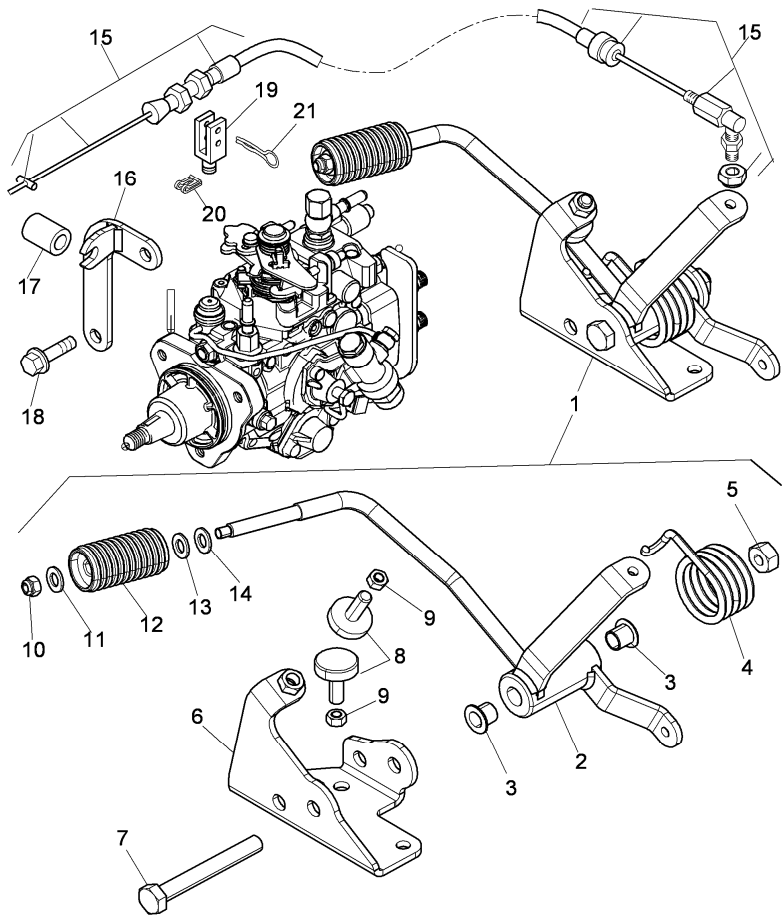
RS53\00046724.png

**C-32  
60**



C3260

Foot accelerator



Inglese

-	A		
1	6530776M93		1
2	6530777M92	! 1	1 Pedal
3	6521119M1	! 1	2 Bush
4	6520826M2	! 1	1 Spring
5	1441932X1	! 1	2 Nut
6	6530775M92	! 1	1 Support
7	390122X1	◄ M10x80mm	2 Screw
		! 1	
8	3542670M91	! 1	2 Pad
9	339169X1	● 394367X1(2)	2 Nut
10	1441500X1	! 1	1 Nut
11	1440273X1	! 1	1 Washer
12	6510553M1	! 1	1 Roller
13	1440273X1	! 1	1 Washer
14	1440273X1	! 1	1 Washer
15	6530644M92		1 Cable
16	6530756M91		1 Stirrup
17	3304119M1		1 Spacer
18	3009193X1	◄ M8x20mm	1 Screw
18	3009198X1	◄ M8x45mm	1 Screw
19	3669845M2		1 Pin
20	3308153M1		1 Clip
21	3000009X1	● 1442962X1(1)	2 Linch pin

! This is a component of an assembly

Engine ancillary equipment

C-32  
60

Foot accelerator

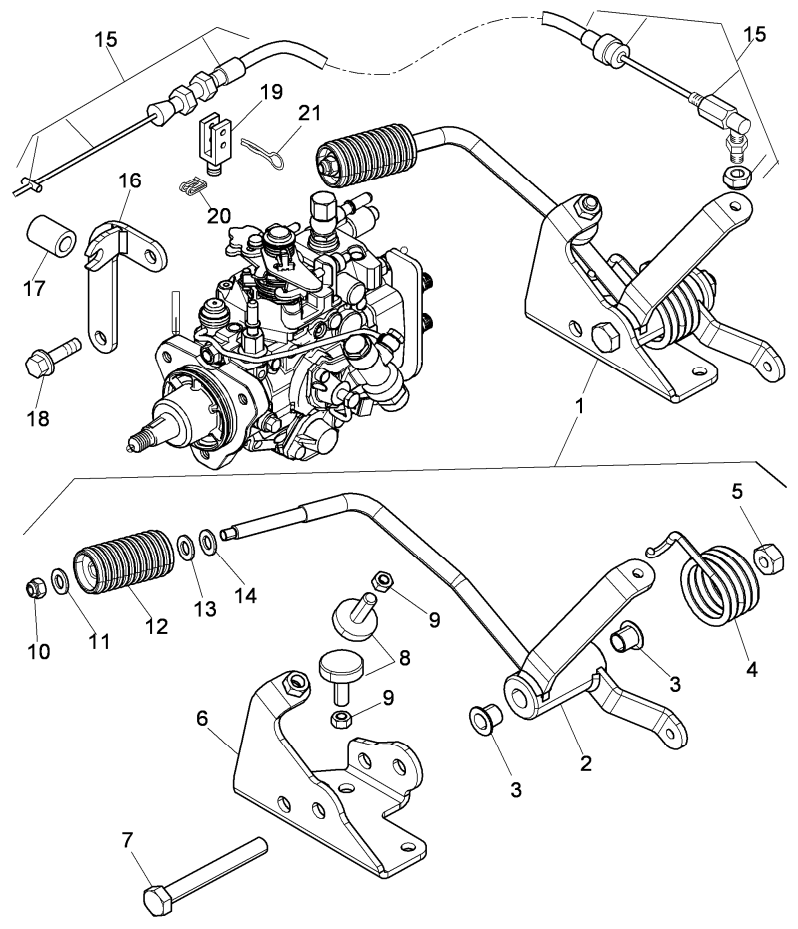
X4 Small Range Series (2015- ) - RS53 - X4.35



C3260

RS53\00046724.png

- ◄ Length
- Replacement
- A Hand throttle only



Engine ancillary equipment

X4 Small Range Series (2015- ) - RS53 - X4.35

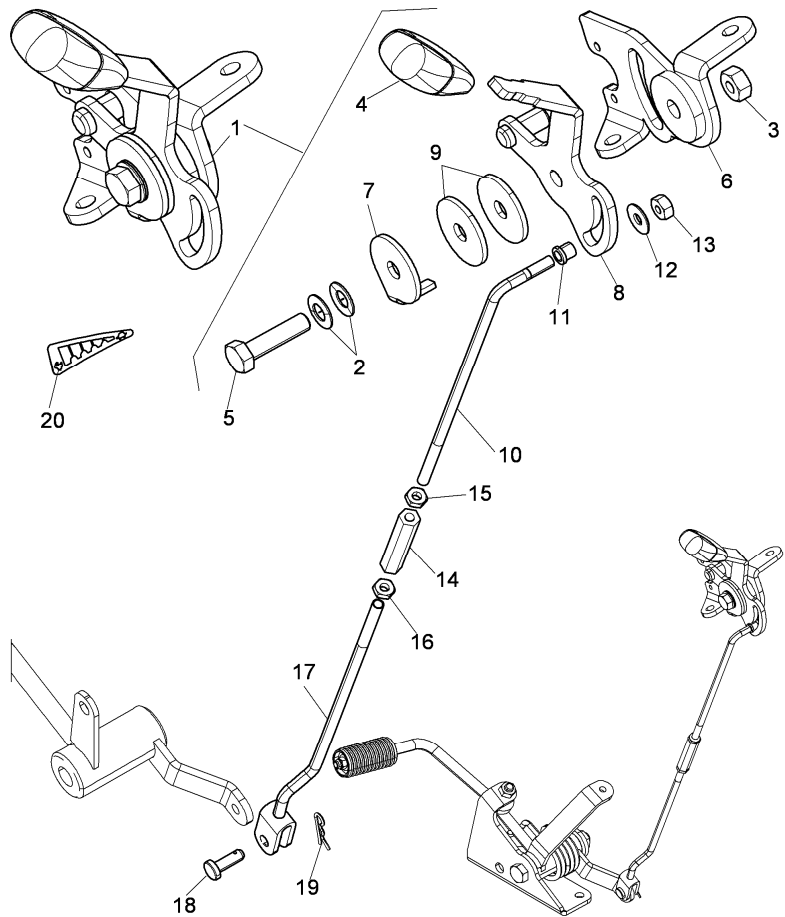
RS53\00046725.png

C-32  
61



C3261

Hand accelerator



Inglese

-	A		
1	6520955M94		1
2	1441075X1	!	1
3	1441932X1	!	1
4	177106A1	!	1
5	3009495X1	◄▶	M10x40
		!	1
6	6520816M92	!	1
7	6520819M2	!	1
8	6520953M94	!	1
9	973078M2	!	1
10	6521044M1	▲	1
11	6521046M1		1
12	391038X1		1
13	1441462X1		1
14	1425687M1		1
15	4217691X1	▲	1
16	339030X1	●	1441500X1(1)
17	6521045M91	▼	1
18	392232X1		1
19	359020X1		1
20	6527122M1		1
!	This is a component of an assembly		
▲	Top		
▼	Lower component		
◄▶	Length		

Engine ancillary equipment

**C-32  
61**

Hand accelerator

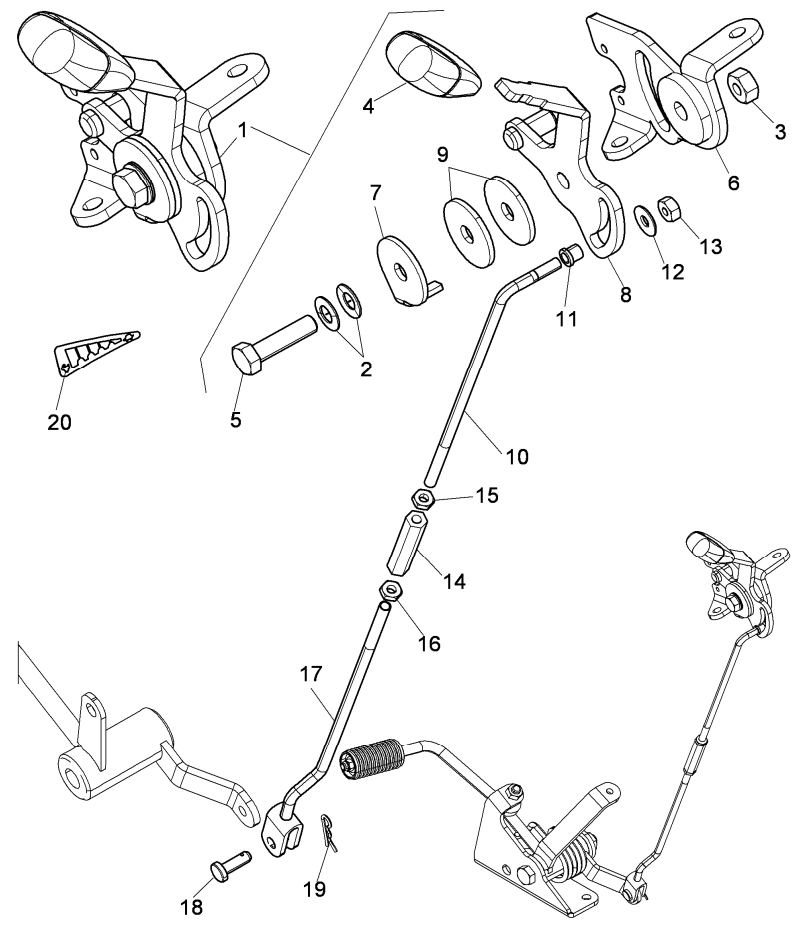
X4 Small Range Series (2015- ) - RS53 - X4.35



C3261

RS53\00046725.png

- Replacement
- A Hand throttle only



Engine ancillary equipment

X4 Small Range Series (2015- ) - RS53 - X4.35

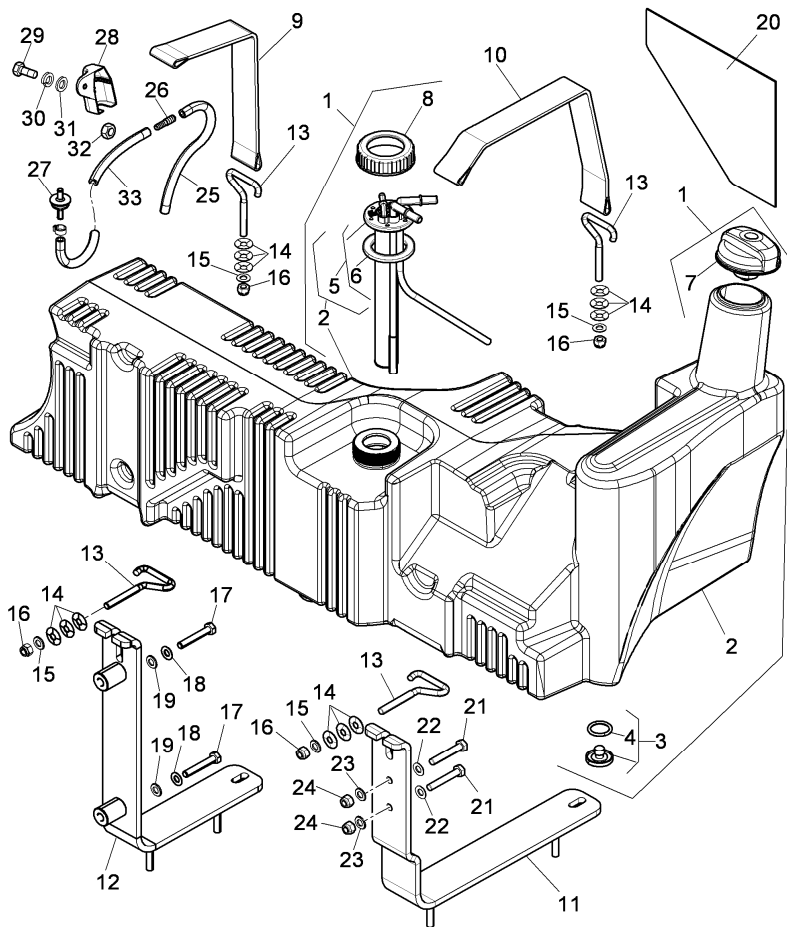
**C-32  
70**



C3270

Fuel tank

RS53\00046705.png



- |    |            |    |               |  |
|----|------------|----|---------------|--|
| 1  | 6528528M91 |    |               |  |
| 2  | 6528529M91 | !  | 1             |  |
| 3  | 6507057M1  | !  | 2             |  |
| 4  | 6507055M1  | !  | 3             |  |
| 5  | 6528913M91 | !  | 1             |  |
| 6  | 3657948M1  | !  | 5             |  |
| 7  | 6510580M91 | !  | 2             |  |
|    | ●          |    | 3664253M91(1) |  |
| 8  | 3654964M1  | !  | 1             |  |
| 9  | 6528284M1  |    |               |  |
| 10 | 6528283M1  |    |               |  |
| 11 | 6528280M91 | A  |               |  |
| 12 | 6528282M91 | A  |               |  |
| 13 | 3685139M2  |    |               |  |
| 14 | 973079M1   |    |               |  |
| 15 | 390597X1   |    |               |  |
| 16 | 1440329X1  |    |               |  |
| 17 | 3009501X1  | ◀▶ | M10x70mm      |  |
| 18 | 1440314X1  |    |               |  |
| 19 | 390734X1   |    |               |  |
| 20 | 6523715M1  |    |               |  |
| 21 | 3009495X1  | ◀▶ | M10x40mm      |  |
| 22 | 390734X1   |    |               |  |
| 23 | 390734X1   |    |               |  |
| 24 | 1440329X1  |    |               |  |

**Inglese**

- |    |           |
|----|-----------|
| 1  | Tank      |
| 1  | Tank      |
| 1  | Plug      |
| 1  |           |
| 1  | Indicator |
| 1  | Gasket    |
| 1  | Plug      |
| 1  |           |
| 1  | Ferrule   |
| 1  | Belt      |
| 1  | Belt      |
| 1  | Stirrup   |
| 1  | Stirrup   |
| 4  | Tie rod   |
| 20 | Spring    |
| 6  | Washer    |
| 4  | Nut       |
| 2  | Screw     |
| 2  | Washer    |
| 2  | Washer    |
| 1  | Shield    |
| 2  | Screw     |
| 2  | Washer    |
| 2  | Washer    |
| 4  | Nut       |

Engine ancillary equipment

X4 Small Range Series (2015- ) - RS53 - X4.35

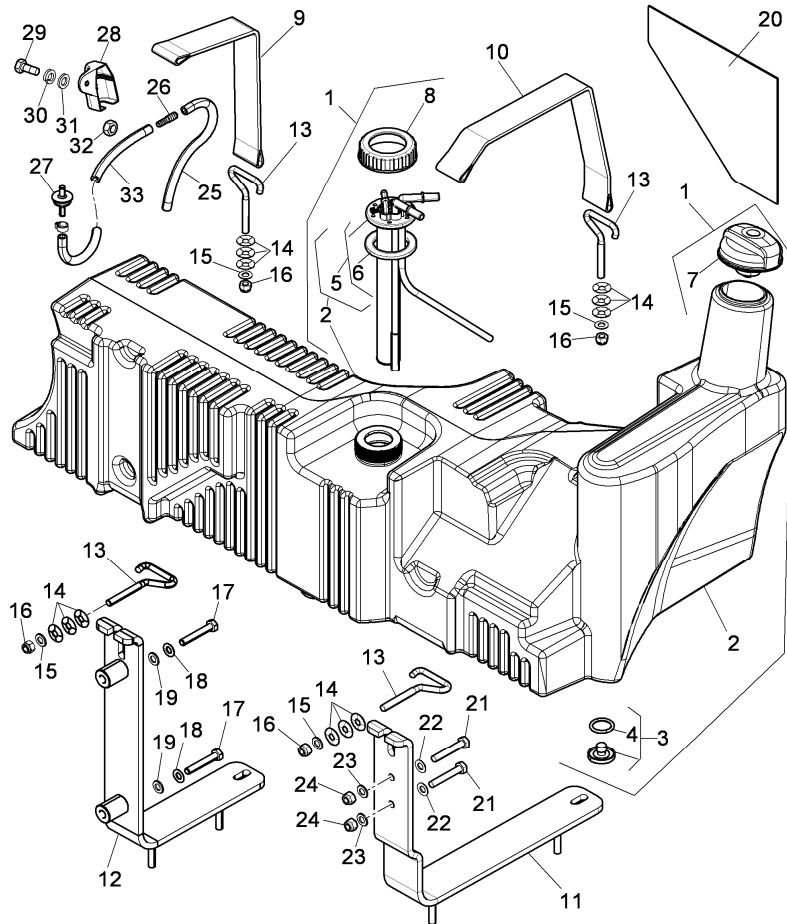
RS53\00046705.png

**C-32  
70**



C3270

Fuel tank



Inglese

- |    |            |   |                     |             |             |
|----|------------|---|---------------------|-------------|-------------|
| 25 | 4217381M1  |   | 1                   | Pipe        |             |
| 26 | 6531205M1  |   | 1                   | Final drive |             |
| 27 | 3683798M91 |   | 1                   | Valve       |             |
| 28 | 186814A1   |   | 1                   | Sleeve      |             |
| 29 | 339123X1   | ● | 000160434210(1)     | 1           | Screw       |
| 30 | 391037X1   |   |                     | 1           | Lock washer |
| 31 | 390972X1   | ● | Substitutions error | 2           | Washer      |
| 32 | 339169X1   | ● | 394367X1(1)         | 1           | Nut         |
| 33 | 4220286M1  | ● | 3675081M1(1)        | 1           | Pipe        |

- ! This is a component of an assembly
- ◄ Length
- Replacement
- A Rear

Engine ancillary equipment

X4 Small Range Series (2015- ) - RS53 - X4.35

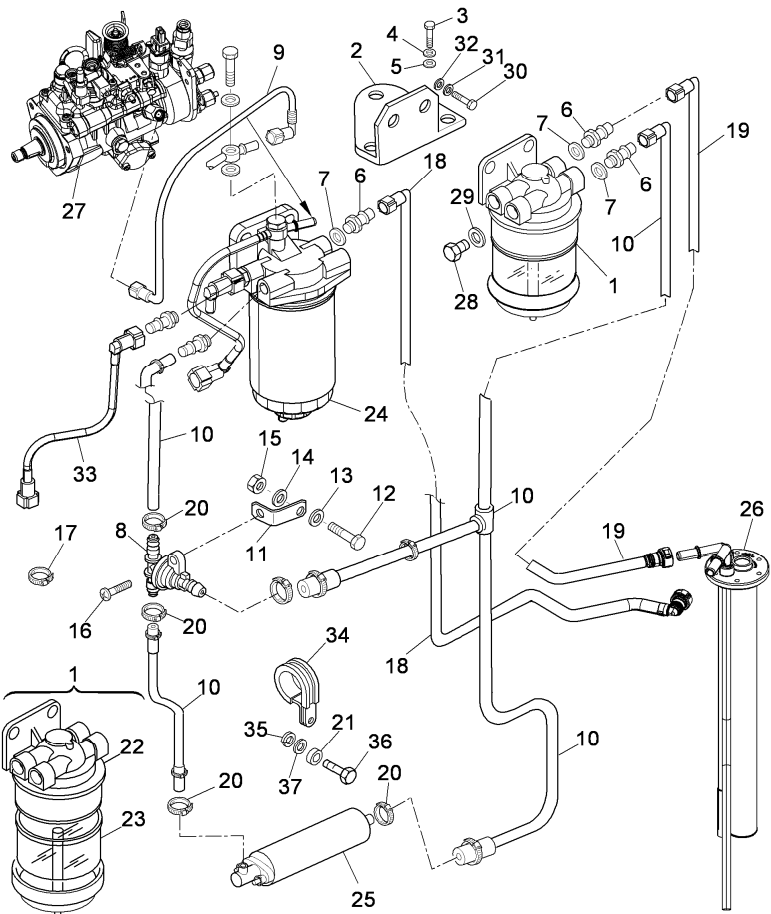
RS53\00046719.png

**C-32**  
**71**



C3271

Fuel system - decantation fuel filter



		Inglese
1	3650646M91	1 Pre filter
2	3693740M92	1 Support
3	339228X1	M8x12 2 Screw
4	390972X1	● Substitutions error 2 Washer
5	1440313X1	● Substitutions error 2 Lock washer
6	4207284M1	3 Union
7	731338M1	● 0920154(3) 3 Gasket
8	4208226M91	● 6509149M91(1) 1 Valve
9	⊕ A-05 ....	1 Pipe
10	4208283M92	1 Pipe
11	4208291M91	1 Stirrup
12	339666X1	M6x20 1 Screw
13	390971X1	1 Washer
14	339375X1	M6 1 Lock washer
15	339030X1	● 1441500X1(1) M6 1 Nut bsf
16	3009537X1	M5x20 1 Screw
17	3551941M1	3 Clamp
18	6532814M91	1 Pipe
19	6532815M91	1 Pipe
20	3533937M1	2 Clamp
21	3304119M1	2 Spacer
22	26560156	! 1 1 Coperch.
23	26560075	! 1 1 Bowl

Engine ancillary equipment

X4 Small Range Series (2015- ) - RS53 - X4.35

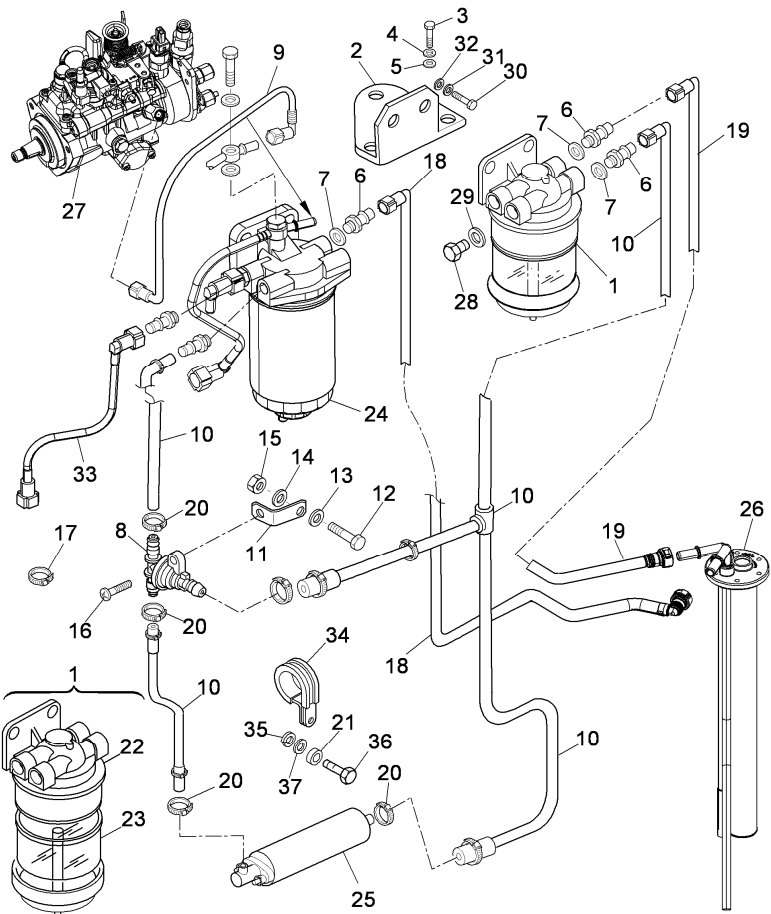
RS53\00046719.png

**C-32  
71**



C3271

Fuel system - decantation fuel filter



Inglese

24	↯	A-05 ....	1 Filter
25		4210980M91	1 Pump
26	↯	C-32 70 5	1 Indicator
27	↯	A-05 ....	1 Pump
28	●	731364M1	2 Plug
29	●	731338M1	2 Gasket
30	●	339761X1	2 Screw
		M8x25	
31	∅	390972X1	2 Washer
	●	8mm	
	●	Substitutions error	
32	●	1440313X1	2 Lock washer
33	↯	A-05 ....	1 Pipe
34		3673071M91	2 Clamp
35	●	1440313X1	2 Lock washer
36	◄	339168X1	2 Screw
		M8x50mm	
37	●	1440313X1	2 Lock washer
!		This is a component of an assembly	
↯		See page - reference number	
◄		Length	
∅		Diameter	
●		Replacement	

Engine ancillary equipment

X4 Small Range Series (2015- ) - RS53 - X4.35

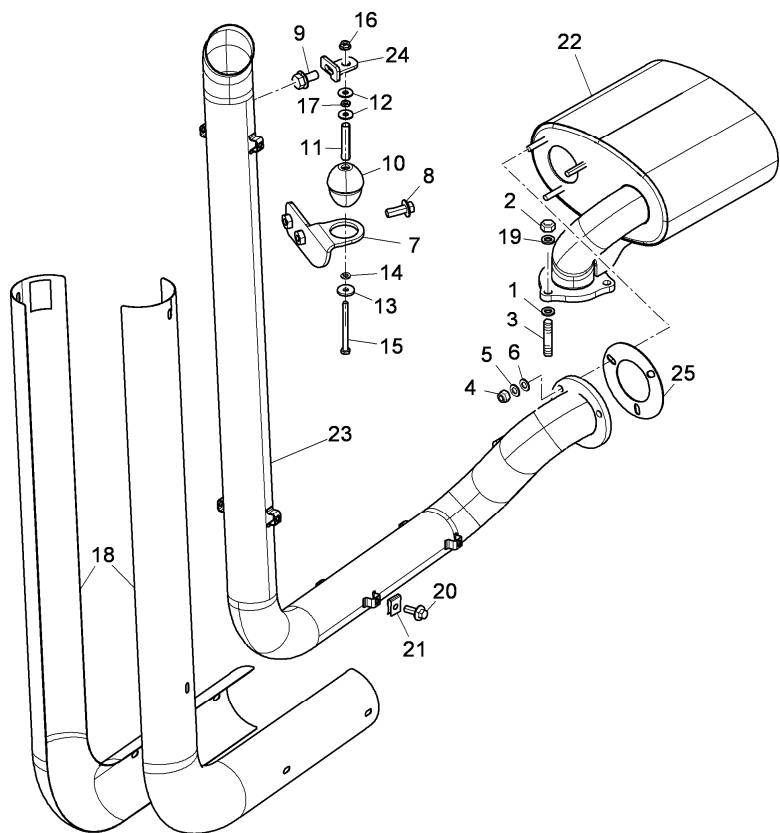
RS53\00046718.png

C-32  
80



C3280

Exhaust system - vertical

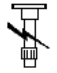


Inglese

	A		
-			
1	390972X1	● Substitutions error	3 Washer
2	339169X1	● 394367X1(3)	3 Nut
3	391005X1	◄ M10x25	3 Stud
4	3009693X1	● Substitutions error	3 Nut
5	390597X1		3 Washer
6	1440314X1		3 Washer
7	6521313M91		1 Stirrup
8	3009205X1	◄ M10x20	2 Screw
9	3009192X1	◄ M8x16	1 Screw
10	6519755M1		1 Pad
11	6519234M1		1 Spacer
12	391038X1		2 Washer
13	390036X1		1 Washer
14	339375X1		1 Lock washer
15	3009035X1	◄ M6x75	1 Screw
16	3019123X1		1 Nut
17	1440207X1	● 392308X1(1)	1 Nut
18	6530860M1		1 Shield
19	1440313X1	● Substitutions error	3 Lock washer
20	3009181X1	◄ M6x12	8 Screw
21	3010070X1		8 Nut
22	6529316M92		1 Silencer
23	6530208M92		1 Pipe

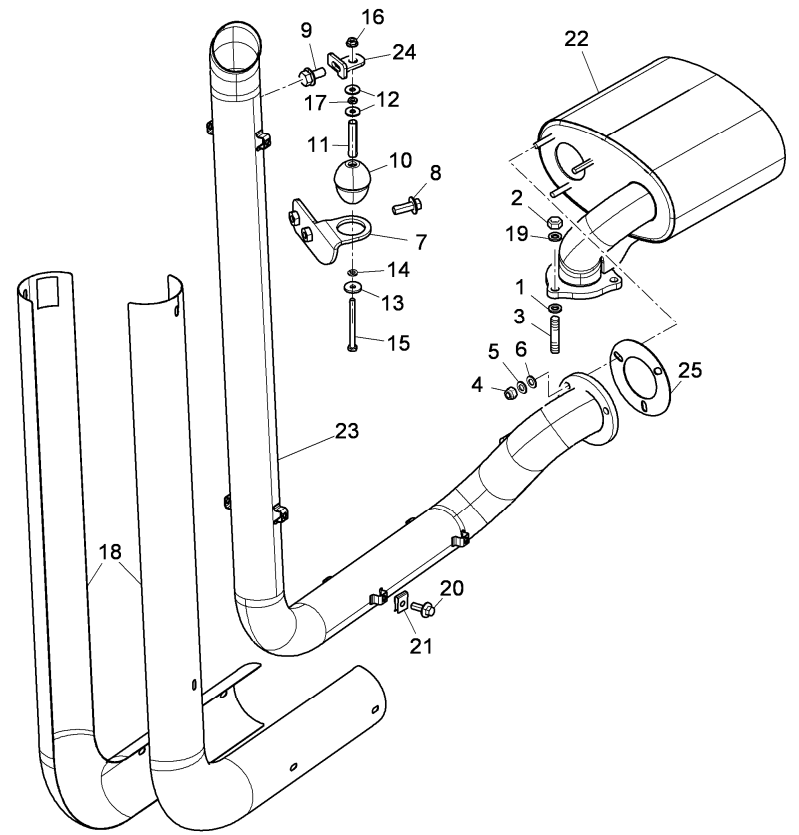
Engine ancillary equipment

X4 Small Range Series (2015- ) - RS53 - X4.35

**C-32**  
**80**  
 C3280

Exhaust system - vertical

RS53\00046718.png



- 24 6600025A2
- 25 6601153A1
- ◄► Length
- Replacement
- A With cab

- Inglese**
- 1 Stirrup
  - 1 Gasket

Engine ancillary equipment

X4 Small Range Series (2015- ) - RS53 - X4.35

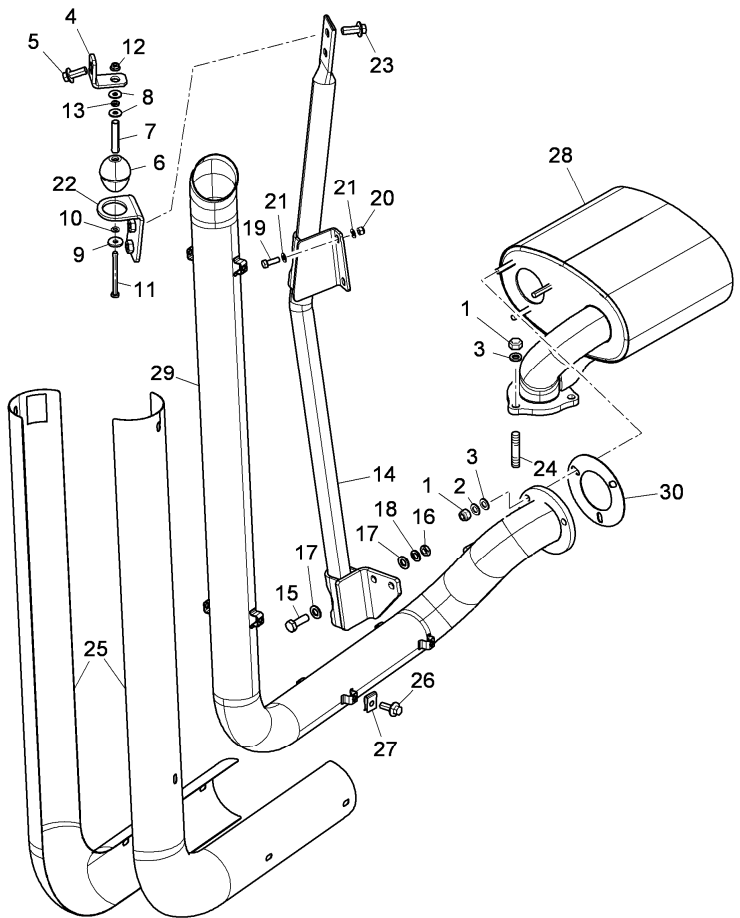
RS53\00046728.png

**C-32  
805**



C32805

Exhaust system - vertical



Inglese

-	A		
1 3009693X1	●	Substitutions error	3 Nut
2 390597X1			3 Washer
3 1440314X1			3 Washer
4 6529383M1			1 Stirrup
5 3009192X1	◄	M8x16	1 Screw
6 6519755M1			1 Pad
7 6519234M1			1 Spacer
8 391038X1			2 Washer
9 390936X1			1 Bush
10 339375X1			1 Lock washer
11 3009035X1	◄	M6x75	1 Screw
12 3019123X1			1 Nut
13 1440207X1	●	392308X1(1)	1 Nut
14 6527208M92			1 Frame
15 3009507X1	◄	M12x35	2 Screw
	●	391375X1(2)	
16 3009696X1			2 Nut
17 390735X1	●	Substitutions error	4 Washer
18 339369X1			2 Washer
19 339761X1	◄	M8x25	2 Screw
	●	339666X1(2)	
20 394367X1			2 Nut
21 390972X1	●	Substitutions error	4 Washer
22 6531903M91			1 Stirrup

Engine ancillary equipment

X4 Small Range Series (2015- ) - RS53 - X4.35

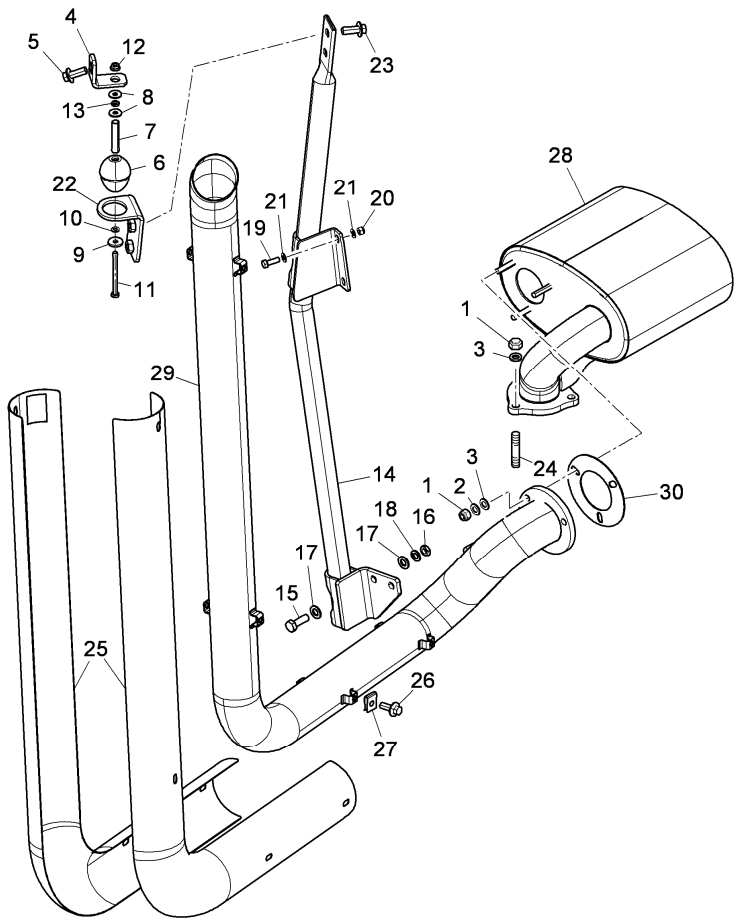
RS53\00046728.png

C-32  
805



C32805

Exhaust system - vertical



23 3009206X1 ◀▶ M10x25

24 391005X1 ◀▶ M10x25

25 6530860M1

26 3009181X1 ◀▶ M6x12

27 3010070X1

28 6529316M92

29 6530208M92

30 6601153A1

◀▶ Length

● Replacement

A With platform

Inglese

2 Screw

3 Stud

1 Shield

8 Screw

8 Nut

1 Silencer

1 Pipe

1 Gasket



**Suggest:**

**For more complete manuals. Please go to the home page.**

**<https://www.ebooklibonline.com>**

**If the above button click is invalid. Please download this document first, and then click the above link to download the complete manual.**

**Thank you so much for reading**

Engine ancillary equipment

X4 Small Range Series (2015- ) - RS53 - X4.35

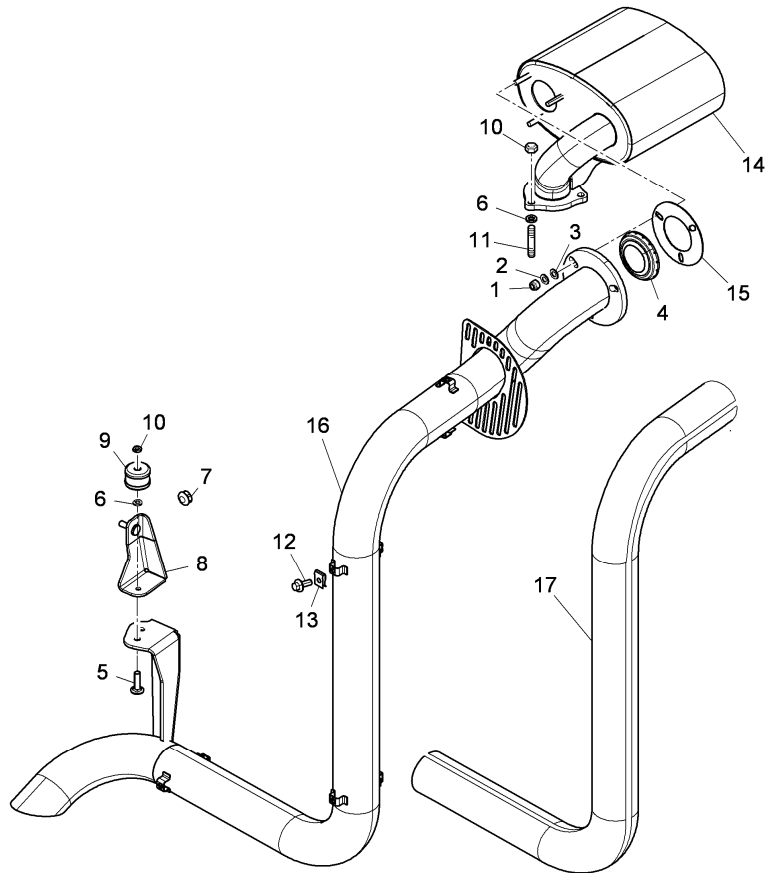
RS53\00046722.png

**C-32**  
**81**



C3281

Exhaust system - horizontal

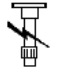


		Inglese
-	A	
1	3009693X1	● Substitutions error 3 Nut
2	390597X1	3 Washer
3	1440314X1	3 Washer
4	6532545M1	1 Diaphragm
5	339761X1	◄ M8x25 2 Screw
		● 339666X1(2)
6	390972X1	● Substitutions error 2 Washer
7	3652566M1	2 Plug
8	6526663M92	1 Support
9	6522214M91	1 Pad
10	339169X1	● 394367X1(2) 2 Nut
11	391005X1	◄ M10x25 3 Stud
12	3009181X1	◄ M6x12 8 Screw
13	3010070X1	8 Nut
14	6529316M92	1 Silencer
15	6601153A1	1 Gasket
16	6600448A1	1 Muffler
17	6601192A1	1 Kit
◄	Length	
●	Replacement	
A	With platform	

Engine ancillary equipment

X4 Small Range Series (2015- ) - RS53 - X4.35

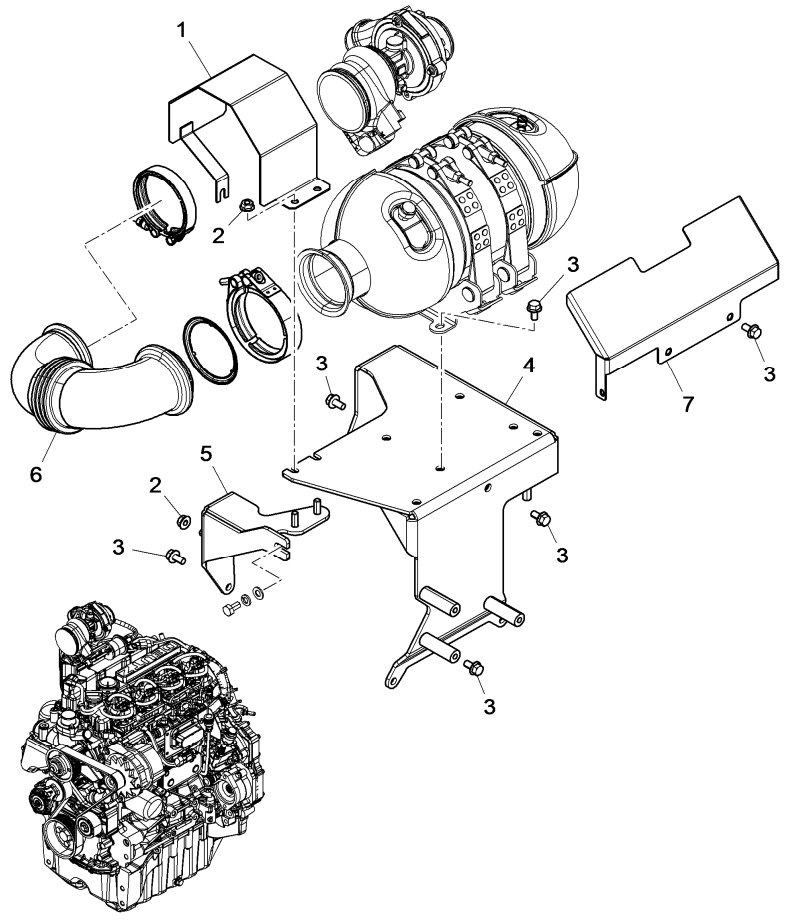
**C-32  
90**



C3290

Dpf filter piping and protection

RS53\00046688.png



- 1 6523149M92
- 2 3019124X1
- 3 3009192X1 ◀▶ M8x16
- 4 6520480M92
- 5 6525064M91
- 6 6520180M91
- 7 6532879M91
- ◀▶ Length

- Inglese**
- 1 Shield
  - 4 Nut
  - 11 Screw
  - 1 Support
  - 1 Reinforcement
  - 1 Pipe
  - 1 Shield

**<https://www.ebooklibonline.com>**

Hello dear friend!

Thank you very much for reading.

Enter the link into your browser.

The full manual is available for immediate download.

**<https://www.ebooklibonline.com>**