

Engine

X4 Small Range Series (2015- ) - RS53 - X4.30

A-05  
01



A0501

Engine assembly

RS53\00046687.png

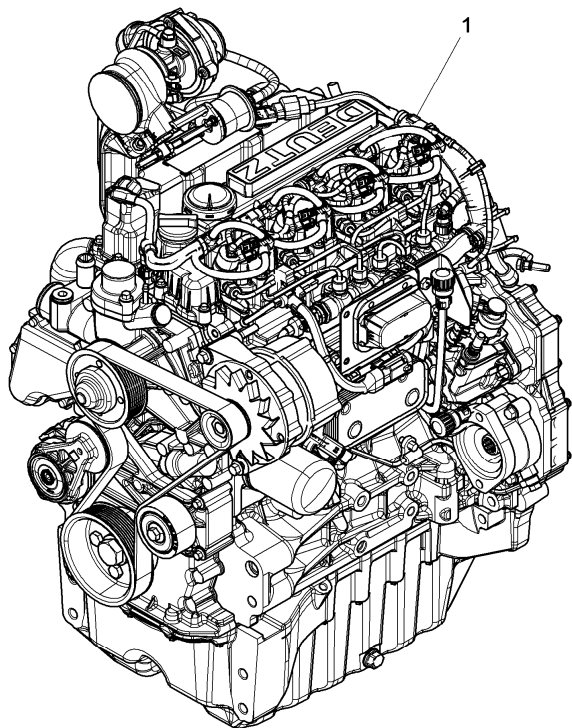
Inglese

1 6516376M91

"deutz" tcd 2.9 I4

1 Engine

55,4 kw



Engine ancillary equipment

X4 Small Range Series (2015- ) - RS53 - X4.30

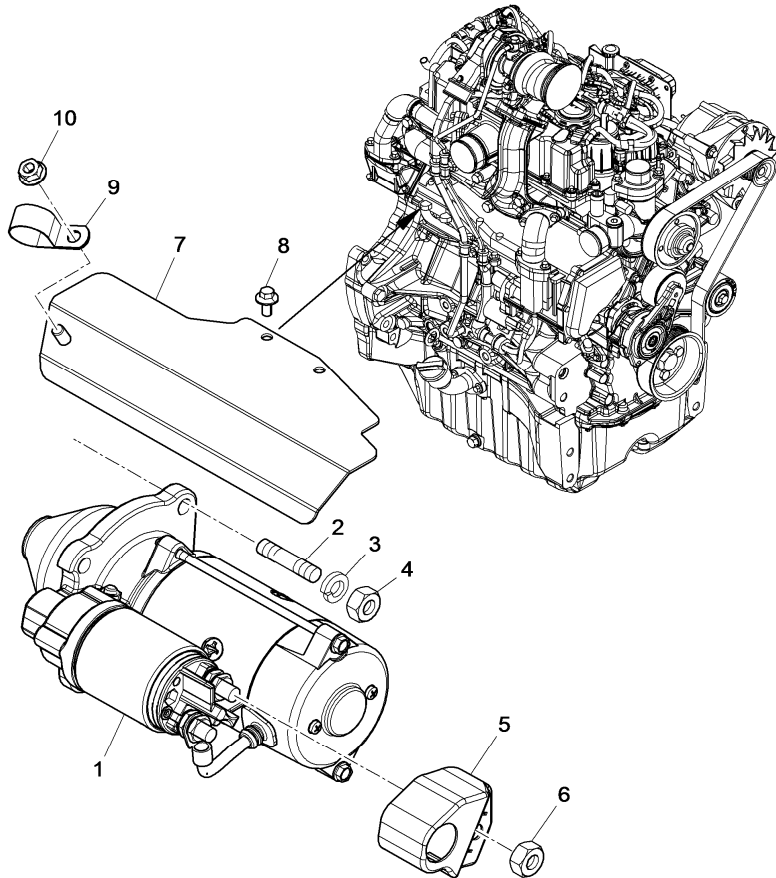
RS53\00046690.png

C-32  
10



C3210

Starter motor - iskra type



- 1 6525845M91 Iskra 3.2 kw
- 2 3015455X1 ◀▶ M10x30
- 3 1440314X1
- 4 3019125X1
- 5 6502050M1
- 6 395378A1
- 7 6533225M91
- 8 3009181X1 ◀▶ M6x12
- 9 515-22254
- 10 3019124X1
- ◀▶ Length

Inglese

- 1 Startermotor
- 3 Stud
- 3 Washer
- 3 Nut
- 1 Coperch.
- 1 Nut
- 1 Shield
- 2 Screw
- 1 Connector
- 1 Nut

Engine ancillary equipment

X4 Small Range Series (2015- ) - RS53 - X4.30

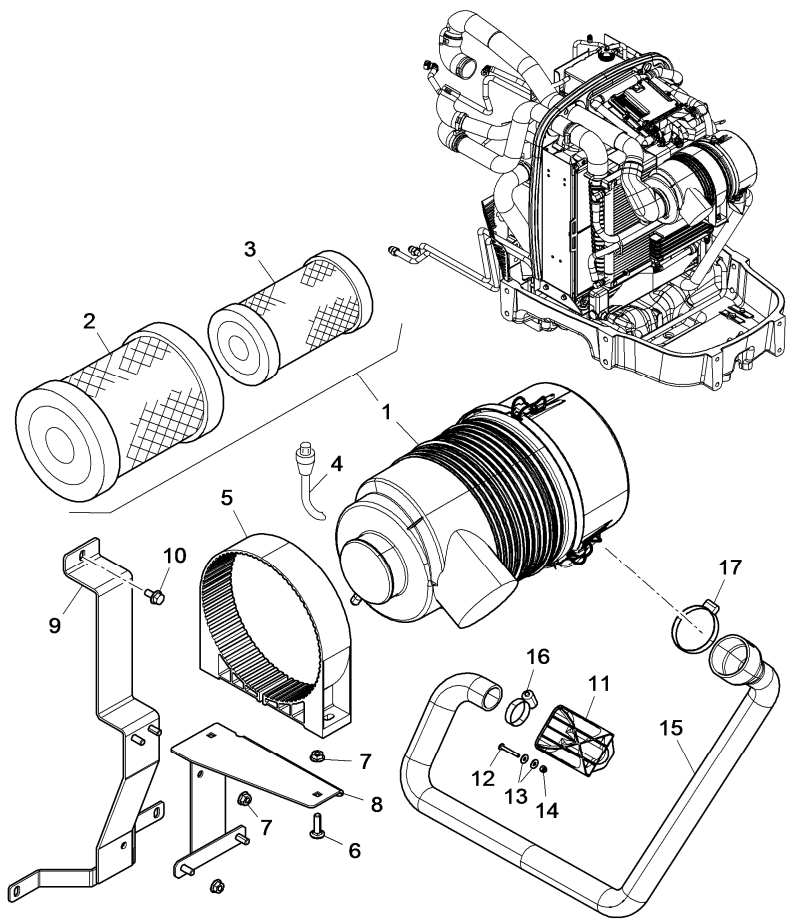
RS53\00046699.png

C-32  
20



C3220

Dry air filter - dual element



		Inglese
1	3545858M91	8" donaldson
2	3540051M1	! 1
3	3540052M1	! 1
4	3671631M91	1 Indicator
5	3655917M1	1 Clamp
6	385371X1	◄► M8x30
		● 385376X1(2)
7	3019124X1	4 Nut
8	6532820M91	1 Support
9	6527850M91	1 Frame
10	3009192X1	◄► M8x16
11	6500644M2	A 1 Sensor
12	3009532X1	◄► M4x16
		A
13	3001856X1	A 6 Washer
14	3019139X1	A 3 Nut
15	6523197M2	A 1 Pipe
16	3019572X1	A 1 Clamp
17	3307667M91	A 1 Clamp

! This is a component of an assembly

◄► Length

● Replacement

A With ejector

**<https://www.ebooklibonline.com>**

Hello dear friend!

Thank you very much for reading.

Enter the link into your browser.

The full manual is available for immediate download.

**<https://www.ebooklibonline.com>**

Engine ancillary equipment

X4 Small Range Series (2015- ) - RS53 - X4.30

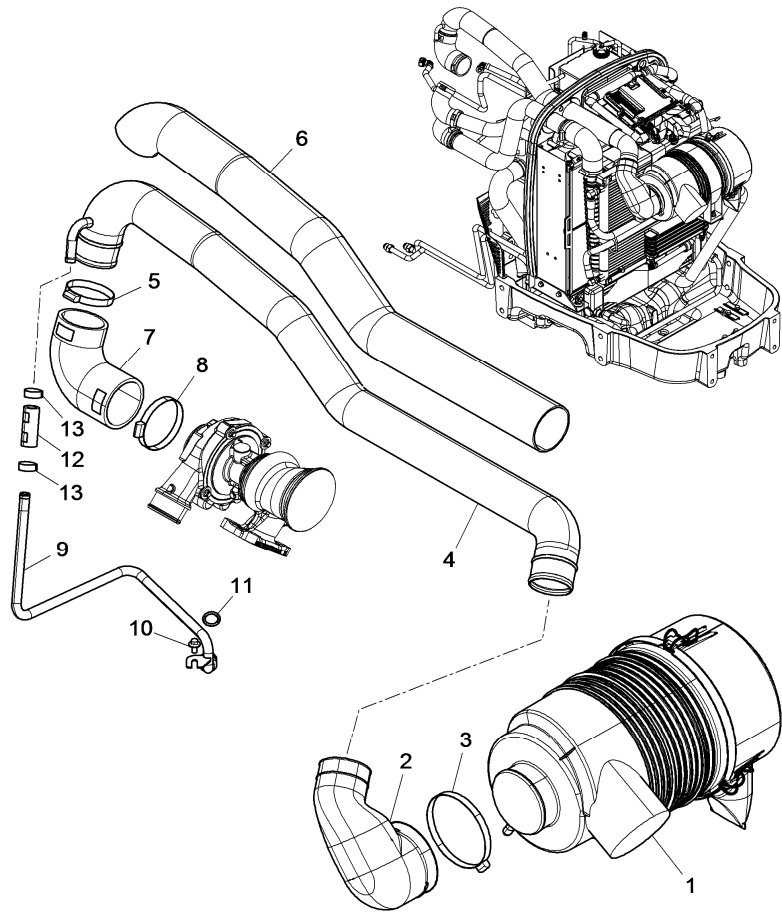
RS53\00046700.png

**C-32  
21**



C3221

Dry air filter, relevant pipes and fasteners



		Inglese
1	C-32 20 1	1 Filter
2	6510427M2	1 Manicott
3	394306X1	1 Retainer
4	6528264M91	1 Pipe
5	3307667M91	2 Clamp
6	4220581M1	1 Guard
7	6520607M3	1 Manicott
8	3307668M91	1 Clamp
9	6526149M92	1 Pipe
10	3009181X1	1 Screw
11	3667967X1	1 Ring
		17,12x2,62
12	6527606M1	1 Manicott
13	3648429M1	2 Clamp
		See page - reference number
		Length
		Replacement

Engine ancillary equipment

X4 Small Range Series (2015- ) - RS53 - X4.30

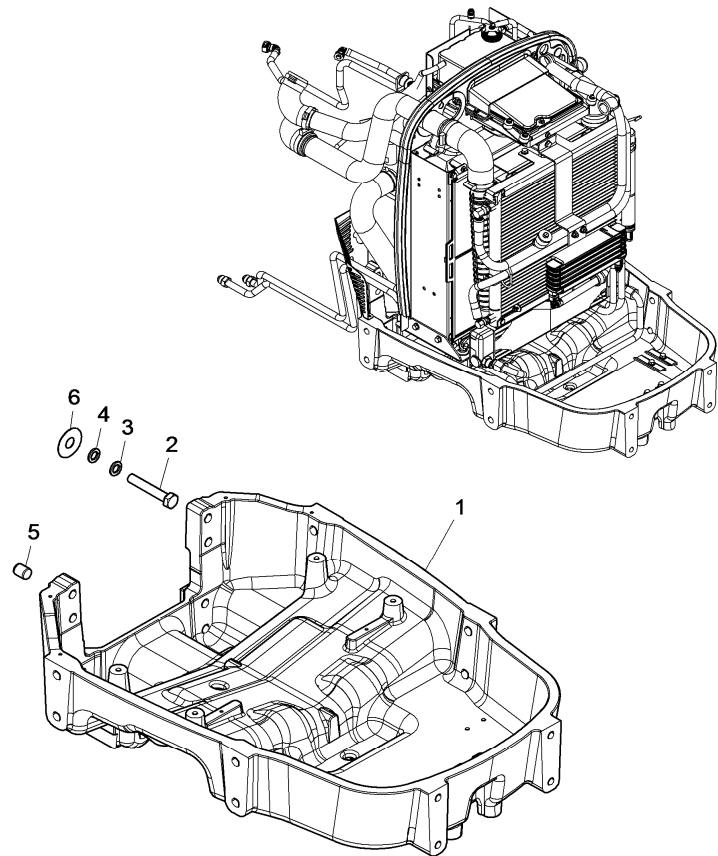
RS53\00046714.png

**C-32**  
**30**



C3230

Cooling system - radiator and bracket



		Inglese		
1	6521742M2		1 Support	
2	6521056X1	◄►	M16x80	4 Screw
2	6527659X1	◄►	M16x90mm	4 Screw
3	3019575X1			8 Washer
4	391414X1			8 Lock washer
5	6520223M1			2 Dowel
6	6520264M1	⌵	0,4 mm	999 Shim
6	6520265M1	⌵	0,5 mm	999 Shim
6	6520266M1	⌵	0,6 mm	999 Shim
6	6520267M1	⌵	0,7 mm	999 Shim
⌵	Shim			
◄►	Length			

Engine ancillary equipment

X4 Small Range Series (2015- ) - RS53 - X4.30

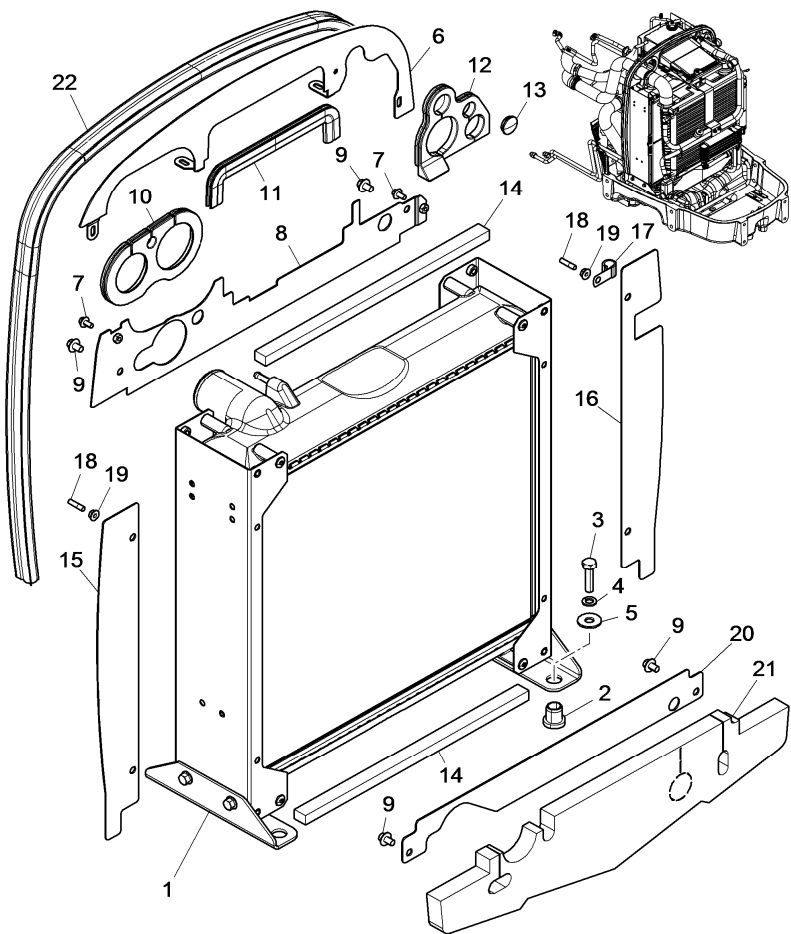
RS53\00046715.png

C-32  
31



C3231

Cooling system - radiator and bracket



			Inglese
1	6520126M91	"ordonez"	1 Radiator
2	3671109M1		4 Pad
3	3009495X1	◄ M10x40	4 Screw
4	1440314X1		4 Washer
5	390597X1		4 Washer
6	6522826M92		1 Shield
7	3009181X1	◄ M6x12	2 Screw
8	6522830M91		1 Panel
9	6513531X1	◄ M8x12	4 Screw
10	6513772M1		1 Chock
11	6515631M1	◄ 275 mm	1 Gasket
12	6513773M1		1 Chock
13	1427089M1		1 Plug
14	6523073M2	400x15x20	2
15	6520446M1	►	1 Panel
16	6520445M1	◄	1 Panel
		A	
16	6520446M1	◄	1 Panel
		B	
		C	
17	516-22127		2 Clamp
18	3689516X1	◄ M6x16	4 Stud
19	3019123X1		4 Nut
20	6528988M1		1 Plate
21	6523174M3		1 Panel

Engine ancillary equipment

X4 Small Range Series (2015- ) - RS53 - X4.30

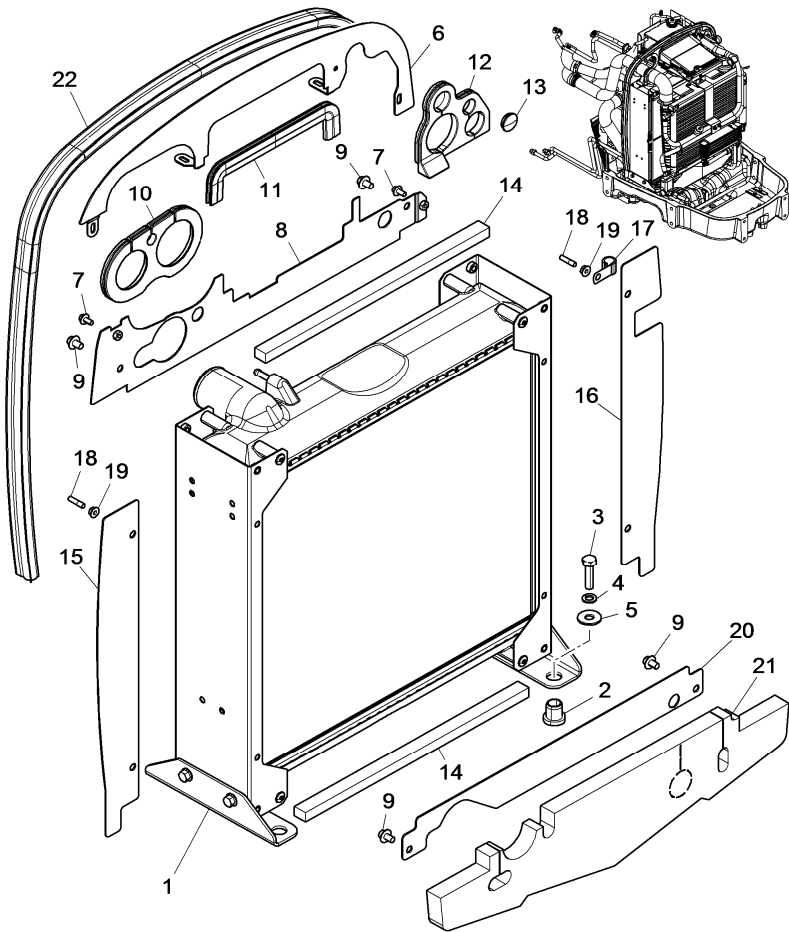
RS53\00046715.png

C-32  
31



C3231

Cooling system - radiator and bracket



22 6501426M1 ◀▶ 1842 mm

Inglese

1 Gasket

◀ Left hand

▶ Right hand

◀▶ Length

A With cab conditioned air

B With only heated cabin

C With platform

Engine ancillary equipment

X4 Small Range Series (2015- ) - RS53 - X4.30

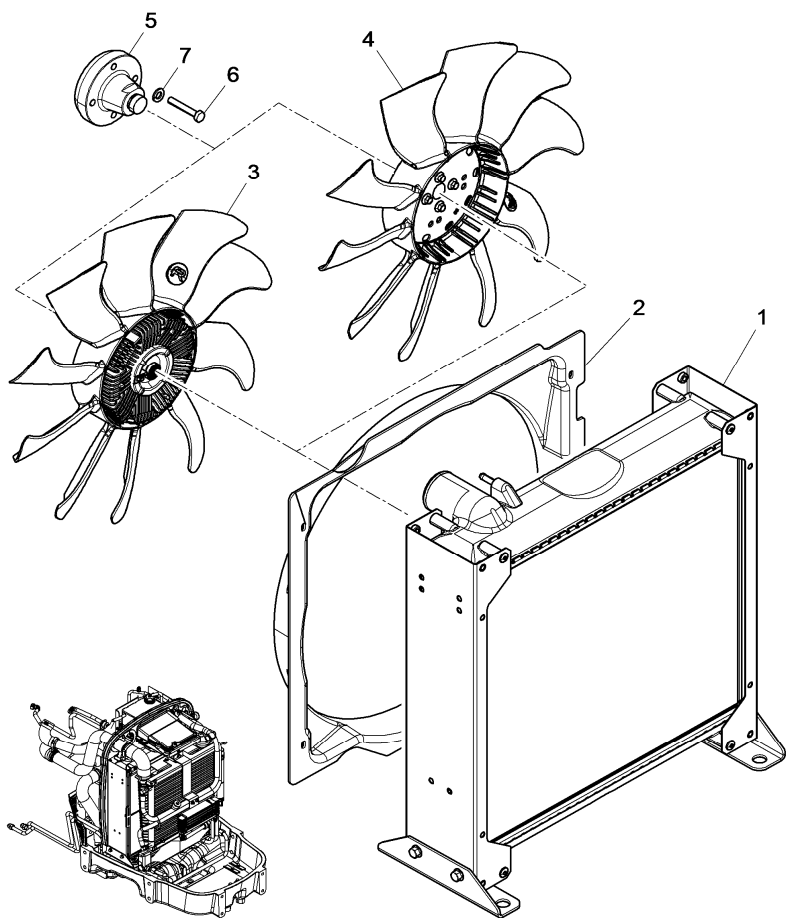
RS53\00046716.png

C-32  
32



C3232

Cooling system



Inglese

1		C-32 31 1	1 Radiator
2		6533213M1	1 Conveyor
2		6533214M1 A	1 Conveyor
3		6518983M91 Ø 480 "rosati"	1 Fan
		B	
4		6529049M91 Ø 480 "rosati"	1 Fan
		C	
5		6520525M2 D	1 Spacer
6		339168X1 ◀▶ M8x50	4 Screw
		D	
7		1440313X1 ● Substitutions error	4 Lock washer
		D	
		See page - reference number	
		Length	
		Diameter	
		Replacement	
A		With ejector	
B		With viscous coupling	
C		Without viscous coupling	
D		With platform	

Engine ancillary equipment

X4 Small Range Series (2015- ) - RS53 - X4.30

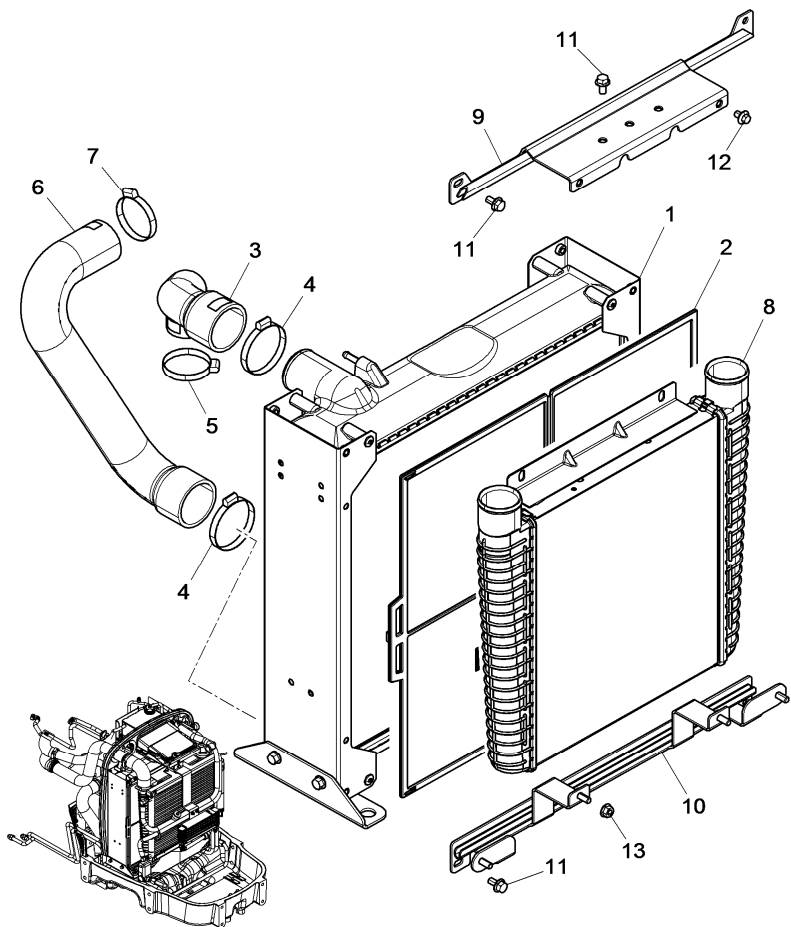
RS53\00046717.png

**C-32  
33**



C3233

Cooling system - pipings



Inglese

1		C-32 31 1	1 Radiator
2		6514525M91	1 Grille
3		6520474M1	1 Manicott
4		3307668M91	2 Clamp
5		3307666M91	1 Clamp
6		6520262M1	1 Manicott
7		3307667M91	1 Clamp
8		6520111M91	1 Exchanger
9		6530798M91	1 Support
10		6530799M91	1 Support
11		3009192X1	5 Screw
12		6513531X1	4 Screw
13		3019124X1	2 Nut

See page - reference number

Top

Lower component

Length

Replacement

Engine ancillary equipment

X4 Small Range Series (2015- ) - RS53 - X4.30

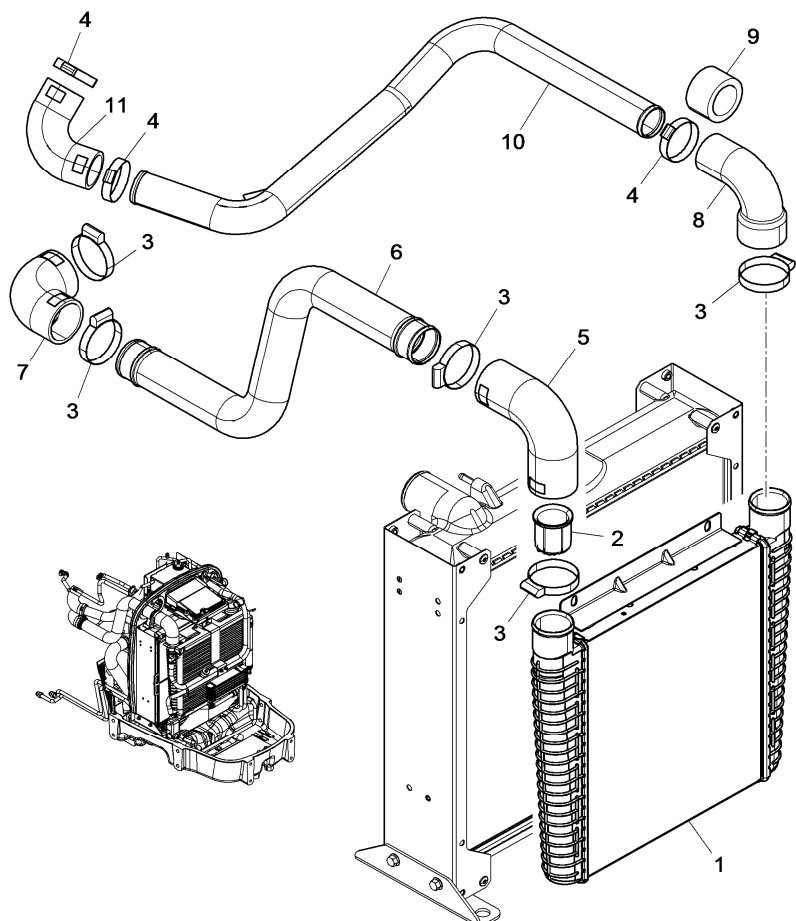
RS53\00046743.png


C-32  
34




C3234

Cooling system - pipings



- 1  C-32 33 8
- 2 6532551M1
- 3 3693735M91
- 4 214-1424
- 5 6516872M2
- 6 6520604M1
- 7 6520601M1
- 8 6516503M2
- 9 6527829M1
- 10 6520450M91
- 11 6520449M1

 See page - reference number

Inglese

- 1 Exchanger
- 1 Spacer
- 5 Clamp
- 3 Clamp
- 1 Manicott
- 1 Pipe
- 1 Manicott
- 1 Manicott
- 1 Gasket
- 1 Pipe
- 1 Manicott

Engine ancillary equipment

X4 Small Range Series (2015- ) - RS53 - X4.30

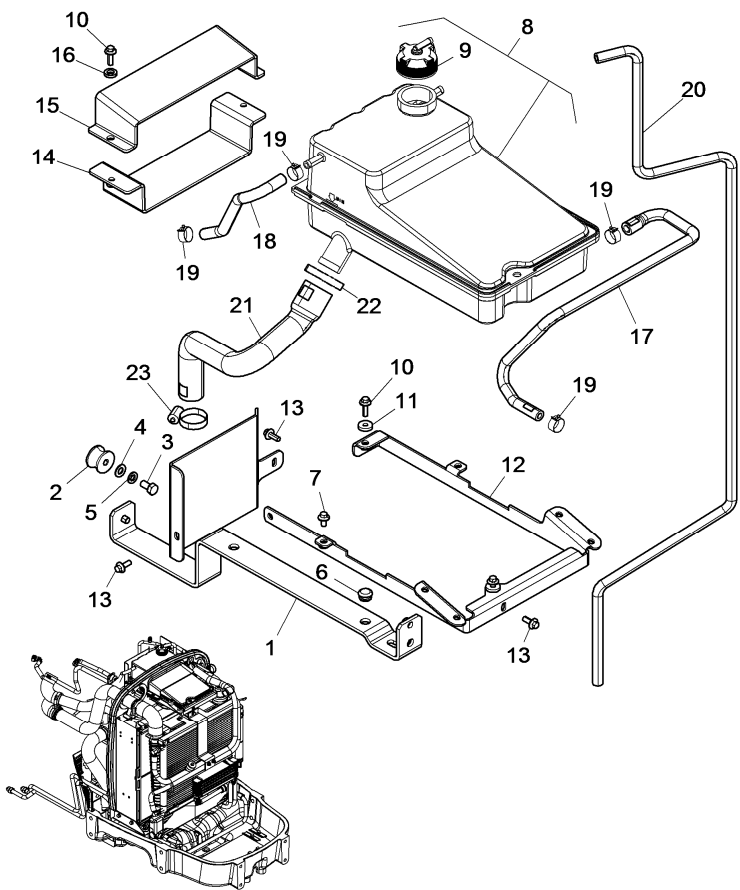
RS53\00046744.png

C-32  
35



C3235

Cooling system - expansion tank



- |    |                                    |                       |               |
|----|------------------------------------|-----------------------|---------------|
| 1  | 6520579M92                         |                       | Inglese       |
| 1  | Tie rod                            |                       |               |
| 2  | 6515332M91                         |                       | 1 Pad         |
| 3  | 339124X1                           | ◀▶ M8x16              | 1 Screw       |
| 4  | 391039X1                           |                       | 1 Washer      |
| 5  | 1440313X1                          | ● Substitutions error | 1 Lock washer |
| 6  | 3680534M1                          |                       | 2 Plug        |
| 7  | 3009181X1                          | ◀▶ M6x12              | 2 Screw       |
| 8  | 6527890M92                         |                       | 1 Jar         |
| 9  | 3671126M91                         | ! 8                   | 1 Plug        |
| 10 | 3009183X1                          | ◀▶ M6x20              | 4 Screw       |
| 11 | 3550096M1                          |                       | 2 Spacer      |
| 12 | 6529314M93                         |                       | 1 Support     |
| 13 | 3009182X1                          | ◀▶ M6x16              | 4 Bolt        |
| 14 | 6532044M91                         | ▼                     | 1 Bandage     |
| 15 | 6532047M1                          | ▲                     | 1 Bandage     |
| 16 | 391576X1                           |                       | 2 Lock washer |
| 17 | 6533242M91                         |                       | 1 Pipe        |
| 18 | 6533243M91                         |                       | 1 Pipe        |
| 19 | 3551941M1                          |                       | 4 Clamp       |
| 20 | 6523534M1                          |                       | 1 Pipe        |
| 21 | 6533215M1                          |                       | 1 Pipe        |
| 22 | 3307850M91                         |                       | 1 Clamp       |
| 23 | 3019572X1                          |                       | 1 Clamp       |
| !  | This is a component of an assembly |                       |               |
| ▲  | Top                                |                       |               |

Engine ancillary equipment

C-32  
35

Cooling system - expansion tank

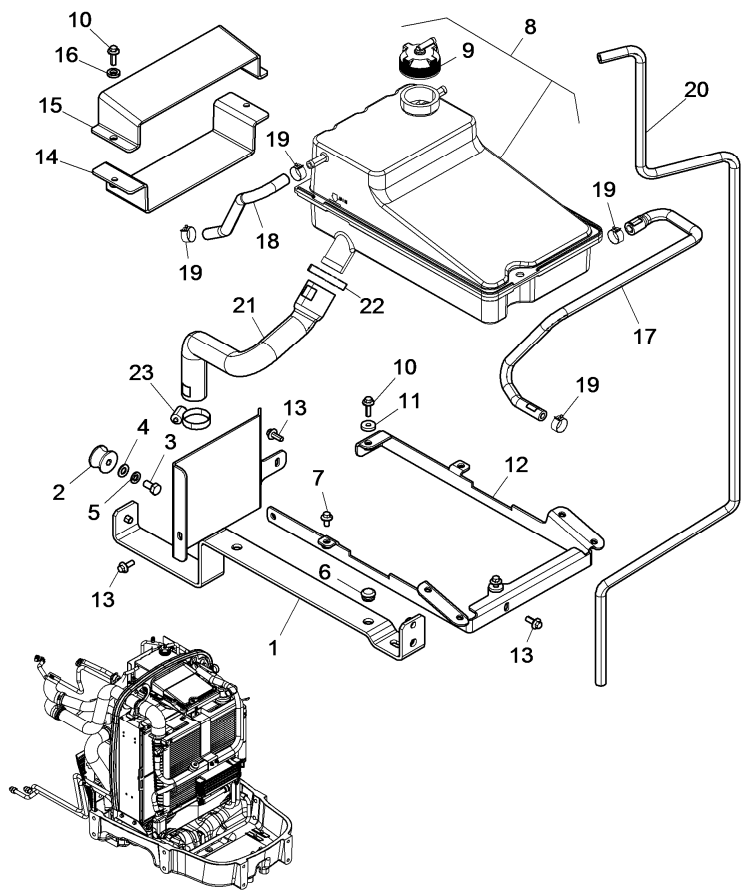
X4 Small Range Series (2015- ) - RS53 - X4.30



C3235

RS53\00046744.png

- ▼ Lower component
- ◄ Length
- Replacement



Engine ancillary equipment

X4 Small Range Series (2015- ) - RS53 - X4.30

RS53\00046846.png

C-32  
50



C3250

Heater - engine block

Inglese

1 6532647M91 B

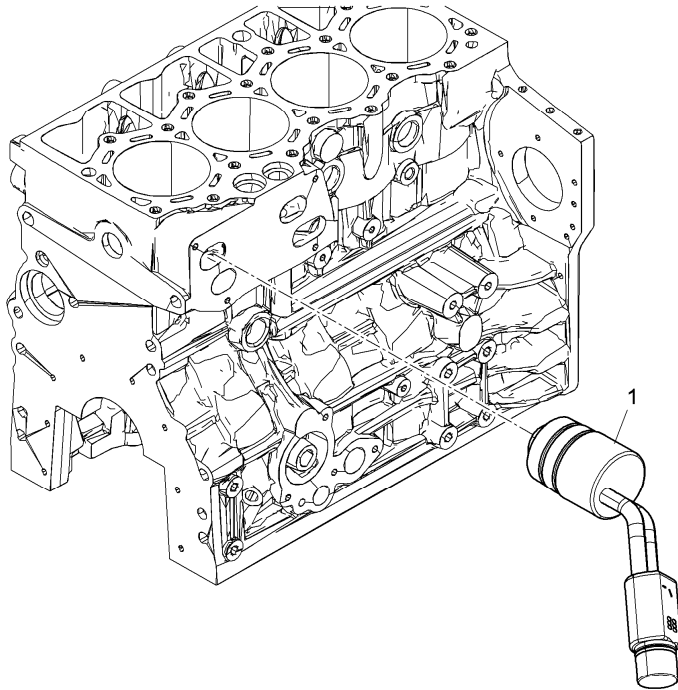
1 Heater

1 6532648M91 A

1 Heater

A Excluded "n.a.o." market

B N.a.o. market



Engine ancillary equipment

X4 Small Range Series (2015- ) - RS53 - X4.30

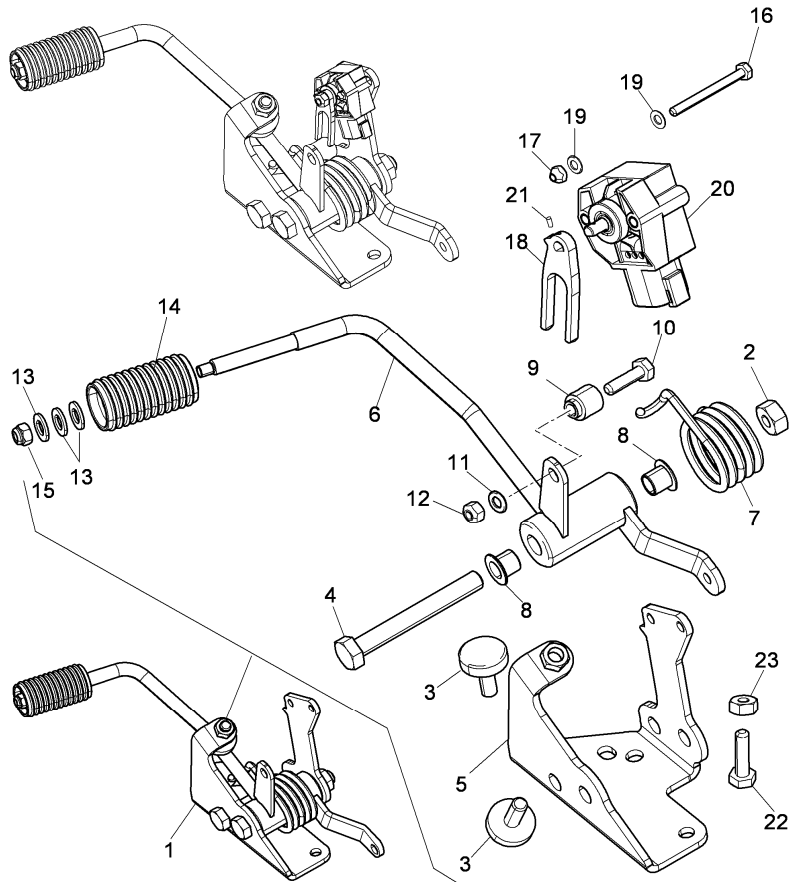
RS53\00046364.png

**C-32  
60**



C3260

Foot accelerator



Inglese

-	A		
1	6530648M91		1 Control unit
2	1441932X1	!	1 Nut
3	3542670M91	!	2 Pad
4	390122X1	◀▶	1 Screw
		!	1
5	6521048M94	!	1 Support
6	6520822M93	!	1 Pedal
7	6520826M2	!	1 Spring
8	6521119M1	!	2 Bush
9	6523131M1		1 Pin
10	1442394X1	◀▶	1 Screw
11	390469X1		2 Washer
12	1441917X1		1 Nut
13	1440273X1	!	3 Washer
14	6510553M1	!	1 Roller
15	1441500X1	!	1 Nut
16	6520997X1	◀▶	2 Screw
17	3009074X1		2 Nut
18	6523041M2		1 Lever
19	390468X1		4 Lock washer
20	6521008M92		1 Sensor
21	3005606X1		1 Dowel pin
22	3009192X1	▶◀	2 Screw
23	339169X1	●	2 Nut

Engine ancillary equipment

**C-32**  
**60**

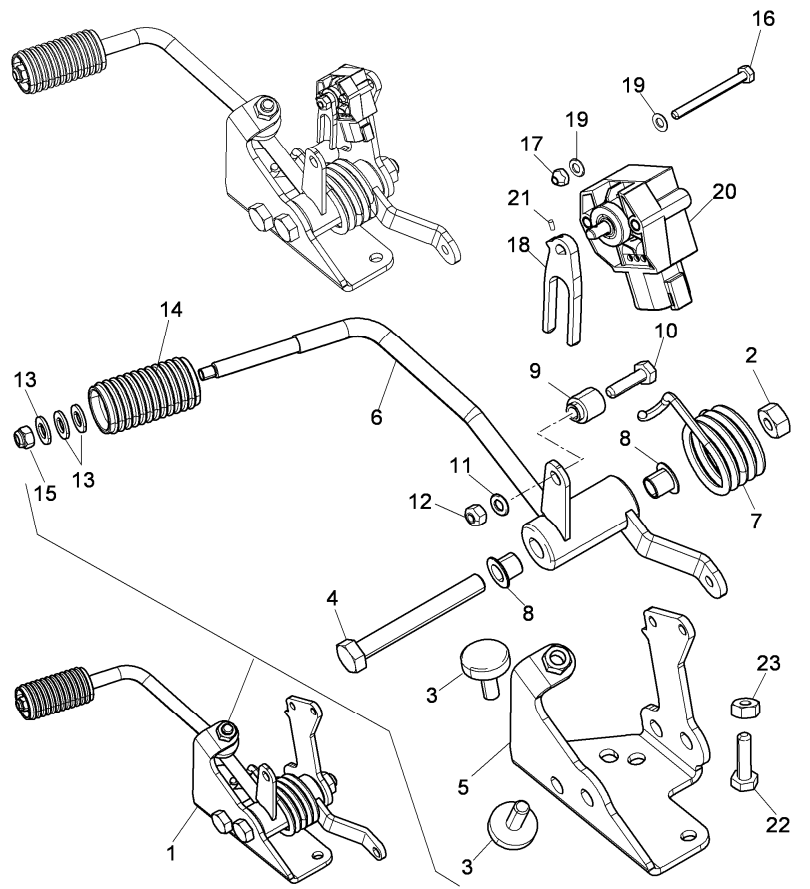
Foot accelerator

X4 Small Range Series (2015- ) - RS53 - X4.30



RS53\00046364.png

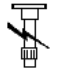
- ! This is a component of an assembly
- ◀▶ Width
- ◄► Length
- Replacement
- A Electronic control



Engine ancillary equipment

X4 Small Range Series (2015- ) - RS53 - X4.30

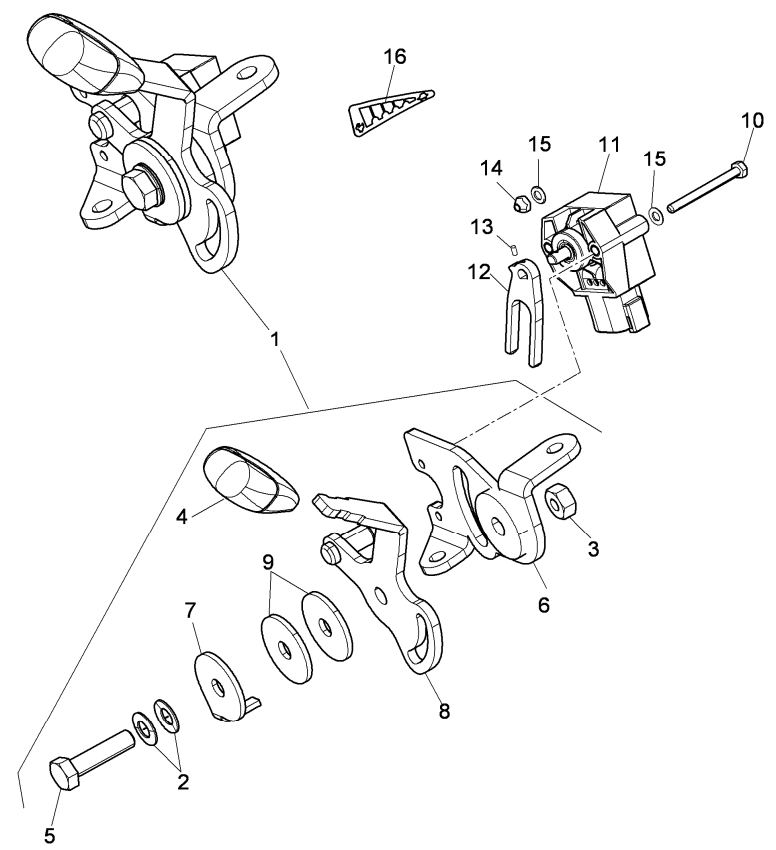
**C-32  
61**



C3261

Hand accelerator

RS53\00046729.png



		Inglese	
-	A		
1	6520955M94		1
2	1441075X1	! 1	2 Spring
3	1441932X1	! 1	1 Nut
4	177106A1	! 1	1 Grip
5	3009495X1	◄► M10x40	1 Screw
		! 1	
6	6520816M92		1 Support
7	6520819M2		1 Washer
8	6520953M94		1 Lever
9	973078M2	! 1	2 Disc
10	6520997X1	◄► M4x45	2 Screw
11	6521008M92		1 Sensor
12	3660194M2		1 Lever
13	3005606X1		1 Screw
14	3009074X1		2 Nut
15	390468X1		4 Lock washer
16	6527122M1		1
!	This is a component of an assembly		
◄►	Length		
A	Electronic control		

Engine ancillary equipment

X4 Small Range Series (2015- ) - RS53 - X4.30

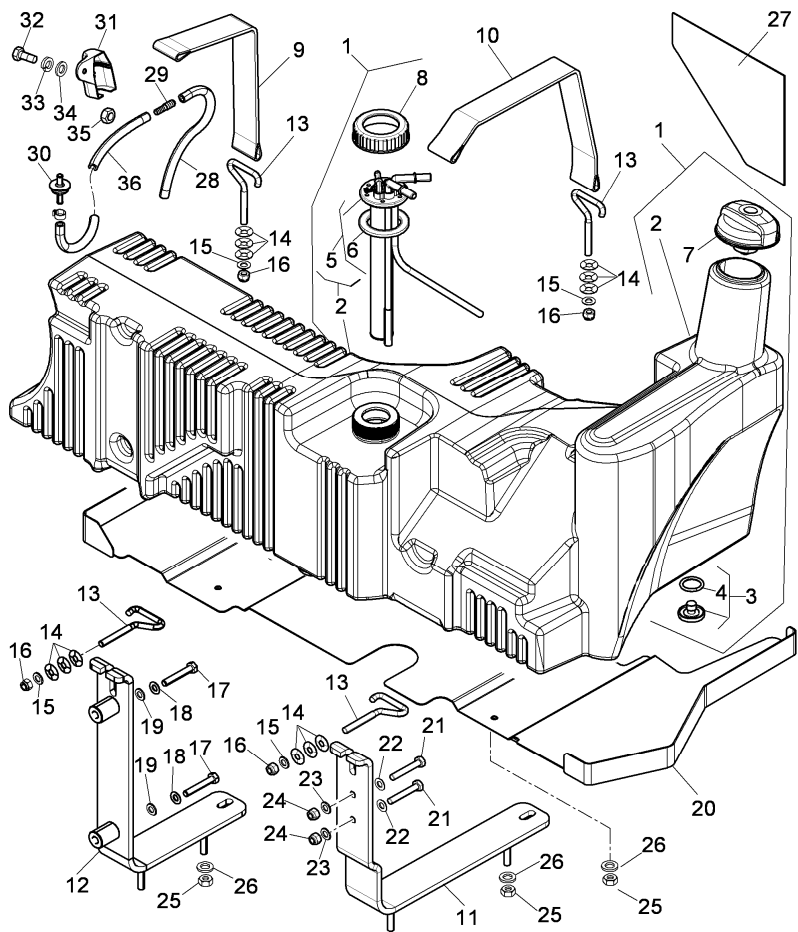
C-32  
70



C3270

Fuel tank

RS53\00046701.png



		Inglese
1	6528528M91	1 Tank
2	6528529M91 !	1 Tank
3	6507057M1 !	1 Plug
4	6507055M1 !	1
5	6528913M91 !	1 Indicator
6	3657948M1 !	1 Gasket
7	6510580M91 !	1 Plug
	● 3664253M91(1)	
8	3654964M1 !	1 Ferrule
9	6528284M1	1 Belt
10	6528283M1	1 Belt
11	6528280M91 A	1 Stirrup
12	6528282M91 A	1 Stirrup
13	3685139M2	4 Tie rod
14	973079M1	20 Spring
15	390597X1	4 Washer
16	1440329X1	4 Nut
17	3009501X1 ◀▶	M10x70mm 2 Screw
18	1440314X1	2 Washer
19	390734X1	2 Washer
20	6528538M91	1 Guard
21	3009495X1 ◀▶	M10x40mm 2 Screw
22	390734X1	2 Washer
23	390734X1	2 Washer
24	1440329X1	4 Nut

Engine ancillary equipment

X4 Small Range Series (2015- ) - RS53 - X4.30

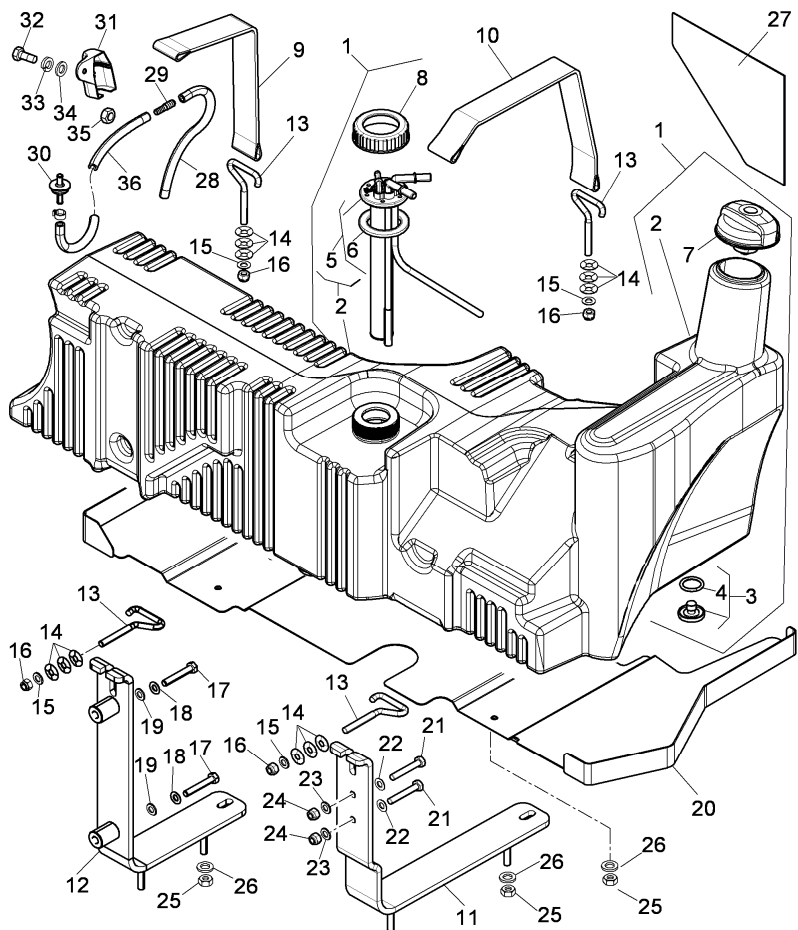
RS53\00046701.png

C-32  
70



C3270

Fuel tank



25	339169X1	●	394367X1(5)	5	Nut
26	390972X1	●	Substitutions error	6	Washer
27	6523715M1			1	Shield
28	4217381M1			1	Pipe
29	6531205M1			1	Final drive
30	3683798M91			1	Valve
31	186814A1			1	Sleeve
32	339123X1	●	000160434210(1)	1	Screw
33	391037X1			1	Lock washer
34	390972X1	●	Substitutions error	2	Washer
35	339169X1	●	394367X1(1)	1	Nut
36	4220286M1	●	3675081M1(1)	1	Pipe
! This is a component of an assembly					
◄ Length					
● Replacement					
A Rear					

Engine ancillary equipment

X4 Small Range Series (2015- ) - RS53 - X4.30

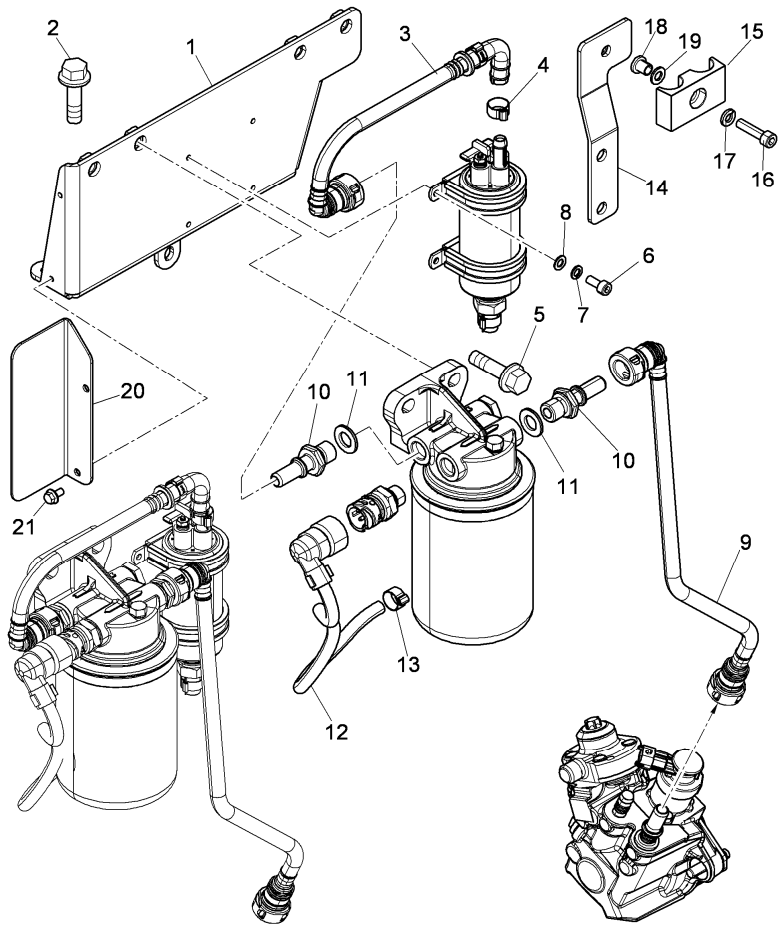
RS53\00046709.png

C-32  
71



C3271

Fuel tank and pipings



		Inglese
1	6520489M94	1 Support
2	3009192X1 ◀▶ M8x16mm	3 Screw
3	6532779M91 A	1 Pipe
4	3530490M91	1 Clamp
5	3009206X1 ◀▶ M10x25mm	4 Screw
6	3009271X1 ◀▶ M5x12mm	4 Screw
7	339381X1	4 Lock washer
8	390469X1	4 Washer
9	6520857M91 A	1 Pipe
10	6519937M1	2 Union
11	3004861X1	2 Gasket
12	D	1 Pipe
13	D	1 Collar
14	6522962M91	1 Stirrup
15	6515143M1	1 Block
16	3009282X1 ● 1442018X1(1)	1 Screw
17	339375X1	1 Lock washer
18	6515261M1	1 Spacer
19	390971X1	1 Washer
20	6532144M1	1 Guard
21	6521747X1 M5x10mm	2 Screw
◀▶	Length	
●	Replacement	
A	Discharge	
D	To be advised	

Engine ancillary equipment

X4 Small Range Series (2015- ) - RS53 - X4.30

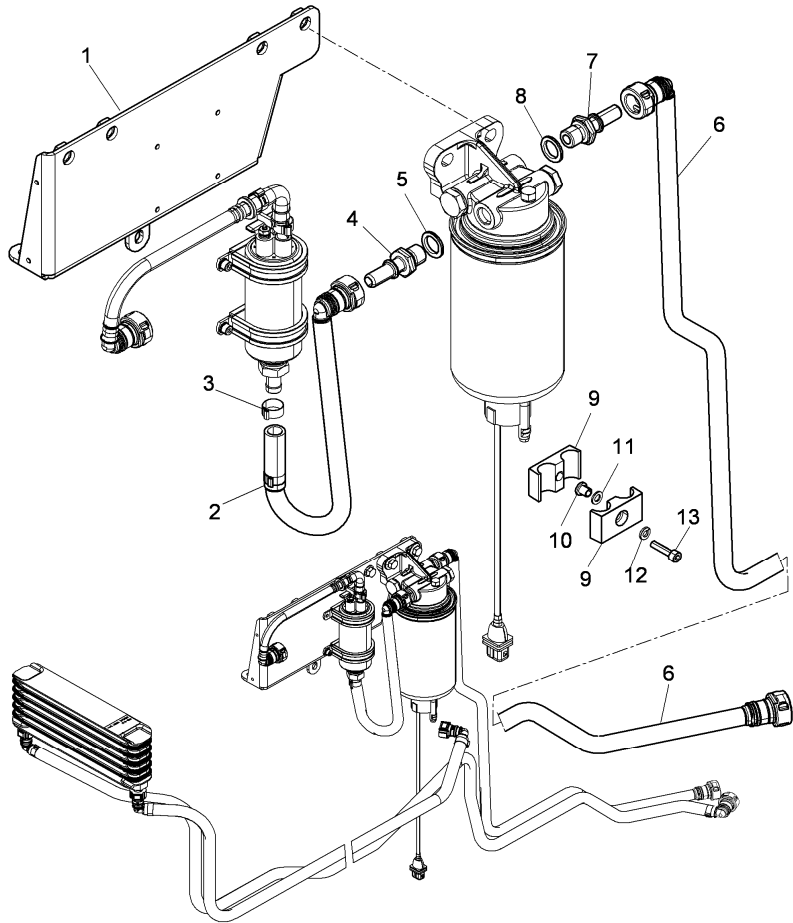
RS53\000046708.png

**C-32  
72**



C3272

Fuel tank and pipings



- |    |  |                        |               |
|----|--|------------------------|---------------|
| 1  |  | C-32 71 1              | 1 Support     |
| 2  |  | 6532777M91 A           | 1 Pipe        |
| 3  |  | 3664416M1              | 1 Clamp       |
| 4  |  | 6519937M1              | 1 Union       |
| 5  |  | 3004861X1              | 1 Gasket      |
| 6  |  | 6532778M91 B           | 1 Pipe        |
| 7  |  | 6519937M1              | 1 Union       |
| 8  |  | 3004861X1              | 1 Gasket      |
| 9  |  | 6515143M1              | 4 Block       |
| 10 |  | 6515261M1              | 1 Spacer      |
| 11 |  | 390971X1               | 2 Washer      |
| 12 |  | 339375X1               | 2 Lock washer |
| 13 |  | 339560X1 ● 339282X1(2) | 2 Screw       |
- See page - reference number  
 Replacement  
 A Return  
 B Return

Inglese

Engine ancillary equipment

X4 Small Range Series (2015- ) - RS53 - X4.30

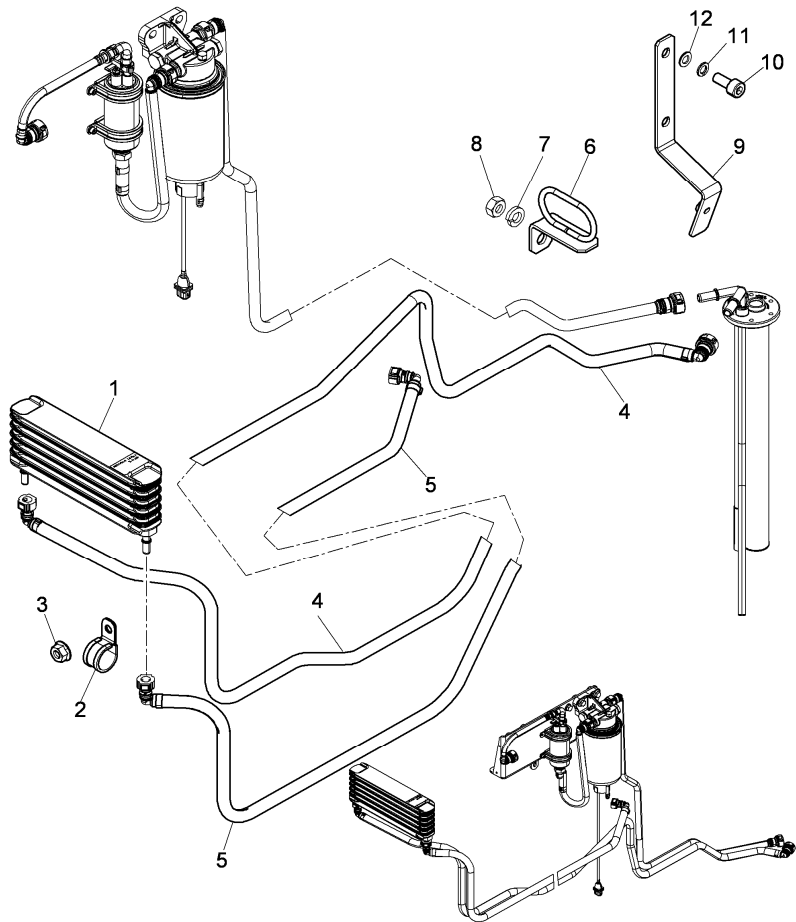
RS53\00046710.png

**C-32  
73**



C3273

Fuel tank and pipings



- 1 6511914M92
- 2 3677048M91
- 3 3019124X1
- 4 6532816M91 A
- 5 6532813M91 B
- 6 4206608M92
- 7 1440314X1
- 8 3009693X1
- 9 6532825M91
- 10 3000257X1
- 11 339375X1
- 12 390971X1

- ◄ Length
- Replacement
- A Return
- B Discharge

- Substitutions error
- ◄ M6x35mm

Inglese

- 1 Exchanger
- 1 Clamp
- 1 Nut
- 1 Pipe
- 1 Pipe
- 1 Stirrup
- 1 Washer
- 1 Nut
- 1 Stirrup
- 2 Screw
- 2 Lock washer
- 2 Washer

Engine ancillary equipment

X4 Small Range Series (2015- ) - RS53 - X4.30

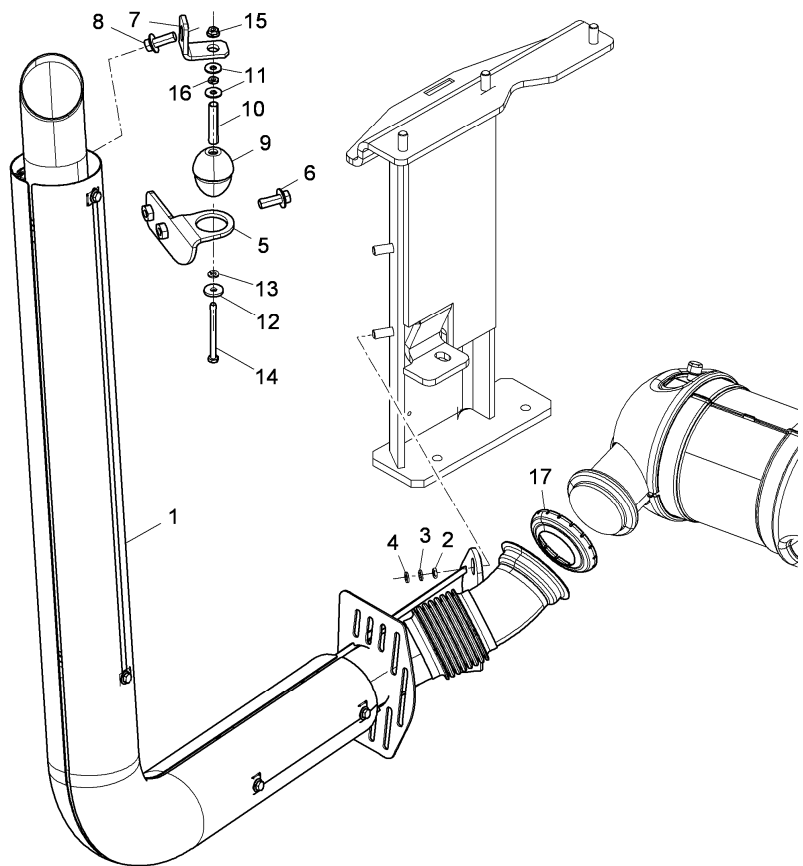
RS53\00046711.png

C-32  
80



C3280

Exhaust system - vertical



			Inglese
-	A		
1	6523107M91		1 Pipe
2	3009693X1	● Substitutions error	2 Nut
3	390597X1		2 Washer
4	1440314X1		2 Washer
5	6521313M91		1 Stirrup
6	3009205X1	◀ M10x20	2 Screw
7	6529383M1		1 Stirrup
8	3009192X1	◀ M8x16	1 Screw
9	6519755M1		1 Pad
10	6519234M1		1 Spacer
11	391038X1		2 Washer
12	390936X1		1 Bush
13	339375X1		1 Lock washer
14	3009035X1	◀ M6x75	1 Screw
15	3019123X1		1 Nut
16	1440207X1	● 392308X1(1)	1 Nut
17	6532545M1		1 Spacer
◀	Length		
●	Replacement		
A	With cab		

Engine ancillary equipment

X4 Small Range Series (2015- ) - RS53 - X4.30

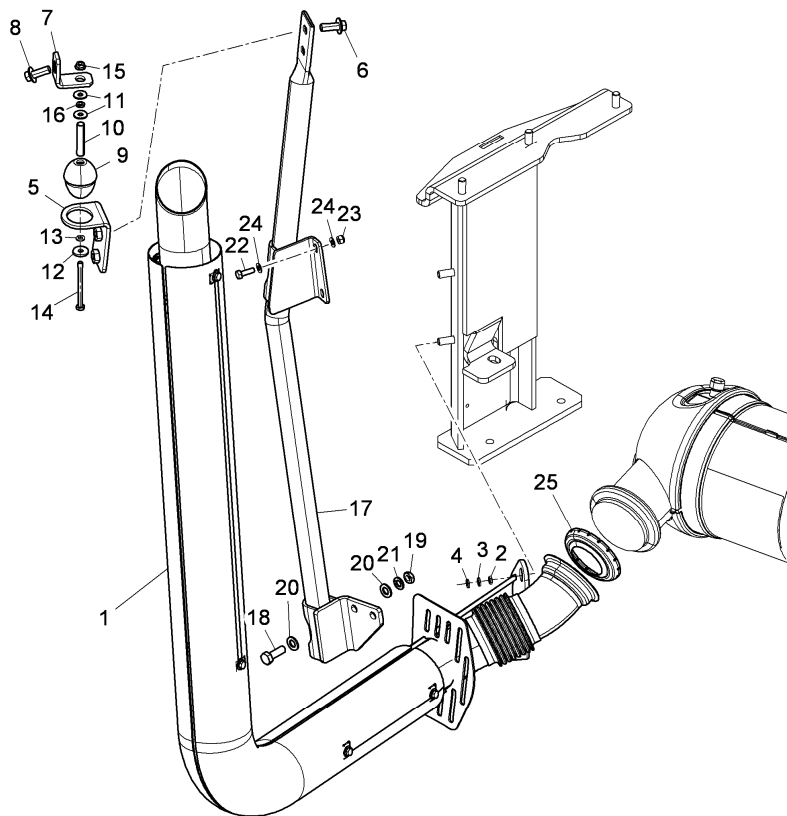
RS53\00046713.png

**C-32  
805**



C32805

Exhaust system - vertical



Inglese

	A	
-		
1	6527573J90	1 Pipe
2	3009693X1	● Substitutions error 2 Nut
3	390597X1	2 Washer
4	1440314X1	2 Washer
5	6531903M91	1 Stirrup
6	3009206X1	◀ M10x25 2 Screw
7	6529383M1	1 Stirrup
8	3009192X1	◀ M8x16 1 Screw
9	6519755M1	1 Pad
10	6519234M1	1 Spacer
11	391038X1	2 Washer
12	390936X1	1 Bush
13	339375X1	1 Lock washer
14	3009035X1	◀ M6x75 1 Screw
15	3019123X1	1 Nut
16	1440207X1	● 392308X1(1) 1 Nut
17	6527208M92	1 Frame
18	3009507X1	◀ M12x35 2 Screw
		● 391375X1(2)
19	3009696X1	2 Nut
20	390735X1	● Substitutions error 4 Washer
21	339369X1	2 Washer
22	339761X1	◀ M8x25 2 Screw
		● 339666X1(2)



**Suggest:**

**For more complete manuals. Please go to the home page.**

**<https://www.ebooklibonline.com>**


**If the above button click is invalid. Please download this document first, and then click the above link to download the complete manual.**

**Thank you so much for reading**

Engine ancillary equipment

X4 Small Range Series (2015- ) - RS53 - X4.30

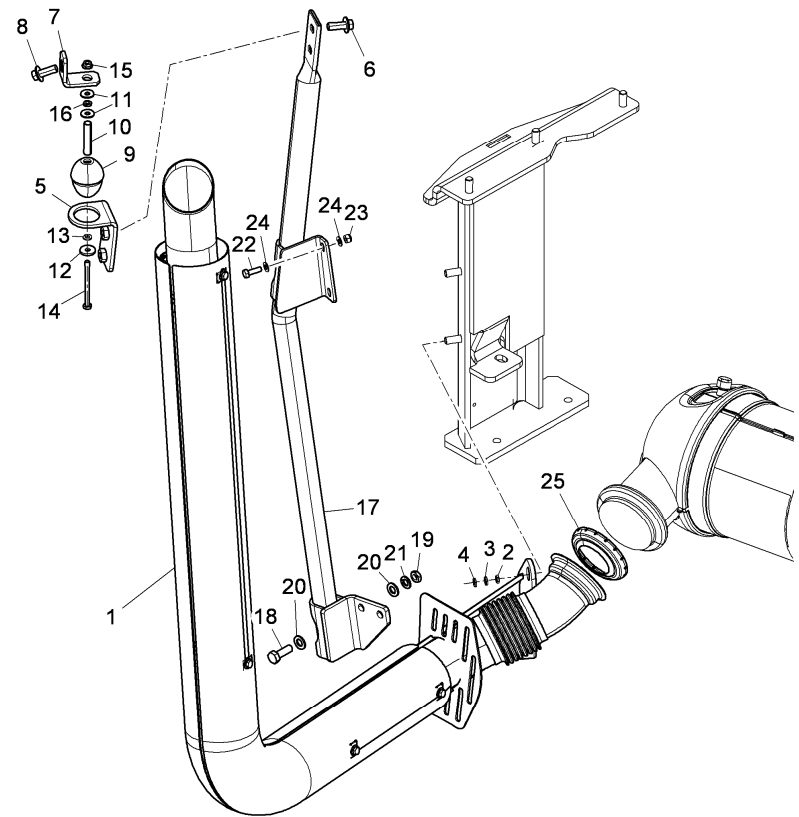
**C-32**  
**805**



C32805

Exhaust system - vertical

RS53\00046713.png



23 394367X1

24 390972X1

25 6532545M1

◄► Length

● Replacement

A With platform

● Substitutions error

Inglese

2 Nut

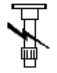
4 Washer

1 Spacer

Engine ancillary equipment

X4 Small Range Series (2015- ) - RS53 - X4.30

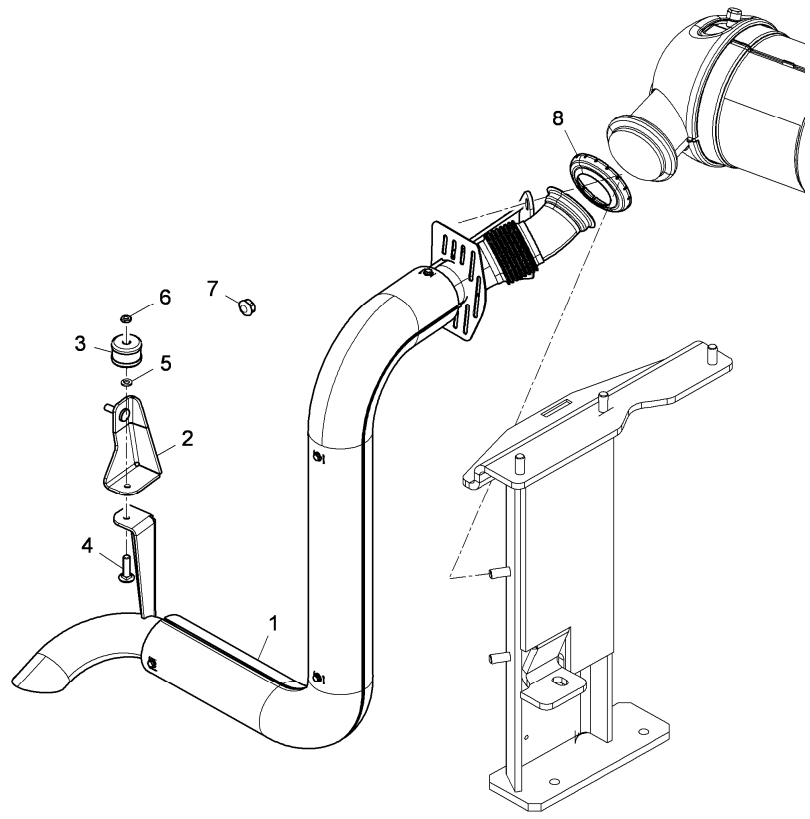
**C-32  
81**



C3281

Exhaust system- horizontal

RS53\00046712.png



		Inglese
-	A	
1	6526656M92	1 Pipe
2	6526663M92	1 Support
3	6522214M91	1 Pad
4	339761X1	2 Screw
	◄► M8x25	
	● 339666X1(2)	
5	390972X1	2 Washer
	● Substitutions error	
6	339169X1	2 Nut
	● 394367X1(2)	
7	3652566M1	2 Plug
8	6532545M1	1 Spacer
◄►	Length	
●	Replacement	
A	With platform	

**<https://www.ebooklibonline.com>**

Hello dear friend!

Thank you very much for reading.

Enter the link into your browser.

The full manual is available for immediate download.

**<https://www.ebooklibonline.com>**