

Engine

X4 Small Range Series (2015-) - RS53 - X4.20

RS53\00046687.png

A-05
01



A0501

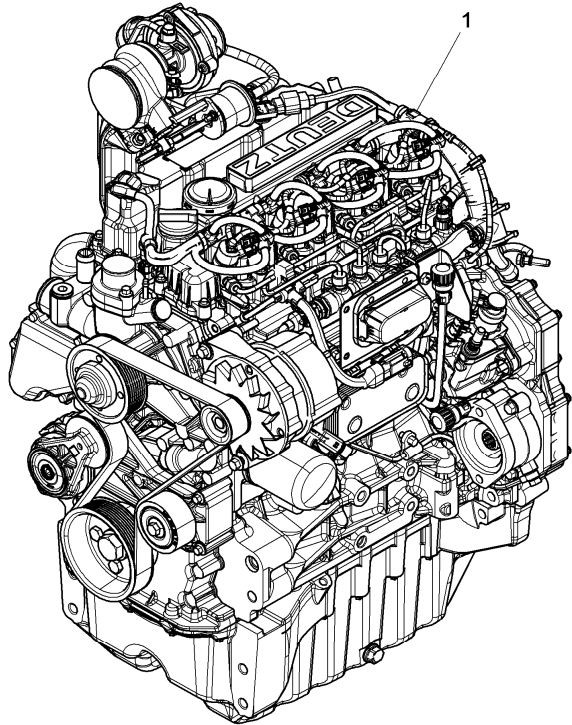
Engine assembly

Inglese

1 6516376M91

"deutz" tcd 2.9 I4
55,4 kw

1 Engine



Engine ancillary equipment

X4 Small Range Series (2015-) - RS53 - X4.20

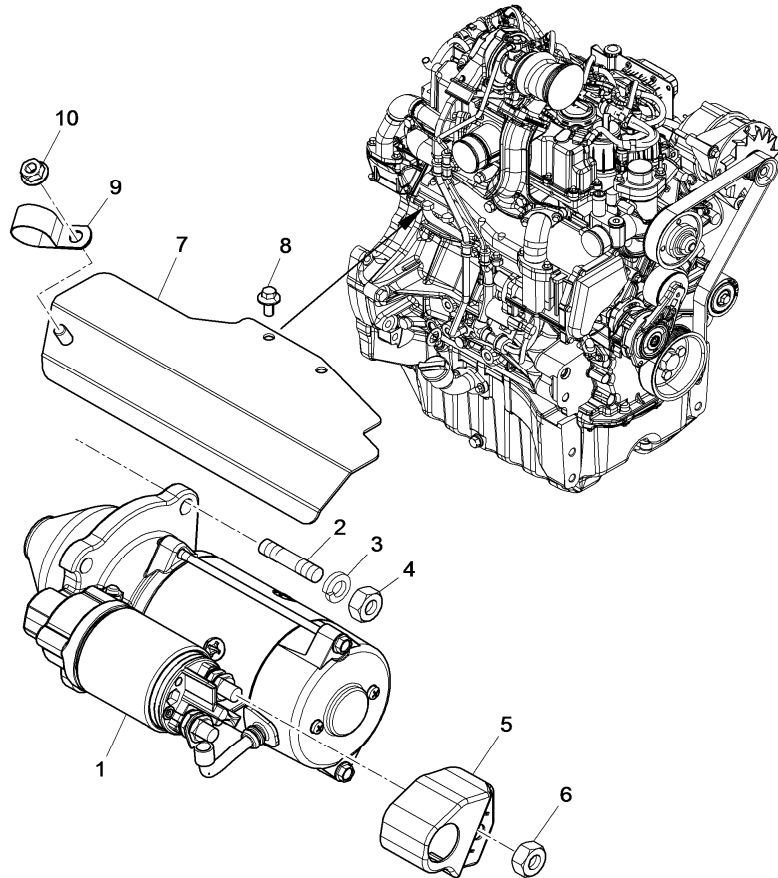
RS53\00046690.png

C-32
10



C3210

Starter motor - iskra type



			Inglese
1	6525845M91	Iskra 3.2 kw	1 Startermotor
2	3015455X1	◀▶ M10x30	3 Stud
3	1440314X1		3 Washer
4	3019125X1		3 Nut
5	6502050M1		1 Coperch.
6	395378A1		1 Nut
7	6533225M91		1 Shield
8	3009181X1	◀▶ M6x12	2 Screw
9	515-22254		1 Connector
10	3019124X1		1 Nut
◀▶	Length		

Engine ancillary equipment

X4 Small Range Series (2015-) - RS53 - X4.20

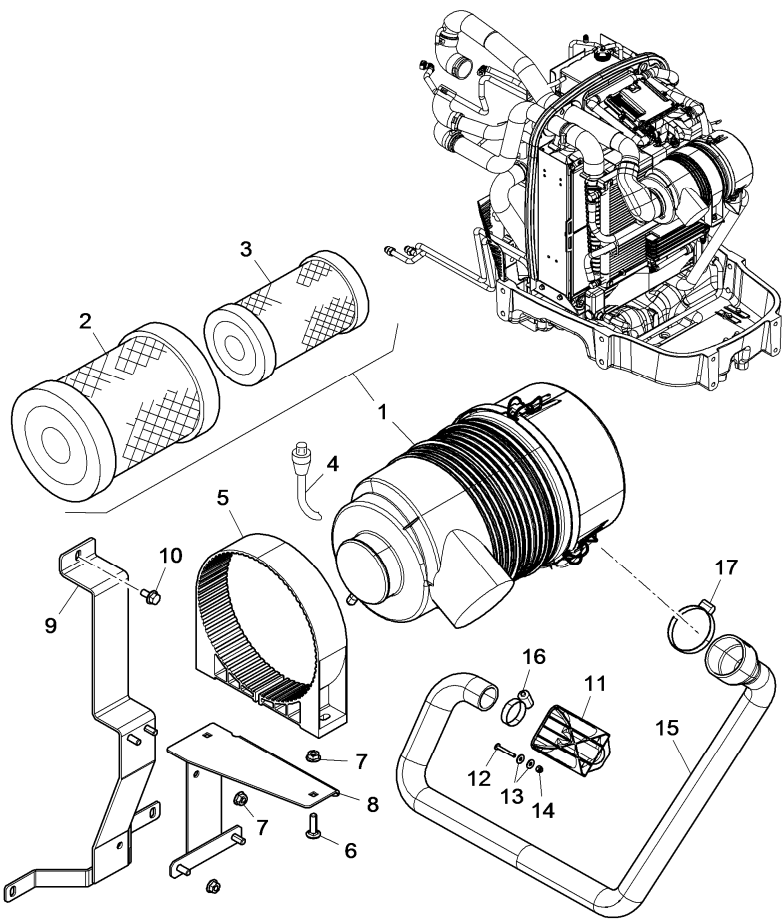
RS53\00046699.png

**C-32
20**



C3220

Dry air filter - dual element



		Inglese	
1	3545858M91	8" donaldson	1 Filter
2	3540051M1	! 1	1 Element
3	3540052M1	! 1	1 Air filter
4	3671631M91		1 Indicator
5	3655917M1		1 Clamp
6	385371X1	◄ M8x30 ● 385376X1(2)	2 Screw
7	3019124X1		4 Nut
8	6532820M91		1 Support
9	6527850M91		1 Frame
10	3009192X1	◄ M8x16	1 Screw
11	6500644M2	A	1 Sensor
12	3009532X1	◄ M4x16 A	3 Screw
13	3001856X1	A	6 Washer
14	3019139X1	A	3 Nut
15	6523197M2	A	1 Pipe
16	3019572X1	A	1 Clamp
17	3307667M91	A	1 Clamp

- ! This is a component of an assembly
- ◄ Length
- Replacement
- A With ejector

<https://www.ebooklibonline.com>

Hello dear friend!

Thank you very much for reading.

Enter the link into your browser.

The full manual is available for immediate download.

<https://www.ebooklibonline.com>

Engine ancillary equipment

X4 Small Range Series (2015-) - RS53 - X4.20

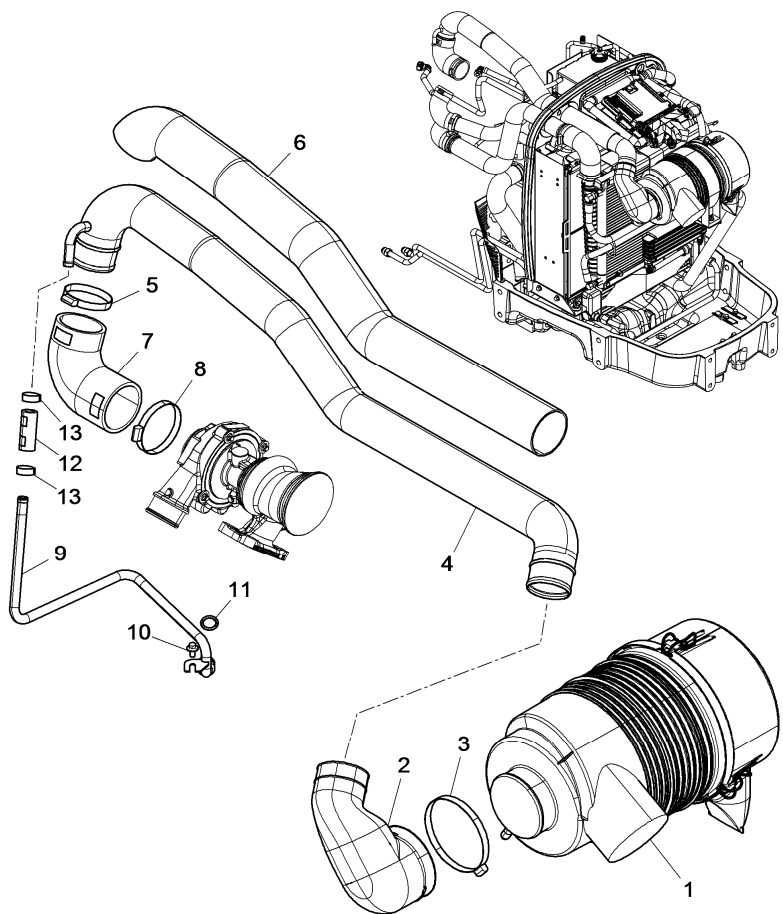
RS53\00046700.png

**C-32
21**



C3221

Dry air filter, relevant pipes and fasteners



		Inglese
1	C-32 20 1	1 Filter
2	6510427M2	1 Manicott
3	394306X1	1 Retainer
4	6528264M91	1 Pipe
5	3307667M91	2 Clamp
6	4220581M1	1 Guard
7	6520607M3	1 Manicott
8	3307668M91	1 Clamp
9	6526149M92	1 Pipe
10	3009181X1	1 Screw
11	3667967X1	1 Ring
		17,12x2,62
12	6527606M1	1 Manicott
13	3648429M1	2 Clamp
		See page - reference number
		Length
		Replacement

Engine ancillary equipment

X4 Small Range Series (2015-) - RS53 - X4.20

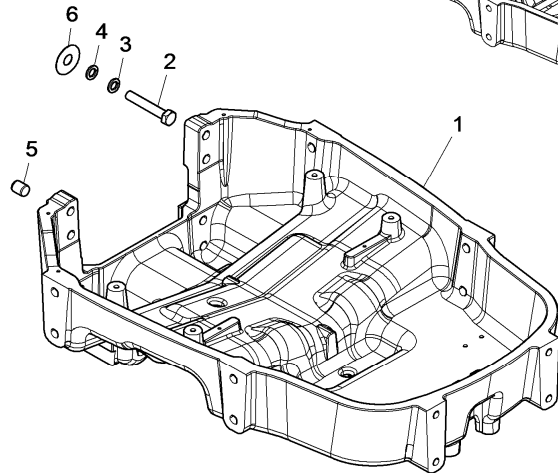
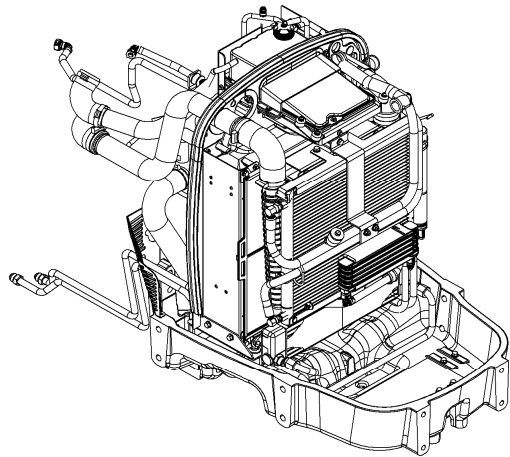
RS53\00046714.png

C-32
30



C3230

Cooling system - radiator and bracket



1	6521742M2			Inglese	1 Support
2	6521056X1	◄►	M16x80		4 Screw
2	6527659X1	◄►	M16x90mm		4 Screw
3	3019575X1				8 Washer
4	391414X1				8 Lock washer
5	6520223M1				2 Dowel
6	6520264M1	⌵	0,4 mm		999 Shim
6	6520265M1	⌵	0,5 mm		999 Shim
6	6520266M1	⌵	0,6 mm		999 Shim
6	6520267M1	⌵	0,7 mm		999 Shim
⌵	Shim				
◄►	Length				

Engine ancillary equipment

X4 Small Range Series (2015-) - RS53 - X4.20

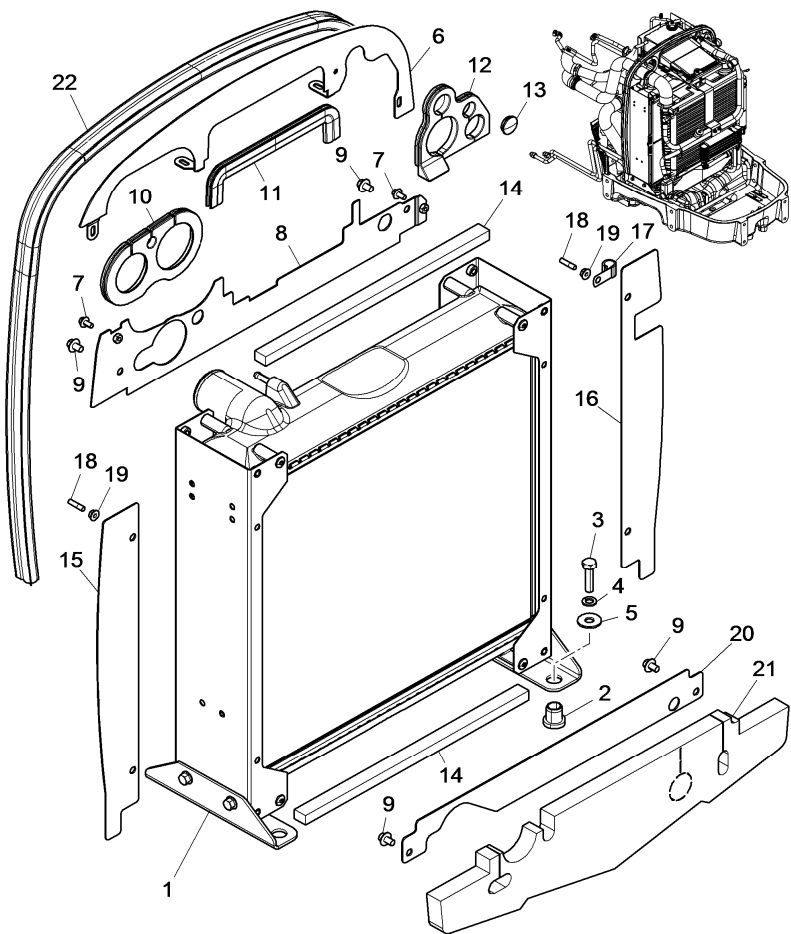
RS53\00046715.png

C-32
31



C3231

Cooling system - radiator and bracket



			Inglese
1	6520126M91	"ordonez"	1 Radiator
2	3671109M1		4 Pad
3	3009495X1	◄ M10x40	4 Screw
4	1440314X1		4 Washer
5	390597X1		4 Washer
6	6522826M92		1 Shield
7	3009181X1	◄ M6x12	2 Screw
8	6522830M91		1 Panel
9	6513531X1	◄ M8x12	4 Screw
10	6513772M1		1 Chock
11	6515631M1	◄ 275 mm	1 Gasket
12	6513773M1		1 Chock
13	1427089M1		1 Plug
14	6523073M2	400x15x20	2
15	6520446M1	►	1 Panel
16	6520445M1	◄	1 Panel
		A	
16	6520446M1	◄	1 Panel
		B	
		C	
17	516-22127		2 Clamp
18	3689516X1	◄ M6x16	4 Stud
19	3019123X1		4 Nut
20	6528988M1		1 Plate
21	6523174M3		1 Panel

Engine ancillary equipment

X4 Small Range Series (2015-) - RS53 - X4.20

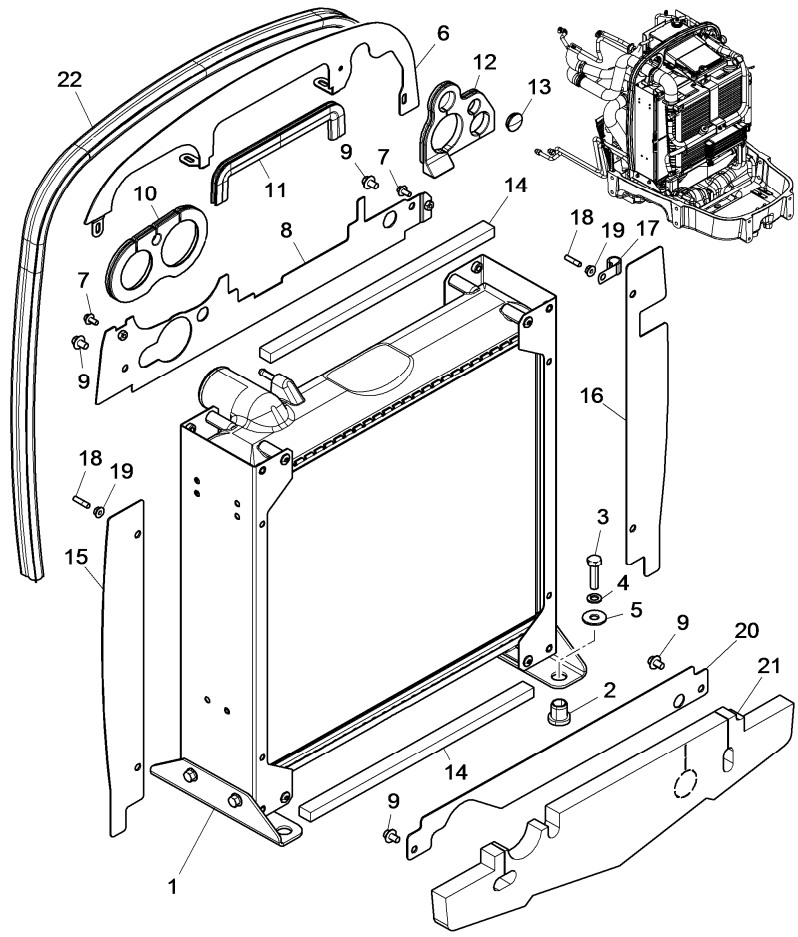
C-32
31



C3231

Cooling system - radiator and bracket

RS53\00046715.png



22 6501426M1 ◀▶ 1842 mm

Inglese
1 Gasket

- ◀ Left hand
- ▶ Right hand
- ◀▶ Length
- A With cab conditioned air
- B With only heated cabin
- C With platform

Engine ancillary equipment

X4 Small Range Series (2015-) - RS53 - X4.20

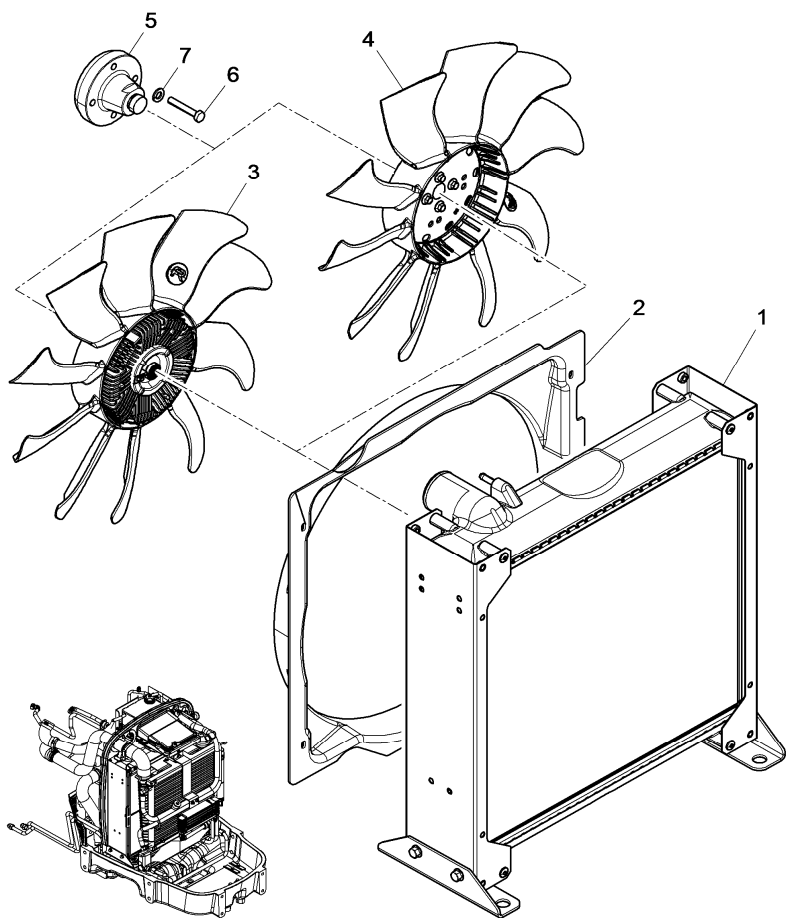
RS53\00046716.png

C-32
32



C3232

Cooling system



		Inglese
1	C-32 31 1	1 Radiator
2	6533213M1	1 Conveyor
2	6533214M1 A	1 Conveyor
3	6518983M91 Ø 480 "rosati"	1 Fan
	B	
4	6529049M91 Ø 480 "rosati"	1 Fan
	C	
5	6520525M2 D	1 Spacer
6	339168X1 M8x50	4 Screw
	D	
7	1440313X1 Substitutions error	4 Lock washer
	D	
	See page - reference number	
	Length	
	Diameter	
	Replacement	
A	With ejector	
B	With viscous coupling	
C	Without viscous coupling	
D	With platform	

Engine ancillary equipment

X4 Small Range Series (2015-) - RS53 - X4.20

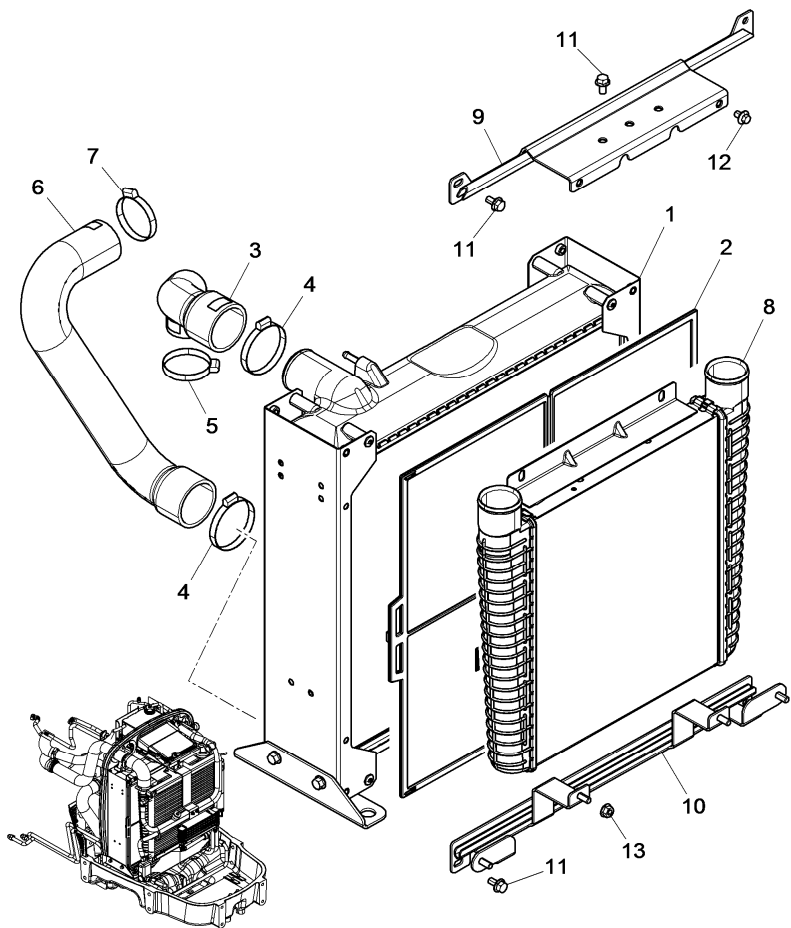
RS53\00046717.png

**C-32
33**



C3233

Cooling system - pipings

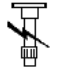


		Inglese
1	C-32 31 1	1 Radiator
2	6514525M91	1 Grille
3	6520474M1	1 Manicott
4	3307668M91	2 Clamp
5	3307666M91	1 Clamp
6	6520262M1	1 Manicott
7	3307667M91	1 Clamp
8	6520111M91	1 Exchanger
9	6530798M91	1 Support
10	6530799M91	1 Support
11	3009192X1	5 Screw
12	6513531X1	4 Screw
13	3019124X1	2 Nut
	See page - reference number	
	Top	
	Lower component	
	Length	
	Replacement	

Engine ancillary equipment

X4 Small Range Series (2015-) - RS53 - X4.20

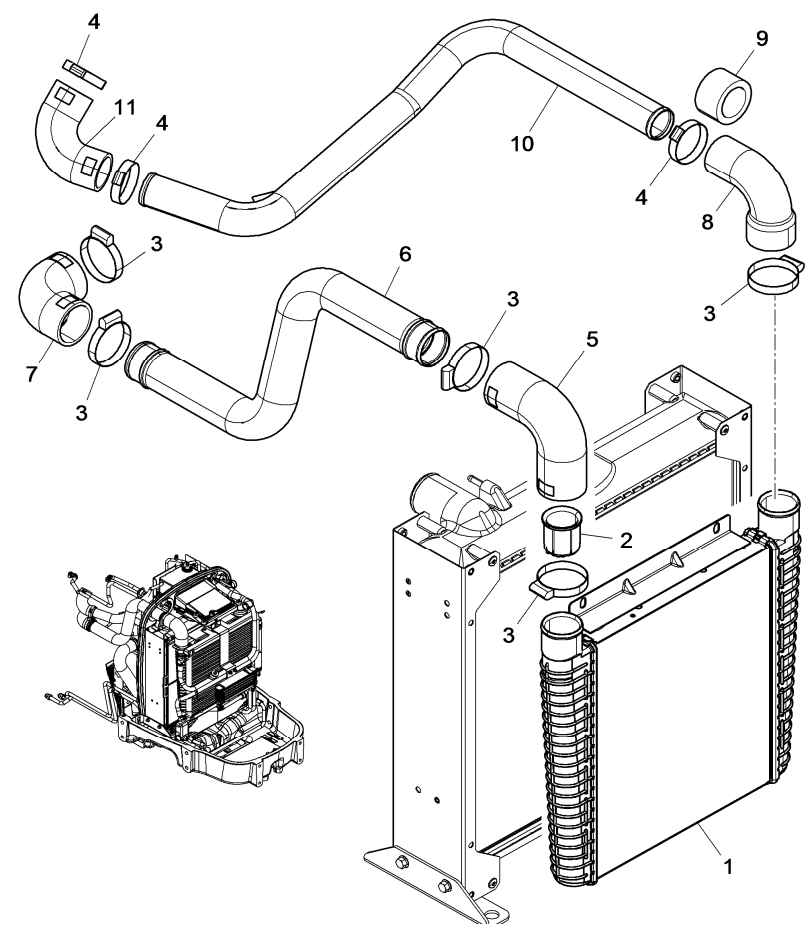
**C-32
34**





C3234

Cooling system - pipings

RS53\00046743.png



- 1  C-32 33 8
- 2 6532551M1
- 3 3693735M91
- 4 214-1424
- 5 6516872M2
- 6 6520604M1
- 7 6520601M1
- 8 6516503M2
- 9 6527829M1
- 10 6520450M91
- 11 6520449M1
-  See page - reference number

Inglese

- 1 Exchanger
- 1 Spacer
- 5 Clamp
- 3 Clamp
- 1 Manicott
- 1 Pipe
- 1 Manicott
- 1 Manicott
- 1 Gasket
- 1 Pipe
- 1 Manicott

Engine ancillary equipment

X4 Small Range Series (2015-) - RS53 - X4.20

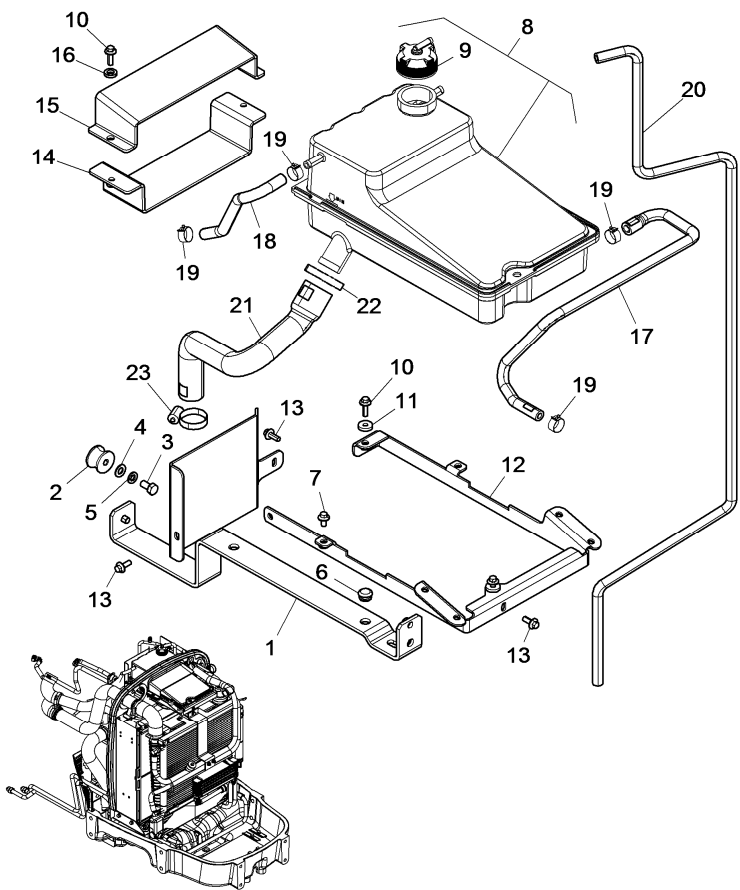
RS53\00046744.png

C-32
35



C3235

Cooling system - expansion tank



- | | | | |
|----|------------------------------------|-----------------------|---------------|
| 1 | 6520579M92 | | Inglese |
| 1 | Tie rod | | |
| 2 | 6515332M91 | | 1 Pad |
| 3 | 339124X1 | ◀▶ M8x16 | 1 Screw |
| 4 | 391039X1 | | 1 Washer |
| 5 | 1440313X1 | ● Substitutions error | 1 Lock washer |
| 6 | 3680534M1 | | 2 Plug |
| 7 | 3009181X1 | ◀▶ M6x12 | 2 Screw |
| 8 | 6527890M92 | | 1 Jar |
| 9 | 3671126M91 | ! 8 | 1 Plug |
| 10 | 3009183X1 | ◀▶ M6x20 | 4 Screw |
| 11 | 3550096M1 | | 2 Spacer |
| 12 | 6529314M93 | | 1 Support |
| 13 | 3009182X1 | ◀▶ M6x16 | 4 Bolt |
| 14 | 6532044M91 | ▼ | 1 Bandage |
| 15 | 6532047M1 | ▲ | 1 Bandage |
| 16 | 391576X1 | | 2 Lock washer |
| 17 | 6533242M91 | | 1 Pipe |
| 18 | 6533243M91 | | 1 Pipe |
| 19 | 3551941M1 | | 4 Clamp |
| 20 | 6523534M1 | | 1 Pipe |
| 21 | 6533215M1 | | 1 Pipe |
| 22 | 3307850M91 | | 1 Clamp |
| 23 | 3019572X1 | | 1 Clamp |
| ! | This is a component of an assembly | | |
| ▲ | Top | | |

Engine ancillary equipment

C-32
35

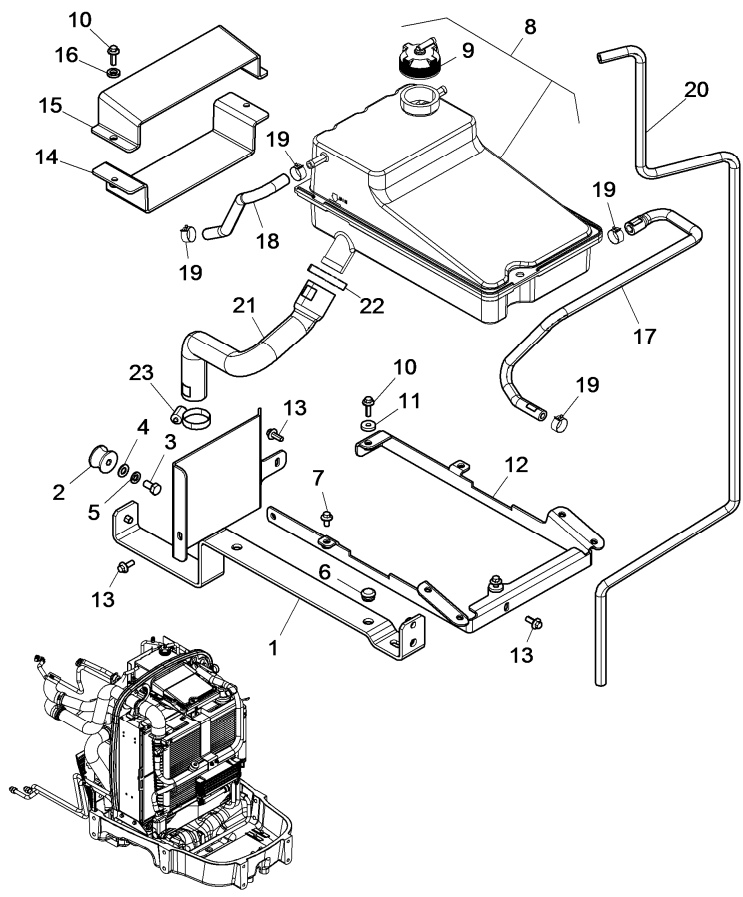
Cooling system - expansion tank

X4 Small Range Series (2015-) - RS53 - X4.20

 C3235

RS53\00046744.png

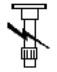
- ▼ Lower component
- ◄ Length
- Replacement



Engine ancillary equipment

X4 Small Range Series (2015-) - RS53 - X4.20

C-32
50



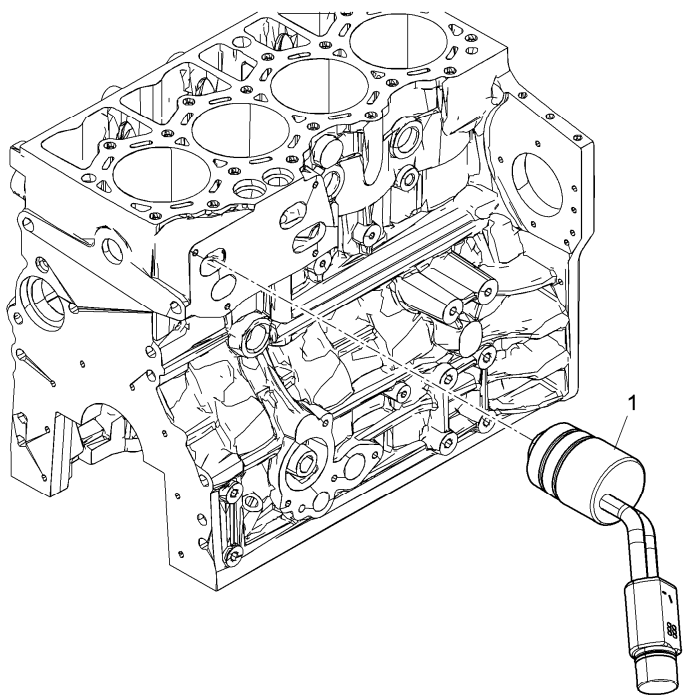
C3250

Heater - engine block

RS53\00046846.png

Inglese

- | | | | | |
|---|--------------------------|---|---|--------|
| 1 | 6532647M91 | B | 1 | Heater |
| 1 | 6532648M91 | A | 1 | Heater |
| A | Excluded "n.a.o." market | | | |
| B | N.a.o. market | | | |



Engine ancillary equipment

X4 Small Range Series (2015-) - RS53 - X4.20

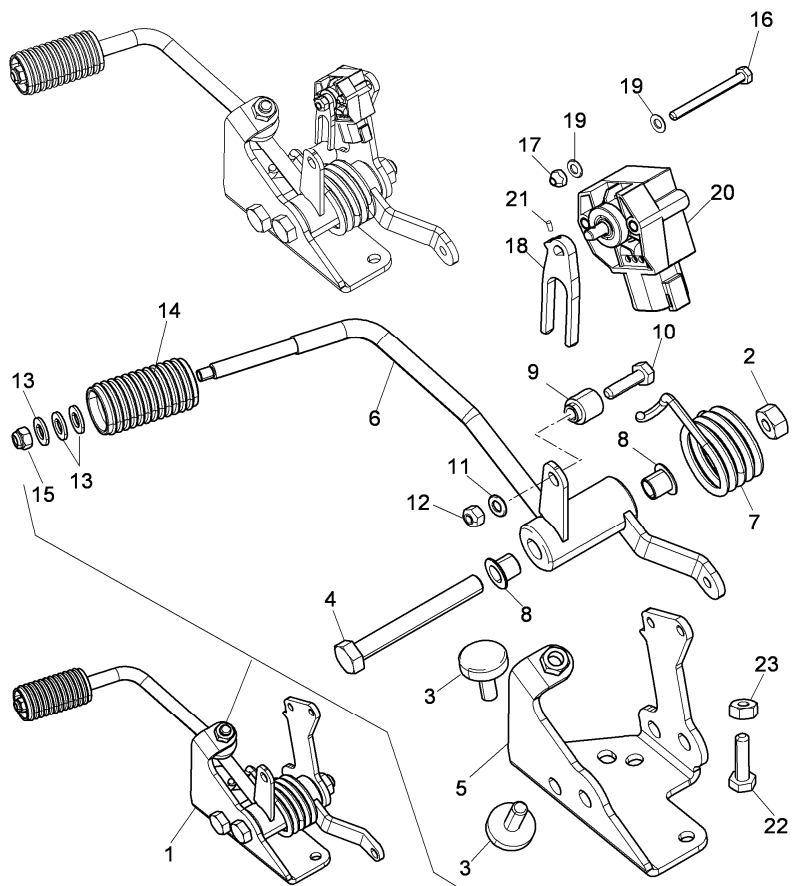
RS53\00046364.png

**C-32
60**



C3260

Foot accelerator



Inglese

-	A		
1	6530648M91		1 Control unit
2	1441932X1	!	1 Nut
3	3542670M91	!	2 Pad
4	390122X1	◀▶	1 Screw
		!	1
5	6521048M94	!	1 Support
6	6520822M93	!	1 Pedal
7	6520826M2	!	1 Spring
8	6521119M1	!	2 Bush
9	6523131M1		1 Pin
10	1442394X1	◀▶	1 Screw
11	390469X1		2 Washer
12	1441917X1		1 Nut
13	1440273X1	!	3 Washer
14	6510553M1	!	1 Roller
15	1441500X1	!	1 Nut
16	6520997X1	◀▶	2 Screw
17	3009074X1		2 Nut
18	6523041M2		1 Lever
19	390468X1		4 Lock washer
20	6521008M92		1 Sensor
21	3005606X1		1 Dowel pin
22	3009192X1	▶◀	2 Screw
23	339169X1	●	2 Nut

Engine ancillary equipment

**C-32
60**

Foot accelerator

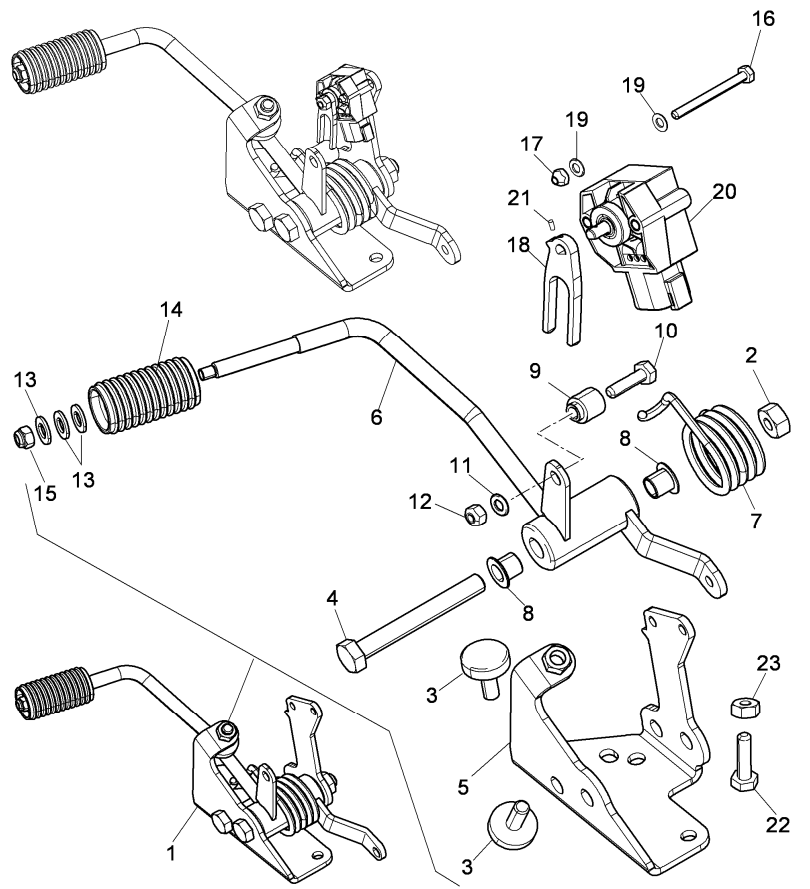
X4 Small Range Series (2015-) - RS53 - X4.20



C3260

RS53\00046364.png

- ! This is a component of an assembly
- ◀▶ Width
- ◄► Length
- Replacement
- A Electronic control



Engine ancillary equipment

X4 Small Range Series (2015-) - RS53 - X4.20

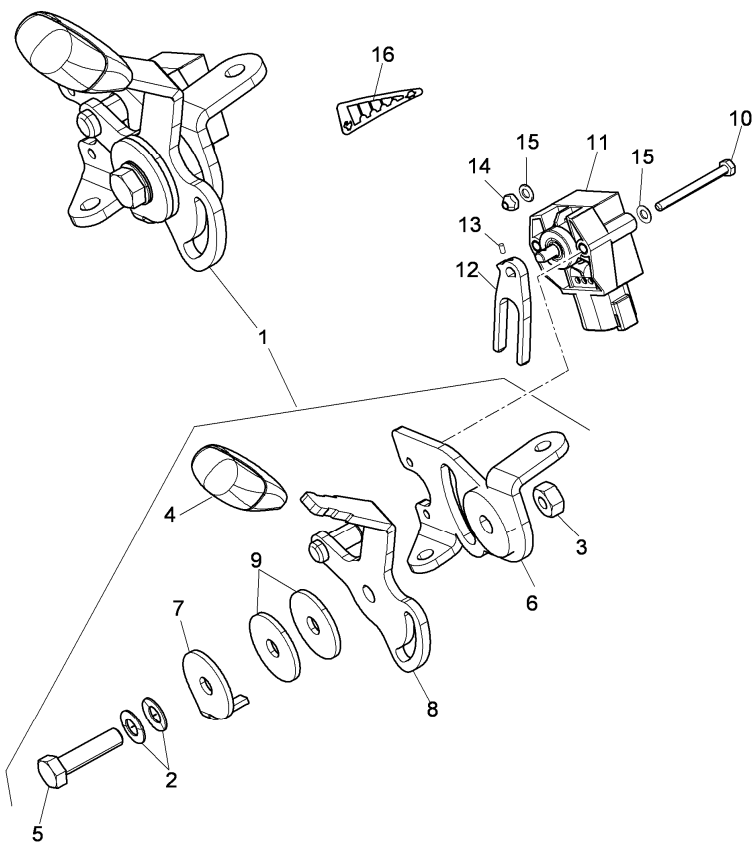
RS53\00046729.png

C-32
61



C3261

Hand accelerator



Inglese

-	A		
1	6520955M94		1
2	1441075X1	! 1	2 Spring
3	1441932X1	! 1	1 Nut
4	177106A1	! 1	1 Grip
5	3009495X1	◄► M10x40 ! 1	1 Screw
6	6520816M92		1 Support
7	6520819M2		1 Washer
8	6520953M94		1 Lever
9	973078M2	! 1	2 Disc
10	6520997X1	◄► M4x45	2 Screw
11	6521008M92		1 Sensor
12	3660194M2		1 Lever
13	3005606X1		1 Screw
14	3009074X1		2 Nut
15	390468X1		4 Lock washer
16	6527122M1		1
!	This is a component of an assembly		
◄►	Length		
A	Electronic control		

Engine ancillary equipment

X4 Small Range Series (2015-) - RS53 - X4.20

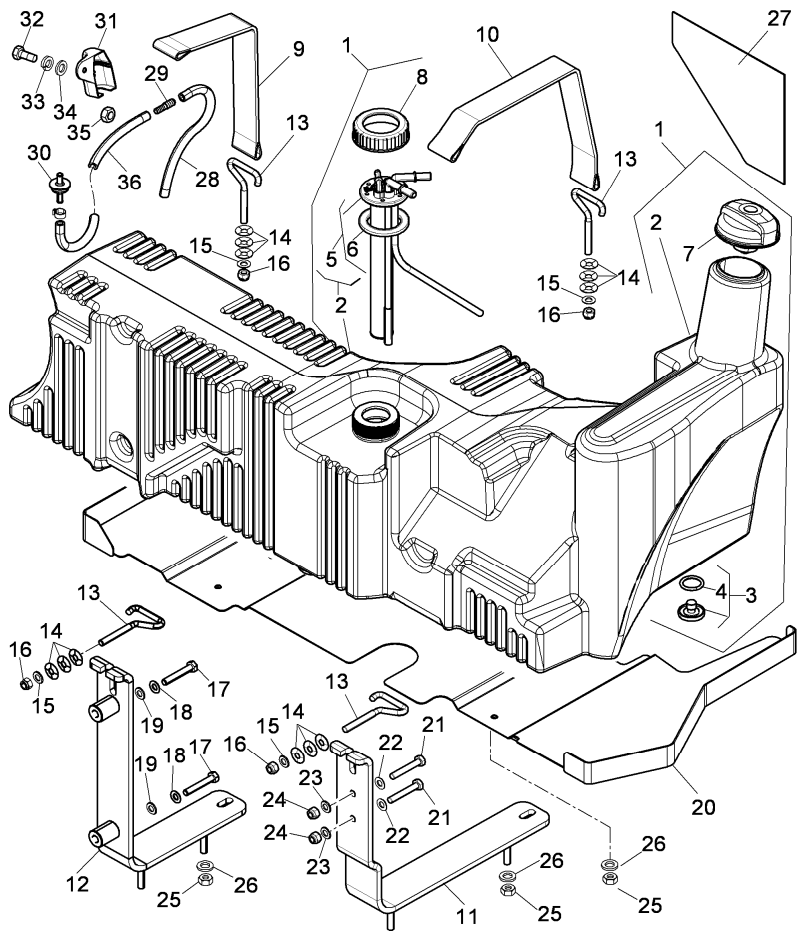
RS53\00046701.png

C-32
70



C3270

Fuel tank



- | | | | | |
|----|------------|---|---------------|--|
| 1 | 6528528M91 | | | |
| 2 | 6528529M91 | ! | 1 | |
| 3 | 6507057M1 | ! | 2 | |
| 4 | 6507055M1 | ! | 3 | |
| 5 | 6528913M91 | ! | 1 | |
| 6 | 3657948M1 | ! | 5 | |
| 7 | 6510580M91 | ! | 2 | |
| | | ● | 3664253M91(1) | |
| 8 | 3654964M1 | ! | 1 | |
| 9 | 6528284M1 | | | |
| 10 | 6528283M1 | | | |
| 11 | 6528280M91 | A | | |
| 12 | 6528282M91 | A | | |
| 13 | 3685139M2 | | | |
| 14 | 973079M1 | | | |
| 15 | 390597X1 | | | |
| 16 | 1440329X1 | | | |
| 17 | 3009501X1 | ◄ | M10x70mm | |
| 18 | 1440314X1 | | | |
| 19 | 390734X1 | | | |
| 20 | 6528538M91 | | | |
| 21 | 3009495X1 | ◄ | M10x40mm | |
| 22 | 390734X1 | | | |
| 23 | 390734X1 | | | |
| 24 | 1440329X1 | | | |

Inglese

- | | |
|----|-----------|
| 1 | Tank |
| 1 | Tank |
| 1 | Plug |
| 1 | |
| 1 | Indicator |
| 1 | Gasket |
| 1 | Plug |
| 1 | Ferrule |
| 1 | Belt |
| 1 | Belt |
| 1 | Stirrup |
| 1 | Stirrup |
| 4 | Tie rod |
| 20 | Spring |
| 4 | Washer |
| 4 | Nut |
| 2 | Screw |
| 2 | Washer |
| 2 | Washer |
| 1 | Guard |
| 2 | Screw |
| 2 | Washer |
| 2 | Washer |
| 4 | Nut |

Engine ancillary equipment

X4 Small Range Series (2015-) - RS53 - X4.20

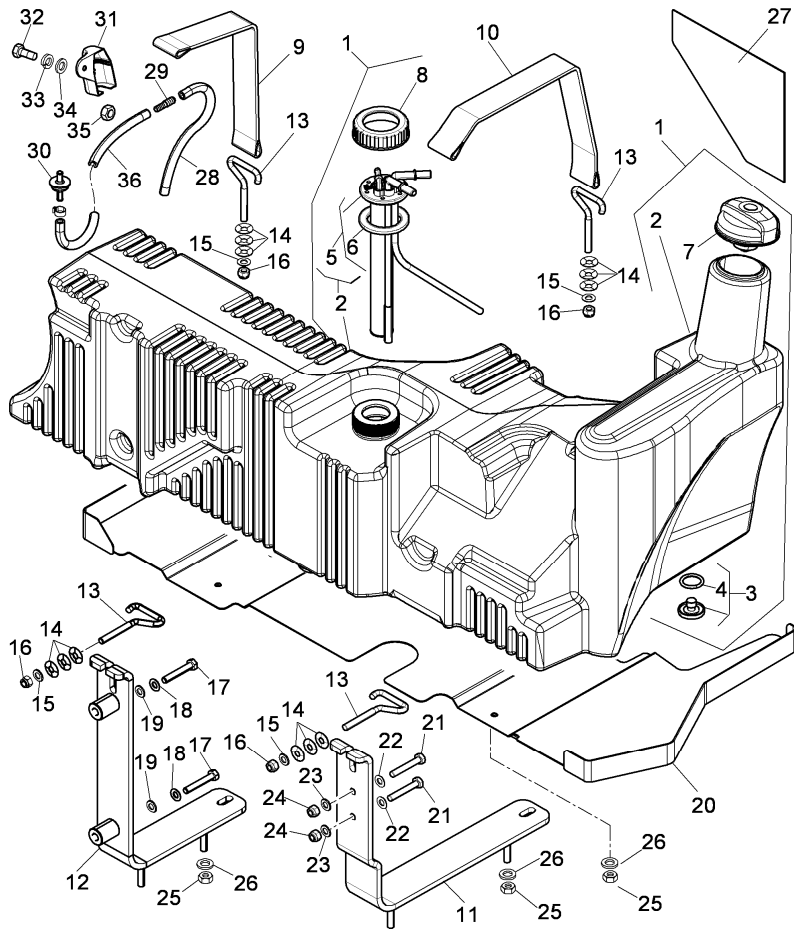
RS53\00046701.png

**C-32
70**



C3270

Fuel tank



25	339169X1	●	394367X1(5)	5	Nut
26	390972X1	●	Substitutions error	6	Washer
27	6523715M1			1	Shield
28	4217381M1			1	Pipe
29	6531205M1			1	Final drive
30	3683798M91			1	Valve
31	186814A1			1	Sleeve
32	339123X1	●	000160434210(1)	1	Screw
33	391037X1			1	Lock washer
34	390972X1	●	Substitutions error	2	Washer
35	339169X1	●	394367X1(1)	1	Nut
36	4220286M1	●	3675081M1(1)	1	Pipe

! This is a component of an assembly

◄ Length

● Replacement

A Rear

Inglese

Engine ancillary equipment

X4 Small Range Series (2015-) - RS53 - X4.20

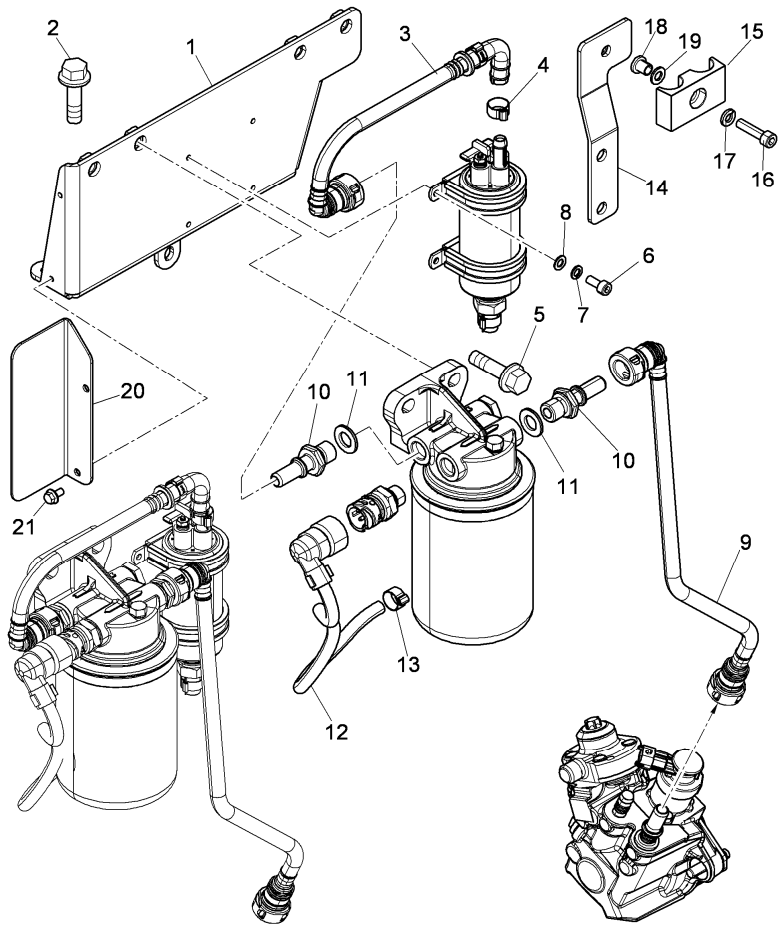
RS53\00046709.png

C-32
71



C3271

Fuel tank and pipings



		Inglese
1	6520489M94	1 Support
2	3009192X1 ◀▶ M8x16mm	3 Screw
3	6532779M91 A	1 Pipe
4	3530490M91	1 Clamp
5	3009206X1 ◀▶ M10x25mm	4 Screw
6	3009271X1 ◀▶ M5x12mm	4 Screw
7	339381X1	4 Lock washer
8	390469X1	4 Washer
9	6520857M91 A	1 Pipe
10	6519937M1	2 Union
11	3004861X1	2 Gasket
12	D	1 Pipe
13	D	1 Collar
14	6522962M91	1 Stirrup
15	6515143M1	1 Block
16	3009282X1 ● 1442018X1(1)	1 Screw
17	339375X1	1 Lock washer
18	6515261M1	1 Spacer
19	390971X1	1 Washer
20	6532144M1	1 Guard
21	6521747X1 M5x10mm	2 Screw
◀▶	Length	
●	Replacement	
A	Discharge	
D	To be advised	

Engine ancillary equipment

X4 Small Range Series (2015-) - RS53 - X4.20

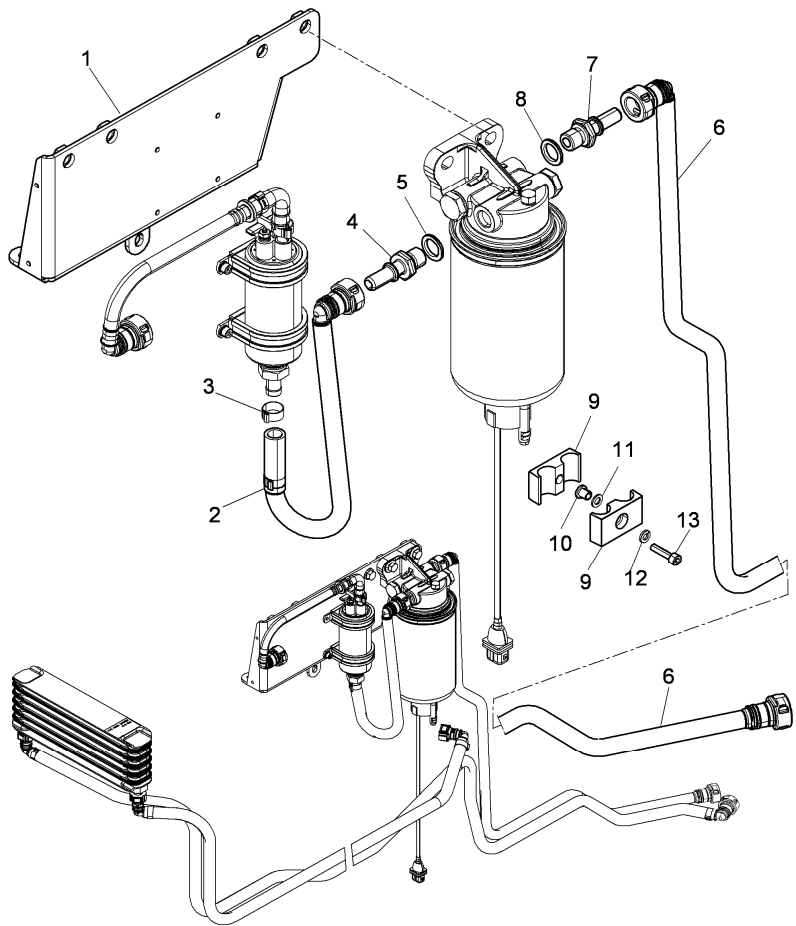
RS53\000046708.png

**C-32
72**



C3272

Fuel tank and pipings



- 1 C-32 71 1
- 2 6532777M91 A
- 3 3664416M1
- 4 6519937M1
- 5 3004861X1
- 6 6532778M91 B
- 7 6519937M1
- 8 3004861X1
- 9 6515143M1
- 10 6515261M1
- 11 390971X1
- 12 339375X1
- 13 339560X1 339282X1(2)

See page - reference number

Replacement

A Return

B Return

Inglese

- 1 Support
- 1 Pipe
- 1 Clamp
- 1 Union
- 1 Gasket
- 1 Pipe
- 1 Union
- 1 Gasket
- 4 Block
- 1 Spacer
- 2 Washer
- 2 Lock washer
- 2 Screw

Engine ancillary equipment

X4 Small Range Series (2015-) - RS53 - X4.20

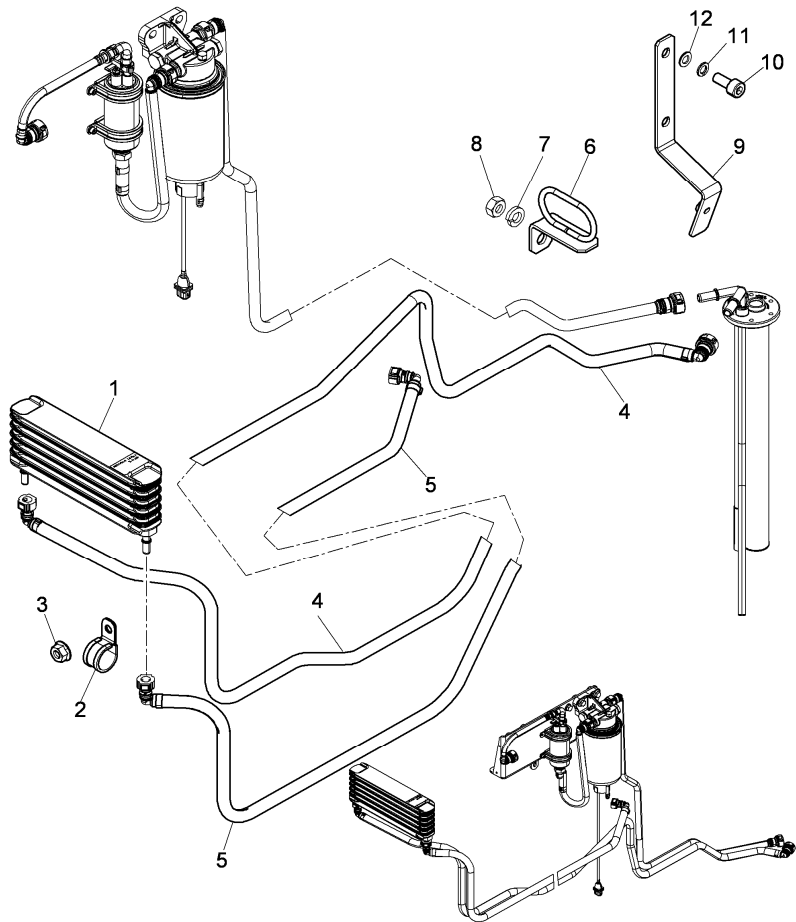
RS53\00046710.png

C-32
73



C3273

Fuel tank and pipings



- 1 6511914M92
- 2 3677048M91
- 3 3019124X1
- 4 6532816M91 A
- 5 6532813M91 B
- 6 4206608M92
- 7 1440314X1
- 8 3009693X1
- 9 6532825M91
- 10 3000257X1
- 11 339375X1
- 12 390971X1

- ◄ Length
- Replacement
- A Return
- B Discharge

- Substitutions error
- ◄ M6x35mm

Inglese

- 1 Exchanger
- 1 Clamp
- 1 Nut
- 1 Pipe
- 1 Pipe
- 1 Stirrup
- 1 Washer
- 1 Nut
- 1 Stirrup
- 2 Screw
- 2 Lock washer
- 2 Washer

Engine ancillary equipment

X4 Small Range Series (2015-) - RS53 - X4.20

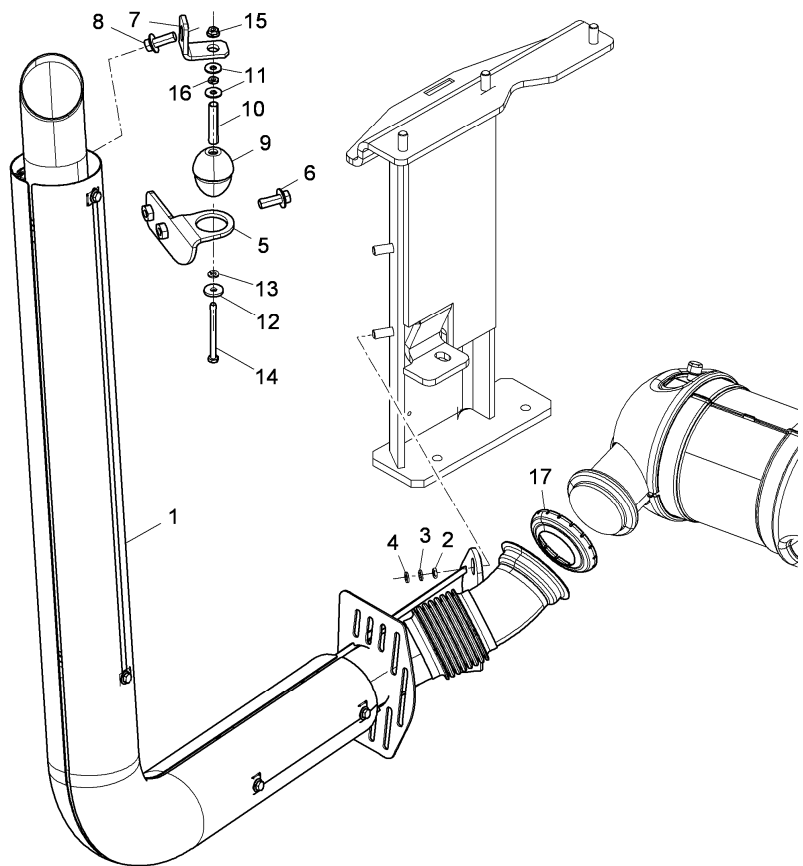
RS53\00046711.png

C-32
80



C3280

Exhaust system - vertical



			Inglese
-	A		
1	6523107M91		1 Pipe
2	3009693X1	● Substitutions error	2 Nut
3	390597X1		2 Washer
4	1440314X1		2 Washer
5	6521313M91		1 Stirrup
6	3009205X1	◀ M10x20	2 Screw
7	6529383M1		1 Stirrup
8	3009192X1	◀ M8x16	1 Screw
9	6519755M1		1 Pad
10	6519234M1		1 Spacer
11	391038X1		2 Washer
12	390936X1		1 Bush
13	339375X1		1 Lock washer
14	3009035X1	◀ M6x75	1 Screw
15	3019123X1		1 Nut
16	1440207X1	● 392308X1(1)	1 Nut
17	6532545M1		1 Spacer
◀	Length		
●	Replacement		
A	With cab		

Engine ancillary equipment

X4 Small Range Series (2015-) - RS53 - X4.20

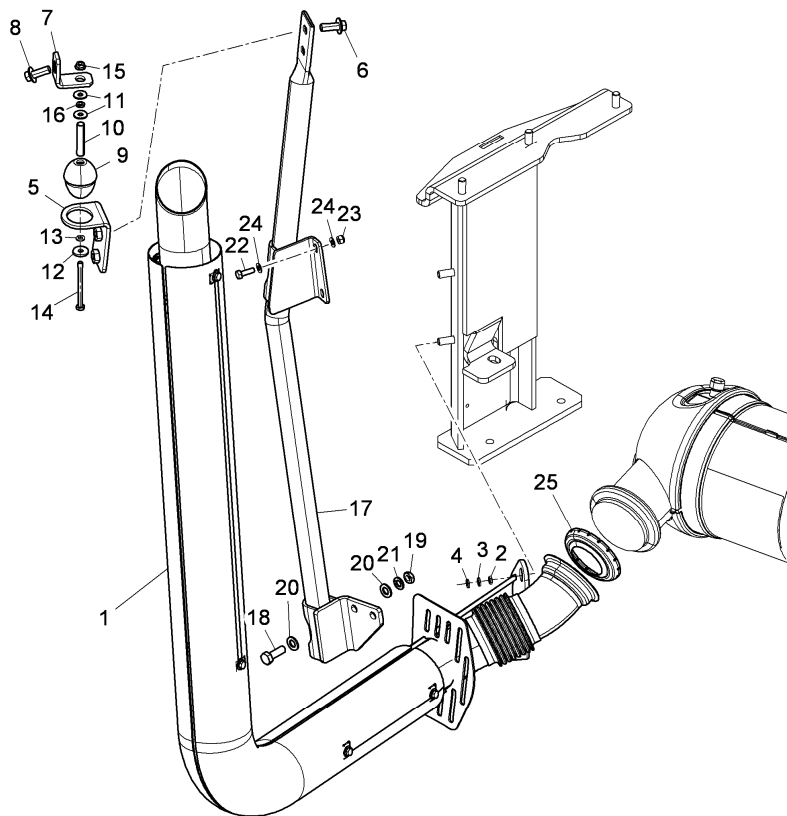
RS53\00046713.png

**C-32
805**



C32805

Exhaust system - vertical



Inglese

-	A	Inglese
1 6527573J90		1 Pipe
2 3009693X1	● Substitutions error	2 Nut
3 390597X1		2 Washer
4 1440314X1		2 Washer
5 6531903M91		1 Stirrup
6 3009206X1	◀ M10x25	2 Screw
7 6529383M1		1 Stirrup
8 3009192X1	◀ M8x16	1 Screw
9 6519755M1		1 Pad
10 6519234M1		1 Spacer
11 391038X1		2 Washer
12 390936X1		1 Bush
13 339375X1		1 Lock washer
14 3009035X1	◀ M6x75	1 Screw
15 3019123X1		1 Nut
16 1440207X1	● 392308X1(1)	1 Nut
17 6527208M92		1 Frame
18 3009507X1	◀ M12x35 ● 391375X1(2)	2 Screw
19 3009696X1		2 Nut
20 390735X1	● Substitutions error	4 Washer
21 339369X1		2 Washer
22 339761X1	◀ M8x25 ● 339666X1(2)	2 Screw



Suggest:

For more complete manuals. Please go to the home page.

<https://www.ebooklibonline.com>

If the above button click is invalid. Please download this document first, and then click the above link to download the complete manual.

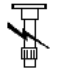
Thank you so much for reading

Engine ancillary equipment

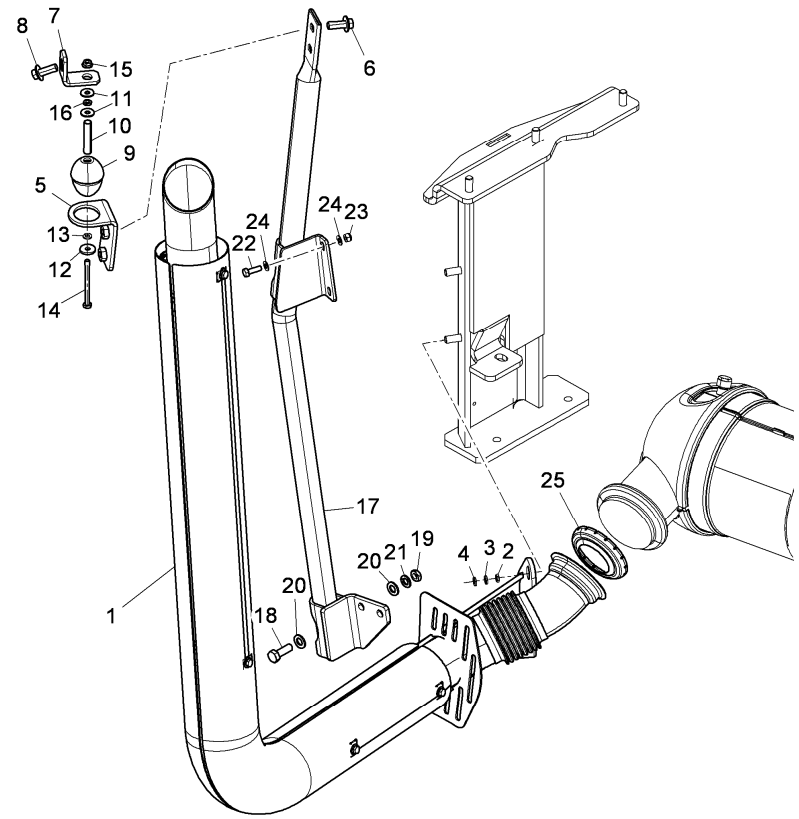
C-32
805

Exhaust system - vertical

X4 Small Range Series (2015-) - RS53 - X4.20

 C32805

RS53\00046713.png



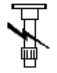
Inglese

- 23 394367X1
- 24 390972X1 ● Substitutions error
- 25 6532545M1
- ◄► Length
- Replacement
- A With platform
- 2 Nut
- 4 Washer
- 1 Spacer

Engine ancillary equipment

X4 Small Range Series (2015-) - RS53 - X4.20

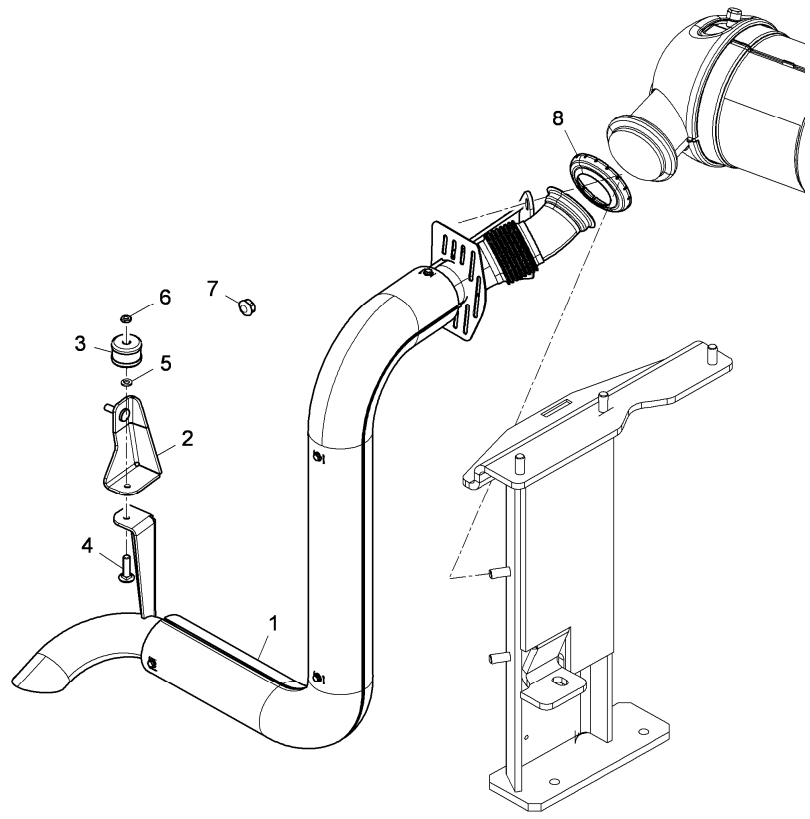
**C-32
81**



C3281

Exhaust system- horizontal

RS53\00046712.png



		Inglese
-	A	
1	6526656M92	1 Pipe
2	6526663M92	1 Support
3	6522214M91	1 Pad
4	339761X1	2 Screw
	◄► M8x25	
	● 339666X1(2)	
5	390972X1	2 Washer
	● Substitutions error	
6	339169X1	2 Nut
	● 394367X1(2)	
7	3652566M1	2 Plug
8	6532545M1	1 Spacer
◄►	Length	
●	Replacement	
A	With platform	

<https://www.ebooklibonline.com>

Hello dear friend!

Thank you very much for reading.

Enter the link into your browser.

The full manual is available for immediate download.

<https://www.ebooklibonline.com>