

Engine

X4 Series (2014-) - RS52 - X4.70

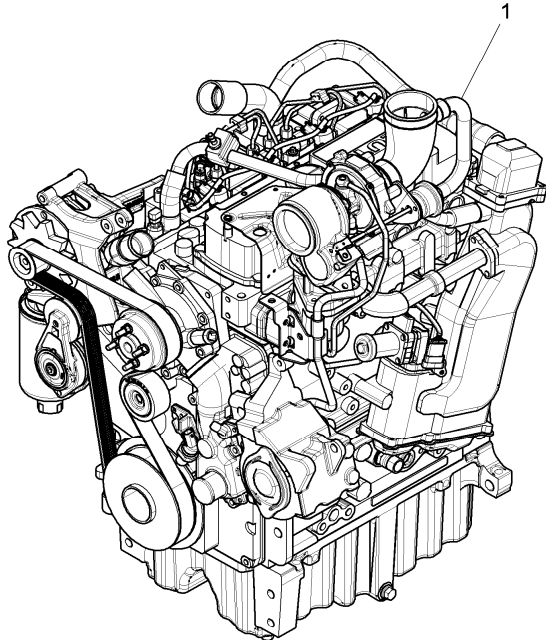
RS52\00044995.png

A-05
01



A0501

Engine assembly



		Inglese	
1	6515014M91	● 6515014M92(1)	1 Engine
		Deutz tcd 3.6 I4 - ;	
1	6527756M91	Deutz tcd 3.6 I4 - ;	1 Engine
		Pre-built	
1	6527757M91	Deutz tcd 3.6 I4 - ;	1 Engine
		A	
●	Replacement		
A	Flexibility engine		

Engine

X4 Series (2014-) - RS52 - X4.70

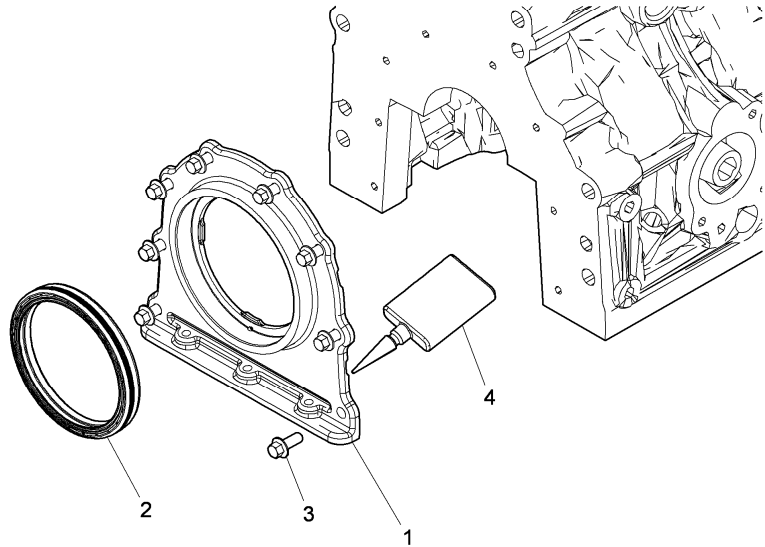
RS52\00045562.png

A-05
02



A0502

Crankcase covers



- 1 6529942M1 A
- 1 6530021M1 A
- 2 6529718M1 A
- 2 6529905M1 A
- 3 6529664M1
- 4 6529667M1
- A Please contact spare parts dept.

Inglese

- 1 Cover
- 1 Cover
- 1 Ring
- 1 Gasket
- 8 Bolt
- 999 Sealer

Engine

X4 Series (2014-) - RS52 - X4.70

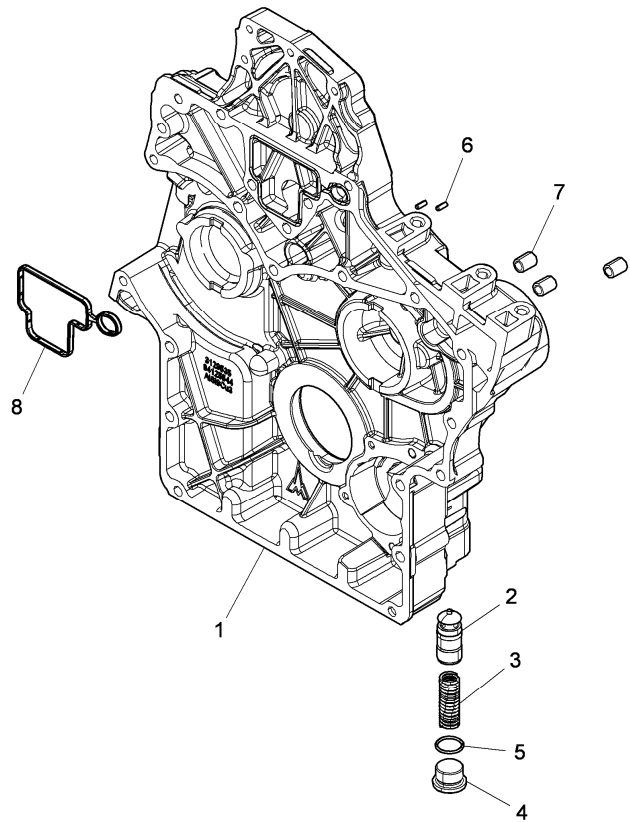
RS52\00045608.png

A-05
03



A0503

Crankcase covers



- 1 6529969M91
- 2 6530065M1
- 3 6530066M1
- 4 6529722M1
- 5 6529723M1
- 6 6529755M1
- 7 6529923M1
- 8 6529713M1

Inglese

- 1 Crankcase
- 1 Stem
- 1 Spring
- 1 Base plate
- 1 Ring
- 2 Dowel
- 3 Dowel
- 1 Gasket

<https://www.ebooklibonline.com>

Hello dear friend!

Thank you very much for reading.

Enter the link into your browser.

The full manual is available for immediate download.

<https://www.ebooklibonline.com>

Engine

X4 Series (2014-) - RS52 - X4.70

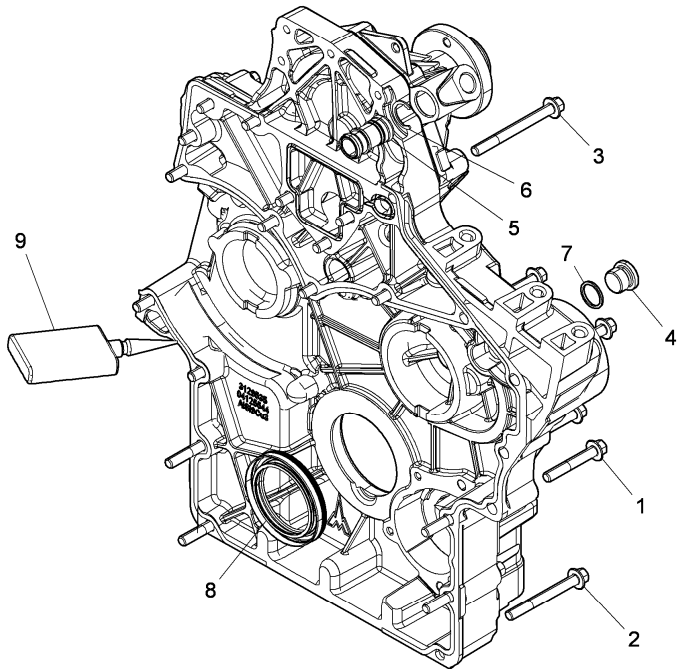
RS52\00045600.png

A-05
04



A0504

Crankcase covers



- 1 6529704M1
- 2 6529686M1
- 3 6529680M1
- 4 6529926M1
- 5 6530040M1
- 6 6529735M1
- 7 6529749M1
- 8 6529947M1
- 9 6529667M1

Inglese

- 10 Bolt
- 7 Bolt
- 5 Bolt
- 1 Plug
- 1 Connection
- 1 Half ring
- 1 Ring
- 1 Gasket
- 999 Sealer

Engine

X4 Series (2014-) - RS52 - X4.70

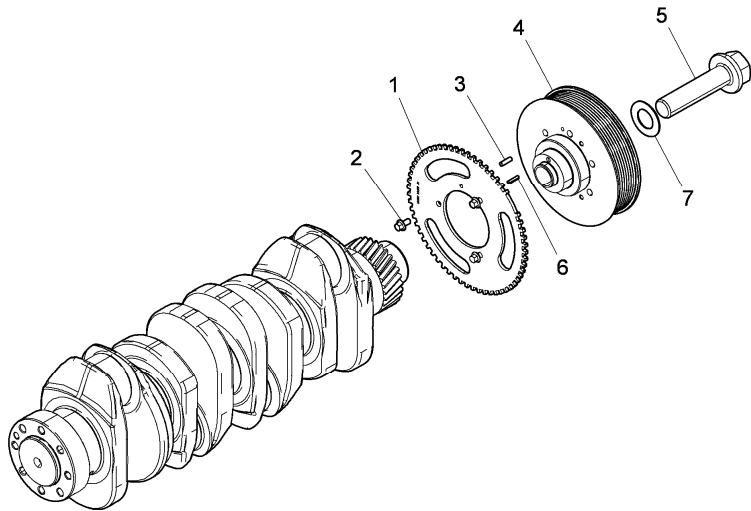
RS52\00045601.png

A-05
05



A0505

Pulley camshaft



- 1 6530007M1
- 2 6529665M1
- 3 6529909M1
- 4 6530003M1
- 5 6529961M1
- 6 6529757M1
- 7 6529727M1

Inglese

- 1 Disc
- 3 Bolt
- 1 Dowel
- 1 Pulley
- 1 Bolt
- 1 Dowel
- 1 Washer

Engine

X4 Series (2014-) - RS52 - X4.70

RS52\00045620.png

A-05
06

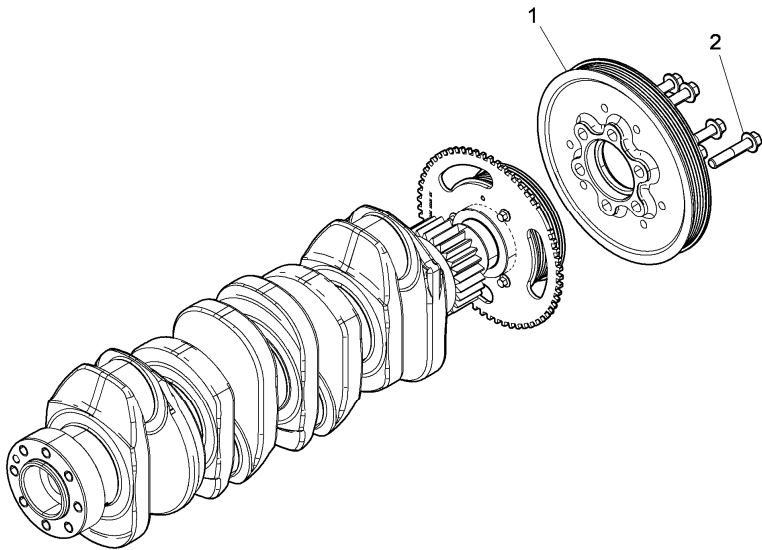


A0506

Drive pulley

- 1 6529968M1
- 2 6529693M1

- Inglese
- 1 Pulley
 - 6 Bolt



Engine

X4 Series (2014-) - RS52 - X4.70

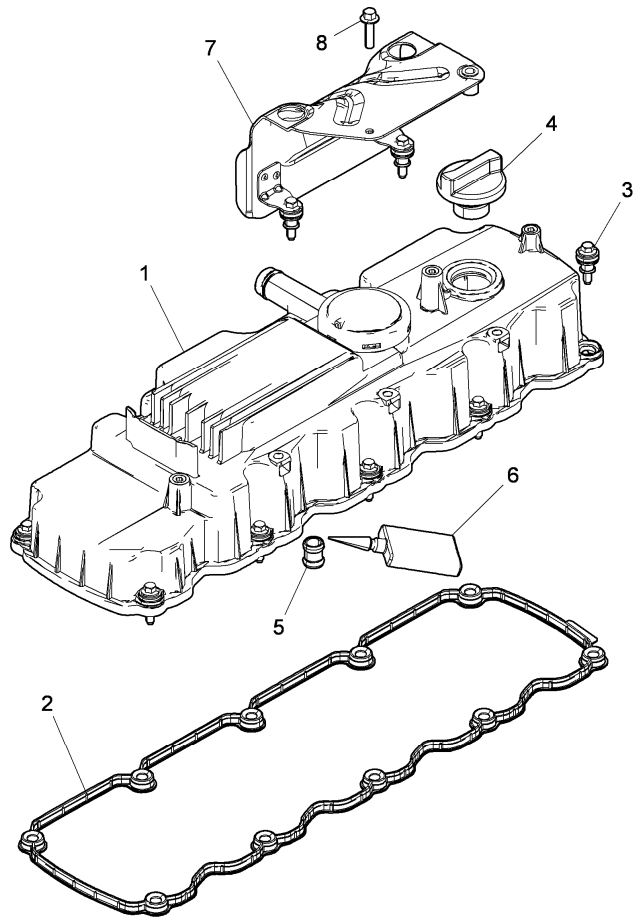
RS52\00045565.png

A-05
07



A0507

Cylinder head cover



- 1 6530057M1
- 2 6530025M1
- 3 6530035M1
- 4 6529690M1
- 5 6529995M1
- 6 6529904M91
- 7 6530016M1
- 8 6529930M1

Inglese

- 1 Cover
- 1 Gasket
- 10 Screw
- 1 Plug
- 1 Plug
- 999 Sealer
- 1 Guard
- 1 Bolt

Engine

X4 Series (2014-) - RS52 - X4.70

RS52\00045558.png

**A-05
08**



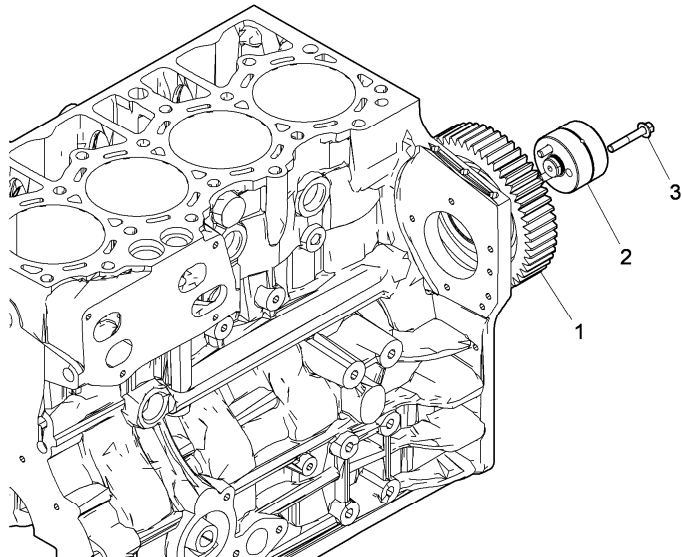
A0508

Timing gear and camshaft

Inglese

- 1 6530018M1
- 2 6530010M91
- 3 6529669M1

- 1 Gear
- 1 Shaft
- 3 Bolt



Engine

X4 Series (2014-) - RS52 - X4.70

RS52\00045575.png

A-05
09



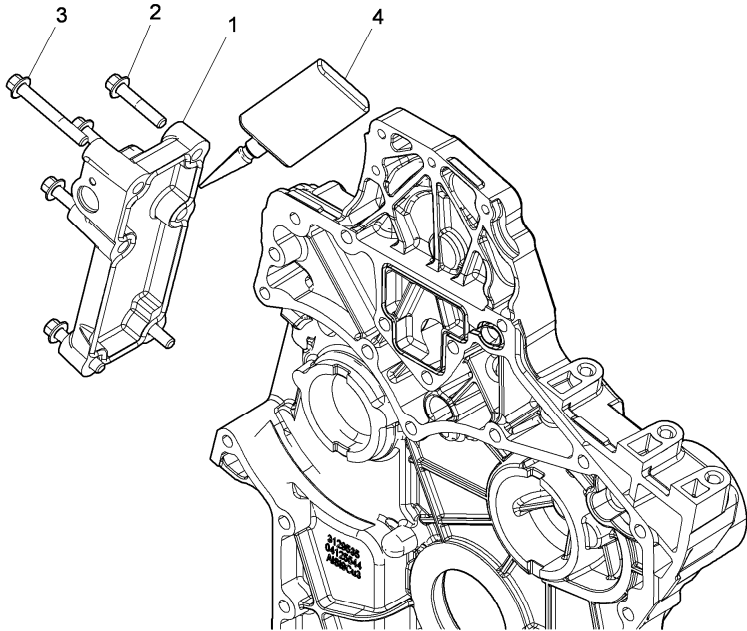
A0509

Cover timing gear

- 1 6530046M1
- 2 6529702M1
- 3 6529707M1
- 4 6529667M1

Inglese

- 1 Cover
- 4 Bolt
- 2 Bolt
- 999 Sealer



Engine

X4 Series (2014-) - RS52 - X4.70

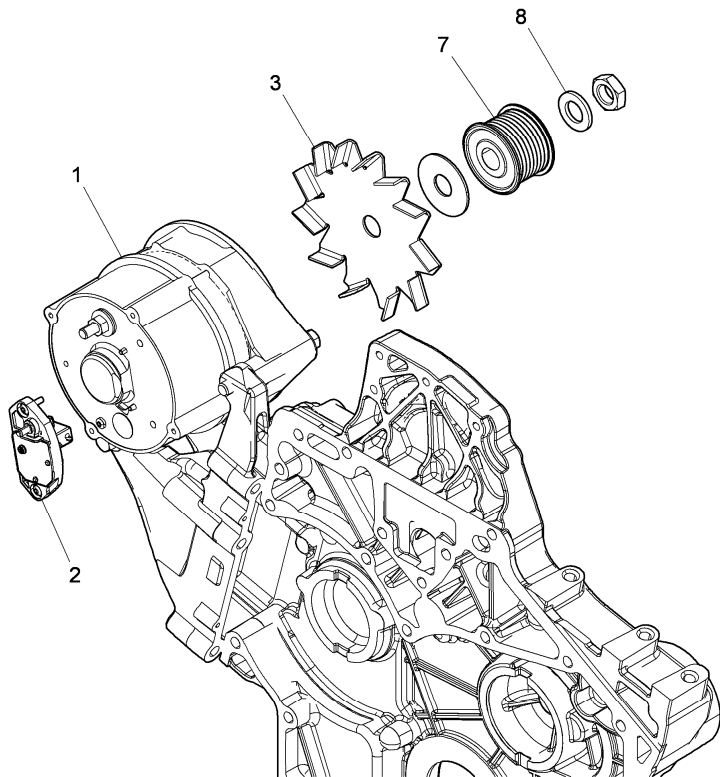
RS52\00045572.png

A-05
10



A0510

Alternator



- 1 6530064M91
- 2 6530019M91 ! 1
- 3 6529706M91 ! 1
- 7 6530005M1
- 8 6529741M91 ! 1

! This is a component of an assembly

Inglese

- 1 Alternator
- 1 Adjuster
- 1 Ventilator
- 1 Pulley
- 1 Kit

Engine

X4 Series (2014-) - RS52 - X4.70

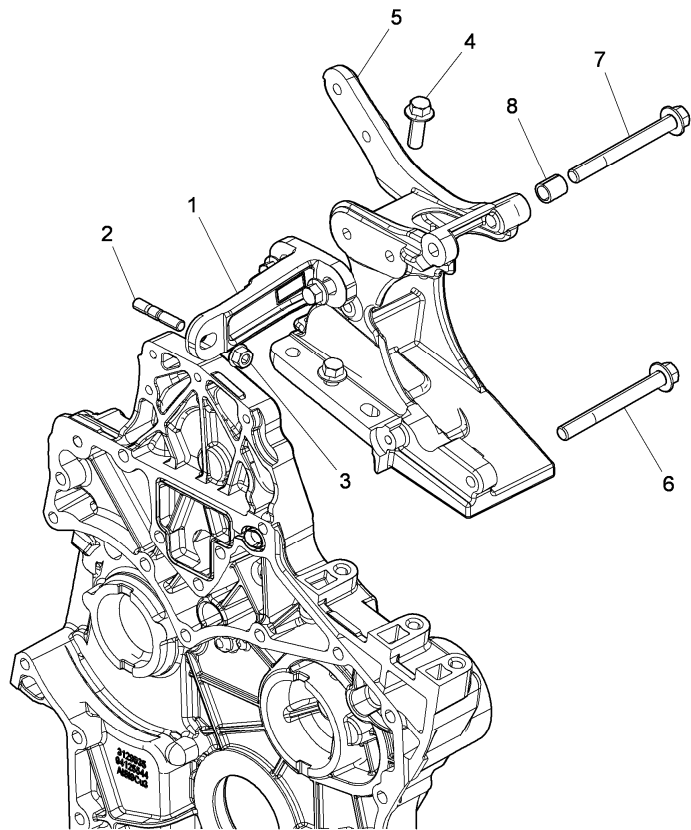
RS52\00045596.png

A-05
11



A0511

Support



- 1 6530062M1
- 2 6529677M1
- 3 6529670M1
- 4 6529935M1
- 5 6529960M1
- 6 6529907M1
- 7 6529928M1
- 8 6530011M1

Inglese

- 1 Support
- 1 Screw
- 1 Nut
- 4 Bolt
- 1 Stirrup
- 1 Bolt
- 1 Bolt
- 1 Sleeve

Engine

X4 Series (2014-) - RS52 - X4.70

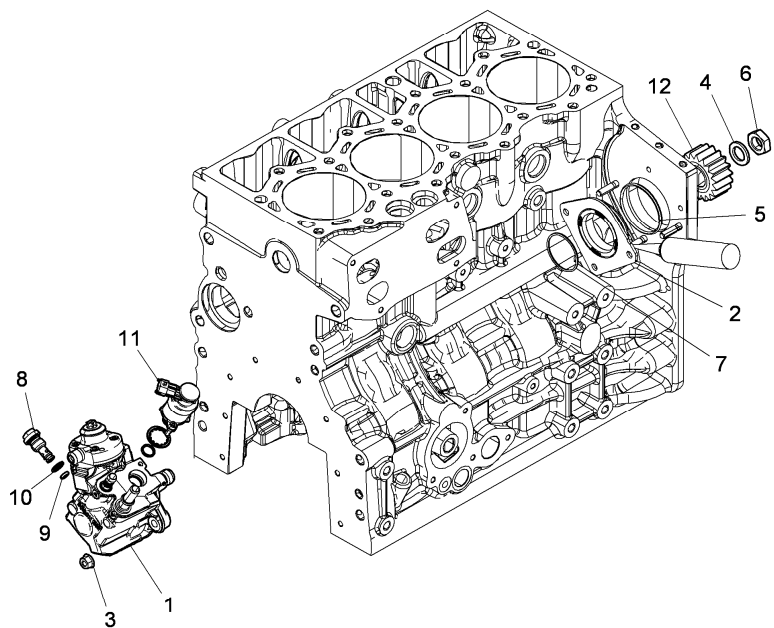
A-05
12



A0512

Fuel injection equipment

RS52\00045561.png



- 1 6530026M91
- 2 6530028M1
- 3 6529670M1
- 4 6530044M1
- 5 6529984M1
- 6 6529761M1
- 7 6529958M1
- 8 6529715M1
- 9 6529726M1
- 10 6529717M1
- 11 6529710M91
- 12 6530027M1

Inglese

- 1 Pump
- 1 Spacer
- 3 Nut
- 1 Washer
- 1 Ring
- 1 Nut
- 1 Ring
- 1 Valve
- 1 Ring
- 1 Ring
- 1 Adjuster
- 1 Gear

Engine

X4 Series (2014-) - RS52 - X4.70

RS52\00045560.png

A-05
13

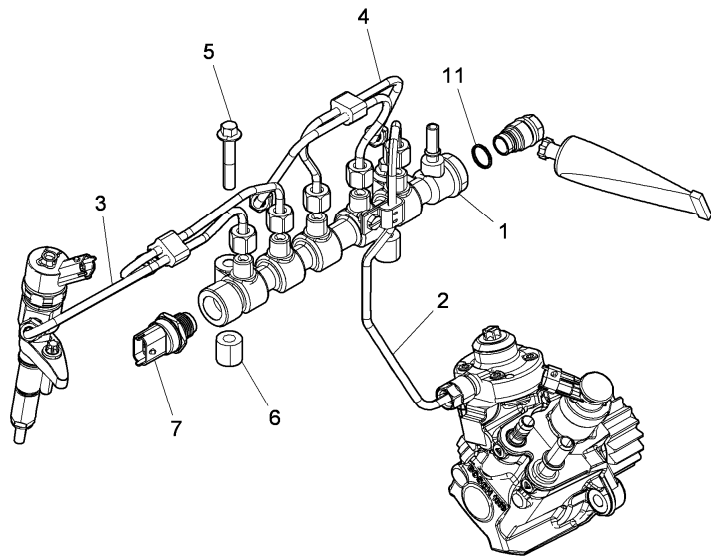


A0513

Fuel injection equipment

Inglese

- | | | | |
|----|------------|---|----------|
| 1 | 6530039M1 | 1 | Manicott |
| 2 | 6530038M1 | 1 | Pipe |
| 3 | 6530034M1 | 1 | Pipe |
| 4 | 6530053M1 | 1 | Pipe |
| 5 | 6529669M1 | 2 | Bolt |
| 6 | 6530050M1 | 2 | Spacer |
| 7 | 6529993M91 | 1 | Kit |
| 11 | 6529975M1 | 1 | Ring |



Engine

X4 Series (2014-) - RS52 - X4.70

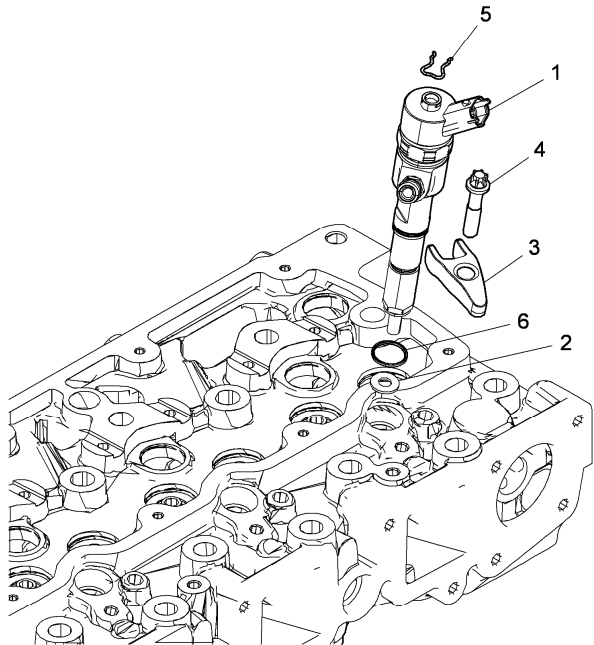
RS52\00045559.png

A-05
14



A0514

Fuel injection equipment



- 1 6530033M1
- 2 6529739M1
- 3 6529953M1
- 4 6530023M1
- 5 6529939M1
- 6 6530020M1

Inglese

- 4 Nozzle
- 4 Washer
- 4 Skate
- 4 Screw
- 4 Retainer
- 4 Ring

Engine

X4 Series (2014-) - RS52 - X4.70

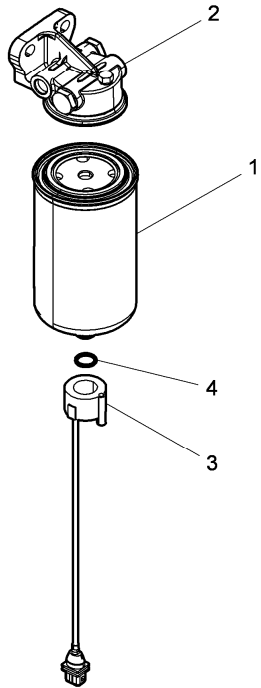
RS52\00045569.png

A-05
15



A0515

Pre filter



- 1 6529570M1
- 2 6530029M1
- 3 6529973M1
- 4 6529974M1

Inglese

- 1 Filter
- 1 Head
- 1 Cable
- 1 Ring

Engine

X4 Series (2014-) - RS52 - X4.70

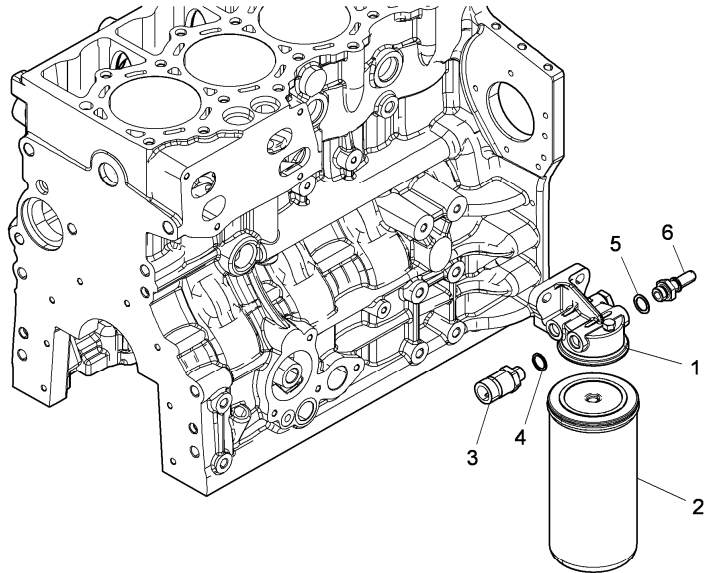
RS52\00045606.png

A-05
16



A0516

Fuel filter



- 1 6530004M1
- 2 6529571M1
- 3 6529681M1 A
- 4 6529676M1
- 5 6529919M1
- 6 6529983M1
- A Fuel pressure

Inglese

- 1 Head
- 1 Filter
- 1 Sensor
- 1 Ring
- 1 Ring
- 1 Plug

Engine

X4 Series (2014-) - RS52 - X4.70

RS52\00045624.png

A-05
17



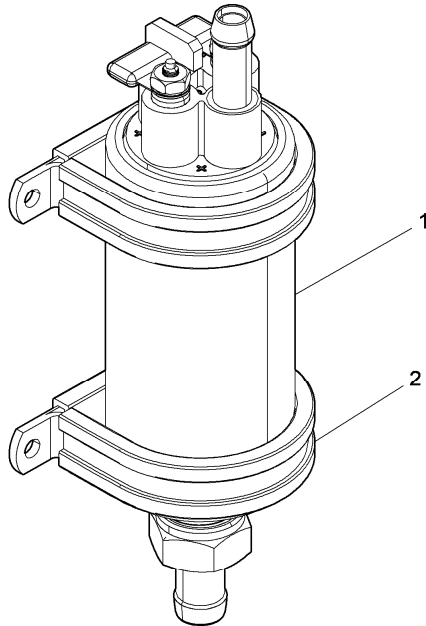
A0517

Gas pump

Inglese

- 1 6530059M91
- 2 6529912M1

- 1 Pump
- 2 Collar



Engine

X4 Series (2014-) - RS52 - X4.70

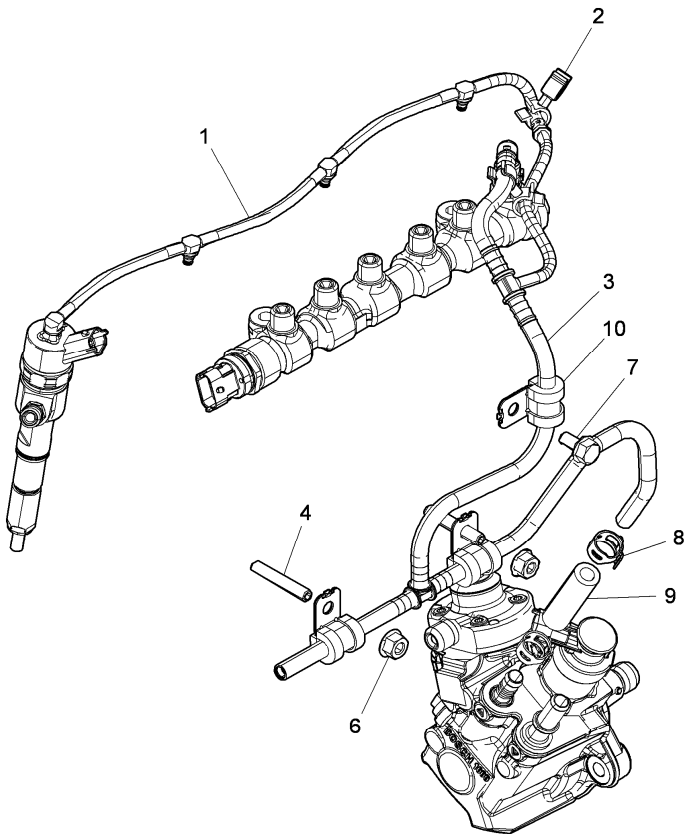
A-05
18



A0518

Fuel lines

RS52\00045574.png



- 1 6529957M1
- 2 6530037M1
- 3 6529955M1
- 4 6529677M1
- 6 6529670M1
- 7 6529937M1
- 8 6529915M1
- 9 6529731M1
- 10 6529699M1

Inglese

- 1 Pipe
- 2 Support
- 1 Duct
- 2 Screw
- 2 Nut
- 1 Bolt
- 2 Clamp
- 1 Pipe
- 3 Clamp

Engine

X4 Series (2014-) - RS52 - X4.70

RS52\00045595.png

**A-05
19**



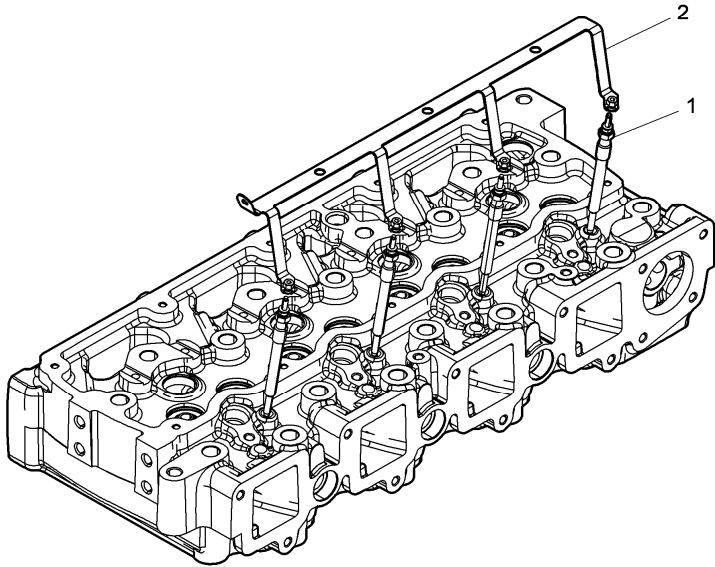
A0519

Glow plug

Inglese

- 1 6529736M1
- 2 6530051M1

- 4 Spark plug
- 1 Bar



Engine

X4 Series (2014-) - RS52 - X4.70

RS52\00045570.png

A-05
20



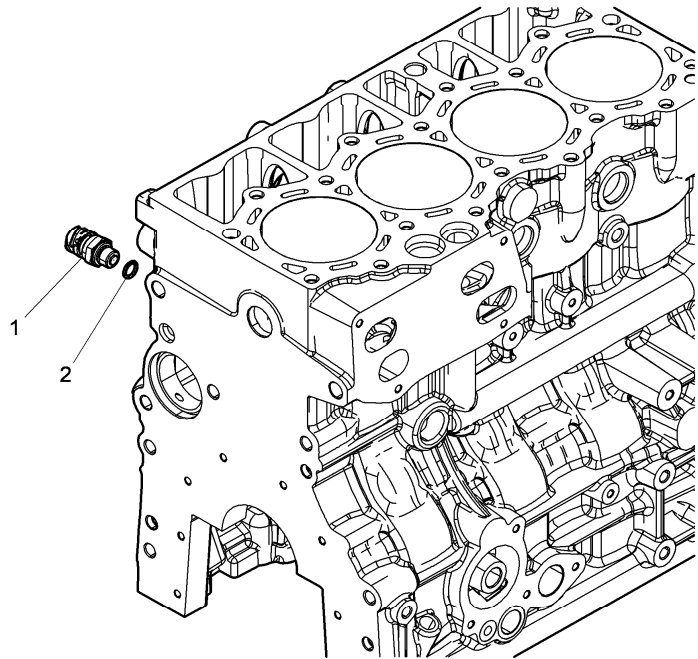
A0520

Sensors

- 1 6529681M1 A
- 2 6529676M1
- A Pressure

Inglese

- 1 Sensor
- 1 Ring



Engine

X4 Series (2014-) - RS52 - X4.70

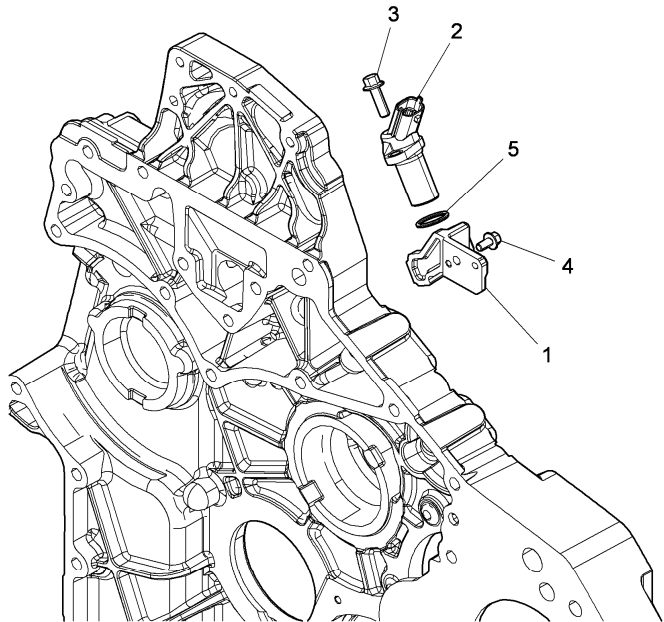
RS52\00045563.png

A-05
21



A0521

Sensors



- 1 6530008M1
- 2 6529675M1 A
- 3 6529685M1 B
- 3 6529698M1 B
- 4 6529920M1
- 5 6529691M1

Inglese

- 1 Stirrup
- 1 Sensor
- 1 Bolt
- 1 Bolt
- 1 Bolt
- 1 Ring

- A Speed
- B Please contact spare parts dept.

Engine

X4 Series (2014-) - RS52 - X4.70

RS52\00045564.png

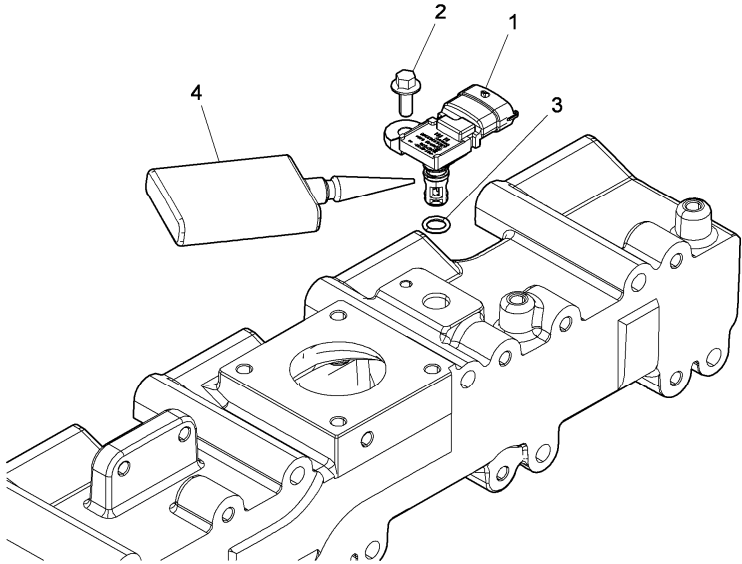
A-05
22



A0522

Sensors

- | | | | Inglese |
|---|------------|---|------------|
| 1 | 6529994M1 | A | 1 Sensor |
| 2 | 6529665M1 | | 1 Bolt |
| 3 | 6529697M1 | | 1 Ring |
| 4 | 6529673M91 | | 999 Sealer |
| A | Pressure | | |



Engine

X4 Series (2014-) - RS52 - X4.70

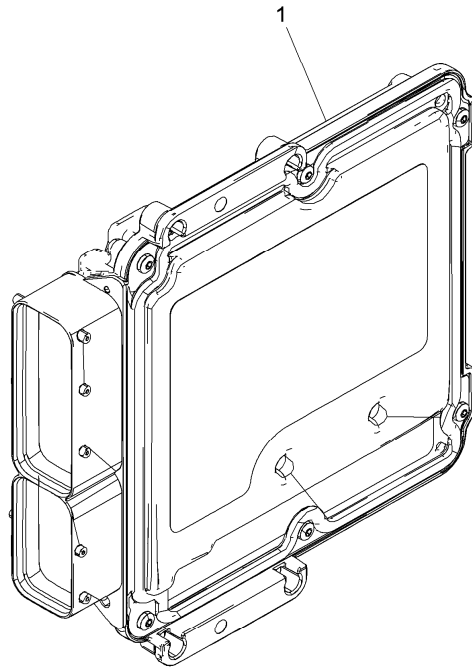
RS52\00045556.png

A-05
23



A0523

Electronic control unit



- 1 6529742M91 ● N.L.S.(1)
A
- 1 6529948M91 ● N.L.S.(1)
A

- Replacement
- A Please contact spare parts dept.

Inglese

- 1 Centralizer
- 1 Centralizer

Thank you very much for your reading. Please Click Here. Then Get COMPLETE MANUAL. NO WAITING



NOTE:

If there is no response to click on the link above, please download the PDF document first and then click on it.

Engine

X4 Series (2014-) - RS52 - X4.70

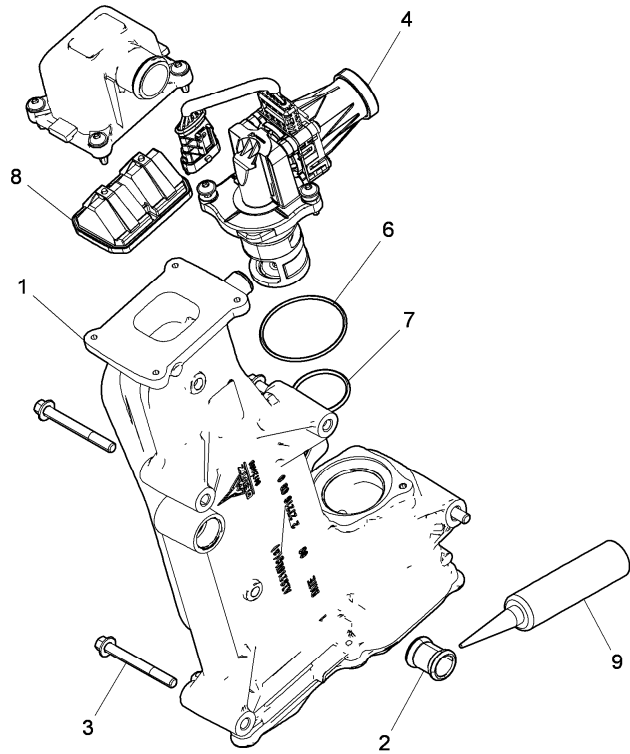
RS52\00045579.png

A-05
24



A0524

Engine control module



- 1 6530063M91
- 2 6529945M1
- 3 6529686M1
- 4 6529938M1
- 6 6529712M1
- 7 6529711M1
- 8 6529959M1
- 9 6529673M91

Inglese

- 1 Centralizer
- 1 Plug
- 4 Bolt
- 1 Valve
- 1 Ring
- 1 Ring
- 1 Valve
- 999 Sealer



Suggest:

For more complete manuals. Please go to the home page.

<https://www.ebooklibonline.com>

If the above button click is invalid. Please download this document first, and then click the above link to download the complete manual.

Thank you so much for reading

Engine

X4 Series (2014-) - RS52 - X4.70

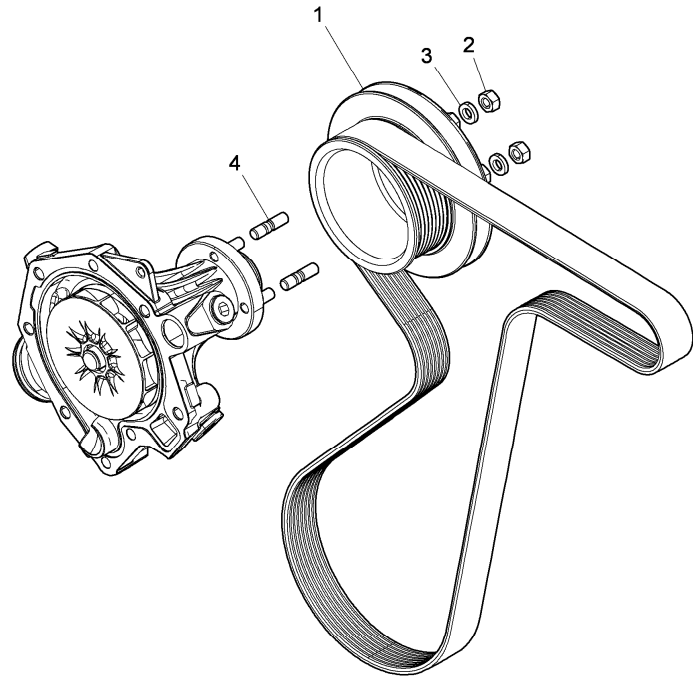
RS52\00045615.png

A-05
25



A0525

Fan-type pulley



- 1 6530009M1
- 2 6529933M1
- 3 6529744M1
- 4 6529908M1

Inglese

- 1 Pulley
- 4 Nut
- 4 Washer
- 4 Stud

Engine

X4 Series (2014-) - RS52 - X4.70

RS52\00045614.png

A-05
26



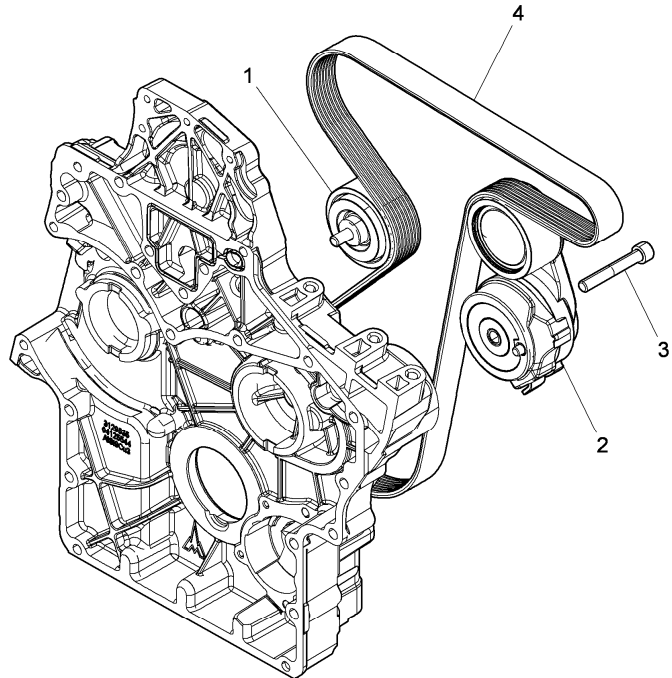
A0526

Fan-type pulley

- 1 6529687M1
- 2 6530043M1
- 3 6529929M1
- 4 6531777M1

Inglese

- 1 Guide
- 1 Tightener
- 1 Screw
- 1 Belt



<https://www.ebooklibonline.com>

Hello dear friend!

Thank you very much for reading.

Enter the link into your browser.

The full manual is available for immediate download.

<https://www.ebooklibonline.com>