

Engine

X4 Series (2014- ) - RS52 - X4.50

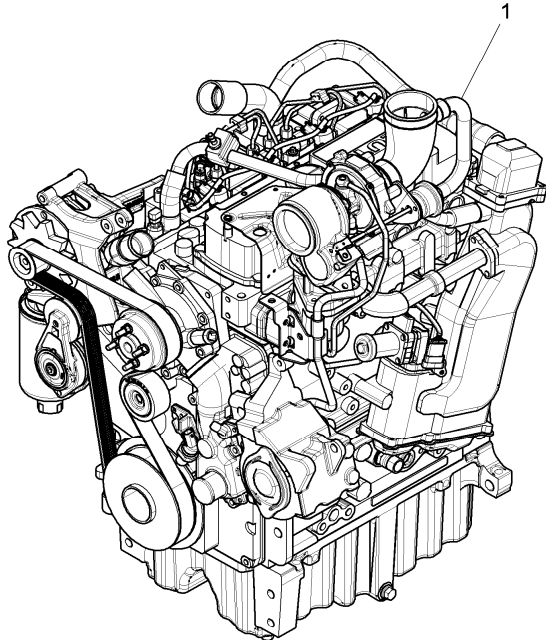
RS52\00044995.png

A-05  
01



A0501

Engine assembly



		Inglese	
1	6515014M91	● 6515014M92(1)	1 Engine
		Deutz tcd 3.6 I4 - €	
1	6527756M91	Deutz tcd 3.6 I4 - €	1 Engine
		Pre-built	
1	6527757M91	Deutz tcd 3.6 I4 - €	1 Engine
		A	
●	Replacement		
A	Flexibility engine		

Engine

X4 Series (2014- ) - RS52 - X4.50

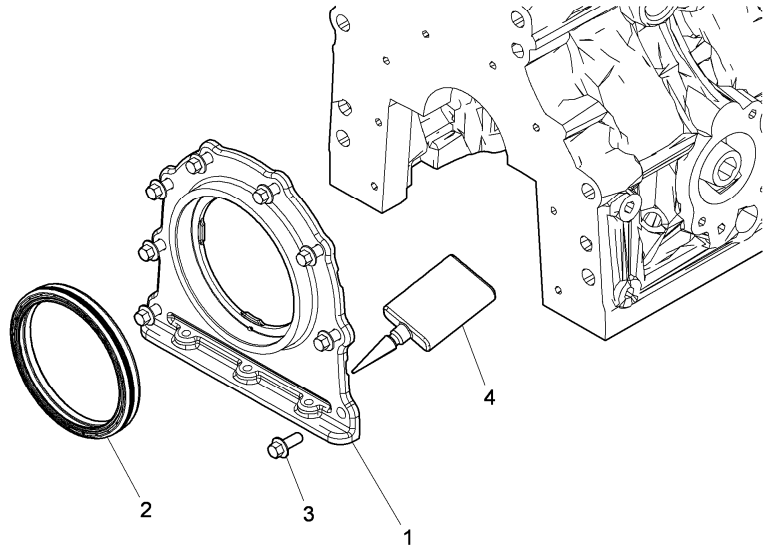
RS52\00045562.png

A-05  
02



A0502

Crankcase covers



- 1 6529942M1 A
- 1 6530021M1 A
- 2 6529718M1 A
- 2 6529905M1 A
- 3 6529664M1
- 4 6529667M1
- A Please contact spare parts dept.

Inglese

- 1 Cover
- 1 Cover
- 1 Ring
- 1 Gasket
- 8 Bolt
- 999 Sealer

Engine

X4 Series (2014- ) - RS52 - X4.50

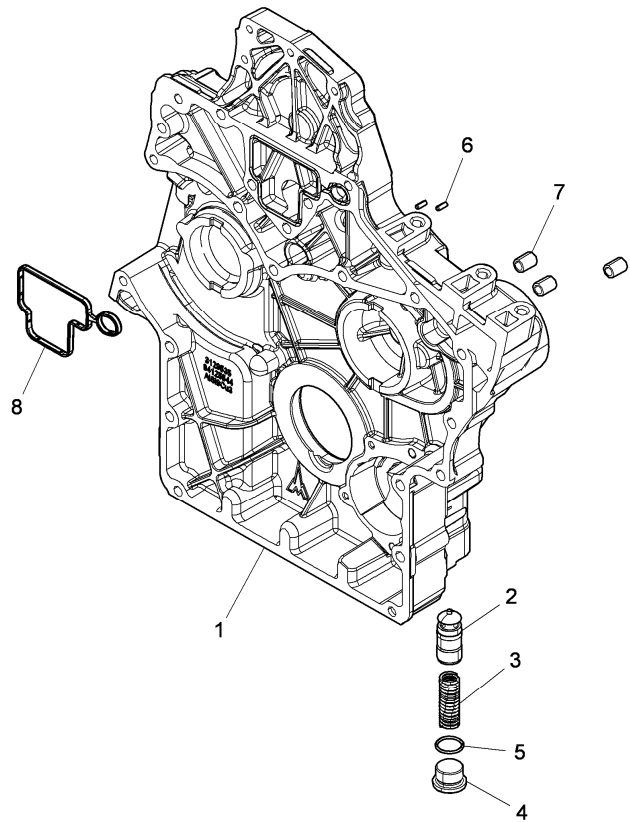
RS52\00045608.png

A-05  
03



A0503

Crankcase covers



- 1 6529969M91
- 2 6530065M1
- 3 6530066M1
- 4 6529722M1
- 5 6529723M1
- 6 6529755M1
- 7 6529923M1
- 8 6529713M1

Inglese

- 1 Crankcase
- 1 Stem
- 1 Spring
- 1 Base plate
- 1 Ring
- 2 Dowel
- 3 Dowel
- 1 Gasket

**<https://www.ebooklibonline.com>**

Hello dear friend!

Thank you very much for reading.

Enter the link into your browser.

The full manual is available for immediate download.

**<https://www.ebooklibonline.com>**

Engine

X4 Series (2014- ) - RS52 - X4.50

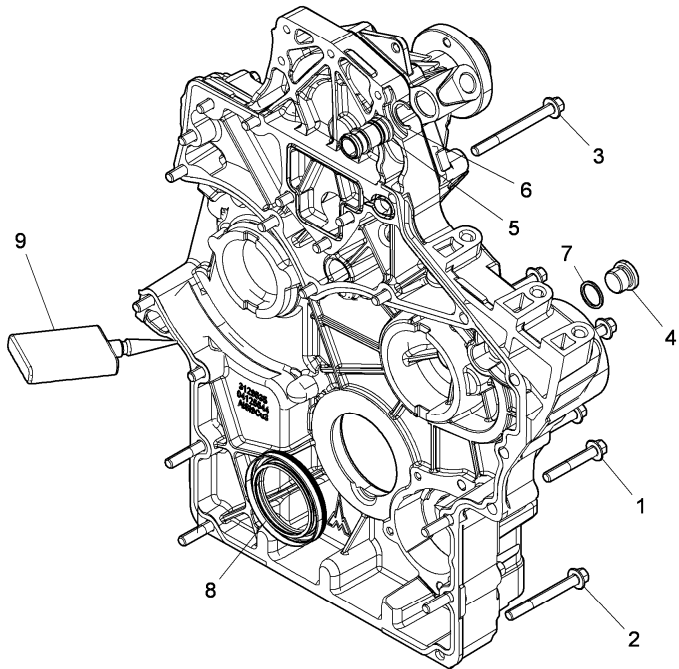
RS52\00045600.png

A-05  
04



A0504

Crankcase covers



- 1 6529704M1
- 2 6529686M1
- 3 6529680M1
- 4 6529926M1
- 5 6530040M1
- 6 6529735M1
- 7 6529749M1
- 8 6529947M1
- 9 6529667M1

Inglese

- 10 Bolt
- 7 Bolt
- 5 Bolt
- 1 Plug
- 1 Connection
- 1 Half ring
- 1 Ring
- 1 Gasket
- 999 Sealer

Engine

X4 Series (2014- ) - RS52 - X4.50

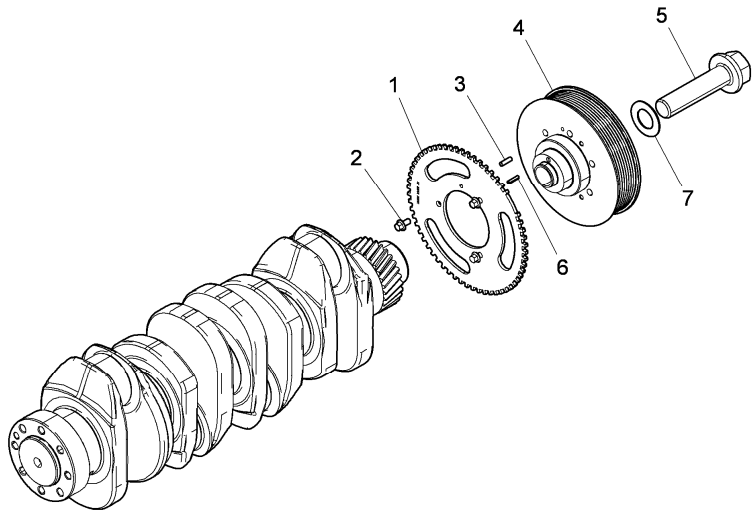
RS52\00045601.png

A-05  
05



A0505

Pulley camshaft



- 1 6530007M1
- 2 6529665M1
- 3 6529909M1
- 4 6530003M1
- 5 6529961M1
- 6 6529757M1
- 7 6529727M1

Inglese

- 1 Disc
- 3 Bolt
- 1 Dowel
- 1 Pulley
- 1 Bolt
- 1 Dowel
- 1 Washer

Engine

X4 Series (2014- ) - RS52 - X4.50

RS52\00045620.png

A-05  
06

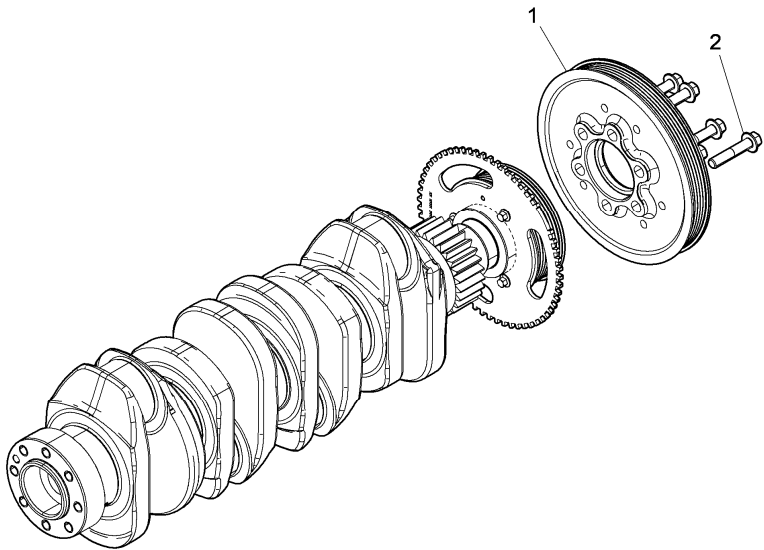


A0506

Drive pulley

- 1 6529968M1
- 2 6529693M1

- Inglese
- 1 Pulley
  - 6 Bolt



Engine

X4 Series (2014- ) - RS52 - X4.50

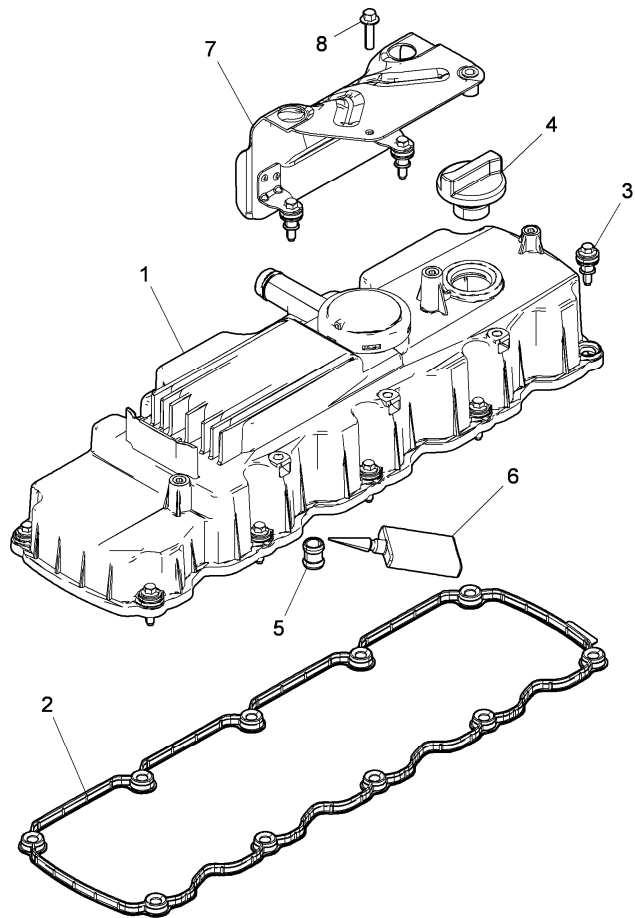
RS52\00045565.png

A-05  
07



A0507

Cylinder head cover



- 1 6530057M1
- 2 6530025M1
- 3 6530035M1
- 4 6529690M1
- 5 6529995M1
- 6 6529904M91
- 7 6530016M1
- 8 6529930M1

Inglese

- 1 Cover
- 1 Gasket
- 10 Screw
- 1 Plug
- 1 Plug
- 999 Sealer
- 1 Guard
- 1 Bolt

Engine

X4 Series (2014- ) - RS52 - X4.50

RS52\00045558.png

A-05  
08



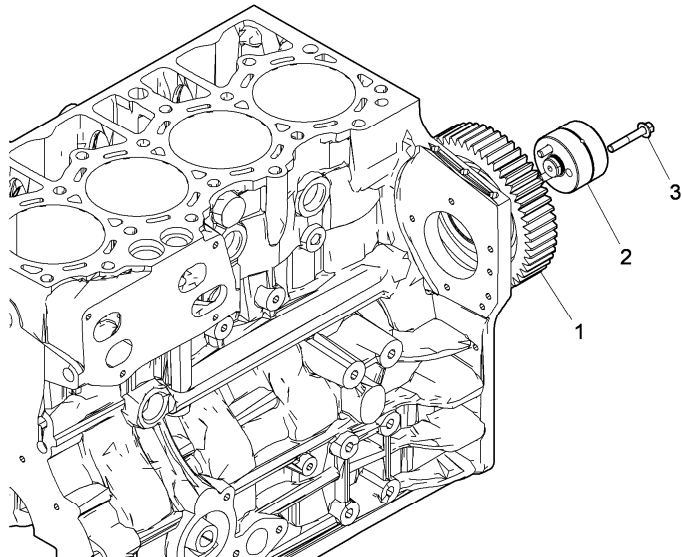
A0508

Timing gear and camshaft

Inglese

- 1 6530018M1
- 2 6530010M91
- 3 6529669M1

- 1 Gear
- 1 Shaft
- 3 Bolt



Engine

X4 Series (2014- ) - RS52 - X4.50

RS52\00045575.png

A-05  
09



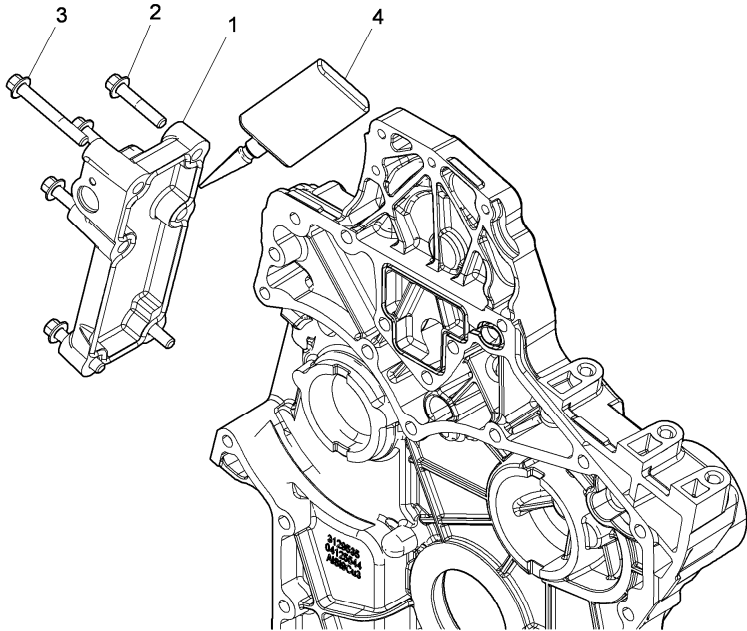
A0509

Cover timing gear

- 1 6530046M1
- 2 6529702M1
- 3 6529707M1
- 4 6529667M1

Inglese

- 1 Cover
- 4 Bolt
- 2 Bolt
- 999 Sealer



Engine

X4 Series (2014- ) - RS52 - X4.50

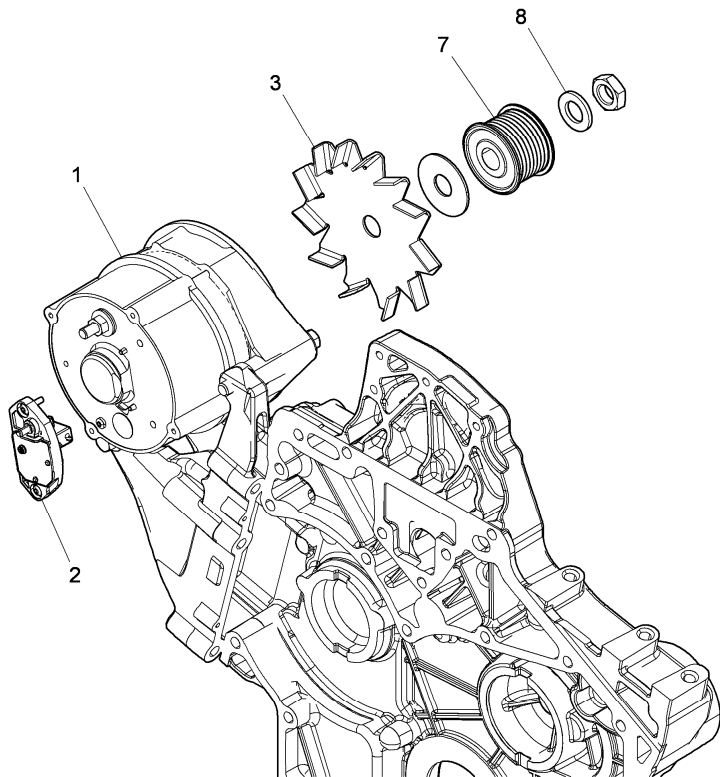
RS52\00045572.png

A-05  
10



A0510

Alternator



- 1 6530064M91
- 2 6530019M91 ! 1
- 3 6529706M91 ! 1
- 7 6530005M1
- 8 6529741M91 ! 1

! This is a component of an assembly

Inglese

- 1 Alternator
- 1 Adjuster
- 1 Ventilator
- 1 Pulley
- 1 Kit

Engine

X4 Series (2014- ) - RS52 - X4.50

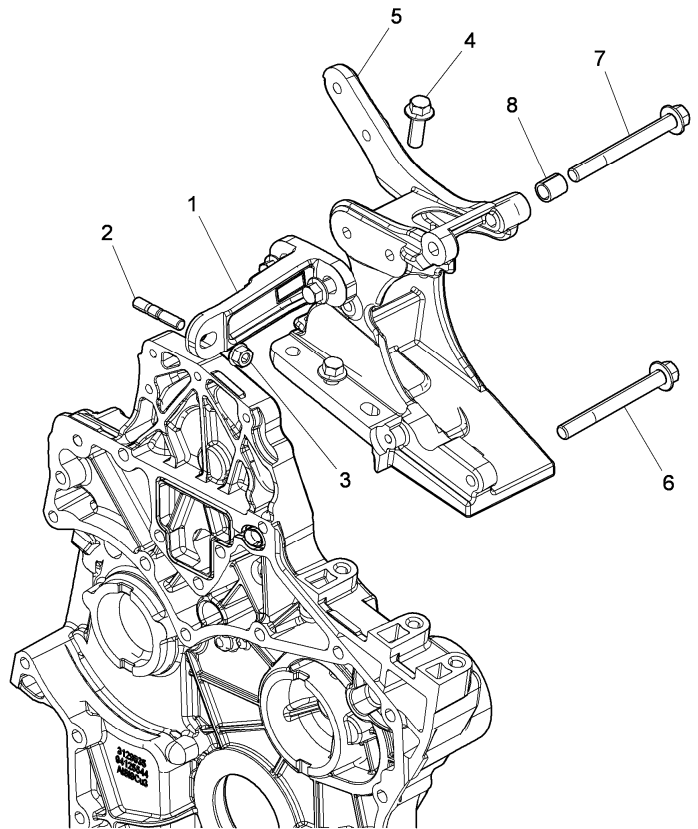
RS52\00045596.png

A-05  
11



A0511

Support



- 1 6530062M1
- 2 6529677M1
- 3 6529670M1
- 4 6529935M1
- 5 6529960M1
- 6 6529907M1
- 7 6529928M1
- 8 6530011M1

Inglese

- 1 Support
- 1 Screw
- 1 Nut
- 4 Bolt
- 1 Stirrup
- 1 Bolt
- 1 Bolt
- 1 Sleeve

Engine

X4 Series (2014- ) - RS52 - X4.50

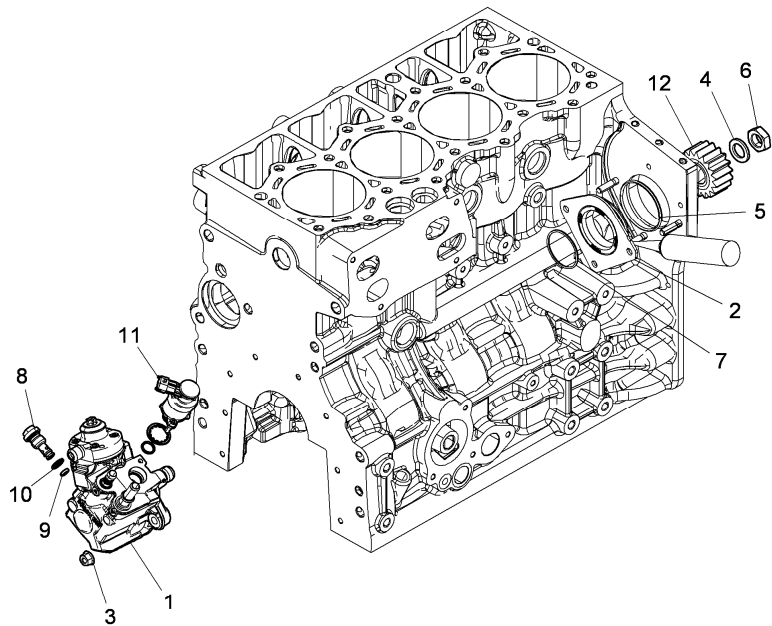
A-05  
12



A0512

Fuel injection equipment

RS52\00045561.png



- 1 6530026M91
- 2 6530028M1
- 3 6529670M1
- 4 6530044M1
- 5 6529984M1
- 6 6529761M1
- 7 6529958M1
- 8 6529715M1
- 9 6529726M1
- 10 6529717M1
- 11 6529710M91
- 12 6530027M1

Inglese

- 1 Pump
- 1 Spacer
- 3 Nut
- 1 Washer
- 1 Ring
- 1 Nut
- 1 Ring
- 1 Valve
- 1 Ring
- 1 Ring
- 1 Adjuster
- 1 Gear

Engine

X4 Series (2014- ) - RS52 - X4.50

RS52\00045560.png

A-05  
13

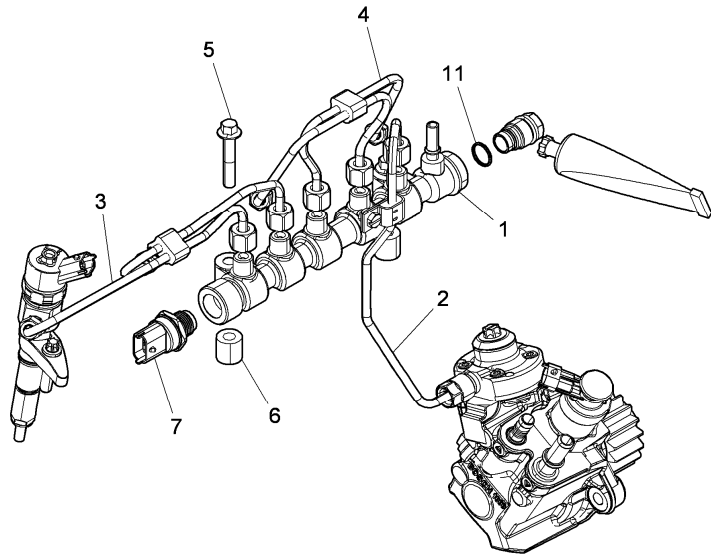


A0513

Fuel injection equipment

Inglese

- |    |            |   |          |
|----|------------|---|----------|
| 1  | 6530039M1  | 1 | Manicott |
| 2  | 6530038M1  | 1 | Pipe     |
| 3  | 6530034M1  | 1 | Pipe     |
| 4  | 6530053M1  | 1 | Pipe     |
| 5  | 6529669M1  | 2 | Bolt     |
| 6  | 6530050M1  | 2 | Spacer   |
| 7  | 6529993M91 | 1 | Kit      |
| 11 | 6529975M1  | 1 | Ring     |



Engine

X4 Series (2014- ) - RS52 - X4.50

RS52\00045559.png

A-05  
14

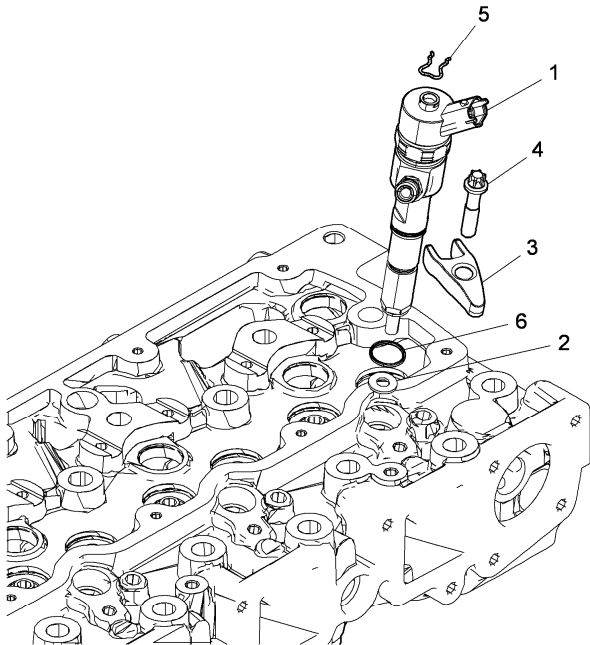


A0514

Fuel injection equipment

Inglese

- |   |           |   |          |
|---|-----------|---|----------|
| 1 | 6530033M1 | 4 | Nozzle   |
| 2 | 6529739M1 | 4 | Washer   |
| 3 | 6529953M1 | 4 | Skate    |
| 4 | 6530023M1 | 4 | Screw    |
| 5 | 6529939M1 | 4 | Retainer |
| 6 | 6530020M1 | 4 | Ring     |



Engine

X4 Series (2014- ) - RS52 - X4.50

RS52\00045569.png

A-05  
15



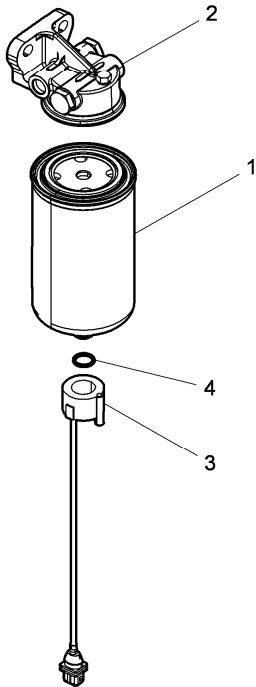
A0515

Pre filter

- 1 6529570M1
- 2 6530029M1
- 3 6529973M1
- 4 6529974M1

Inglese

- 1 Filter
- 1 Head
- 1 Cable
- 1 Ring



Engine

X4 Series (2014- ) - RS52 - X4.50

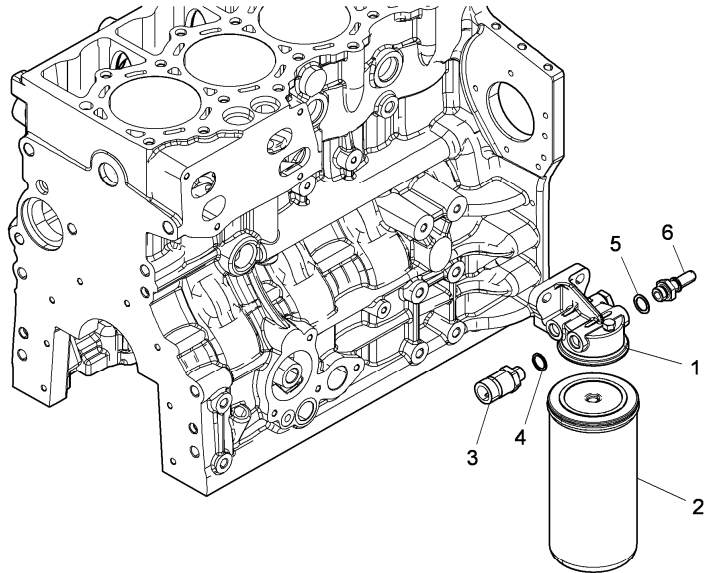
RS52\00045606.png

A-05  
16



A0516

Fuel filter



- 1 6530004M1
- 2 6529571M1
- 3 6529681M1 A
- 4 6529676M1
- 5 6529919M1
- 6 6529983M1
- A Fuel pressure

Inglese

- 1 Head
- 1 Filter
- 1 Sensor
- 1 Ring
- 1 Ring
- 1 Plug

Engine

X4 Series (2014- ) - RS52 - X4.50

RS52\00045624.png

**A-05**  
**17**



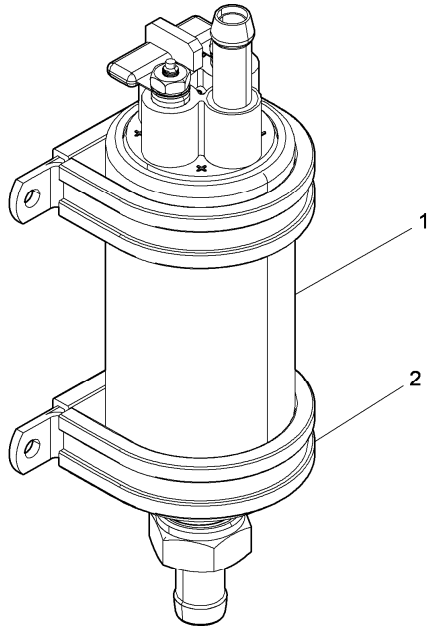
A0517

Gas pump

- 1 6530059M91
- 2 6529912M1

**Inglese**

- 1 Pump
- 2 Collar



Engine

X4 Series (2014- ) - RS52 - X4.50

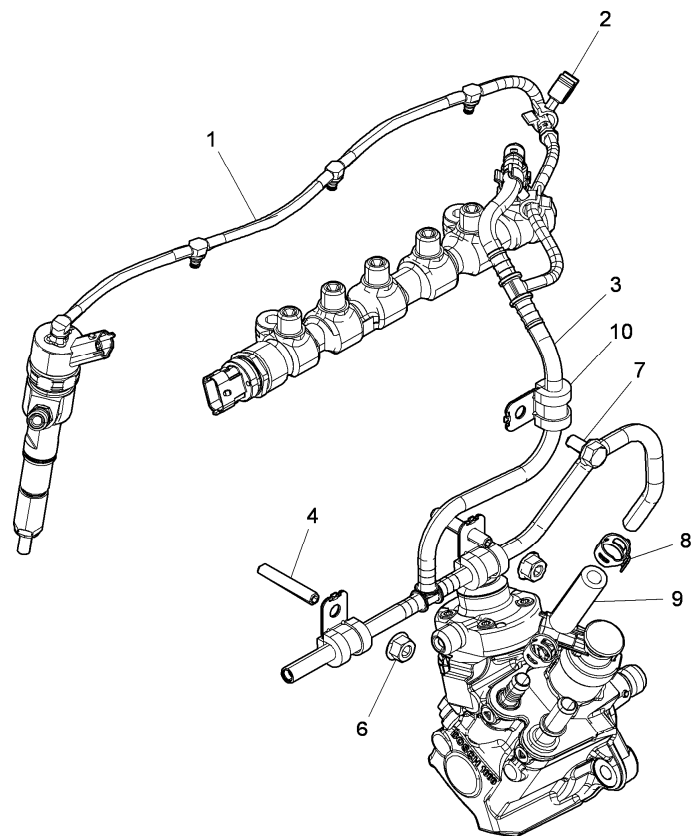
A-05  
18



A0518

Fuel lines

RS52\00045574.png



- 1 6529957M1
- 2 6530037M1
- 3 6529955M1
- 4 6529677M1
- 6 6529670M1
- 7 6529937M1
- 8 6529915M1
- 9 6529731M1
- 10 6529699M1

Inglese

- 1 Pipe
- 2 Support
- 1 Duct
- 2 Screw
- 2 Nut
- 1 Bolt
- 2 Clamp
- 1 Pipe
- 3 Clamp

Engine

X4 Series (2014- ) - RS52 - X4.50

RS52\00045595.png

**A-05  
19**



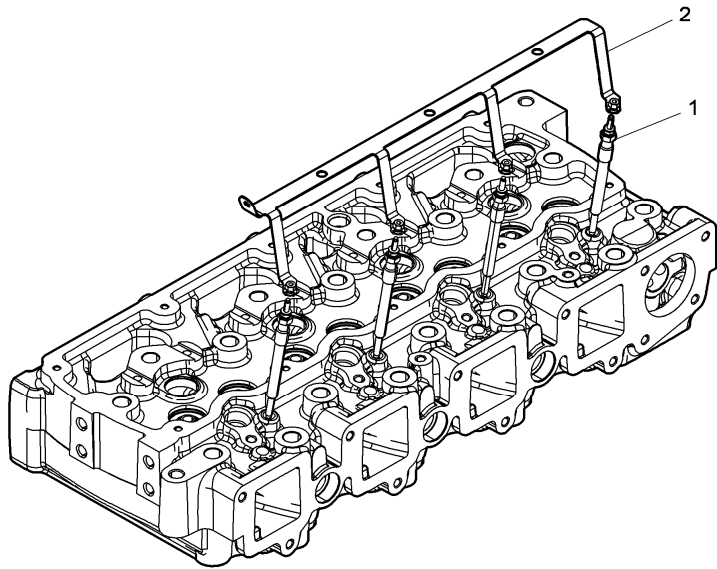
A0519

Glow plug

**Inglese**

- 1 6529736M1
- 2 6530051M1

- 4 Spark plug
- 1 Bar



Engine

X4 Series (2014- ) - RS52 - X4.50

A-05  
20



A0520

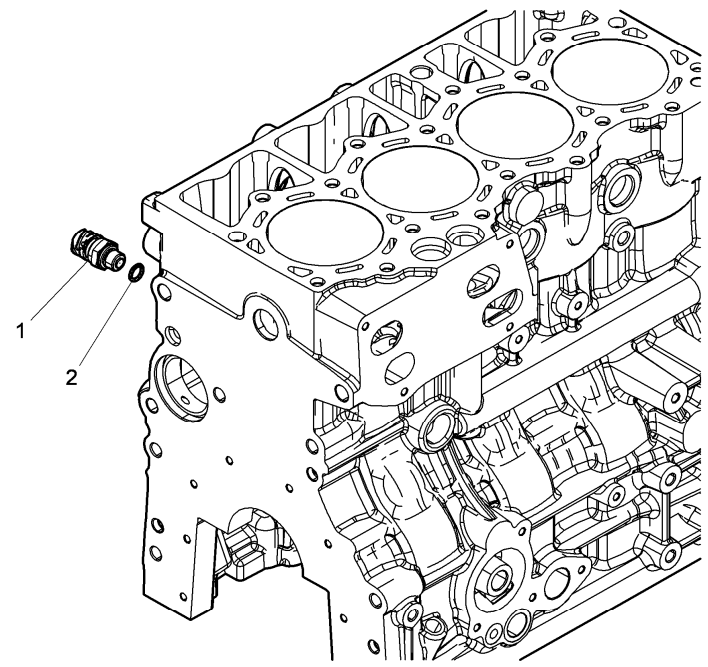
Sensors

RS52\00045570.png

Inglese

- 1 6529681M1 A
- 2 6529676M1
- A Pressure

- 1 Sensor
- 1 Ring



Engine

X4 Series (2014- ) - RS52 - X4.50

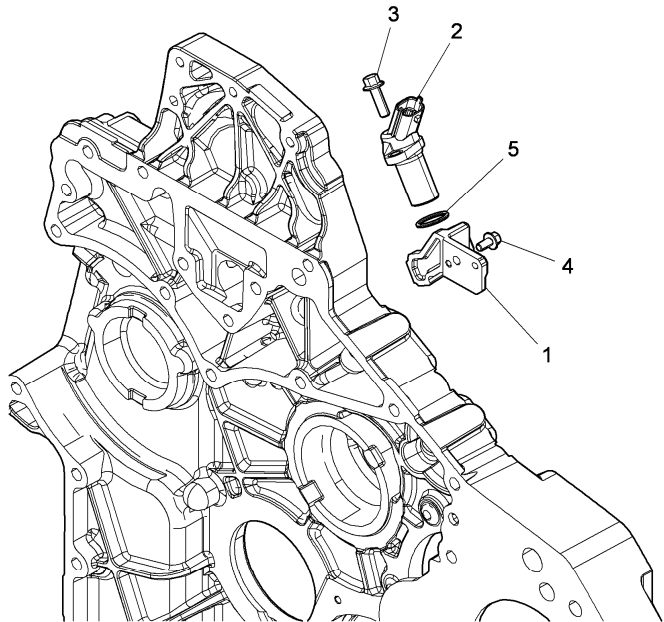
RS52\00045563.png

A-05  
21



A0521

Sensors



- 1 6530008M1
- 2 6529675M1 A
- 3 6529685M1 B
- 3 6529698M1 B
- 4 6529920M1
- 5 6529691M1

Inglese

- 1 Stirrup
- 1 Sensor
- 1 Bolt
- 1 Bolt
- 1 Bolt
- 1 Ring

- A Speed
- B Please contact spare parts dept.

Engine

X4 Series (2014- ) - RS52 - X4.50

RS52\00045564.png

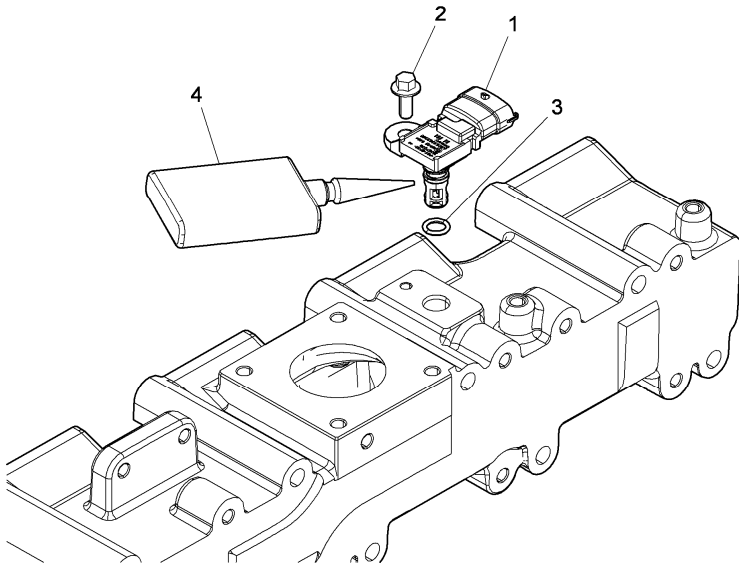
A-05  
22



A0522

Sensors

- |   |            |   | Inglese    |
|---|------------|---|------------|
| 1 | 6529994M1  | A | 1 Sensor   |
| 2 | 6529665M1  |   | 1 Bolt     |
| 3 | 6529697M1  |   | 1 Ring     |
| 4 | 6529673M91 |   | 999 Sealer |
| A | Pressure   |   |            |



Engine

X4 Series (2014- ) - RS52 - X4.50

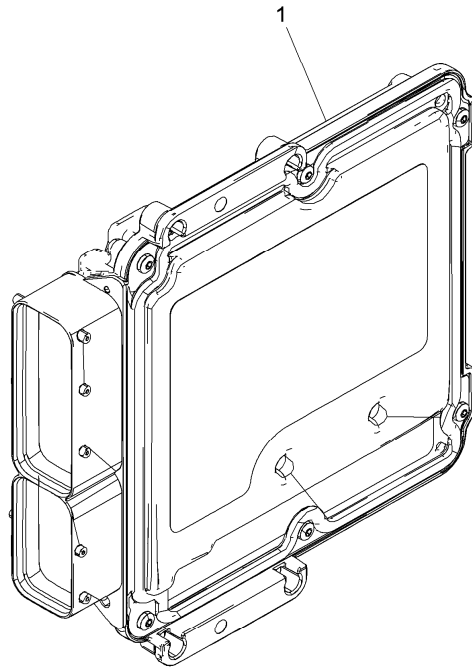
RS52\00045556.png

A-05  
23



A0523

Electronic control unit



- 1 6529742M91 ● N.L.S.(1)  
A
- 1 6529948M91 ● N.L.S.(1)  
A

- Replacement
- A Please contact spare parts dept.

Inglese

- 1 Centralizer
- 1 Centralizer

Engine

X4 Series (2014- ) - RS52 - X4.50

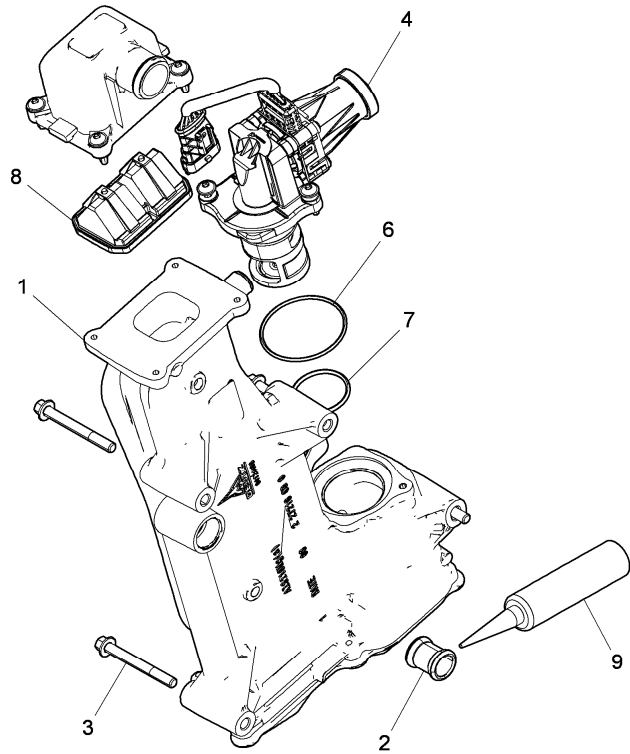
RS52\00045579.png

A-05  
24



A0524

Engine control module



- 1 6530063M91
- 2 6529945M1
- 3 6529686M1
- 4 6529938M1
- 6 6529712M1
- 7 6529711M1
- 8 6529959M1
- 9 6529673M91

Inglese

- 1 Centralizer
- 1 Plug
- 4 Bolt
- 1 Valve
- 1 Ring
- 1 Ring
- 1 Valve
- 999 Sealer



**Suggest:**

**For more complete manuals. Please go to the home page.**

**<https://www.ebooklibonline.com>**

**If the above button click is invalid. Please download this document first, and then click the above link to download the complete manual.**

**Thank you so much for reading**

Engine

X4 Series (2014- ) - RS52 - X4.50

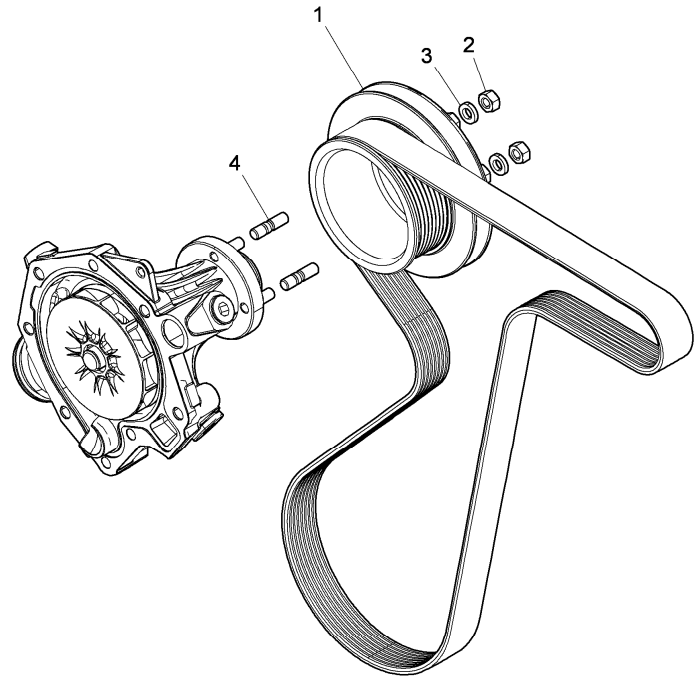
RS52\00045615.png

A-05  
25



A0525

Fan-type pulley



- 1 6530009M1
- 2 6529933M1
- 3 6529744M1
- 4 6529908M1

Inglese

- 1 Pulley
- 4 Nut
- 4 Washer
- 4 Stud

Engine

X4 Series (2014- ) - RS52 - X4.50

RS52\00045614.png

A-05  
26



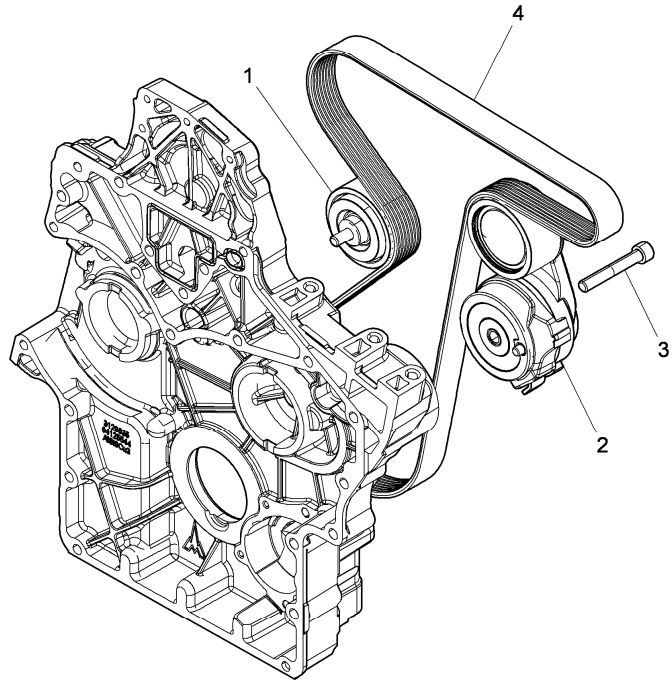
A0526

Fan-type pulley

- 1 6529687M1
- 2 6530043M1
- 3 6529929M1
- 4 6531777M1

Inglese

- 1 Guide
- 1 Tightener
- 1 Screw
- 1 Belt



**<https://www.ebooklibonline.com>**

Hello dear friend!

Thank you very much for reading.

Enter the link into your browser.

The full manual is available for immediate download.

**<https://www.ebooklibonline.com>**