

Engine

V/F-N Series Restyling (2010-) - RP05 - V90

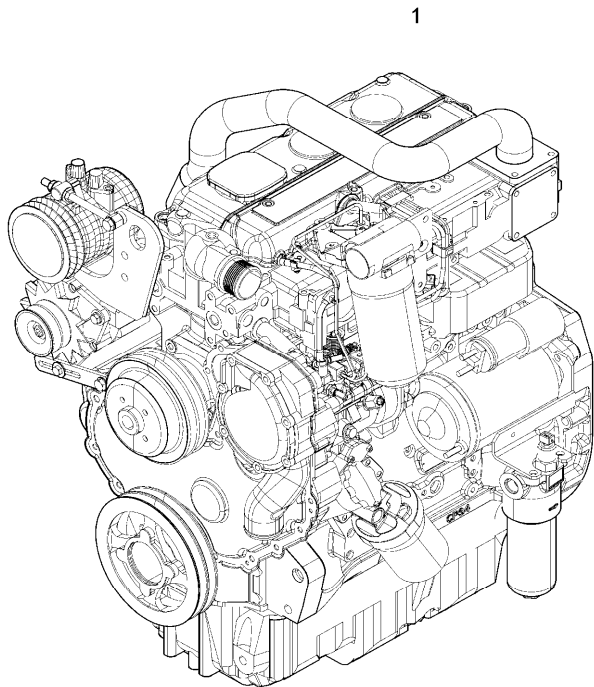
RP05\00005170.png

A-05
01



A0501

Engine assembly



| | | Inglese | |
|---|---------------------|------------------------------------|----------|
| 1 | 3695281M91 | "perkins - nl38972 60kw | 1 Engine |
| | A | | |
| 1 | 6510957M91 | "perkins - nl51687 60 kw | 1 Engine |
| | B | | |
| 1 | 6512311M91 | "perkins - nl70714' 60 kw | 1 Engine |
| | C | | |
| | D | | |
| 1 | 6527933M91 | "perkins - nl82741' 60 kw "atr" | 1 Engine |
| A | Tier 3 | | |
| B | Tier 3b | | |
| C | Flexibility engine | | |
| D | For market "n.a.o." | | |

Engine

V/F-N Series Restyling (2010-) - RP05 - V90

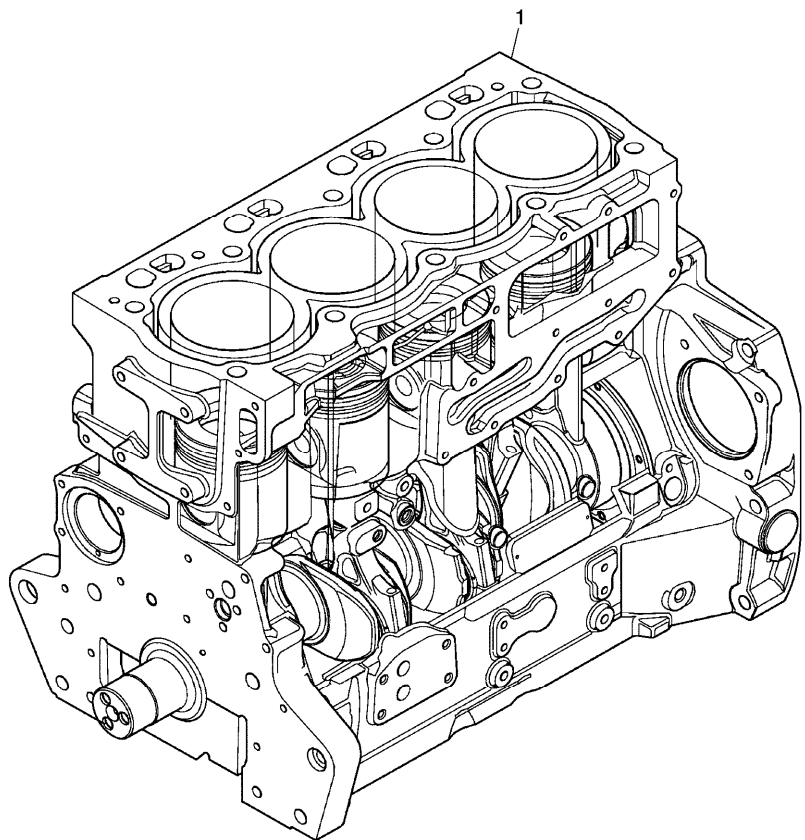
RP05\000015070.png

A-05
02



A0502

Short engine



- | | | | | | |
|---|---------|--|----------------------------------|---|--------------|
| 1 | NM40008 | | U056074 t | 1 | Short engine |
| | | | 3115A141(1), 32186146(3), NM4 | | |
| 1 | NM40019 | | U056075 t | 1 | Short engine |

- From serial or engine number
- Up to serial or engine number
- Replacement

Inglese

Engine

V/F-N Series Restyling (2010-) - RP05 - V90

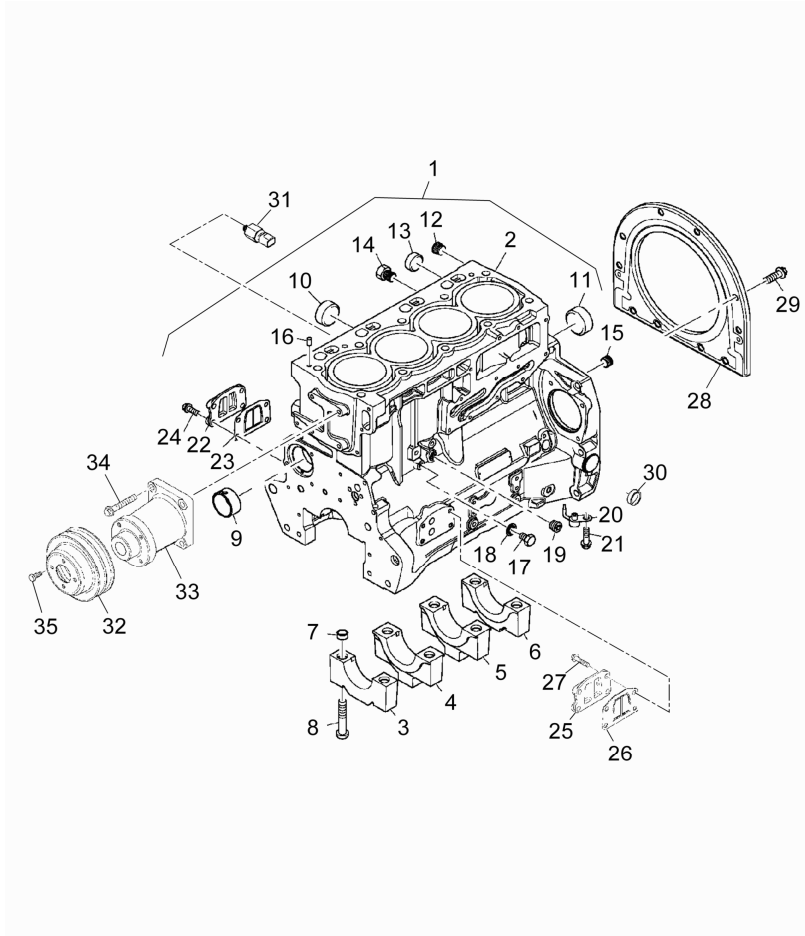
RP05\00009595.png

A-05
03



A0503

Cylinder block



| | | Inglese |
|----|----------|----------------------|
| 1 | ZZ50321 | ● ZZ50325(1) 1 Block |
| 2 | | ! 1 1 Block |
| 3 | | ➡ Ref.n.1 1 Cap |
| 4 | | ! 1 2 Cap |
| 5 | | ➡ Ref.n.1 1 Cap |
| 6 | | ! 1 1 Cap |
| 7 | 33142111 | ! 1 10 Manicott |
| 8 | 32166329 | ! 1 10 Screw |
| 9 | 3112D071 | ! 1 1 Bush |
| 10 | 3241A011 | ● 3112D075(1) 2 Plug |
| 11 | 3241A012 | ! 1 1 Plug |
| 12 | 0650588 | ! 1 1 Plug |
| 13 | 0650710 | ! 1 1 Plug |
| 14 | 32141316 | ! 1 1 Plug |
| 15 | 3212P008 | ! 1 1 Plug |
| 16 | 3244A009 | ! 1 2 Dowel |
| 17 | 2314C049 | ! 1 1 Screw |
| 18 | 2415D053 | ! 1 1 Washer |
| 19 | 0650594 | ! 1 1 Plug |

<https://www.ebooklibonline.com>

Hello dear friend!

Thank you very much for reading.

Enter the link into your browser.

The full manual is available for immediate download.

<https://www.ebooklibonline.com>

Engine

V/F-N Series Restyling (2010-) - RP05 - V90

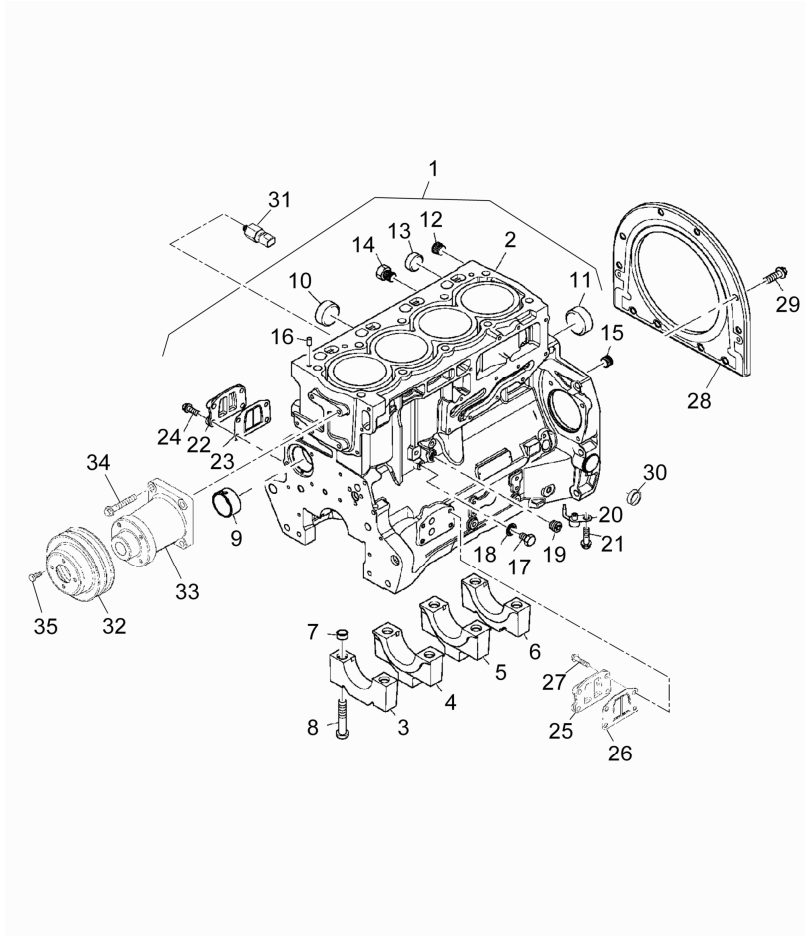
RP05\00009595.png

A-05
03



A0503

Cylinder block



| | | | | Inglese |
|-----|----------|-----|--------|--|
| 20 | 2113A003 | ! | 1 | 4 Atomiser |
| 21 | 2314F001 | ! | 1 | 4 Screw |
| 22 | 3753A071 | ! | 1 | 1 Coperch. |
| 23 | 3688A041 | ! | 1 | 1 Gasket |
| 24 | 2314H034 | ! | 1 | 4 Screw |
| 25 | 3753A071 | | | 1 Coperch. |
| 26 | 3688A041 | T-A | 0:50 | 1 Ring |
| 27 | 2314H034 | | | 4 Screw |
| 28 | 2418F704 | (X) | 0.1.4. | 1 Housing |
| | | T-A | 11:0 | |
| 29 | 3211C002 | | | 10 Screw |
| 30 | 2485A109 | | | 1 Plug |
| 31 | 2848A051 | A | | 1 Cutout |
| 32 | 3115C161 | | | 1 Pulley |
| 33 | 4113K005 | | | 1 Housing |
| 34 | 2314J005 | | | 4 Screw |
| 35 | 2314C044 | | | 4 Screw |
| ! | | | | This is a component of an assembly |
| 🔧 | | | | Not serviced, order |
| ● | | | | Replacement |
| (X) | | | | Qty per tractors sold (aa.bbb.ccc.ddd) (aa) for 1,(bbb) 2-10 (ccc) 11-25 (ddd) 26-50 |
| T-A | | | | Replacement |
| A | | | | Oil pressure |

Engine

V/F-N Series Restyling (2010-) - RP05 - V90

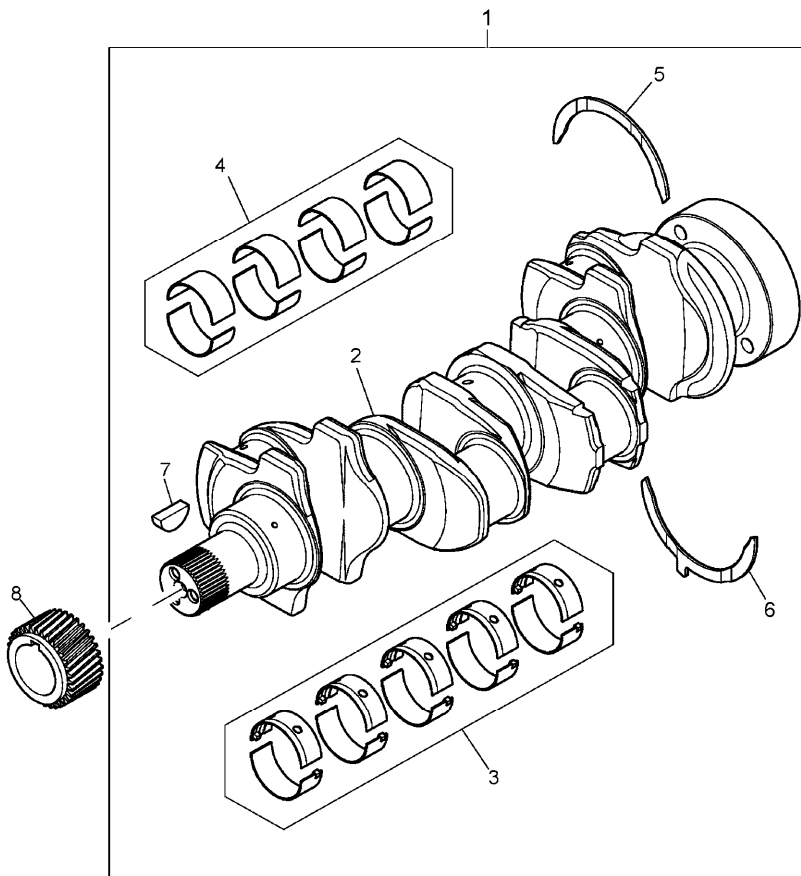
RP05\000015073.png

A-05
04



A0504

Camshaft



| | | Inglese | |
|---|-----------|---|---------|
| 1 | ZZ90222 | ➔ U056074 t ● ZZ90239(1) T-A 15:0 | 1 Kit |
| 1 | ZZ90237 | ➔ U056075 t | 1 Shaft |
| 2 | | ! 1 | 1 Shaft |
| | | ➔ Ref.n.1 | |
| 3 | U5MB0018 | ! 1 | 1 Kit |
| | | ➔ U056074 t ● U5MB0033(1) T-A 15:0 | |
| 3 | U5MB0018A | ! 1 | 1 Kit |
| | | ⚡ 0.010" ➔ U056074 t ● U5MB0033A(1) T-A 15:0 | |
| 3 | U5MB0018B | ! 1 | 1 Kit |
| | | ⚡ 0.020" ➔ U056074 t ● U5MB0033B(1) T-A 15:0 | |
| 3 | U5MB0018C | ! 1 | 1 Kit |
| | | ⚡ 0.030" ➔ U056074 t ● N.L.A.(1) T-A 15:0 | |

Engine

V/F-N Series Restyling (2010-) - RP05 - V90

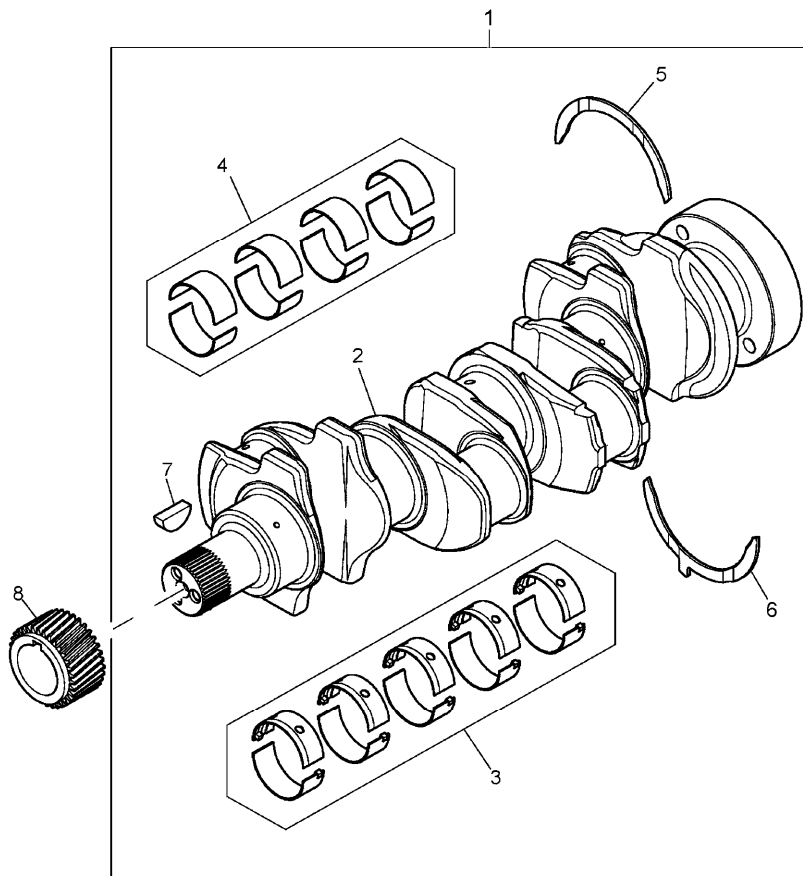
RP05\000015073.png

A-05
04



A0504

Camshaft



| | | Inglese | |
|---|-----------|----------------|-------|
| 3 | U5MB0033 | ! 1 | 1 Kit |
| | | ➔ U056075 t | |
| 3 | U5MB0033A | ! 1 | 1 Kit |
| | | ⊗ -0,25mm | |
| | | ➔ U056075 t | |
| 3 | U5MB0033B | ! 1 | 1 Kit |
| | | ⊗ -0,50mm | |
| | | ➔ U056075 t | |
| 3 | U5MB0033C | ! 1 | 1 Kit |
| | | ⊗ -0,75mm | |
| | | ➔ U056075 t | |
| | | ● N.L.A.(1) | |
| 4 | T400002 | ! 1 | 1 Kit |
| | | ➔ U056075 t | |
| | | ● T410927(1) | |
| 4 | U5ME0026 | ! 1 | 1 Kit |
| | | ➔ U056074 t | |
| | | ● U5ME0034(1) | |
| 4 | U5ME0026A | ! 1 | 1 Kit |
| | | ⊗ 0.25mm | |
| | | ➔ U056074 t | |
| | | ● U5ME0034A(1) | |
| 4 | U5ME0026B | ! 1 | 1 Kit |
| | | ⊗ 0.50mm | |
| | | ➔ U056074 t | |
| | | ● U5ME0034B(1) | |

Engine

V/F-N Series Restyling (2010-) - RP05 - V90

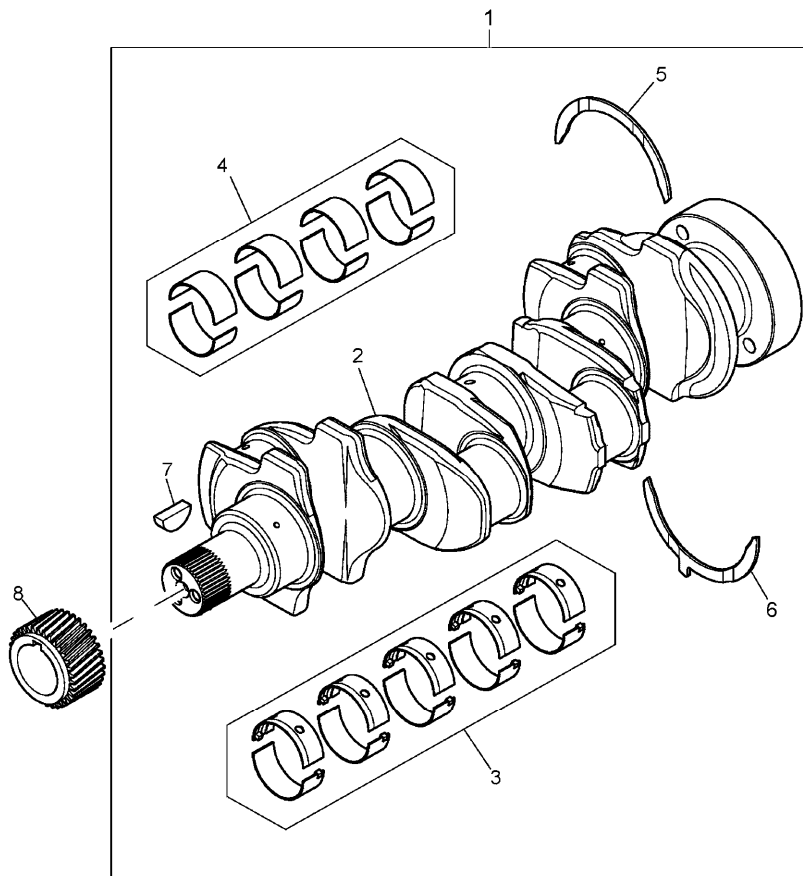
RP05\000015073.png

A-05
04



A0504

Camshaft



| | | Inglese | |
|--------------------------------------|-----------|----------------|----------|
| 4 | U5ME0026C | ! 1 | 1 Kit |
| | | ✂ 0.75mm | |
| | | ➔ U056074 t | |
| | | ● U5ME0034C(1) | |
| 5 | 31137312 | ! 1 | 2 Ring |
| | | ✂ 0.007" | |
| | | T-A 15:0 | |
| 5 | 31137551 | ! 1 | 2 Washer |
| | | T-A 15:0 | |
| 6 | 31137322 | ! 1 | 2 Ring |
| | | ✂ 0.007" | |
| | | T-A 15:0 | |
| 6 | 31137561 | ! 1 | 2 Washer |
| | | T-A 15:0 | |
| 7 | 0500012 | ! 1 | 1 Key |
| | | ➔ U056075 t | |
| | | T-A 10:0 | |
| 8 | 3117C221 | T-A 10:0 | 1 Gear |
| ! This is a component of an assembly | | | |
| ➔ From serial or engine number | | | |
| ➔ Up to serial or engine number | | | |
| ⊞ Not serviced, order | | | |
| ✂ Shim | | | |
| ● Replacement | | | |
| T-A Replacement | | | |

Engine

V/F-N Series Restyling (2010-) - RP05 - V90

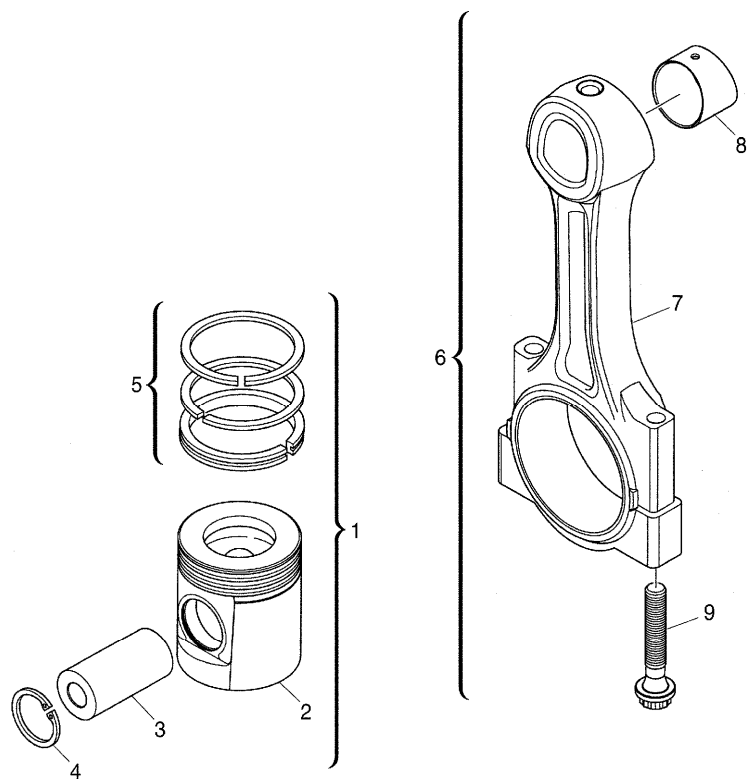
RP05\000020562.png

**A-05
05**



A0505

Pistons and connecting rods



| | | | Inglese |
|---|-----------|-------------|----------|
| 1 | U5PR0062 | Std | 4 Kit |
| 1 | U5PR0062B | +0,5 mm | 4 Kit |
| 2 | | ! 1 | 1 Piston |
| | | ➡ Ref.n.1 | |
| 3 | | ! 1 | 1 Bush |
| | | ➡ Ref.n.1 | |
| 4 | 2721332 | ! 1 | 2 Ring |
| 5 | UPRK0005 | ! 1 | 1 Kit |
| 6 | 4115C311 | ➡ U056074 t | 4 Kit |
| | | A | |
| | | T-A 14:0 | |
| 6 | 4115C312 | ➡ U056074 t | 4 Kit |
| | | B | |
| | | T-A 14:0 | |
| 6 | 4115C313 | ➡ U056074 t | 4 Kit |
| | | C | |
| | | T-A 14:0 | |
| 6 | 4115C314 | ➡ U056074 t | 4 Kit |
| | | D | |
| | | T-A 14:0 | |
| 6 | 4115C315 | ➡ U056074 t | 4 Kit |
| | | E | |
| | | T-A 14:0 | |
| 6 | 4115C316 | ➡ U056074 t | 4 Kit |
| | | F | |
| | | T-A 14:0 | |

Engine

V/F-N Series Restyling (2010-) - RP05 - V90

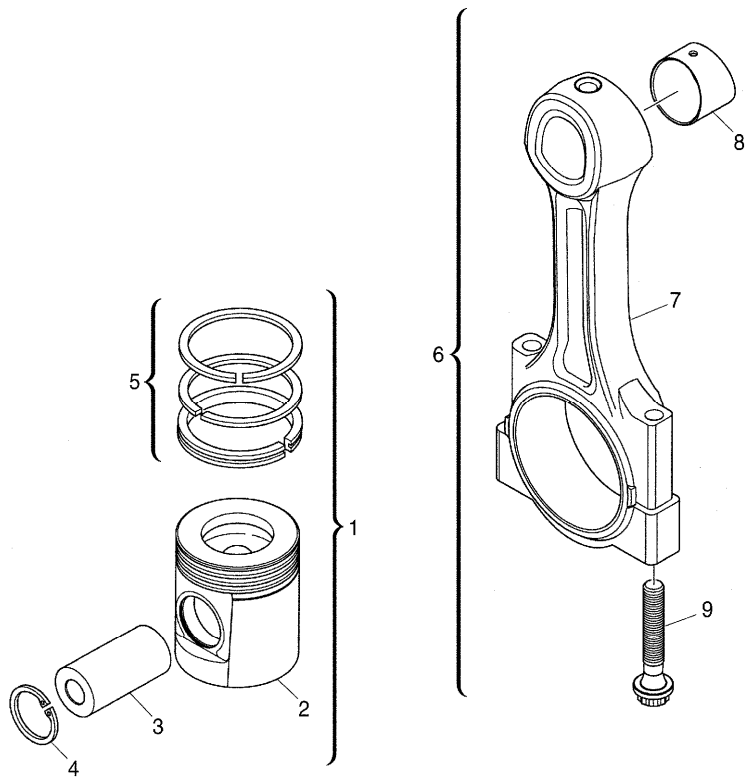
RP05\000020562.png

**A-05
05**



A0505

Pistons and connecting rods



| | | Inglese | | | |
|---|----------|---------|-----------|---|--------|
| 6 | 4115C361 | ➡ | U056075 t | 4 | Conrod |
| | | | A | | |
| 6 | 4115C362 | ➡ | U056075 t | 4 | Conrod |
| | | | B | | |
| 6 | 4115C363 | ➡ | U056075 t | 4 | Conrod |
| | | | C | | |
| 6 | 4115C364 | ➡ | U056075 t | 4 | Conrod |
| | | | D | | |
| 6 | 4115C365 | ➡ | U056075 t | 4 | Conrod |
| | | | E | | |
| 6 | 4115C366 | ➡ | U056075 t | 4 | Conrod |
| | | | F | | |
| 7 | | ! | 6 | 1 | Conrod |
| | | ➡ | Ref.n.6 | | |
| 8 | 3112A005 | ! | 6 | 1 | Bush |
| | | T-A | 14:0 | | |
| 9 | 3212V003 | ! | 6 | 2 | Screw |
| | | ➡ | U056074 t | | |
| 9 | T400001 | ! | 6 | 2 | Screw |
| | | ➡ | U056075 t | | |

- ! This is a component of an assembly
- ➡ From serial or engine number
- ➡ Up to serial or engine number
- ➡ Not serviced, order
- T-A Replacement
- A Red
- B Orange

Engine

V/F-N Series Restyling (2010-) - RP05 - V90

RP05\000020562.png

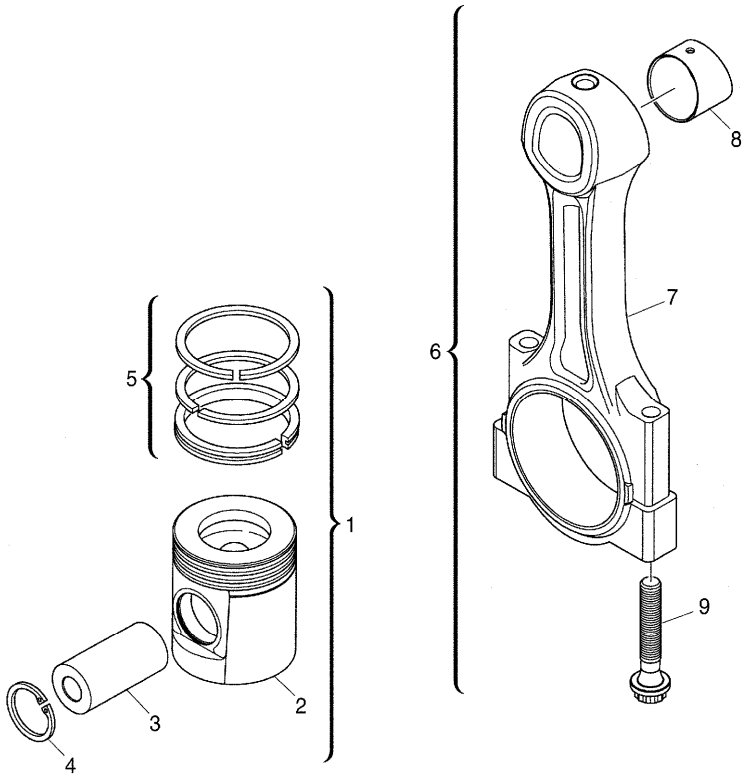
A-05
05



A0505

Pistons and connecting rods

- C White
- D Green
- E Purple
- F Blue



Engine

V/F-N Series Restyling (2010-) - RP05 - V90

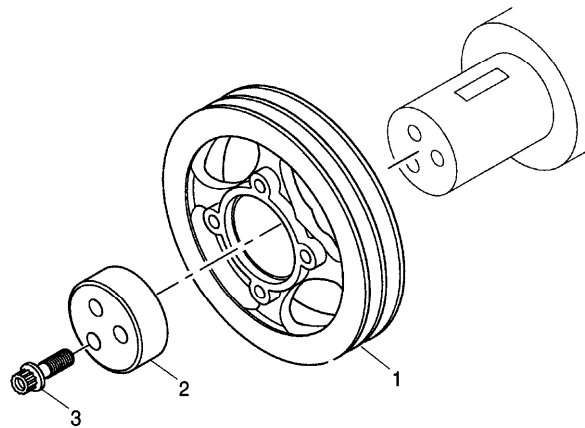
RP05\000014134.png

A-05
06



A0506

Front end drive input - auxiliary drive



- | | | | | | |
|---|----------|---|-----------|---|--------|
| 1 | 3115A141 | ➡ | U056075 t | 1 | Pulley |
| 1 | 3115T051 | ➡ | U056074 t | 1 | Pulley |
| | | | T-A 1:50 | | |
| 2 | 3241N001 | ➡ | U056074 t | 1 | Block |
| | | | T-A 1:50 | | |
| 3 | 32186137 | ➡ | U056074 t | 3 | Screw |
| 3 | 32186146 | ➡ | U056075 t | 3 | Bolt |
- ➡ From serial or engine number
➡ Up to serial or engine number
T-A Replacement

Inglese

Engine

V/F-N Series Restyling (2010-) - RP05 - V90

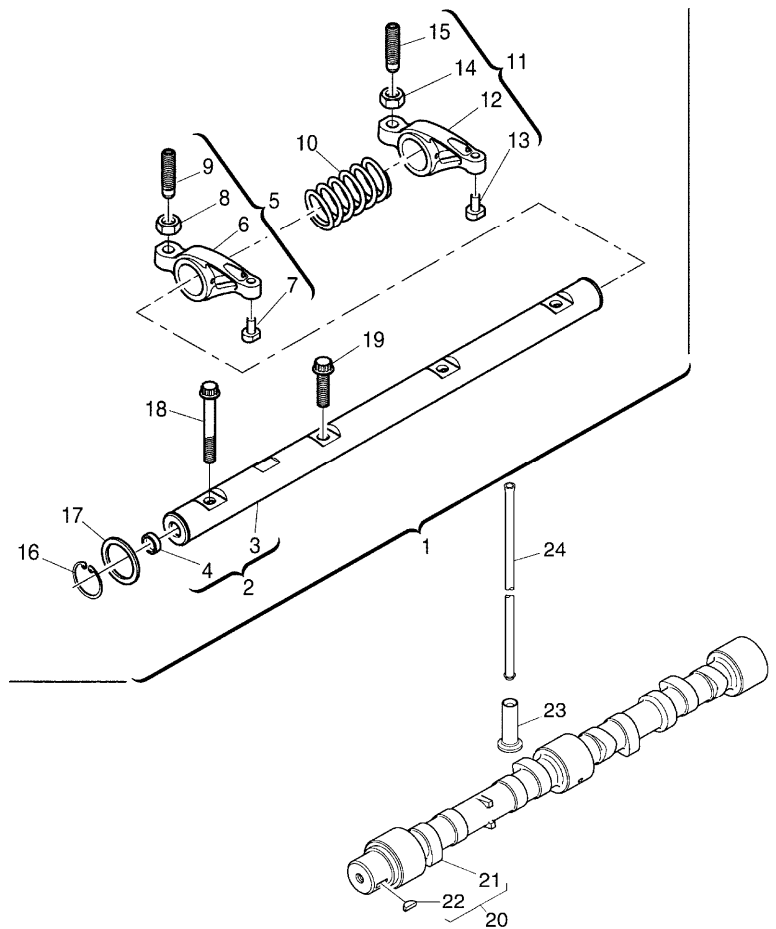
RP05\000015075.png

A-05
08



A0508

Rocker shaft



| | | Inglese | |
|----|----------|------------|----------|
| 1 | 4115R613 | | 1 Axle |
| 2 | 4115R703 | ! 1 | 1 Shaft |
| | | T-A 4:0 | |
| 3 | | ! 2 | 1 Axle |
| | | ➡ Ref.n.2 | |
| 4 | 2485A104 | ! 2 | 2 Plug |
| 5 | 4115R319 | ! 1 | 4 Lever |
| 6 | | ! 5 | 1 Rocker |
| | | ➡ Ref.n.5 | |
| 7 | | ! 5 | 1 Pad |
| | | ➡ Ref.n.5 | |
| 8 | 3331A006 | ! 5 | 1 Nut |
| 9 | 3211C004 | ! 5 | 1 Screw |
| 10 | 3174A015 | ! 1 | 3 Spring |
| | | T-A 4:0 | |
| 11 | 4115R318 | ! 1 | 4 Lever |
| 12 | | ! 11 | 1 Rocker |
| | | ➡ Ref.n.11 | |
| 13 | | ! 11 | 1 Pad |
| | | ➡ Ref.n.11 | |
| 14 | 3331A006 | ! 11 | 1 Nut |
| 15 | 3211C004 | ! 11 | 1 Screw |
| 16 | 2722A022 | ! 1 | 2 Ring |
| 17 | 2134A502 | ! 1 | 2 Washer |
| 18 | 2316A901 | ! 1 | 1 Screw |

Engine

V/F-N Series Restyling (2010-) - RP05 - V90

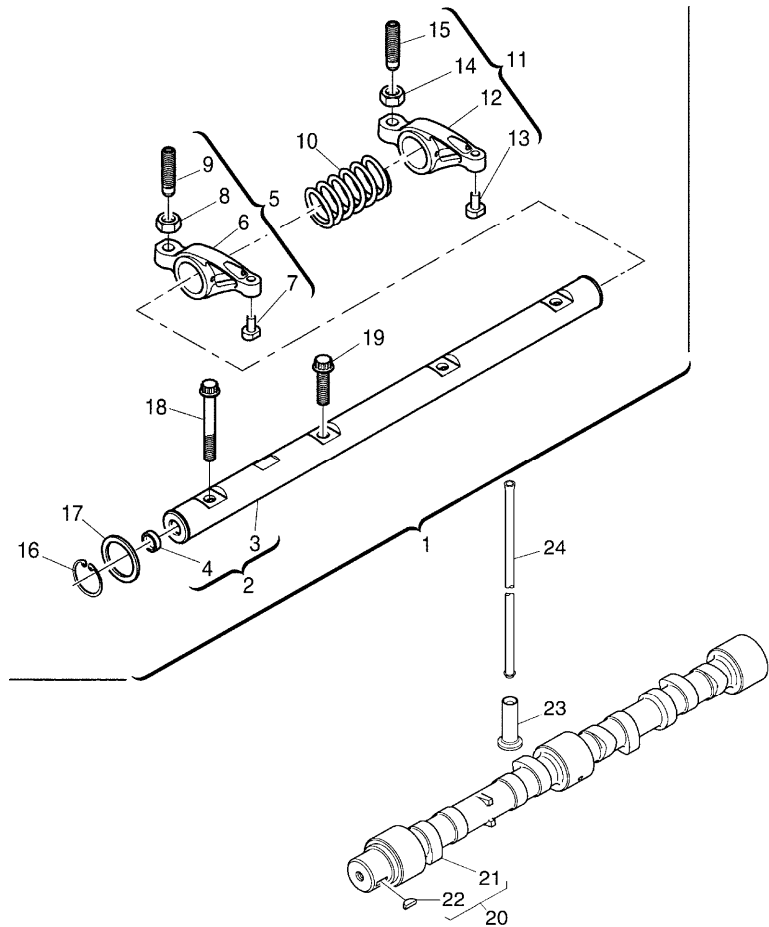
RP05\000015075.png

A-05
08



A0508

Rocker shaft



Inglese

| | | | | | |
|----|----------|---|-------------|---|--------|
| 19 | 2316A902 | ! | 1 | 3 | Screw |
| 20 | 4112K075 | ● | 4112K077(1) | 1 | Shaft |
| 21 | | ! | 20 | 1 | Shaft |
| | | ➡ | Ref.n.20 | | |
| 22 | 0500012 | ! | 20 | 1 | Key |
| 23 | 3142U061 | | | 8 | Tappet |
| 24 | 3142V011 | | | 8 | Rod |

- ! This is a component of an assembly
- ➡ Not serviced, order
- Replacement
- T-A Replacement

Engine

V/F-N Series Restyling (2010-) - RP05 - V90

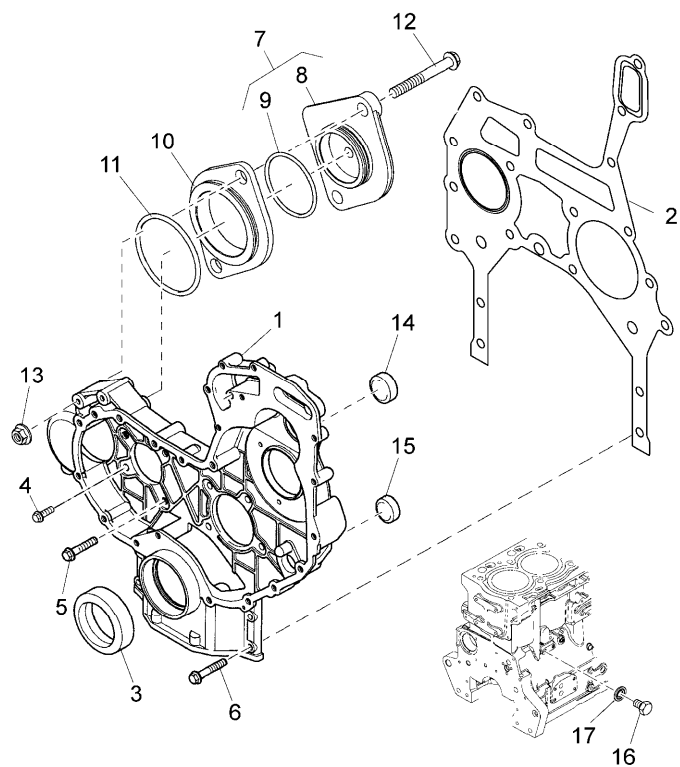
RP05\000015081.png

**A-05
09**



A0509

Gasket sets



| | | Inglese |
|-----|------------------------------------|-----------|
| 1 | 3716C581 | 1 Housing |
| 2 | 3681P053 | 1 Gasket |
| 3 | 2418F437 | 1 Seal |
| 4 | 2314H003 | 6 Screw |
| 5 | 2314H006 | 2 Screw |
| 6 | 2314H034 | 4 Screw |
| 7 | 4148K012 | 1 Plate |
| 8 | ! | 7 |
| | ➡ | Ref.n.7 |
| 9 | 2415H515 | 1 Ring |
| 10 | 3617a044 | 1 Disc |
| 11 | 2415H516 | 1 O ring |
| 12 | 2314J014 | 2 Screw |
| 13 | 2318A604 | 2 Nut |
| 14 | 2485A124 | 1 Plug |
| 15 | 2485A124 | 1 Plug |
| 16 | 2314C049 | 1 Screw |
| 17 | 2415D053 | 1 Washer |
| ! | This is a component of an assembly | |
| ➡ | Not serviced, order | |
| T-A | Replacement | |

Engine

V/F-N Series Restyling (2010-) - RP05 - V90

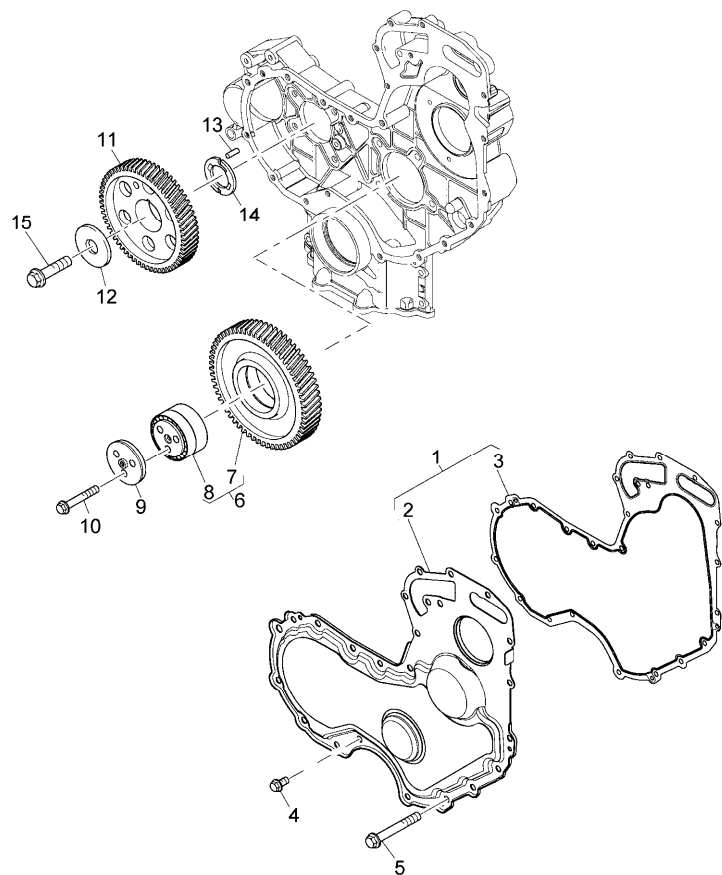
RP05\000015161.png

**A-05
10**



A0510

Cover timing gear



| | | Inglese |
|----|-----------|-----------|
| 1 | 4142A503 | 1 Kit |
| 2 | ! | 1 Cover |
| | ➡ Ref.n.1 | |
| 3 | 3681P046 | 1 Gasket |
| 4 | 2314H002 | 9 Screw |
| 5 | 2314H012 | 5 Screw |
| 6 | 4111A042 | 1 Gear |
| 7 | ! | 1 Gear |
| | ➡ Ref.n.6 | |
| 8 | ! | 1 Bearing |
| | ➡ Ref.n.6 | |
| 9 | 3321A012 | 1 Plate |
| 10 | 2314J012 | 3 Screw |
| 11 | 3117L272 | 1 Gear |
| 12 | 3321A003 | 1 Washer |
| 13 | 2116053 | 1 Pin |
| 14 | 3112X011 | 1 Washer |
| 15 | 2314J606 | 1 Screw |

- ! This is a component of an assembly
- ➡ Not serviced, order
- Replacement

Engine

V/F-N Series Restyling (2010-) - RP05 - V90

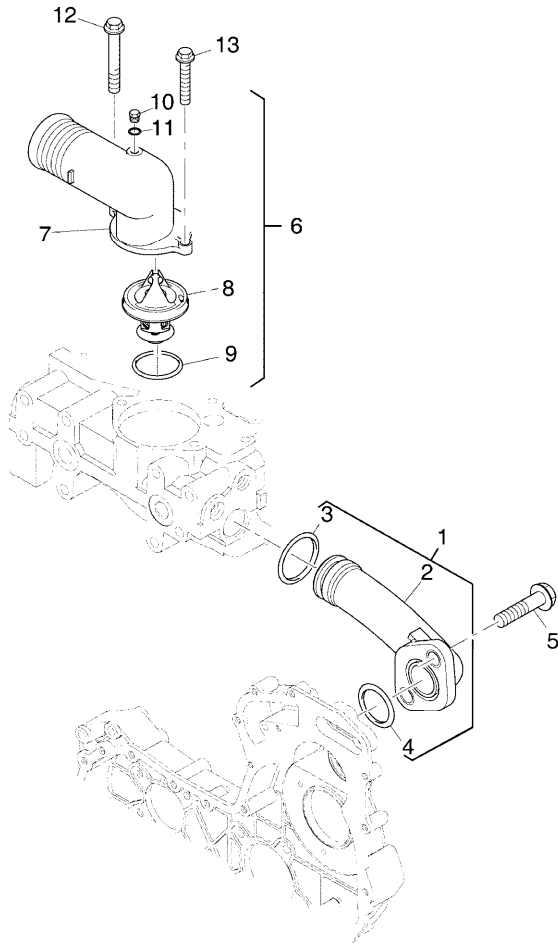
RP05\000015084.png

**A-05
11**



A0511

Water outlet and inlet



| | | Inglese | |
|-----|------------------------------------|---------|------------|
| 1 | 4133L048 T-A 0:75 | 1 | Connection |
| 2 | ! 1 | 1 | Connection |
| | ➡ Ref.n.1 | | |
| 3 | 2418F002 ! 1 | 1 | Ring |
| | T-A 0:75 | | |
| 4 | 2418F001 ! 1 | 1 | Ring |
| | T-A 0:75 | | |
| 5 | 2314H003 | 2 | Screw |
| 6 | 4133L508 | 1 | Connection |
| 7 | ! 6 | 1 | Connection |
| | ➡ Ref.n.6 | | |
| 8 | ! 6 | 1 | Thermostat |
| | ➡ Ref.n.6 | | |
| 9 | 2415H219 ! 6 | 1 | Ring |
| 10 | 29990015 ! 6 | 1 | Plug |
| 11 | 29990016 ! 6 | 1 | Ring |
| 12 | 2314H012 | 1 | Screw |
| 13 | 2314H004 | 1 | Screw |
| ! | This is a component of an assembly | | |
| ➡ | Not serviced, order | | |
| T-A | Replacement | | |

Engine

V/F-N Series Restyling (2010-) - RP05 - V90

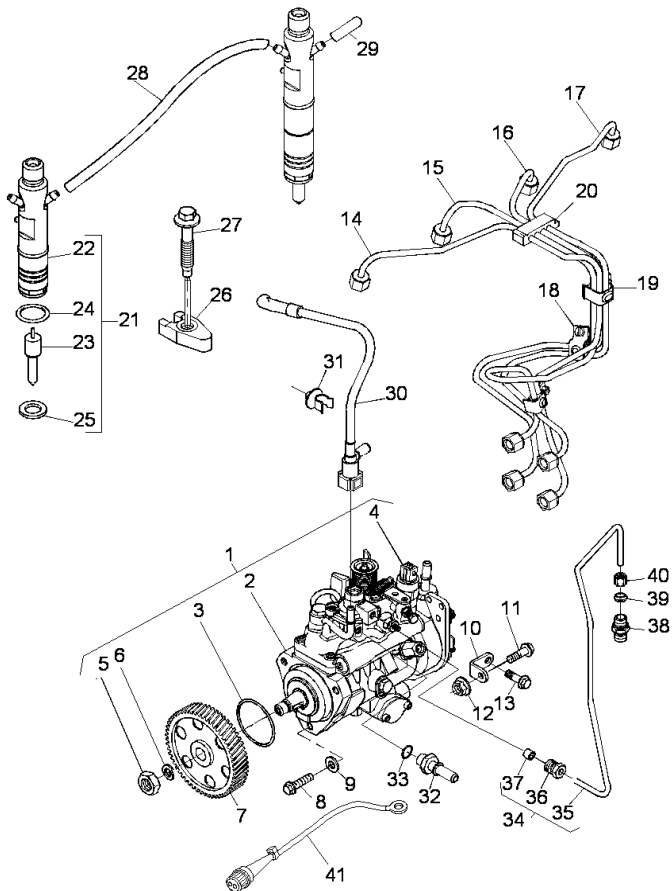
RP05\000015209.png

**A-05
12**



A0512

Fuel injection equipment (diesel)



1 2644C342/22

2 ! 1

➡ Ref.n.1

3 26420318 ! 1

4 26420469 ! 1

5 2318A108 ! 1

6 K134AF01 ! 1

7 3117L261

8 2314H004

9 2411D008

10 3641A007

11 2314H003

12 2318A603

13 2314J002

14 3525A101

15 3525A102

16 3525A103

17 3525A104

18 2481Y011

19 2481Y012

20 2646E019

21 2645K025

22 ! 21

➡ Ref.n.21

Inglese

1 Pump

1 Pump

1 Ring

1 Solenoid

1 Nut

1 Washer

1 Gear

3 Screw

3 Washer

1 Stirrup

1 Screw

1 Nut

1 Screw

1 Pipe

1 Pipe

1 Pipe

1 Pipe

2 Clip

1 Clip

1 Clip

1 Nozzle

1 Nozzle

Engine

V/F-N Series Restyling (2010-) - RP05 - V90

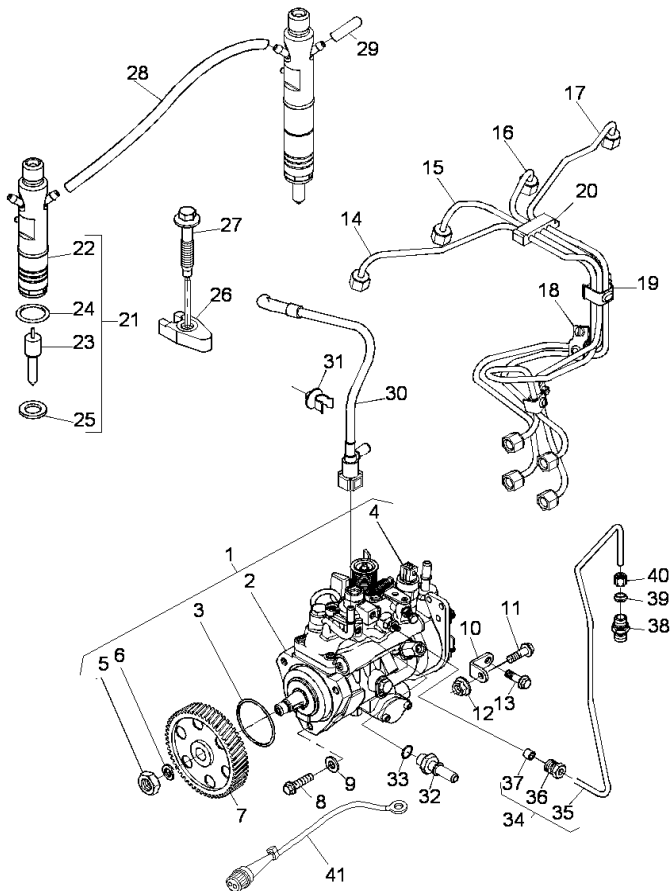
RP05\000015209.png

**A-05
12**



A0512

Fuel injection equipment (diesel)



| | | Inglese | |
|----|------------|----------|--------------|
| 23 | ! | 21 | 1 Jet |
| | ➡ | Ref.n.21 | |
| 24 | 26460064 | ! | 21 |
| 25 | L311FF02 | ! | 21 |
| 26 | 3751A241 | | 4 Clamp |
| 27 | 2314W009 | | 4 Screw |
| 28 | 2646F501 | | 3 Pipe |
| 29 | 2646E501 | | 1 Cap |
| 30 | 2646F007 | | 1 Pipe |
| 31 | 2481D456 | | 1 Clip |
| 32 | 3346A009 | | 1 Connection |
| 33 | 2415H009 | | 1 O ring |
| 34 | 4121A082 | | 1 Pipe |
| 35 | ! | 34 | 1 Pipe |
| | ➡ | Ref.n.34 | |
| 36 | ! | 34 | 1 Nut |
| | ➡ | Ref.n.34 | |
| 37 | 33811112 | ! | 34 |
| 38 | 0206002 | | 1 Union |
| 39 | 0566002 | | 1 Olive |
| 40 | 0576111 | | 1 Nut |
| 41 | 3673286M91 | | 1 Harness |

! This is a component of an assembly

➡ Not serviced, order

Engine

V/F-N Series Restyling (2010-) - RP05 - V90

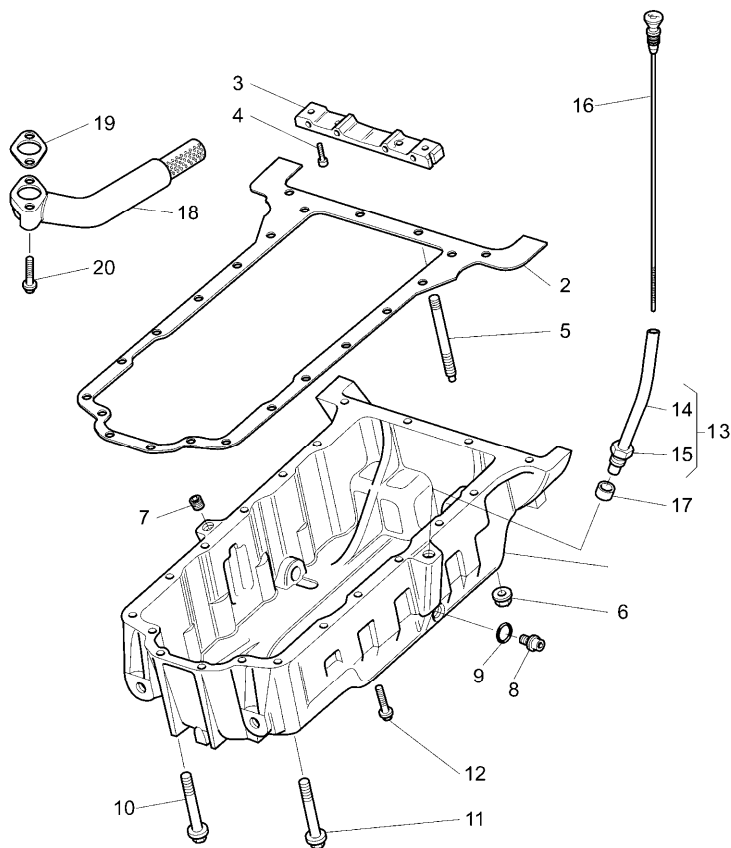
RP05\00011008.png

**A-05
13**



A0513

Lubricating oil sump



| | | | | |
|----|----------|-----|-------------|--|
| 1 | 3717E271 | T-A | 2:0 | |
| 2 | 3681K036 | (X) | 1.2.3. | |
| | | T-A | 2:0 | |
| 3 | 3627P041 | T-A | 2:0 | |
| 4 | 2311D039 | | | |
| 5 | 3211P013 | | | |
| 6 | 2318A603 | | | |
| 7 | 2431A016 | | | |
| 8 | 32186405 | | | |
| 9 | 2415715 | | | |
| 10 | 2314H023 | | | |
| 11 | 2314H022 | ● | 2314H052(1) | |
| 12 | 2314H015 | | | |
| 13 | 3577A159 | | | |
| 14 | | ! | 13 | |
| | | ▣ | Ref. n.13 | |
| 15 | 3353D005 | ! | 13 | |
| 16 | 3178C081 | (X) | 1.2.4. | |
| | | T-A | 0:25 | |
| 17 | 33812116 | T-A | 0:25 | |
| 18 | 3765A091 | T-A | 2:25 | |
| 19 | 36832137 | T-A | 2:25 | |
| 20 | 2314H006 | | | |

Inglese

| | |
|----|------------|
| 1 | Crankcase |
| 1 | Gasket |
| 1 | Crosspiece |
| 2 | Screw |
| 2 | Stud |
| 2 | Nut |
| 1 | Plug |
| 2 | Plug |
| 2 | Ring |
| 5 | Screw |
| 1 | Screw |
| 12 | Screw |
| 1 | Pipe |
| 1 | Pipe |
| 1 | Nut |
| 1 | Rod |
| 1 | Olive |
| 1 | Pipe |
| 1 | Gasket |
| 2 | Screw |

! This is a component of an assembly
 ▣ Not serviced, order



Suggest:

For more complete manuals. Please go to the home page.

<https://www.ebooklibonline.com>

If the above button click is invalid. Please download this document first, and then click the above link to download the complete manual.

Thank you so much for reading

Engine

V/F-N Series Restyling (2010-) - RP05 - V90

RP05\00011008.png

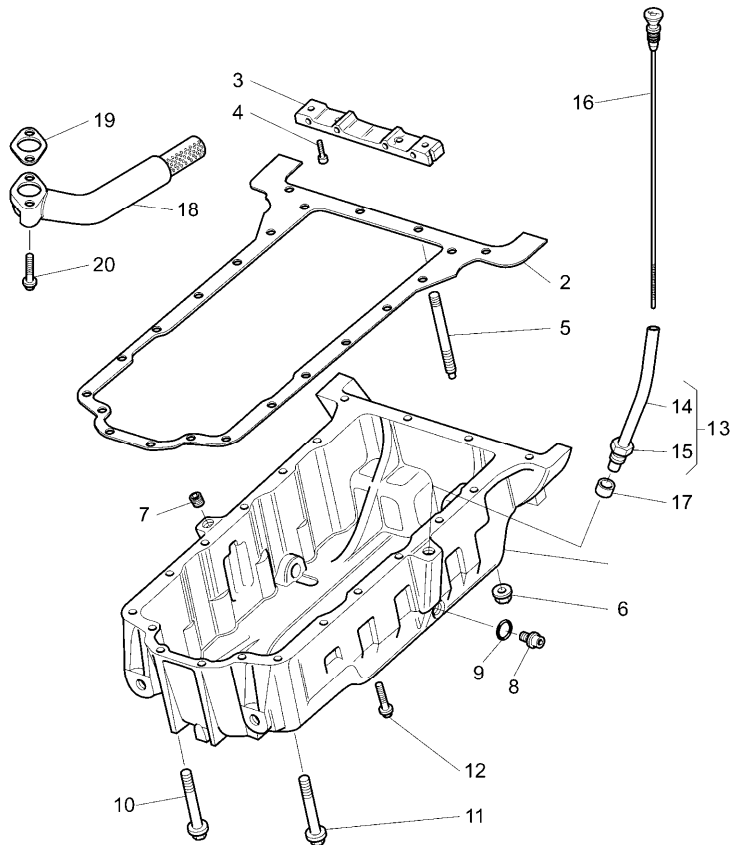
A-05
13



A0513

Lubricating oil sump

- Replacement
- (X) Qty per tractors sold (aa.bbb.ccc.ddd) (aa) for 1,(bbb) 2-10 (ccc) 11-25 (ddd) 26-50
- T-A Replacement



Engine

V/F-N Series Restyling (2010-) - RP05 - V90

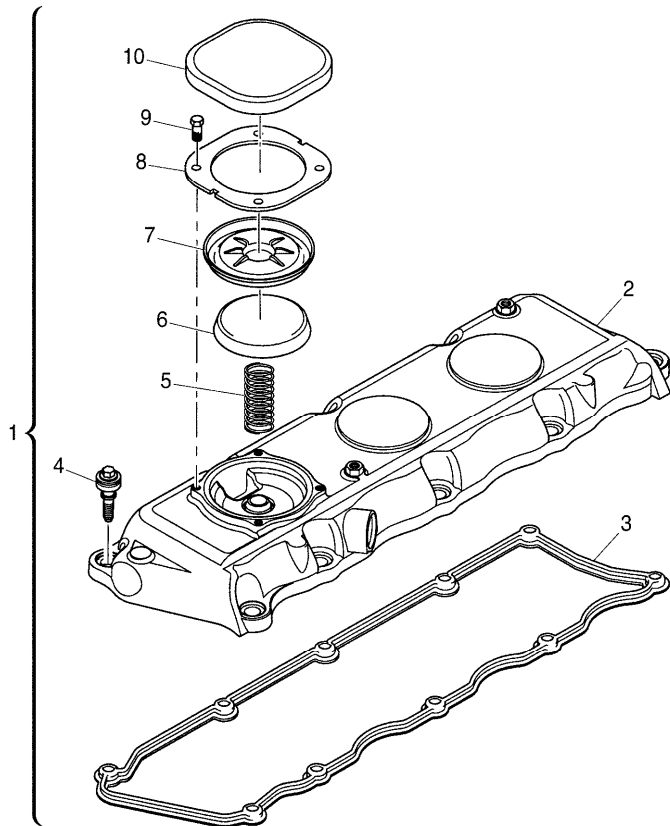
RP05\000020533.png

**A-05
14**



A0514

Cylinder head cover



| | | Inglese | |
|----|----------|--|-------------|
| 1 | 4142X322 | ● T417513(1) | 1 Guard |
| 2 | | ! 1 | 1 Cover |
| 3 | 3681A055 | ▣ Ref.n.1 | 1 Gasket |
| | | (X) 1.2.5. | |
| | | T-A 1:0 | |
| 4 | 2161A013 | ! 1 | 10 Screw |
| 5 | 3174A017 | ! 1 | 1 Spring |
| | | T-A 0:25 | |
| 6 | 3788A002 | ! 1 | 1 Cap |
| | | T-A 0:25 | |
| 7 | 3789A001 | ! 1 | 1 Diaphragm |
| | | T-A 0:25 | |
| 8 | 3615A009 | ! 1 | 1 Plate |
| | | T-A 0:25 | |
| 9 | 2151A001 | ! 1 | 4 Screw |
| 10 | 3788A003 | ! 1 | 1 Cap |
| | | T-A 0:25 | |
| | ! | This is a component of an assembly | |
| | ▣ | Not serviced, order | |
| | ● | Replacement | |
| | (X) | Qty per tractors sold (aa.bbb.ccc.ddd) (aa) for 1,(bbb) 2-10 (ccc) 11-25 (ddd) 26-50 | |
| | T-A | Replacement | |

<https://www.ebooklibonline.com>

Hello dear friend!

Thank you very much for reading.

Enter the link into your browser.

The full manual is available for immediate download.

<https://www.ebooklibonline.com>