

Engine

TTX Tier 3 (2007-) - XTX4 - 190

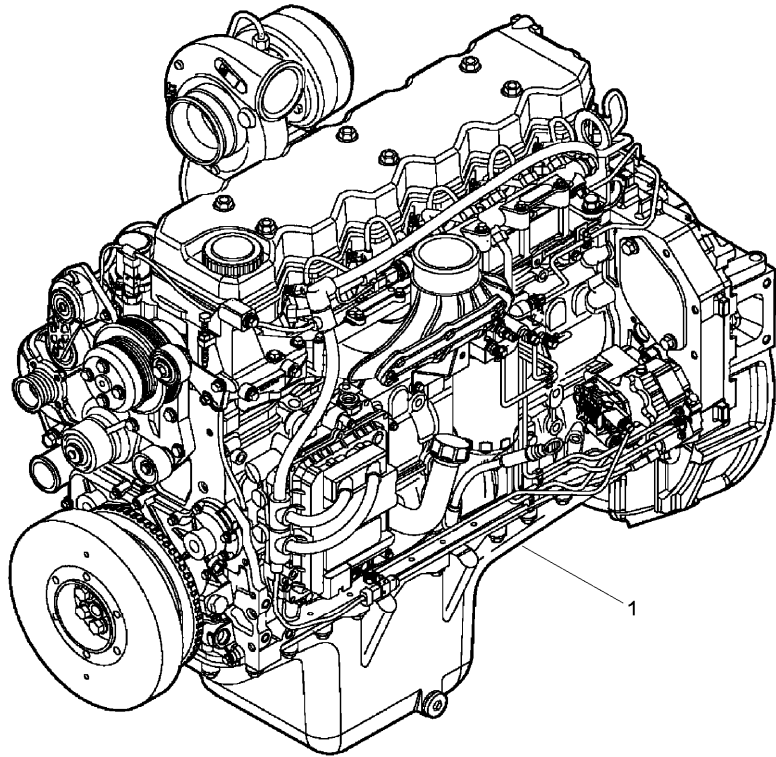
XTX4\00006680.png

A-05
01



A0501

Engine assembly



		Inglese	
1	4207447M91	● 6518645M91(1) Iveco 134 kw F4he9684w*j102	1 Engine
1	6505629M91	134 kw	1 Engine
		A	
●	Replacement		
A	Flexibility engine		

Engine

TTX Tier 3 (2007-) - XTX4 - 190

XTX4\00041500.png

A-05
015

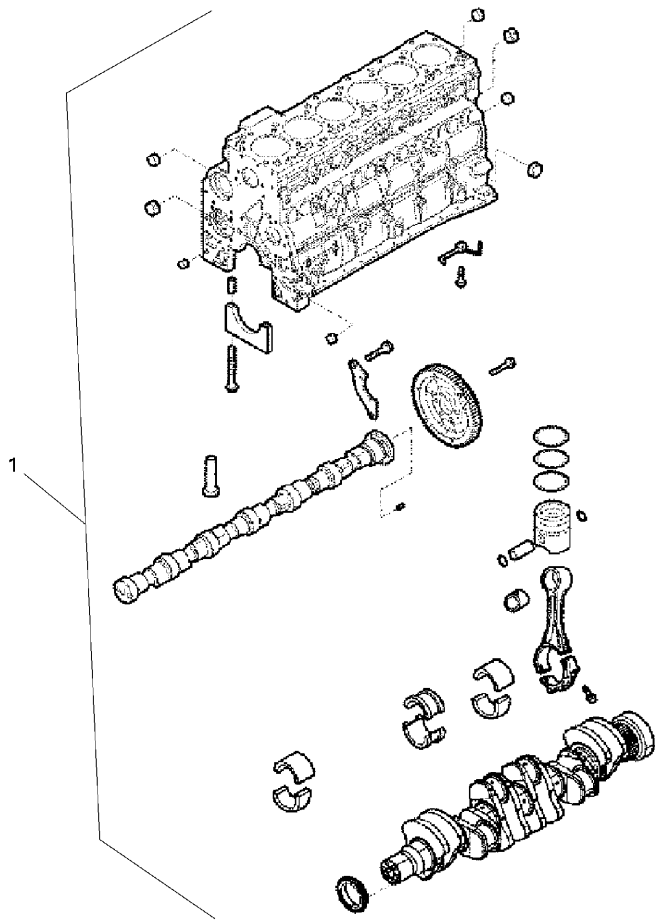


A05015

Short engine

Inglese

- 1 6501960M91 ● 6518645M91(1) 1 Short engine
- Replacement



Engine

TTX Tier 3 (2007-) - XTX4 - 190

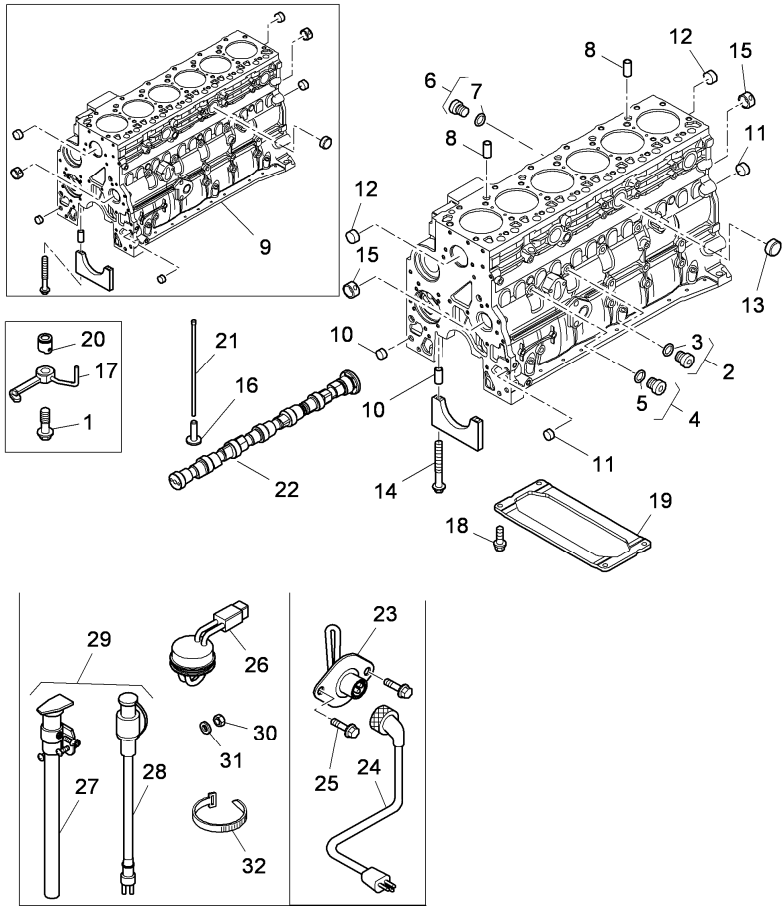
XTX4\00006683.png

A-05
02



A0502

Crankcase



		Inglese
1	3688692M1	6 Filler
2	3689350M1	● 704866A1(2) 2 Plug
3	3688868M1	! 2 1 O ring
4	3688822M1	● 704980A1(2) 2 Plug
5	3688855M1	! 4 1 O ring
6	3688780M1	● 704848A1(3) 3 Plug
7	3688781M1	! 6 1 O ring
		● 707405A1(1)
8	3688760M1	2 Dowel pin
9	704604A1	1 Crankcase
10	3688824M1	! 9 14 Dowel pin
		● 704983A1(14)
11	3688758M1	! 9 3 Plug
		17,73x6,35x1,07
12	3688757M1	! 9 6 Plug
		58,06x8,25x1,52
13	3688775M1	! 9 3 Plug
		35,23x7,94x1,52
14	3688673M1	! 9 14 Screw
		◄ M12x120 mm
		● 704696A1(14)
15	3688759M1	! 9 1 Bearing
16	3688877M1	12 Platform
17	3689030M1	6 Splasher
18	704985A1	◄ M10x25 mm 4 Bolt

<https://www.ebooklibonline.com>

Hello dear friend!

Thank you very much for reading.

Enter the link into your browser.

The full manual is available for immediate download.

<https://www.ebooklibonline.com>

Engine

TTX Tier 3 (2007-) - XTX4 - 190

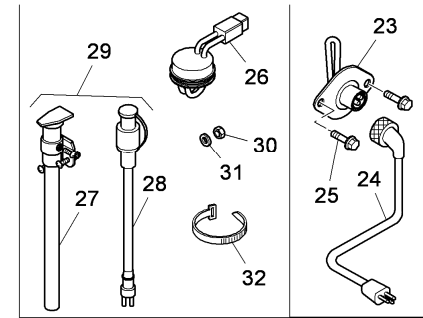
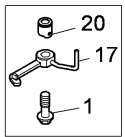
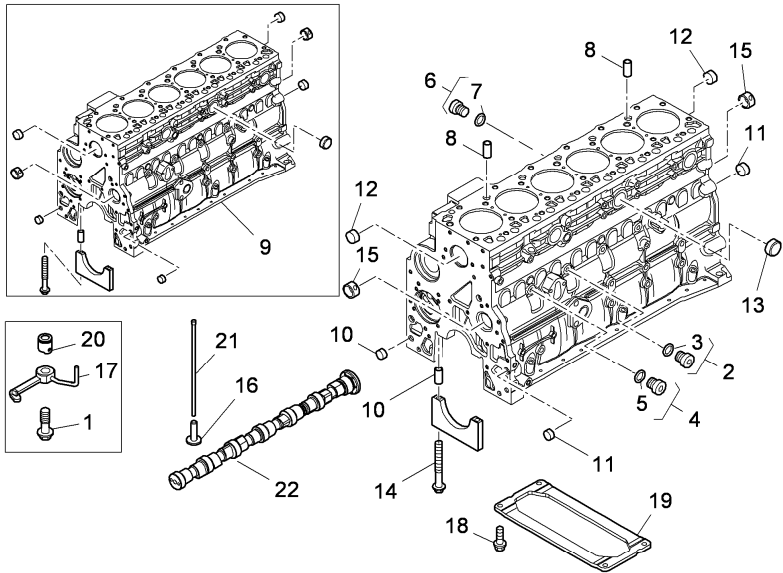
XTX4\00006683.png

A-05
02



A0502

Crankcase



- 19 705218A1
- 20 A-05 11 20
- 21 A-05 09 17
- 22 A-05 14 5
- 23 706388A1 A
- 24 J905113 A
- 25 844-8020 M8x20 mm
- A
- 26 706389A1 B
- 27 314722A1 ! 29
- 28 314723A1 ! 29
- 29 313126A2 314722A1(1),
314723A1(1)
- B
- 30 825-1405 390995X1(1)
- B
- 31 893-16005 B
- 32 289862C1 B
- ! This is a component of an assembly
- See page - reference number
- Length
- Replacement
- A For market "n.a.o."
- B Excluded "n.a.o." market

Inglese

- 1 Plate
- 6 Piston
- 12 Rod
- 1 Camshaft
- 1 Heater
- 1 Cable
- 2 Bolt
- 1 Heater
- 1 Cable
- 1 Cable
- 1 Cable
- 1 Nut
- 2 Washer
- 3 Clamp

Engine

TTX Tier 3 (2007-) - XTX4 - 190

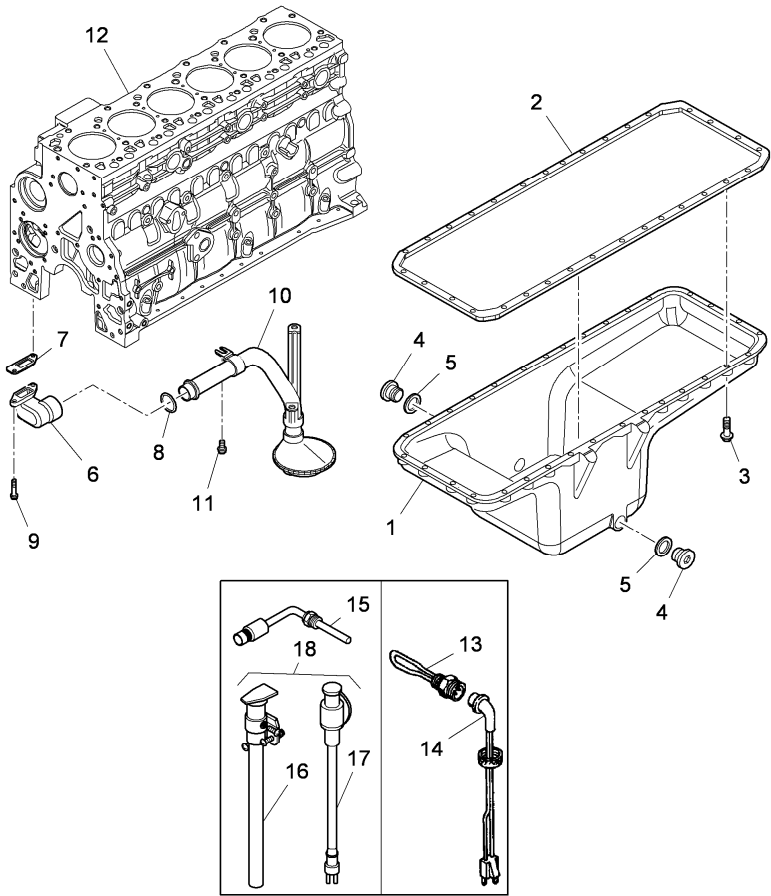
XTX4\00006684.png

A-05
03



A0503

Oil sump



Inglese

1	705252A1		1	Housing
2	705082A1		1	Gasket
3	3688942M1	◄ M8x30 mm	32	Screw
		● 706309A1(32)		
4	3688691M1		2	Plug
5	3688997M1		2	O ring
6	705185A1		1	Insert
7	704957A1		1	Gasket
8	704589A1		1	Gasket
9	710626A1	◄ M8x25 mm	2	Screw
10	705298A1		1	Pipe
11	704827A1	◄ M10x20 mm	1	Screw
12		◁ A-05 02 9	1	Housing
13	J904380	A	1	Heater
14	J905113	A	1	Cable
15	706391A1	B	1	Heater
16	314722A1	! 18	1	Cable
17	314723A1	! 18	1	Cable
18	313126A2	● 314722A1(1), 314723A1(1)	1	Cable

B

- ! This is a component of an assembly
- ◁ See page - reference number
- ◄ Length
- Replacement
- A N.a.o. market

Engine

TTX Tier 3 (2007-) - XTX4 - 190

A-05
03

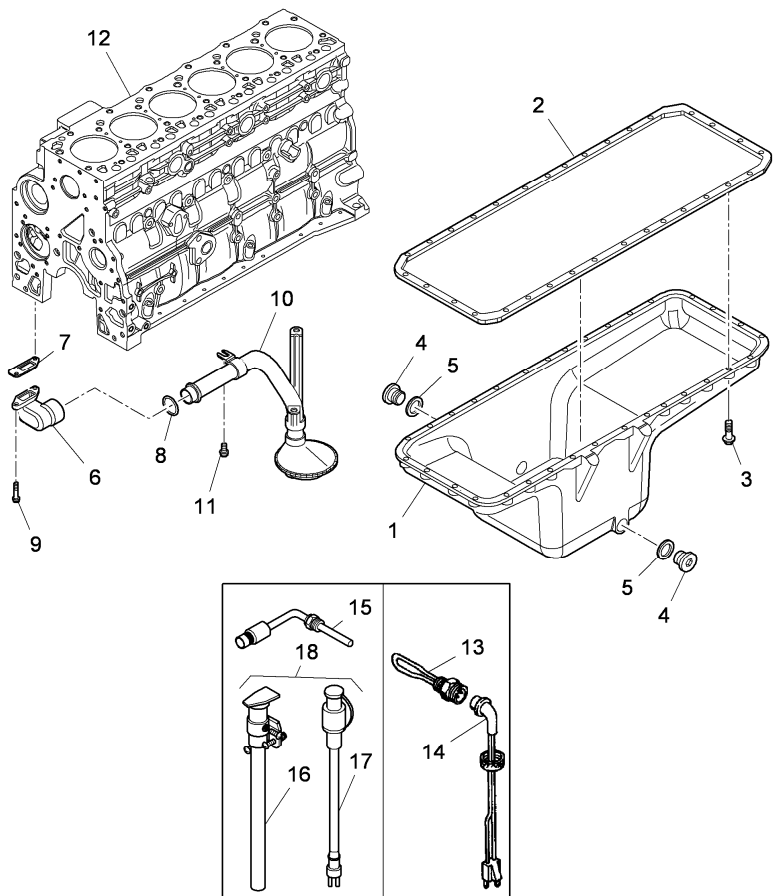


A0503

Oil sump

XTX4\00006684.png

B Excluded "n.a.o." market



Engine

TTX Tier 3 (2007-) - XTX4 - 190

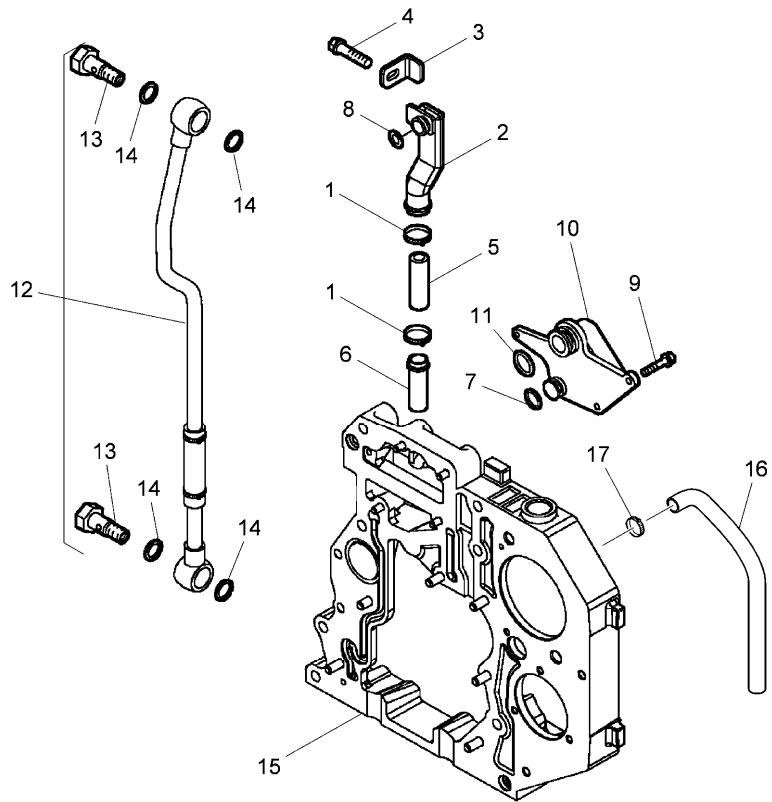
A-05
06



A0506

Engine breathers

XTX4\00006691.png



- 1 704728A1
 - 2 704935A1
 - 3 704936A1
 - 4 704937A1
 - 5 704939A1
 - 6 704940A1
 - 7 704960A1
 - 8 3688996M1
 - 9 3688866M1 ● 705021A1(3)
 - 10 714673A1
 - 11 714672A1
 - 12 705029A1
 - 13 3688929M1 ! 12
 - 14 3688878M1 ! 12
 - 15 <◇> A-05 04 10
 - 16 714463A1
 - 17 3551942M1
- ! This is a component of an assembly
 <◇> See page - reference number
 ● Replacement

Inglese

- 2 Clamp
- 1 Pipe
- 1 Bracket
- 1 Screw
- 1 Sleeve
- 1 Union
- 1 Gasket
- 1 O ring
- 3 Screw
- 1 Breather
- 1 Ring
- 1 Pipe
- 2 Filler
- 4 Gasket
- 1 Box
- 1 Pipe
- 1 Clamp

Engine

TTX Tier 3 (2007-) - XTX4 - 190

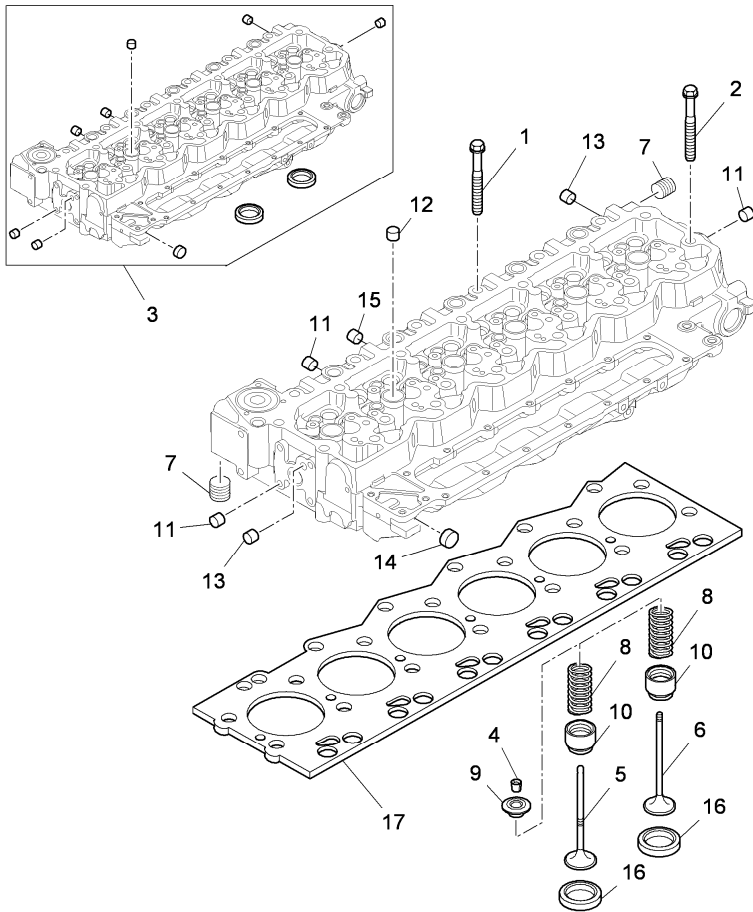
XTX4\00006692.png

A-05
07



A0507

Head cylinder



Inglese

1	3688651M1	◄►	M12x130 mm	12	Screw
2	3688652M1	◄►	M12x150 mm	14	Screw
3	3688621M1			1	Head
4	3688858M1	!	3	48	Cone
5	3688761M1	!	3	12	Valve
6	3688762M1	!	3	12	Valve
7	3688683M1	!	3	1	Plug
8	3688765M1	!	3	24	Spring
9	3688766M1	!	3	24	Cup
10	3688622M1	!	3	24	Cap
11	3688768M1	!	3	13	Plug
			25,74x8,13x1,27		
12	3688769M1	!	3	11	Plug
			22,5 mm x 1,27 m		
13	3688782M1	!	3	7	Plug
14	3688794M1	!	3	2	Plug
15	3688795M1	!	3	2	Plug
16	3688685M1	!	3	24	Valve seat
		●	N.L.S.(24)		
17	3688616M1	!	3	1	Gasket

- ! This is a component of an assembly
- ◄► Length
- Replacement

Engine

TTX Tier 3 (2007-) - XTX4 - 190

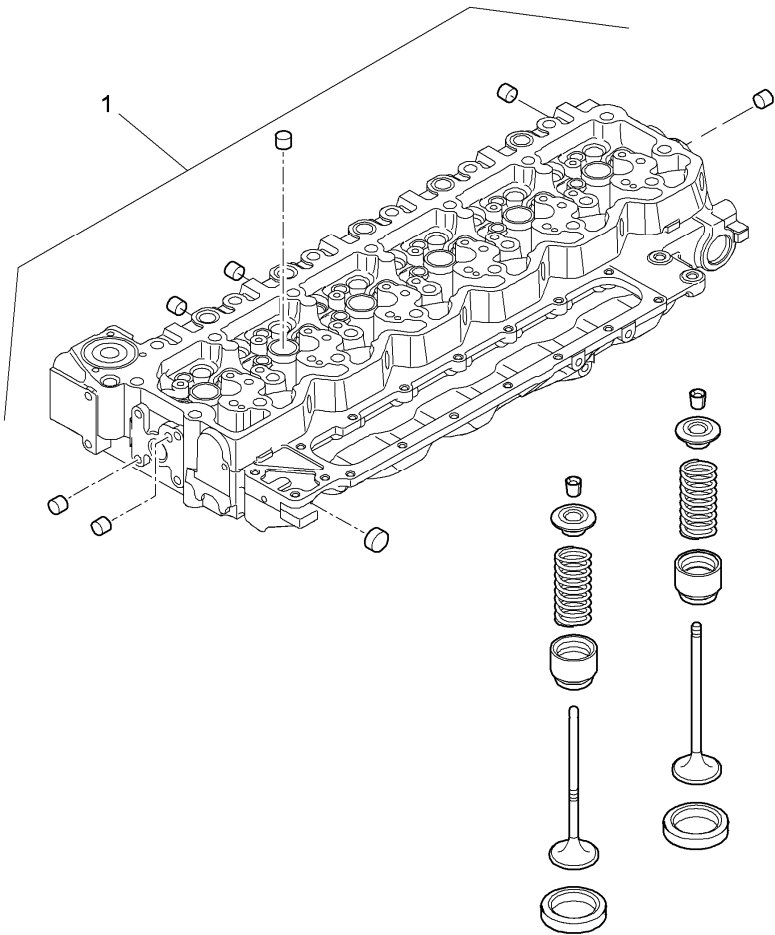
XTX4\00041517.png

A-05
075



A05075

Cylinder head



Inglese

- 1 6501968M91 ● 704660A1(1) 1 Cylinder head
- Replacement

Engine

TTX Tier 3 (2007-) - XTX4 - 190

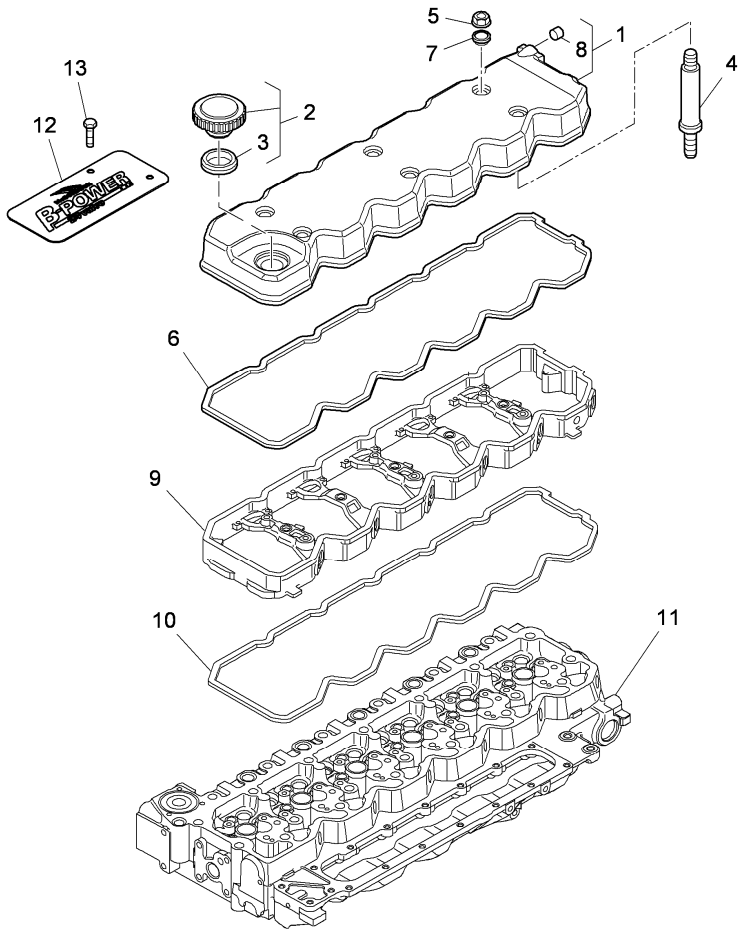
XTX4\00006693.png

A-05
08



A0508

Cylinder head cover



		Inglese
1	3688802M1	1 Cover
2	3689018M1	1 Plug
3	3689016M1 ! 2	1 Gasket
4	3689104M1	6 Screw
5	3689057M1	6 Nut
6	3689038M1	1 Gasket
7	3689040M1	6 Spacer
8	3688819M1 ! 1	1 Plug
	● 704956A1(1)	
9	◁ A-05 09 13	1 Spacer
10	◁ A-05 09 19	1 Gasket
11	◁ A-05 07 3	1 Head
12	707729A1	1 Note plate
13	555-1 ◀ M8x16 mm	2 Bolt

! This is a component of an assembly

◁ See page - reference number

◀ Length

● Replacement

Engine

TTX Tier 3 (2007-) - XTX4 - 190

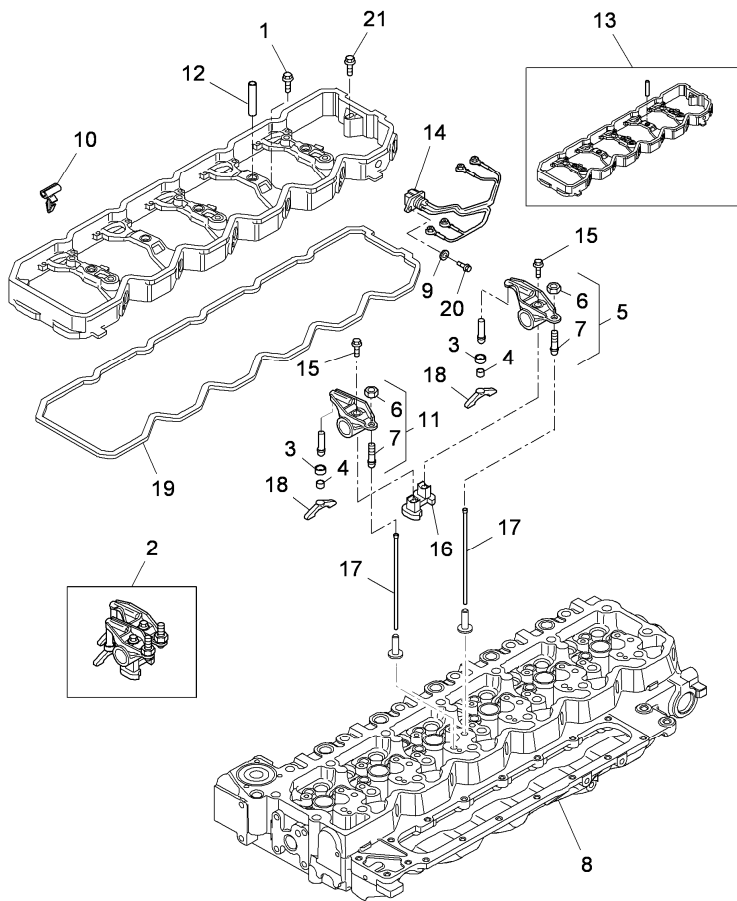
XTX4\00006694.png

A-05
09



A0509

Rocker shaft



		Inglese	
1	3688796M1	◄► M8x70 mm	5 Screw
		● 704858A1(5)	
2	3688820M1	● 6503095M2(1)	6 Shaft
3	3688816M1	● 6513400M1(1)	12 Cup
4	3688815M1	● 6513401M1(12)	12 Skate
5	3688764M1	● 6513402M91(6)	6 Rocker
6	A		12 Nut
7	3688604M1	● 6513404M1(12)	12 Screw
8		◁ A-05 07 3	1 Head
9	3688950M1	● 707347A1(3)	3 Lock washer
10	3689037M1	● 705197A1(6)	6 Spring
11	3688763M1	● 6513405M91(6)	6 Rocker
12	3688871M1	● 705039A1(5)	5 Bush
13	3688872M1		1 Spacer
14	3689025M1		3 Cable
15	3688609M1	➔ 37131	12 Screw
		● 704622A1(12)	
15	3688860M1	➔ 37130	12 Screw
		● 707345A1(12)	
		● 704735A1(6)	6 Support
16	3688687M1		12 Rod
17	3688756M1		12 Bridge
18	3689067M1		1 Gasket
19	3689039M1		3 Screw
20	3688945M1	◄► M6x16 mm	
		● 704572A1(3)	

Engine

TTX Tier 3 (2007-) - XTX4 - 190

A-05
09



A0509

Rocker shaft

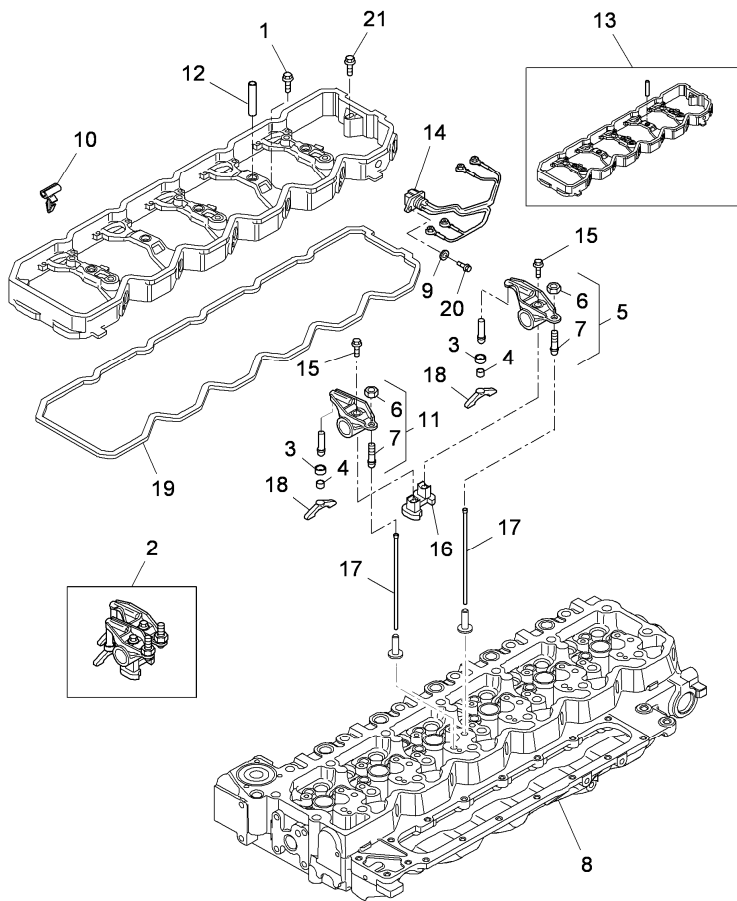
XTX4\00006694.png

Inglese

21 3688863M1 ● 705011A1(2)

2 Screw

- ➔ From serial or engine number
- ➡ Up to serial or engine number
- 👁 See page - reference number
- ↔ Length
- Replacement
- A To be advised



Engine

TTX Tier 3 (2007-) - XTX4 - 190

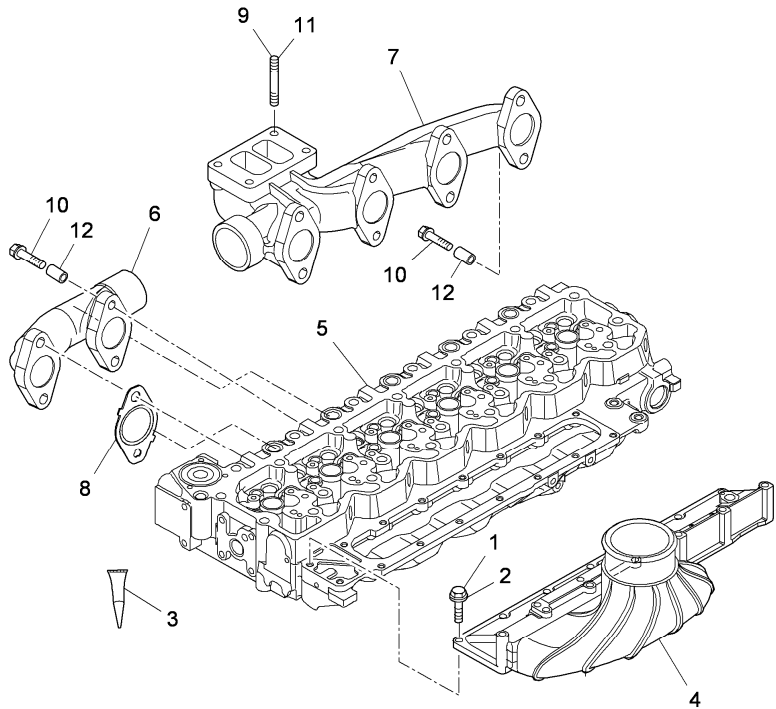
XTX4\00006695.png

**A-05
10**



A0510

Intake and exhaust manifold



		Inglese
1	3688777M1	2 Screw
2	3688850M1	8 Screw
3	3688633M1	1 Adhesive
4	3689091M1	1 Duct
5		1 Head
6	3688619M1	1 Manifold
7	3689060M1	1 Manifold
8	3688610M1	6 Gasket
9	3688861M1	3 Screw
10	3688774M2	12 Screw
11	3688946M1	1 Screw
12	3688620M1	12 Spacer

👁 See page - reference number

↔ Length

● Replacement

A Inlet

B Exhaust

Engine

TTX Tier 3 (2007-) - XTX4 - 190

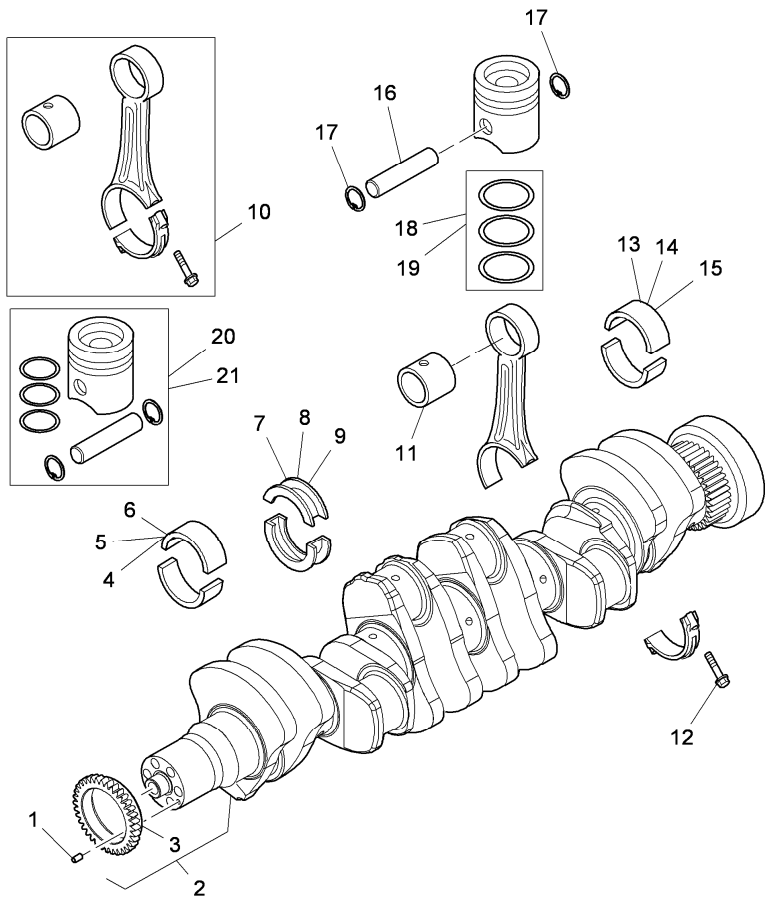
XTX4\00006698.png

A-05
11



A0511

Crank shaft - connecting rods



- | | | | |
|----|-----------|---|--------------|
| 1 | 3688851M1 | ● | 704992A1(1) |
| 2 | 705157A1 | ● | 705157A2(1) |
| 3 | 704730A1 | ! | 2 |
| 4 | 3688637M1 | | |
| 5 | 3688638M1 | ✕ | -0,250 mm |
| 6 | 3688639M1 | ✕ | -0,500 mm |
| 7 | 3688634M1 | | |
| 8 | 3688635M1 | ✕ | -0,250 mm |
| 9 | 3688636M1 | ✕ | -0,500 mm |
| 10 | 3688624M1 | | |
| 11 | 3688675M1 | ! | 10 |
| 12 | 3688623M1 | ! | 10 |
| 13 | 3688880M1 | | |
| 14 | 4206388M1 | ✕ | -0,250 mm |
| 15 | 4206389M1 | ✕ | -0,500 mm |
| 16 | 3688676M1 | | |
| 17 | 3689087M1 | | |
| 18 | 706290A1 | ● | 3688921M1(1) |
| 19 | 707354A1 | ✕ | +0,400 mm |
| | | ● | 713981A1(6) |
| 20 | 707353A1 | ● | 3688927M1(1) |
| 21 | 707355A1 | ✕ | +0,400 mm |
| | | ● | 3688928M1(1) |

Inglese

- | | |
|----|-----------|
| 1 | Dowel pin |
| 1 | Shaft |
| 1 | Gear |
| 6 | Cuscinet |
| 6 | Cuscinet |
| 6 | Cuscinet |
| 1 | Cuscinet |
| 1 | Bearing |
| 1 | Cuscinet |
| 6 | Conrod |
| 1 | Bush |
| 2 | Screw |
| 6 | Cuscinet |
| 6 | Cuscinet |
| 6 | Cuscinet |
| 6 | Cuscinet |
| 12 | Ring |
| 6 | Kit |
| 6 | Kit |
| 6 | Piston |
| 6 | Piston |

! This is a component of an assembly
 ✕ Shim

Engine

A-05
11

Crank shaft - connecting rods

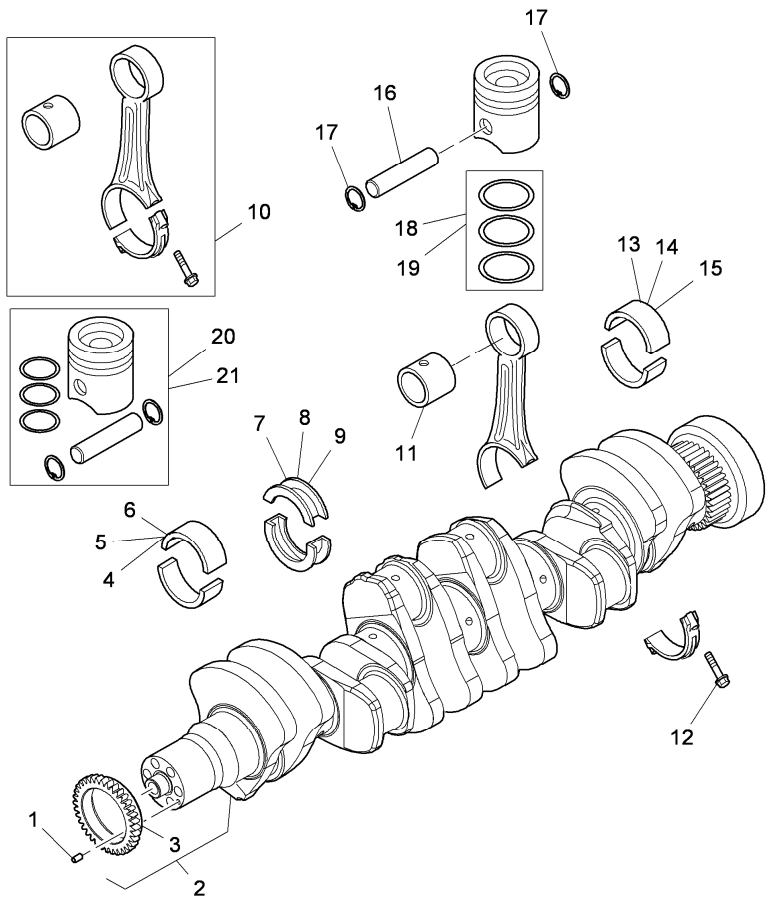
TTX Tier 3 (2007-) - XTX4 - 190



A0511

XTX4\00006698.png

● Replacement



Engine

TTX Tier 3 (2007-) - XTX4 - 190

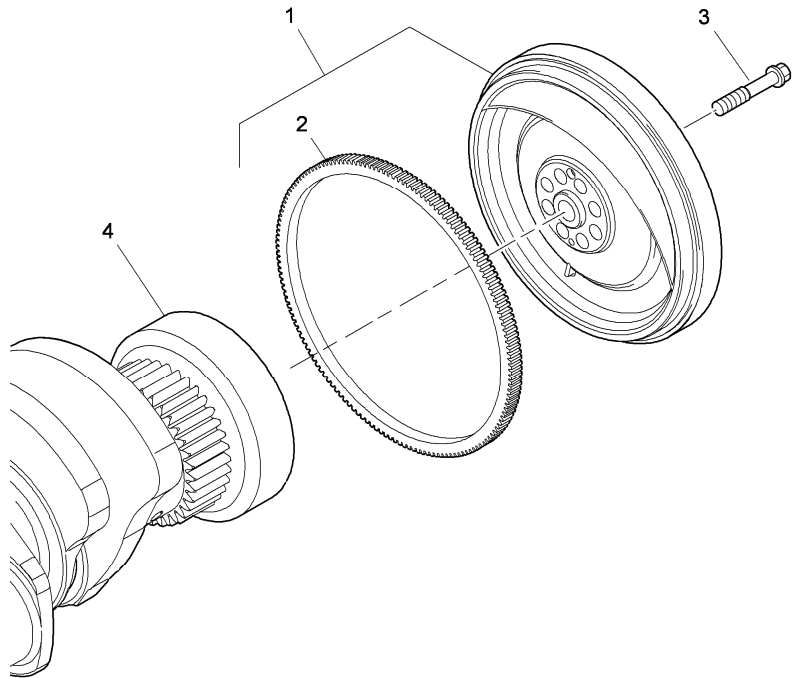
XTX4\00006699.png

A-05
12



A0512

Engine flywhell - damper



- 1 705228A1
- 2 705069A1 ! 1
● N.L.S.(1)
- 3 704752A1
- 4 ⦿ A-05 11 2
- ! This is a component of an assembly
- ⦿ See page - reference number
- Replacement

Inglese

- 1 Flywheel
- 1 Crownwheel
- 8 Screw
- 1 Shaft

Engine

TTX Tier 3 (2007-) - XTX4 - 190

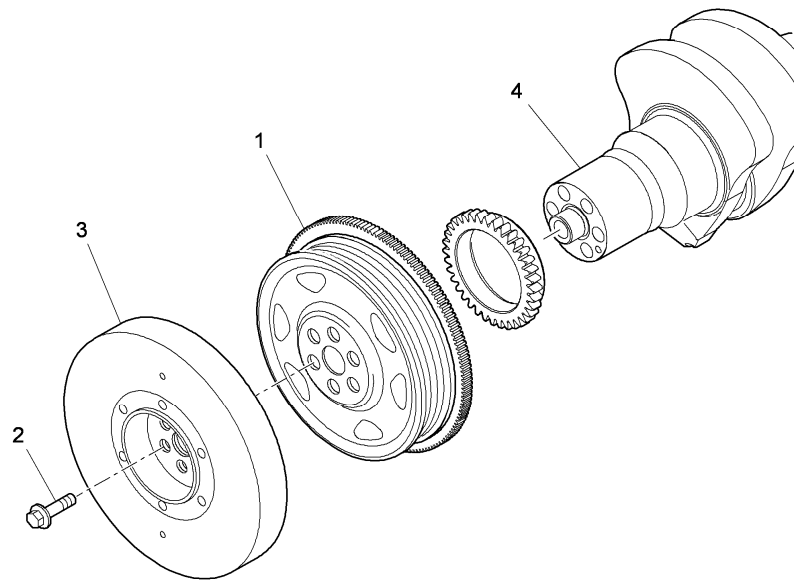
XTX4\00006700.png



A-05
13



A0513

Vibration damper



- 1 704899A1
 - 2 3688681M1
 - 3 704720A1
 - 4  A-05 11 2
-  See page - reference number

Inglese

- 1 Pulley
- 6 Screw
- 1 Kit
- 1 Shaft

Engine

TTX Tier 3 (2007-) - XTX4 - 190

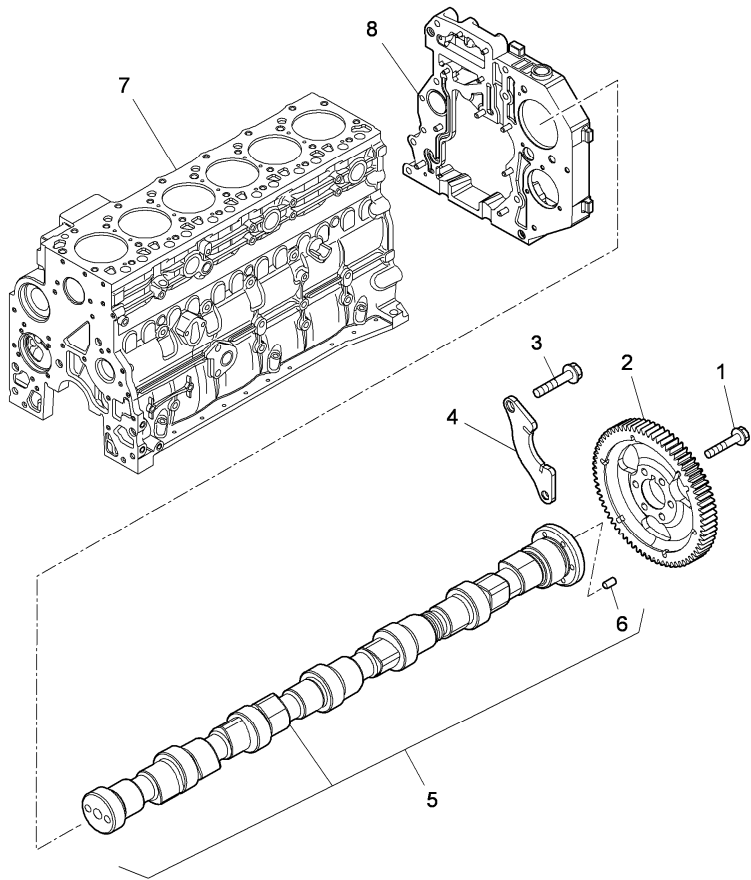
XTX4\00006701.png

A-05
14



A0514

Timing parts



Inglese

- | | | | | |
|---|-----------|---------------|---|-------------|
| 1 | 3688856M1 | | 6 | Screw |
| 2 | 704887A1 | | 1 | Pinion |
| 3 | 3688854M1 | ◄► M8x17 mm | 2 | Screw |
| 4 | 3688818M1 | ● 704997A1(2) | 1 | Stirrup |
| 5 | 3689061M1 | ● 704931A1(1) | 1 | Camshaft |
| 6 | 3688857M1 | ! 5 | 1 | Screw |
| 7 | | ● 705005A1(1) | 1 | Housing |
| 8 | | ◄◄ A-05 02 9 | 1 | Rotor drive |
| | | ◄◄ A-05 04 10 | | |
- ! This is a component of an assembly
◄◄ See page - reference number
◄► Length
● Replacement

Engine

TTX Tier 3 (2007-) - XTX4 - 190

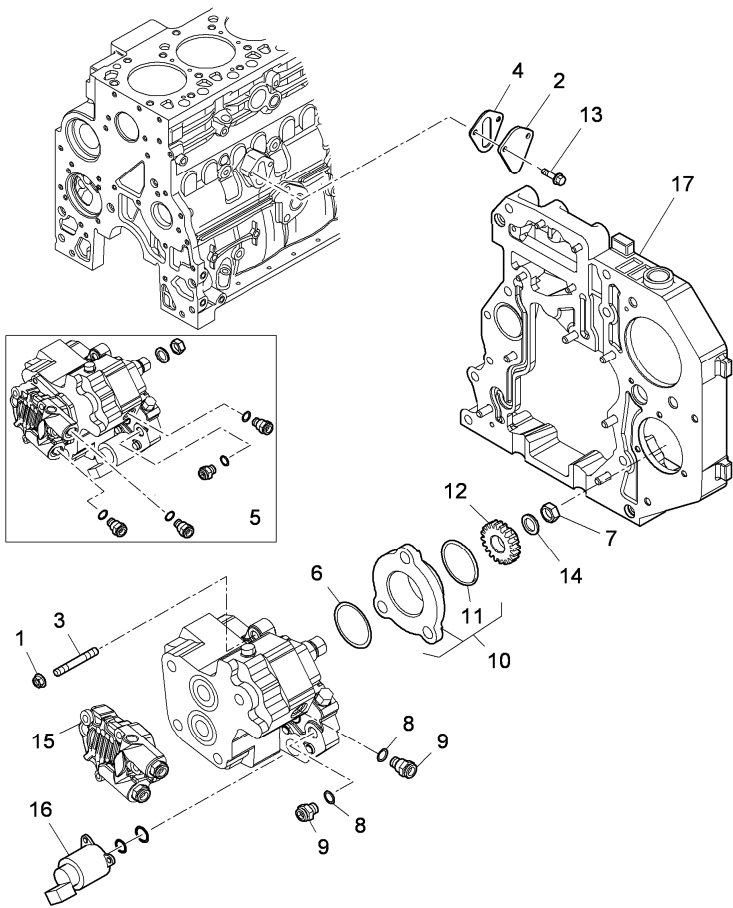
XTX4\00006702.png

**A-05
15**



A0515

Fuel injection equipment



		Inglese
1	3688948M1	3 Nut
2	3688811M1 ●	1 Coperch.
3	704575A1 ◄	3 Stud
4	3688642M1 ●	1 Gasket
5	3688821M1 ●	1 Pump
6	3689012M1	1 O ring
7	3688641M1 ●	1 Nut
8	3689015M1 ●	4 Gasket
9	3688689M1 ●	4 Union
10	705116A1	1 Spacer
11	704591A1 !	1 Gasket
12	704731A1	1 Pinion
13	3688941M1 ●	2 Screw
14	3688990M1 ●	1 Washer
15	◁ A-05 17 10	1 Pump
16	◁ A-05 17 1	1 Adjuster
17	◁ A-05 04 10	1 Rotor drive

! This is a component of an assembly

◁ See page - reference number

◄ Length

● Replacement

Engine

TTX Tier 3 (2007-) - XTX4 - 190

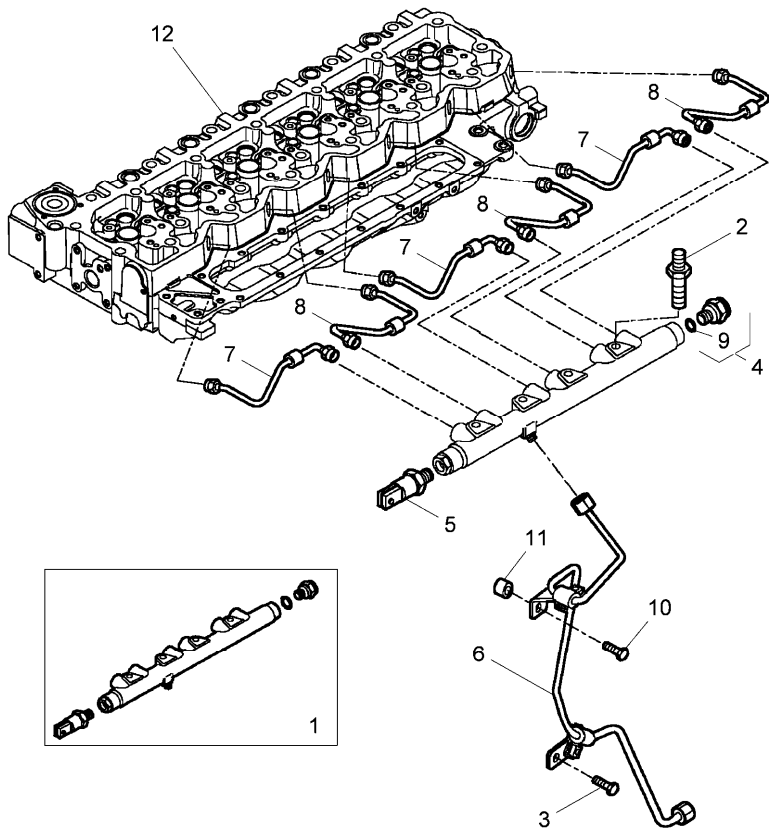
XTX4\00006703.png

**A-05
16**



A0516

Accumulator hydraulic



Inglese

- | | | | | | |
|----|-----------|---|--------------|---|-------------|
| 1 | 3689071M1 | ● | 3689071M2(1) | 1 | Accumulator |
| 2 | 3689029M1 | ● | 705148A1(4) | 4 | Screw |
| 3 | 3688941M1 | ◄ | M8x20 mm | 1 | Screw |
| | | ● | 710625A1(1) | | |
| 4 | 3689078M1 | ! | 1 | 1 | Valve |
| | | ● | 3689078M2(1) | | |
| 5 | 3689100M1 | ! | 1 | 1 | Sensor |
| | | ● | 3689100M2(1) | | |
| 6 | 4218885M1 | | | 1 | Pipe |
| 7 | 4218886M1 | | | 3 | Pipe |
| 8 | 4218887M1 | | | 3 | Pipe |
| 9 | 4218938M1 | ! | 4 | 1 | Ring |
| 10 | 704904A1 | | | 1 | Screw |
| 11 | 714693A1 | | | 1 | Spacer |
| 12 | | ◊ | A-05 07 3 | 1 | Head |

- ! This is a component of an assembly
- ◊ See page - reference number
- ◄ Length
- Replacement

Engine

TTX Tier 3 (2007-) - XTX4 - 190

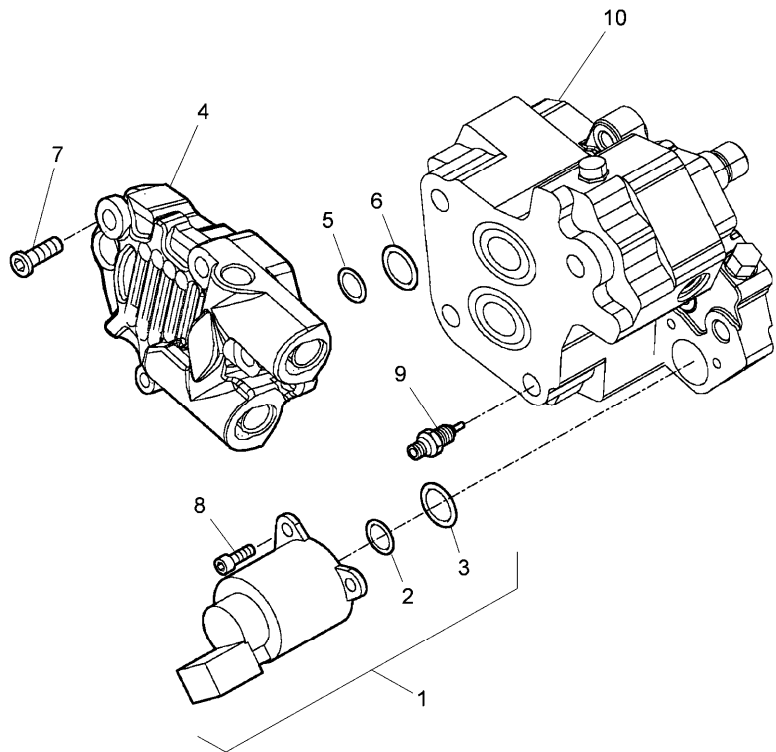
XTX4\00006704.png

**A-05
17**



A0517

Injection pump (componenti)



		Inglese
1	3689009M1	1 Adjuster
2	3689008M1 ! 1	1 O ring
3	3689007M1 ! 1	1 O ring
4	3689010M1 ● 3689010M2(1)	1 Pump
5	3689013M1	1 O ring
6	3689011M1	1 O ring
7	3689112M1 ● 6525662M1(4)	4 Screw
8	3689128M1 ● 6525661M1(3)	3 Screw
9	3689129M1	1 Valve
10	◁ A-05 15 5	1 Pump
! This is a component of an assembly		
◁ See page - reference number		
● Replacement		

Engine

TTX Tier 3 (2007-) - XTX4 - 190

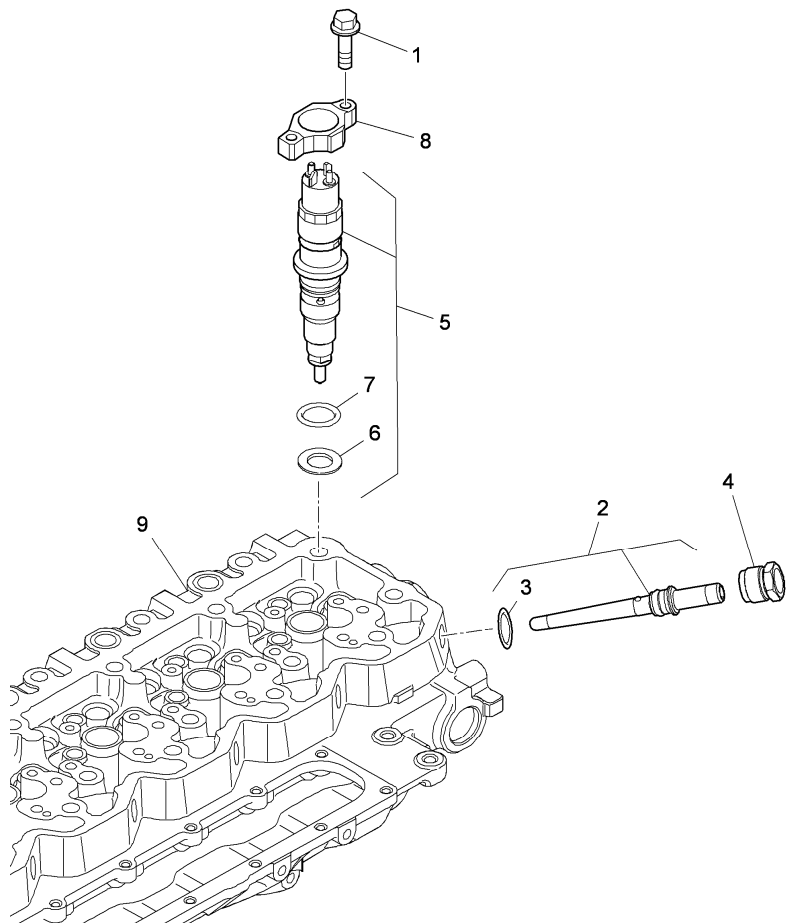
XTX4\00006706.png

A-05
18



A0518

Nozzles



- 1 3688798M1
- 2 3689089M1
- 3 3688649M1 ! 2
- 4 3688688M1
- 5 3689085M1
- 6 3688876M1 ! 5
- 7 3688648M1 ! 5
- 8 3689084M1
- 9 A-05 07 3

Inglese

- 12 Screw
- 6 Pipe
- 1 Ring
- 6 Nut
- 6 Nozzle
- 1 Washer,locking
- 1 Ring
- 1 Stirrup
- 1 Head

! This is a component of an assembly
 See page - reference number

Engine

TTX Tier 3 (2007-) - XTX4 - 190

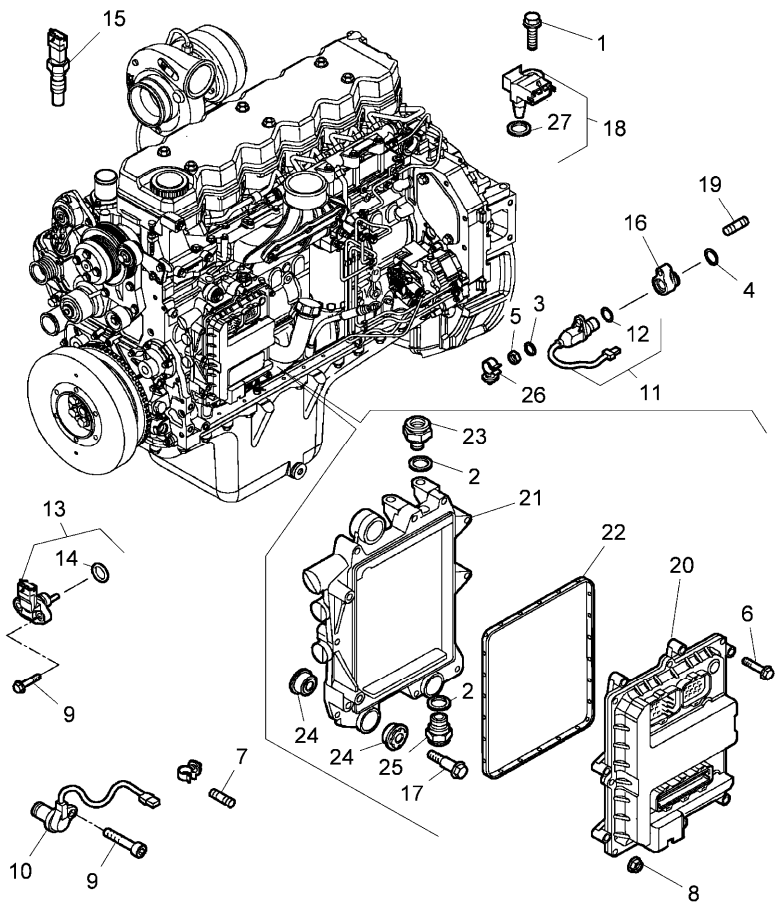
A-05
19



A0519

Electronic control unit

XTX4\00006707.png



		Inglese
1	3688801M1	1 Screw
2	4206399M1	2 Ring
3	705023A1	2 Washer
4	704588A1	1 O ring
5	714708A1	1 Nut
6	3688931M1	◀ M6x30 mm 7 Screw
7	714709A1	1 Stud
8	714711A1	1 Nut
9	3688866M1	● 705021A1(3) 3 Screw
10	704677A1	A 1 Sensor
11	707382A1	A 1 Sensor
12	3688993M1	! 11 1 O ring
13	3688640M1	● 3688640M2(1) 1 Sensor
		B
		C
14	3688797M1	! 13 1 O ring
15	3688813M1	C 1 Sender
16	704702A1	1 Support
17	705003A1	3 Screw
18	3689055M1	● 6513418M91(1) 1 Sensor
		D
		C
19	704800A1	1 Stud
20	3688920M1	● N.L.S.(1) 1 Electronic unit control



Suggest:

For more complete manuals. Please go to the home page.

<https://www.ebooklibonline.com>

If the above button click is invalid. Please download this document first, and then click the above link to download the complete manual.

Thank you so much for reading

Engine

TTX Tier 3 (2007-) - XTX4 - 190

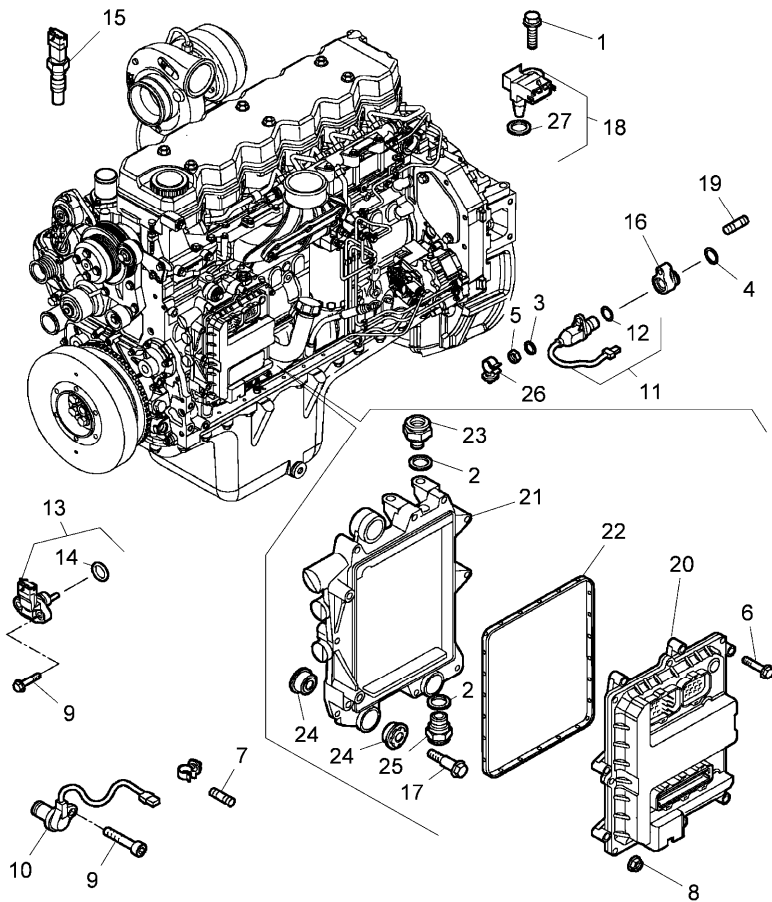
A-05
19



A0519

Electronic control unit

XTX4\00006707.png



Inglese

- 21 3689086M1 1 Support
- 22 3689053M1 1 Gasket
- 23 704894A1 1 Coupler
- 24 3689019M1 6 Spacer
- 25 3688650M1 1 Union
- 26 705180A1 2 Clip
- 27 4206392M1 1 O ring

- ! This is a component of an assembly
- ◄ Length
- Replacement
- A Speed
- B Oil pressure
- C Temperature
- D Air pressure

Engine

TTX Tier 3 (2007-) - XTX4 - 190

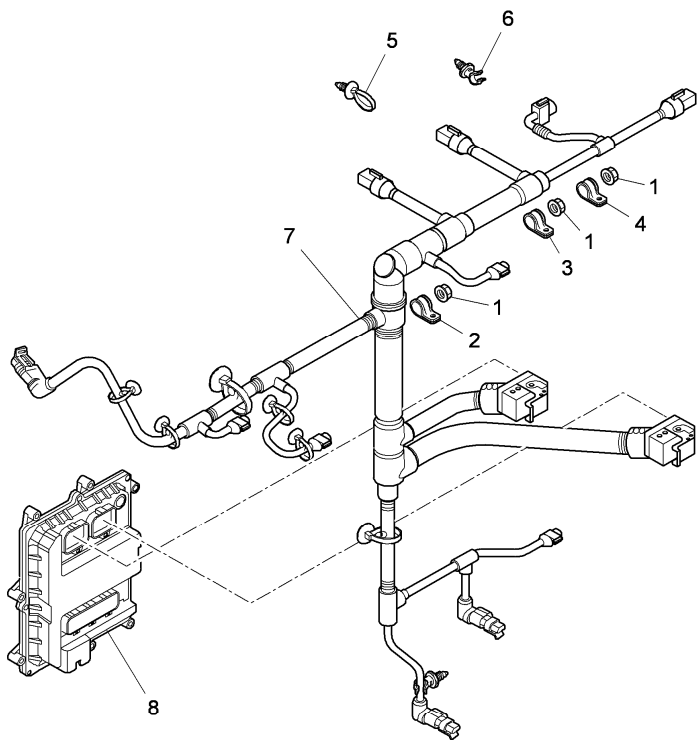
XTX4\00006710.png

A-05
20



A0520

Engine wiring



- 1 3688947M1
- 2 714911A1
- 3 3689001M1 ● 704593A1(1)
- 4 704594A1
- 5 707369A1
- 6 705180A1
- 7 714718A1
- 8 ◁ A-05 19 20

- ◁ See page - reference number
- Replacement

Inglese

- 3 Nut
- 1 Stirrup
- 1 Stirrup
- 1 Stirrup
- 1 Clip
- 1 Clip
- 1 Harness
- 1 Electronic unit control

<https://www.ebooklibonline.com>

Hello dear friend!

Thank you very much for reading.

Enter the link into your browser.

The full manual is available for immediate download.

<https://www.ebooklibonline.com>