

Engine

T series tier 3 (2007-2010) - CP02 - T 80 f-m

CP02\000020625.png

A-01
01



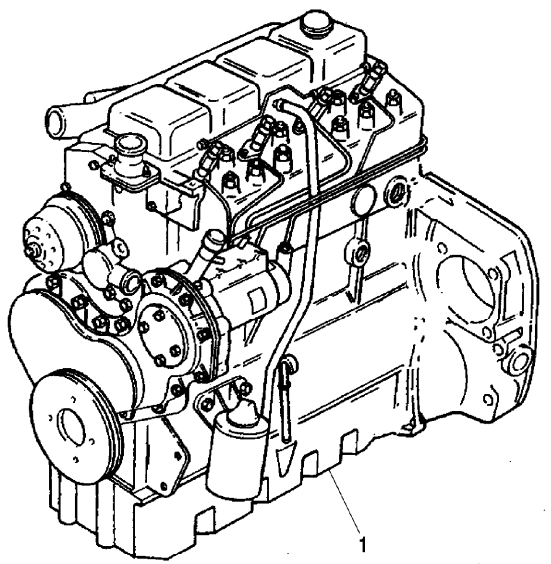
A0101

Engine assembly

Inglese

- 1 3693231M91 ● N.L.S.(1)
54,5 kw
- Replacement

1 Engine



Engine

T series tier 3 (2007-2010) - CP02 - T 80 f-m

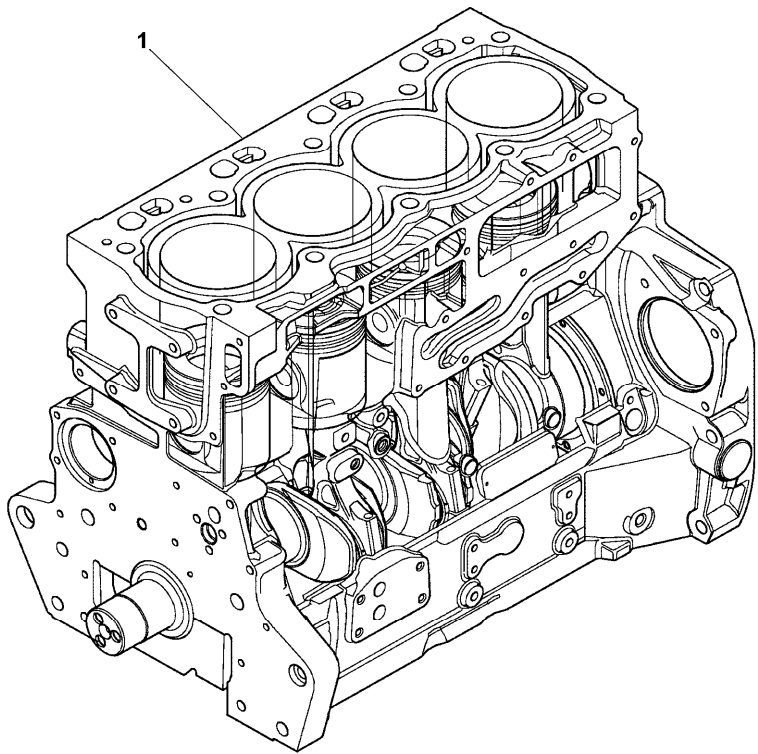
CP02\000015070.png

A-01
02



A0102

Short engine



Inglese

- | | | | | | |
|---|---------|--|----------------------------------|---|----------------|
| 1 | NK40010 | | U491477 t | 1 | Cylinder block |
| | | | 3115A141(1),
32186146(3), NK4 | | |
| 1 | NK40017 | | U491478 t | 1 | Cylinder block |

- From serial or engine number
- Up to serial or engine number
- Replacement

Engine

T series tier 3 (2007-2010) - CP02 - T 80 f-m

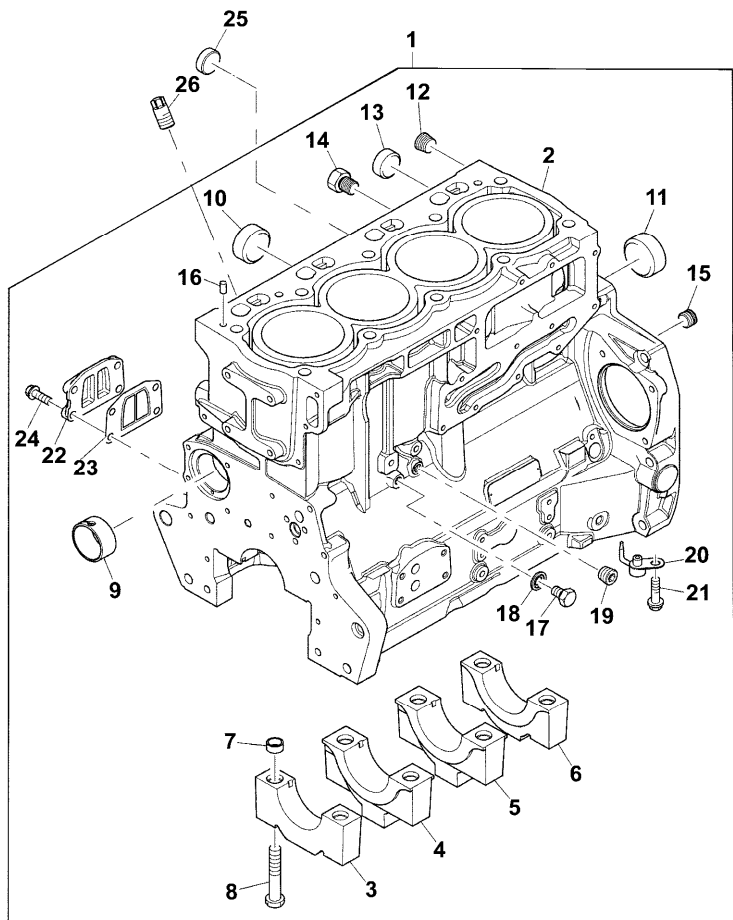
**A-01
03**



A0103

Cylinder block

CP02\000015071.png



		Inglese
1	A	1 Kit
2	!	1 Cylinder block
3	➡ Ref.n.1	1 Bearing
4	!	2 Bearing
5	➡ Ref.n.1	1 Bearing
6	!	1 Bearing
7	33142111	10 Manicott
8	32166329	10 Screw
9	3112D071	1 Bush
	● 3112D075(1)	
10	3241A011	2 Plug
11	3241A012	1 Plug
12	0650588	1 Plug
13	0650710	1 Plug
14	32141316	1 Plug
15	3212P008	1 Plug
16	3244A009	2 Dowel
17	2314C049	1 Screw
18	2415D053	1 Washer
19	0650594	1 Plug

<https://www.ebooklibonline.com>

Hello dear friend!

Thank you very much for reading.

Enter the link into your browser.

The full manual is available for immediate download.

<https://www.ebooklibonline.com>

Engine

T series tier 3 (2007-2010) - CP02 - T 80 f-m

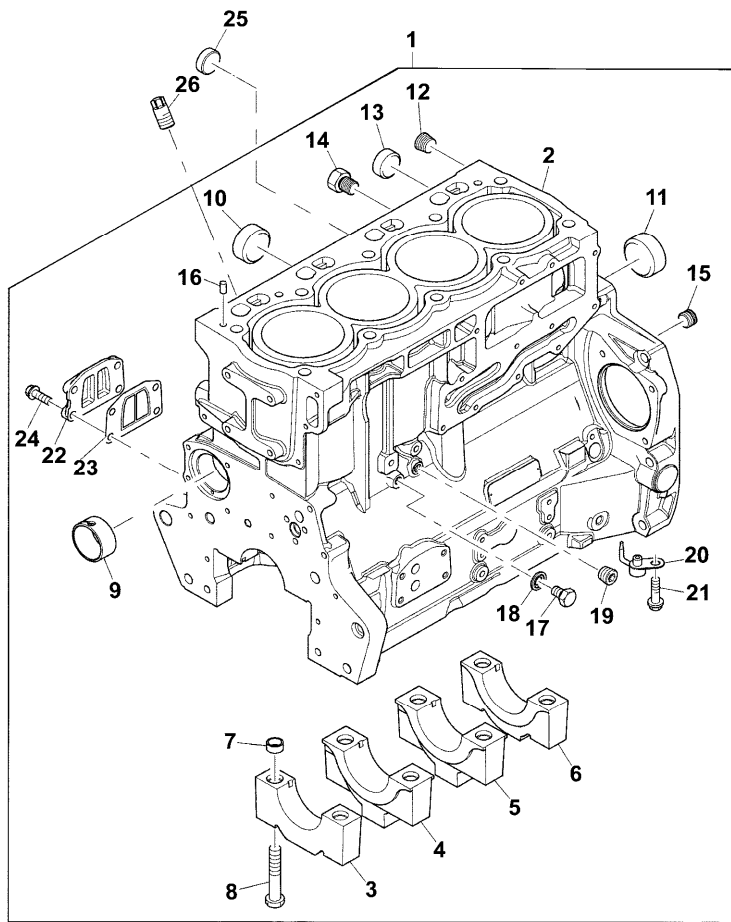
A-01
03



A0103

Cylinder block



CP02\000015071.png



Inglese

20	2113A003	!	1
21	2314F001	!	1
22	3753A071	!	1
23	3688A041	!	1
24	2314H034	!	1
25	2485A108		1
26	3212V006		1

4	Atomiser
4	Screw
1	Coperch.
1	Ring
4	Screw
1	Plug
1	Plug

- ! This is a component of an assembly
-  Not serviced, order
-  Replacement
- A To be advised

Engine

T series tier 3 (2007-2010) - CP02 - T 80 f-m

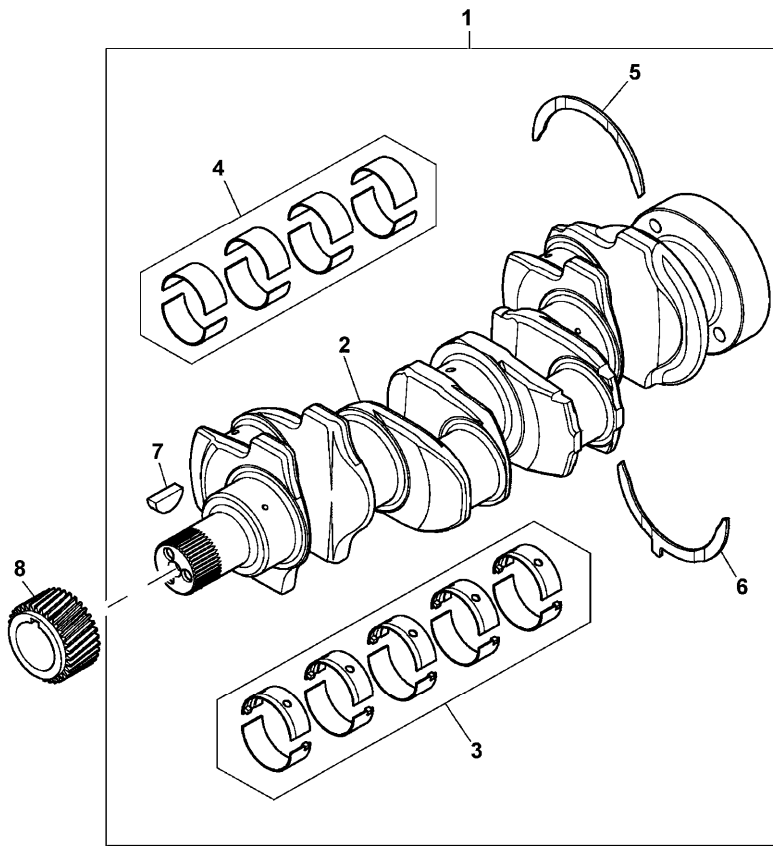
CP02\000015073.png

A-01
04



A0104

Camshaft



		Inglese	
1	ZZ90222	➔ U491476 t	1 Kit
		● ZZ90239(1)	
1	ZZ90237	➔ U491477 t	1 Shaft
2		! 1	1 Shaft
		➔ Ref.n.1	
3	U5MB0018	! 1	1 Kit
		● U5MB0033(1)	
		T-A 15:0	
3	U5MB0018A	! 1	1 Kit
		⚡ (+) 0.010"	
		● U5MB0033A(1)	
		T-A 15:0	
3	U5MB0018B	! 1	1 Kit
		⚡ (+) 0.020"	
		● U5MB0033B(1)	
		T-A 15:0	
3	U5MB0018C	! 1	1 Kit
		⚡ (+) 0.030"	
		● N.L.A.(1)	
		T-A 15:0	
4	T400002	! 1	1 Kit
		➔ U491477 t	
		● T410927(1)	
4	U5ME0026	! 1	1 Kit
		➔ U491476 t	
		● U5ME0034(1)	

Engine

T series tier 3 (2007-2010) - CP02 - T 80 f-m

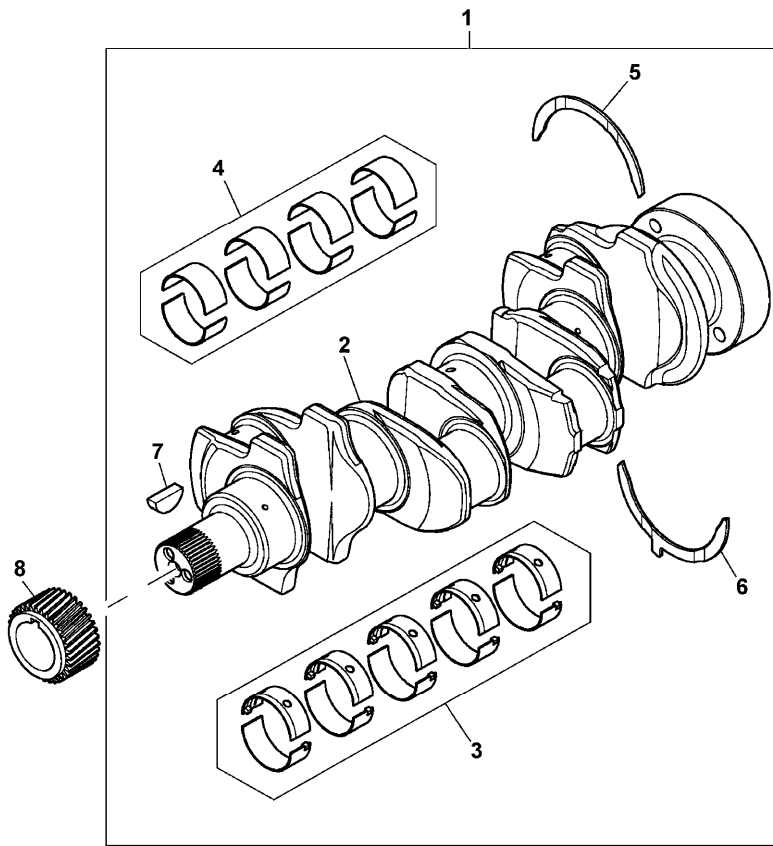
A-01
04



A0104

Camshaft

CP02\000015073.png



Inglese

4	U5ME0026A	!	1	1 Kit
		⚡	(+) 0.25mm	
		➔	U491476 t	
		●	U5ME0034A(1)	
4	U5ME0026B	!	1	1 Kit
		⚡	(+) 0.50mm	
		➔	U491476 t	
		●	U5ME0034B(1)	
4	U5ME0026C	!	1	1 Kit
		⚡	(+) 0.75mm	
		➔	U491476 t	
		●	U5ME0034C(1)	
5	31137312	!	1	2 Ring
		⚡	(+) 0.007"	
		T-A	15:0	
5	31137551	!	1	2 Washer
		T-A	15:0	
6	31137322	!	1	2 Ring
		⚡	(+) 0.007"	
		T-A	15:0	
6	31137561	!	1	2 Washer
		T-A	15:0	
7	0500012	!	1	1 Key
		T-A	10:0	
8	3117C221	T-A	10:0	1 Gear

! This is a component of an assembly

Engine

A-01
04

Camshaft

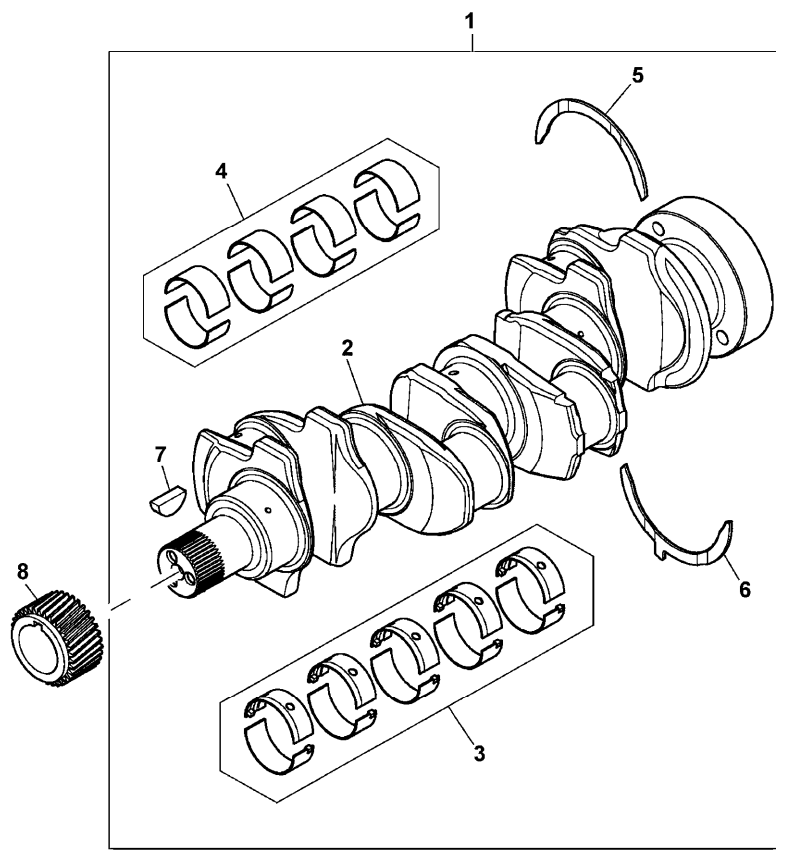
T series tier 3 (2007-2010) - CP02 - T 80 f-m



A0104

CP02\000015073.png

- From serial or engine number
- Up to serial or engine number
- Not serviced, order
- Shim
- Replacement
- T-A Replacement



Engine

T series tier 3 (2007-2010) - CP02 - T 80 f-m

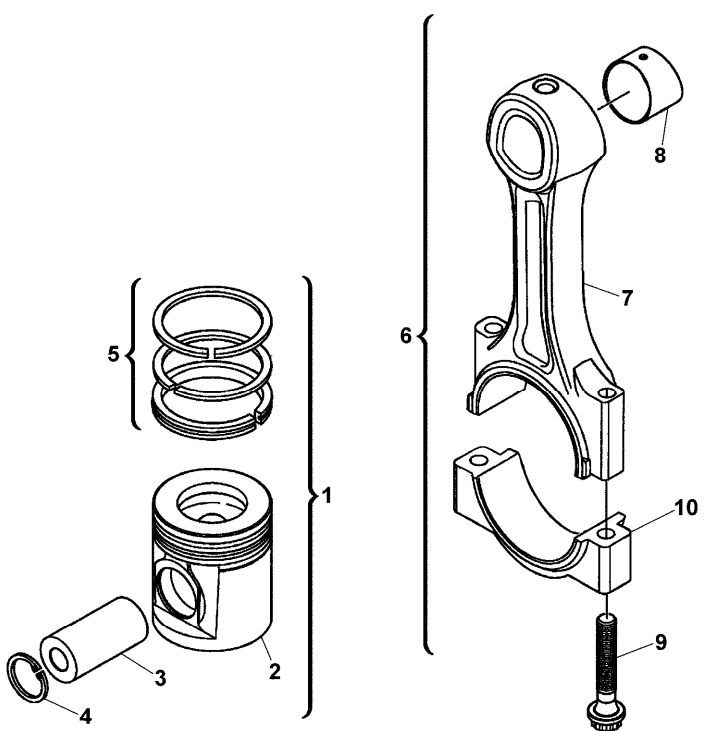
A-01
05



A0105

Pistons and connecting rods

CP02\000032.901.png



		Inglese
1	U5PR0063	4 Kit
2	! 1	1 Piston
	➡ Ref.n.1	
3	! 1	1 Pin
	➡ Ref.n.1	
4	2721332 ! 1	2 Ring
5	UPRK0003 ! 1	1 Kit
	(X) 0.2.5.	
	T-A 11:25	
6	4115C311 ➡ U056074 t	4 Kit
	A	
	T-A 14:0	
6	4115C312 ➡ U056074 t	4 Kit
	B	
	T-A 14:0	
6	4115C313 ➡ U056074 t	4 Kit
	C	
	T-A 14:0	
6	4115C314 ➡ U056074 t	4 Kit
	D	
	T-A 14:0	
6	4115C315 ➡ U056074 t	4 Kit
	E	
	T-A 14:0	

Engine

T series tier 3 (2007-2010) - CP02 - T 80 f-m

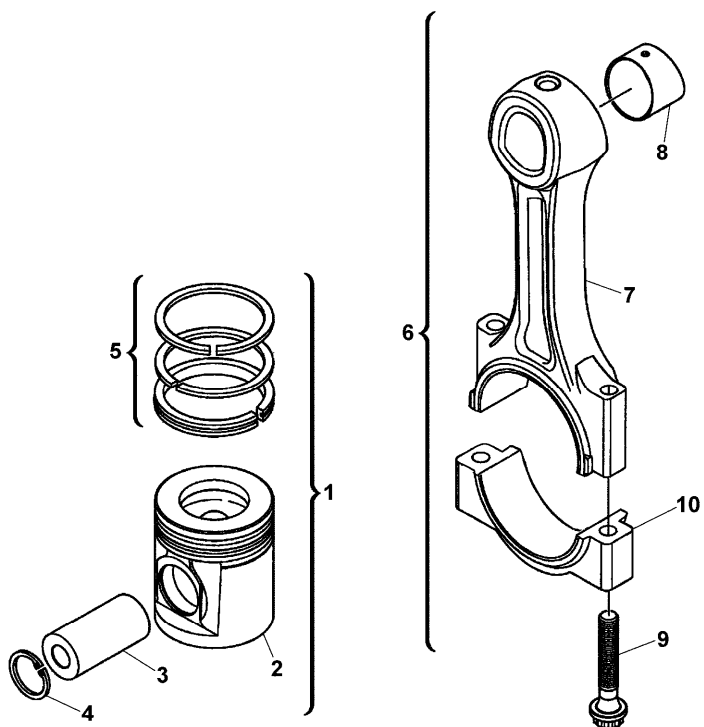
A-01
05



A0105

Pistons and connecting rods

CP02\000032.901.png



		Inglese	
6	4115C316	➡ U056074 t F T-A 14:0	4 Kit
6	4115C361	➡ U056075 t A	4 Conrod
6	4115C362	➡ U056075 t B	4 Conrod
6	4115C363	➡ U056075 t C	4 Conrod
6	4115C364	➡ U056075 t D	4 Conrod
6	4115C365	➡ U056075 t E	4 Conrod
6	4115C366	➡ U056075 t F	4 Conrod
7	!	6 ➡ Ref.n.6	1 Conrod
8	3112A005	! 6 T-A 14:0	1 Bush
9	3212V003	! 6 ➡ U056074 t	2 Screw
9	T400001	➡ U056075 t	2 Screw
10	!	6 ➡ Ref.n.6	1 Guard

! This is a component of an assembly

➡ From serial or engine number

Engine

T series tier 3 (2007-2010) - CP02 - T 80 f-m

A-01
05

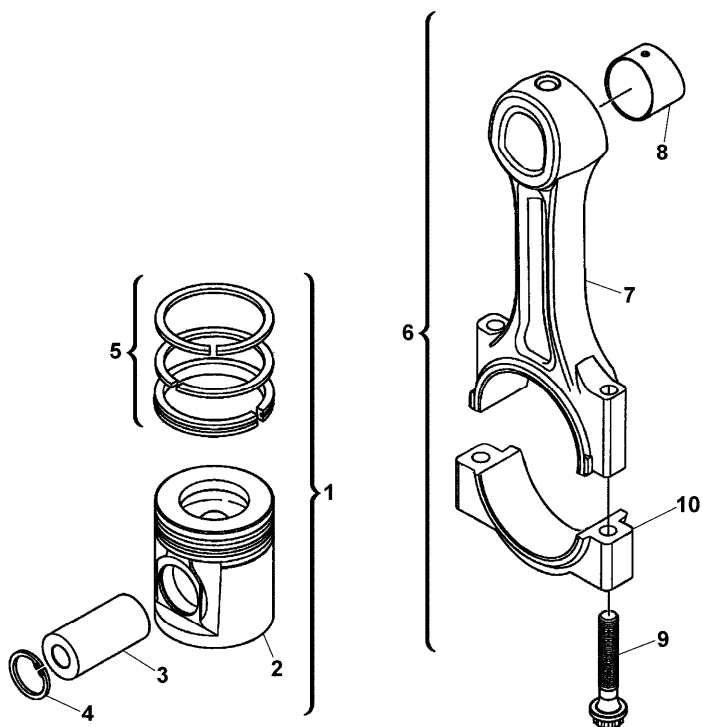


A0105

Pistons and connecting rods

CP02\000032.901.png

- ➔ Up to serial or engine number
- ➡ Not serviced, order
- (X) Qty per tractors sold (aa.bbb.ccc.ddd) (aa) for 1,(bbb) 2-10 (ccc) 11-25 (ddd) 26-50
- T-A Replacement
- A Red
- B Orange
- C White
- D Green
- E Purple
- F Blue



Engine

T series tier 3 (2007-2010) - CP02 - T 80 f-m

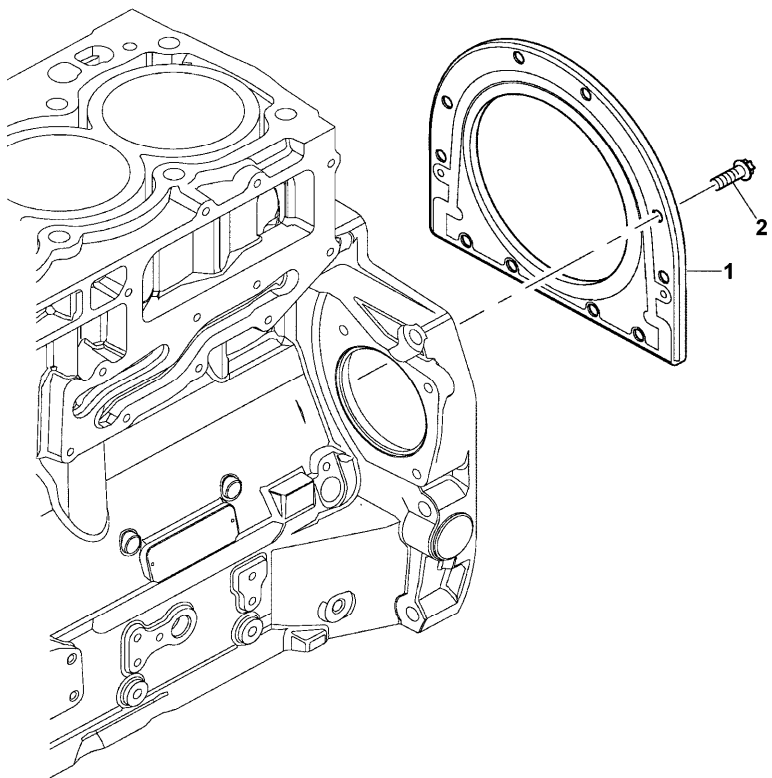
CP02\000015074.png

A-01
06



A0106

End cover



1 2418F704 T-A 9:0

2 3211C002

T-A Replacement

Inglese

1 Housing

6 Screw

Engine

T series tier 3 (2007-2010) - CP02 - T 80 f-m

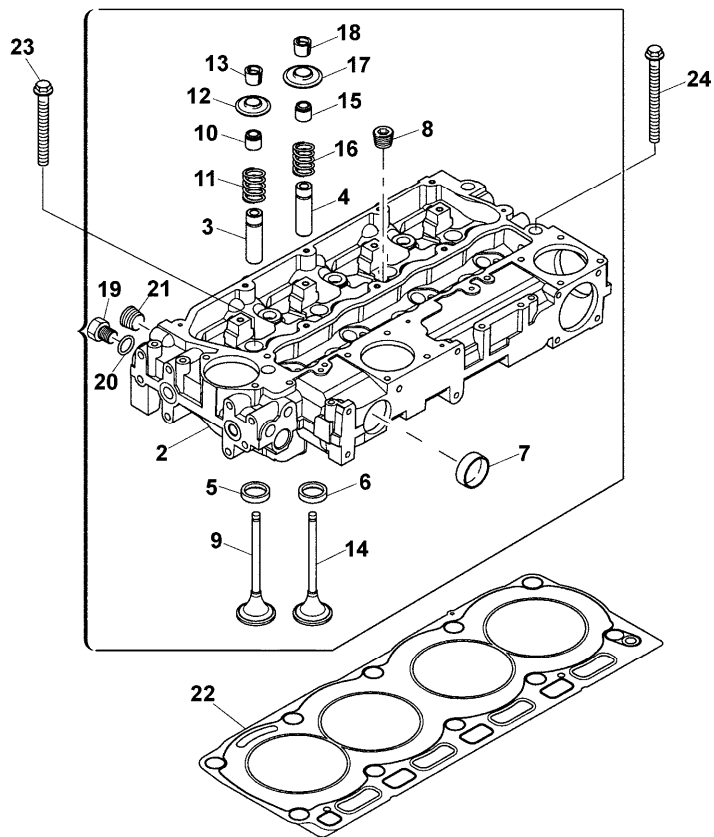
CP02\000020527.png

**A-01
07**



A0107

Cylinder head



		Inglese
1	C	1 Cylinder head
2	!	1 Head
3	➡ Ref.n.1	
3	!	4 Guide
	● 3313A012(4)	
	T-A 7:50	
4	!	4 Guide
	● 3313A012(4)	
	T-A 7:50	
5	!	4 Insert
6	!	4 Insert
7	!	2 Plug
8	!	4 Plug
9	!	4 Valve
10	!	4 Ring
	A	
11	!	4 Spring
	● T417479(4)	
12	!	4 Coperch.
13	!	8 Collar
14	!	4 Valve
15	!	4 Ring
	B	
16	!	4 Spring
	● T417479(4)	

Engine

T series tier 3 (2007-2010) - CP02 - T 80 f-m

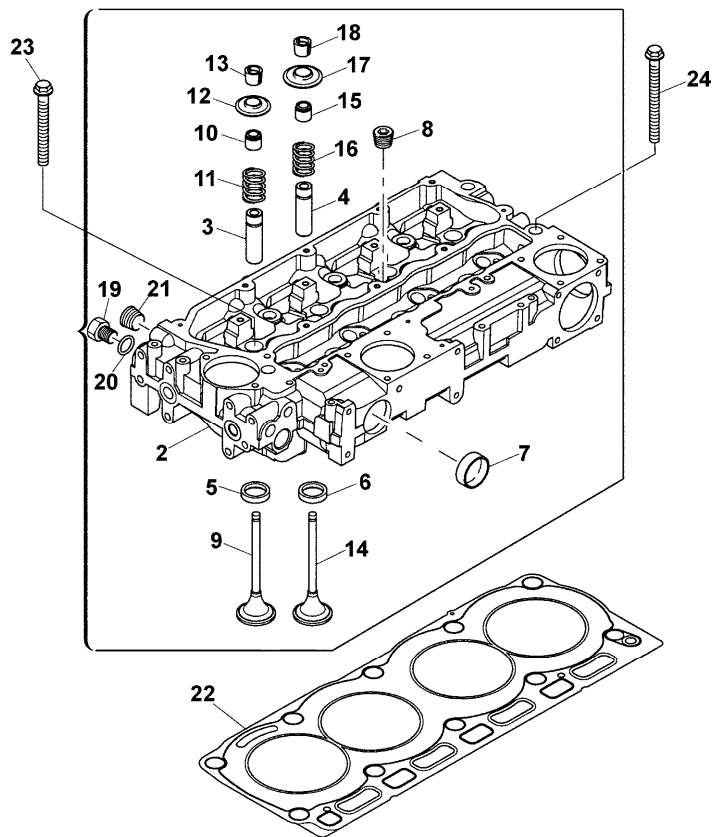
A-01
07



A0107

Cylinder head

CP02\000020527.png



- 17 3342A021 ! 1
- 18 2714A002 ! 1
- 19 3278A006 ! 1
- 20 2415H003 ! 1
- 21 2431154 ! 1
- 22 3681E051
- 23 3218A011
- 24 3218A012

Inglese

- 4 Coperch.
- 8 Collar
- 1 Plug
- 1 Ring
- 2 Plug
- 1 Gasket
- 7 Screw
- 3 Screw

- ! This is a component of an assembly
- ▣ Not serviced, order
- Replacement
- T-A Replacement
- A Green
- B Brown
- C To be advised

Engine

T series tier 3 (2007-2010) - CP02 - T 80 f-m

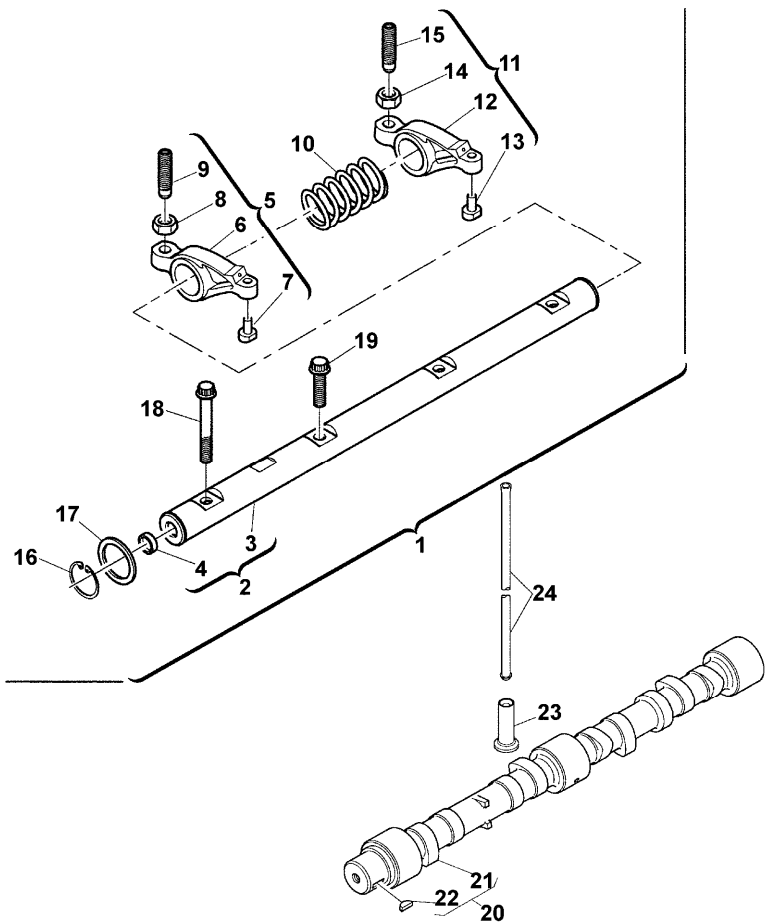
CP02\000032.902.png

A-01
08



A0108

Rocker shaft



		Inglese
1	4115R613	1 Axle
2	4115R703	1 Shaft
	T-A 4:0	
3	!	1 Shaft
	➡ Ref.n.2	
4	2485A104	2 Plug
5	4115R319	4 Lever
6	!	1 Rocker
	➡ Ref.n.5	
7	!	1 Pad
	➡ Ref.n.5	
8	3331A006	1 Nut
9	3211C004	1 Screw
10	3174A015	3 Spring
	T-A 4:0	
11	4115R318	4 Lever
12	!	1 Rocker
	➡ Ref.n.11	
13	!	1 Pad
	➡ Ref.n.11	
14	3331A006	1 Nut
15	3211C004	1 Screw
16	2722A022	2 Ring
17	2134A502	2 Washer
18	2316A901	1 Screw

Engine

T series tier 3 (2007-2010) - CP02 - T 80 f-m

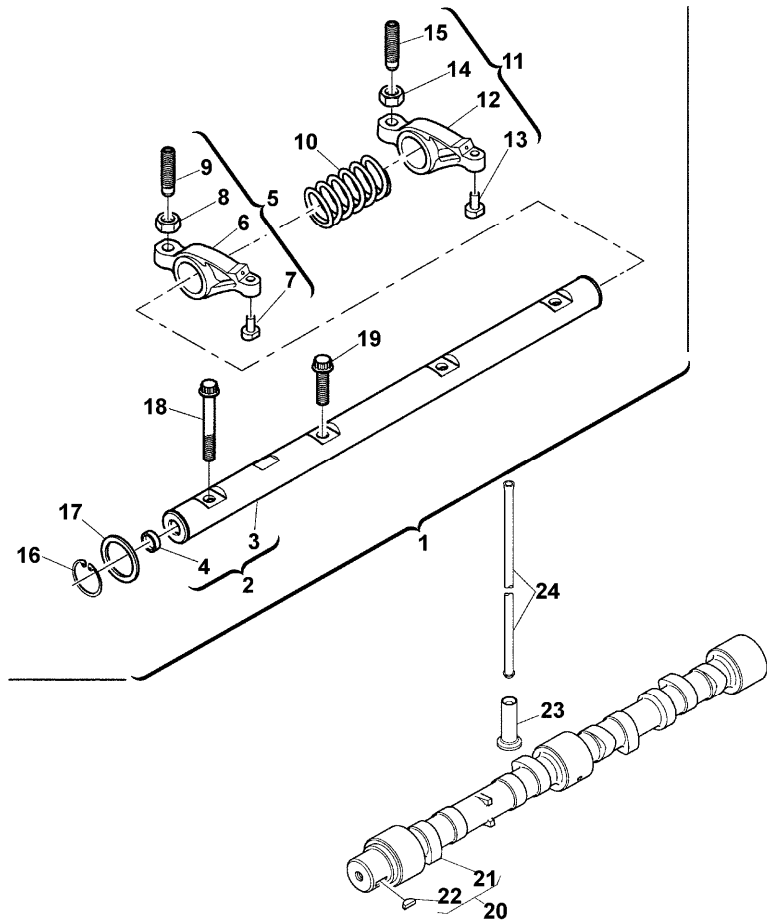
CP02\000032.902.png

A-01
08



A0108

Rocker shaft



Inglese

19	2316A902	!	1	3	Screw
20	4112K031			1	Shaft
21		!	20	1	Shaft
		➡	Ref.n.20		
22	0500012	!	20	1	Key
23	3142U061			8	Tappet
24	3142V011			8	Rod

! This is a component of an assembly
 ➡ Not serviced, order
 T-A Replacement

Engine

T series tier 3 (2007-2010) - CP02 - T 80 f-m

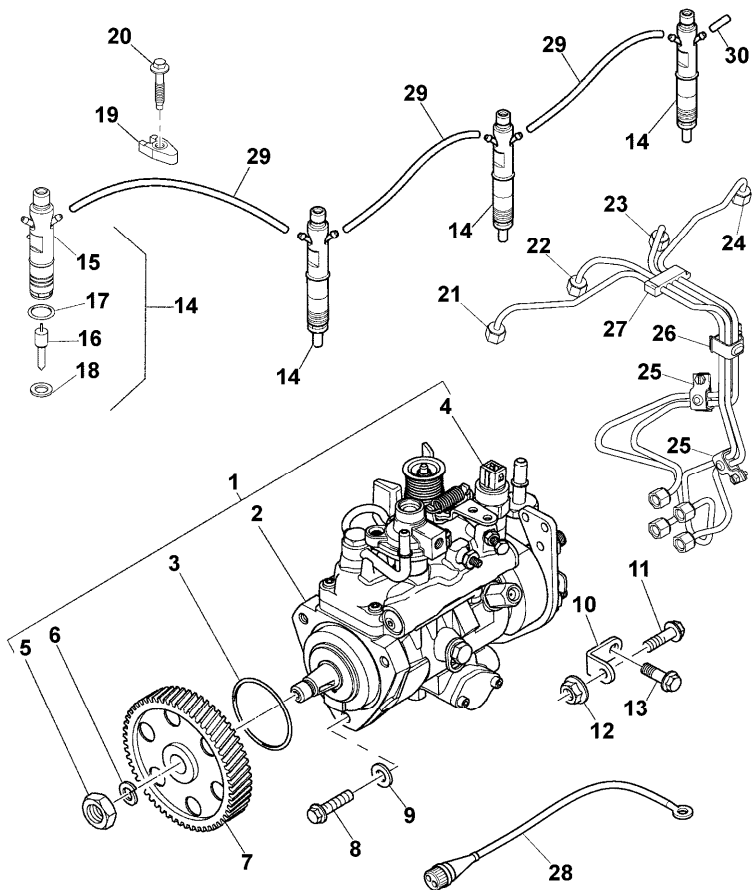
**A-01
09**



A0109

Fuel injection equipment (diesel)

CP02\000032.903.png



1 2644C319/22

2 ! 1

➡ Ref.n.1

3 26420318 ! 1

4 26420469 ! 1

5 2318A108 ! 1

6 K134AF01 ! 1

7 3117L261

8 2314H004

9 2411D008

10 3641A007

11 2314H003

12 2318A603

13 2314J002

14 2645K027

15 ! 14

➡ Ref.n.14

16 ! 14

➡ Ref.n.14

17 26460064 ! 14

18 L311FF02 ! 14

19 3751A241

20 2314W009

21 3525A101

22 3525A102

Inglese

1 Pump

1 Pump

1 Ring

1 Solenoid

1 Nut

1 Washer

1 Gear

3 Screw

6 Washer

1 Stirrup

1 Screw

1 Nut

1 Screw

4 Nozzle

1 Support

1 Nozzle

1 Ring

1 Washer

4 Clamp

4 Screw

1 Pipe

1 Pipe

Engine

T series tier 3 (2007-2010) - CP02 - T 80 f-m

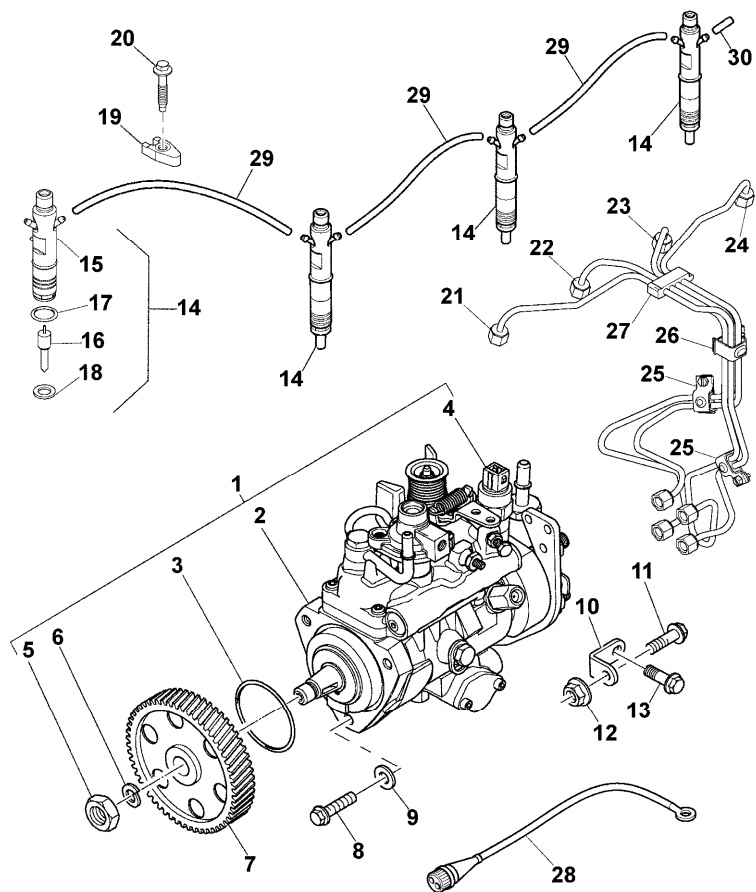
A-01
09



A0109

Fuel injection equipment (diesel)

CP02\000032.903.png



Inglese

- | | | | |
|----|------------|---|---------|
| 23 | 3525A103 | 1 | Pipe |
| 24 | 3525A104 | 1 | Pipe |
| 25 | 2481Y011 | 2 | Clip |
| 26 | 2481Y012 | 1 | Clip |
| 27 | 2646E019 | 1 | Clip |
| 28 | 3673286M91 | 1 | Harness |
| 29 | 2646F501 | 3 | Pipe |
| 30 | 2646E501 | 1 | Cap |

- ! This is a component of an assembly
- 🛠 Not serviced, order

Engine

T series tier 3 (2007-2010) - CP02 - T 80 f-m

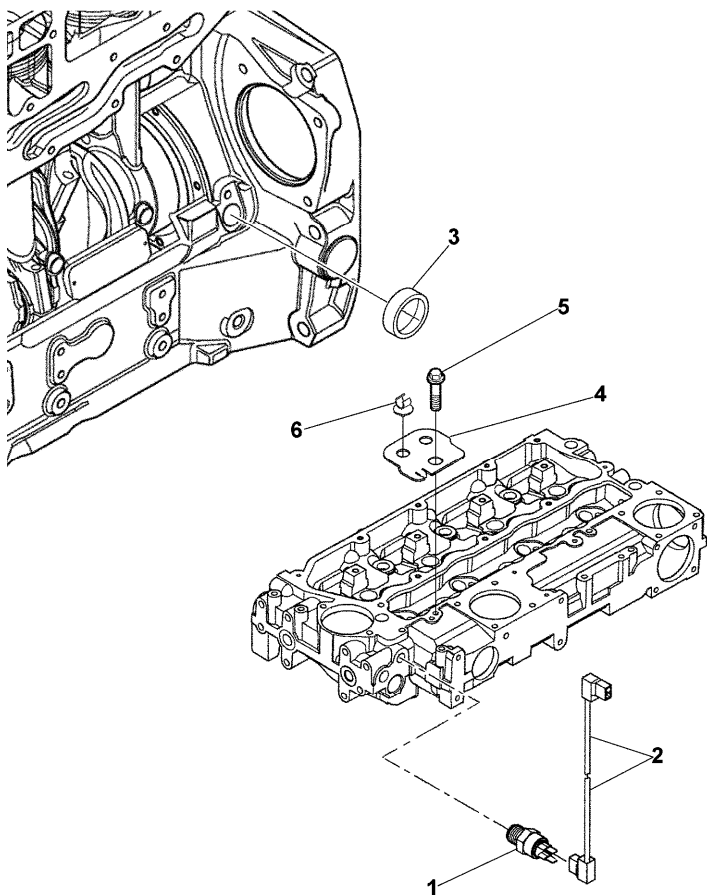
CP02\000032.904.png

A-01
10



A0110

Sensor pickup,start and stop control



1 2848A127 A
T-A 0:50

2 3161C017

3 2485A109

4 3653A017

5 2314H002

6 2481D456

T-A Replacement

A Engine water temperature

Inglese

1 Sensor

1 Cable

1 Plug

1 Stirrup

1 Screw

1 Clip

Engine

T series tier 3 (2007-2010) - CP02 - T 80 f-m

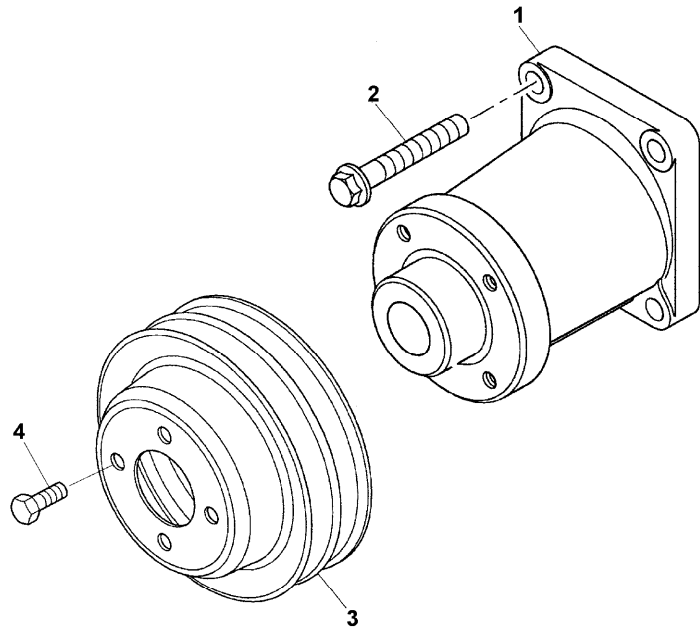
CP02\000015079.png

A-01
11



A0111

Fan-type pulley



- 1 4113K005 T-A 1:75
 - 2 2314J005
 - 3 3115C161
 - 4 2314C044
- T-A Replacement

Inglese

- 1 Housing
- 4 Screw
- 1 Pulley
- 4 Screw

Engine

T series tier 3 (2007-2010) - CP02 - T 80 f-m

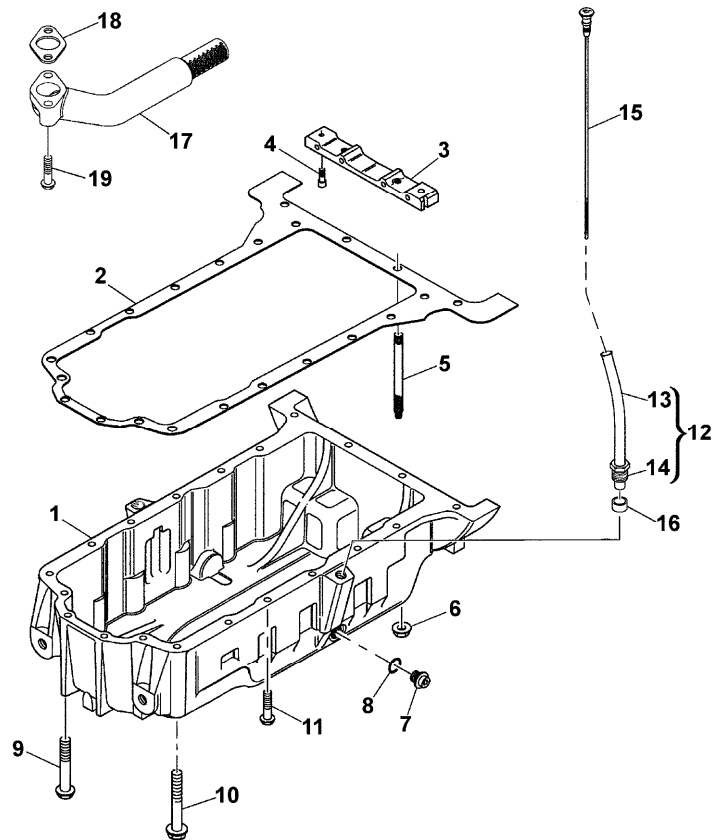
A-01
12



A0112

Lubricating oil sump

CP02\000032.905.png



1	3717E272			
2	3681K036	(X)	1.2.5.	
			T-A	1:50
3	3627P041		T-A	1:50
4	2311D039			
5	3211P013			
6	2318A603			
7	32186405		T-A	0:25
8	2415715		T-A	0:25
9	2314H023			
10	2314H022	●	2314H052(1)	
11	2314H015			
12	3577A125		T-A	0:25
13		!	12	
		▶	Ref.n.12	
14	3353D005	!	12	
15	3178C081		T-A	0:25
16	33812116			
17	3765A091		T-A	1:75
18	36832137		T-A	1:75
19	2314H006			

Inglese

1	Crankcase
1	Gasket
1	Crosspiece
2	Screw
2	Stud
2	Nut
1	Plug
1	Ring
5	Screw
1	Screw
12	Screw
1	Pipe
1	Pipe
1	Nut
1	Rod
1	Olive
1	Pipe
1	Gasket
2	Screw

! This is a component of an assembly

▶ Not serviced, order

● Replacement

(X) Qty per tractors sold (aa.bbb.ccc.ddd) (aa) for 1,(bbb) 2-10 (ccc) 11-25 (ddd) 26-50

T-A Replacement

Engine

T series tier 3 (2007-2010) - CP02 - T 80 f-m

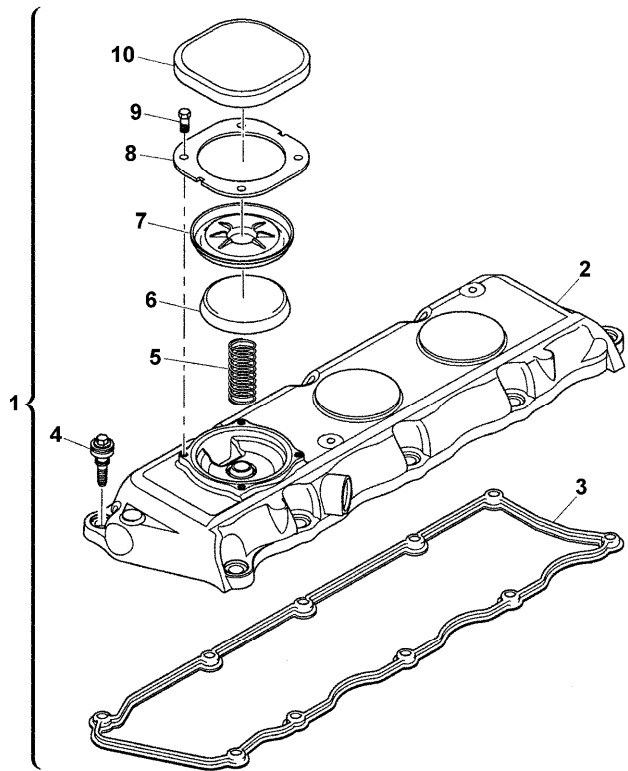
CP02\000032.906.png

A-01
13



A0113

Cylinder head cover



		Inglese	
1	4142X322	● T417513(1)	1 Coperch.
2		! 1	1 Cover
3	3681A055	▣ Ref.n.1	1 Gasket
		(X) 1.2.5.	
		T-A 1:0	
4		! 1	10 Screw
		▣ Ref. n.1	
5	3174A017	! 1	1 Spring
		T-A 0:25	
6	3788A002	! 1	1 Cap
		T-A 0:25	
7	3789A001	! 1	1 Diaphragm
		T-A 0:25	
8	3615A009	! 1	1 Plate
		T-A 0:25	
9	2151A001	! 1	4 Screw
10	3788A003	! 1	1 Cap
		T-A 0:25	
	!	This is a component of an assembly	
	▣	Not serviced, order	
	●	Replacement	
	(X)	Qty per tractors sold (aa.bbb.ccc.ddd) (aa) for 1,(bbb) 2-10 (ccc) 11-25 (ddd) 26-50	
	T-A	Replacement	

Engine

T series tier 3 (2007-2010) - CP02 - T 80 f-m

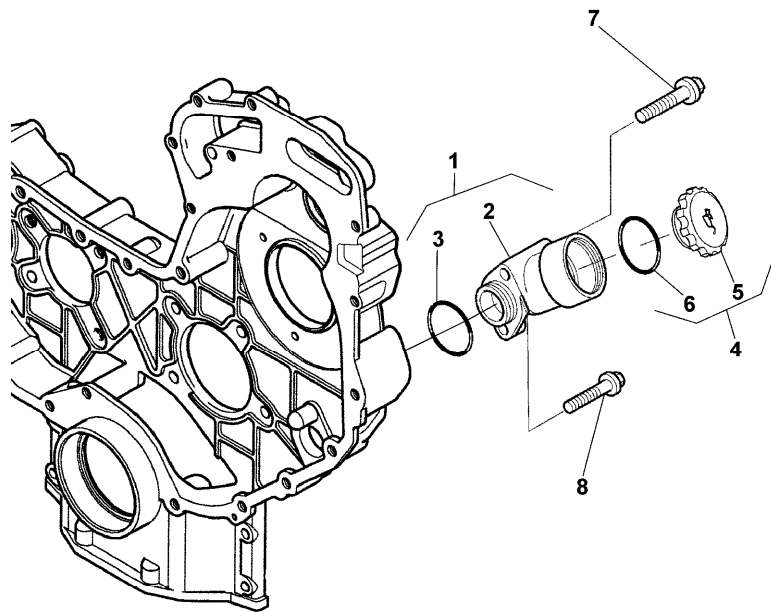
CP02\000032.907.png

**A-01
14**



A0114

Filler



		Inglese	
1	4134C043	● 4134C072(1) T-A 0:25	1 Filler
2		! 1 ➡ Ref.n.1	1 Body
3	2415B148	! 1 T-A 0:25	1 O ring
4	4142X098	! 1 (X) 1.3.5.1 T-A 0:25	1 Plug
5		! 4 ➡ Ref.n.4	1 Plug
6	2415633	! 4 T-A 0:25	1 O ring
7	2314K161		1 Screw
8	2314H005		1 Screw
!		This is a component of an assembly	
➡		Not serviced, order	
●		Replacement	
(X)		Qty per tractors sold (aa.bbb.ccc.ddd) (aa) for 1,(bbb) 2-10 (ccc) 11-25 (ddd) 26-50	
T-A		Replacement	



Suggest:

For more complete manuals. Please go to the home page.

<https://www.ebooklibonline.com>

If the above button click is invalid. Please download this document first, and then click the above link to download the complete manual.

Thank you so much for reading

Engine

T series tier 3 (2007-2010) - CP02 - T 80 f-m

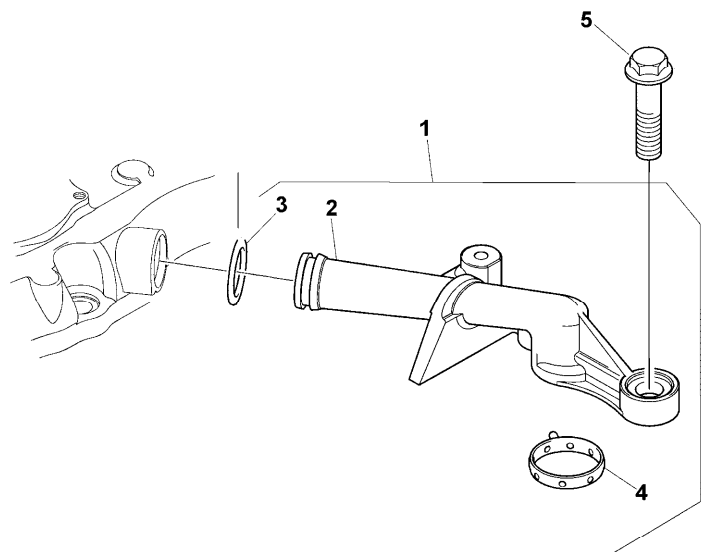
CP02\000015080.png

A-01
15



A0115

Breather



1 4134K021

2 ! 1

➡ Ref.n.1

3 2415A068 ! 1

4 2415H701 ! 1

5 2314F005

! This is a component of an assembly

➡ Not serviced, order

Inglese

1 Pipe

1 Pipe

1 Ring

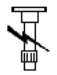
1 Ring

2 Screw

Engine

T series tier 3 (2007-2010) - CP02 - T 80 f-m

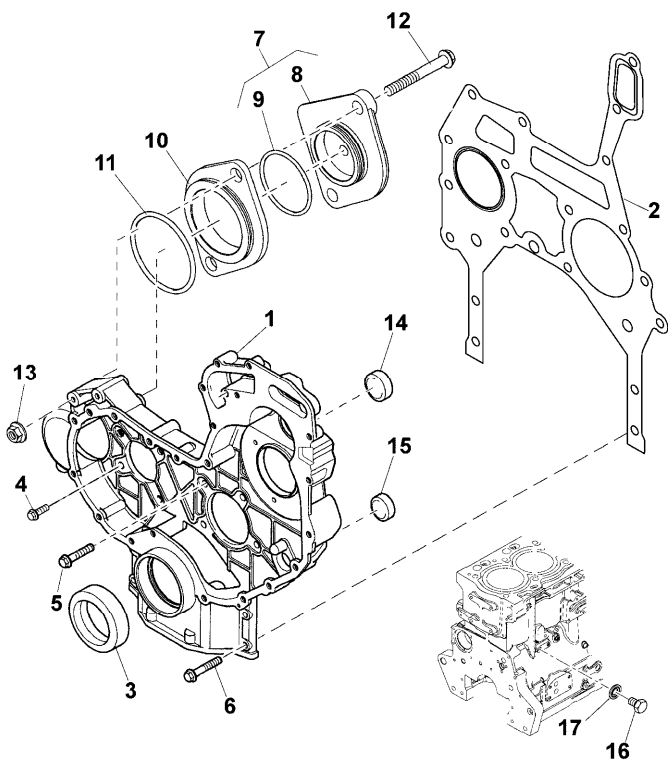
**A-01
16**



A0116

Gasket sets

CP02\000032.908.png



		Inglese
1	3716C581	1 Housing
2	3681P053	1 Gasket
3	2418F437	1 Seal
4	2314H003	6 Screw
5	2314H006	2 Screw
6	2314H034	4 Screw
7	4148K012	1 Plate
8	!	7
	➡	Ref.n.7
9	2415H515	! 7
10	3617A021	1 Ring
11	2415H516	1 Disc
12	2314J014	1 O ring
13	2318A604	2 Screw
14	2485A124	2 Nut
15	2485A118	1 Plug
16	2314C049	1 Plug
17	2415D053	1 Screw
!	This is a component of an assembly	
➡	Not serviced, order	
T-A	Replacement	

<https://www.ebooklibonline.com>

Hello dear friend!

Thank you very much for reading.

Enter the link into your browser.

The full manual is available for immediate download.

<https://www.ebooklibonline.com>