

Engine

T series tier 3 (2007-2010) - CP02 - T 105 f-m-c

CP02\00005170.png

A-01
01



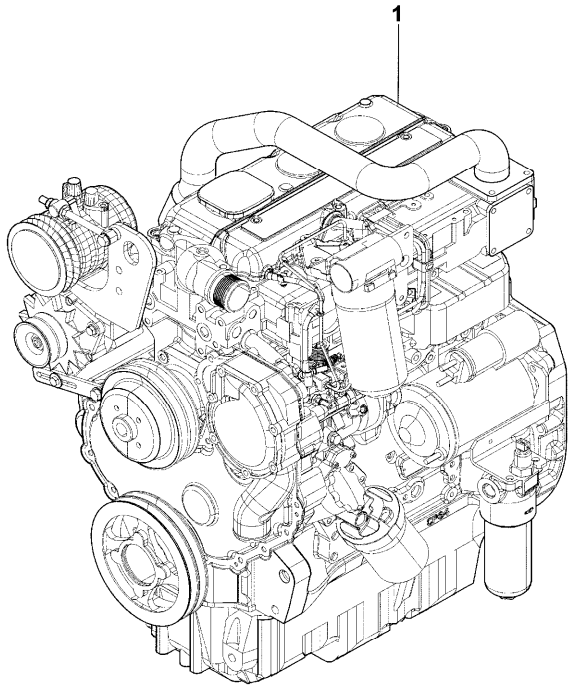
A0101

Engine assembly

Inglese

1 3692620M91

72,5 kw - perkins r 1 Engine



Engine

T series tier 3 (2007-2010) - CP02 - T 105 f-m-c

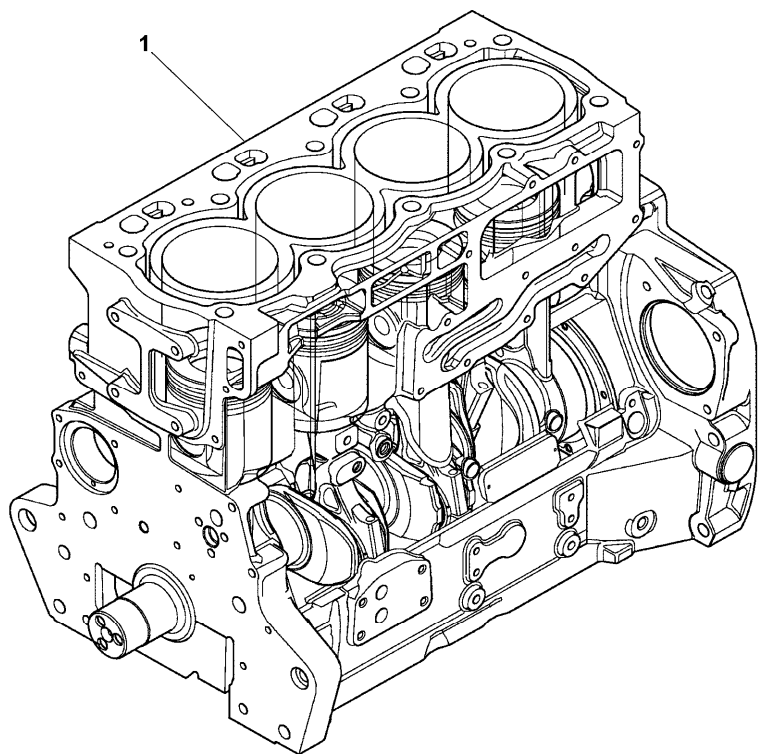
CP02\000015070.png

A-01
02



A0102

Short engine



Inglese

- | | | | | | |
|---|---------|--|----------------------------------|---|--------------|
| 1 | NM40008 | | U056074 t | 1 | Short engine |
| | | | 3115A141(1),
32186146(3), NM4 | | |
| 1 | NM40019 | | U056075 t | 1 | Short engine |

- From serial or engine number
- Up to serial or engine number
- Replacement

Engine

T series tier 3 (2007-2010) - CP02 - T 105 f-m-c

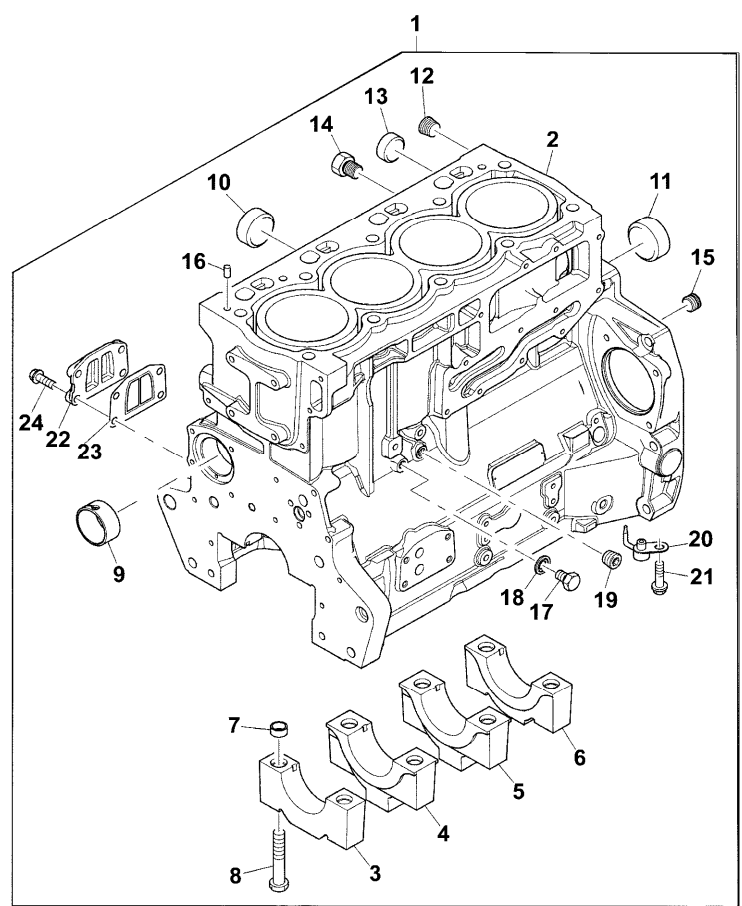
CP02\000015072.png

**A-01
03**



A0103

Cylinder block



		Inglese
1	A	1 Kit
2	!	1 Cylinder block
3	➡ Ref.n.1	1 Bearing
4	!	2 Bearing
5	➡ Ref.n.1	1 Bearing
6	!	1 Bearing
7	33142111	10 Manicott
8	32166329	10 Screw
9	3112D071	1 Bush
	● 3112D075(1)	
10	3241A011	2 Plug
11	3241A012	1 Plug
12	0650588	1 Plug
13	0650710	1 Plug
14	32141316	1 Plug
15	3212P008	1 Plug
16	3244A009	2 Dowel
17	2314C049	1 Screw
18	2415D053	1 Washer
19	0650594	1 Plug

<https://www.ebooklibonline.com>

Hello dear friend!

Thank you very much for reading.

Enter the link into your browser.

The full manual is available for immediate download.

<https://www.ebooklibonline.com>

Engine

T series tier 3 (2007-2010) - CP02 - T 105 f-m-c

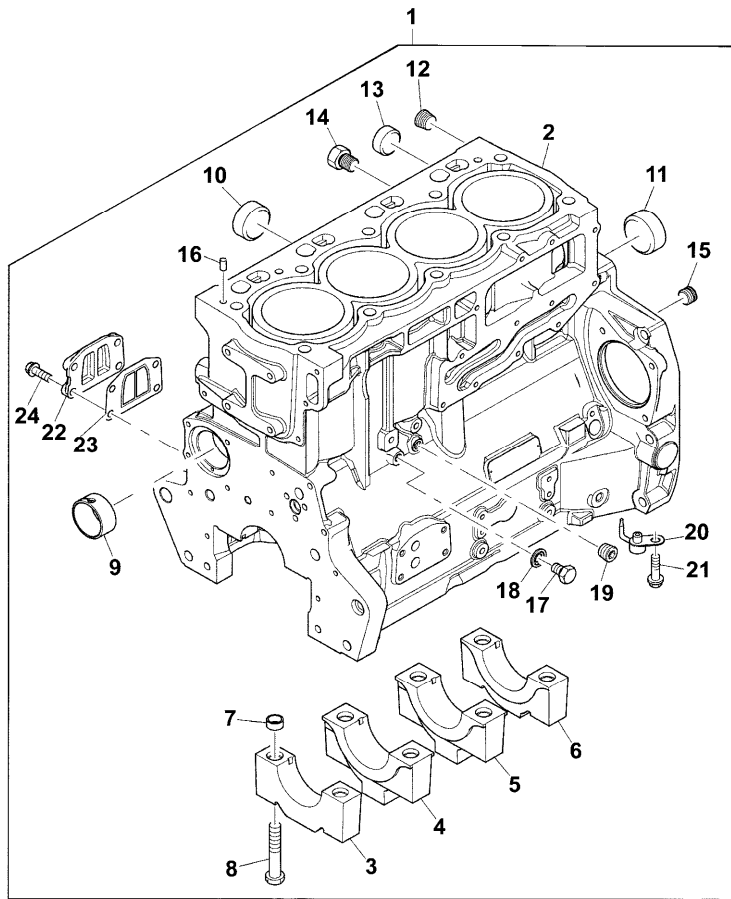
CP02\000015072.png

**A-01
03**



A0103

Cylinder block



- 20 2113A003 ! 1
- 21 2314F001 ! 1
- 22 3753A071 ! 1
- 23 3688A041 ! 1
- 24 2314H034 ! 1

! This is a component of an assembly

🔧 Not serviced, order

● Replacement

A To be advised

Inglese

- 4 Atomiser
- 4 Screw
- 1 Coperch.
- 1 Ring
- 4 Screw

Engine

T series tier 3 (2007-2010) - CP02 - T 105 f-m-c

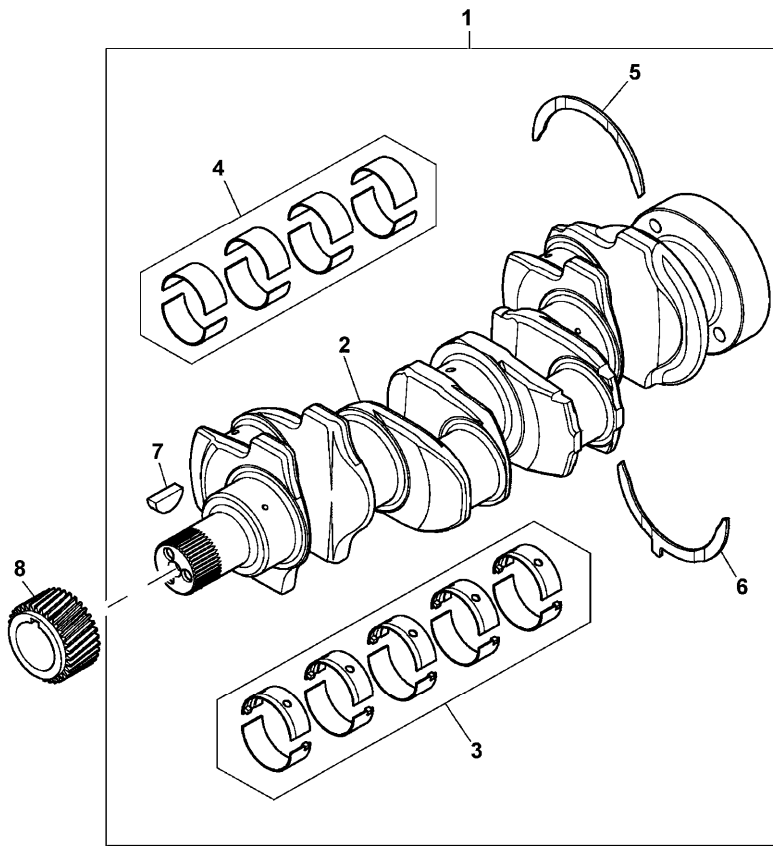
CP02\000015073.png

A-01
04



A0104

Camshaft



		Inglese	
1	ZZ90222	➔ U491476 t	1 Kit
		● ZZ90239(1)	
1	ZZ90237	➔ U491477 t	1 Shaft
2		! 1	1 Shaft
		➔ Ref.n.1	
3	U5MB0018	! 1	1 Kit
		● U5MB0033(1)	
		T-A 15:0	
3	U5MB0018A	! 1	1 Kit
		⚡ (+) 0.010"	
		● U5MB0033A(1)	
		T-A 15:0	
3	U5MB0018B	! 1	1 Kit
		⚡ (+) 0.020"	
		● U5MB0033B(1)	
		T-A 15:0	
3	U5MB0018C	! 1	1 Kit
		⚡ (+) 0.030"	
		● N.L.A.(1)	
		T-A 15:0	
4	T400002	! 1	1 Kit
		➔ U491477 t	
		● T410927(1)	
4	U5ME0026	! 1	1 Kit
		➔ U491476 t	
		● U5ME0034(1)	

Engine

T series tier 3 (2007-2010) - CP02 - T 105 f-m-c

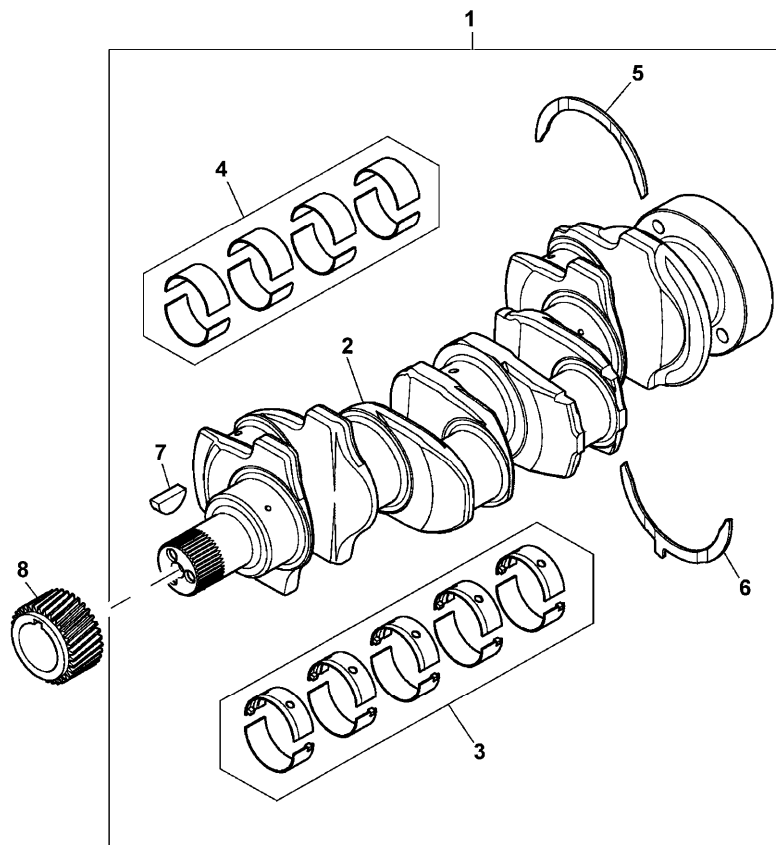
CP02\000015073.png

A-01
04



A0104

Camshaft



		Inglese	
4	U5ME0026A	! 1 X (+) 0.25mm U491476 t U5ME0034A(1)	1 Kit
4	U5ME0026B	! 1 X (+) 0.50mm U491476 t U5ME0034B(1)	1 Kit
4	U5ME0026C	! 1 X (+) 0.75mm U491476 t U5ME0034C(1)	1 Kit
5	31137312	! 1 X (+) 0.007" T-A 15:0	2 Ring
5	31137551	! 1 T-A 15:0	2 Washer
6	31137322	! 1 X (+) 0.007" T-A 15:0	2 Ring
6	31137561	! 1 T-A 15:0	2 Washer
7	0500012	! 1 T-A 10:0	1 Key
8	3117C221	T-A 10:0	1 Gear
! This is a component of an assembly			

Engine

T series tier 3 (2007-2010) - CP02 - T 105 f-m-c

A-01
04

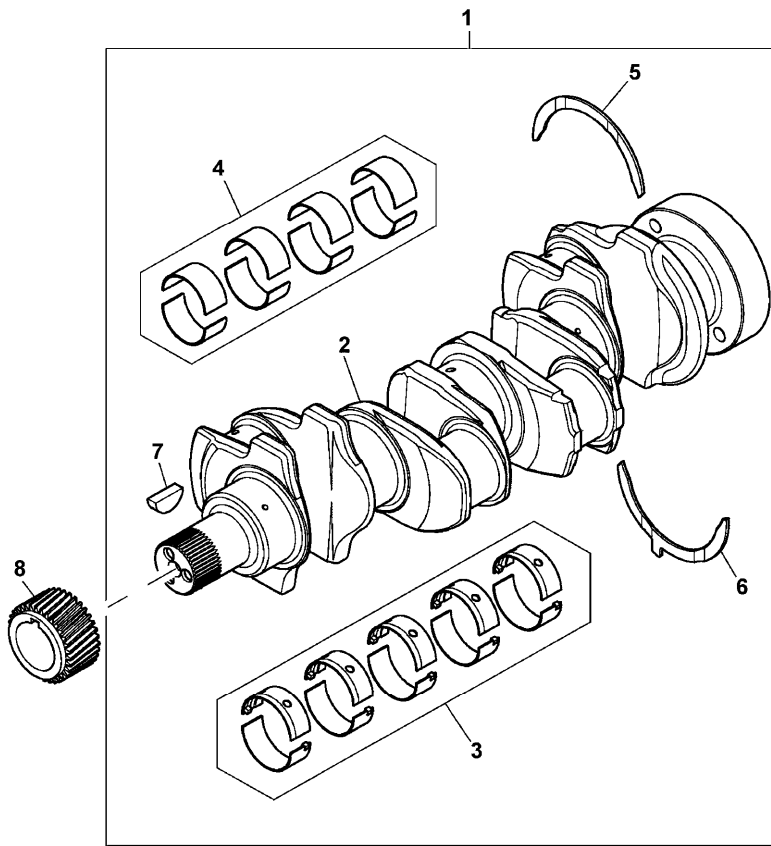


A0104

Camshaft

CP02\000015073.png

- From serial or engine number
- Up to serial or engine number
- Not serviced, order
- Shim
- Replacement
- T-A Replacement



Engine

T series tier 3 (2007-2010) - CP02 - T 105 f-m-c

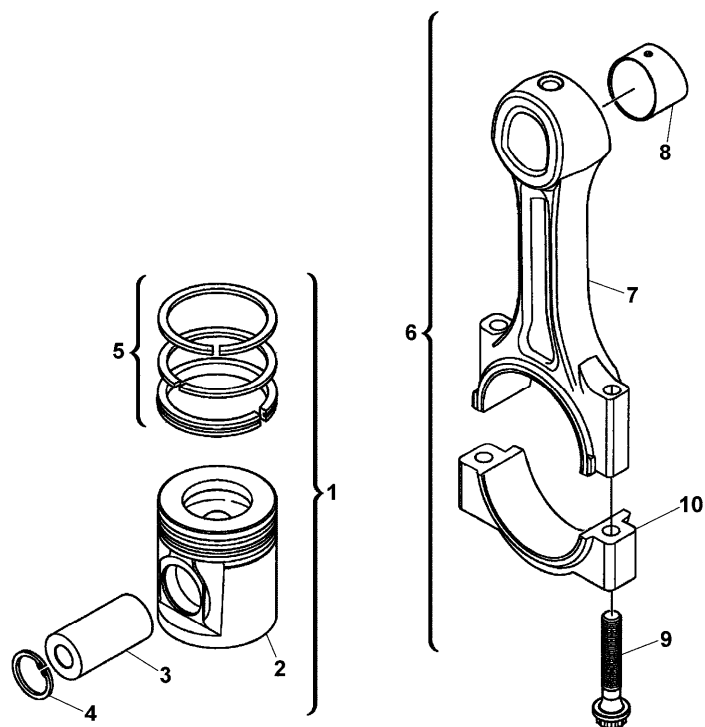
**A-01
05**



A0105

Pistons and connecting rods

CP02\000032.901.png



		Inglese
1	U5PR0063	4 Kit
2	! 1	1 Piston
	➡ Ref.n.1	
3	! 1	1 Pin
	➡ Ref.n.1	
4	2721332 ! 1	2 Ring
5	UPRK0003 ! 1	1 Kit
	(X) 0.2.5.	
	T-A 11:25	
6	4115C311 ➡ U491477 t	4 Kit
	A	
	T-A 14:0	
6	4115C312 ➡ U491477 t	4 Kit
	B	
	T-A 14:0	
6	4115C313 ➡ U491477 t	4 Kit
	C	
	T-A 14:0	
6	4115C314 ➡ U491477 t	4 Kit
	D	
	T-A 14:0	
6	4115C315 ➡ U491477 t	4 Kit
	E	
	T-A 14:0	

Engine

T series tier 3 (2007-2010) - CP02 - T 105 f-m-c

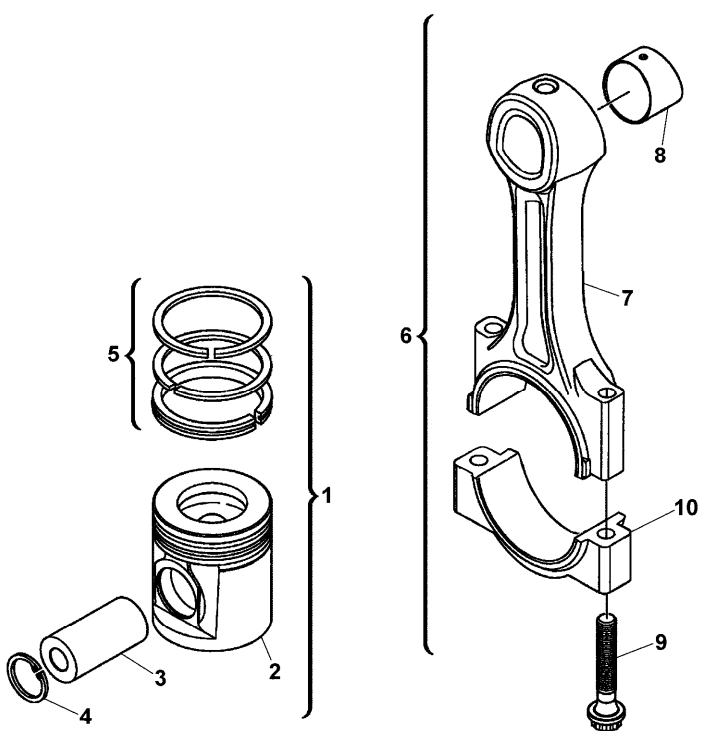
**A-01
05**



A0105

Pistons and connecting rods

CP02\000032.901.png



Inglese

6	4115C316	➡	U491477 t F T-A 14:0	4	Kit
6	4115C361	➡	U491478 t A	4	Conrod
6	4115C362	➡	U491478 t B	4	Conrod
6	4115C363	➡	U491478 t C	4	Conrod
6	4115C364	➡	U491478 t D	4	Conrod
6	4115C365	➡	U491478 t E	4	Conrod
6	4115C366	➡	U491478 t F	4	Conrod
7	!	6	Ref.n.6	1	Conrod
8	3112A005	!	6 T-A 14:0	1	Bush
9	3212V003	!	6	2	Screw
10	!	6	Ref.n.6	1	Guard

- ! This is a component of an assembly
- ➡ From serial or engine number
- ➡ Up to serial or engine number
- ➡ Not serviced, order

(X) Qty per tractors sold (aa.bbb.ccc.ddd) (aa) for 1,(bbb) 2-10 (ccc) 11-25 (ddd) 26-50

Engine

T series tier 3 (2007-2010) - CP02 - T 105 f-m-c

CP02\000032.901.png

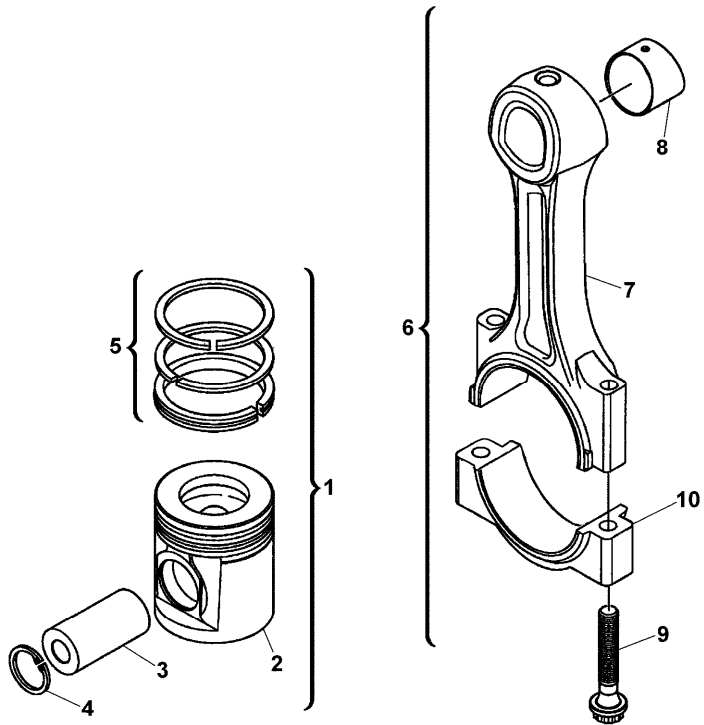
A-01
05



A0105

Pistons and connecting rods

- T-A Replacement
- A Red
- B Orange
- C White
- D Green
- E Purple
- F Blue



Engine

T series tier 3 (2007-2010) - CP02 - T 105 f-m-c

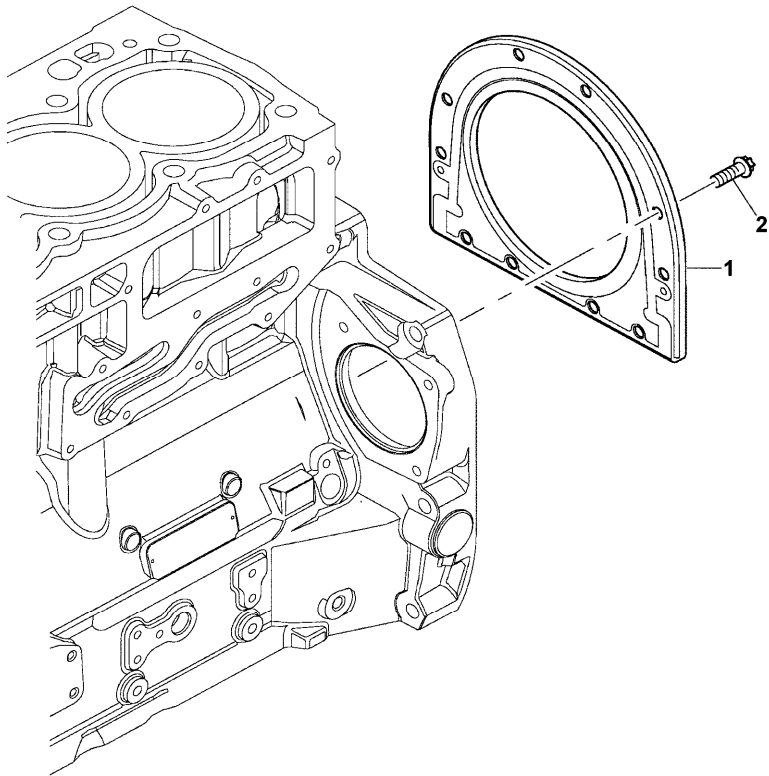
CP02\000015074.png

A-01
06



A0106

End cover



1 2418F704 T-A 9:0

2 3211C002

T-A Replacement

Inglese

1 Housing

10 Screw

Engine

T series tier 3 (2007-2010) - CP02 - T 105 f-m-c

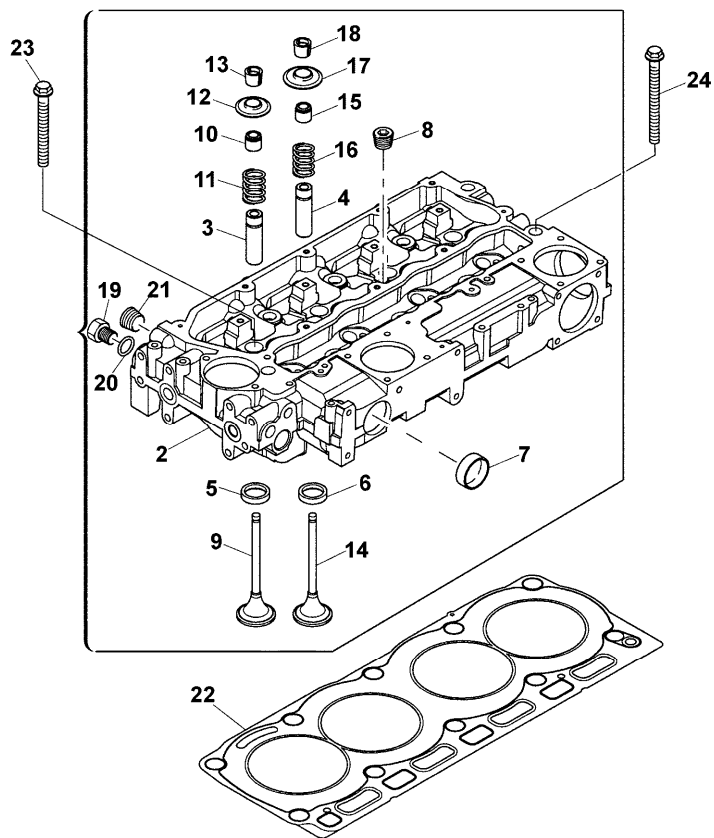
**A-01
07**



A0107

Cylinder head

CP02\000020527.png



1 ZZ80280

2 ! 1

➡ Ref.n.1

3 3313A012 ! 1

4 3313A012 ! 1

5 3314A221 ! 1

6 3314A231 ! 1

7 32416117 ! 1

8 0650588 ! 1

9 3142H101 ! 1

10 2418M519 ! 1

A

11 3174A031 ! 1

● T417479(4)

12 3342A021 ! 1

13 2714A002 ! 1

14 3142A171 ! 1

15 2418M517 ! 1

B

16 3174A031 ! 1

● T417479(4)

17 3342A021 ! 1

18 2714A002 ! 1

19 3278A006 ! 1

20 2415H003 ! 1

Inglese

1 Cylinder head

1 Body

4 Insert

4 Insert

4 Insert

4 Insert

2 Plug

4 Plug

4 Valve

4 Ring

4 Spring

4 Coperch.

8 Collar

4 Valve

4 Ring

4 Spring

4 Coperch.

8 Collar

1 Plug

1 Ring

Engine

A-01
07

Cylinder head

T series tier 3 (2007-2010) - CP02 - T 105 f-m-c



A0107

CP02\000020527.png

Inglese

21 2431154 ! 1

1 Plug

22 3681E051

1 Gasket

23 3218A011

7 Screw

24 3218A012

3 Screw

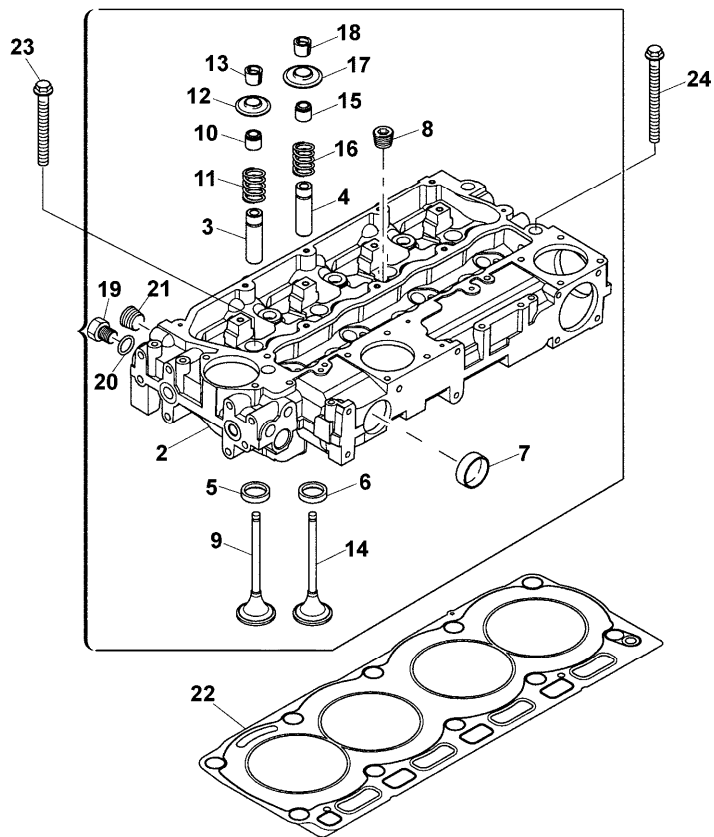
! This is a component of an assembly

🔧 Not serviced, order

🔩 Replacement

A Green

B Brown



Engine

T series tier 3 (2007-2010) - CP02 - T 105 f-m-c

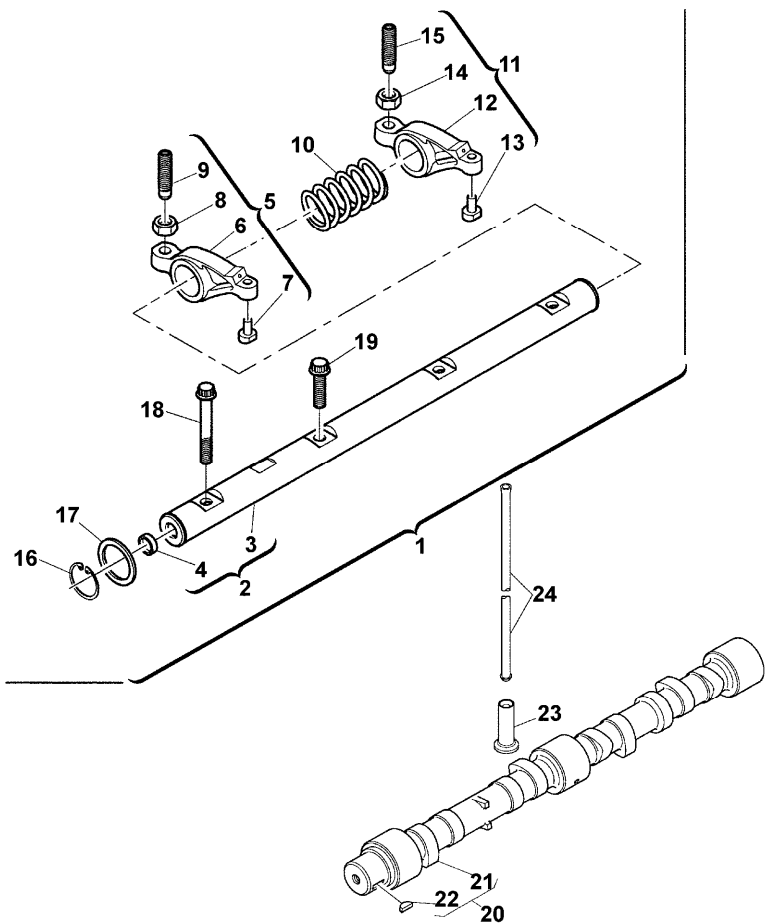
CP02\000032.902.png

A-01
08



A0108

Rocker shaft



		Inglese	
1	4115R613		1 Axle
2	4115R703	! 1	1 Shaft
		T-A 4:0	
3		! 2	1 Axle
		➡ Ref.n.2	
4	2485A104	! 2	2 Plug
5	4115R319	! 1	4 Lever
6		! 5	1 Rocker
		➡ Ref.n.5	
7		! 5	1 Pad
		➡ Ref.n.5	
8	3331A006	! 5	1 Nut
9	3211C004	! 5	1 Screw
10	3174A015	! 1	3 Spring
		T-A 4:0	
11	4115R318	! 1	4 Lever
12		! 11	1 Rocker
		➡ Ref.n.11	
13		! 11	1 Pad
		➡ Ref.n.11	
14	3331A006	! 11	1 Nut
15	3211C004	! 11	1 Screw
16	2722A022	! 1	2 Ring
17	2134A502	! 1	2 Washer
18	2316A901	! 1	1 Screw

Engine

T series tier 3 (2007-2010) - CP02 - T 105 f-m-c

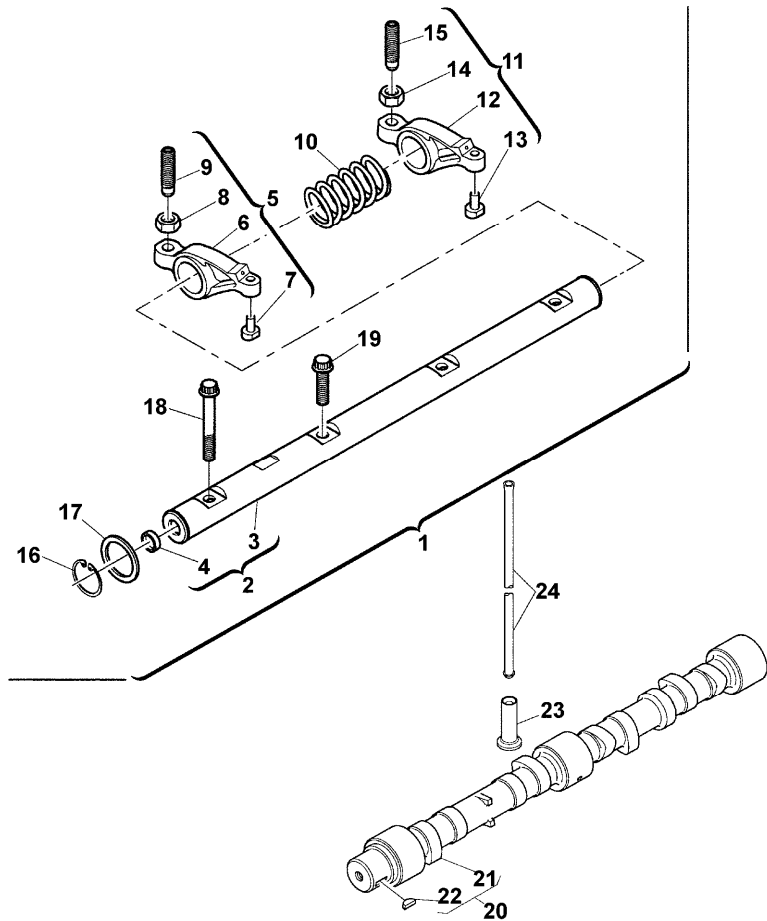
CP02\000032.902.png

A-01
08



A0108

Rocker shaft



Inglese

19	2316A902	!	1	3	Screw
20	4112K032	●	4112K077(1)	1	Shaft
21		!	20	1	Shaft
		➡	Ref.n.20		
22	0500012	!	20	1	Key
23	0500012	!	20	1	Key
23	3142U061			8	Tappet
24	3142V011			8	Rod
!	This is a component of an assembly				
➡	Not serviced, order				
●	Replacement				
T-A	Replacement				

Engine

T series tier 3 (2007-2010) - CP02 - T 105 f-m-c

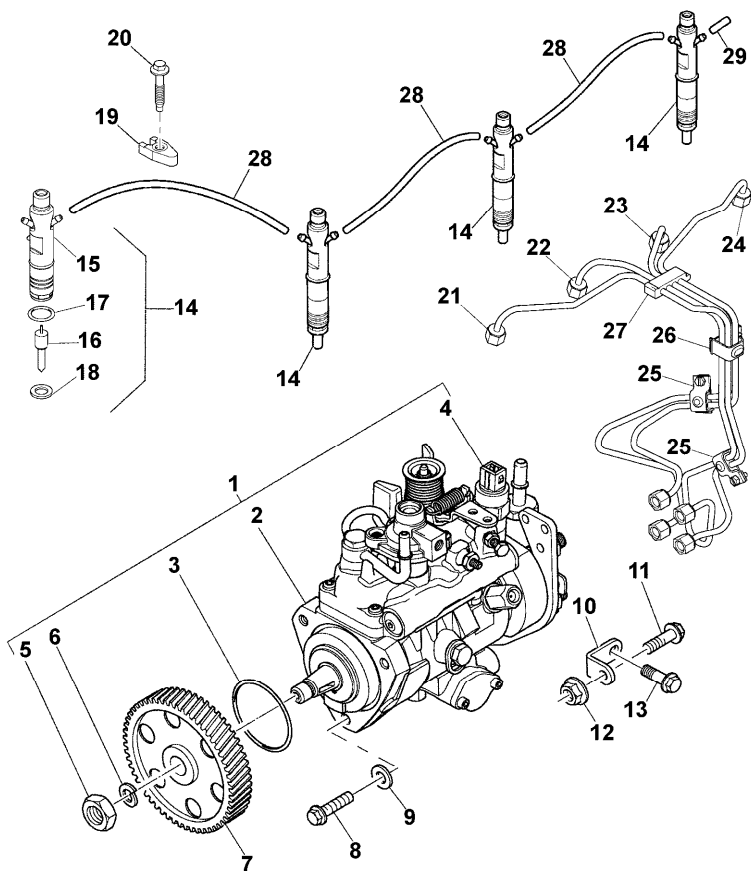
A-01
09



A0109

Fuel injection equipment (diesel)

CP02\000032.917.png



		Inglese
1	2644C313/22	1 Pump
2	!	1 Pump
	➡ Ref.n.1	
3	26420318	1 Ring
	T-A 4:50	
4	26420469	1 Solenoid
	(X) 1.2.5.	
	T-A 0:25	
5	2318A108	1 Nut
6	K134AF01	1 Washer
7	3117L261	1 Gear
8	2314H004	3 Screw
9	2411D008	3 Washer
10	3641A007	1 Stirrup
11	2314H003	1 Screw
12	2318A603	1 Nut
13	2314J002	1 Screw
14	2645K025	4 Nozzle
15	!	1 Support
	➡ Ref.n.14	
16	!	1 Nozzle
17	26460064	1 Ring
18	L311FF02	1 Washer
19	3751A241	4 Clamp
20	2314W009	4 Screw

Engine

T series tier 3 (2007-2010) - CP02 - T 105 f-m-c

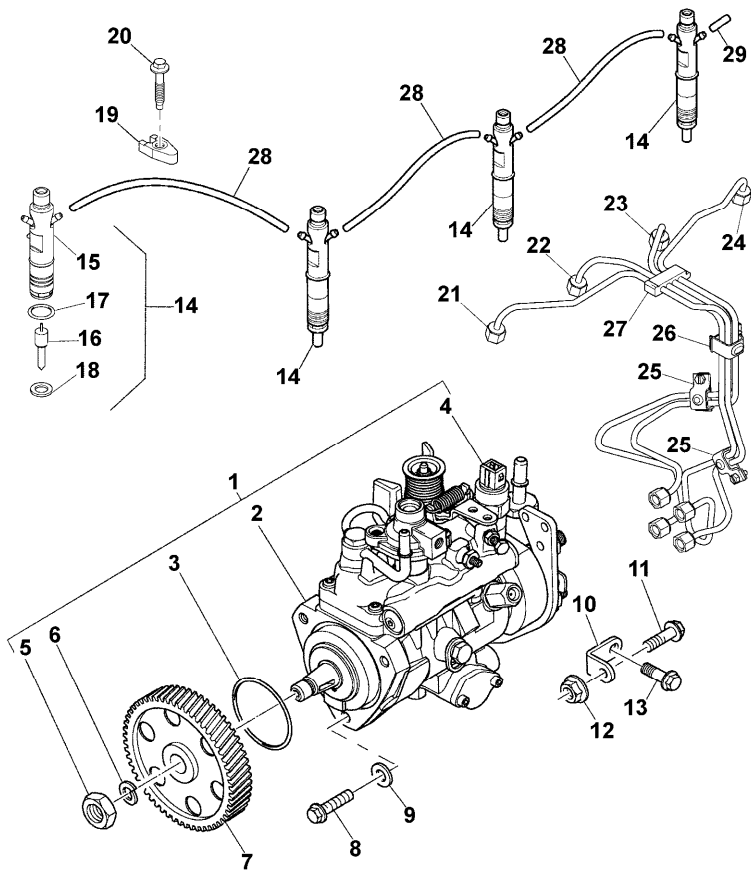
A-01
09



A0109

Fuel injection equipment (diesel)

CP02\000032.917.png



Inglese

- 21 3525A101 1 Pipe
- 22 3525A102 1 Pipe
- 23 3525A103 1 Pipe
- 24 3525A104 1 Pipe
- 25 2481Y011 2 Clip
- 26 2481Y012 1 Clip
- 27 2646E019 1 Clip
- 28 2646F501 3 Pipe
- 29 2646E501 1 Cap

! This is a component of an assembly

Not serviced, order

(X) Qty per tractors sold (aa.bbb.ccc.ddd) (aa) for 1,(bbb) 2-10 (ccc) 11-25 (ddd) 26-50

T-A Replacement

Engine

T series tier 3 (2007-2010) - CP02 - T 105 f-m-c

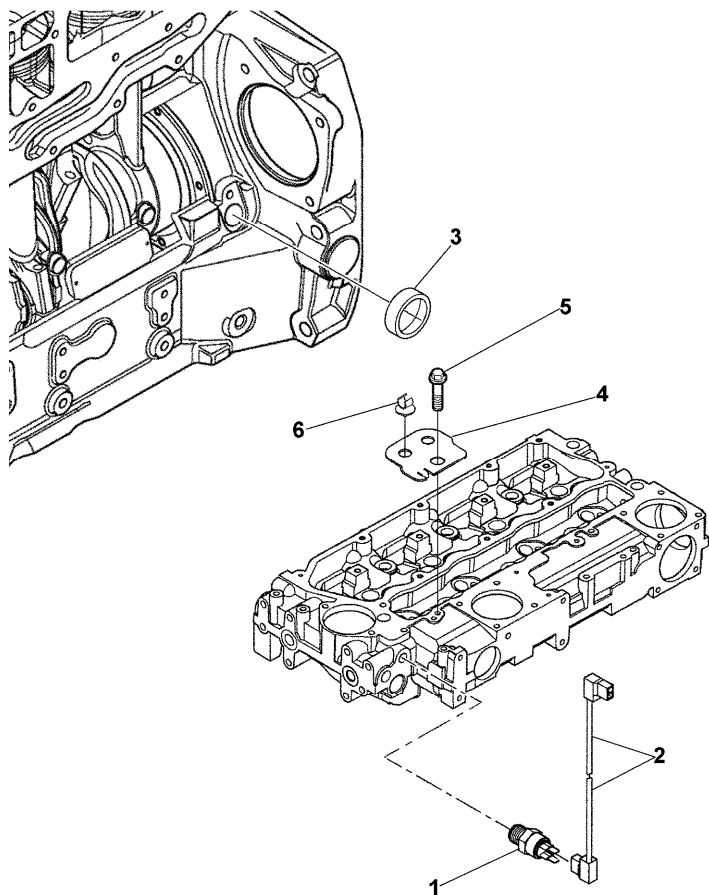
CP02\000032.904.png

A-01
10



A0110

Sensor pickup,start and stop control



1 2848A127 A
T-A 0:50

2 3161C017

3 2485A109

4 3653A017

5 2314H002

6 2481D456

T-A Replacement

A Engine water temperature

Inglese

1 Sensor

1 Cable

1 Plug

1 Stirrup

1 Screw

1 Clip

Engine

T series tier 3 (2007-2010) - CP02 - T 105 f-m-c

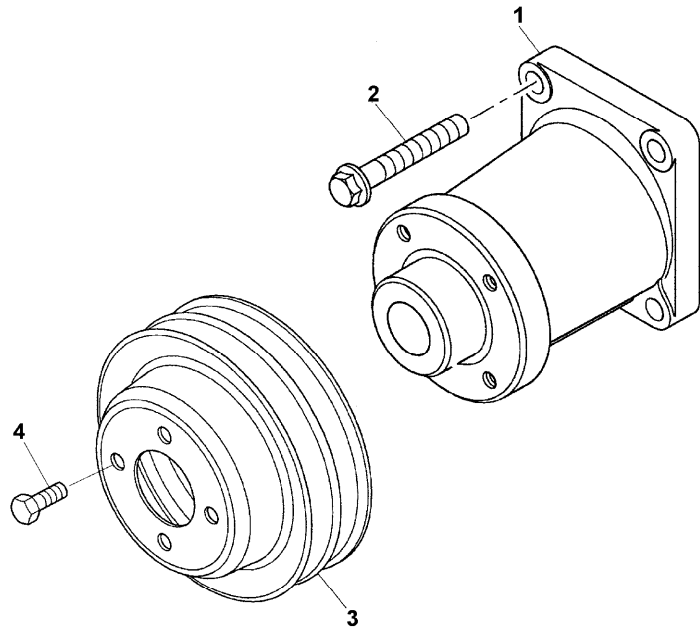
CP02\000015079.png

A-01
11



A0111

Fan-type pulley



- 1 4113K005 T-A 1:75
 - 2 2314J005
 - 3 3115C161 T-A 1:50
 - 4 2314C044
- T-A Replacement

Inglese

- 1 Housing
- 4 Screw
- 1 Pulley
- 4 Screw

Engine

T series tier 3 (2007-2010) - CP02 - T 105 f-m-c

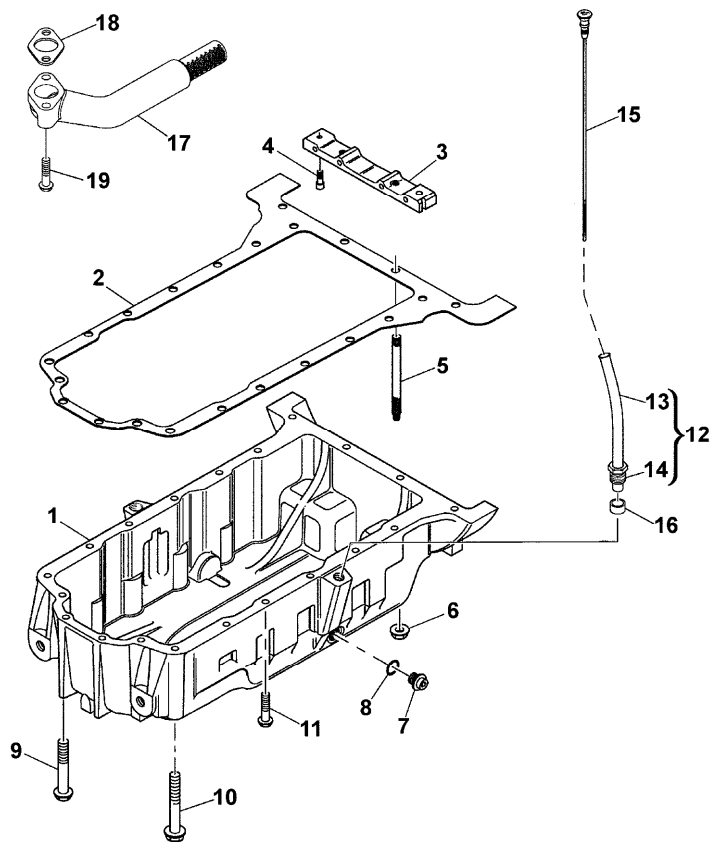
A-01
12



A0112

Lubricating oil sump

CP02\000032.905.png



- 1 3717E272
- 2 3681K036 (X) 1.2.5.
T-A 1:50
- 3 3627P041 T-A 1:50
- 4 2311D039
- 5 3211P013
- 6 2318A603
- 7 32186405 T-A 0:25
- 8 2415715 T-A 0:25
- 9 2314H023
- 10 2314H022 ● 2314H052(1)
- 11 2314H015
- 12 3577A125 T-A 0:25
- 13 ! 12
- 14 ! 12
- 15 3178C081 T-A 0:25
- 16 33812116
- 17 3765A091 T-A 1:75
- 18 36832137 T-A 1:75
- 19 2314H006

Inglese

- 1 Crankcase
- 1 Gasket
- 1 Crosspiece
- 2 Screw
- 2 Stud
- 2 Nut
- 1 Plug
- 1 Ring
- 5 Screw
- 1 Screw
- 12 Screw
- 1 Pipe
- 1 Pipe
- 1 Nut
- 1 Rod
- 1 Olive
- 1 Pipe
- 1 Gasket
- 2 Screw

! This is a component of an assembly
 ▣ Not serviced, order
 ● Replacement
 (X) Qty per tractors sold (aa.bbb.ccc.ddd) (aa) for 1,(bbb) 2-10 (ccc) 11-25 (ddd) 26-50
 T-A Replacement

Engine

T series tier 3 (2007-2010) - CP02 - T 105 f-m-c

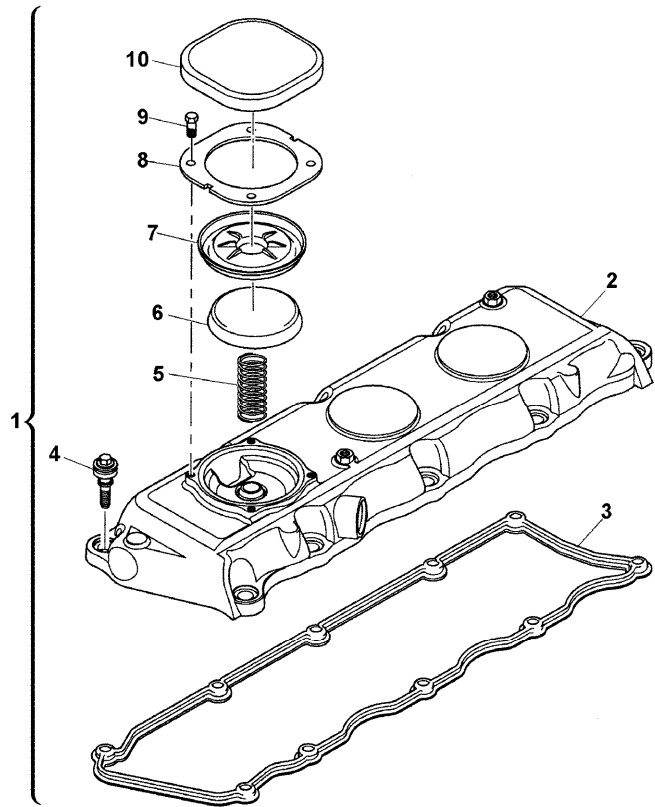
CP02\000020533.png

A-01
13



A0113

Cylinder head cover



		Inglese	
1	4142X325	● T417478(1)	1 Coperch.
2		! 1	1 Cover
3	3681A055	▣ Ref.n.1	1 Gasket
		(X) 1.2.5.	
4		T-A 1:0	10 Screw
		! 1	
5	3174A017	▣ Ref.n.1	1 Spring
		! 1	
6	3788A002	T-A 0:25	1 Cap
		! 1	
7	3789A001	T-A 0:25	1 Diaphragm
		! 1	
8	3615A009	T-A 0:25	1 Plate
		! 1	
9	2151A001	T-A 0:25	4 Screw
		! 1	
10	3788A003	T-A 0:25	1 Cap
		! 1	
		T-A 0:25	
	!	This is a component of an assembly	
	▣	Not serviced, order	
	●	Replacement	
	(X)	Qty per tractors sold (aa.bbb.ccc.ddd) (aa) for 1,(bbb) 2-10 (ccc) 11-25 (ddd) 26-50	
	T-A	Replacement	

Engine

T series tier 3 (2007-2010) - CP02 - T 105 f-m-c

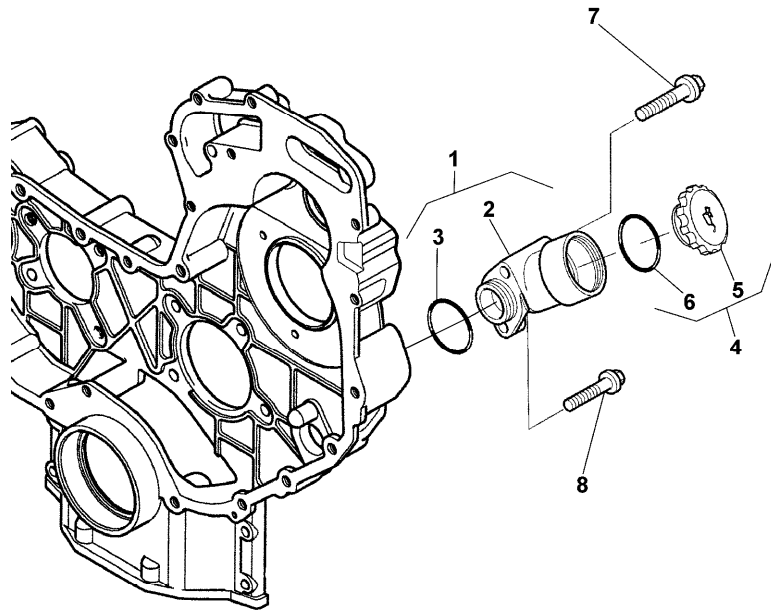
CP02\000032.907.png

**A-01
14**



A0114

Filler



		Inglese	
1	4134C043	● 4134C072(1) T-A 0:25	1 Filler
2		! 1 ➡ Ref.n.1	1 Body
3	2415B148	! 1 T-A 0:25	1 O ring
4	4142X098	! 1 (X) 1.3.5.1 T-A 0:25	1 Plug
5		! 4 ➡ Ref.n.4	1 Plug
6	2415633	! 4 T-A 0:25	1 O ring
7	2314K161		1 Screw
8	2314H005		1 Screw
		! This is a component of an assembly	
		➡ Not serviced, order	
		● Replacement	
		(X) Qty per tractors sold (aa.bbb.ccc.ddd) (aa) for 1,(bbb) 2-10 (ccc) 11-25 (ddd) 26-50	
		T-A Replacement	

Engine

T series tier 3 (2007-2010) - CP02 - T 105 f-m-c

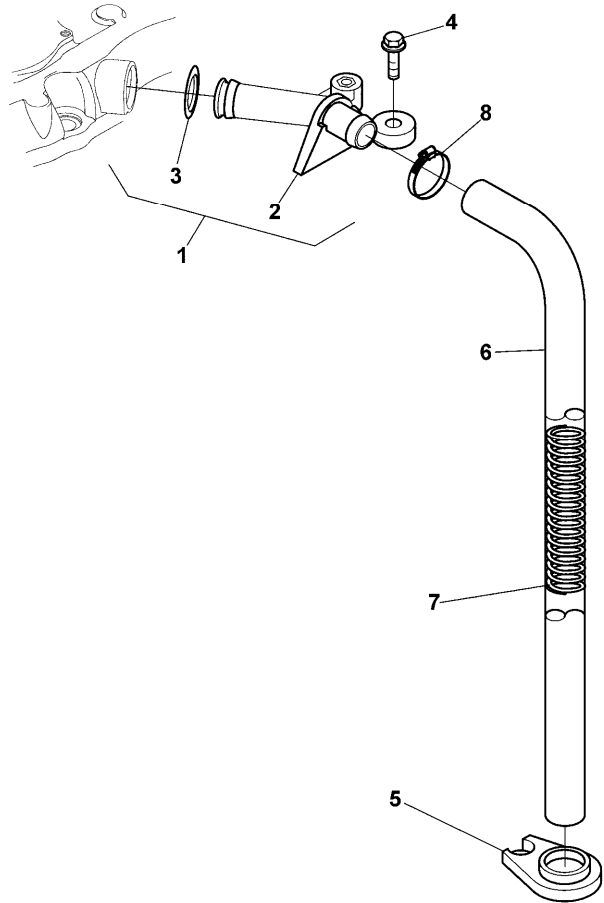
CP02\000032.918.png

A-01
15



A0115

Breather



- 1 4133J011
 - 2 ! 1
 - 3 2415A068 ! 1
 - 4 2314F005
 - 5 36241123 T-A 0:25
 - 6 33872632 T-A 0:25
 - 7 3175P003
 - 8 2481877
- ! This is a component of an assembly
 ▣ Not serviced, order
 T-A Replacement

Inglese

- 1 Pipe
- 1 Pipe
- 1 Ring
- 2 Screw
- 1 Support
- 1 Pipe
- 1 Spring
- 1 Clamp

Engine

T series tier 3 (2007-2010) - CP02 - T 105 f-m-c

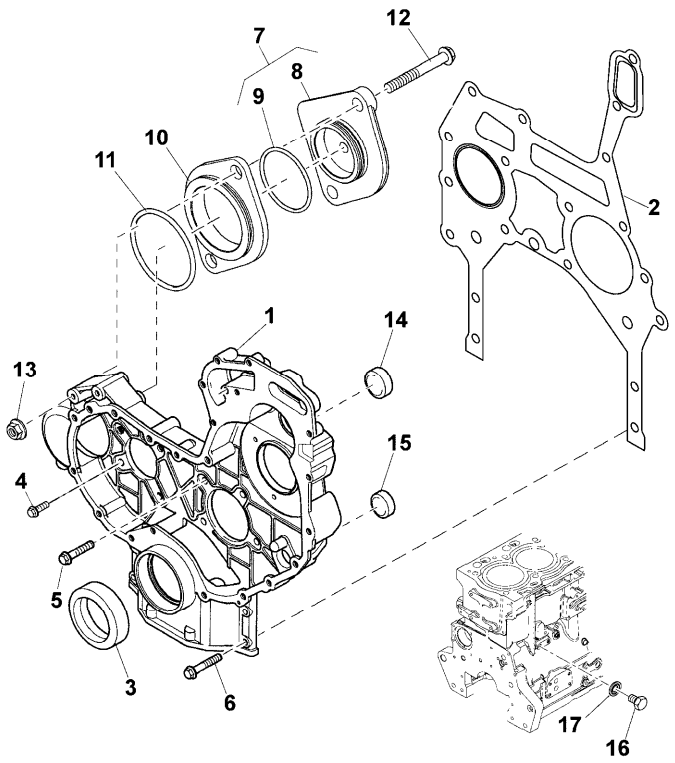
**A-01
16**



A0116

Gasket sets

CP02\000032.908.png



		Inglese
1	3716C581	1 Housing
2	3681P053	1 Gasket
3	2418F437	1 Seal
4	2314H003	6 Screw
5	2314H006	2 Screw
6	2314H034	4 Screw
7	4148K012	1 Plate
8	!	7
	➡	Ref.n.7
9	2415H515	! 7
10	3617A021	1 Ring
11	2415H516	1 Disc
12	2314J014	1 O ring
13	2318A604	2 Screw
14	2485A124	2 Nut
15	2485A118	1 Plug
16	2314C049	1 Plug
17	2415D053	1 Screw
	!	1 Washer
	!	This is a component of an assembly
	➡	Not serviced, order
	T-A	Replacement

Engine

T series tier 3 (2007-2010) - CP02 - T 105 f-m-c

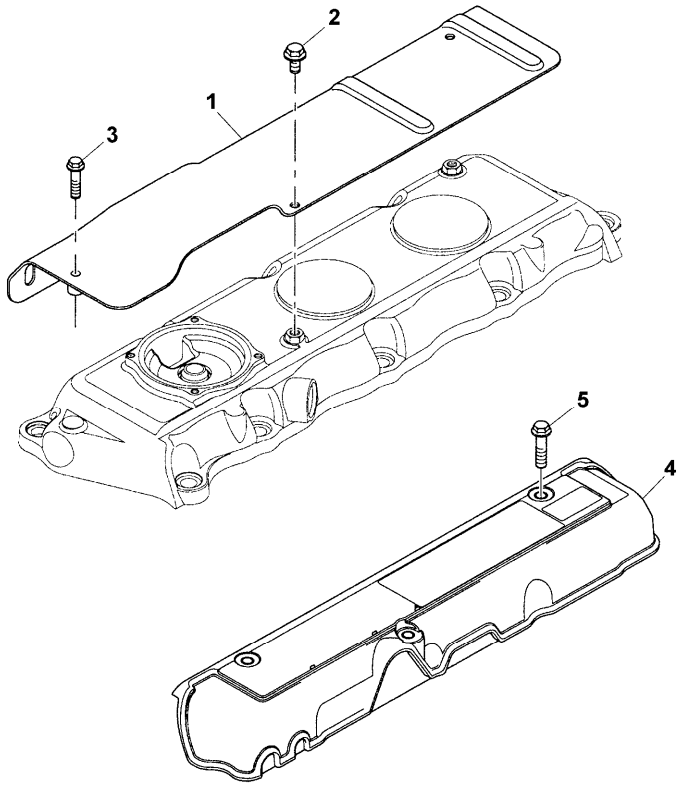
CP02\000020537.png

A-01
17



A0117

Cylinder head cover



- 1 3812A026 T-A 0:25
 - 2 2314F001
 - 3 2314F006
 - 4 3788N003
 - 5 2314F003
- T-A Replacement

Inglese

- 1 Heatshield
- 2 Screw
- 1 Screw
- 1 Cover
- 3 Screw



Suggest:

For more complete manuals. Please go to the home page.

<https://www.ebooklibonline.com>

If the above button click is invalid. Please download this document first, and then click the above link to download the complete manual.

Thank you so much for reading

Engine

T series tier 3 (2007-2010) - CP02 - T 105 f-m-c

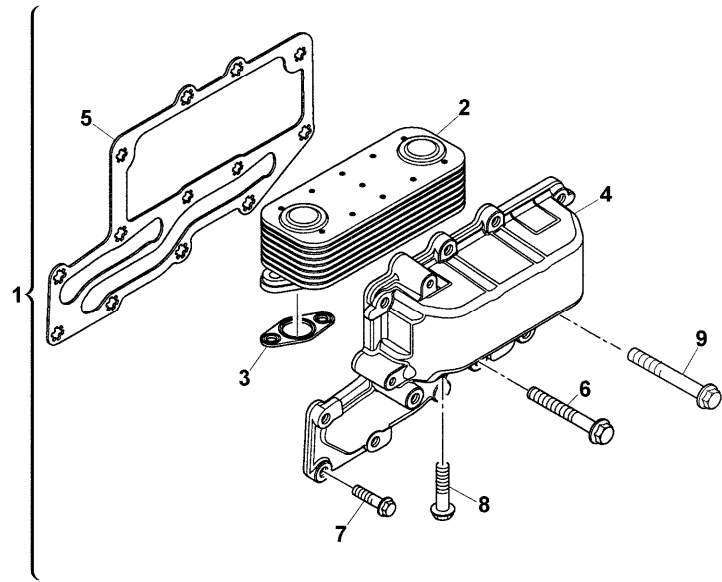
CP02\000015031.png

**A-01
18**



A0118

Oil radiator



		Inglese	
1	4134W021	● 4134W025(1)	1 Radiator
2	2486A217	! 1	1 Radiator
		T-A 1:0	
3	3685A025	! 1	2 Ring
		T-A 1:0	
4		! 1	1 Cooler
		➡ Ref.n.1	
5	3685A033	! 1	1 Gasket
6	2314K161	! 1	3 Screw
7	2311D060	! 1	2 Screw
8	2314H006	! 1	4 Screw
9	2314H004	! 1	8 Screw

- ! This is a component of an assembly
- ➡ Not serviced, order
- Replacement
- T-A Replacement

Engine

T series tier 3 (2007-2010) - CP02 - T 105 f-m-c

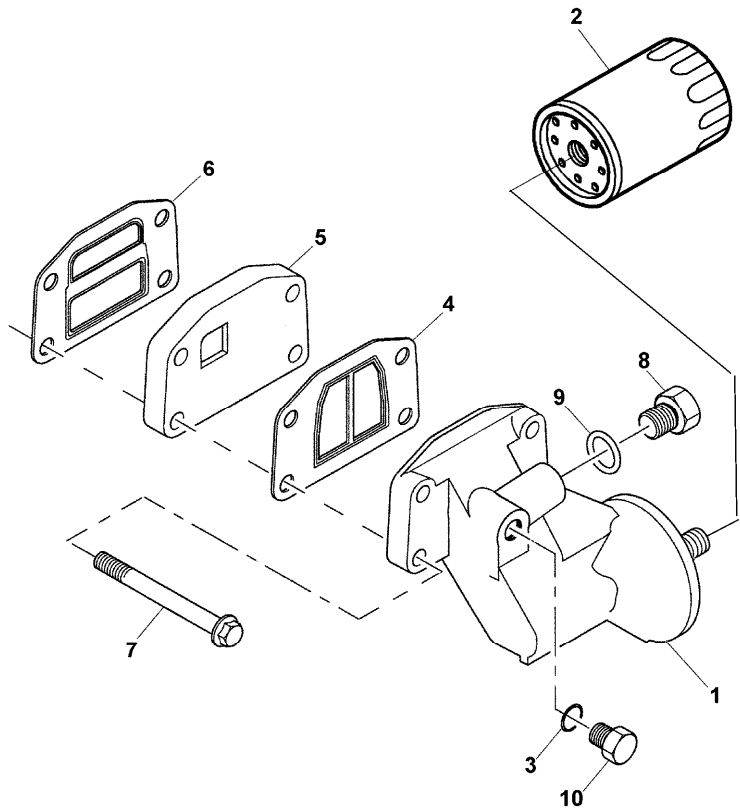
A-01
19



A0119

Lubricating oil filter

CP02\000032.910.png



Inglese

1	3773A071		1	Head
2		◊ A-01 20 4	1	Filter
3	2415H009		1	O ring
4	3688A041	(X) 1.2.5. T-A 0:50	1	Ring
5	3773A081	T-A 0:50	1	Adaptor
6	3688A039	(X) 1.2.5. T-A 0:50	1	Gasket
7	2314H038		4	Screw
8	3278A004		1	Plug
9	2415H002		1	Ring
10	3278A007		1	Plug

◊ See page - reference number

(X) Qty per tractors sold (aa.bbb.ccc.ddd) (aa) for 1,(bbb) 2-10 (ccc) 11-25 (ddd) 26-50

T-A Replacement

<https://www.ebooklibonline.com>

Hello dear friend!

Thank you very much for reading.

Enter the link into your browser.

The full manual is available for immediate download.

<https://www.ebooklibonline.com>