

Engine

T series tier 3 (2007-2010) - CP02 - T 100 f-m-c

CP02\00005170.png

A-01
01



A0101

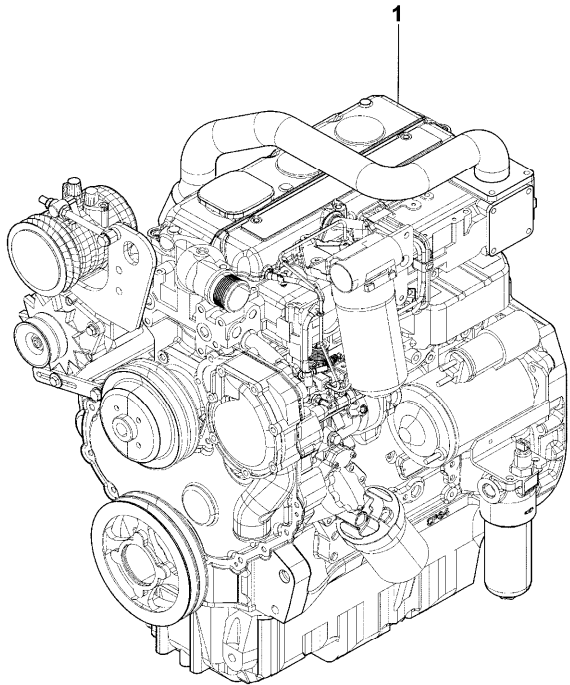
Engine assembly

1 3696814M91

67,5 kw

Inglese

1 Engine



Engine

T series tier 3 (2007-2010) - CP02 - T 100 f-m-c

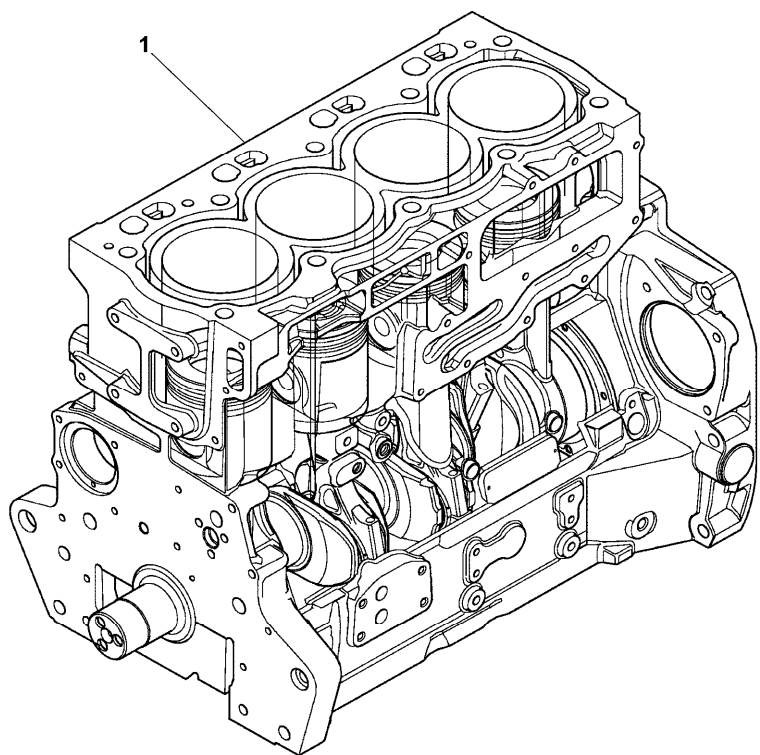
CP02\000015070.png

A-01
02



A0102

Short engine



Inglese

- | | | | | | |
|---|---------|--|----------------------------------|---|--------------|
| 1 | NM40008 | | U056074 t | 1 | Short engine |
| | | | 3115A141(1),
32186146(3), NM4 | | |
| 1 | NM40019 | | U056075 t | 1 | Short engine |

- From serial or engine number
- Up to serial or engine number
- Replacement

Engine

T series tier 3 (2007-2010) - CP02 - T 100 f-m-c

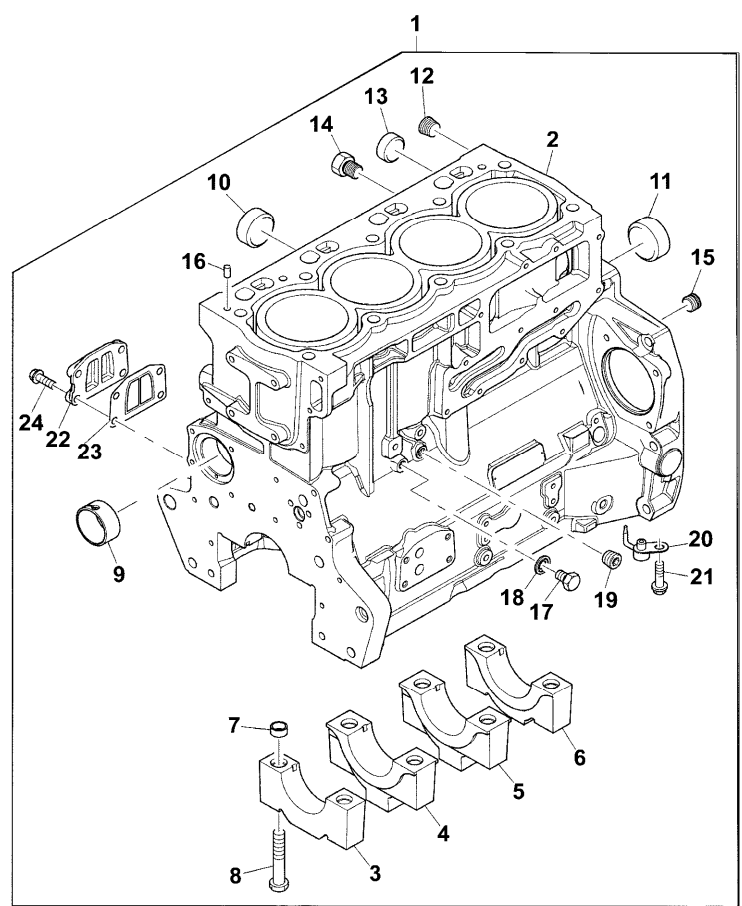
CP02\000015072.png

**A-01
03**



A0103

Cylinder block



		Inglese
1	A	1 Kit
2	!	1 Cylinder block
3	➡ Ref.n.1	1 Bearing
4	!	2 Bearing
5	➡ Ref.n.1	1 Bearing
6	!	1 Bearing
7	33142111	10 Manicott
8	32166329	10 Screw
9	3112D071	1 Bush
	● 3112D075(1)	
10	3241A011	2 Plug
11	3241A012	1 Plug
12	0650588	1 Plug
13	0650710	1 Plug
14	32141316	1 Plug
15	3212P008	1 Plug
16	3244A009	2 Dowel
17	2314C049	1 Screw
18	2415D053	1 Washer
19	0650594	1 Plug

<https://www.ebooklibonline.com>

Hello dear friend!

Thank you very much for reading.

Enter the link into your browser.

The full manual is available for immediate download.

<https://www.ebooklibonline.com>

Engine

T series tier 3 (2007-2010) - CP02 - T 100 f-m-c

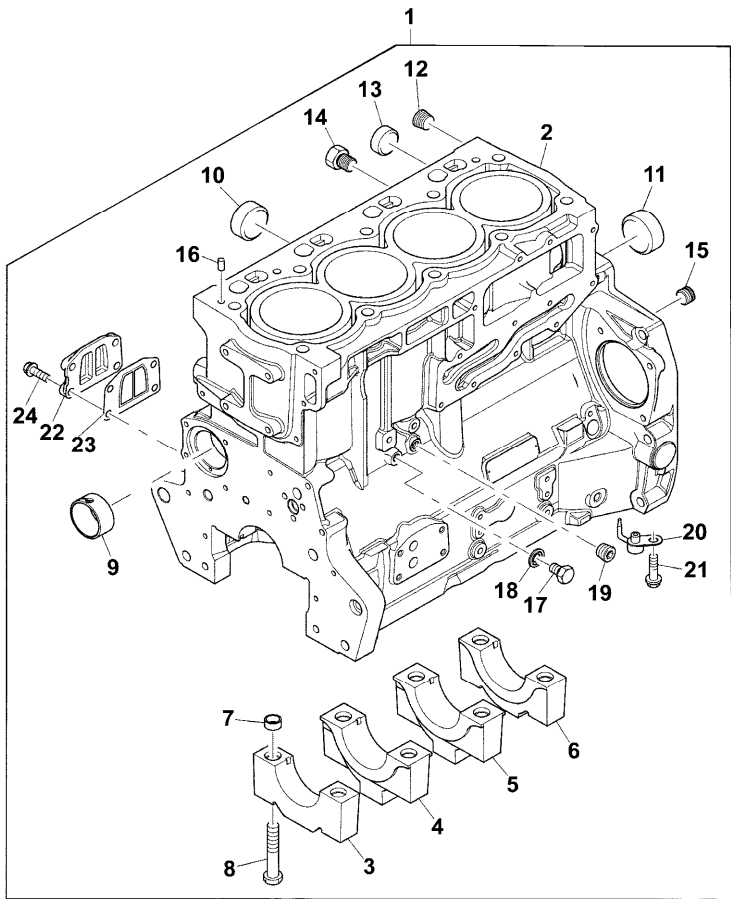
CP02\000015072.png

A-01
03



A0103

Cylinder block



- 20 2113A003 ! 1
- 21 2314F001 ! 1
- 22 3753A071 ! 1
- 23 3688A041 ! 1
- 24 2314H034 ! 1

Inglese

- 4 Atomiser
- 4 Screw
- 1 Coperch.
- 1 Ring
- 4 Screw

- ! This is a component of an assembly
- 🔧 Not serviced, order
- Replacement
- A To be advised

Engine

T series tier 3 (2007-2010) - CP02 - T 100 f-m-c

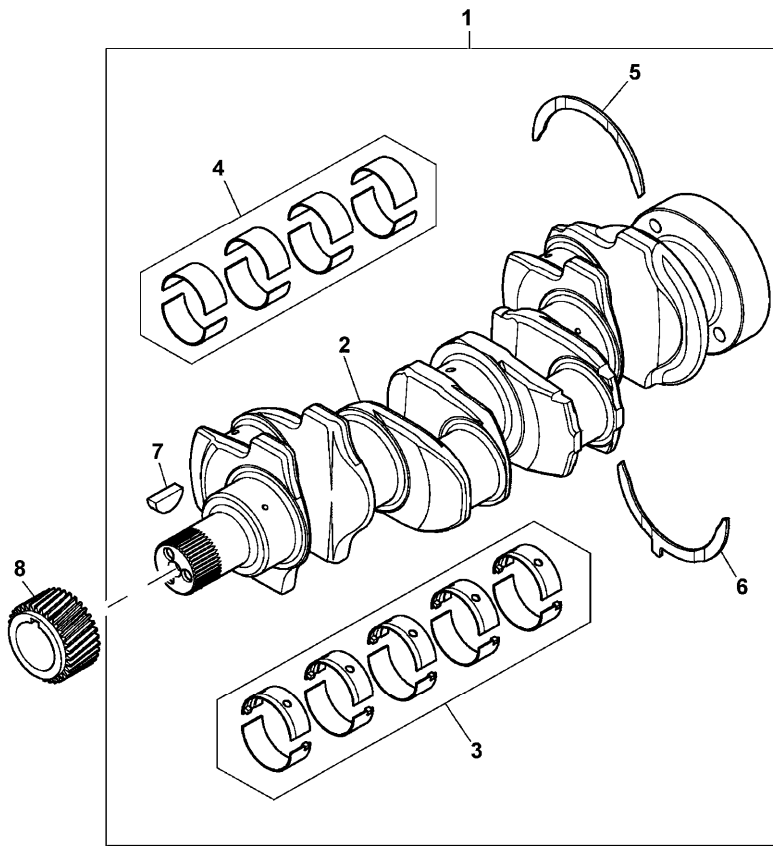
CP02\000015073.png

A-01
04



A0104

Camshaft



		Inglese	
1	ZZ90222	➔ U491476 t	1 Kit
		● ZZ90239(1)	
1	ZZ90237	➔ U491477 t	1 Shaft
2		! 1	1 Shaft
		➔ Ref.n.1	
3	U5MB0018	! 1	1 Kit
		● U5MB0033(1)	
		T-A 15:0	
3	U5MB0018A	! 1	1 Kit
		⚡ (+) 0.010"	
		● U5MB0033A(1)	
		T-A 15:0	
3	U5MB0018B	! 1	1 Kit
		⚡ (+) 0.020"	
		● U5MB0033B(1)	
		T-A 15:0	
3	U5MB0018C	! 1	1 Kit
		⚡ (+) 0.030"	
		● N.L.A.(1)	
		T-A 15:0	
4	T400002	! 1	1 Kit
		➔ U491477 t	
		● T410927(1)	
4	U5ME0026	! 1	1 Kit
		➔ U491476 t	
		● U5ME0034(1)	

Engine

T series tier 3 (2007-2010) - CP02 - T 100 f-m-c

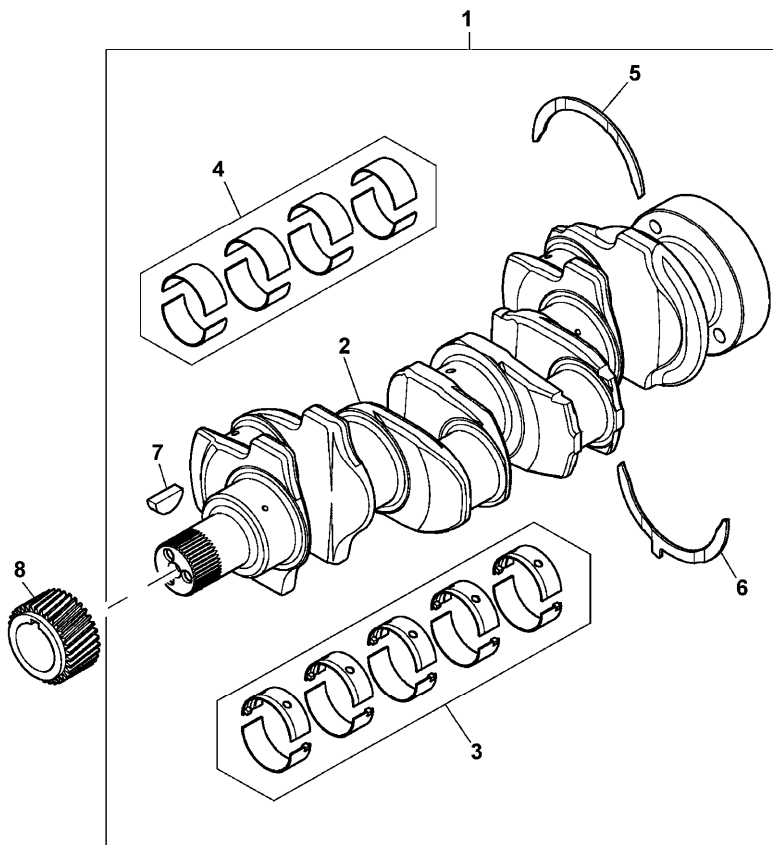
A-01
04



A0104

Camshaft

CP02\000015073.png



Inglese

4	U5ME0026A	!	1	1 Kit
		⚡	(+) 0.25mm	
		➔	U491476 t	
		●	U5ME0034A(1)	
4	U5ME0026B	!	1	1 Kit
		⚡	(+) 0.50mm	
		➔	U491476 t	
		●	U5ME0034B(1)	
4	U5ME0026C	!	1	1 Kit
		⚡	(+) 0.75mm	
		➔	U491476 t	
		●	U5ME0034C(1)	
5	31137312	!	1	2 Ring
		⚡	(+) 0.007"	
		T-A	15:0	
5	31137551	!	1	2 Washer
		T-A	15:0	
6	31137322	!	1	2 Ring
		⚡	(+) 0.007"	
		T-A	15:0	
6	31137561	!	1	2 Washer
		T-A	15:0	
7	0500012	!	1	1 Key
		T-A	10:0	
8	3117C221	T-A	10:0	1 Gear

! This is a component of an assembly

Engine

T series tier 3 (2007-2010) - CP02 - T 100 f-m-c






A-01
04

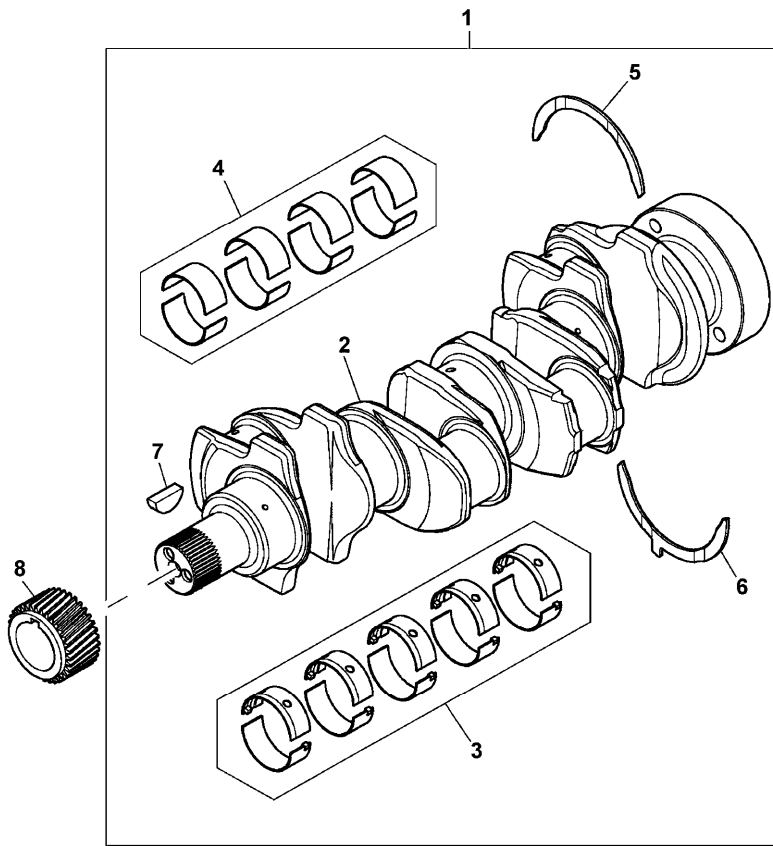


A0104

Camshaft

CP02\000015073.png

-  From serial or engine number
-  Up to serial or engine number
-  Not serviced, order
-  Shim
-  Replacement
- T-A Replacement



Engine

T series tier 3 (2007-2010) - CP02 - T 100 f-m-c

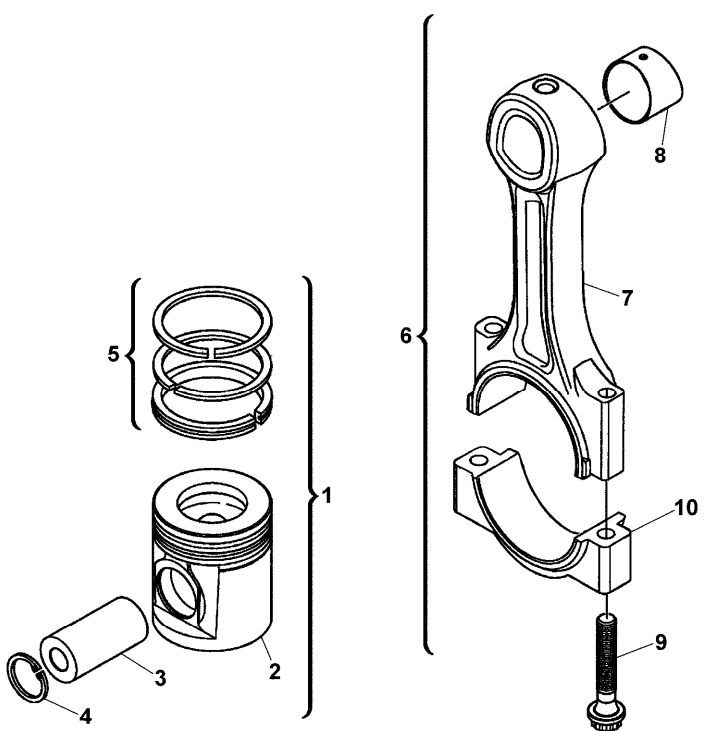
**A-01
05**



A0105

Pistons and connecting rods

CP02\000032.901.png



		Inglese
1	U5PR0063	4 Kit
2	! 1	1 Piston
	➡ Ref.n.1	
3	! 1	1 Pin
	➡ Ref.n.1	
4	2721332 ! 1	2 Ring
5	UPRK0003 ! 1	1 Kit
	(X) 0.2.5.	
	T-A 11:25	
6	4115C311 ➡ U056074 t	4 Kit
	A	
	T-A 14:0	
6	4115C312 ➡ U056074 t	4 Kit
	B	
	T-A 14:0	
6	4115C313 ➡ U056074 t	4 Kit
	C	
	T-A 14:0	
6	4115C314 ➡ U056074 t	4 Kit
	D	
	T-A 14:0	
6	4115C315 ➡ U056074 t	4 Kit
	E	
	T-A 14:0	

Engine

T series tier 3 (2007-2010) - CP02 - T 100 f-m-c

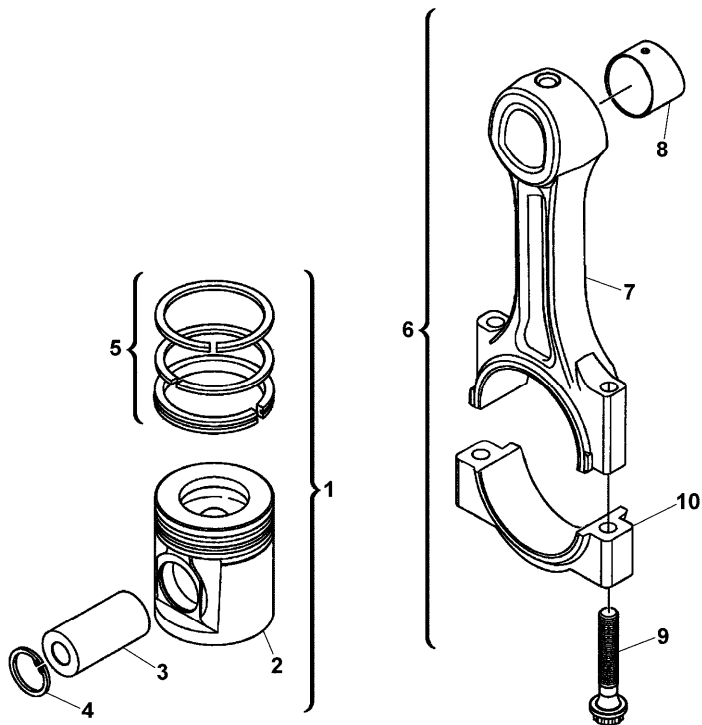
A-01
05



A0105

Pistons and connecting rods

CP02\000032.901.png



Inglese

6	4115C316	➔	U056074 t	4	Kit
			F		
			T-A 14:0		
6	4115C361	➔	U056075 t	4	Conrod
			A		
6	4115C362	➔	U056075 t	4	Conrod
			B		
6	4115C363	➔	U056075 t	4	Conrod
			C		
6	4115C364	➔	U056075 t	4	Conrod
			D		
6	4115C365	➔	U056075 t	4	Conrod
			E		
6	4115C366	➔	U056075 t	4	Conrod
			F		
7	!	6		1	Conrod
			➔ Ref.n.6		
8	3112A005	!	6	1	Bush
			T-A 14:0		
9	3212V003	!	6	2	Screw
			➔ U056074 t		
9	T400001	!	6	2	Screw
			➔ U056075 t		
10	!	6		1	Guard
			➔ Ref.n.6		

! This is a component of an assembly

Engine

T series tier 3 (2007-2010) - CP02 - T 100 f-m-c

A-01
05

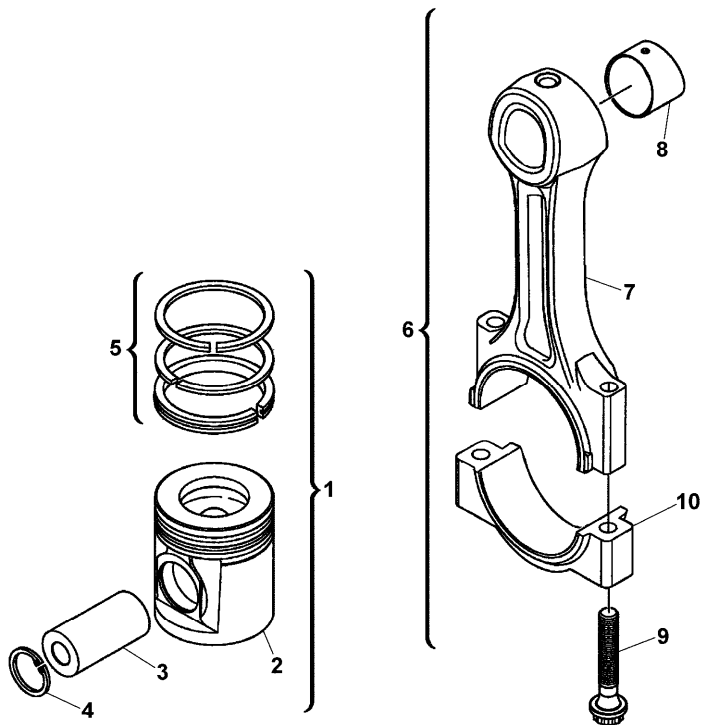


A0105

Pistons and connecting rods

CP02\000032.901.png

- ➔ From serial or engine number
- ➡ Up to serial or engine number
- 🚫 Not serviced, order
- (X) Qty per tractors sold (aa.bbb.ccc.ddd) (aa) for 1,(bbb) 2-10 (ccc) 11-25 (ddd) 26-50
- T-A Replacement
- A Red
- B Orange
- C White
- D Green
- E Purple
- F Blue



Engine

T series tier 3 (2007-2010) - CP02 - T 100 f-m-c

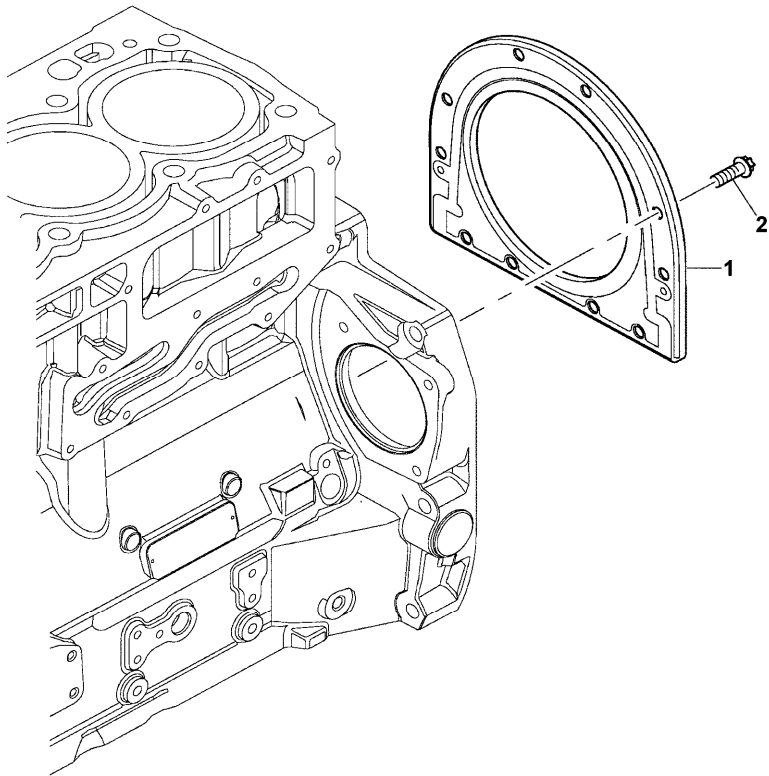
CP02\000015074.png

A-01
06



A0106

End cover



1 2418F704 T-A 9:0

2 3211C002

T-A Replacement

Inglese

1 Housing

10 Screw

Engine

T series tier 3 (2007-2010) - CP02 - T 100 f-m-c

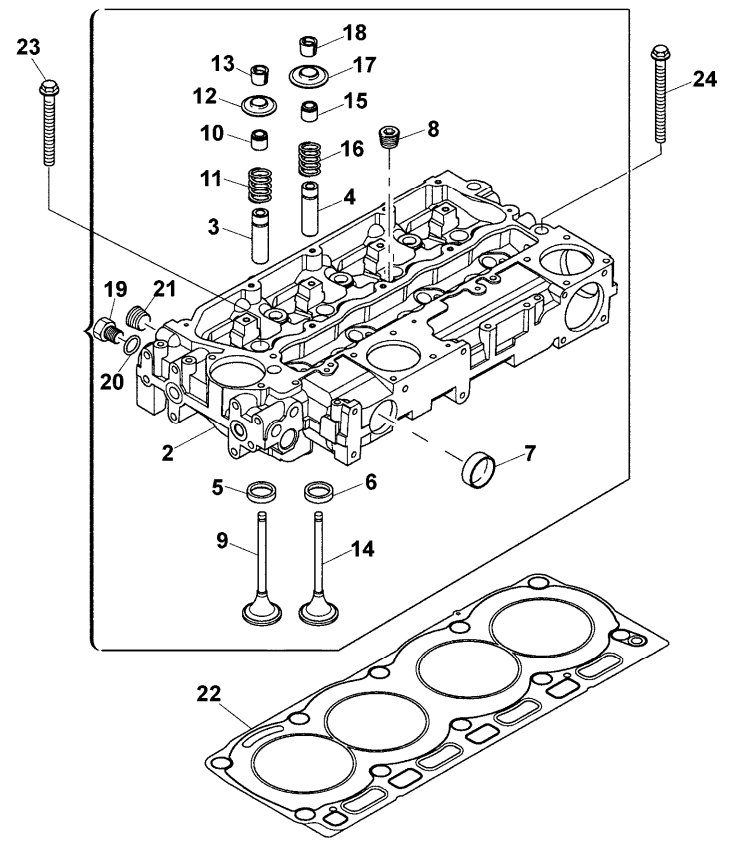
CP02\000020527.png

**A-01
07**



A0107

Cylinder head



			Inglese
1	ZZ80280		1 Cylinder head
2		! 1	1 Body
		➡ Ref.n.1	
3	3313A012	! 1	4 Insert
4	3313A012	! 1	4 Insert
5	3314A221	! 1	4 Insert
6	3314A231	! 1	4 Insert
7	32416117	! 1	2 Plug
8	0650588	! 1	4 Plug
9	3142H101	! 1	4 Valve
10	2418M519	! 1	4 Ring
		A	
11	3174A031	! 1	4 Spring
		● T417479(4)	
12	3342A021	! 1	4 Coperch.
13	2714A002	! 1	8 Collar
14	3142A171	! 1	4 Valve
15	2418M517	! 1	4 Ring
		B	
16	3174A031	! 1	4 Spring
		● T417479(4)	
17	3342A021	! 1	4 Coperch.
18	2714A002	! 1	8 Collar
19	3278A006	! 1	1 Plug
20	2415H003	! 1	1 Ring

Engine

A-01
07

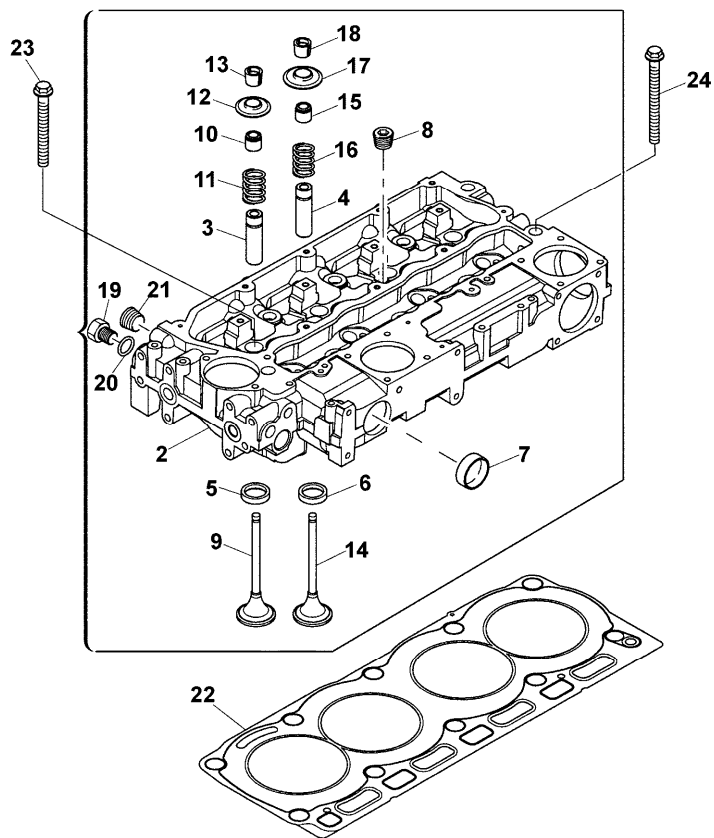
Cylinder head

T series tier 3 (2007-2010) - CP02 - T 100 f-m-c



A0107

CP02\000020527.png



Inglese

21 2431154 ! 1

1 Plug

22 3681E051

1 Gasket

23 3218A011

7 Screw

24 3218A012

3 Screw

! This is a component of an assembly

🔧 Not serviced, order

🔄 Replacement

A Green

B Brown

Engine

T series tier 3 (2007-2010) - CP02 - T 100 f-m-c

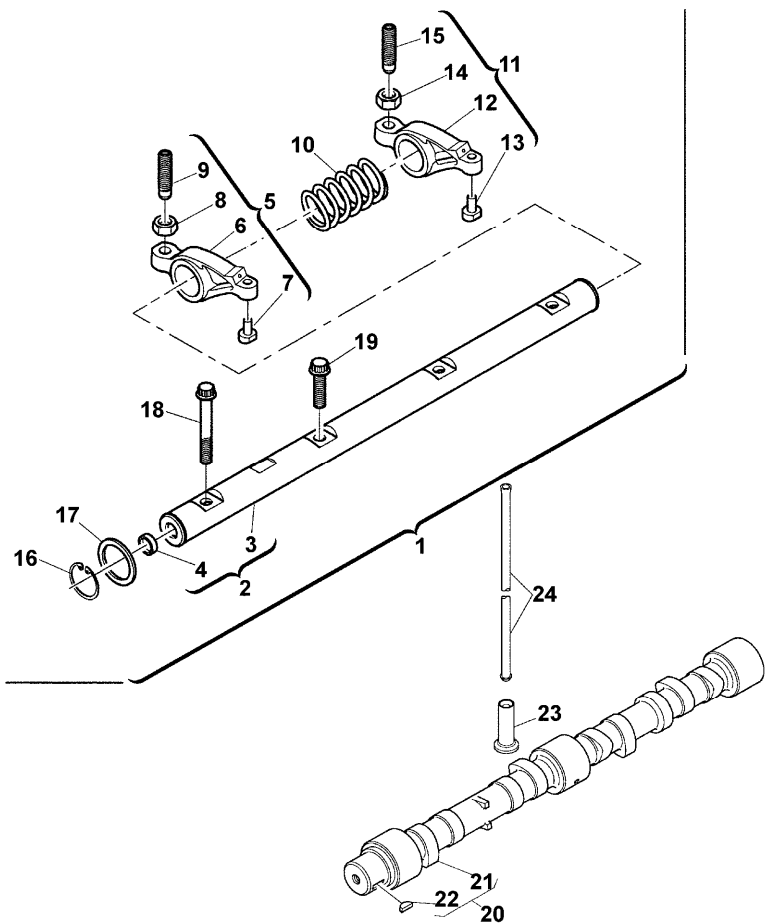
CP02\000032.902.png

A-01
08



A0108

Rocker shaft



			Inglese
1	4115R613		1 Axle
2	4115R703	! 1	1 Shaft
		T-A 4:0	
3		! 2	1 Axle
		➡ Ref.n.2	
4	2485A104	! 2	2 Plug
5	4115R319	! 1	4 Lever
6		! 5	1 Rocker
		➡ Ref.n.5	
7		! 5	1 Pad
		➡ Ref.n.5	
8	3331A006	! 5	1 Nut
9	3211C004	! 5	1 Screw
10	3174A015	! 1	3 Spring
		T-A 4:0	
11	4115R318	! 1	4 Lever
12		! 11	1 Rocker
		➡ Ref.n.11	
13		! 11	1 Pad
		➡ Ref.n.11	
14	3331A006	! 11	1 Nut
15	3211C004	! 11	1 Screw
16	2722A022	! 1	2 Ring
17	2134A502	! 1	2 Washer
18	2316A901	! 1	1 Screw

Engine

T series tier 3 (2007-2010) - CP02 - T 100 f-m-c

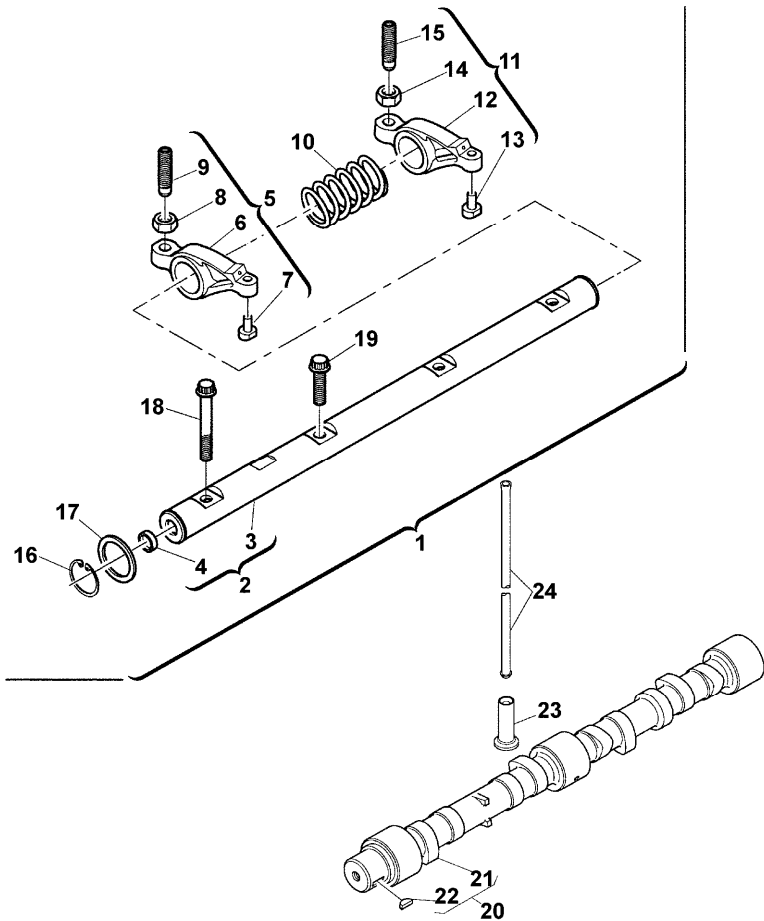
CP02\000032.902.png

**A-01
08**



A0108

Rocker shaft



- | | | | |
|----|----------|---|-------------|
| 19 | 2316A902 | ! | 1 |
| 20 | 4112K032 | ● | 4112K077(1) |
| 21 | | ! | 20 |
| | | ➡ | Ref.n.20 |
| 22 | 0500012 | ! | 20 |
| 23 | 0500012 | ! | 20 |
| 23 | 3142U061 | | 8 Tappet |
| 24 | 3142V011 | | 8 Rod |
- ! This is a component of an assembly
 ➡ Not serviced, order
 ● Replacement
 T-A Replacement

Inglese

- | | |
|---|--------|
| 3 | Screw |
| 1 | Shaft |
| 1 | Shaft |
| 1 | Key |
| 1 | Key |
| 8 | Tappet |
| 8 | Rod |

Engine

T series tier 3 (2007-2010) - CP02 - T 100 f-m-c

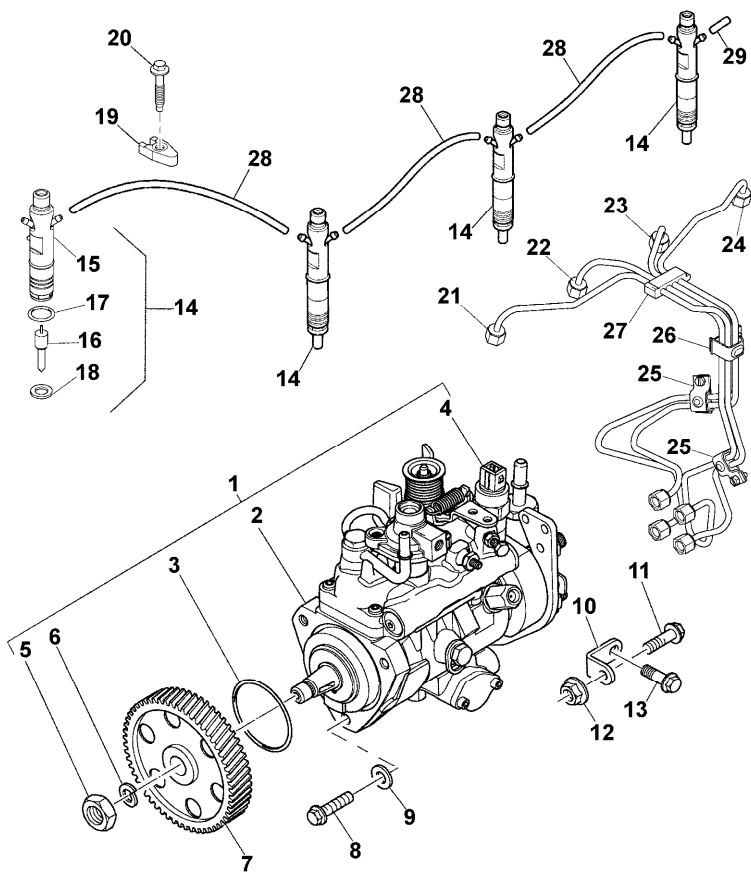
A-01
09



A0109

Fuel injection equipment (diesel)

CP02\000032.917.png



		Inglese
1	2644C314/22	● 2644C314/23(1) 1 Pump
2		! 1 1 Pump
		➡ Ref.n.1
3	26420318	! 1 1 Ring
		T-A 4:50
4	26420469	! 1 1 Solenoid
		(X) 1.2.5.
		T-A 0:25
5	2318A108	! 1 1 Nut
6	K134AF01	! 1 1 Washer
7	3117L261	1 Gear
8	2314H004	3 Screw
9	2411D008	3 Washer
10	3641A007	1 Stirrup
11	2314H003	1 Screw
12	2318A603	1 Nut
13	2314J002	1 Screw
14	2645K025	4 Nozzle
15		! 14 1 Support
		➡ Ref.n.14
16		! 14 1 Nozzle
		➡ Ref.n.14
17	26460064	! 14 1 Ring
18	L311FF02	! 14 1 Washer
19	3751A241	4 Clamp

Engine

T series tier 3 (2007-2010) - CP02 - T 100 f-m-c

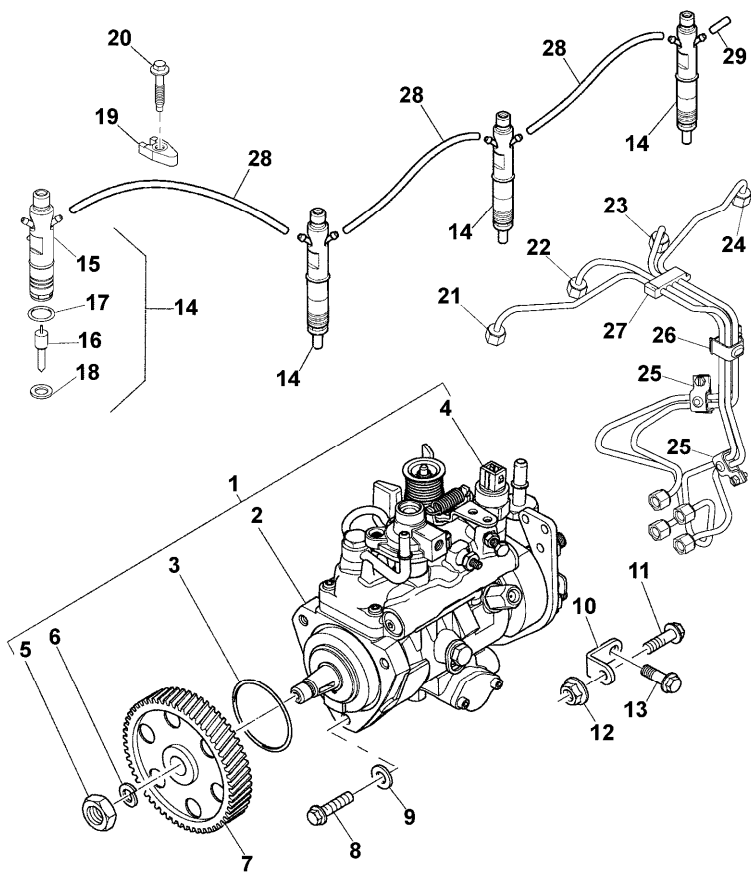
A-01
09



A0109

Fuel injection equipment (diesel)

CP02\000032.917.png



Inglese

- | | | | |
|----|----------|---|-------|
| 20 | 2314W009 | 4 | Screw |
| 21 | 3525A101 | 1 | Pipe |
| 22 | 3525A102 | 1 | Pipe |
| 23 | 3525A103 | 1 | Pipe |
| 24 | 3525A104 | 1 | Pipe |
| 25 | 2481Y011 | 2 | Clip |
| 26 | 2481Y012 | 1 | Clip |
| 27 | 2646E019 | 1 | Clip |
| 28 | 2646F501 | 3 | Pipe |
| 29 | 2646E501 | 1 | Cap |
- ! This is a component of an assembly
 Not serviced, order
 Replacement
(X) Qty per tractors sold (aa.bbb.ccc.ddd) (aa) for 1,(bbb) 2-10 (ccc) 11-25 (ddd) 26-50
T-A Replacement

Engine

T series tier 3 (2007-2010) - CP02 - T 100 f-m-c

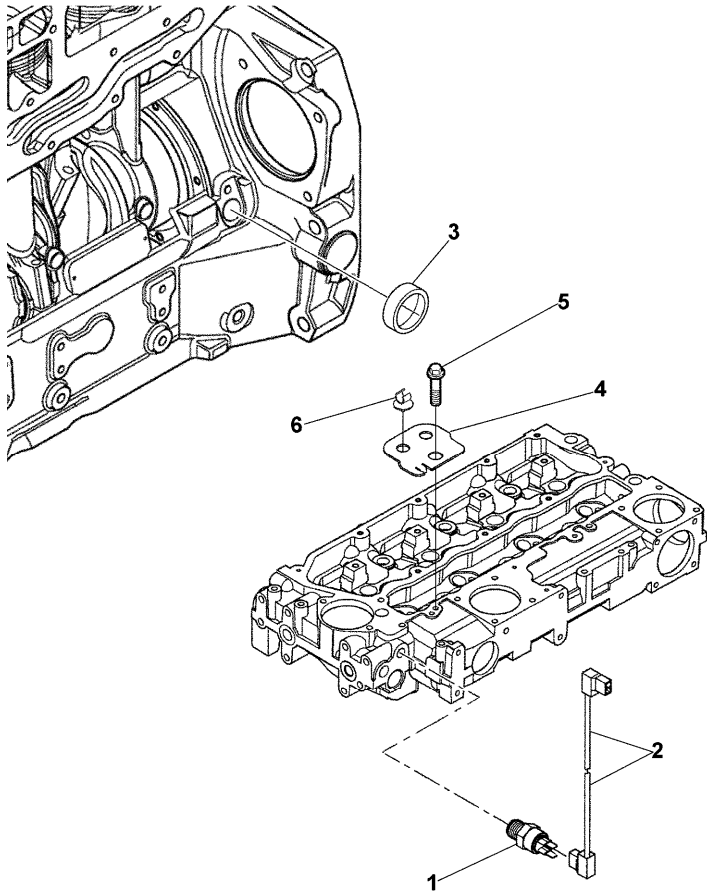
CP02\000032.904.png

A-01
10



A0110

Sensor pickup,start and stop control



- 1 2848A127 A
T-A 0:50
- 2 3161C017
- 3 2485A109
- 4 3653A017
- 5 2314H002
- 6 2481D456

T-A Replacement
A Engine water temperature

Inglese

- 1 Sensor
- 1 Cable
- 1 Plug
- 1 Stirrup
- 1 Screw
- 1 Clip

Engine

T series tier 3 (2007-2010) - CP02 - T 100 f-m-c

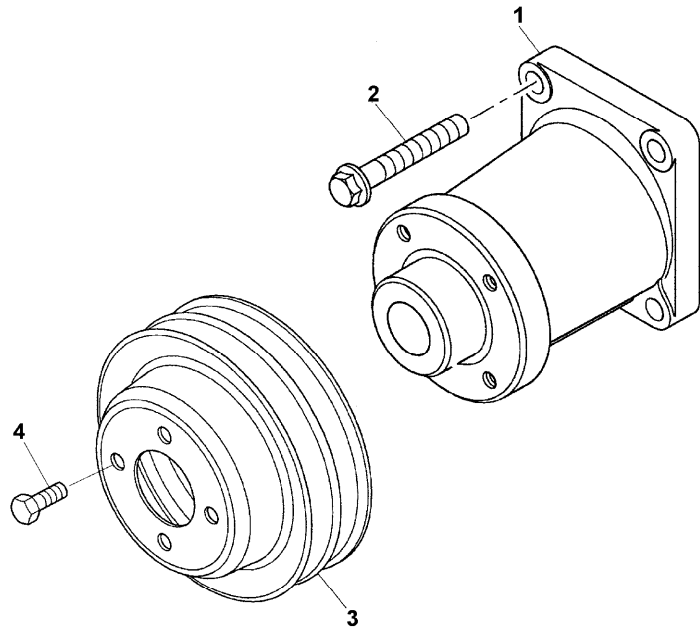
CP02\000015079.png

A-01
11



A0111

Fan-type pulley



- 1 4113K005 T-A 1:75
 - 2 2314J005
 - 3 3115C161 T-A 1:50
 - 4 2314C044
- T-A Replacement

Inglese

- 1 Housing
- 4 Screw
- 1 Pulley
- 4 Screw

Engine

T series tier 3 (2007-2010) - CP02 - T 100 f-m-c

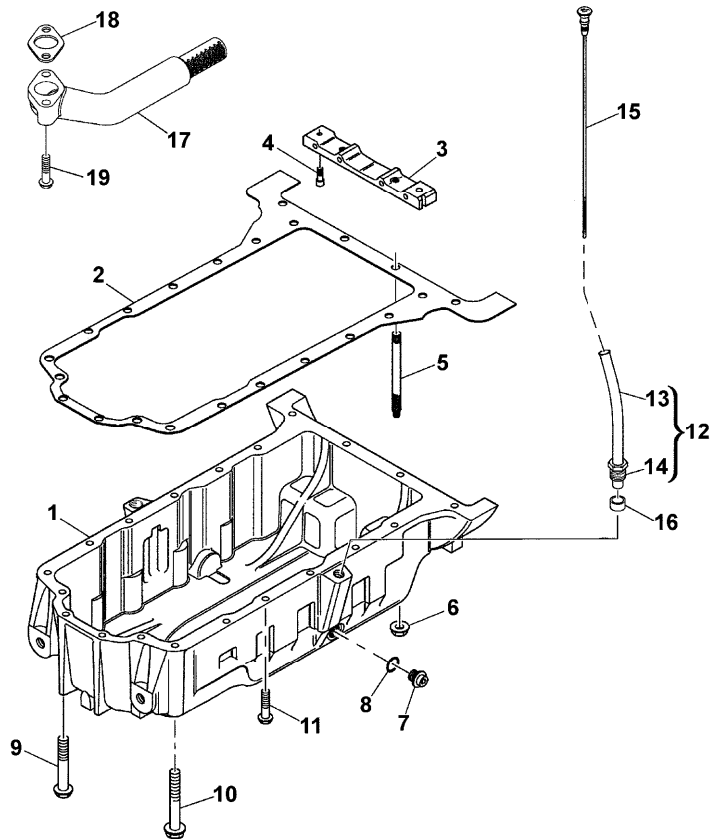
CP02\000032.905.png

A-01
12



A0112

Lubricating oil sump



1	3717E272			
2	3681K036	(X)	1.2.5.	
		T-A	1:50	
3	3627P041	T-A	1:50	
4	2311D039			
5	3211P013			
6	2318A603			
7	32186405	T-A	0:25	
8	2415715	T-A	0:25	
9	2314H023			
10	2314H022	●	2314H052(1)	
11	2314H015			
12	3577A125	T-A	0:25	
13		!	12	
		▶	Ref.n.12	
14	3353D005	!	12	
15	3178C081	T-A	0:25	
16	33812116			
17	3765A091	T-A	1:75	
18	36832137	T-A	1:75	
19	2314H006			

Inglese

1	Crankcase
1	Gasket
1	Crosspiece
2	Screw
2	Stud
2	Nut
1	Plug
1	Ring
5	Screw
1	Screw
12	Screw
1	Pipe
1	Pipe
1	Nut
1	Rod
1	Olive
1	Pipe
1	Gasket
2	Screw

! This is a component of an assembly

▶ Not serviced, order

● Replacement

(X) Qty per tractors sold (aa.bbb.ccc.ddd) (aa) for 1,(bbb) 2-10 (ccc) 11-25 (ddd) 26-50

T-A Replacement

Engine

T series tier 3 (2007-2010) - CP02 - T 100 f-m-c

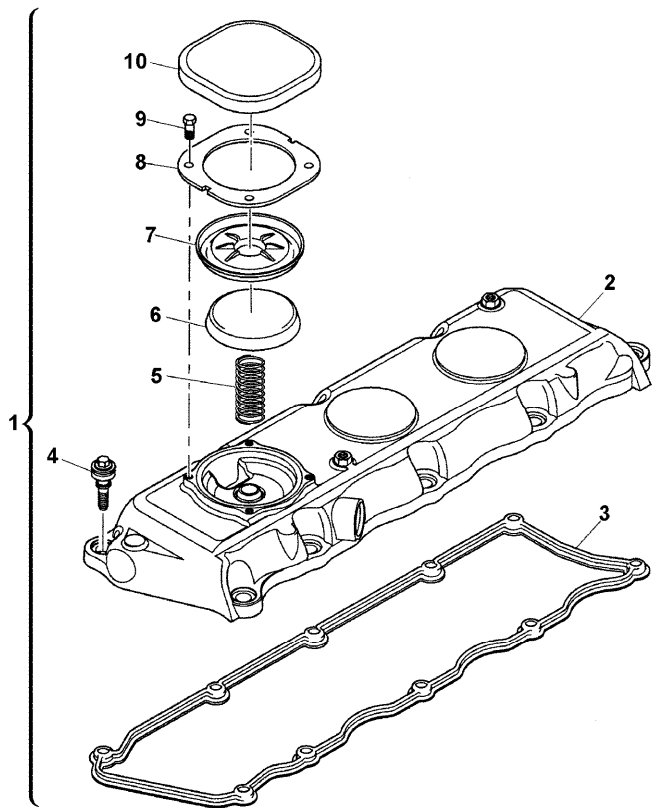
CP02\000020533.png

**A-01
13**



A0113

Cylinder head cover



		Inglese	
1	4142X325	● T417478(1)	1 Coperch.
2		! 1	1 Cover
3	3681A055	▣ Ref.n.1	1 Gasket
		(X) 1.2.5.	
4		T-A 1:0	10 Screw
5	3174A017	▣ Ref.n.1	1 Spring
		! 1	
6	3788A002	T-A 0:25	1 Cap
		! 1	
7	3789A001	T-A 0:25	1 Diaphragm
		! 1	
8	3615A009	T-A 0:25	1 Plate
		! 1	
9	2151A001	T-A 0:25	4 Screw
		! 1	
10	3788A003	T-A 0:25	1 Cap
		! 1	
		T-A 0:25	
	!	This is a component of an assembly	
	▣	Not serviced, order	
	●	Replacement	
	(X)	Qty per tractors sold (aa.bbb.ccc.ddd) (aa) for 1,(bbb) 2-10 (ccc) 11-25 (ddd) 26-50	
	T-A	Replacement	

Engine

T series tier 3 (2007-2010) - CP02 - T 100 f-m-c

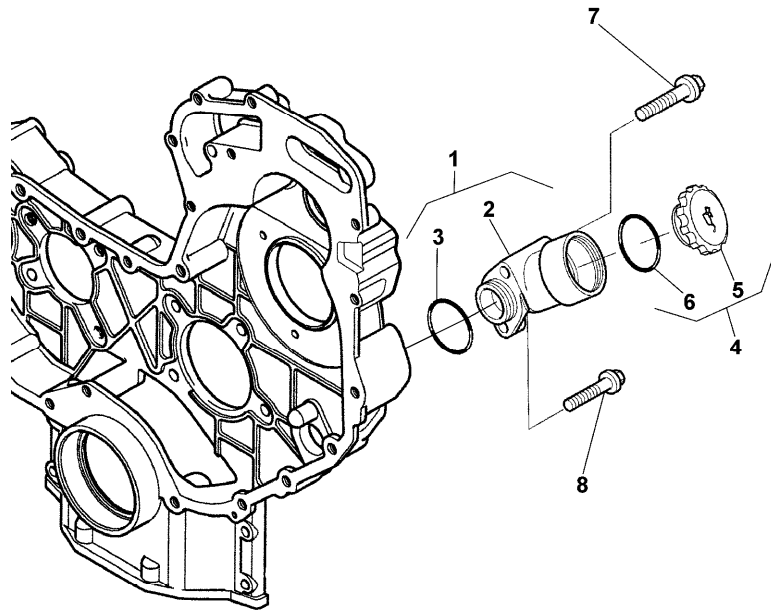
CP02\000032.907.png

**A-01
14**



A0114

Filler



		Inglese	
1	4134C043	● 4134C072(1) T-A 0:25	1 Filler
2		! 1 ➡ Ref.n.1	1 Body
3	2415B148	! 1 T-A 0:25	1 O ring
4	4142X098	! 1 (X) 1.3.5.1 T-A 0:25	1 Plug
5		! 4 ➡ Ref.n.4	1 Plug
6	2415633	! 4 T-A 0:25	1 O ring
7	2314K161		1 Screw
8	2314H005		1 Screw
		!	This is a component of an assembly
		➡	Not serviced, order
		●	Replacement
		(X)	Qty per tractors sold (aa.bbb.ccc.ddd) (aa) for 1,(bbb) 2-10 (ccc) 11-25 (ddd) 26-50
		T-A	Replacement



Suggest:

For more complete manuals. Please go to the home page.

<https://www.ebooklibonline.com>

If the above button click is invalid. Please download this document first, and then click the above link to download the complete manual.

Thank you so much for reading

Engine

T series tier 3 (2007-2010) - CP02 - T 100 f-m-c

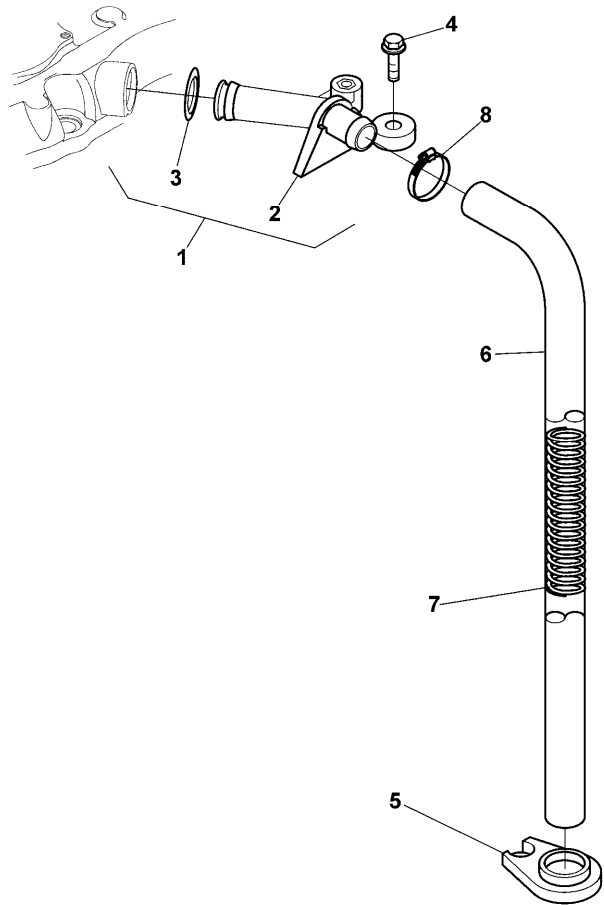
CP02\000032.918.png

A-01
15



A0115

Breather



- 1 4133J011
 - 2 ! 1
 - 3 2415A068 ! 1
 - 4 2314F005
 - 5 36241123 T-A 0:25
 - 6 33872632 T-A 0:25
 - 7 3175P003
 - 8 2481877
- ! This is a component of an assembly
 ▣ Not serviced, order
 T-A Replacement

Inglese

- 1 Pipe
- 1 Pipe
- 1 Ring
- 2 Screw
- 1 Support
- 1 Pipe
- 1 Spring
- 1 Clamp

Engine

T series tier 3 (2007-2010) - CP02 - T 100 f-m-c

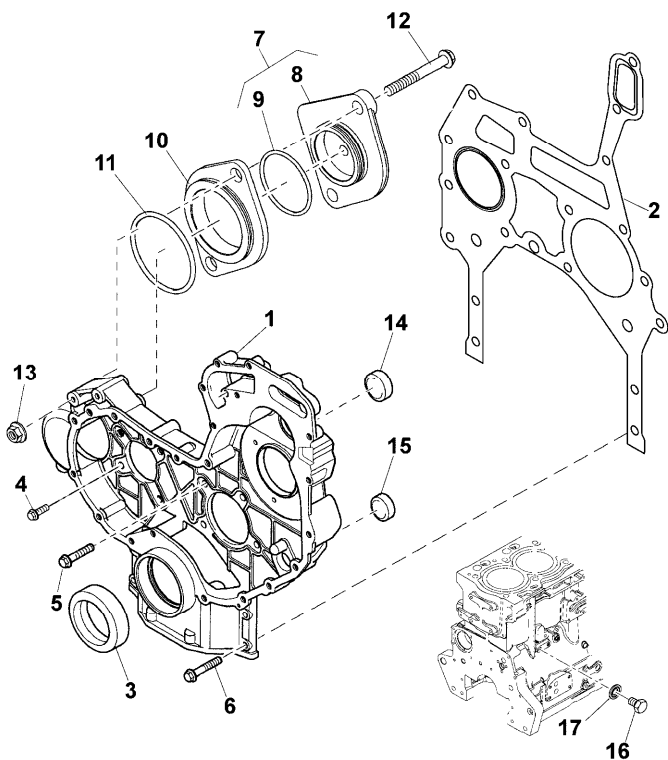
**A-01
16**



A0116

Gasket sets

CP02\000032.908.png



		Inglese
1	3716C581	1 Housing
2	3681P053	1 Gasket
3	2418F437	1 Seal
4	2314H003	6 Screw
5	2314H006	2 Screw
6	2314H034	4 Screw
7	4148K012	1 Plate
8	!	7
	➡	Ref.n.7
9	2415H515	! 7
10	3617A021	1 Ring
11	2415H516	1 Disc
12	2314J014	1 O ring
13	2318A604	2 Screw
14	2485A124	2 Nut
15	2485A118	1 Plug
16	2314C049	1 Plug
17	2415D053	1 Screw
	!	1 Washer

! This is a component of an assembly

➡ Not serviced, order

T-A Replacement

<https://www.ebooklibonline.com>

Hello dear friend!

Thank you very much for reading.

Enter the link into your browser.

The full manual is available for immediate download.

<https://www.ebooklibonline.com>