

Engine

T series Restyling (2011-) - CP03 - T 100 f-m-c

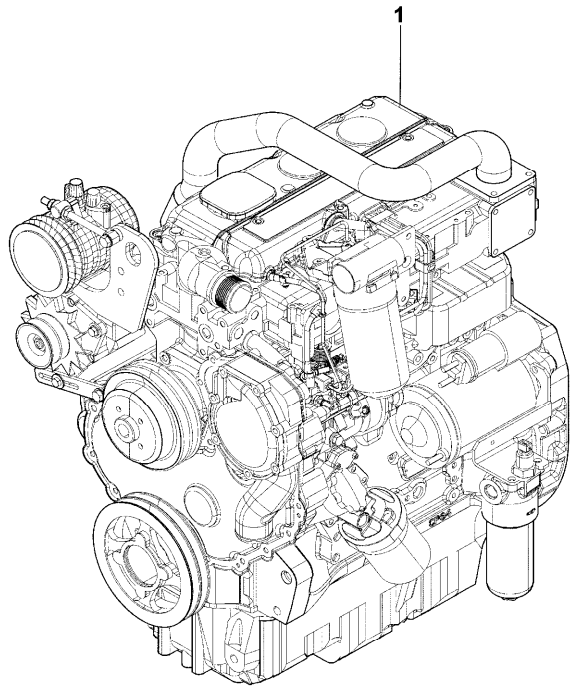
CP03\00005170.png

A-05
01



A0501

Engine assembly



		Inglese	
1	3696814M91	Perkins n138934 -	1 Engine
1	6510955M91	Perkins n151728 -	1 Engine
		A	
1	6512076M91	Perkins n182004 -	1 Engine
		B	
		C	
A	Tier 3b		
B	Flexibility engine		
C	Cee		

Engine

T series Restyling (2011-) - CP03 - T 100 f-m-c

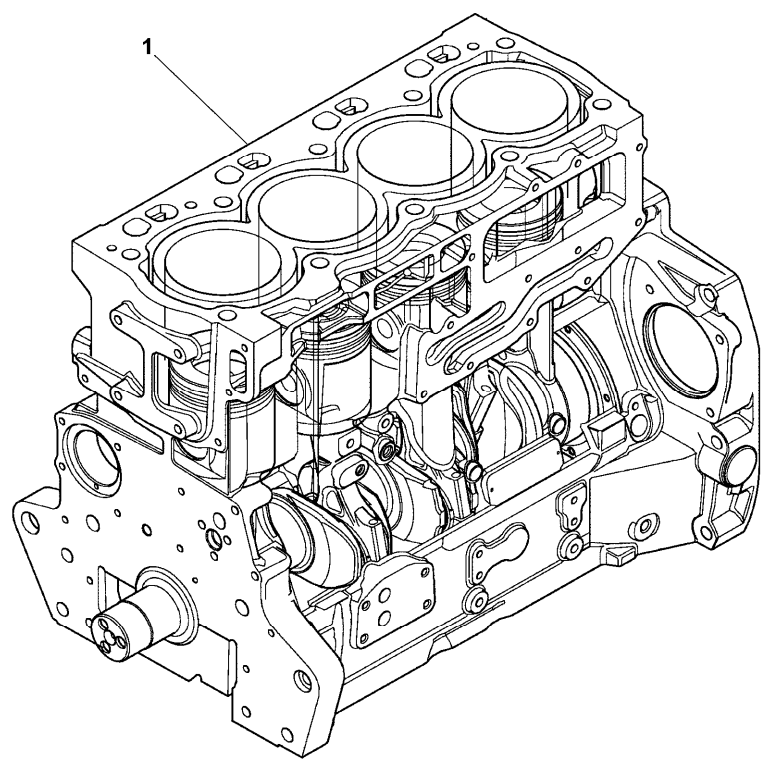
CP03\000015070.png

A-05
02









A0502

Short engine



Inglese

- 1 NM40008  U056074 t 1 Short engine
-  3115A141(1),
32186146(3), NM4
- 1 NM40019  U056075 t 1 Short engine

-  From serial or engine number
-  Up to serial or engine number
-  Replacement

Engine

T series Restyling (2011-) - CP03 - T 100 f-m-c

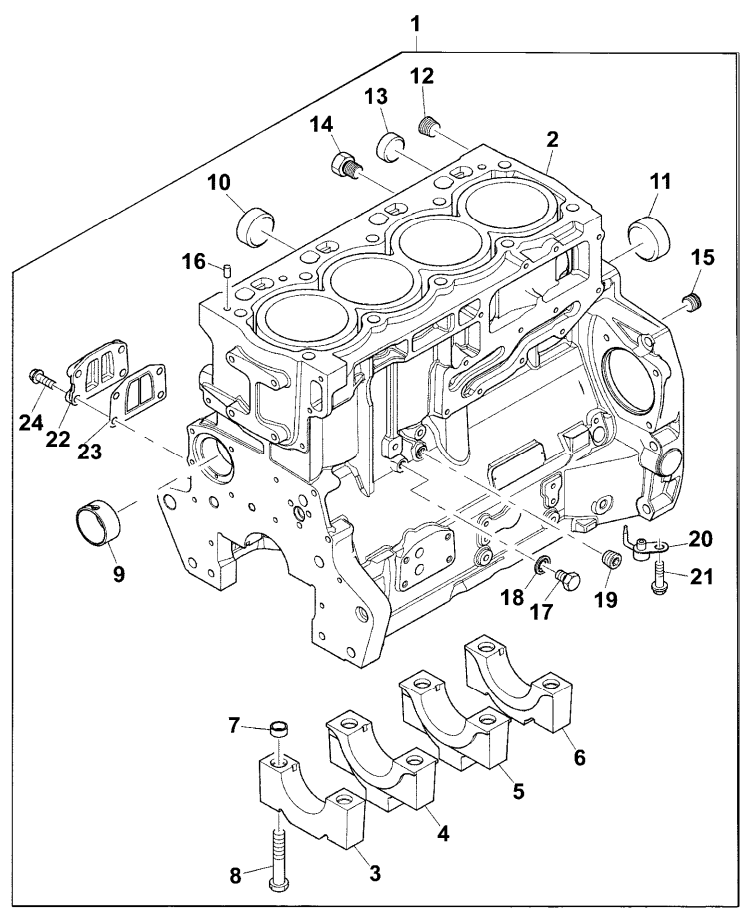
CP03\000015072.png

**A-05
03**



A0503

Cylinder block



		Inglese	
1	ZZ50321	● ZZ50325(1)	1 Block
2		! 1	1 Cylinder block
3		➡ Ref.n.1	
4		! 1	1 Bearing
5		➡ Ref.n.1	
6		! 1	2 Bearing
7	33142111	! 1	1 Bearing
8	32166329	! 1	1 Bearing
9	3112D071	! 1	10 Manicott
10	3241A011	! 1	10 Screw
11	3241A012	! 1	1 Bush
12	0650588	! 1	● 3112D075(1)
13	0650710	! 1	2 Plug
14	32141316	! 1	1 Plug
15	3212P008	! 1	1 Plug
16	3244A009	! 1	1 Plug
17	2314C049	! 1	2 Dowel
18	2415D053	! 1	1 Screw
19	0650594	! 1	1 Washer
			1 Plug

<https://www.ebooklibonline.com>

Hello dear friend!

Thank you very much for reading.

Enter the link into your browser.

The full manual is available for immediate download.

<https://www.ebooklibonline.com>

Engine

T series Restyling (2011-) - CP03 - T 100 f-m-c

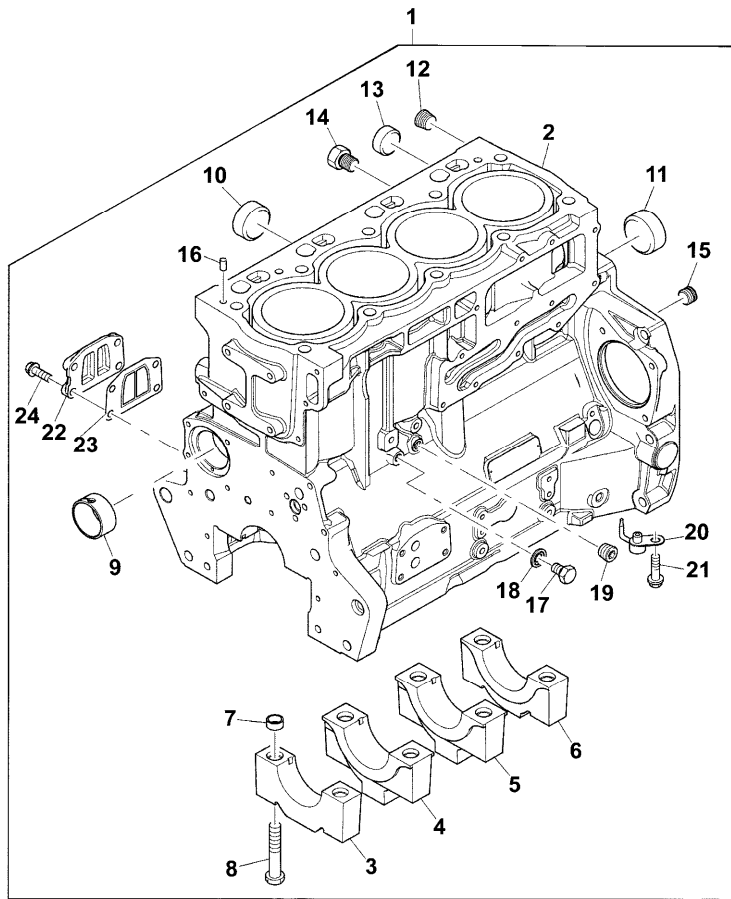
CP03\000015072.png

A-05
03



A0503

Cylinder block



20	2113A003	!	1
21	2314F001	!	1
22	3753A071	!	1
23	3688A041	!	1
24	2314H034	!	1

- ! This is a component of an assembly
- ▣ Not serviced, order
- Replacement

Inglese

4	Atomiser
4	Screw
1	Coperch.
1	Ring
4	Screw

Engine

T series Restyling (2011-) - CP03 - T 100 f-m-c

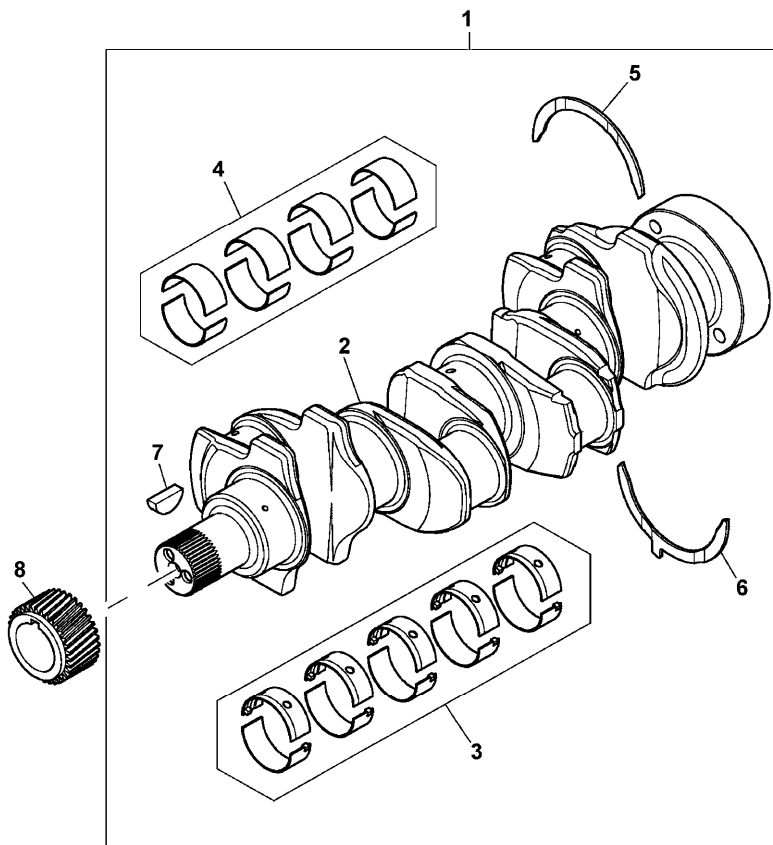
CP03\000015073.png

A-05
04



A0504

Camshaft



		Inglese	
1	ZZ90222	➔ U056074 t	1 Kit
		● ZZ90239(1)	
1	ZZ90237	➔ U056075 t	1 Shaft
2		! 1	1 Shaft
		➔ Ref.n.1	
3	U5MB0018	! 1	1 Kit
		➔ U056074 t	
		● U5MB0033(1)	
		T-A 15:0	
3	U5MB0018A	! 1	1 Kit
		⚡ (+) 0.010"	
		➔ U056074 t	
		● U5MB0033A(1)	
		T-A 15:0	
3	U5MB0018B	! 1	1 Kit
		⚡ (+) 0.020"	
		➔ U056074 t	
		● U5MB0033B(1)	
		T-A 15:0	
3	U5MB0018C	! 1	1 Kit
		⚡ (+) 0.030"	
		➔ U056074 t	
		● N.L.A.(1)	
		T-A 15:0	
3	U5MB0033	! 1	1 Kit
		➔ U056075 t	

Engine

T series Restyling (2011-) - CP03 - T 100 f-m-c

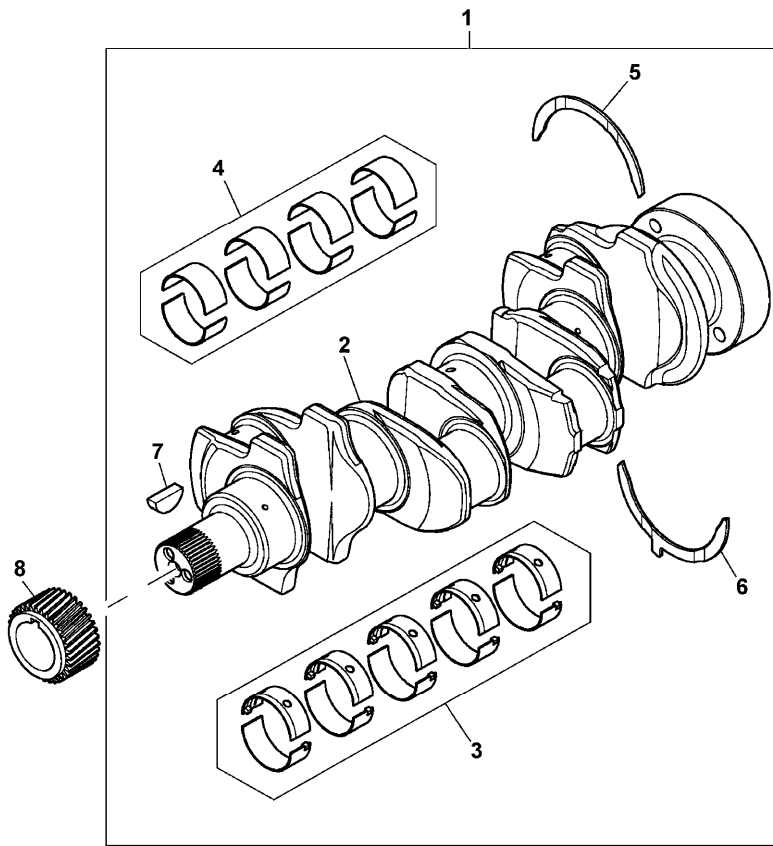
CP03\000015073.png

A-05
04



A0504

Camshaft



Inglese

3	U5MB0033A	!	1	1 Kit
		⚡	-0,25mm	
		➡	U056075 t	
3	U5MB0033B	!	1	1 Kit
		⚡	-0,50mm	
		➡	U056075 t	
3	U5MB0033C	!	1	1 Kit
		⚡	-0,75mm	
		➡	U056075 t	
		●	N.L.A.(1)	
4	T400002	!	1	1 Kit
		➡	U056075 t	
		●	T410927(1)	
4	U5ME0026	!	1	1 Kit
		➡	U056074 t	
		●	U5ME0034(1)	
4	U5ME0026A	!	1	1 Kit
		⚡	(+) 0.25mm	
		➡	U056074 t	
		●	U5ME0034A(1)	
4	U5ME0026B	!	1	1 Kit
		⚡	(+) 0.50mm	
		➡	U056074 t	
		●	U5ME0034B(1)	

Engine

T series Restyling (2011-) - CP03 - T 100 f-m-c

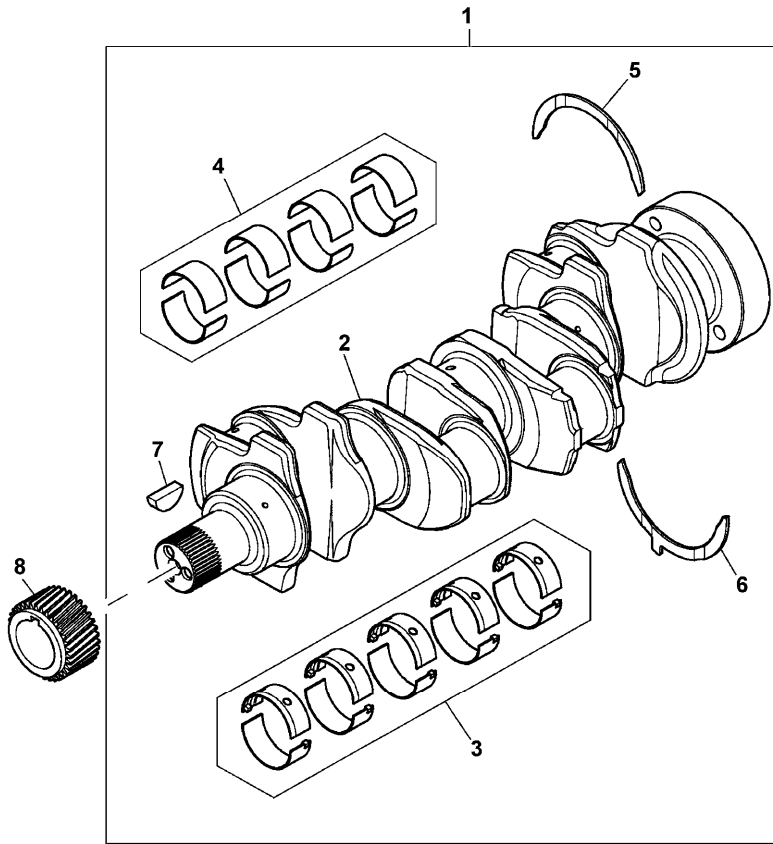
CP03\000015073.png

A-05
04



A0504

Camshaft



		Inglese	
4	U5ME0026C	! 1	1 Kit
		⚡ (+) 0.75mm	
		➡ U056074 t	
		● U5ME0034C(1)	
5	31137312	! 1	2 Ring
		⚡ (+) 0.007"	
		T-A 15:0	
5	31137551	! 1	2 Washer
		T-A 15:0	
6	31137322	! 1	2 Ring
		⚡ (+) 0.007"	
		T-A 15:0	
6	31137561	! 1	2 Washer
		T-A 15:0	
7	0500012	! 1	1 Key
		T-A 10:0	
8	3117C221	T-A 10:0	1 Gear
		! This is a component of an assembly	
		➡ From serial or engine number	
		➡ Up to serial or engine number	
		🚫 Not serviced, order	
		⚡ Shim	
		● Replacement	
		T-A Replacement	

Engine

T series Restyling (2011-) - CP03 - T 100 f-m-c

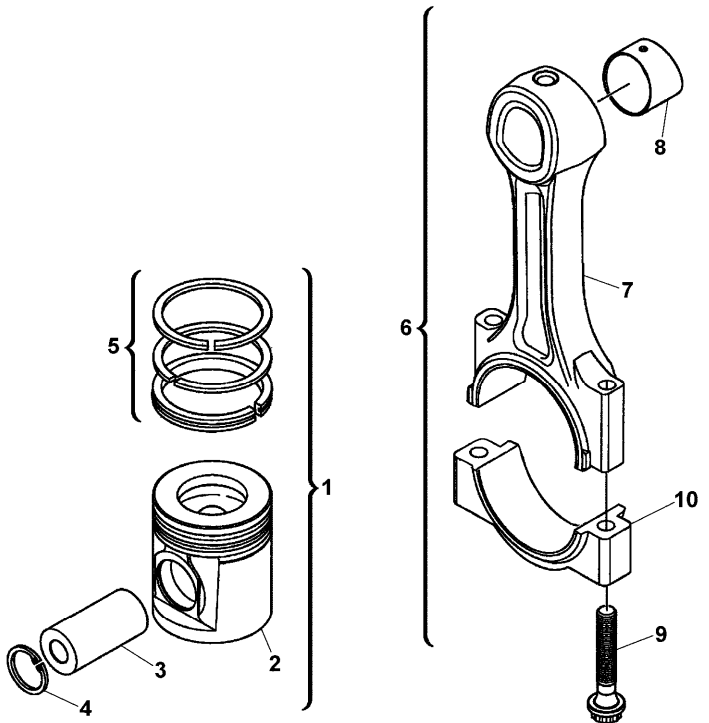
A-05
05



A0505

Pistons and connecting rods

CP03\000032.901.png



			Inglese
1	U5PR0062	Std	4 Kit
1	U5PR0062B	+0,5 mm	4 Kit
2		! 1	1 Piston
		➡ Ref.n.1	
3		! 1	1 Pin
		➡ Ref.n.1	
4	2721332	! 1	2 Ring
5	UPRK0005	! 1	1 Kit
6	4115C311	➡ U056074 t	4 Kit
		A	
		T-A 14:0	
6	4115C312	➡ U056074 t	4 Kit
		B	
		T-A 14:0	
6	4115C313	➡ U056074 t	4 Kit
		C	
		T-A 14:0	
6	4115C314	➡ U056074 t	4 Kit
		D	
		T-A 14:0	
6	4115C315	➡ U056074 t	4 Kit
		E	
		T-A 14:0	
6	4115C316	➡ U056074 t	4 Kit
		F	
		T-A 14:0	

Engine

T series Restyling (2011-) - CP03 - T 100 f-m-c

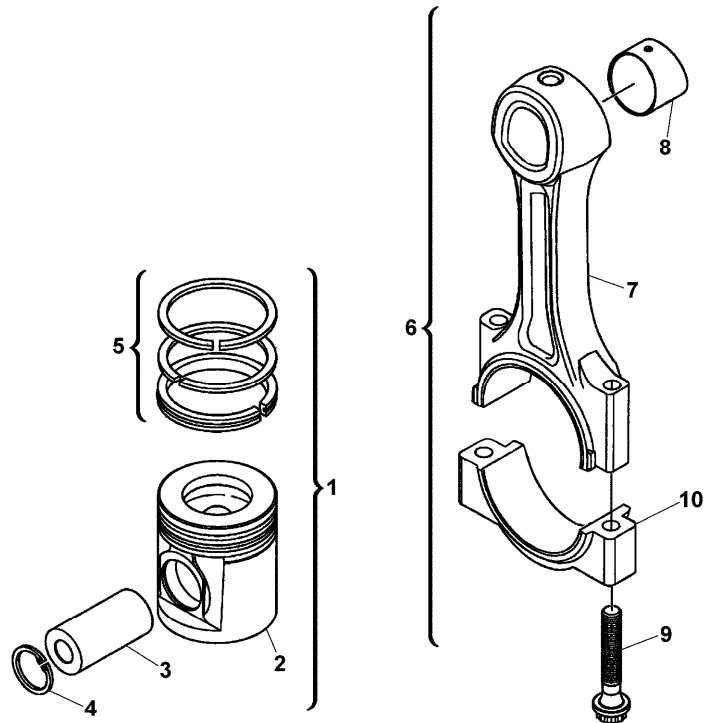
CP03\000032.901.png

A-05
05



A0505

Pistons and connecting rods



		Inglese	
6	4115C361	➡ U056075 t	4 Conrod
		A	
6	4115C362	➡ U056075 t	4 Conrod
		B	
6	4115C363	➡ U056075 t	4 Conrod
		C	
6	4115C364	➡ U056075 t	4 Conrod
		D	
6	4115C365	➡ U056075 t	4 Conrod
		E	
6	4115C366	➡ U056075 t	4 Conrod
		F	
7	!	6	1 Conrod
		➡ Ref.n.6	
8	3112A005	!	6
		T-A 14:0	
9	3212V003	!	6
		➡ U056074 t	
9	T400001	!	6
		➡ U056075 t	
10	!	6	1 Guard
		➡ Ref.n.6	

- ! This is a component of an assembly
- ➡ From serial or engine number
- ➡ Up to serial or engine number
- ➡ Not serviced, order
- T-A Replacement

Engine

T series Restyling (2011-) - CP03 - T 100 f-m-c

CP03\000032.901.png

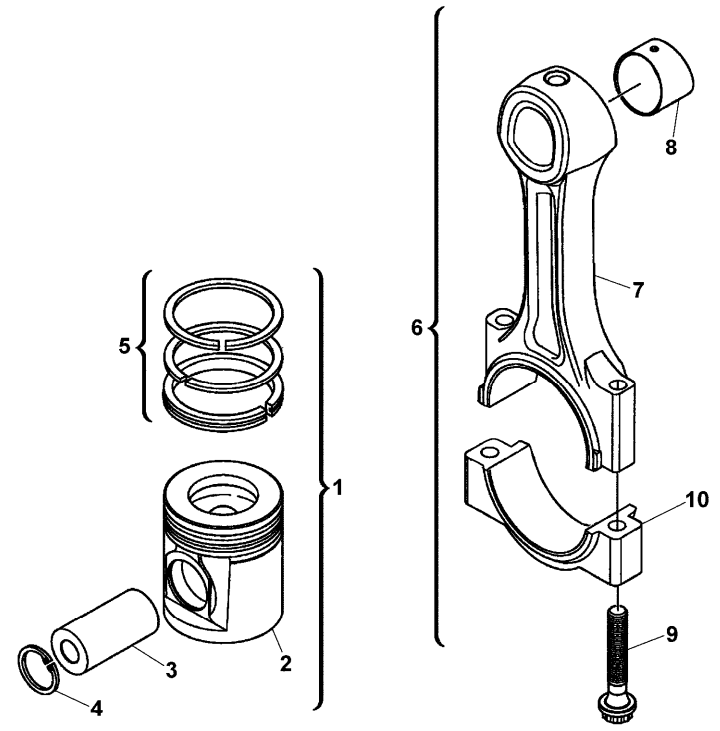
A-05
05



A0505

Pistons and connecting rods

- A Red
- B Orange
- C White
- D Green
- E Purple
- F Blue



Engine

T series Restyling (2011-) - CP03 - T 100 f-m-c

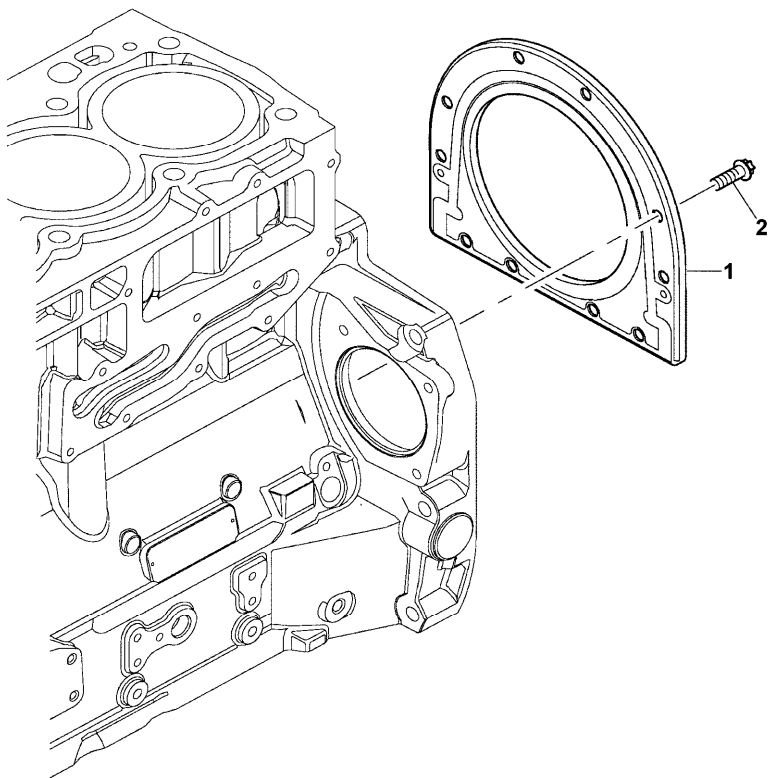
CP03\000015074.png

A-05
06



A0506

End cover



1 2418F704 T-A 9:0

2 3211C002

T-A Replacement

Inglese

1 Housing

10 Screw

Engine

T series Restyling (2011-) - CP03 - T 100 f-m-c

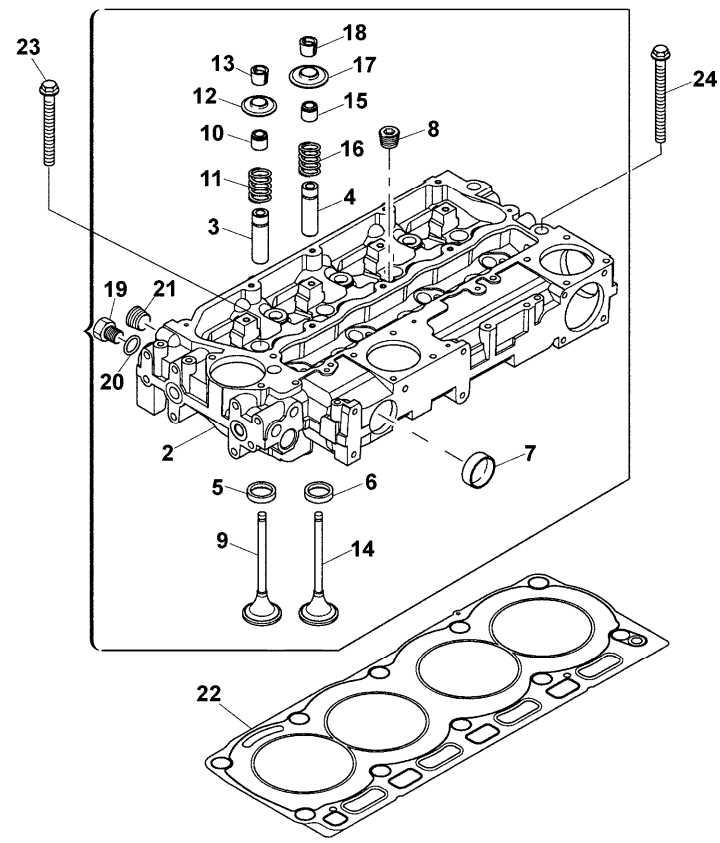
CP03\000020527.png

**A-05
07**



A0507

Cylinder head



			Inglese
1	ZZ80280		1 Cylinder head
2		! 1	1 Body
		➡ Ref.n.1	
3	3313A012	! 1	4 Insert
4	3313A012	! 1	4 Insert
5	3314A221	! 1	4 Insert
6	3314A231	! 1	4 Insert
7	32416117	! 1	2 Plug
8	0650588	! 1	4 Plug
9	3142H101	! 1	4 Valve
10	2418M519	! 1	4 Ring
		A	
11	3174A031	! 1	4 Spring
		● T417479(4)	
12	3342A021	! 1	4 Coperch.
13	2714A002	! 1	8 Collar
14	3142A171	! 1	4 Valve
15	2418M517	! 1	4 Ring
		B	
16	3174A031	! 1	4 Spring
		● T417479(4)	
17	3342A021	! 1	4 Coperch.
18	2714A002	! 1	8 Collar
19	3278A006	! 1	1 Plug
20	2415H003	! 1	1 Ring

Engine

A-05
07

Cylinder head

T series Restyling (2011-) - CP03 - T 100 f-m-c

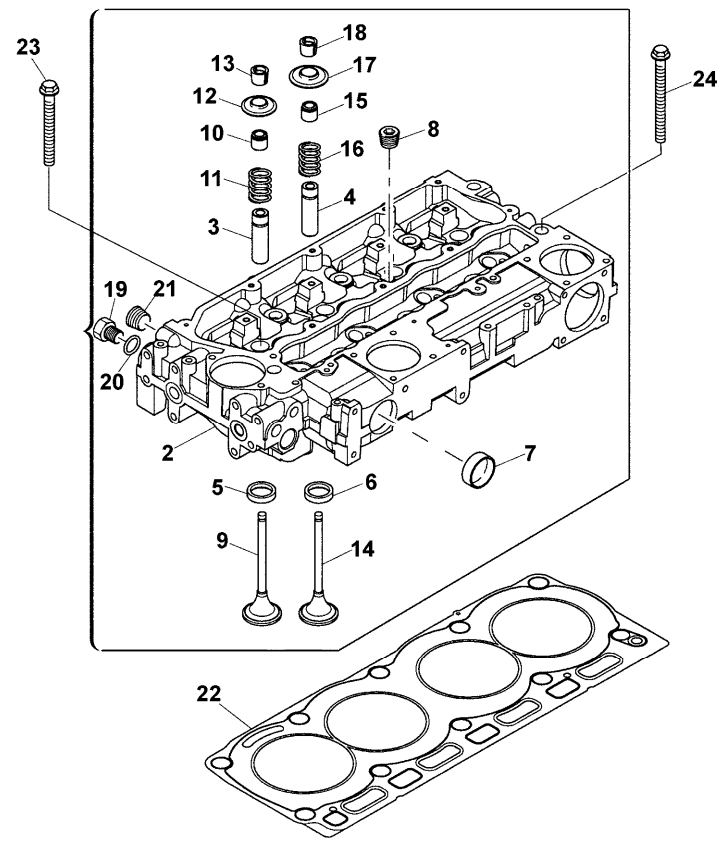


A0507

CP03\000020527.png

Inglese

- 21 2431154 ! 1 1 Plug
- 22 3681E051 1 Gasket
- 23 3218A011 7 Screw
- 24 3218A012 3 Screw
- ! This is a component of an assembly
- 🔧 Not serviced, order
- ⬇ Replacement
- A Green
- B Brown



Engine

T series Restyling (2011-) - CP03 - T 100 f-m-c

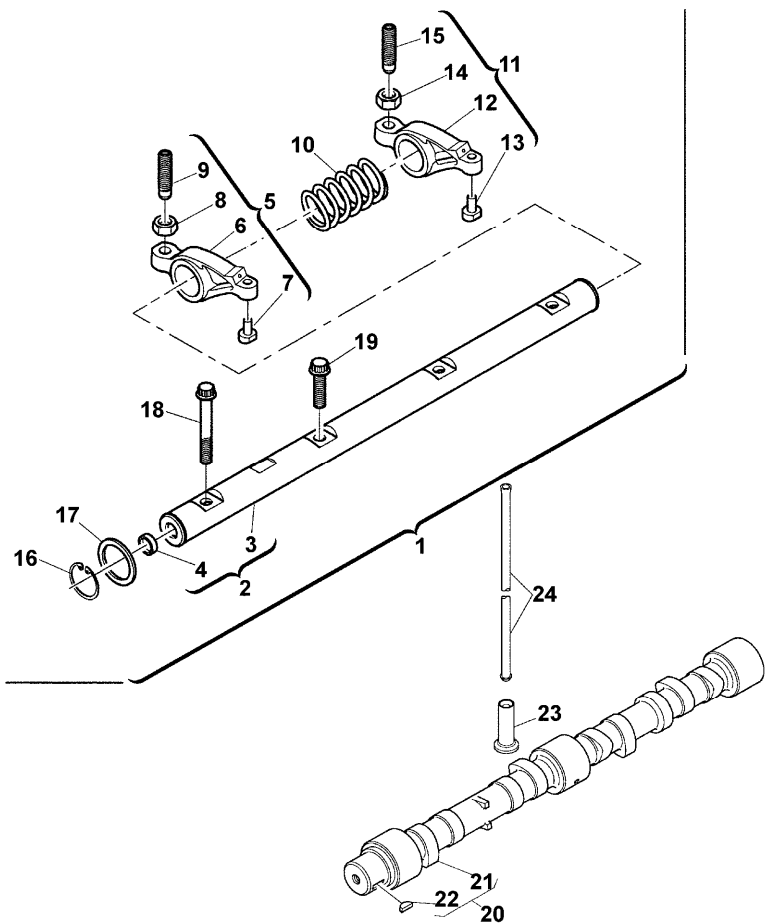
CP03\000032.902.png

A-05
08



A0508

Rocker shaft



		Inglese	
1	4115R613		1 Axle
2	4115R703	! 1	1 Shaft
		T-A 4:0	
3		! 2	1 Axle
		➡ Ref.n.2	
4	2485A104	! 2	2 Plug
5	4115R319	! 1	4 Lever
6		! 5	1 Rocker
		➡ Ref.n.5	
7		! 5	1 Pad
		➡ Ref.n.5	
8	3331A006	! 5	1 Nut
9	3211C004	! 5	1 Screw
10	3174A015	! 1	3 Spring
		T-A 4:0	
11	4115R318	! 1	4 Lever
12		! 11	1 Rocker
		➡ Ref.n.11	
13		! 11	1 Pad
		➡ Ref.n.11	
14	3331A006	! 11	1 Nut
15	3211C004	! 11	1 Screw
16	2722A022	! 1	2 Ring
17	2134A502	! 1	2 Washer
18	2316A901	! 1	1 Screw

Engine

T series Restyling (2011-) - CP03 - T 100 f-m-c

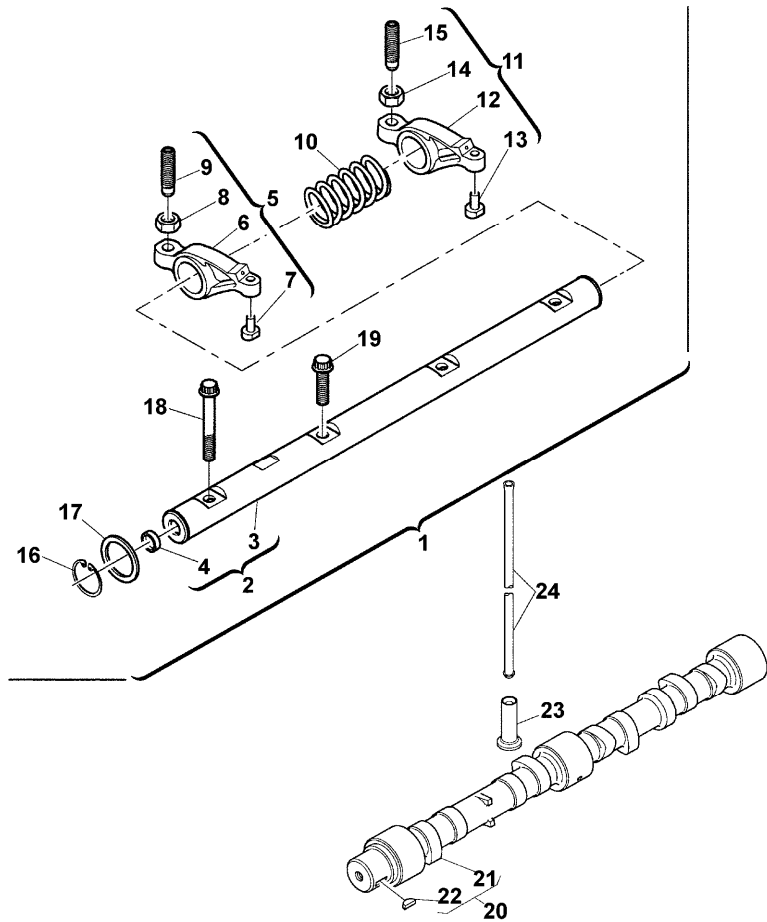
CP03\000032.902.png

A-05
08



A0508

Rocker shaft



Inglese

19	2316A902	!	1	3	Screw
20	4112K075	●	4112K077(1)	1	Shaft
21		!	20	1	Shaft
		➡	Ref.n.20		
22	0500012	!	20	1	Key
23	3142U061			8	Tappet
24	3142V011			8	Rod

- ! This is a component of an assembly
- ➡ Not serviced, order
- Replacement
- T-A Replacement

Engine

T series Restyling (2011-) - CP03 - T 100 f-m-c

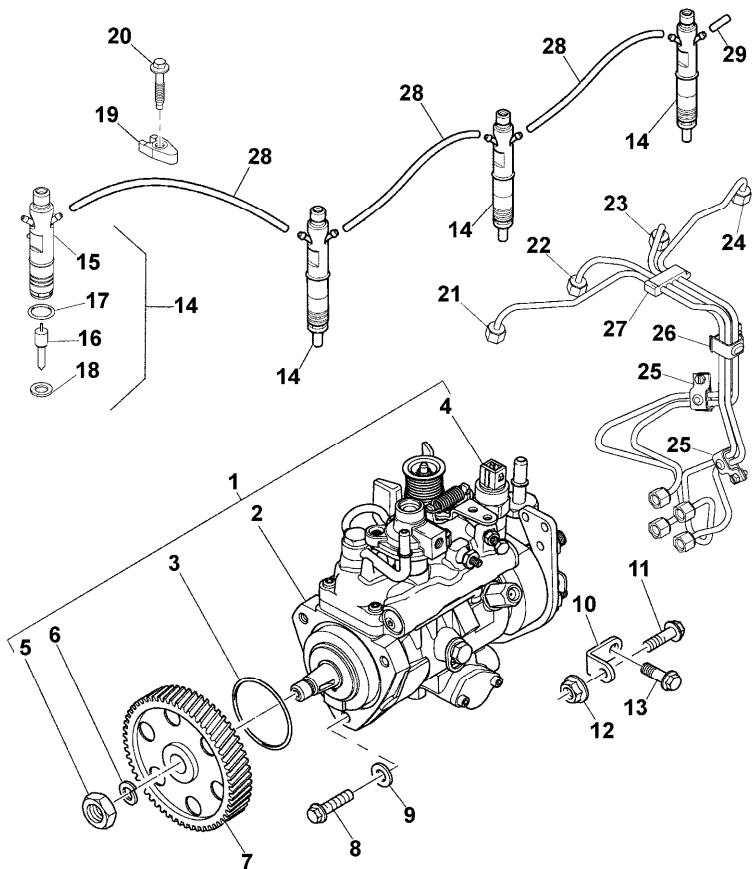
CP03\000032.917.png

A-05
09



A0509

Fuel injection equipment (diesel)



		Inglese
1	2644C314/22	● 2644C314/23(1) 1 Pump
2		! 1 1 Pump
3	26420318	➡ Ref.n.1 1 Ring
4	26420469	! 1 1 Solenoid
		T-A 4:50
		(X) 1.2.5.
		T-A 0:25
5	2318A108	! 1 1 Nut
6	K134AF01	! 1 1 Washer
7	3117L261	1 Gear
8	2314H004	3 Screw
9	2411D008	3 Washer
10	3641A007	1 Stirrup
11	2314H003	1 Screw
12	2318A603	1 Nut
13	2314J002	1 Screw
14	2645K025	4 Nozzle
15		! 14 1 Support
		➡ Ref.n.14
16		! 14 1 Nozzle
		➡ Ref.n.14
17	26460064	! 14 1 Ring
18	L311FF02	! 14 1 Washer
19	3751A241	4 Clamp

Engine

T series Restyling (2011-) - CP03 - T 100 f-m-c

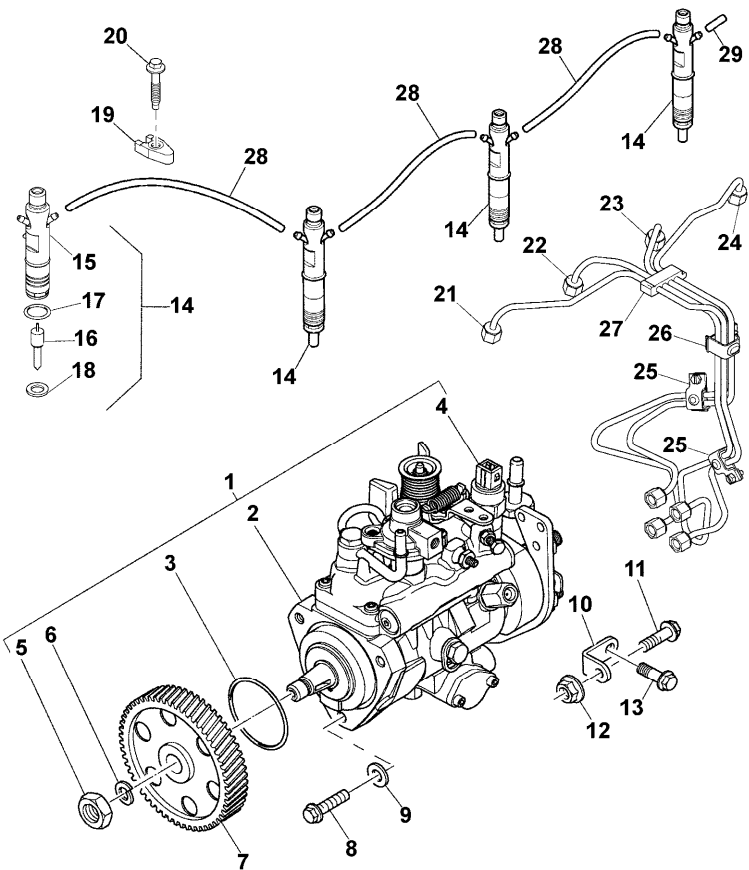
A-05
09



A0509

Fuel injection equipment (diesel)

CP03\000032.917.png



Inglese

- 20 2314W009
- 21 3525A101
- 22 3525A102
- 23 3525A103
- 24 3525A104
- 25 2481Y011
- 26 2481Y012
- 27 2646E019
- 28 2646F501
- 29 2646E501

- 4 Screw
- 1 Pipe
- 1 Pipe
- 1 Pipe
- 1 Pipe
- 2 Clip
- 1 Clip
- 1 Clip
- 3 Pipe
- 1 Cap

- ! This is a component of an assembly
- ▣ Not serviced, order
- Replacement
- (X) Qty per tractors sold (aa.bbb.ccc.ddd) (aa) for 1,(bbb) 2-10 (ccc) 11-25 (ddd) 26-50
- T-A Replacement

Engine

T series Restyling (2011-) - CP03 - T 100 f-m-c

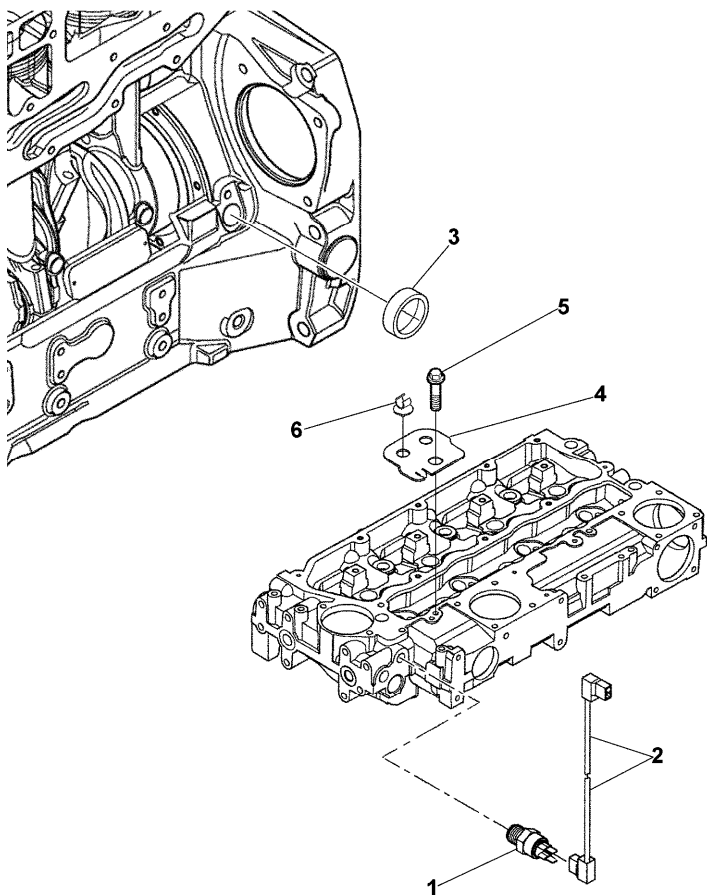
CP03\000032.904.png

A-05
10



A0510

Sensor pickup,start and stop control



1 2848A123 A
T-A 0:50

2 3161C017

3 2485A109

4 3653A017

5 2314H002

6 2481D456

T-A Replacement

A Engine water temperature

Inglese

1 Sensor

1 Cable

1 Plug

1 Stirrup

1 Screw

1 Clip

Engine

T series Restyling (2011-) - CP03 - T 100 f-m-c

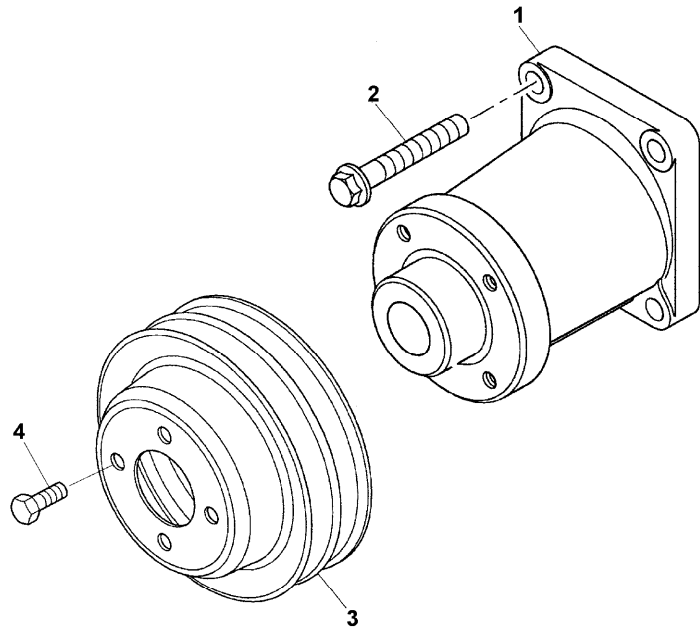
CP03\000015079.png

A-05
11



A0511

Fan-type pulley



- 1 4113K005 T-A 1:75
 - 2 2314J005
 - 3 3115C161 T-A 1:50
 - 4 2314C044
- T-A Replacement

Inglese

- 1 Housing
- 4 Screw
- 1 Pulley
- 4 Screw

Engine

T series Restyling (2011-) - CP03 - T 100 f-m-c

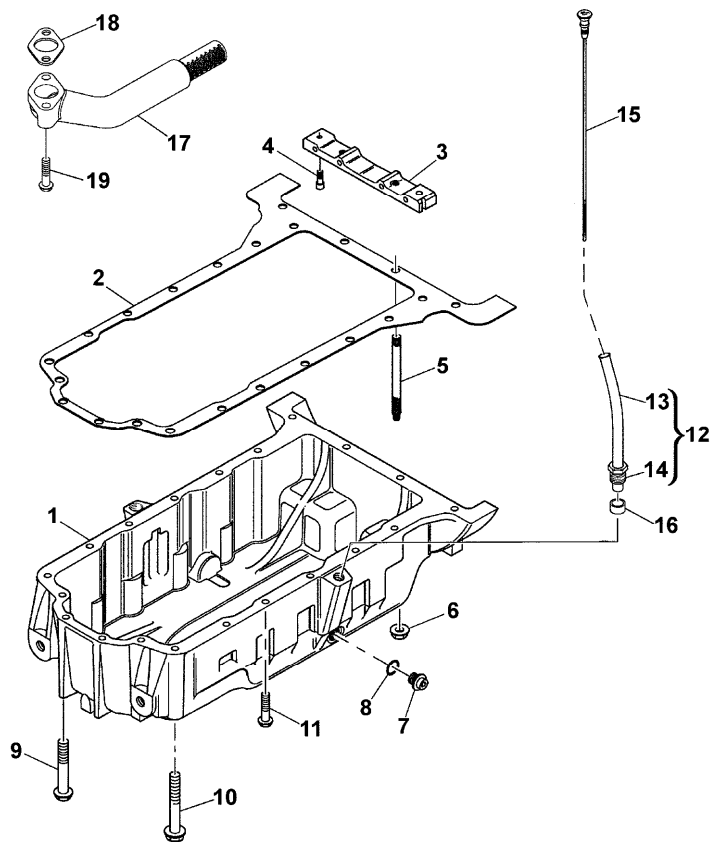
CP03\000032.905.png

A-05
12



A0512

Lubricating oil sump



- 1 3717E272
- 2 3681K036 (X) 1.2.5.
T-A 1:50
- 3 3627P041 T-A 1:50
- 4 2311D039
- 5 3211P013
- 6 2318A603
- 7 32186405 T-A 0:25
- 8 2415715 T-A 0:25
- 9 2314H023
- 10 2314H022 ● 2314H052(1)
- 11 2314H015
- 12 3577A125 T-A 0:25
- 13 ! 12
- 14 3353D005 ! 12
- 15 3178C081 T-A 0:25
- 16 33812116
- 17 3765A091 T-A 1:75
- 18 36832137 T-A 1:75
- 19 2314H006

Inglese

- 1 Crankcase
- 1 Gasket
- 1 Crosspiece
- 2 Screw
- 2 Stud
- 2 Nut
- 1 Plug
- 1 Ring
- 5 Screw
- 1 Screw
- 12 Screw
- 1 Pipe
- 1 Pipe
- 1 Nut
- 1 Rod
- 1 Olive
- 1 Pipe
- 1 Gasket
- 2 Screw

! This is a component of an assembly
 ▣ Not serviced, order
 ● Replacement
 (X) Qty per tractors sold (aa.bbb.ccc.ddd) (aa) for 1,(bbb) 2-10 (ccc) 11-25 (ddd) 26-50
 T-A Replacement



Suggest:

For more complete manuals. Please go to the home page.

<https://www.ebooklibonline.com>

If the above button click is invalid. Please download this document first, and then click the above link to download the complete manual.

Thank you so much for reading

Engine

T series Restyling (2011-) - CP03 - T 100 f-m-c

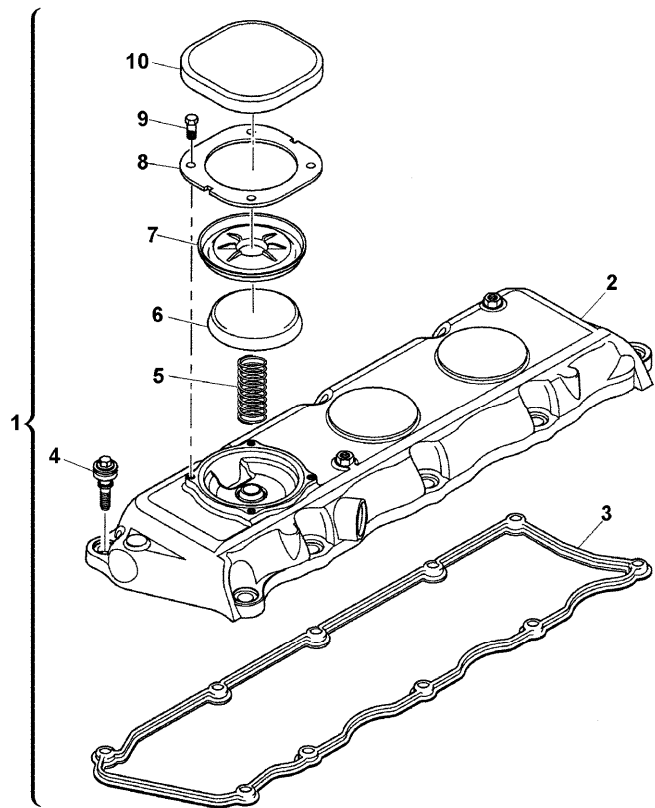
CP03\000020533.png

**A-05
13**



A0513

Cylinder head cover



		Inglese	
1	4142X325	● T417478(1)	1 Coperch.
2		! 1	1 Cover
3	3681A055	▣ Ref.n.1	1 Gasket
		(X) 1.2.5.	
		T-A 1:0	
4	2161A013	! 1	10 Screw
5	3174A017	! 1	1 Spring
		T-A 0:25	
6	3788A002	! 1	1 Cap
		T-A 0:25	
7	3789A001	! 1	1 Diaphragm
		T-A 0:25	
8	3615A009	! 1	1 Plate
		T-A 0:25	
9	2151A001	! 1	4 Screw
10	3788A003	! 1	1 Cap
		T-A 0:25	
	!	This is a component of an assembly	
	▣	Not serviced, order	
	●	Replacement	
	(X)	Qty per tractors sold (aa.bbb.ccc.ddd) (aa) for 1,(bbb) 2-10 (ccc) 11-25 (ddd) 26-50	
	T-A	Replacement	

Engine

T series Restyling (2011-) - CP03 - T 100 f-m-c

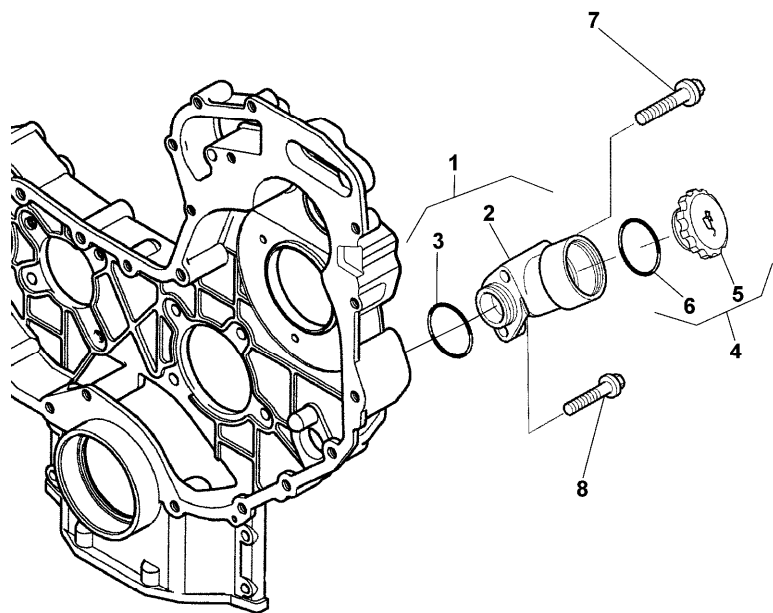
CP03\000032.907.png

**A-05
14**



A0514

Filler



				Inglese
1	4134C072	T-A 0:25		1 Filler
2		! 1		1 Body
		➡ Ref.n.1		
3	2415H540	! 1		1 Ring
		T-A 0:25		
4	4142X098	! 1		1 Plug
		(X) 1.3.5.1		
		T-A 0:25		
5		! 4		1 Plug
		➡ Ref.n.4		
6	2415633	! 4		1 O ring
		T-A 0:25		
7	2314K161			1 Screw
8	2314H005			1 Screw
		! This is a component of an assembly		
		➡ Not serviced, order		
		(X) Qty per tractors sold (aa.bbb.ccc.ddd) (aa) for 1,(bbb) 2-10 (ccc) 11-25 (ddd) 26-50		
		T-A Replacement		

<https://www.ebooklibonline.com>

Hello dear friend!

Thank you very much for reading.

Enter the link into your browser.

The full manual is available for immediate download.

<https://www.ebooklibonline.com>