

Engine

T series Restyling (2011-) - CP03 - T 80 f-m

CP03\000020625.png

A-05
01



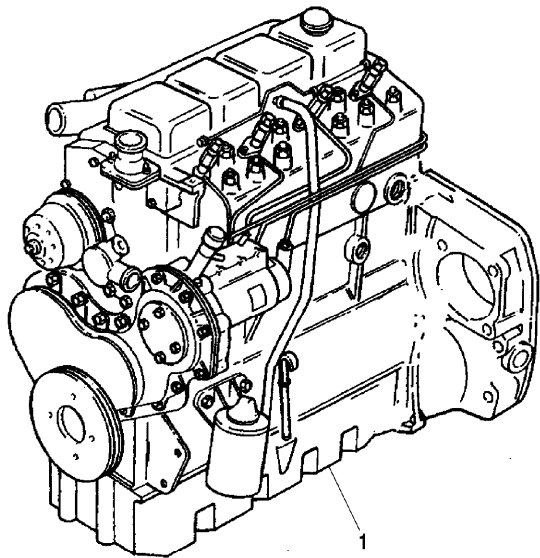
A0501

Engine assembly

Inglese

- 1 3693231M91 ● N.L.S.(1) Perkins nk38935 -
- Replacement

1 Engine



Engine

T series Restyling (2011-) - CP03 - T 80 f-m

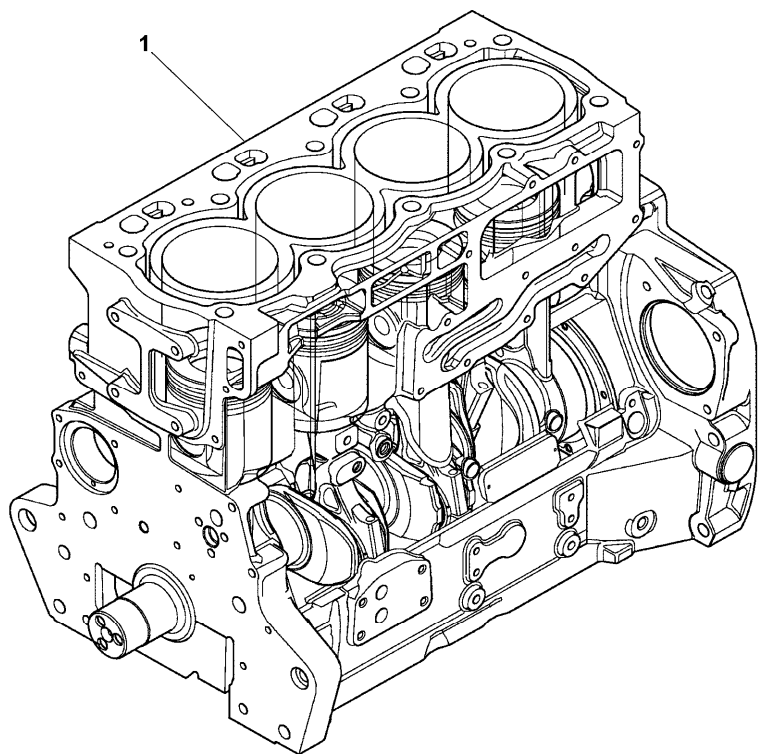
CP03\000015070.png

A-05
02



A0502

Short engine



Inglese

- | | | | | | |
|---|---------|--|----------------------------------|---|----------------|
| 1 | NK40010 | | U056074 t | 1 | Cylinder block |
| | | | 3115A141(1),
32186146(3), NK4 | | |
| 1 | NK40017 | | U056075 t | 1 | Cylinder block |

- From serial or engine number
- Up to serial or engine number
- Replacement

Engine

T series Restyling (2011-) - CP03 - T 80 f-m

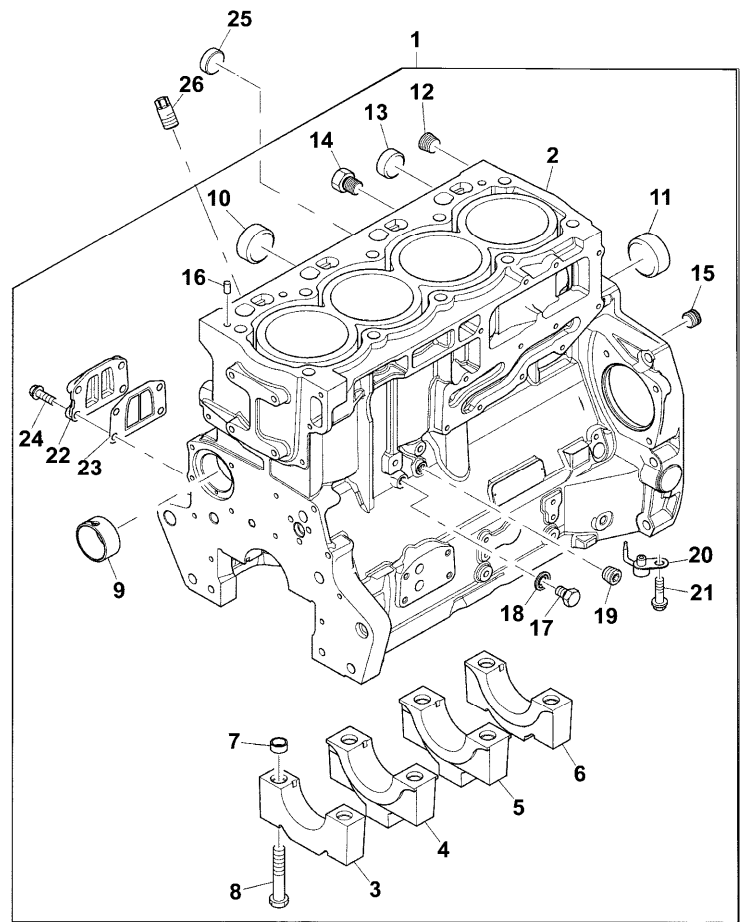
CP03\000015071.png

**A-05
03**



A0503

Cylinder block



		Inglese
1	ZZ50321	● ZZ50325(1) 1 Block
2		! 1 1 Cylinder block
3		➡ Ref.n.1 1 Bearing
4		! 1 2 Bearing
5		➡ Ref.n.1 1 Bearing
6		➡ Ref.n.1 1 Bearing
7	33142111	! 1 10 Manicott
8	32166329	! 1 10 Screw
9	3112D071	! 1 1 Bush
10	3241A011	● 3112D075(1) 2 Plug
11	3241A012	! 1 1 Plug
12	0650588	! 1 1 Plug
13	0650710	! 1 1 Plug
14	32141316	! 1 1 Plug
15	3212P008	! 1 1 Plug
16	3244A009	! 1 2 Dowel
17	2314C049	! 1 1 Screw
18	2415D053	! 1 1 Washer
19	0650594	! 1 1 Plug

<https://www.ebooklibonline.com>

Hello dear friend!

Thank you very much for reading.

Enter the link into your browser.

The full manual is available for immediate download.

<https://www.ebooklibonline.com>

Engine

T series Restyling (2011-) - CP03 - T 80 f-m

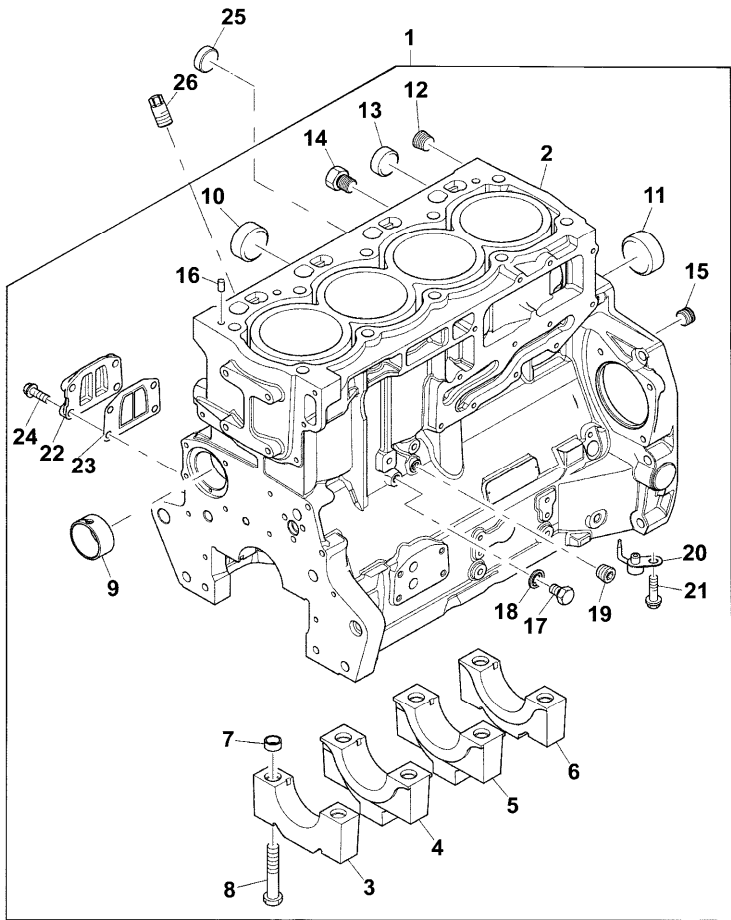
CP03\000015071.png

A-05
03



A0503

Cylinder block



- 20 2113A003 ! 1
- 21 2314F001 ! 1
- 22 3753A071 ! 1
- 23 3688A041 ! 1
- 24 2314H034 ! 1
- 25 2485A108
- 26 3212V006

Inglese

- 4 Atomiser
- 4 Screw
- 1 Coperch.
- 1 Ring
- 4 Screw
- 1 Plug
- 1 Plug

- ! This is a component of an assembly
- Not serviced, order
- Replacement

Engine

T series Restyling (2011-) - CP03 - T 80 f-m

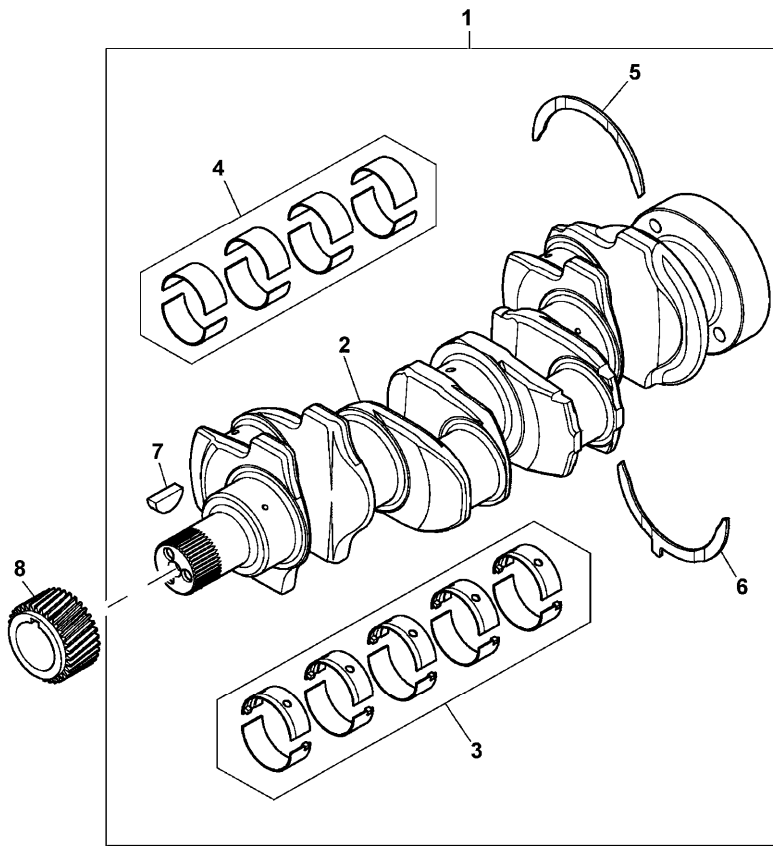
CP03\000015073.png

A-05
04



A0504

Camshaft



Inglese

1	ZZ90222	➔	U056074 t	1	Kit
		●	ZZ90239(1)		
1	ZZ90237	➔	U056075 t	1	Shaft
2		!	1	1	Shaft
		➔	Ref.n.1		
3	U5MB0018	!	1	1	Kit
		➔	U056074 t		
		●	U5MB0033(1)		
		T-A	15:0		
3	U5MB0018A	!	1	1	Kit
		⚡	(+) 0.010"		
		➔	U056074 t		
		●	U5MB0033A(1)		
		T-A	15:0		
3	U5MB0018B	!	1	1	Kit
		⚡	(+) 0.020"		
		➔	U056074 t		
		●	U5MB0033B(1)		
		T-A	15:0		
3	U5MB0018C	!	1	1	Kit
		⚡	(+) 0.030"		
		➔	U056074 t		
		●	N.L.A.(1)		
		T-A	15:0		
3	U5MB0033	!	1	1	Kit
		➔	U056075 t		

Engine

T series Restyling (2011-) - CP03 - T 80 f-m

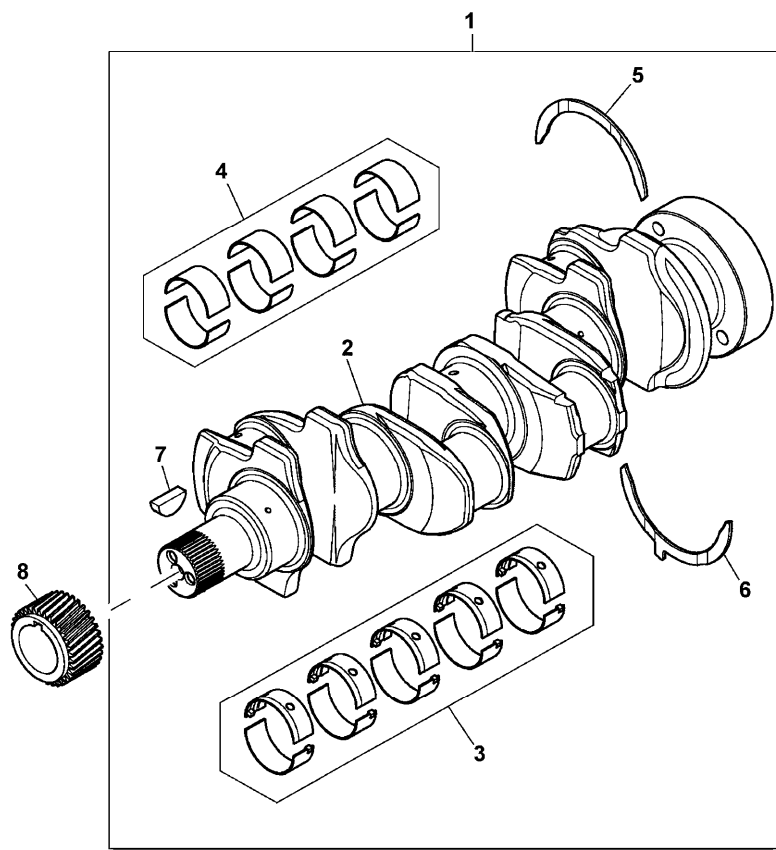
CP03\000015073.png

A-05
04



A0504

Camshaft



Inglese

3	U5MB0033A	!	1	1 Kit
		⚡	-0,25mm	
		➡	U056075 t	
3	U5MB0033B	!	1	1 Kit
		⚡	-0,50mm	
		➡	U056075 t	
3	U5MB0033C	!	1	1 Kit
		⚡	-0,75mm	
		➡	U056075 t	
		●	N.L.A.(1)	
4	T400002	!	1	1 Kit
		➡	U056075 t	
		●	T410927(1)	
4	U5ME0026	!	1	1 Kit
		➡	U056074 t	
		●	U5ME0034(1)	
4	U5ME0026A	!	1	1 Kit
		⚡	(+) 0.25mm	
		➡	U056074 t	
		●	U5ME0034A(1)	
4	U5ME0026B	!	1	1 Kit
		⚡	(+) 0.50mm	
		➡	U056074 t	
		●	U5ME0034B(1)	

Engine

T series Restyling (2011-) - CP03 - T 80 f-m

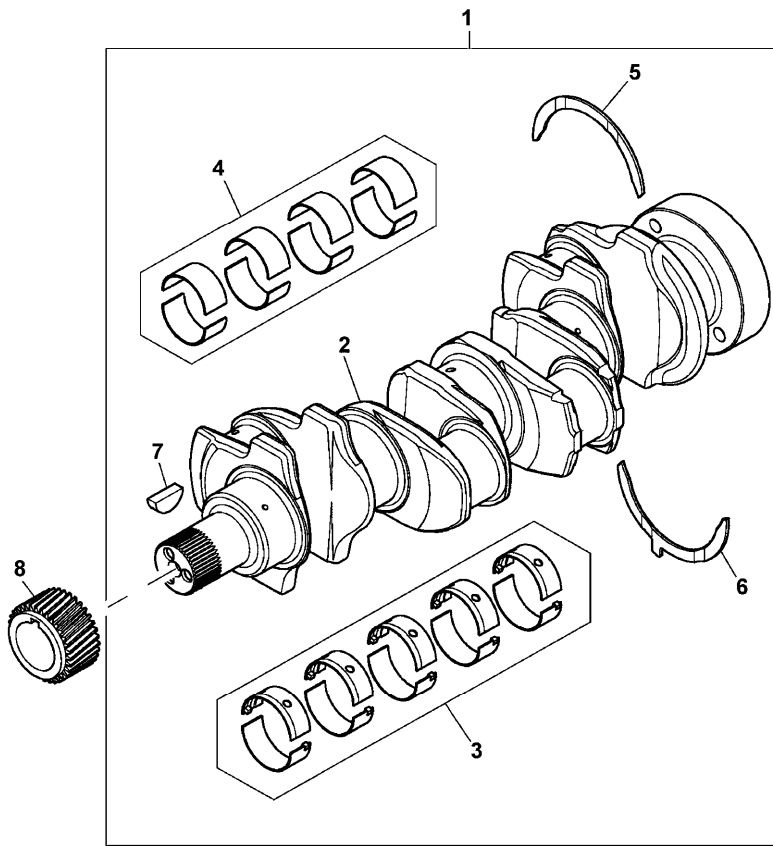
CP03\000015073.png

**A-05
04**



A0504

Camshaft



		Inglese	
4	U5ME0026C	! 1	1 Kit
		⚡ (+) 0.75mm	
		➡ U056074 t	
		● U5ME0034C(1)	
5	31137312	! 1	2 Ring
		⚡ (+) 0.007"	
		T-A 15:0	
5	31137551	! 1	2 Washer
		T-A 15:0	
6	31137322	! 1	2 Ring
		⚡ (+) 0.007"	
		T-A 15:0	
6	31137561	! 1	2 Washer
		T-A 15:0	
7	0500012	! 1	1 Key
		T-A 10:0	
8	3117C221	T-A 10:0	1 Gear
		! This is a component of an assembly	
		➡ From serial or engine number	
		➡ Up to serial or engine number	
		🚫 Not serviced, order	
		⚡ Shim	
		● Replacement	
		T-A Replacement	

Engine

T series Restyling (2011-) - CP03 - T 80 f-m

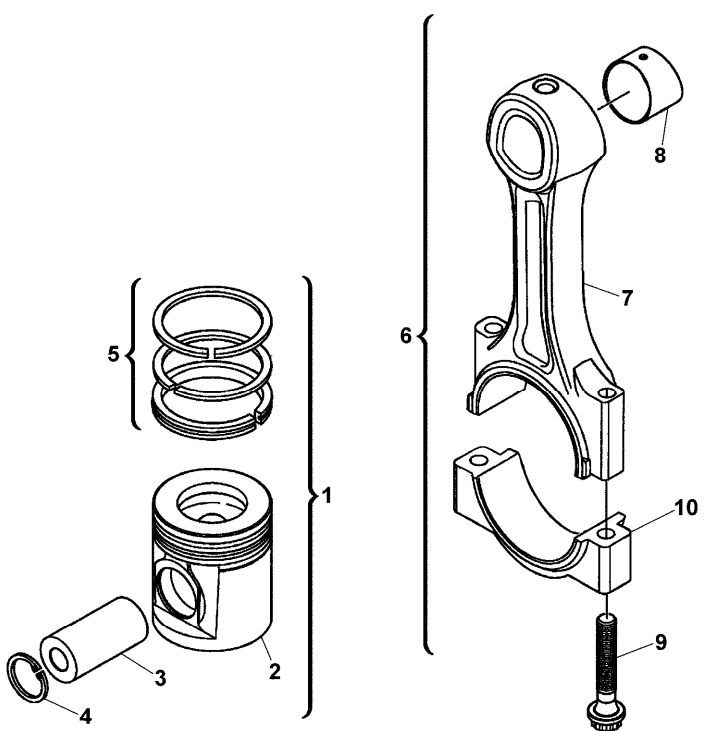
A-05
05



A0505

Pistons and connecting rods

CP03\000032.901.png



		Inglese
1	U5PR0063	4 Kit
2	! 1	1 Piston
	➡ Ref.n.1	
3	! 1	1 Pin
	➡ Ref.n.1	
4	2721332 ! 1	2 Ring
5	UPRK0003 ! 1	1 Kit
	(X) 0.2.5.	
	T-A 11:25	
6	4115C311 ➡ U056074 t	4 Kit
	A	
	T-A 14:0	
6	4115C312 ➡ U056074 t	4 Kit
	B	
	T-A 14:0	
6	4115C313 ➡ U056074 t	4 Kit
	C	
	T-A 14:0	
6	4115C314 ➡ U056074 t	4 Kit
	D	
	T-A 14:0	
6	4115C315 ➡ U056074 t	4 Kit
	E	
	T-A 14:0	

Engine

T series Restyling (2011-) - CP03 - T 80 f-m

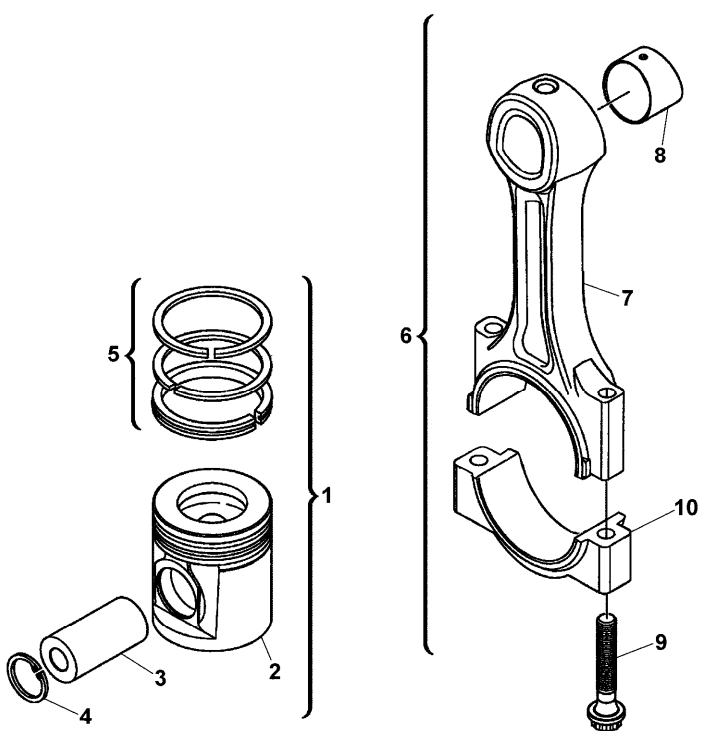
CP03\000032.901.png

A-05
05



A0505

Pistons and connecting rods



		Inglese	
6	4115C316	➡ U056074 t F T-A 14:0	4 Kit
6	4115C361	➡ U056075 t A	4 Conrod
6	4115C362	➡ U056075 t B	4 Conrod
6	4115C363	➡ U056075 t C	4 Conrod
6	4115C364	➡ U056075 t D	4 Conrod
6	4115C365	➡ U056075 t E	4 Conrod
6	4115C366	➡ U056075 t F	4 Conrod
7	!	6 ➡ Ref.n.6	1 Conrod
8	3112A005	! 6 T-A 14:0	1 Bush
9	3212V003	! 6 ➡ U056074 t	2 Screw
9	T400001	➡ U056075 t	2 Screw
10	!	6 ➡ Ref.n.6	1 Guard

! This is a component of an assembly
➡ From serial or engine number

Engine

T series Restyling (2011-) - CP03 - T 80 f-m

A-05
05

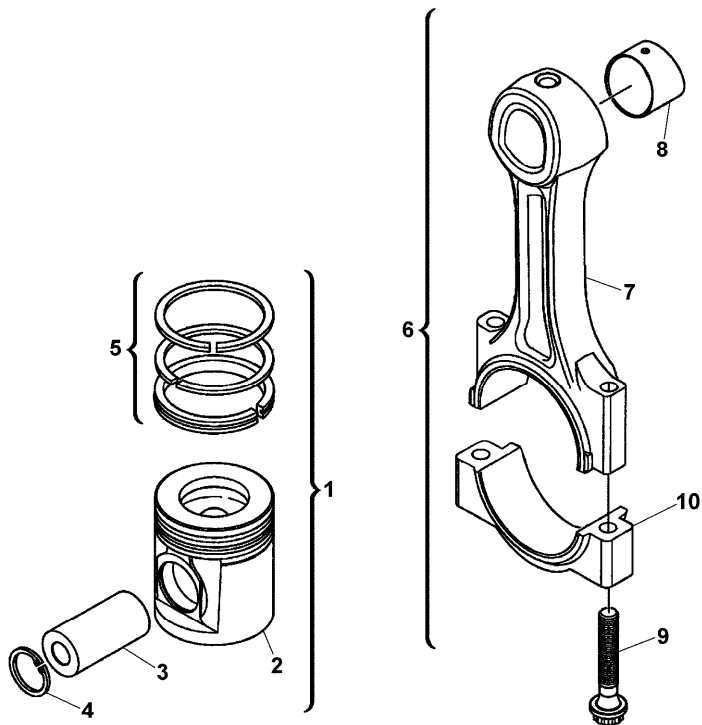


A0505

Pistons and connecting rods

CP03\000032.901.png

- ➔ Up to serial or engine number
- ➡ Not serviced, order
- (X) Qty per tractors sold (aa.bbb.ccc.ddd) (aa) for 1,(bbb) 2-10 (ccc) 11-25 (ddd) 26-50
- T-A Replacement
- A Red
- B Orange
- C White
- D Green
- E Purple
- F Blue



Engine

T series Restyling (2011-) - CP03 - T 80 f-m

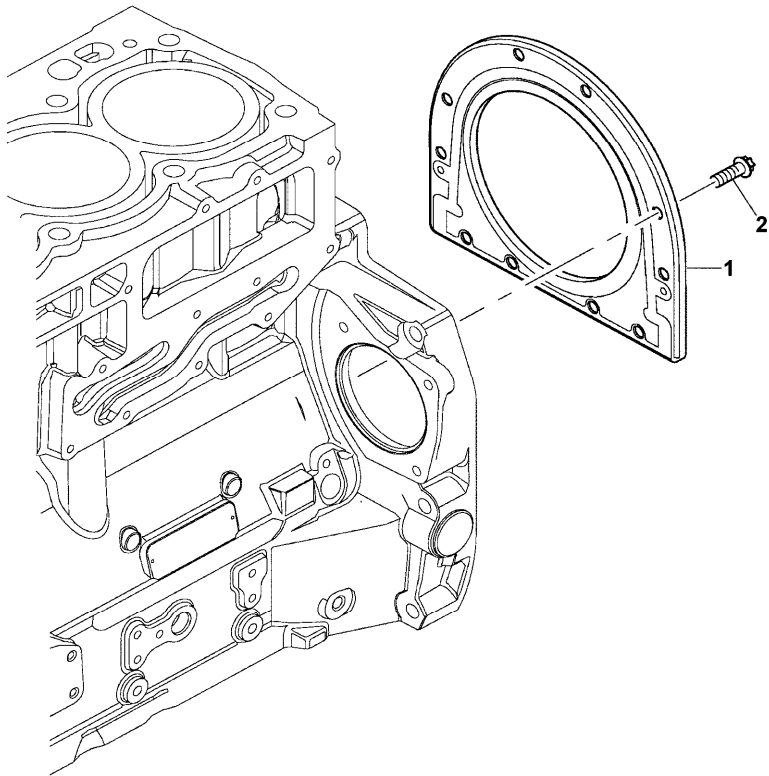
CP03\000015074.png

A-05
06



A0506

End cover



1 2418F704 T-A 9:0

2 3211C002

T-A Replacement

Inglese

1 Housing

6 Screw

Engine

T series Restyling (2011-) - CP03 - T 80 f-m

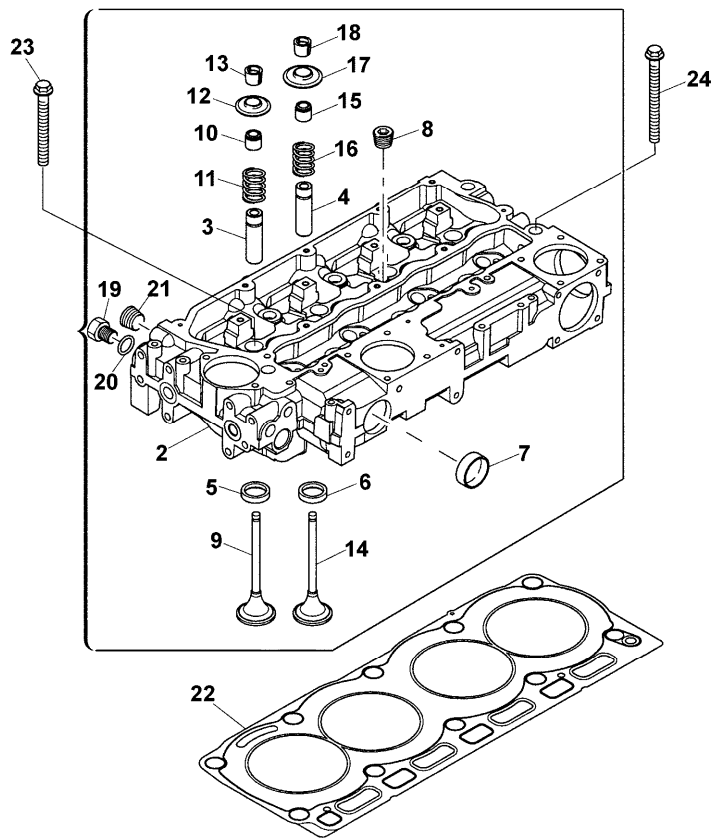
CP03\000020527.png

A-05
07



A0507

Cylinder head



			Inglese
1	ZZ80281		1 Cylinder head
2		! 1	1 Head
3	3313A012	! 1 ➡ Ref.n.1	4 Insert
4	3313A012	T-A 7:50 ! 1 T-A 7:50	4 Insert
5	3314A221	! 1	4 Insert
6	3314A231	! 1	4 Insert
7	32416117	! 1	2 Plug
8	0650588	! 1	4 Plug
9	3142H101	! 1	4 Valve
10	2418M519	! 1	4 Ring
11	3174A031	A ! 1	4 Spring
12	3342A021	● T417479(4) ! 1	4 Coperch.
13	2714A002	! 1	8 Collar
14	3142A171	! 1	4 Valve
15	2418M517	! 1	4 Ring
16	3174A031	B ! 1	4 Spring
17	3342A021	● T417479(4) ! 1	4 Coperch.
18	2714A002	! 1	8 Collar

Engine

T series Restyling (2011-) - CP03 - T 80 f-m

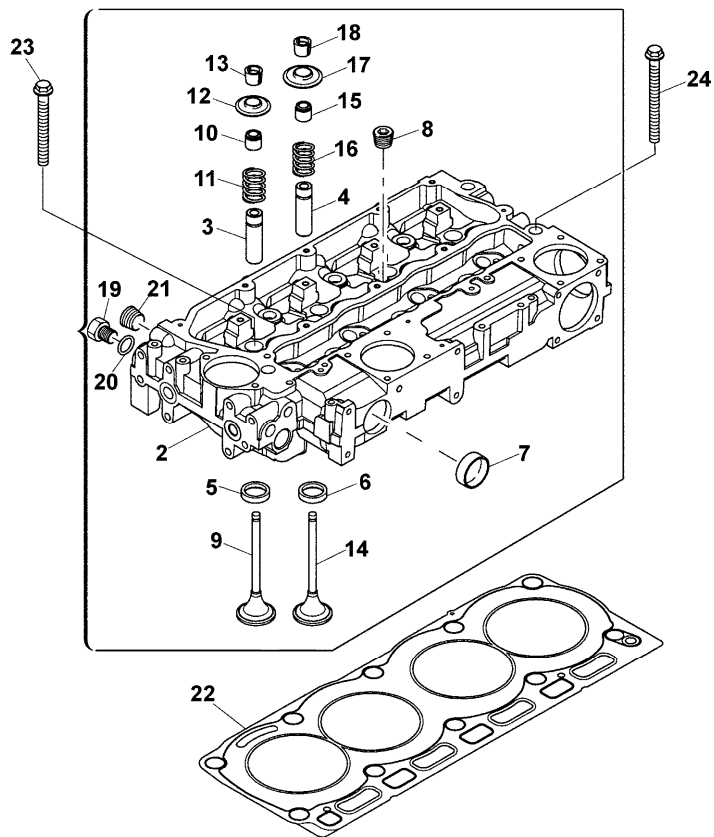
A-05
07



A0507

Cylinder head

CP03\000020527.png



- 19 3278A006 ! 1
- 20 2415H003 ! 1
- 21 2431154 ! 1
- 22 3681E051
- 23 3218A011
- 24 3218A012

Inglese

- 1 Plug
- 1 Ring
- 2 Plug
- 1 Gasket
- 7 Screw
- 3 Screw

- ! This is a component of an assembly
- 🔧 Not serviced, order
- Replacement
- T-A Replacement
- A Green
- B Brown

Engine

T series Restyling (2011-) - CP03 - T 80 f-m

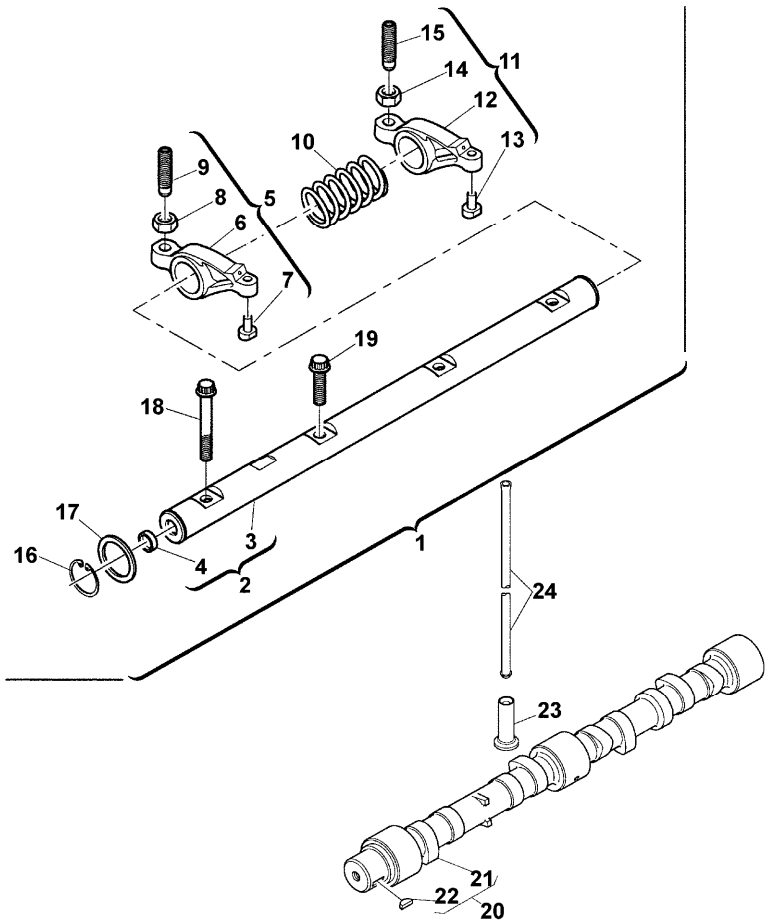
CP03\000032.902.png

A-05
08



A0508

Rocker shaft



		Inglese	
1	4115R613		1 Axle
2	4115R703	! 1	1 Shaft
		T-A 4:0	
3		! 2	1 Shaft
		➡ Ref.n.2	
4	2485A104	! 2	2 Plug
5	4115R319	! 1	4 Lever
6		! 5	1 Rocker
		➡ Ref.n.5	
7		! 5	1 Pad
		➡ Ref.n.5	
8	3331A006	! 5	1 Nut
9	3211C004	! 5	1 Screw
10	3174A015	! 1	3 Spring
		T-A 4:0	
11	4115R318	! 1	4 Lever
12		! 11	1 Rocker
		➡ Ref.n.11	
13		! 11	1 Pad
		➡ Ref.n.11	
14	3331A006	! 11	1 Nut
15	3211C004	! 11	1 Screw
16	2722A022	! 1	2 Ring
17	2134A502	! 1	2 Washer
18	2316A901	! 1	1 Screw

Engine

T series Restyling (2011-) - CP03 - T 80 f-m

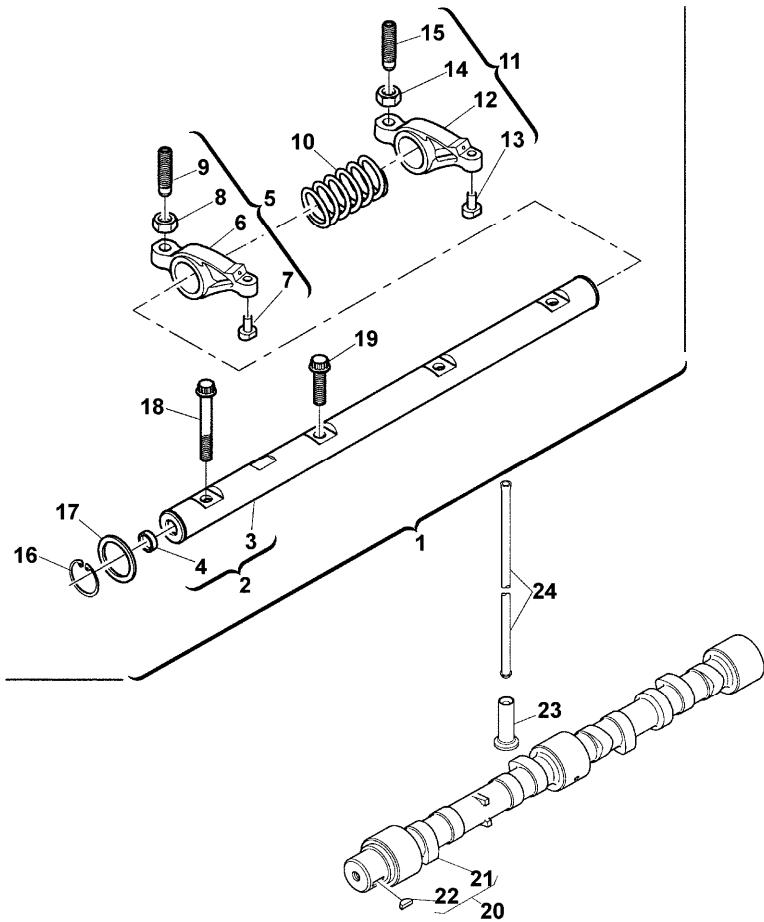
CP03\000032.902.png

A-05
08



A0508

Rocker shaft



Inglese

19	2316A902	!	1	3	Screw
20	4112K074			1	Shaft
21		!	20	1	Shaft
		➡	Ref.n.20		
22	0500012	!	20	1	Key
23	3142U061			8	Tappet
24	3142V011			8	Rod

! This is a component of an assembly
➡ Not serviced, order
T-A Replacement

Engine

T series Restyling (2011-) - CP03 - T 80 f-m

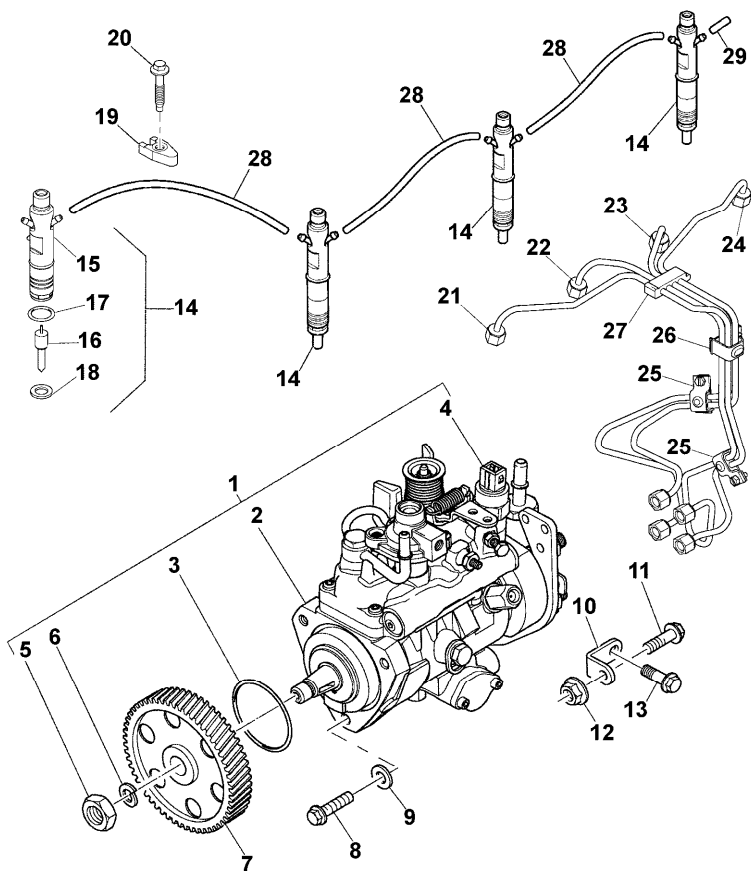
A-05
09



A0509

Fuel injection equipment (diesel)

CP03\000032.917.png



1 2644C319/22

2 ! 1

➡ Ref.n.1

3 26420318 ! 1

4 26420469 ! 1

5 2318A108 ! 1

6 K134AF01 ! 1

7 3117L261

8 2314H004

9 2411D008

10 3641A007

11 2314H003

12 2318A603

13 2314J002

14 2645K027

15 ! 14

➡ Ref.n.14

16 ! 14

➡ Ref.n.14

17 26460064 ! 14

18 L311FF02 ! 14

19 3751A241

20 2314W009

21 3525A101

22 3525A102

Inglese

1 Pump

1 Pump

1 Ring

1 Solenoid

1 Nut

1 Washer

1 Gear

3 Screw

6 Washer

1 Stirrup

1 Screw

1 Nut

1 Screw

4 Nozzle

1 Support

1 Nozzle

1 Ring

1 Washer

4 Clamp

4 Screw

1 Pipe

1 Pipe

Engine

T series Restyling (2011-) - CP03 - T 80 f-m

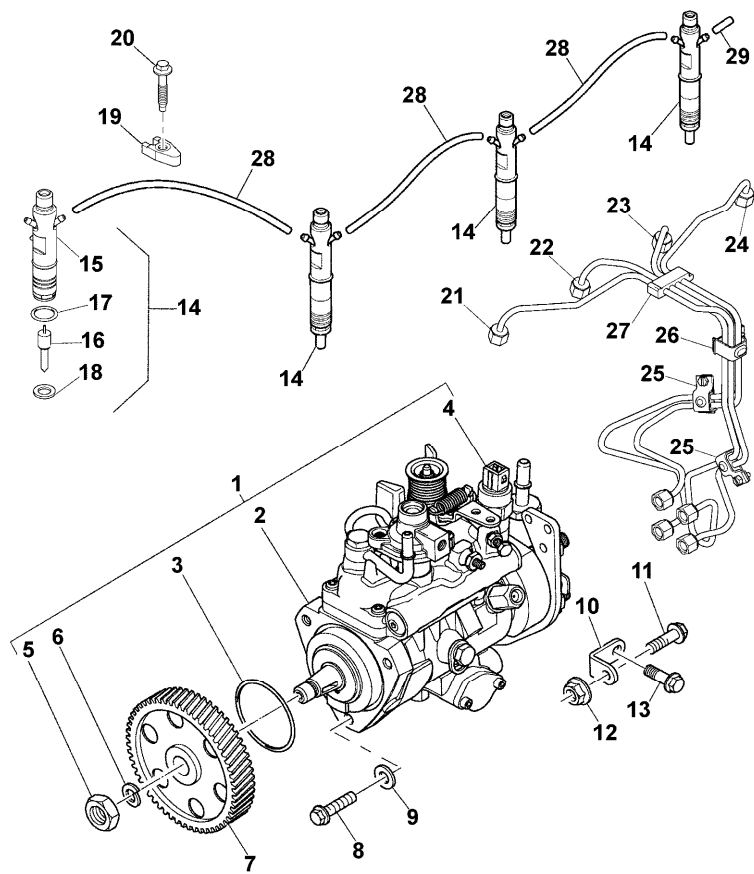
A-05
09



A0509

Fuel injection equipment (diesel)

CP03\000032.917.png



Inglese

- 23 3525A103 1 Pipe
- 24 3525A104 1 Pipe
- 25 2481Y011 2 Clip
- 26 2481Y012 1 Clip
- 27 2646E019 1 Clip
- 28 2646F501 3 Pipe
- 29 2646E501 1 Cap

! This is a component of an assembly
✘ Not serviced, order

Engine

T series Restyling (2011-) - CP03 - T 80 f-m

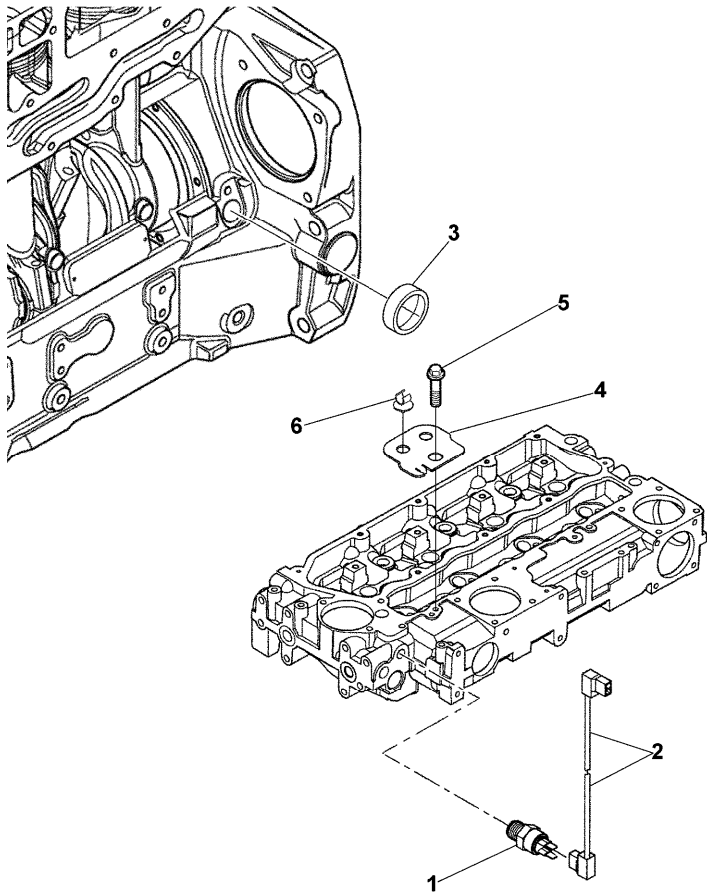
CP03\000032.904.png

A-05
10



A0510

Sensor pickup,start and stop control



- 1 2848A123 A
- 2 3161C017
- 3 2485A109
- 4 3653A017
- 5 2314H002
- 6 2481D456

T-A Replacement
A Engine water temperature

Inglese

- 1 Sensor
- 1 Cable
- 1 Plug
- 1 Stirrup
- 1 Screw
- 1 Clip

Engine

T series Restyling (2011-) - CP03 - T 80 f-m

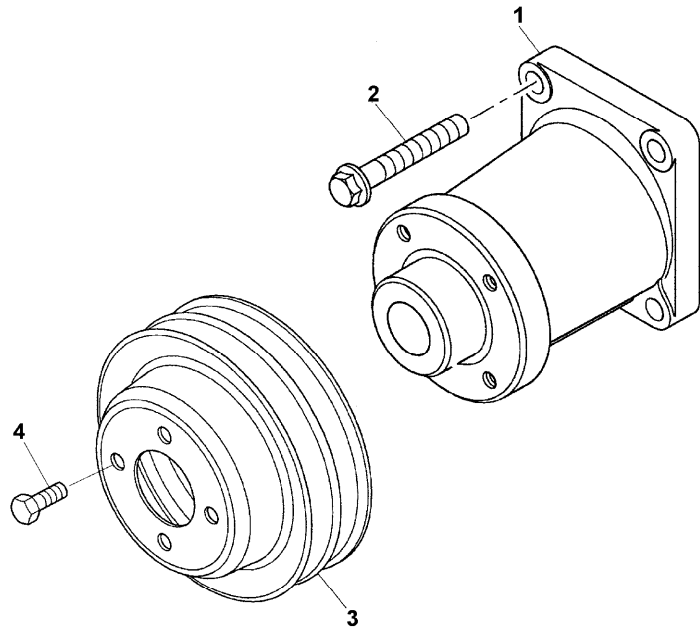
CP03\000015079.png

A-05
11



A0511

Fan-type pulley



- 1 4113K005 T-A 1:75
 - 2 2314J005
 - 3 3115C161
 - 4 2314C044
- T-A Replacement

Inglese

- 1 Housing
- 4 Screw
- 1 Pulley
- 4 Screw

Engine

T series Restyling (2011-) - CP03 - T 80 f-m

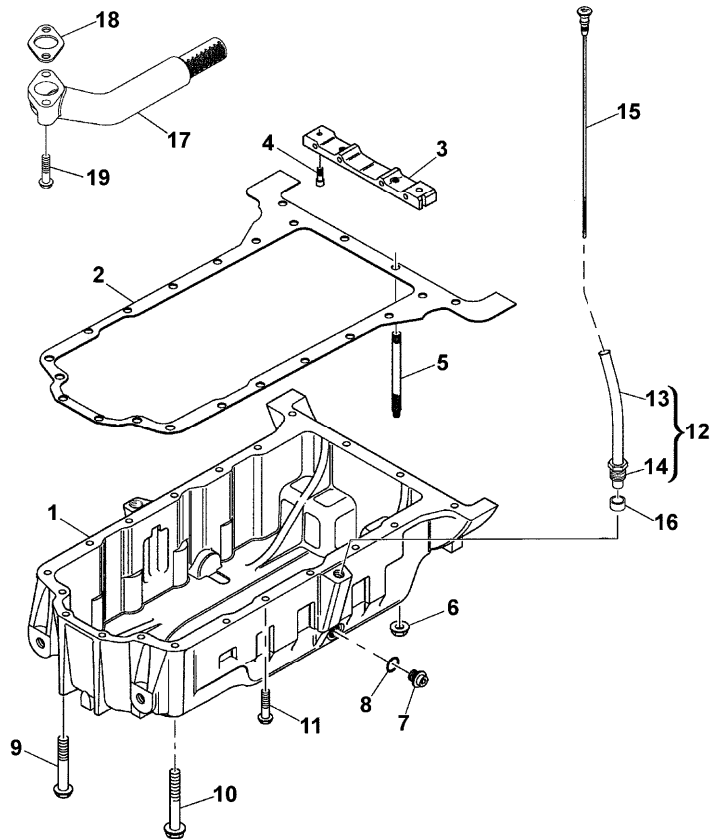
CP03\000032.905.png

A-05
12



A0512

Lubricating oil sump



- | | | | |
|----|----------|---------------|--|
| 1 | 3717E272 | | |
| 2 | 3681K036 | (X) 1.2.5. | |
| | | T-A 1:50 | |
| 3 | 3627P041 | T-A 1:50 | |
| 4 | 2311D039 | | |
| 5 | 3211P013 | | |
| 6 | 2318A603 | | |
| 7 | 32186405 | T-A 0:25 | |
| 8 | 2415715 | T-A 0:25 | |
| 9 | 2314H023 | | |
| 10 | 2314H022 | ● 2314H052(1) | |
| 11 | 2314H015 | | |
| 12 | 3577A125 | T-A 0:25 | |
| 13 | | ! 12 | |
| | | ▶ Ref.n.12 | |
| 14 | 3353D005 | ! 12 | |
| 15 | 3178C081 | T-A 0:25 | |
| 16 | 33812116 | | |
| 17 | 3765A091 | T-A 1:75 | |
| 18 | 36832137 | T-A 1:75 | |
| 19 | 2314H006 | | |

Inglese

- | | |
|----|------------|
| 1 | Crankcase |
| 1 | Gasket |
| 1 | Crosspiece |
| 2 | Screw |
| 2 | Stud |
| 2 | Nut |
| 1 | Plug |
| 1 | Ring |
| 5 | Screw |
| 1 | Screw |
| 12 | Screw |
| 1 | Pipe |
| 1 | Pipe |
| 1 | Nut |
| 1 | Rod |
| 1 | Olive |
| 1 | Pipe |
| 1 | Gasket |
| 2 | Screw |

! This is a component of an assembly

▶ Not serviced, order

● Replacement

(X) Qty per tractors sold (aa.bbb.ccc.ddd) (aa) for 1,(bbb) 2-10 (ccc) 11-25 (ddd) 26-50

T-A Replacement

Engine

T series Restyling (2011-) - CP03 - T 80 f-m

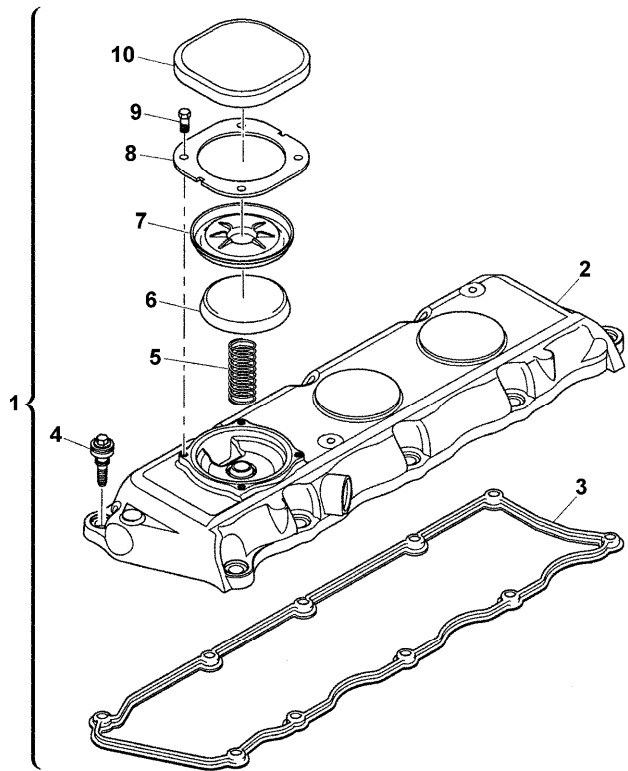
CP03\000032.906.png

**A-05
13**



A0513

Cylinder head cover



		Inglese	
1	4142X322	● T417513(1)	1 Coperch.
2		! 1	1 Cover
3	3681A055	▣ Ref.n.1	1 Gasket
		(X) 1.2.5.	
		T-A 1:0	
4	2161A013	! 1	10 Screw
5	3174A017	! 1	1 Spring
		T-A 0:25	
6	3788A002	! 1	1 Cap
		T-A 0:25	
7	3789A001	! 1	1 Diaphragm
		T-A 0:25	
8	3615A009	! 1	1 Plate
		T-A 0:25	
9	2151A001	! 1	4 Screw
10	3788A003	! 1	1 Cap
		T-A 0:25	
	!	This is a component of an assembly	
	▣	Not serviced, order	
	●	Replacement	
	(X)	Qty per tractors sold (aa.bbb.ccc.ddd) (aa) for 1,(bbb) 2-10 (ccc) 11-25 (ddd) 26-50	
	T-A	Replacement	

Engine

T series Restyling (2011-) - CP03 - T 80 f-m

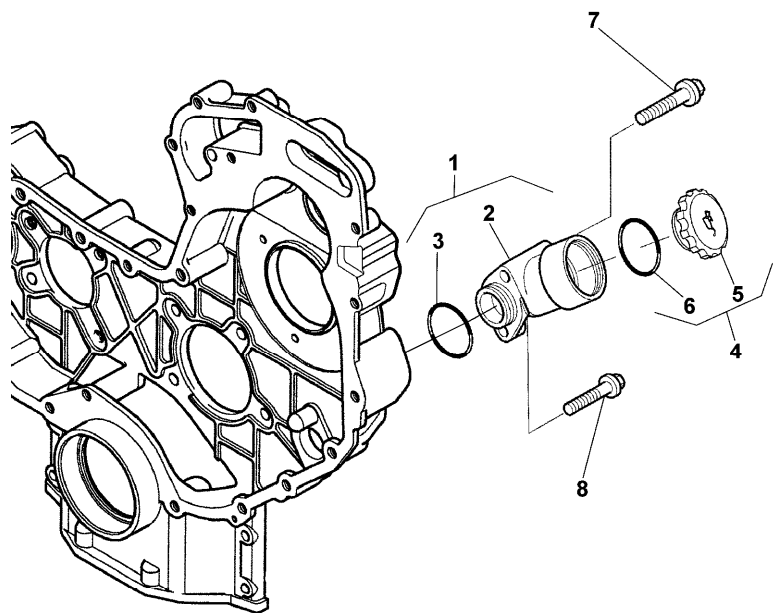
CP03\000032.907.png

**A-05
14**



A0514

Filler



				Inglese
1	4134C072	T-A 0:25		1 Filler
2		! 1		1 Body
		➡ Ref.n.1		
3	2415H540	! 1		1 Ring
		T-A 0:25		
4	4142X098	! 1		1 Plug
		(X) 1.3.5.1		
		T-A 0:25		
5		! 4		1 Plug
		➡ Ref.n.4		
6	2415633	! 4		1 O ring
		T-A 0:25		
7	2314K161			1 Screw
8	2314H005			1 Screw
		! This is a component of an assembly		
		➡ Not serviced, order		
		(X) Qty per tractors sold (aa.bbb.ccc.ddd) (aa) for 1,(bbb) 2-10 (ccc) 11-25 (ddd) 26-50		
		T-A Replacement		

Engine

T series Restyling (2011-) - CP03 - T 80 f-m

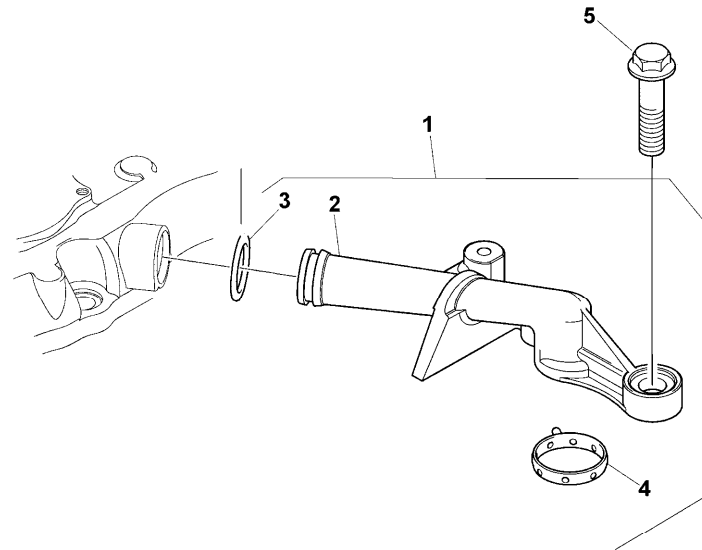
CP03\000015080.png

A-05
15



A0515

Breather



1 4134K021

2 ! 1

➡ Ref.n.1

3 2415A068 ! 1

4 2415H701 ! 1

5 2314F005

Inglese

1 Pipe

1 Pipe

1 Ring

1 Ring

2 Screw

! This is a component of an assembly

➡ Not serviced, order

Engine

T series Restyling (2011-) - CP03 - T 80 f-m

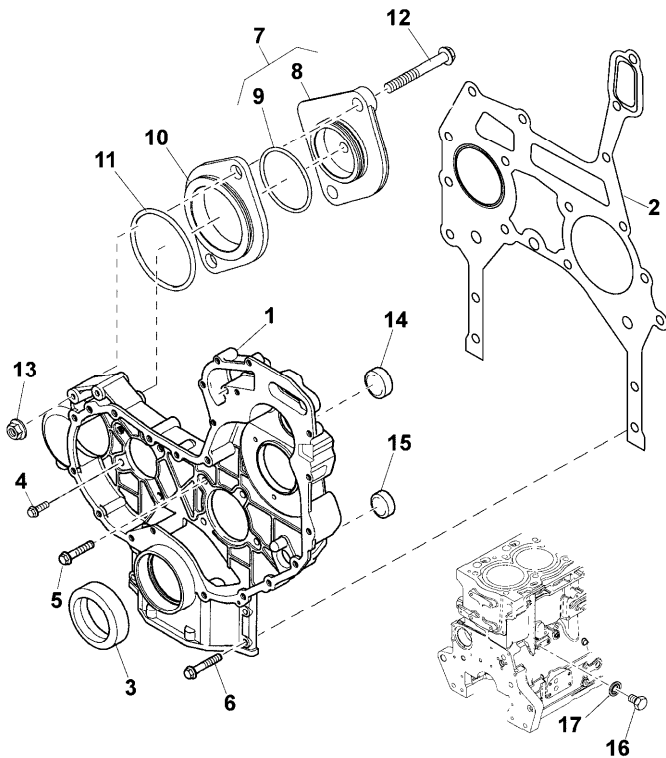
CP03\000032.908.png

A-05
16



A0516

Gasket sets



		Inglese
1	3716C581	1 Housing
2	3681P053	1 Gasket
3	2418F437	1 Seal
4	2314H003	6 Screw
5	2314H006	2 Screw
6	2314H034	4 Screw
7	4148K012	1 Plate
8	!	7
	➡	Ref.n.7
9	2415H515	! 7
10	3617a044	1 Ring
11	2415H516	1 Disc
12	2314J014	1 O ring
13	2318A604	2 Screw
14	2485A124	2 Nut
15	2485A118	1 Plug
16	2314C049	1 Plug
17	2415D053	1 Screw
!	This is a component of an assembly	
➡	Not serviced, order	
T-A	Replacement	



Suggest:

For more complete manuals. Please go to the home page.

<https://www.ebooklibonline.com>

If the above button click is invalid. Please download this document first, and then click the above link to download the complete manual.

Thank you so much for reading

Engine

T series Restyling (2011-) - CP03 - T 80 f-m

CP03\000032.909.png

A-05
17



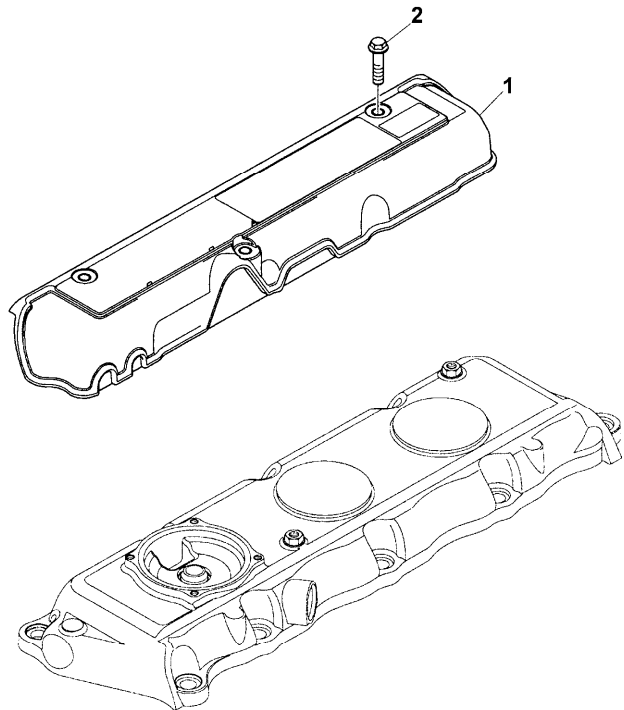
A0517

Cylinder head cover

Inglese

- 1 3788N003
- 2 2314F003

- 1 Cover
- 3 Screw



Engine

T series Restyling (2011-) - CP03 - T 80 f-m

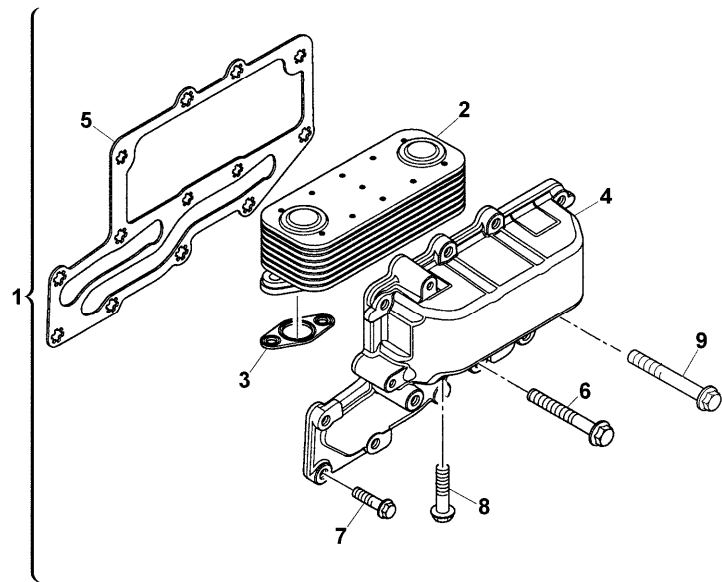
CP03\000015031.png

A-05
18



A0518

Oil radiator



1	4134W027				
2	2486A215	!	1	T-A	1:0
3	3685A025	!	1	T-A	1:0
4		!	1	➡	Ref.n.1
5	3685A033	!	1		
6	2314K161	!	1		
7	2314H004	!	1		
8	2314H006	!	1		
9	2314H004	!	1		
	!	This is a component of an assembly			
	➡	Not serviced, order			
	T-A	Replacement			

Inglese

- 1 Radiator
- 1 Radiator
- 1 Ring
- 1 Cooler
- 1 Gasket
- 3 Screw
- 2 Screw
- 4 Screw
- 8 Screw

<https://www.ebooklibonline.com>

Hello dear friend!

Thank you very much for reading.

Enter the link into your browser.

The full manual is available for immediate download.

<https://www.ebooklibonline.com>