

Engine

T series Restyling (2011-) - CP03 - T 105 f-m-c

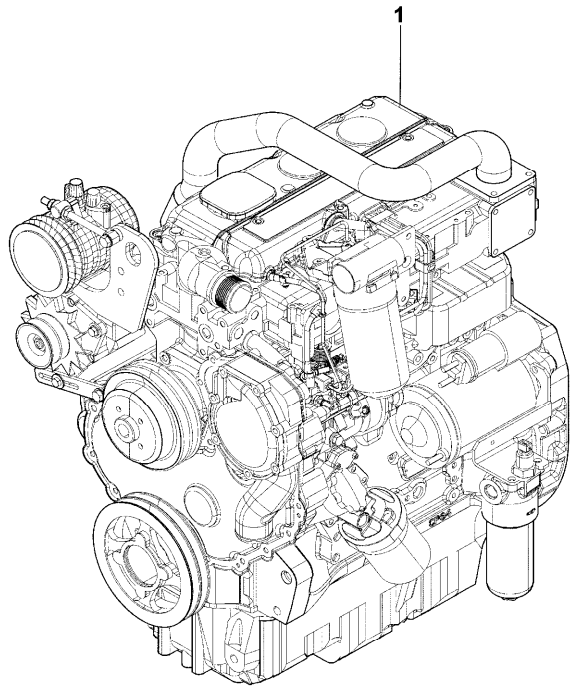
CP03\00005170.png

A-05
01



A0501

Engine assembly



			Inglese
1	3692620M91	Perkins n138933 -	1 Engine
1	6510954M91	Perkins n151279 -	1 Engine
		A	
1	6512077M91	Perkins n182005 -	1 Engine
		B	
		C	
A	Tier 3b		
B	Flexibility engine		
C	Cee		

Engine

T series Restyling (2011-) - CP03 - T 105 f-m-c

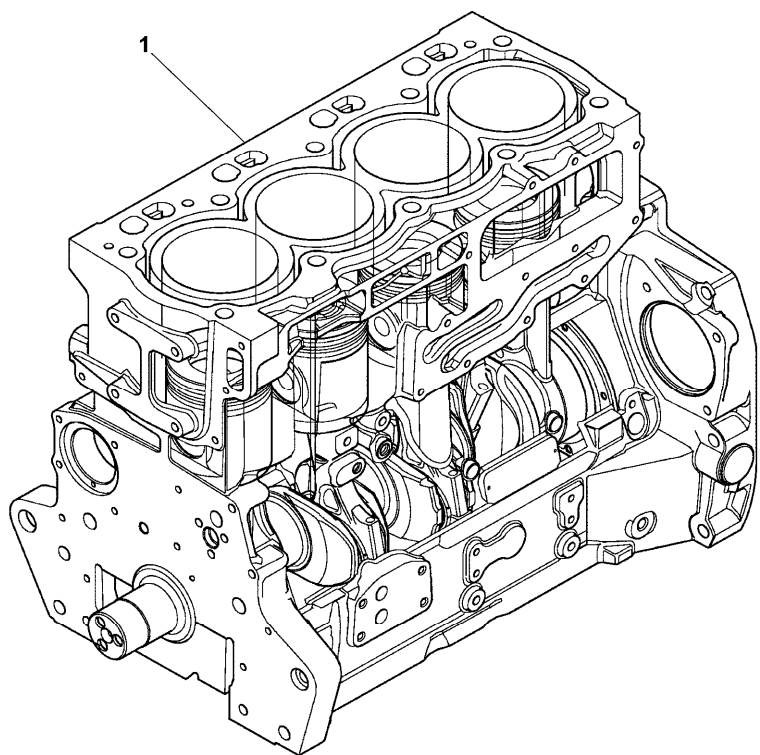
CP03\000015070.png

A-05
02



A0502

Short engine



Inglese

- | | | | | | |
|---|---------|--|----------------------------------|---|--------------|
| 1 | NM40008 | | U056074 t | 1 | Short engine |
| | | | 3115A141(1),
32186146(3), NM4 | | |
| 1 | NM40019 | | U056075 t | 1 | Short engine |

- From serial or engine number
- Up to serial or engine number
- Replacement

Engine

T series Restyling (2011-) - CP03 - T 105 f-m-c

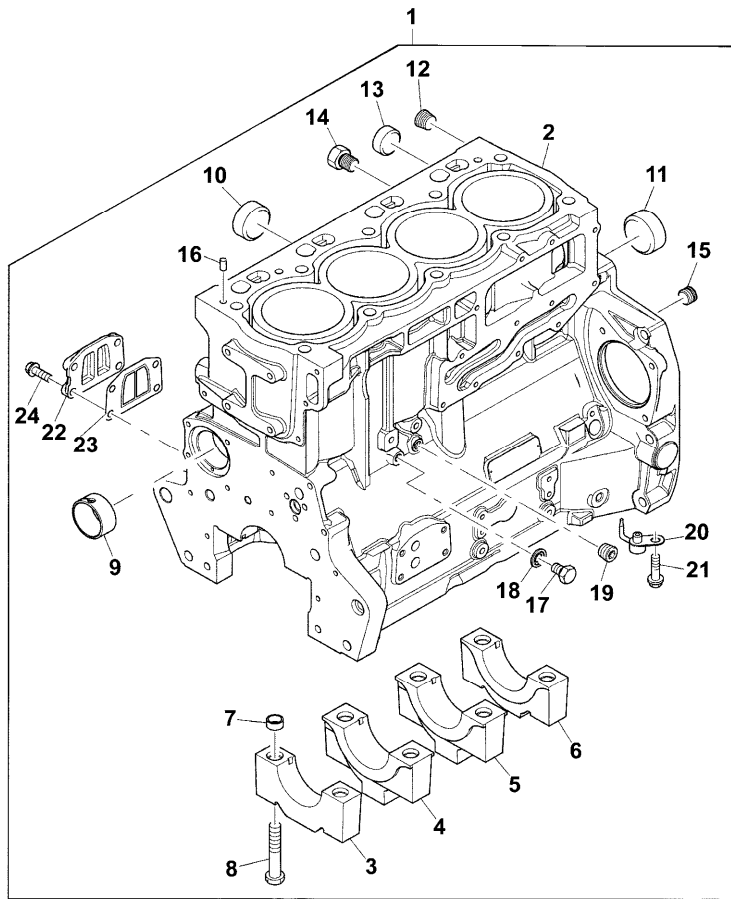
CP03\000015072.png

**A-05
03**



A0503

Cylinder block



		Inglese
1	ZZ50321	● ZZ50325(1) 1 Block
2		! 1 1 Cylinder block
3		➡ Ref.n.1 1 Bearing
4		! 1 2 Bearing
5		➡ Ref.n.1 1 Bearing
6		➡ Ref.n.1 1 Bearing
7	33142111	! 1 10 Manicott
8	32166329	! 1 10 Screw
9	3112D071	! 1 1 Bush
10	3241A011	● 3112D075(1) 2 Plug
11	3241A012	! 1 1 Plug
12	0650588	! 1 1 Plug
13	0650710	! 1 1 Plug
14	32141316	! 1 1 Plug
15	3212P008	! 1 1 Plug
16	3244A009	! 1 2 Dowel
17	2314C049	! 1 1 Screw
18	2415D053	! 1 1 Washer
19	0650594	! 1 1 Plug

<https://www.ebooklibonline.com>

Hello dear friend!

Thank you very much for reading.

Enter the link into your browser.

The full manual is available for immediate download.

<https://www.ebooklibonline.com>

Engine

T series Restyling (2011-) - CP03 - T 105 f-m-c

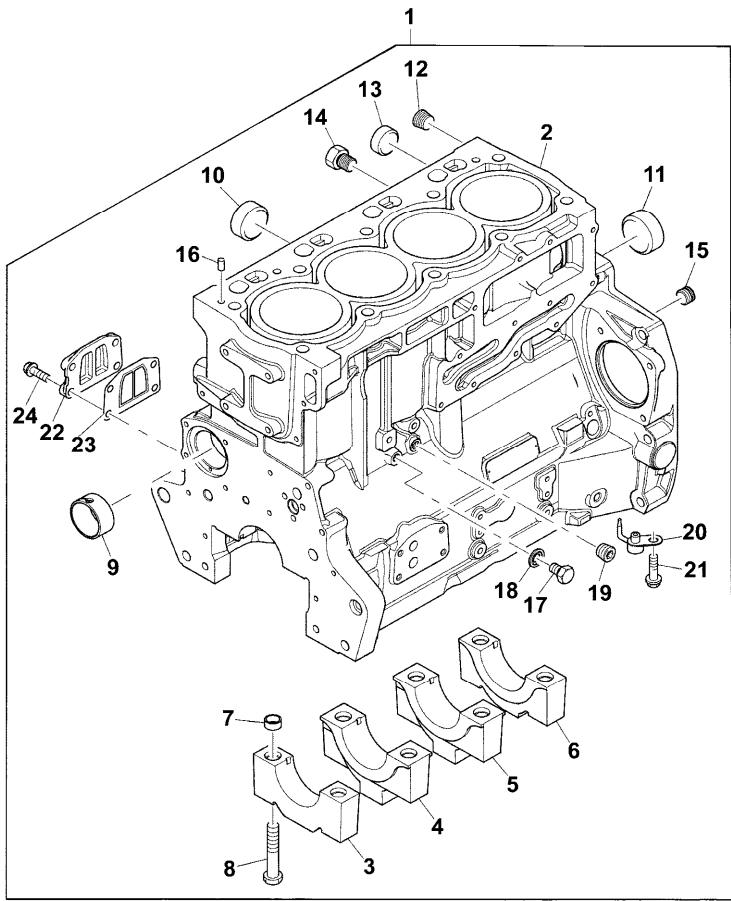
CP03\000015072.png

A-05
03





A0503

Cylinder block



- 20 2113A003 ! 1
- 21 2314F001 ! 1
- 22 3753A071 ! 1
- 23 3688A041 ! 1
- 24 2314H034 ! 1

! This is a component of an assembly
 Not serviced, order
 Replacement

Inglese

- 4 Atomiser
- 4 Screw
- 1 Coperch.
- 1 Ring
- 4 Screw

Engine

T series Restyling (2011-) - CP03 - T 105 f-m-c

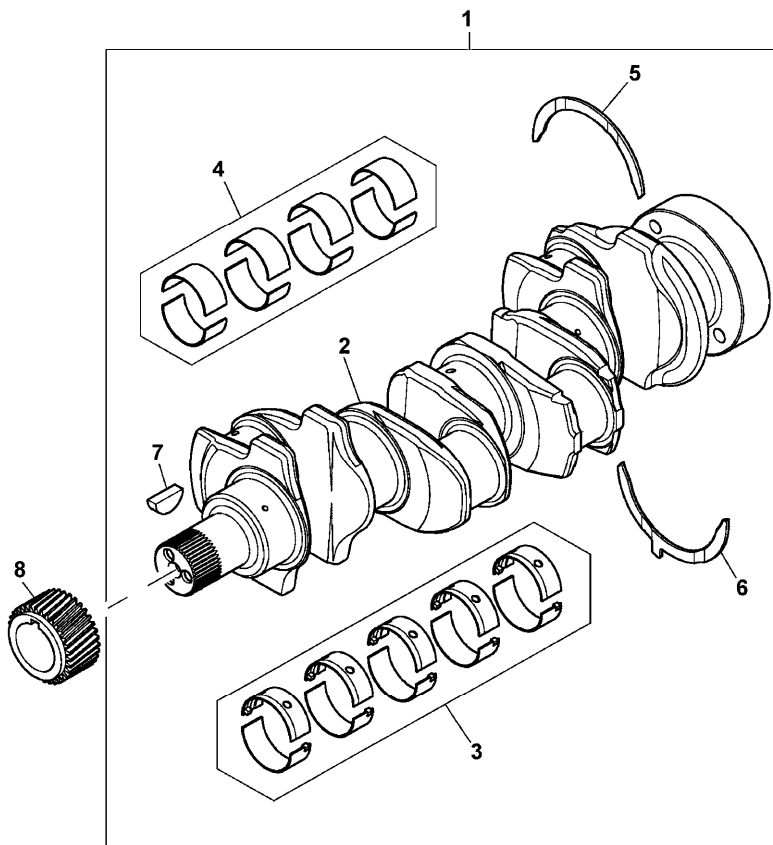
CP03\000015073.png

A-05
04



A0504

Camshaft



Inglese

1	ZZ90222	➔	U056074 t	1	Kit
		●	ZZ90239(1)		
1	ZZ90237	➔	U056075 t	1	Shaft
2		!	1	1	Shaft
		➔	Ref.n.1		
3	U5MB0018	!	1	1	Kit
		➔	U056074 t		
		●	U5MB0033(1)		
		T-A	15:0		
3	U5MB0018A	!	1	1	Kit
		⚡	(+) 0.010"		
		➔	U056074 t		
		●	U5MB0033A(1)		
		T-A	15:0		
3	U5MB0018B	!	1	1	Kit
		⚡	(+) 0.020"		
		➔	U056074 t		
		●	U5MB0033B(1)		
		T-A	15:0		
3	U5MB0018C	!	1	1	Kit
		⚡	(+) 0.030"		
		➔	U056074 t		
		●	N.L.A.(1)		
		T-A	15:0		
3	U5MB0033	!	1	1	Kit
		➔	U056075 t		

Engine

T series Restyling (2011-) - CP03 - T 105 f-m-c

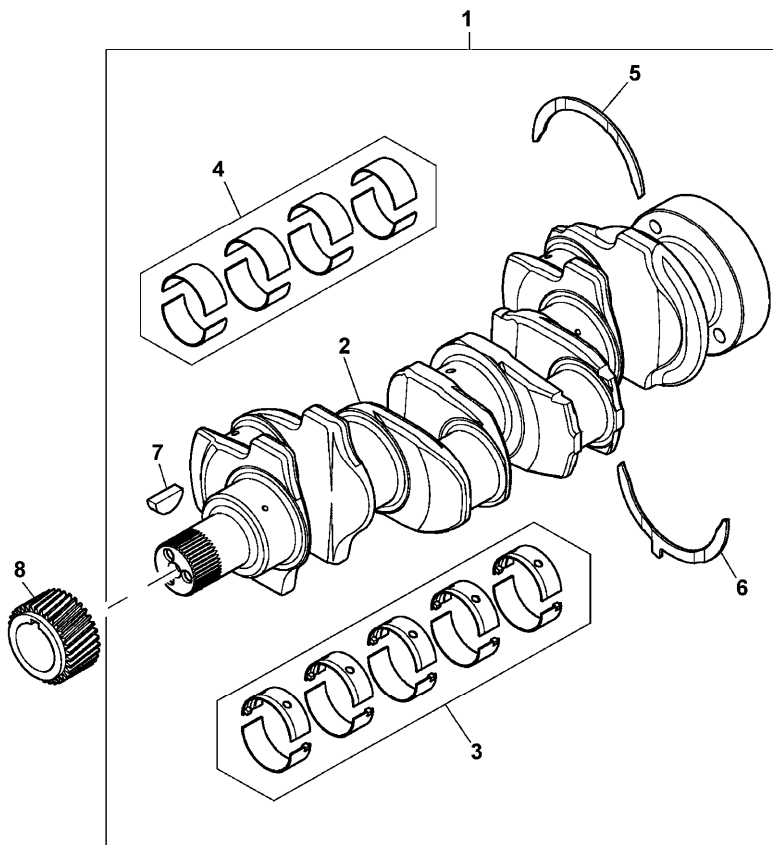
CP03\000015073.png

A-05
04



A0504

Camshaft



Inglese

3	U5MB0033A	!	1	1 Kit
		⚡	-0,25mm	
		➔	U056075 t	
3	U5MB0033B	!	1	1 Kit
		⚡	-0,50mm	
		➔	U056075 t	
3	U5MB0033C	!	1	1 Kit
		⚡	-0,75mm	
		➔	U056075 t	
		●	N.L.A.(1)	
4	T400002	!	1	1 Kit
		➔	U056075 t	
		●	T410927(1)	
4	U5ME0026	!	1	1 Kit
		➔	U056074 t	
		●	U5ME0034(1)	
4	U5ME0026A	!	1	1 Kit
		⚡	(+) 0.25mm	
		➔	U056074 t	
		●	U5ME0034A(1)	
4	U5ME0026B	!	1	1 Kit
		⚡	(+) 0.50mm	
		➔	U056074 t	
		●	U5ME0034B(1)	

Engine

T series Restyling (2011-) - CP03 - T 105 f-m-c

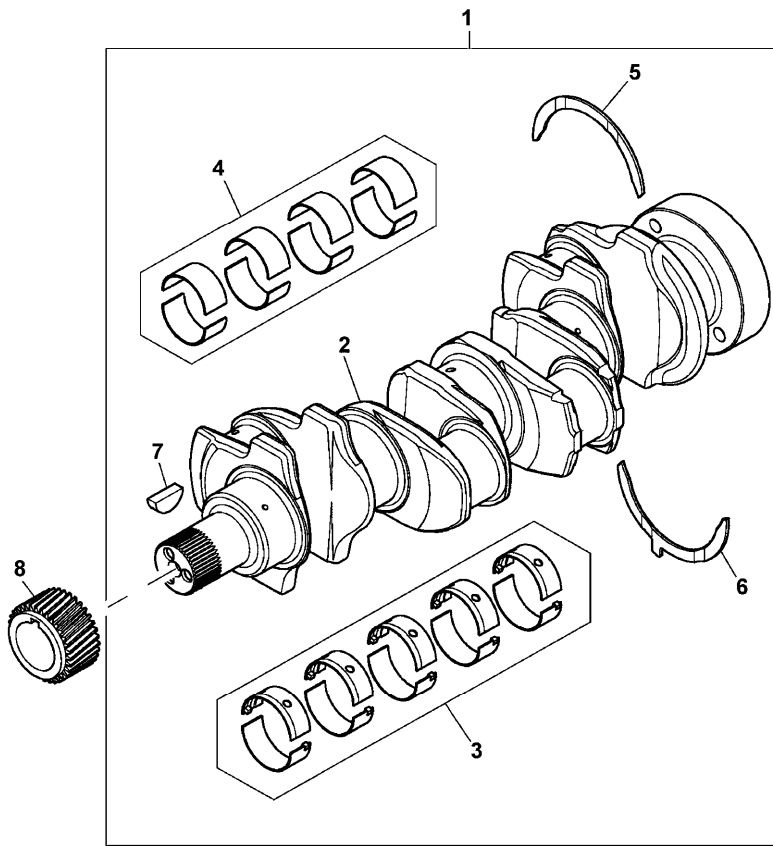
CP03\000015073.png

A-05
04



A0504

Camshaft



		Inglese	
4	U5ME0026C	! 1 (+0.75mm)	1 Kit
		U056074 t	
		U5ME0034C(1)	
5	31137312	! 1 (+0.007"	2 Ring
		T-A 15:0	
5	31137551	! 1	2 Washer
		T-A 15:0	
6	31137322	! 1 (+0.007"	2 Ring
		T-A 15:0	
6	31137561	! 1	2 Washer
		T-A 15:0	
7	0500012	! 1	1 Key
		T-A 10:0	
8	3117C221	T-A 10:0	1 Gear
! This is a component of an assembly			
From serial or engine number			
Up to serial or engine number			
Not serviced, order			
Shim			
Replacement			
T-A Replacement			

Engine

T series Restyling (2011-) - CP03 - T 105 f-m-c

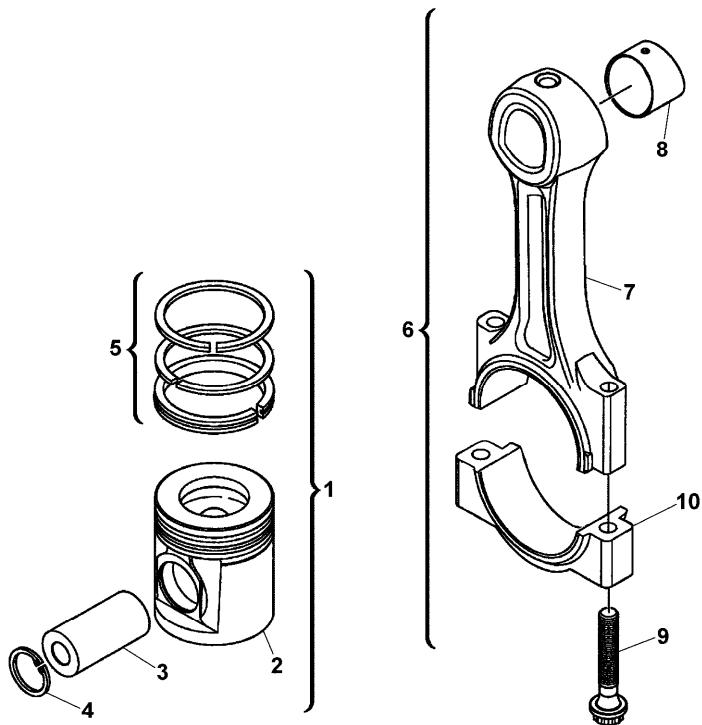
CP03\000032.901.png

A-05
05



A0505

Pistons and connecting rods



			Inglese
1	U5PR0062	Std	4 Kit
1	U5PR0062B	+0,5 mm	4 Kit
2		! 1	1 Piston
		➡ Ref.n.1	
3		! 1	1 Pin
		➡ Ref.n.1	
4	2721332	! 1	2 Ring
5	UPRK0005	! 1	1 Kit
6	4115C311	➡ U056074 t	4 Kit
		A	
		T-A 14:0	
6	4115C312	➡ U056074 t	4 Kit
		B	
		T-A 14:0	
6	4115C313	➡ U056074 t	4 Kit
		C	
		T-A 14:0	
6	4115C314	➡ U056074 t	4 Kit
		D	
		T-A 14:0	
6	4115C315	➡ U056074 t	4 Kit
		E	
		T-A 14:0	
6	4115C316	➡ U056074 t	4 Kit
		F	
		T-A 14:0	

Engine

T series Restyling (2011-) - CP03 - T 105 f-m-c

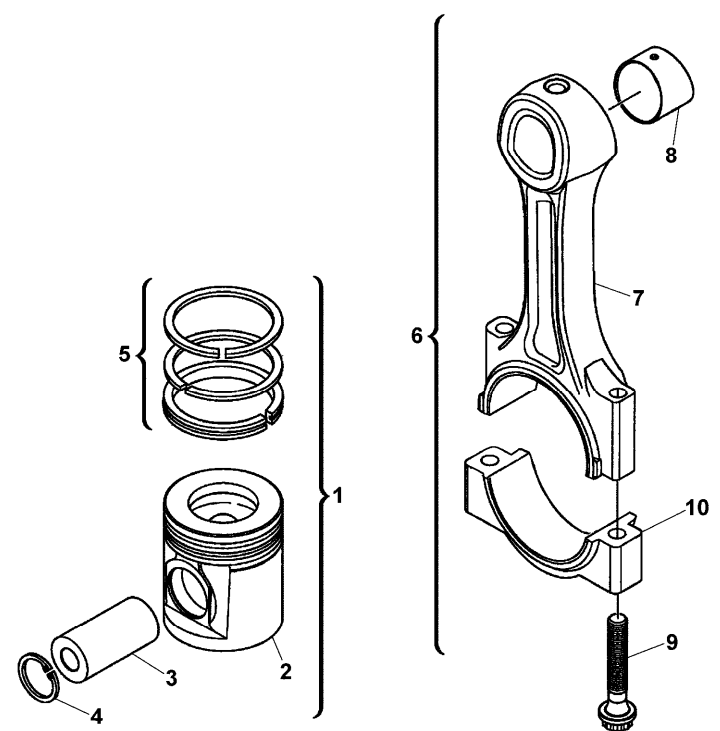
CP03\000032.901.png

A-05
05



A0505

Pistons and connecting rods



		Inglese	
6	4115C361 ➡	U056075 t	4 Conrod
	A		
6	4115C362 ➡	U056075 t	4 Conrod
	B		
6	4115C363 ➡	U056075 t	4 Conrod
	C		
6	4115C364 ➡	U056075 t	4 Conrod
	D		
6	4115C365 ➡	U056075 t	4 Conrod
	E		
6	4115C366 ➡	U056075 t	4 Conrod
	F		
7	! 6		1 Conrod
	➡ Ref.n.6		
8	3112A005 ! 6		1 Bush
	T-A 14:0		
9	3212V003 ! 6		2 Screw
	➡ U056074 t		
9	T400001 ! 6		2 Screw
	➡ U056075 t		
10	! 6		1 Guard
	➡ Ref.n.6		

- ! This is a component of an assembly
- ➡ From serial or engine number
- ➡ Up to serial or engine number
- ➡ Not serviced, order
- T-A Replacement

Engine

T series Restyling (2011-) - CP03 - T 105 f-m-c

CP03\000032.901.png

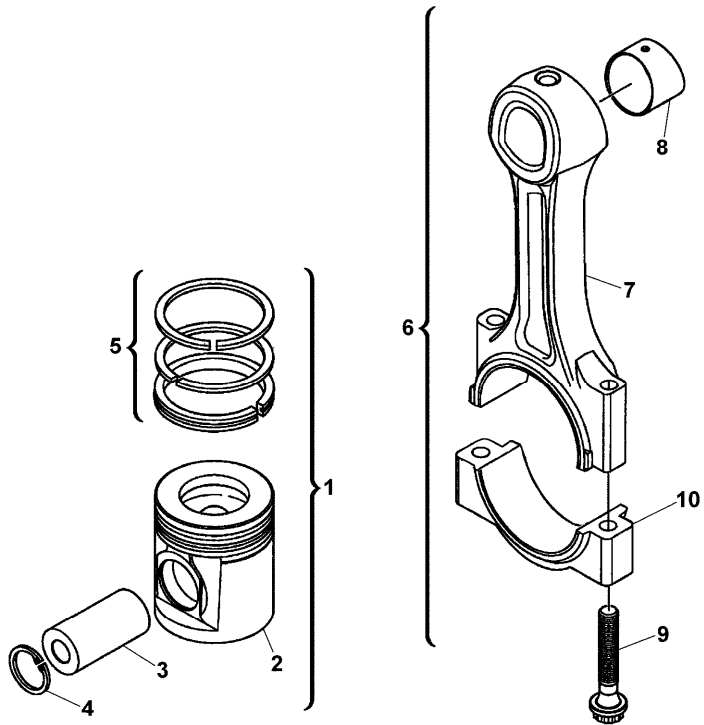
A-05
05



A0505

Pistons and connecting rods

- A Red
- B Orange
- C White
- D Green
- E Purple
- F Blue



Engine

T series Restyling (2011-) - CP03 - T 105 f-m-c

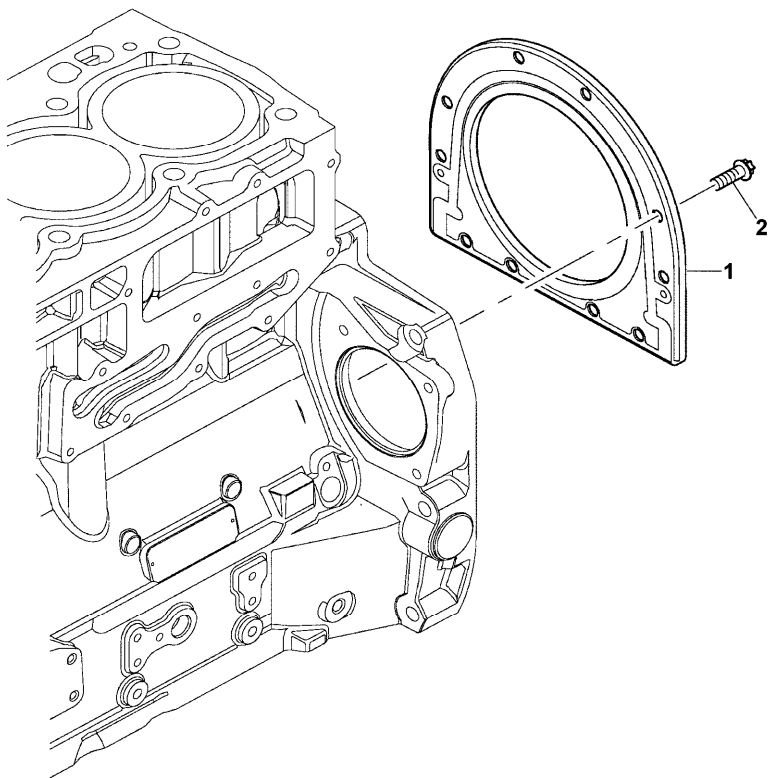
CP03\000015074.png

A-05
06



A0506

End cover



1 2418F704 T-A 9:0

2 3211C002

T-A Replacement

Inglese

1 Housing

10 Screw

Engine

T series Restyling (2011-) - CP03 - T 105 f-m-c

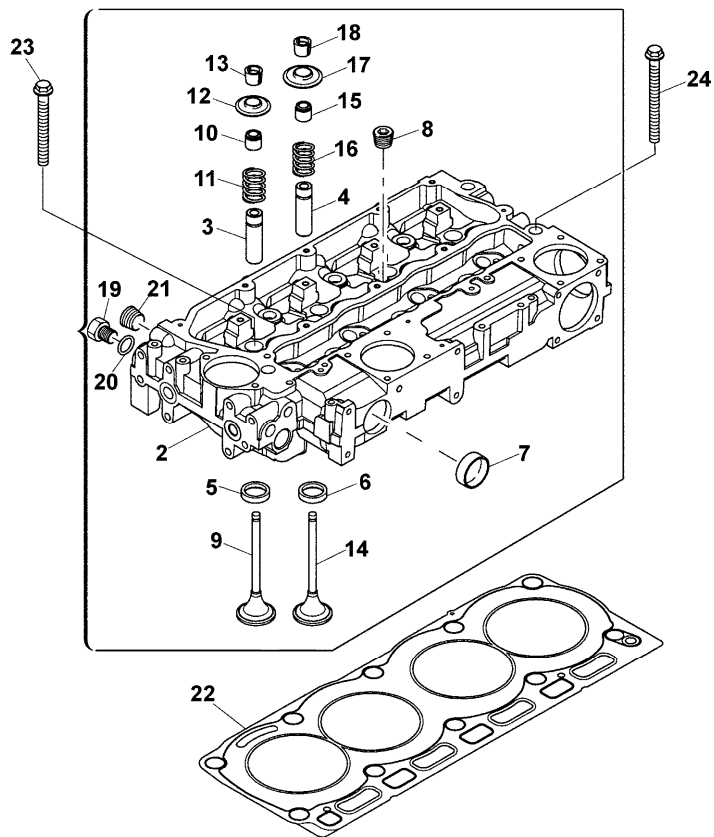
CP03\000020527.png

A-05
07



A0507

Cylinder head



Inglese

21 2431154 ! 1

1 Plug

22 3681E051

1 Gasket

23 3218A011

7 Screw

24 3218A012

3 Screw

! This is a component of an assembly

🔧 Not serviced, order

🔁 Replacement

A Green

B Brown

Engine

T series Restyling (2011-) - CP03 - T 105 f-m-c

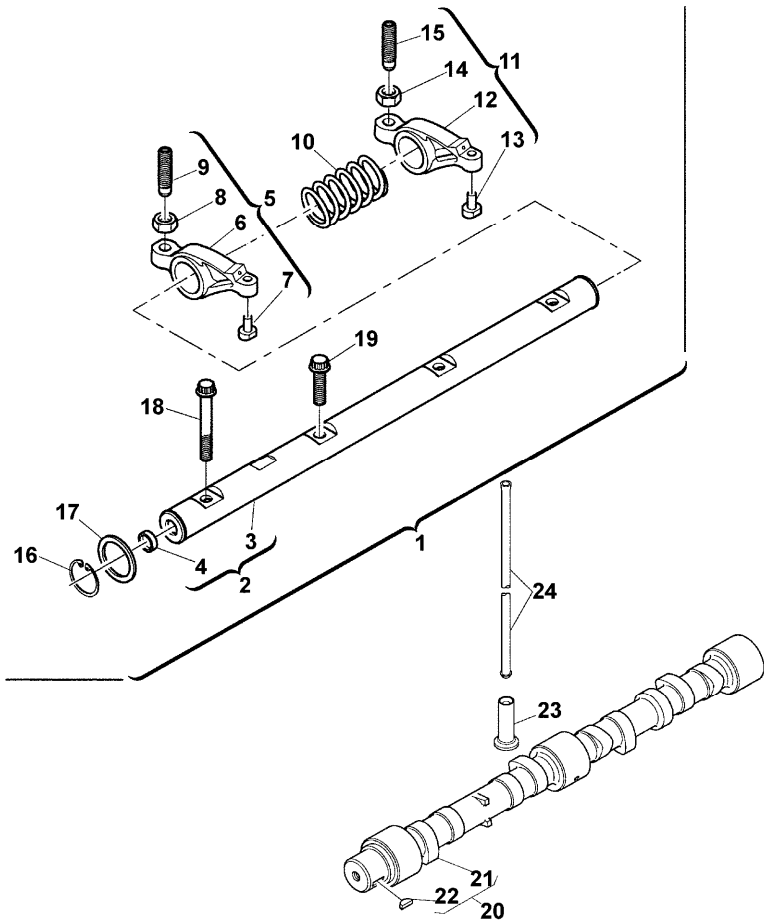
CP03\000032.902.png

A-05
08



A0508

Rocker shaft



		Inglese	
1	4115R613		1 Axle
2	4115R703	! 1	1 Shaft
		T-A 4:0	
3		! 2	1 Axle
		➡ Ref.n.2	
4	2485A104	! 2	2 Plug
5	4115R319	! 1	4 Lever
6		! 5	1 Rocker
		➡ Ref.n.5	
7		! 5	1 Pad
		➡ Ref.n.5	
8	3331A006	! 5	1 Nut
9	3211C004	! 5	1 Screw
10	3174A015	! 1	3 Spring
		T-A 4:0	
11	4115R318	! 1	4 Lever
12		! 11	1 Rocker
		➡ Ref.n.11	
13		! 11	1 Pad
		➡ Ref.n.11	
14	3331A006	! 11	1 Nut
15	3211C004	! 11	1 Screw
16	2722A022	! 1	2 Ring
17	2134A502	! 1	2 Washer
18	2316A901	! 1	1 Screw

Engine

T series Restyling (2011-) - CP03 - T 105 f-m-c

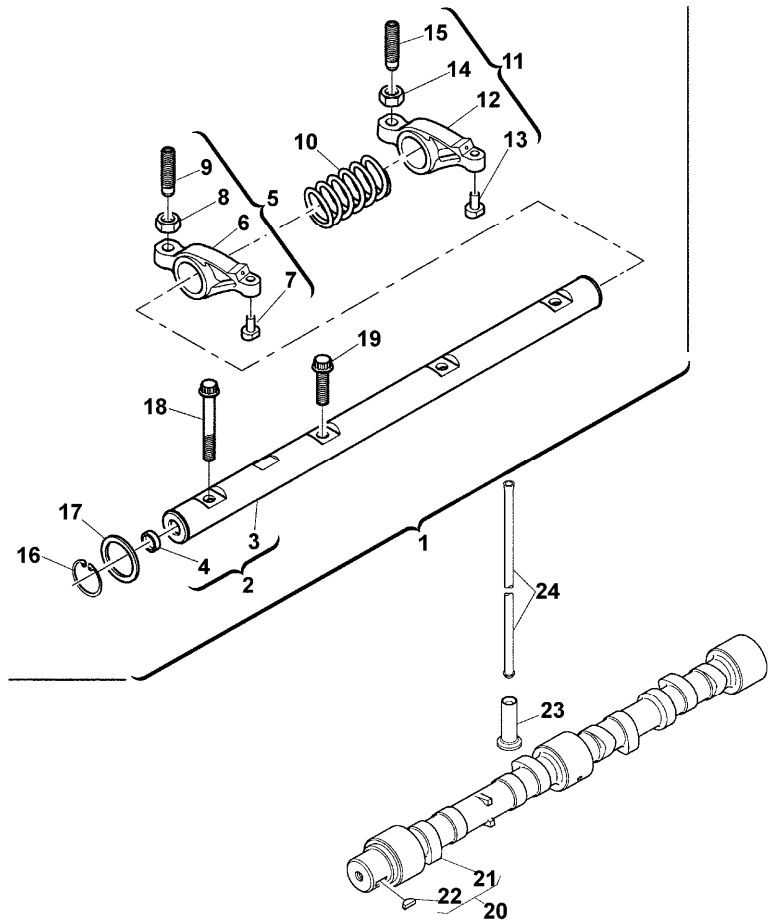
CP03\000032.902.png

A-05
08



A0508

Rocker shaft



Inglese

19	2316A902	!	1	3	Screw
20	4112K075	●	4112K077(1)	1	Shaft
21		!	20	1	Shaft
		➡	Ref.n.20		
22	0500012	!	20	1	Key
23	3142U061			8	Tappet
24	3142V011			8	Rod

- ! This is a component of an assembly
- ➡ Not serviced, order
- Replacement
- T-A Replacement

Engine

T series Restyling (2011-) - CP03 - T 105 f-m-c

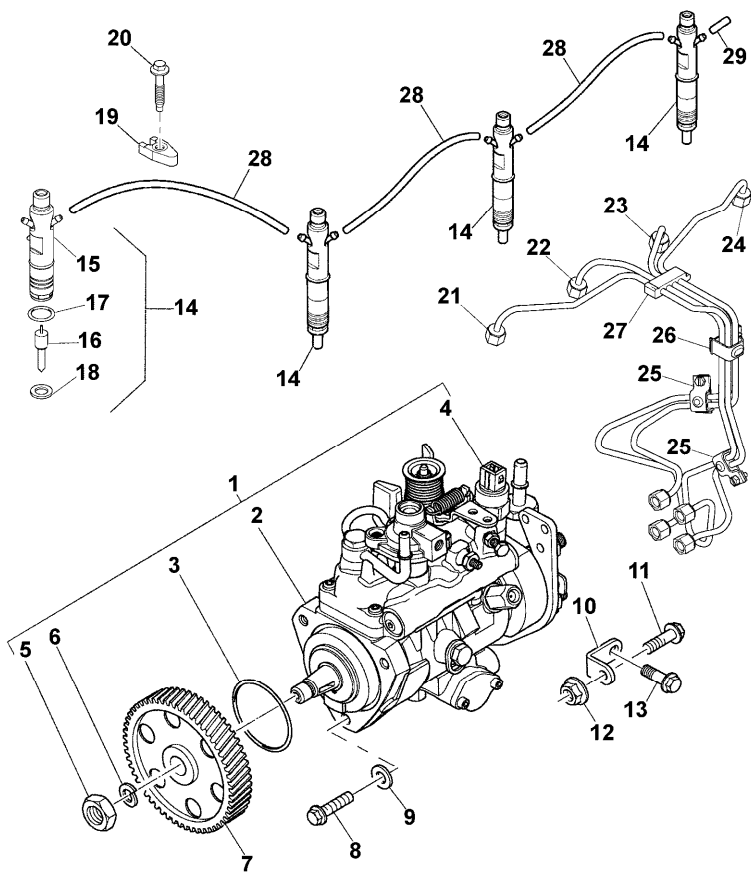
A-05
09



A0509

Fuel injection equipment (diesel)

CP03\000032.917.png



		Inglese
1	2644C313/22	1 Pump
2	!	1 Pump
	➡ Ref.n.1	
3	26420318	1 Ring
	T-A 4:50	
4	26420469	1 Solenoid
	(X) 1.2.5.	
	T-A 0:25	
5	2318A108	1 Nut
6	K134AF01	1 Washer
7	3117L261	1 Gear
8	2314H004	3 Screw
9	2411D008	3 Washer
10	3641A007	1 Stirrup
11	2314H003	1 Screw
12	2318A603	1 Nut
13	2314J002	1 Screw
14	2645K025	4 Nozzle
15	!	14 Support
	➡ Ref.n.14	
16	!	14 Nozzle
17	26460064	1 Ring
18	L311FF02	1 Washer
19	3751A241	4 Clamp
20	2314W009	4 Screw

Engine

T series Restyling (2011-) - CP03 - T 105 f-m-c

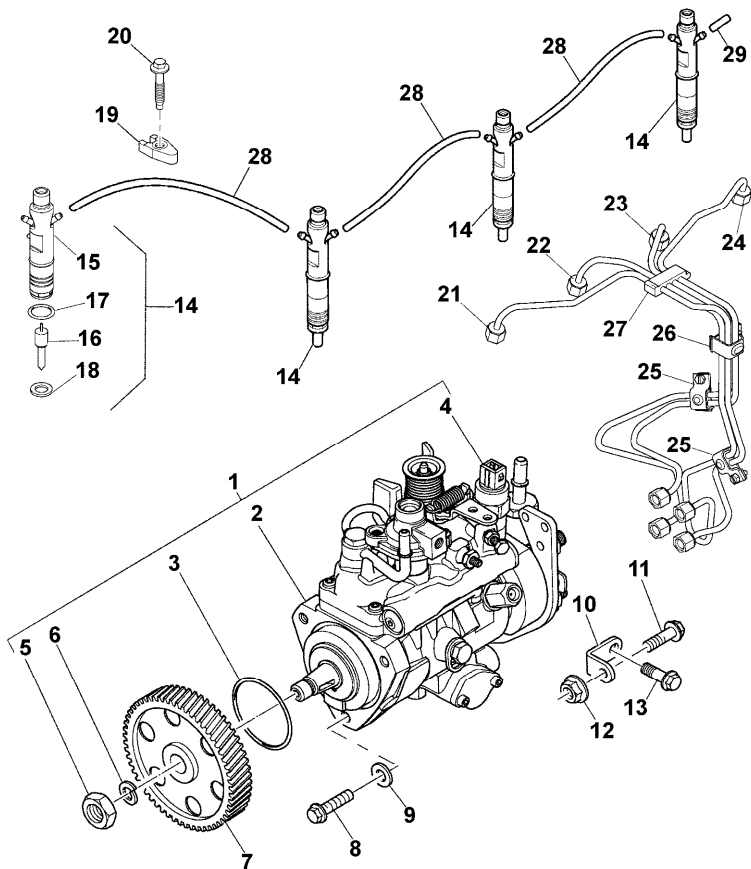
A-05
09



A0509

Fuel injection equipment (diesel)

CP03\000032.917.png



Inglese

- 21 3525A101 1 Pipe
- 22 3525A102 1 Pipe
- 23 3525A103 1 Pipe
- 24 3525A104 1 Pipe
- 25 2481Y011 2 Clip
- 26 2481Y012 1 Clip
- 27 2646E019 1 Clip
- 28 2646F501 3 Pipe
- 29 2646E501 1 Cap

! This is a component of an assembly

Not serviced, order

(X) Qty per tractors sold (aa.bbb.ccc.ddd) (aa) for 1,(bbb) 2-10 (ccc) 11-25 (ddd) 26-50

T-A Replacement

Engine

T series Restyling (2011-) - CP03 - T 105 f-m-c

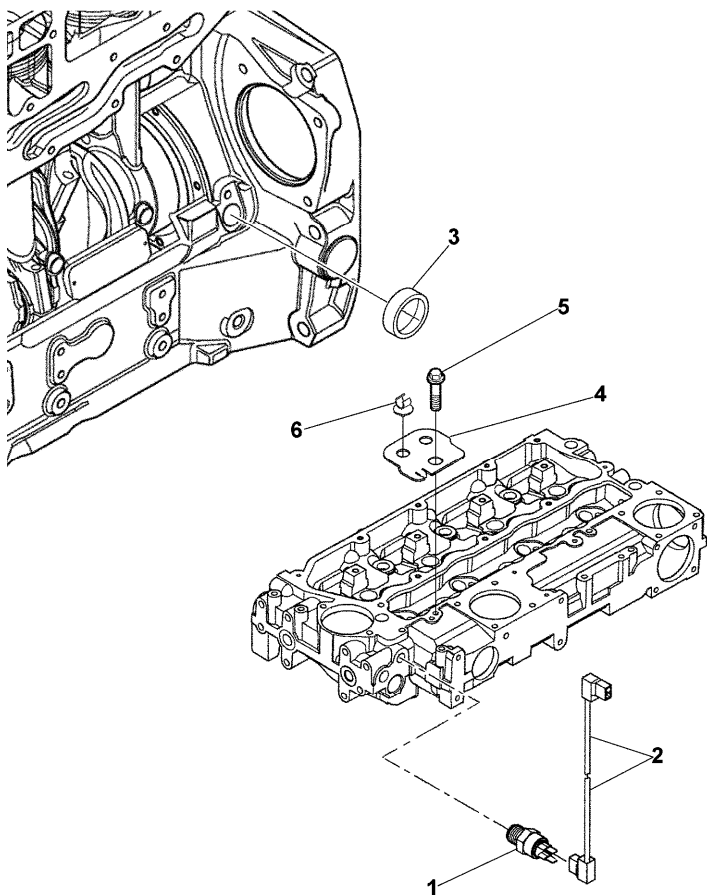
CP03\000032.904.png

A-05
10



A0510

Sensor pickup,start and stop control



1 2848A123 A
T-A 0:50

2 3161C017

3 2485A109

4 3653A017

5 2314H002

6 2481D456

T-A Replacement

A Engine water temperature

Inglese

1 Sensor

1 Cable

1 Plug

1 Stirrup

1 Screw

1 Clip

Engine

T series Restyling (2011-) - CP03 - T 105 f-m-c

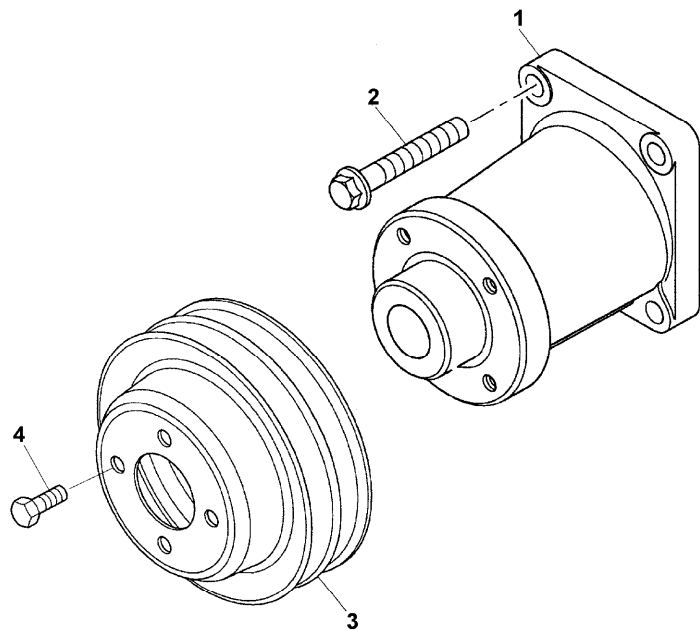
CP03\000015079.png

A-05
11



A0511

Fan-type pulley



- 1 4113K005 T-A 1:75
 - 2 2314J005
 - 3 3115C161 T-A 1:50
 - 4 2314C044
- T-A Replacement

Inglese

- 1 Housing
- 4 Screw
- 1 Pulley
- 4 Screw

Engine

T series Restyling (2011-) - CP03 - T 105 f-m-c

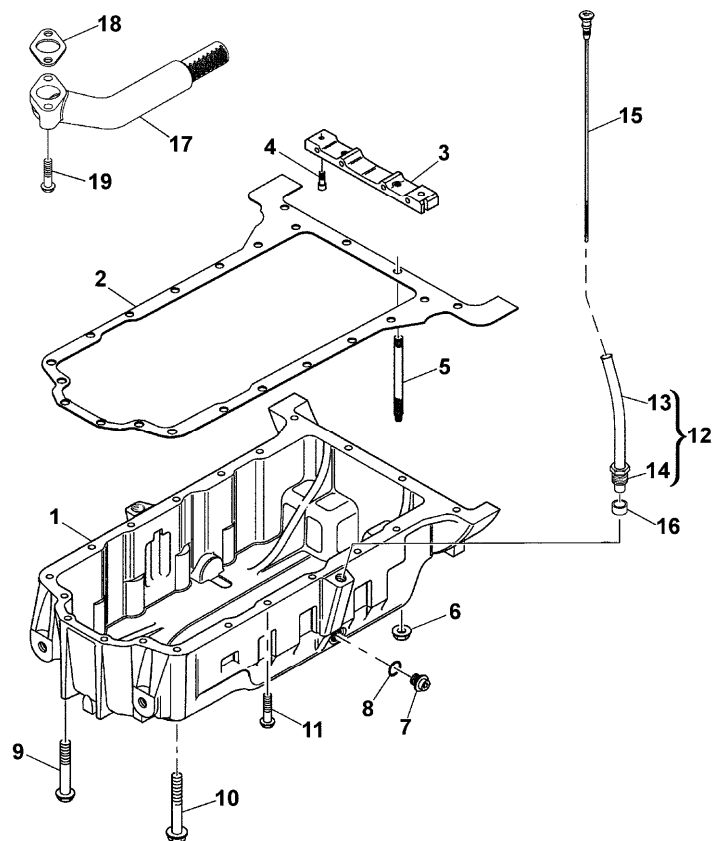
CP03\000032.905.png

A-05
12



A0512

Lubricating oil sump



1	3717E272			
2	3681K036	(X)	1.2.5.	
			T-A	1:50
3	3627P041		T-A	1:50
4	2311D039			
5	3211P013			
6	2318A603			
7	32186405		T-A	0:25
8	2415715		T-A	0:25
9	2314H023			
10	2314H022	●	2314H052(1)	
11	2314H015			
12	3577A125		T-A	0:25
13		!	12	
		▶	Ref.n.12	
14	3353D005	!	12	
15	3178C081		T-A	0:25
16	33812116			
17	3765A091		T-A	1:75
18	36832137		T-A	1:75
19	2314H006			

Inglese

1	Crankcase
1	Gasket
1	Crosspiece
2	Screw
2	Stud
2	Nut
1	Plug
1	Ring
5	Screw
1	Screw
12	Screw
1	Pipe
1	Pipe
1	Nut
1	Rod
1	Olive
1	Pipe
1	Gasket
2	Screw

! This is a component of an assembly

▶ Not serviced, order

● Replacement

(X) Qty per tractors sold (aa.bbb.ccc.ddd) (aa) for 1,(bbb) 2-10 (ccc) 11-25 (ddd) 26-50

T-A Replacement

Engine

T series Restyling (2011-) - CP03 - T 105 f-m-c

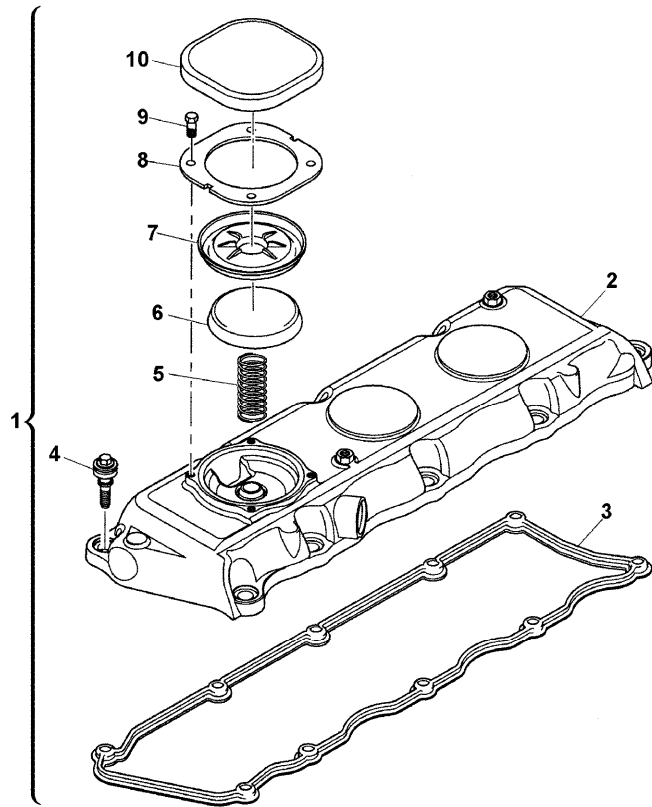
CP03\000020533.png

**A-05
13**



A0513

Cylinder head cover



		Inglese	
1	4142X325	● T417478(1)	1 Coperch.
2		! 1	1 Cover
3	3681A055	▣ Ref.n.1	1 Gasket
		(X) 1.2.5.	
		T-A 1:0	
4	2161A013	! 1	10 Screw
5	3174A017	! 1	1 Spring
		T-A 0:25	
6	3788A002	! 1	1 Cap
		T-A 0:25	
7	3789A001	! 1	1 Diaphragm
		T-A 0:25	
8	3615A009	! 1	1 Plate
		T-A 0:25	
9	2151A001	! 1	4 Screw
10	3788A003	! 1	1 Cap
		T-A 0:25	
	!	This is a component of an assembly	
	▣	Not serviced, order	
	●	Replacement	
	(X)	Qty per tractors sold (aa.bbb.ccc.ddd) (aa) for 1,(bbb) 2-10 (ccc) 11-25 (ddd) 26-50	
	T-A	Replacement	

Engine

T series Restyling (2011-) - CP03 - T 105 f-m-c

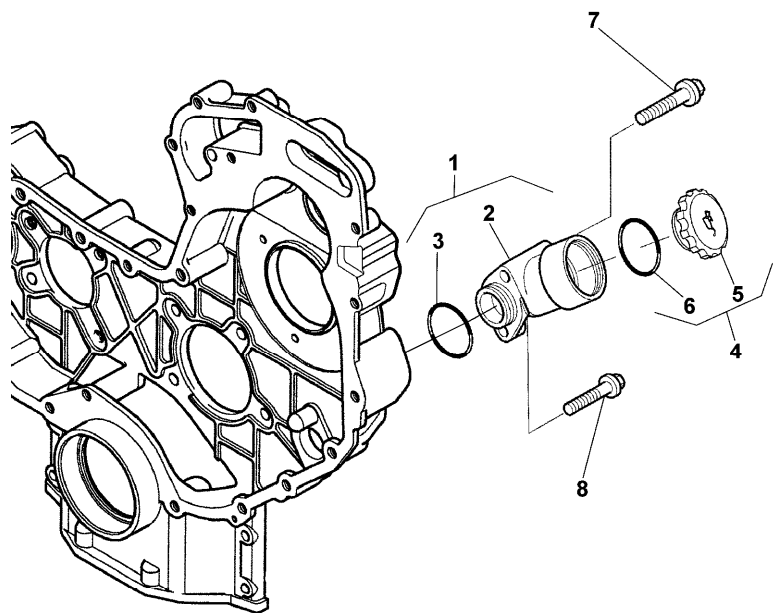
CP03\000032.907.png

**A-05
14**



A0514

Filler



				Inglese
1	4134C072	T-A 0:25		1 Filler
2		! 1		1 Body
		➡ Ref.n.1		
3	2415H540	! 1		1 Ring
		T-A 0:25		
4	4142X098	! 1		1 Plug
		(X) 1.3.5.1		
		T-A 0:25		
5		! 4		1 Plug
		➡ Ref.n.4		
6	2415633	! 4		1 O ring
		T-A 0:25		
7	2314K161			1 Screw
8	2314H005			1 Screw
		! This is a component of an assembly		
		➡ Not serviced, order		
		(X) Qty per tractors sold (aa.bbb.ccc.ddd) (aa) for 1,(bbb) 2-10 (ccc) 11-25 (ddd) 26-50		
		T-A Replacement		

Engine

T series Restyling (2011-) - CP03 - T 105 f-m-c

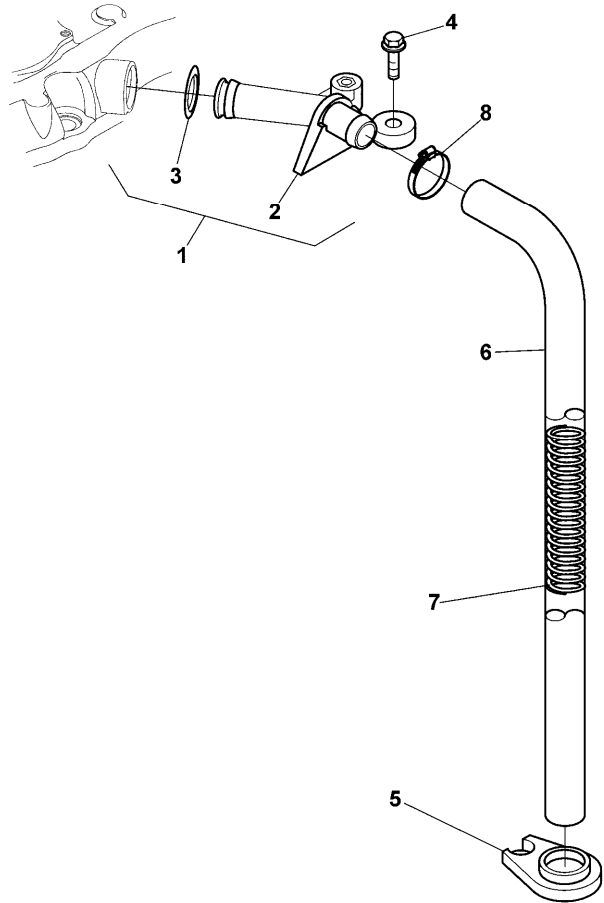
CP03\000032.918.png

A-05
15



A0515

Breather



- 1 4133J011
 - 2 ! 1
 - 3 2415A068 ! 1
 - 4 2314F005
 - 5 36241123 T-A 0:25
 - 6 33872632 T-A 0:25
 - 7 3175P003
 - 8 2481877
- ! This is a component of an assembly
 Not serviced, order
 T-A Replacement

Inglese

- 1 Pipe
- 1 Pipe
- 1 Ring
- 2 Screw
- 1 Support
- 1 Pipe
- 1 Spring
- 1 Clamp



Suggest:

For more complete manuals. Please go to the home page.

<https://www.ebooklibonline.com>

If the above button click is invalid. Please download this document first, and then click the above link to download the complete manual.

Thank you so much for reading

Engine

T series Restyling (2011-) - CP03 - T 105 f-m-c

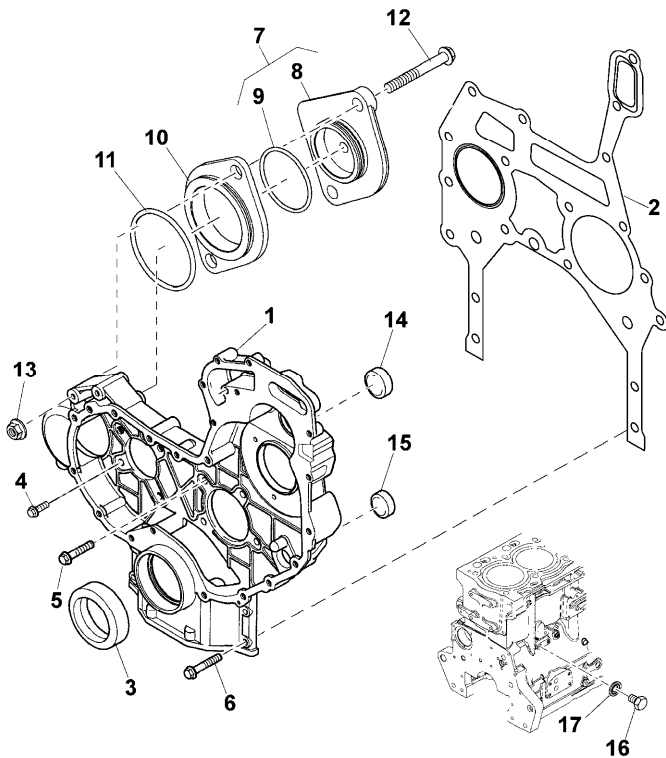
CP03\000032.908.png

**A-05
16**



A0516

Gasket sets



		Inglese
1	3716C581	1 Housing
2	3681P053	1 Gasket
3	2418F437	1 Seal
4	2314H003	6 Screw
5	2314H006	2 Screw
6	2314H034	4 Screw
7	4148K012	1 Plate
8	! 7	1 Plate
	➡ Ref.n.7	
9	2415H515	1 Ring
10	3617a044	1 Disc
11	2415H516	1 O ring
12	2314J014	2 Screw
13	2318A604	2 Nut
14	2485A124	1 Plug
15	2485A118	1 Plug
16	2314C049	1 Screw
17	2415D053	1 Washer
!	This is a component of an assembly	
➡	Not serviced, order	
T-A	Replacement	

Engine

T series Restyling (2011-) - CP03 - T 105 f-m-c

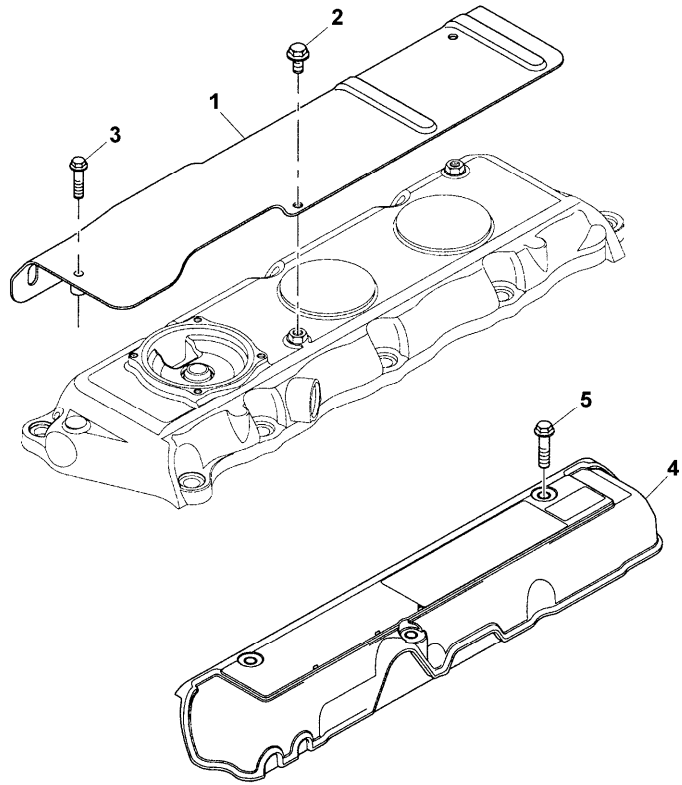
CP03\000020537.png

A-05
17



A0517

Cylinder head cover



- 1 3812A026 T-A 0:25
 - 2 2314F001
 - 3 2314F006
 - 4 3788N003
 - 5 2314F003
- T-A Replacement

Inglese

- 1 Heatshield
- 2 Screw
- 1 Screw
- 1 Cover
- 3 Screw

<https://www.ebooklibonline.com>

Hello dear friend!

Thank you very much for reading.

Enter the link into your browser.

The full manual is available for immediate download.

<https://www.ebooklibonline.com>