

Engine

T series Restyling (2011-) - CP03 - T 90 f-m-c

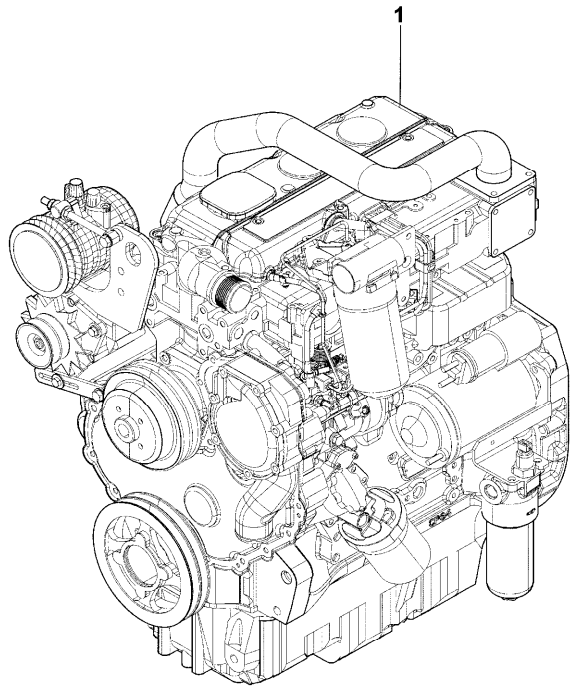
CP03\00005170.png

A-05
01



A0501

Engine assembly



		Inglese	
1	3696815M91	Perkins n138946 -	1 Engine
1	6510956M91	Perkins n151689 -	1 Engine
		A	
1	6512067M91	Perkins n182003 -	1 Engine
		B	
		C	
A	Tier 3b		
B	Flexibility engine		
C	Cee		

Engine

T series Restyling (2011-) - CP03 - T 90 f-m-c

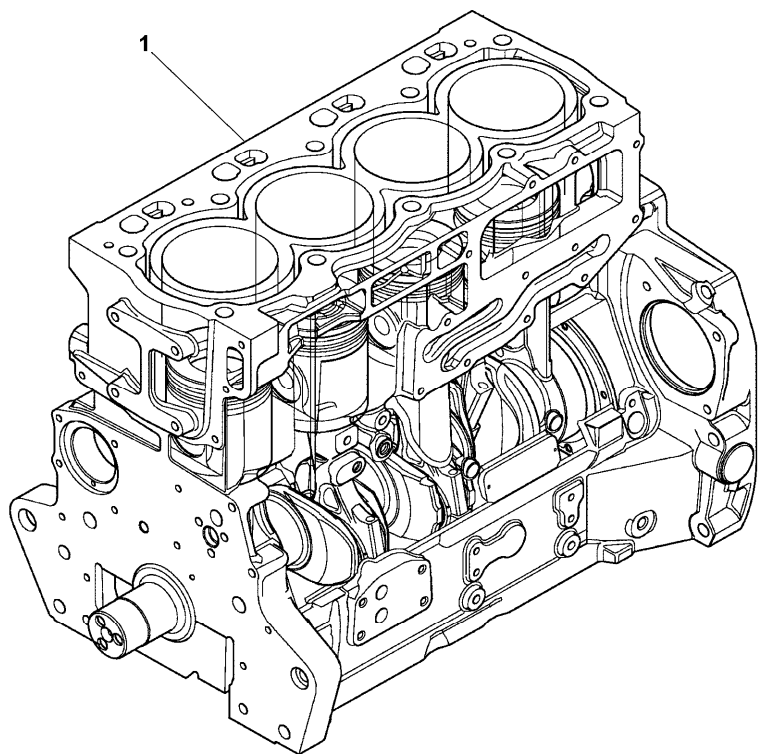
CP03\000015070.png

A-05
02



A0502

Short engine



Inglese

- | | | | | | |
|---|---------|--|----------------------------------|---|--------------|
| 1 | NM40008 | | U056074 t | 1 | Short engine |
| | | | 3115A141(1),
32186146(3), NM4 | | |
| 1 | NM40019 | | U056075 t | 1 | Short engine |

- From serial or engine number
- Up to serial or engine number
- Replacement

Engine

T series Restyling (2011-) - CP03 - T 90 f-m-c

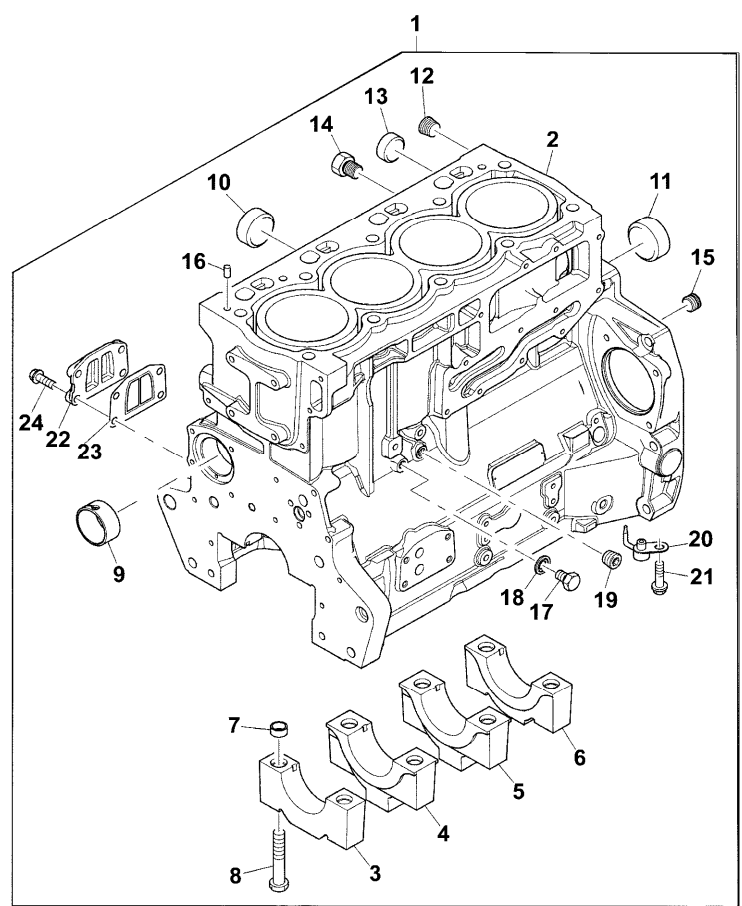
CP03\000015072.png

**A-05
03**



A0503

Cylinder block



		Inglese	
1	ZZ50321	● ZZ50325(1)	1 Block
2		! 1	1 Cylinder block
3		➡ Ref.n.1	
4		! 1	1 Bearing
5		➡ Ref.n.1	
6		! 1	2 Bearing
7	33142111	! 1	1 Bearing
8	32166329	! 1	1 Bearing
9	3112D071	! 1	10 Manicott
10	3241A011	! 1	10 Screw
11	3241A012	! 1	1 Bush
12	0650588	! 1	● 3112D075(1)
13	0650710	! 1	2 Plug
14	32141316	! 1	1 Plug
15	3212P008	! 1	1 Plug
16	3244A009	! 1	1 Plug
17	2314C049	! 1	2 Dowel
18	2415D053	! 1	1 Screw
19	0650594	! 1	1 Washer
			1 Plug

<https://www.ebooklibonline.com>

Hello dear friend!

Thank you very much for reading.

Enter the link into your browser.

The full manual is available for immediate download.

<https://www.ebooklibonline.com>

Engine

T series Restyling (2011-) - CP03 - T 90 f-m-c

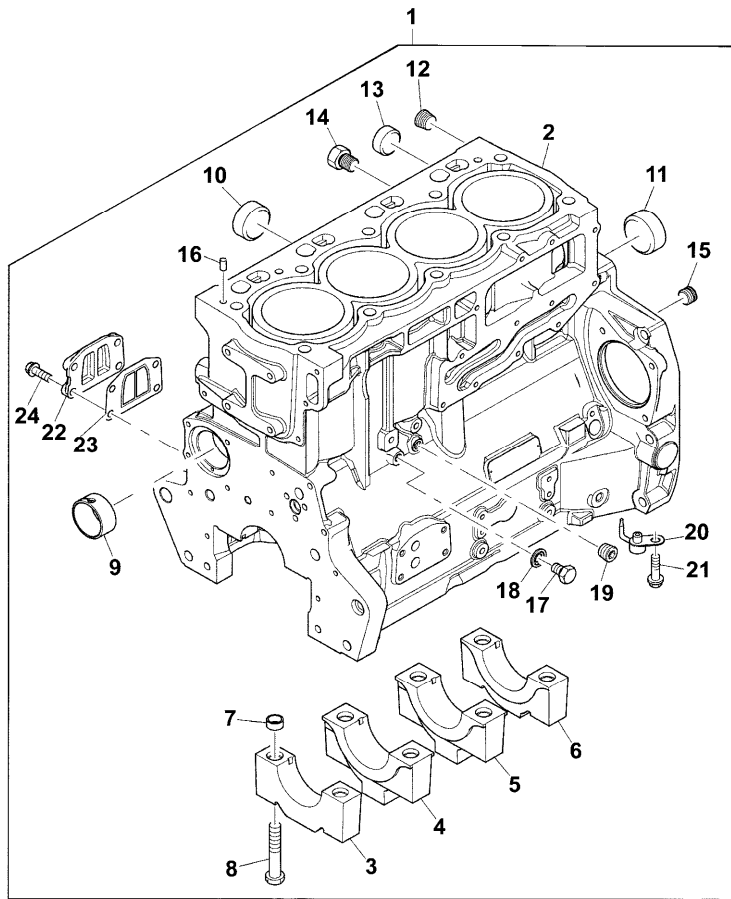
CP03\000015072.png

A-05
03



A0503

Cylinder block



- 20 2113A003 ! 1
- 21 2314F001 ! 1
- 22 3753A071 ! 1
- 23 3688A041 ! 1
- 24 2314H034 ! 1

- ! This is a component of an assembly
- ▣ Not serviced, order
- Replacement

Inglese

- 4 Atomiser
- 4 Screw
- 1 Coperch.
- 1 Ring
- 4 Screw

Engine

T series Restyling (2011-) - CP03 - T 90 f-m-c

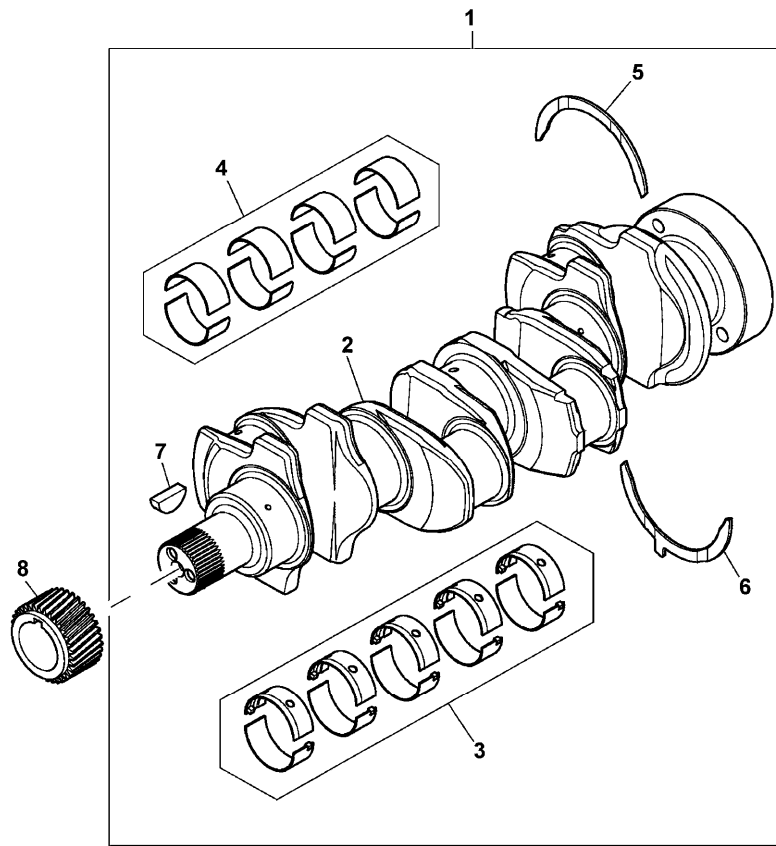
CP03\000015073.png

A-05
04



A0504

Camshaft



		Inglese	
1	ZZ90222	➔ U056074 t	1 Kit
		● ZZ90239(1)	
1	ZZ90237	➔ U056075 t	1 Shaft
2		! 1	1 Shaft
		➔ Ref.n.1	
3	U5MB0018	! 1	1 Kit
		➔ U056074 t	
		● U5MB0033(1)	
		T-A 15:0	
3	U5MB0018A	! 1	1 Kit
		⚡ (+) 0.010"	
		➔ U056074 t	
		● U5MB0033A(1)	
		T-A 15:0	
3	U5MB0018B	! 1	1 Kit
		⚡ (+) 0.020"	
		➔ U056074 t	
		● U5MB0033B(1)	
		T-A 15:0	
3	U5MB0018C	! 1	1 Kit
		⚡ (+) 0.030"	
		➔ U056074 t	
		● N.L.A.(1)	
		T-A 15:0	
3	U5MB0033	! 1	1 Kit
		➔ U056075 t	

Engine

T series Restyling (2011-) - CP03 - T 90 f-m-c

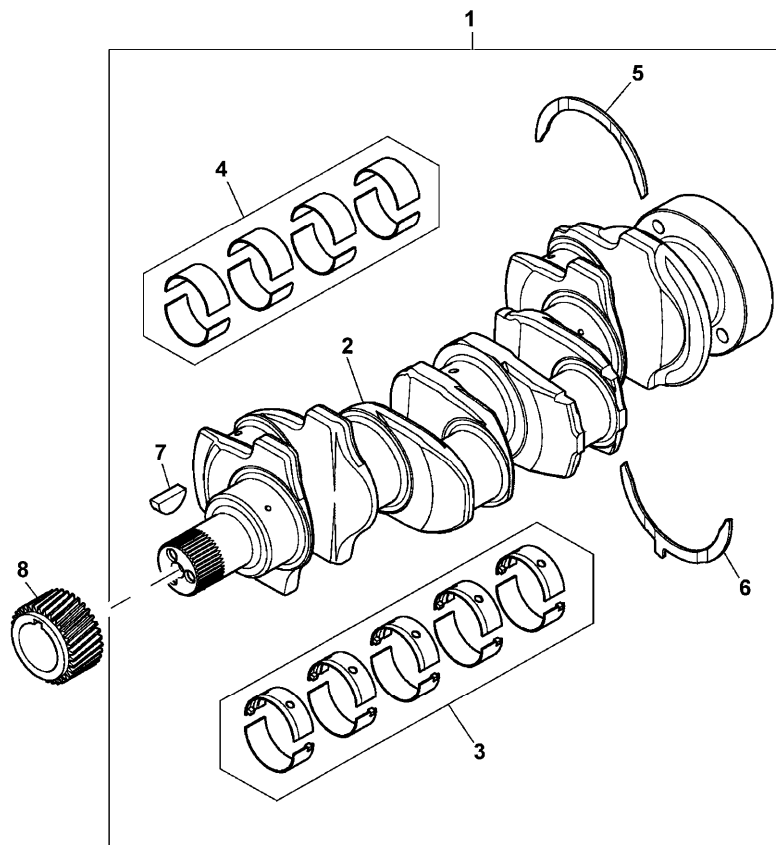
A-05
04



A0504

Camshaft

CP03\000015073.png



Inglese

3	U5MB0033A	!	1	1 Kit
		⚡	-0,25mm	
		➡	U056075 t	
3	U5MB0033B	!	1	1 Kit
		⚡	-0,50mm	
		➡	U056075 t	
3	U5MB0033C	!	1	1 Kit
		⚡	-0,75mm	
		➡	U056075 t	
		●	N.L.A.(1)	
4	T400002	!	1	1 Kit
		➡	U056075 t	
		●	T410927(1)	
4	U5ME0026	!	1	1 Kit
		➡	U056074 t	
		●	U5ME0034(1)	
4	U5ME0026A	!	1	1 Kit
		⚡	(+) 0.25mm	
		➡	U056074 t	
		●	U5ME0034A(1)	
4	U5ME0026B	!	1	1 Kit
		⚡	(+) 0.50mm	
		➡	U056074 t	
		●	U5ME0034B(1)	

Engine

T series Restyling (2011-) - CP03 - T 90 f-m-c

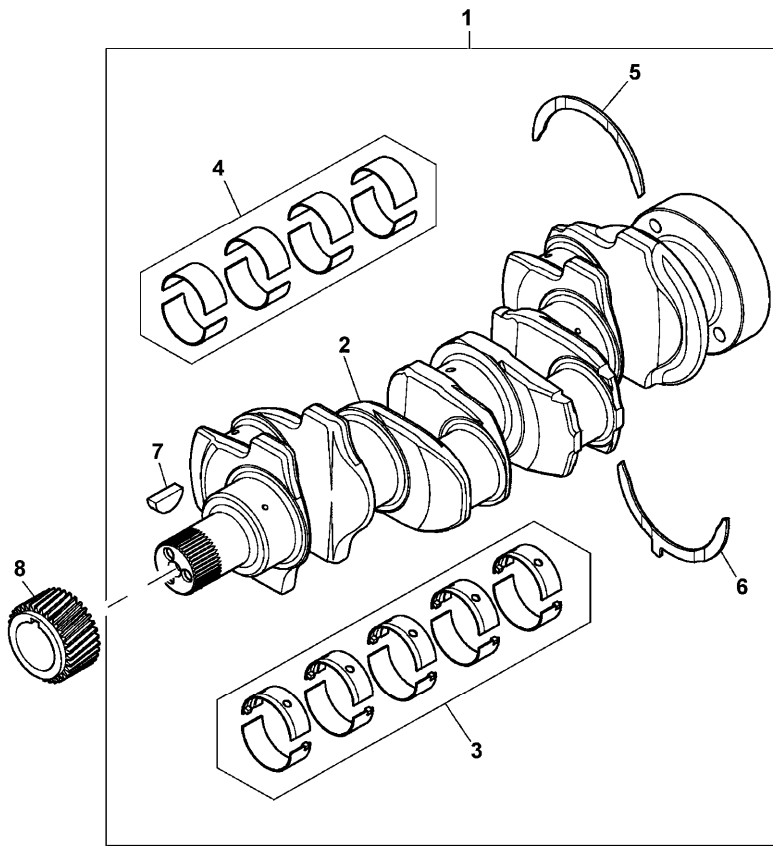
CP03\000015073.png

A-05
04



A0504

Camshaft



		Inglese	
4	U5ME0026C	! 1 X (+) 0.75mm U056074 t U5ME0034C(1)	1 Kit
5	31137312	! 1 X (+) 0.007"	2 Ring
		T-A 15:0	
5	31137551	! 1	2 Washer
		T-A 15:0	
6	31137322	! 1 X (+) 0.007"	2 Ring
		T-A 15:0	
6	31137561	! 1	2 Washer
		T-A 15:0	
7	0500012	! 1	1 Key
		T-A 10:0	
8	3117C221	T-A 10:0	1 Gear
! This is a component of an assembly			
U From serial or engine number			
U Up to serial or engine number			
U Not serviced, order			
X Shim			
● Replacement			
T-A Replacement			

Engine

T series Restyling (2011-) - CP03 - T 90 f-m-c

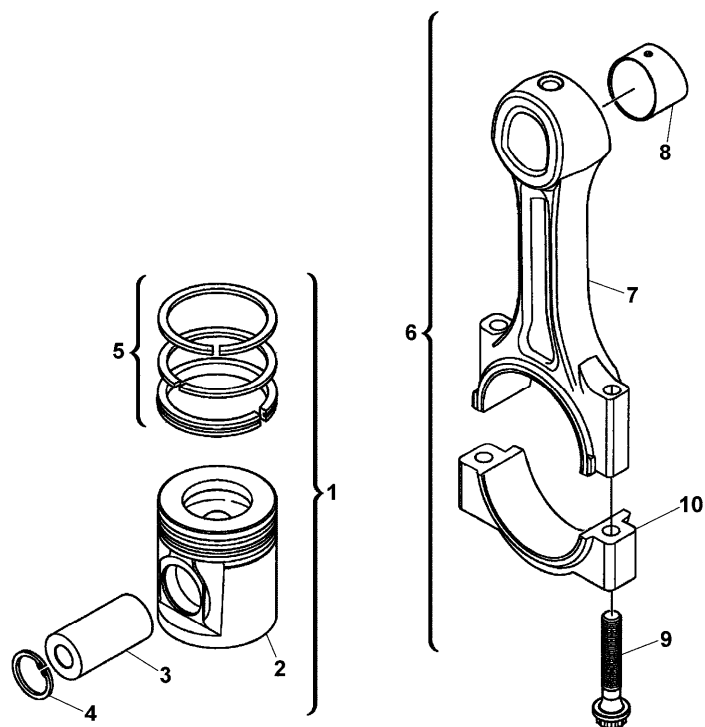
A-05
05



A0505

Pistons and connecting rods

CP03\000032.901.png



Inglese

1	U5PR0062	Std	4	Kit
1	U5PR0062B	+0,5 mm	4	Kit
2		!	1	Piston
		➡		Ref.n.1
3		!	1	Pin
		➡		Ref.n.1
4	2721332	!	1	2 Ring
5	UPRK0005	!	1	Kit
6	4115C311	➡	4	Kit
		A		
		T-A	14:0	
6	4115C312	➡	4	Kit
		B		
		T-A	14:0	
6	4115C313	➡	4	Kit
		C		
		T-A	14:0	
6	4115C314	➡	4	Kit
		D		
		T-A	14:0	
6	4115C315	➡	4	Kit
		E		
		T-A	14:0	
6	4115C316	➡	4	Kit
		F		
		T-A	14:0	

Engine

T series Restyling (2011-) - CP03 - T 90 f-m-c

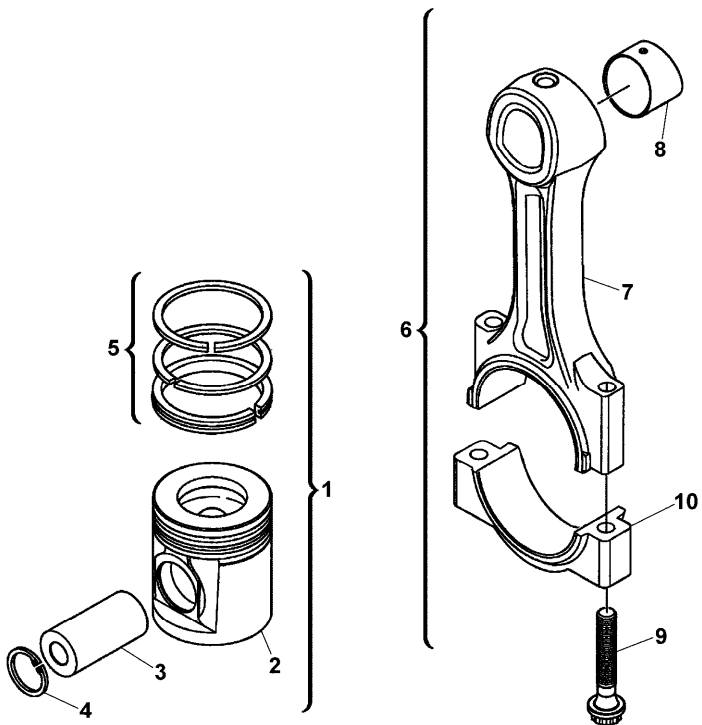
CP03\000032.901.png

A-05
05



A0505

Pistons and connecting rods



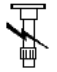
		Inglese	
6	4115C361	➡ U056075 t A	4 Conrod
6	4115C362	➡ U056075 t B	4 Conrod
6	4115C363	➡ U056075 t C	4 Conrod
6	4115C364	➡ U056075 t D	4 Conrod
6	4115C365	➡ U056075 t E	4 Conrod
6	4115C366	➡ U056075 t F	4 Conrod
7	!	6	1 Conrod
8	3112A005	➡ Ref.n.6 !	1 Bush
9	3212V003	T-A 14:0 !	2 Screw
9	T400001	➡ U056074 t !	2 Screw
10		➡ U056075 t !	1 Guard
		➡ Ref.n.6	

- ! This is a component of an assembly
- ➡ From serial or engine number
- ➡ Up to serial or engine number
- ➡ Not serviced, order
- T-A Replacement

Engine

T series Restyling (2011-) - CP03 - T 90 f-m-c

A-05
05

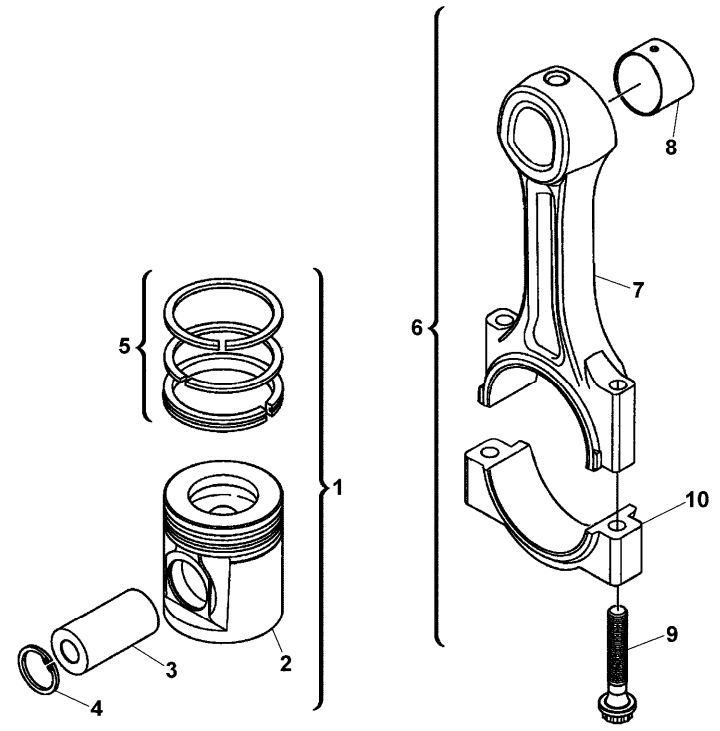


A0505

Pistons and connecting rods

CP03\000032.901.png

- A Red
- B Orange
- C White
- D Green
- E Purple
- F Blue



Engine

T series Restyling (2011-) - CP03 - T 90 f-m-c

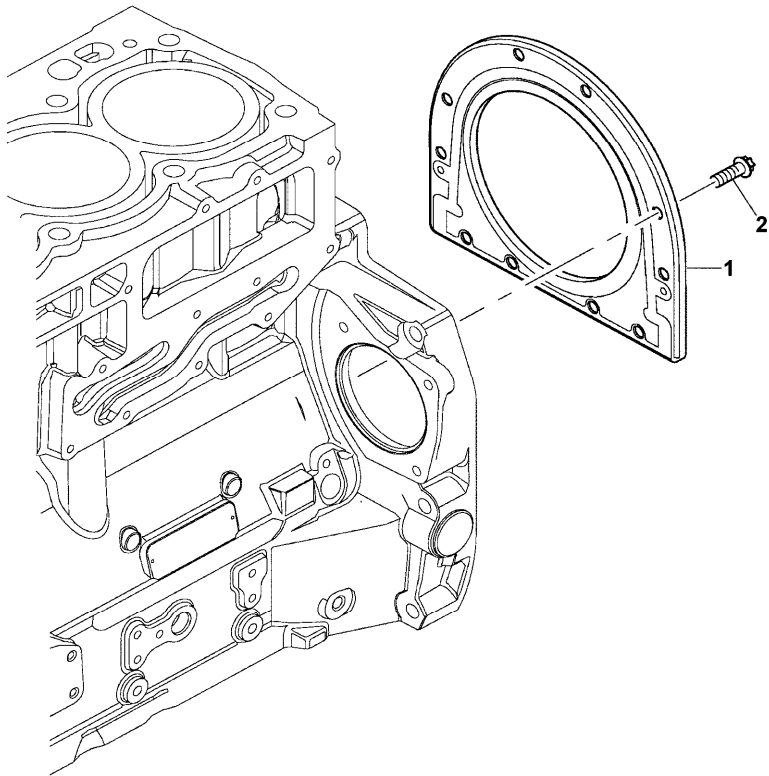
CP03\000015074.png

A-05
06



A0506

End cover



1 2418F704 T-A 9:0

2 3211C002

T-A Replacement

Inglese

1 Housing

10 Screw

Engine

T series Restyling (2011-) - CP03 - T 90 f-m-c

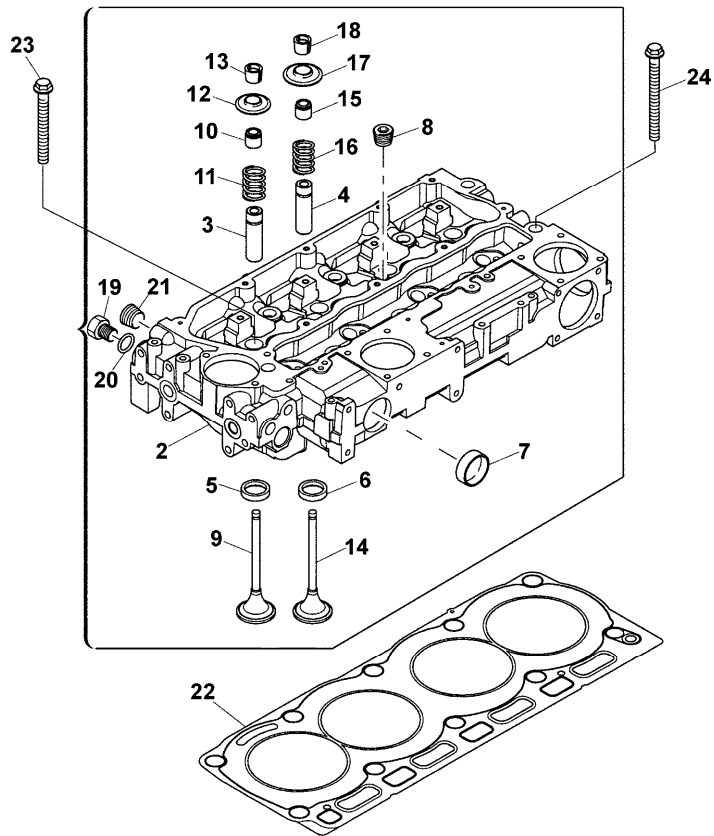
CP03\000020527.png

A-05
07



A0507

Cylinder head



			Inglese
1	ZZ80279		1 Cylinder head
2		! 1	1 Kit
		➡ Ref.n.1	
3	3313A012	! 1	4 Insert
4	3313A012	! 1	4 Insert
5	3314A221	! 1	4 Insert
6	3314A231	! 1	4 Insert
7	32416117	! 1	2 Plug
8	0650588	! 1	4 Plug
9	3142H101	! 1	4 Valve
10	2418M519	! 1	4 Ring
		A	
11	3174A031	! 1	4 Spring
		● T417479(4)	
12	3342A021	! 1	4 Coperch.
13	2714A002	! 1	8 Collar
14	3142A171	! 1	4 Valve
15	2418M517	! 1	4 Ring
		B	
16	3174A031	! 1	4 Spring
		● T417479(4)	
17	3342A021	! 1	4 Coperch.
18	2714A002	! 1	8 Collar
19	3278A006	! 1	1 Plug
20	2415H003	! 1	1 Ring

Engine

A-05
07

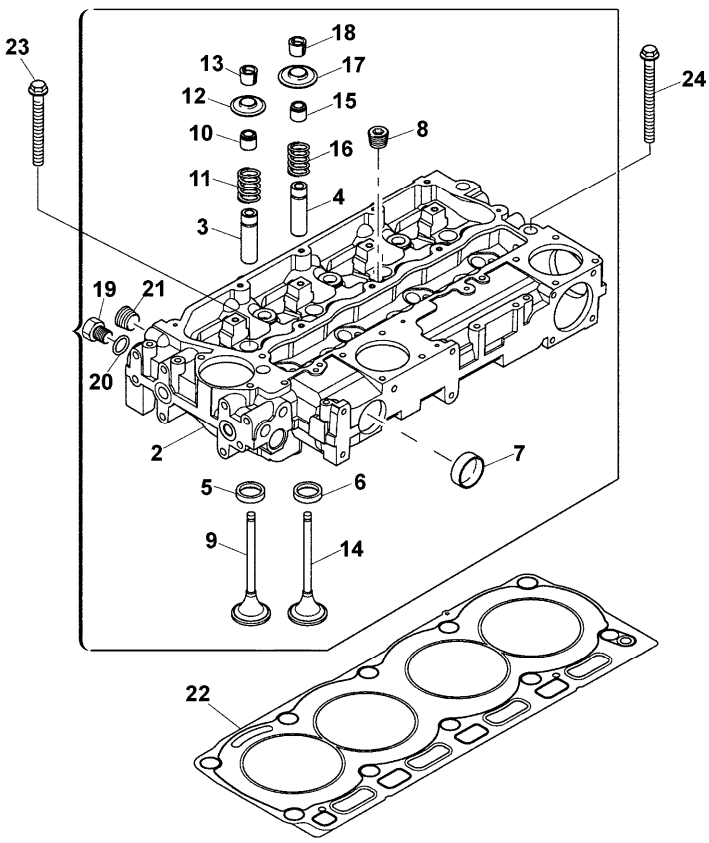
Cylinder head

T series Restyling (2011-) - CP03 - T 90 f-m-c



A0507

CP03\000020527.png



Inglese

- 21 2431154 ! 1
- 22 3681E051
- 23 3218A011
- 24 3218A012
- ! This is a component of an assembly
- 🔧 Not serviced, order
- ⬇️ Replacement
- A Green
- B Brown

- 2 Plug
- 1 Gasket
- 7 Screw
- 3 Screw

Engine

T series Restyling (2011-) - CP03 - T 90 f-m-c

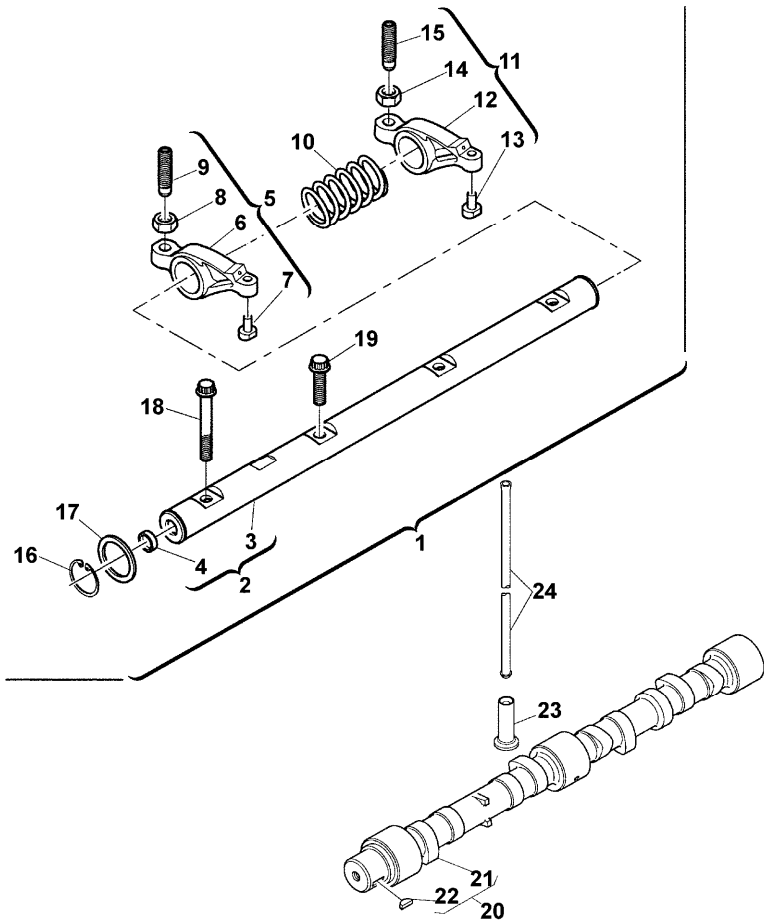
CP03\000032.902.png

A-05
08



A0508

Rocker shaft



		Inglese	
1	4115R613		1 Axle
2	4115R703	! 1	1 Shaft
		T-A 4:0	
3		! 2	1 Axle
		➡ Ref.n.2	
4	2485A104	! 2	2 Plug
5	4115R319	! 1	4 Lever
6		! 5	1 Rocker
		➡ Ref.n.5	
7		! 5	1 Pad
		➡ Ref.n.5	
8	3331A006	! 5	1 Nut
9	3211C004	! 5	1 Screw
10	3174A015	! 1	3 Spring
		T-A 4:0	
11	4115R318	! 1	4 Lever
12		! 11	1 Rocker
		➡ Ref.n.11	
13		! 11	1 Pad
		➡ Ref.n.11	
14	3331A006	! 11	1 Nut
15	3211C004	! 11	1 Screw
16	2722A022	! 1	2 Ring
17	2134A502	! 1	2 Washer
18	2316A901	! 1	1 Screw

Engine

T series Restyling (2011-) - CP03 - T 90 f-m-c

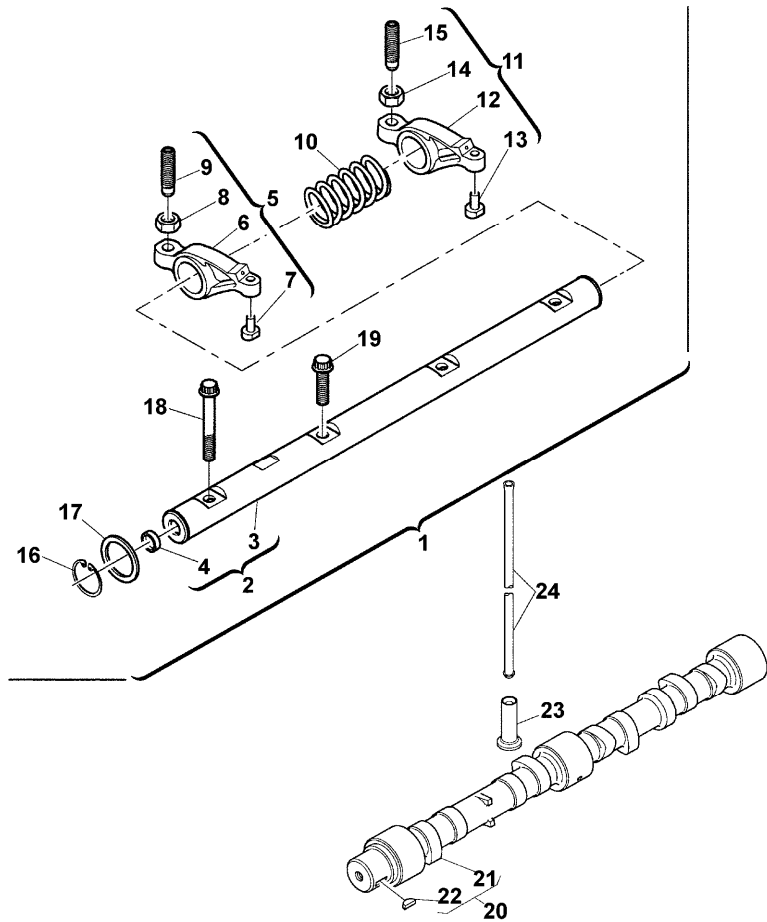
CP03\000032.902.png

A-05
08



A0508

Rocker shaft



Inglese

19	2316A902	!	1	3	Screw
20	4112K075	●	4112K077(1)	1	Shaft
21		!	20	1	Shaft
		➡	Ref.n.20		
22	0500012	!	20	1	Key
23	3142U061			8	Tappet
24	3142V011			8	Rod

- ! This is a component of an assembly
- ➡ Not serviced, order
- Replacement
- T-A Replacement

Engine

T series Restyling (2011-) - CP03 - T 90 f-m-c

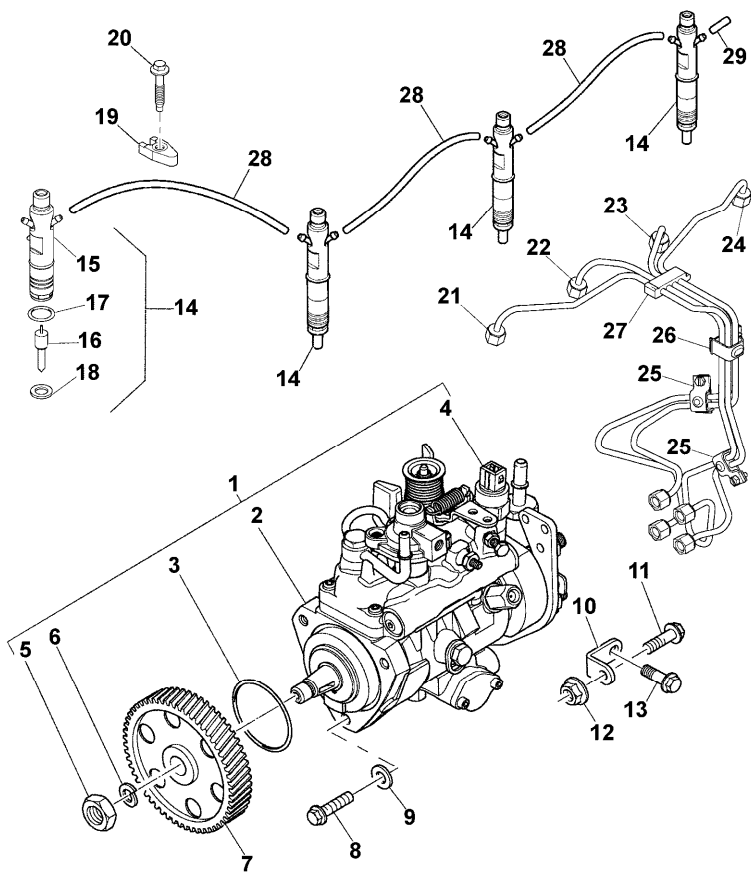
A-05
09



A0509

Fuel injection equipment (diesel)

CP03\000032.917.png



		Inglese
1	2644C342/22	1 Pump
2	!	1 Pump
	➡ Ref.n.1	
3	26420318	1 Ring
	T-A 4:50	
4	26420469	1 Solenoid
	(X) 1.2.5.	
	T-A 0:25	
5	2318A108	1 Nut
6	K134AF01	1 Washer
7	3117L261	1 Gear
8	2314H004	3 Screw
9	2411D008	3 Washer
10	3641A007	1 Stirrup
11	2314H003	1 Screw
12	2318A603	1 Nut
13	2314J002	1 Screw
14	2645K025	4 Nozzle
15	!	1 Support
	➡ Ref.n.14	
16	!	1 Nozzle
	➡ Ref.n.14	
17	26460064	1 Ring
18	L311FF02	1 Washer
19	3751A241	4 Clamp

Engine

T series Restyling (2011-) - CP03 - T 90 f-m-c

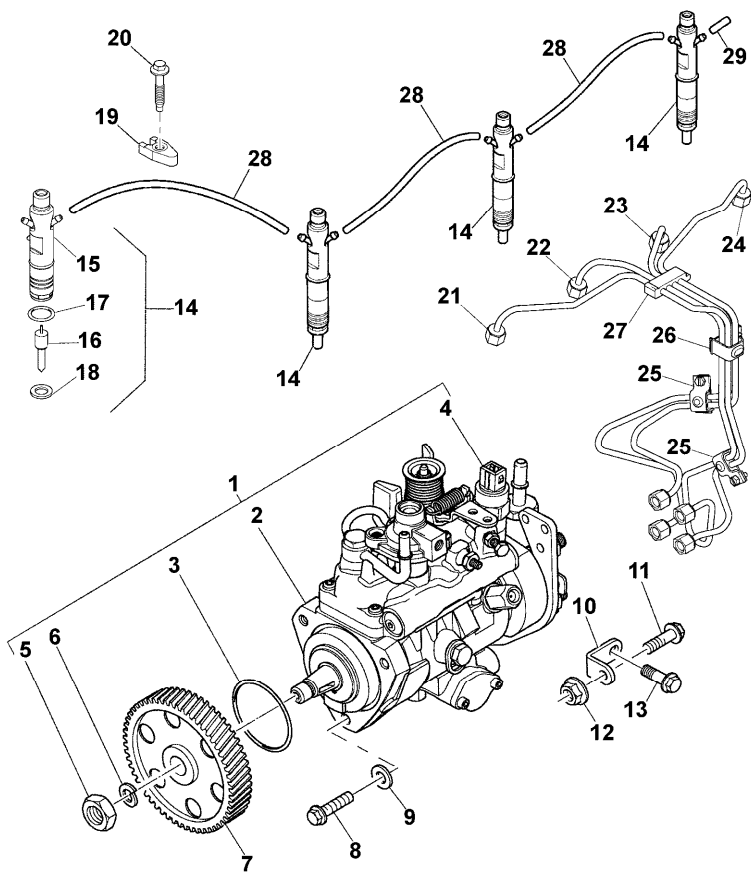
A-05
09



A0509

Fuel injection equipment (diesel)

CP03\000032.917.png



Inglese

- | | | | |
|----|----------|---|-------|
| 20 | 2314W009 | 4 | Screw |
| 21 | 3525A101 | 1 | Pipe |
| 22 | 3525A102 | 1 | Pipe |
| 23 | 3525A103 | 1 | Pipe |
| 24 | 3525A104 | 1 | Pipe |
| 25 | 2481Y011 | 2 | Clip |
| 26 | 2481Y012 | 1 | Clip |
| 27 | 2646E019 | 1 | Clip |
| 28 | 2646F501 | 3 | Pipe |
| 29 | 2646E501 | 1 | Cap |

! This is a component of an assembly

🛠 Not serviced, order

(X) Qty per tractors sold (aa.bbb.ccc.ddd) (aa) for 1,(bbb) 2-10 (ccc) 11-25 (ddd) 26-50

T-A Replacement

Engine

T series Restyling (2011-) - CP03 - T 90 f-m-c

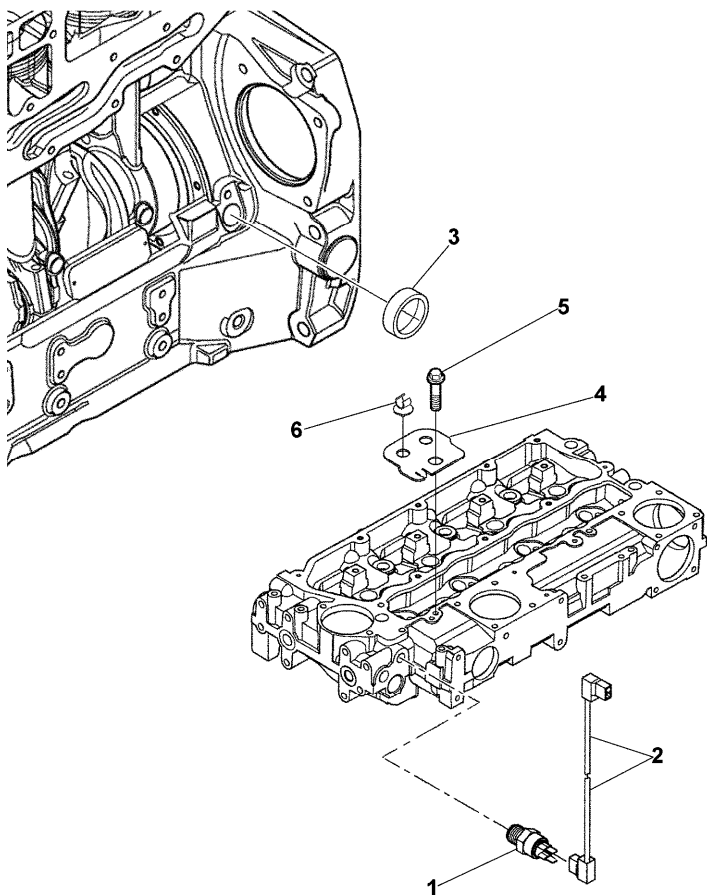
CP03\000032.904.png

A-05
10



A0510

Sensor pickup,start and stop control



1 2848A123 A
T-A 0:50

2 3161C017

3 2485A109

4 3653A017

5 2314H002

6 2481D456

T-A Replacement

A Engine water temperature

Inglese

1 Sensor

1 Cable

1 Plug

1 Stirrup

1 Screw

1 Clip

Engine

T series Restyling (2011-) - CP03 - T 90 f-m-c

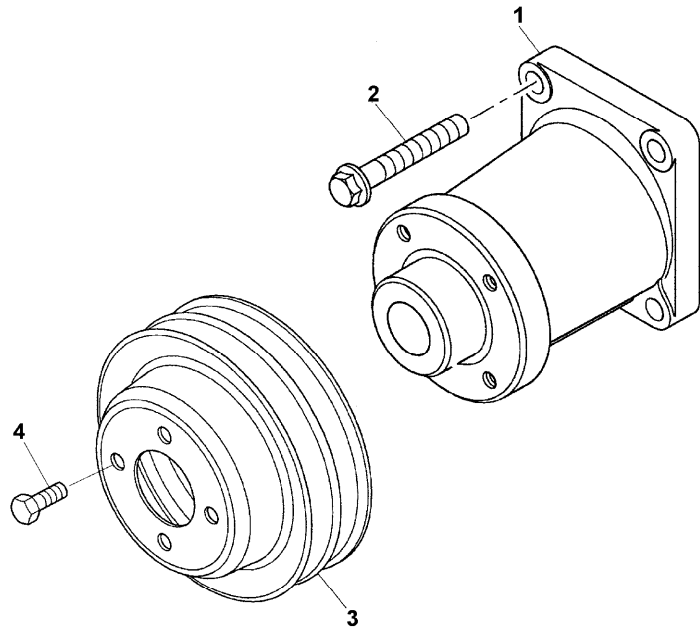
CP03\000015079.png

A-05
11



A0511

Fan-type pulley



- 1 4113K005 T-A 1:75
 - 2 2314J005
 - 3 3115C161 T-A 1:50
 - 4 2314C044
- T-A Replacement

Inglese

- 1 Housing
- 4 Screw
- 1 Pulley
- 4 Screw

Engine

T series Restyling (2011-) - CP03 - T 90 f-m-c

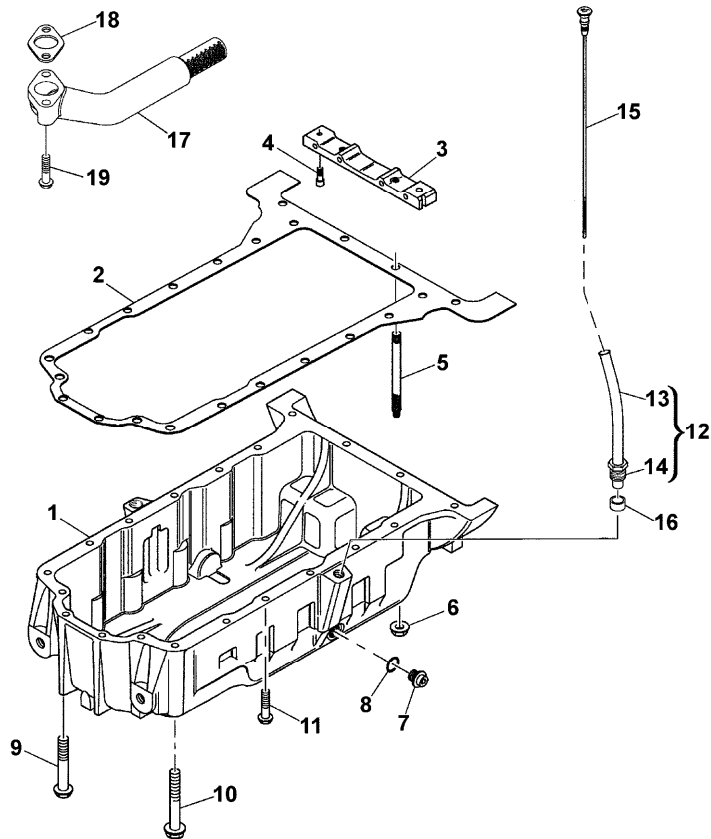
CP03\000032.905.png

A-05
12



A0512

Lubricating oil sump



- | | | | | |
|----|----------|-----|-------------|--|
| 1 | 3717E272 | | | |
| 2 | 3681K036 | (X) | 1.2.5. | |
| | | T-A | 1:50 | |
| 3 | 3627P041 | T-A | 1:50 | |
| 4 | 2311D039 | | | |
| 5 | 3211P013 | | | |
| 6 | 2318A603 | | | |
| 7 | 32186405 | T-A | 0:25 | |
| 8 | 2415715 | T-A | 0:25 | |
| 9 | 2314H023 | | | |
| 10 | 2314H022 | ● | 2314H052(1) | |
| 11 | 2314H015 | | | |
| 12 | 3577A125 | T-A | 0:25 | |
| 13 | | ! | 12 | |
| | | ▶ | Ref.n.12 | |
| 14 | 3353D005 | ! | 12 | |
| 15 | 3178C081 | T-A | 0:25 | |
| 16 | 33812116 | | | |
| 17 | 3765A091 | T-A | 1:75 | |
| 18 | 36832137 | T-A | 1:75 | |
| 19 | 2314H006 | | | |

Inglese

- | | |
|----|------------|
| 1 | Crankcase |
| 1 | Gasket |
| 1 | Crosspiece |
| 2 | Screw |
| 2 | Stud |
| 2 | Nut |
| 1 | Plug |
| 1 | Ring |
| 5 | Screw |
| 1 | Screw |
| 12 | Screw |
| 1 | Pipe |
| 1 | Pipe |
| 1 | Nut |
| 1 | Rod |
| 1 | Olive |
| 1 | Pipe |
| 1 | Gasket |
| 2 | Screw |

! This is a component of an assembly

▶ Not serviced, order

● Replacement

(X) Qty per tractors sold (aa.bbb.ccc.ddd) (aa) for 1,(bbb) 2-10 (ccc) 11-25 (ddd) 26-50

T-A Replacement

Engine

T series Restyling (2011-) - CP03 - T 90 f-m-c

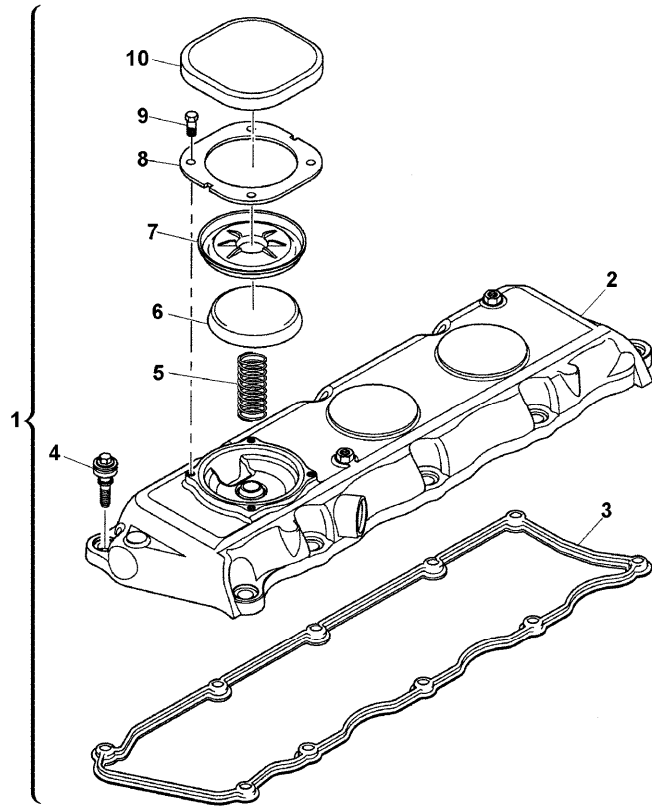
CP03\000020533.png

**A-05
13**



A0513

Cylinder head cover



		Inglese	
1	4142X325	● T417478(1)	1 Coperch.
2		! 1	1 Cover
3	3681A055	▣ Ref.n.1	1 Gasket
		(X) 1.2.5.	
		T-A 1:0	
4	2161A013	! 1	10 Screw
5	3174A017	! 1	1 Spring
		T-A 0:25	
6	3788A002	! 1	1 Cap
		T-A 0:25	
7	3789A001	! 1	1 Diaphragm
		T-A 0:25	
8	3615A009	! 1	1 Plate
		T-A 0:25	
9	2151A001	! 1	4 Screw
10	3788A003	! 1	1 Cap
		T-A 0:25	
	!	This is a component of an assembly	
	▣	Not serviced, order	
	●	Replacement	
	(X)	Qty per tractors sold (aa.bbb.ccc.ddd) (aa) for 1,(bbb) 2-10 (ccc) 11-25 (ddd) 26-50	
	T-A	Replacement	

Engine

T series Restyling (2011-) - CP03 - T 90 f-m-c

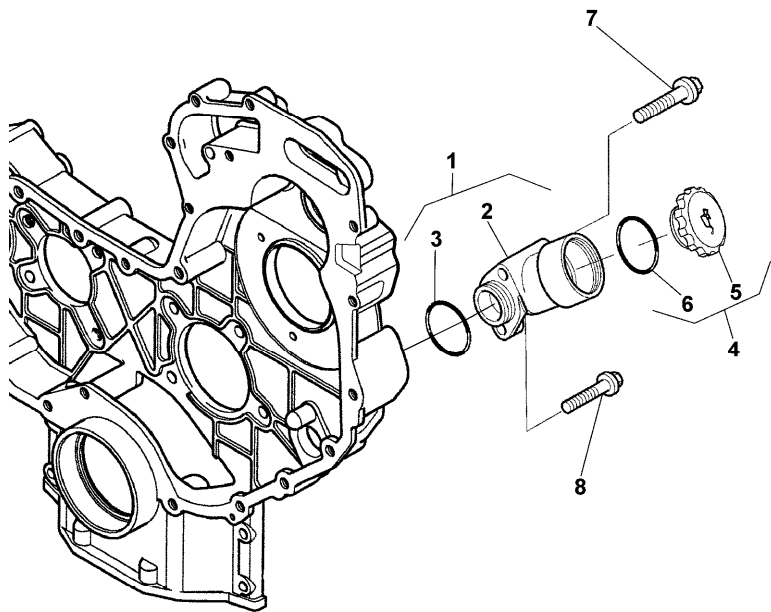
CP03\000032.907.png

**A-05
14**



A0514

Filler



				Inglese
1	4134C072	T-A 0:25		1 Filler
2		! 1		1 Body
		➡ Ref.n.1		
3	2415H540	! 1		1 Ring
		T-A 0:25		
4	4142X098	! 1		1 Plug
		(X) 1.3.5.1		
		T-A 0:25		
5		! 4		1 Plug
		➡ Ref.n.4		
6	2415633	! 4		1 O ring
		T-A 0:25		
7	2314K161			1 Screw
8	2314H005			1 Screw
		! This is a component of an assembly		
		➡ Not serviced, order		
		(X) Qty per tractors sold (aa.bbb.ccc.ddd) (aa) for 1,(bbb) 2-10 (ccc) 11-25 (ddd) 26-50		
		T-A Replacement		

Engine

T series Restyling (2011-) - CP03 - T 90 f-m-c

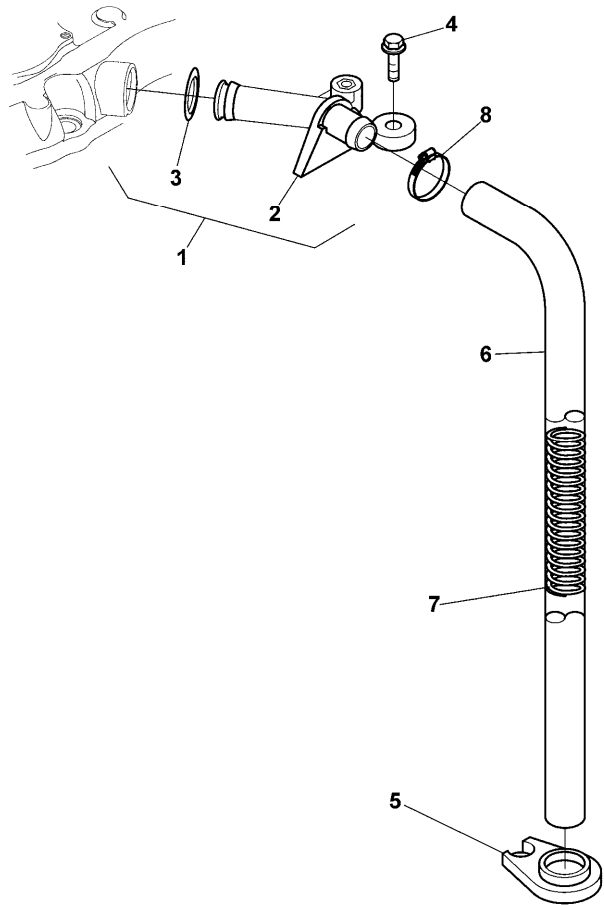
CP03\000032.918.png

A-05
15



A0515

Breather



- 1 4133J011
 - 2 ! 1
 - 3 2415A068 ! 1
 - 4 2314F005
 - 5 36241123 T-A 0:25
 - 6 33872632 T-A 0:25
 - 7 3175P003
 - 8 2481877
- ! This is a component of an assembly
 Not serviced, order
 T-A Replacement

Inglese

- 1 Pipe
- 1 Pipe
- 1 Ring
- 2 Screw
- 1 Support
- 1 Pipe
- 1 Spring
- 1 Clamp

Engine

T series Restyling (2011-) - CP03 - T 90 f-m-c

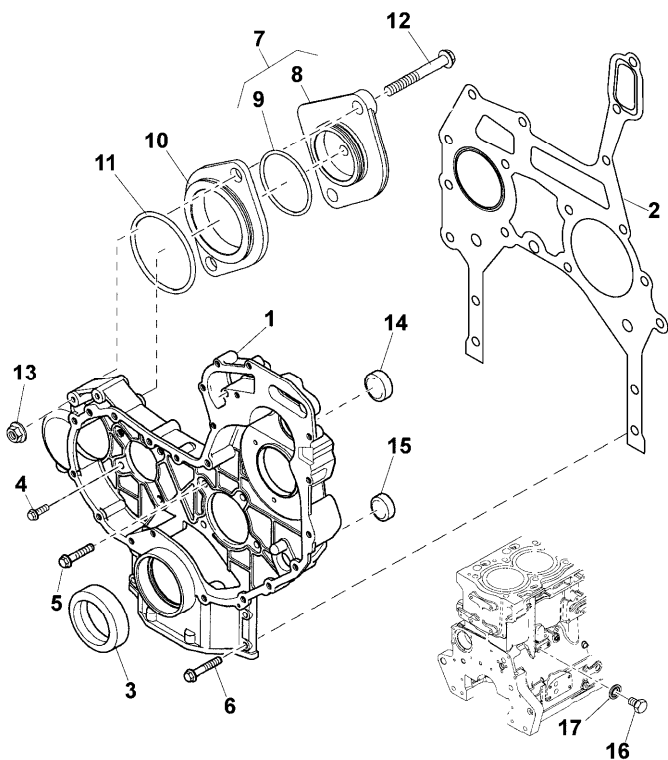
CP03\000032.908.png

A-05
16



A0516

Gasket sets



		Inglese
1	3716C581	1 Housing
2	3681P053	1 Gasket
3	2418F437	1 Seal
4	2314H003	6 Screw
5	2314H006	2 Screw
6	2314H034	4 Screw
7	4148K012	1 Plate
8	! 7	1 Plate
	➡ Ref.n.7	
9	2415H515	1 Ring
10	3617a044	1 Disc
11	2415H516	1 O ring
12	2314J014	2 Screw
13	2318A604	2 Nut
14	2485A124	1 Plug
15	2485A118	1 Plug
16	2314C049	1 Screw
17	2415D053	1 Washer
!	This is a component of an assembly	
➡	Not serviced, order	
T-A	Replacement	

Engine

T series Restyling (2011-) - CP03 - T 90 f-m-c

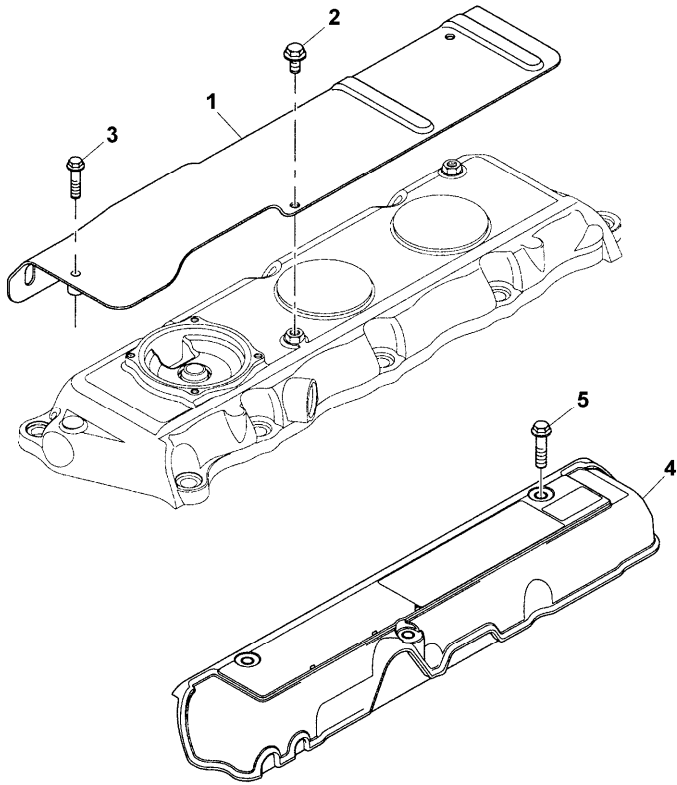
CP03\000020537.png

A-05
17



A0517

Cylinder head cover



- 1 3812A026 T-A 0:25
 - 2 2314F001
 - 3 2314F006
 - 4 3788N003
 - 5 2314F003
- T-A Replacement

Inglese

- 1 Heatshield
- 2 Screw
- 1 Screw
- 1 Cover
- 3 Screw

Engine

T series Restyling (2011-) - CP03 - T 90 f-m-c

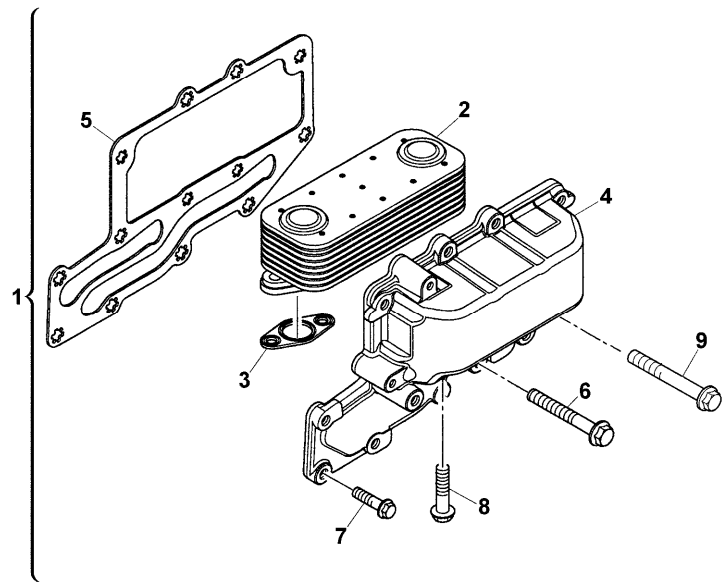
CP03\000015031.png

A-05
18



A0518

Oil radiator



1	4134W025				
2	2486A217	!	1		
			T-A	1:0	
3	3685A025	!	1		
			T-A	1:0	
4		!	1		
		➡	Ref.n.1		
5	3685A033	!	1		
6	2314K161	!	1		
7	2314H004	!	1		
8	2314H006	!	1		
9	2314H004	!	1		
	!	This is a component of an assembly			
	➡	Not serviced, order			
	T-A	Replacement			

Inglese

1	Radiator
1	Radiator
2	Ring
1	Cooler
1	Gasket
3	Screw
2	Screw
4	Screw
8	Screw



Suggest:

For more complete manuals. Please go to the home page.

<https://www.ebooklibonline.com>

If the above button click is invalid. Please download this document first, and then click the above link to download the complete manual.

Thank you so much for reading

Engine

T series Restyling (2011-) - CP03 - T 90 f-m-c

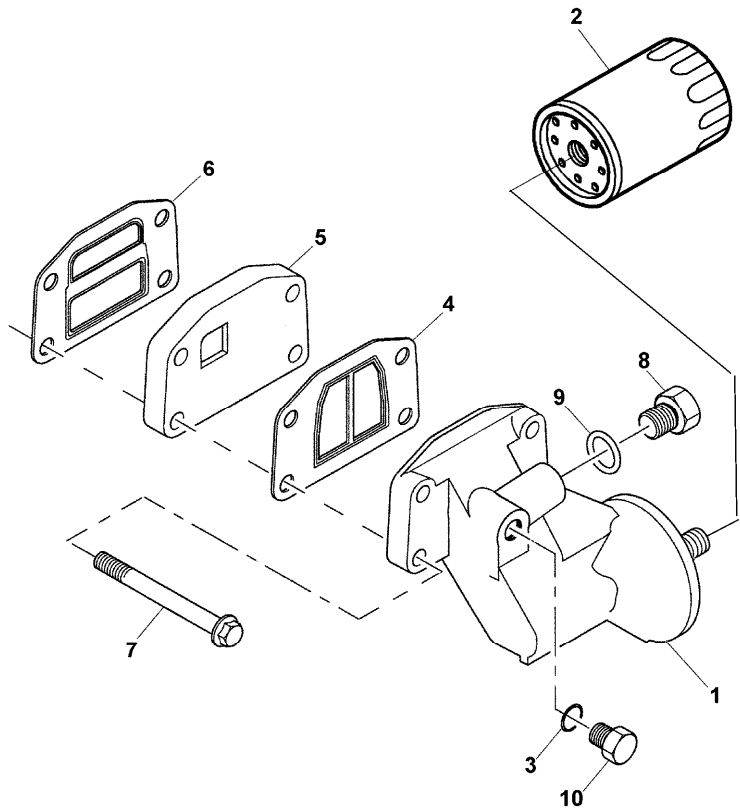
CP03\000032.910.png

**A-05
19**



A0519

Lubricating oil filter



		Inglese
1	3773A071	1 Head
2	⊕ A-05 20 4	1 Filter
3	2415H009	1 O ring
4	3688A041 (X) 1.2.5. T-A 0:50	1 Ring
5	3773A081 T-A 0:50	1 Adaptor
6	3688A039 (X) 1.2.5. T-A 0:50	1 Gasket
7	2314H038	4 Screw
8	3278A004	1 Plug
9	2415H002	1 Ring
10	3278A007	1 Plug
⊕ See page - reference number		
(X) Qty per tractors sold (aa.bbb.ccc.ddd) (aa) for 1,(bbb) 2-10 (ccc) 11-25 (ddd) 26-50		
T-A Replacement		

Engine

T series Restyling (2011-) - CP03 - T 90 f-m-c

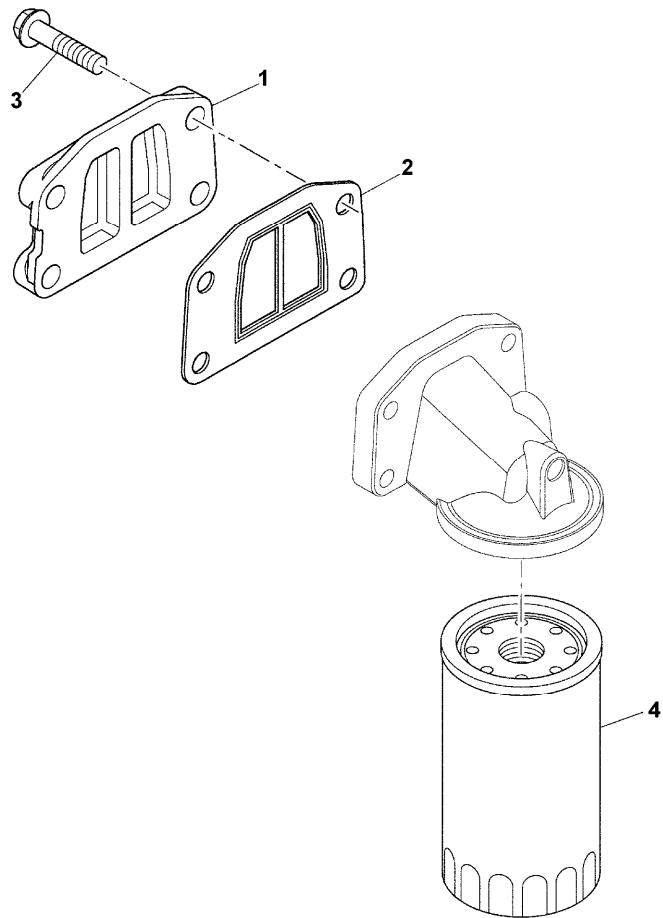
CP03\000015082.png

A-05
20



A0520

Closing plate



- 1 3753A071
- 2 3688A041 (X) 1.2.5.
T-A 0:50
- 3 2314H034
- 4 701899A1 (X) 1.2.5.
T-A 0:25

Inglese

- 1 Coperch.
- 1 Ring
- 4 Screw
- 1 Filter

(X) Qty per tractors sold (aa.bbb.ccc.ddd) (aa) for 1,(bbb) 2-10 (ccc) 11-25 (ddd) 26-50
T-A Replacement

<https://www.ebooklibonline.com>

Hello dear friend!

Thank you very much for reading.

Enter the link into your browser.

The full manual is available for immediate download.

<https://www.ebooklibonline.com>