

Engine

MTX Tier3 Restyling (2009-) - RPD1 - 150

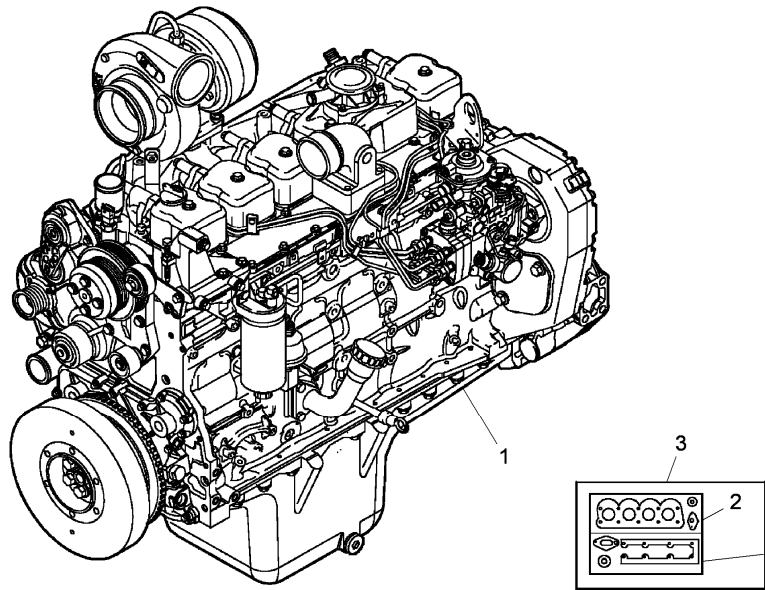
RPD1\00007377.png

A-05
01



A0501

Engine assembly



		Inglese	
1	4221086M91	● 4221086M93(1)	1 Engine
		Iveco 104 kw	
1	6512752M91	● N.L.S.(1)	1 Engine
		Fpt nef 104 kw	
		A	
2	706270A1	! 3	1 Kit
		● 706271A1(1)	
3	706271A1		1 Gasket
!	This is a component of an assembly		
●	Replacement		
A	Flexibility engine		

Engine

MTX Tier3 Restyling (2009-) - RPD1 - 150

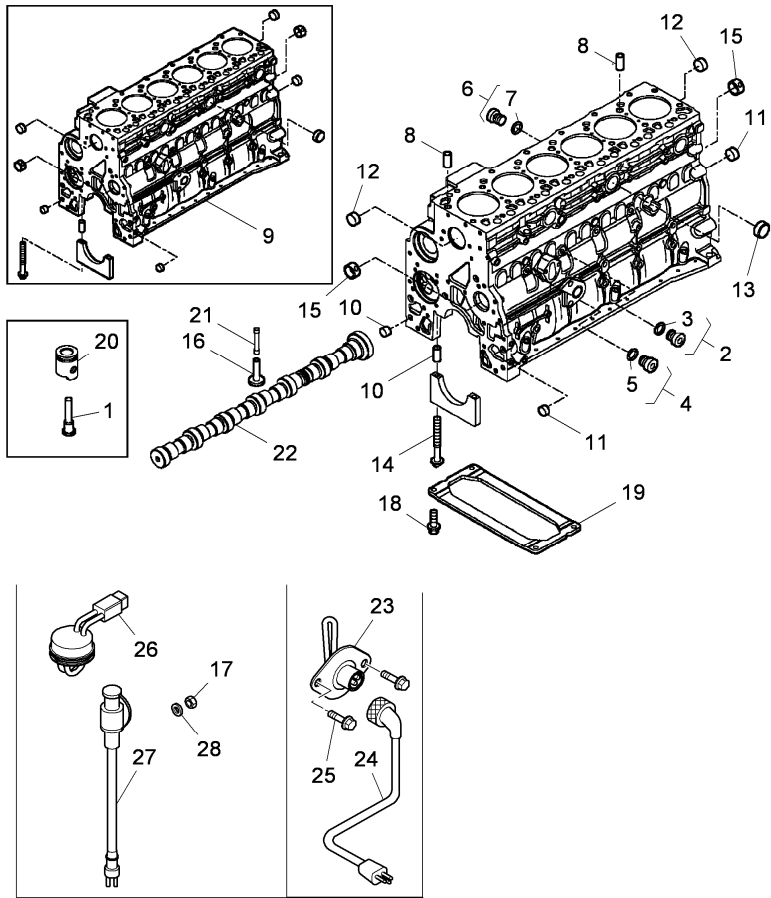
RPD1\00007382.png

A-05
02



A0502

Crankcase



		Inglese
1	3688809M1	6 Splasher
2	3689350M1	3 Plug
3	3688868M1	1 O ring
4	3688822M1	2 Plug
5	3688855M1	1 O ring
6	3688780M1	3 Plug
7	3688781M1	1 O ring
		707405A1(1)
8	3688760M1	2 Dowel pin
9	4218604M1	1 Block
10	3688824M1	14 Dowel pin
		704983A1(14)
11	3688758M1	3 Plug
		17,73x6,35x1,07
12	3688757M1	6 Plug
		58,06x8,25x1,52
13	3688775M1	3 Plug
		35,23x7,94x1,52
14	3688673M1	14 Screw
		M12x120 mm
		704696A1(14)
15	3688759M1	1 Bearing
16	704803A1	12 Register
17	825-1405	1 Nut
		390995X1(1)

B

Engine

MTX Tier3 Restyling (2009-) - RPD1 - 150

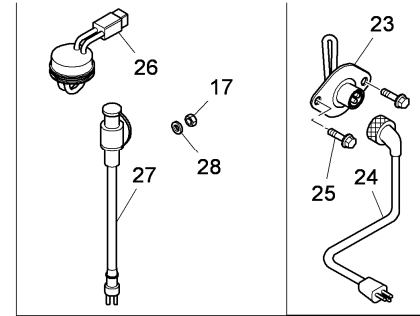
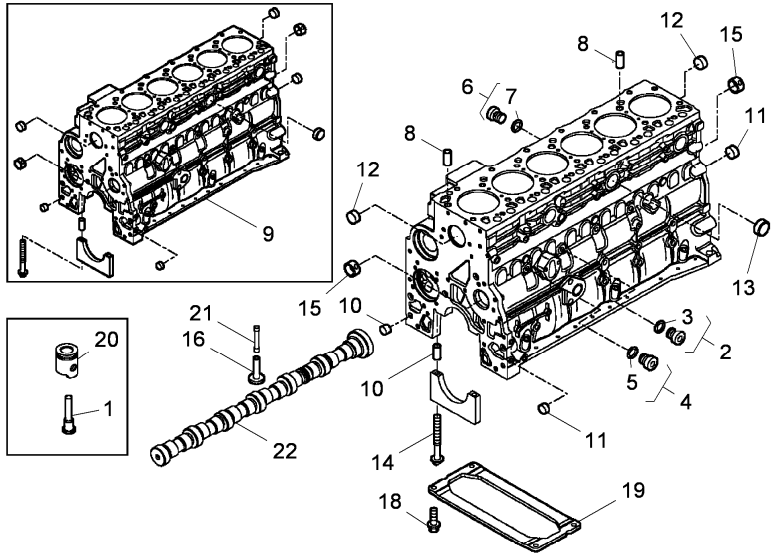
RPD1\00007382.png

A-05
02



A0502

Crankcase



			Inglese
18	704985A1	◄► M10x25 mm	4 Bolt
19	705218A1		1 Plate
20		◁▷ A-05 11 20	6 Piston
21		◁▷ A-05 09 2	12 Rod
22		◁▷ A-05 14 5	1 Camshaft
23	706388A1	A	1 Heater
24	J905113	A	1 Cable
25	3009193X1	◄► M8x20	2 Screw
		A	
26	706389A1	B	1 Heater
27	313126A2	● 314722A1(1), 314723A1(1)	1 Cable
		B	
28	893-16005	B	2 Washer
! This is a component of an assembly			
◁▷ See page - reference number			
◄► Length			
● Replacement			
A For market "n.a.o."			
B Excluded "n.a.o." market			

<https://www.ebooklibonline.com>

Hello dear friend!

Thank you very much for reading.

Enter the link into your browser.

The full manual is available for immediate download.

<https://www.ebooklibonline.com>

Engine

MTX Tier3 Restyling (2009-) - RPD1 - 150

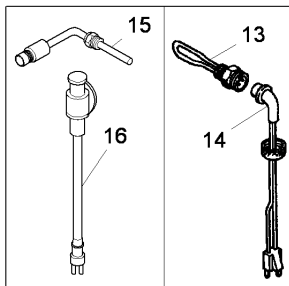
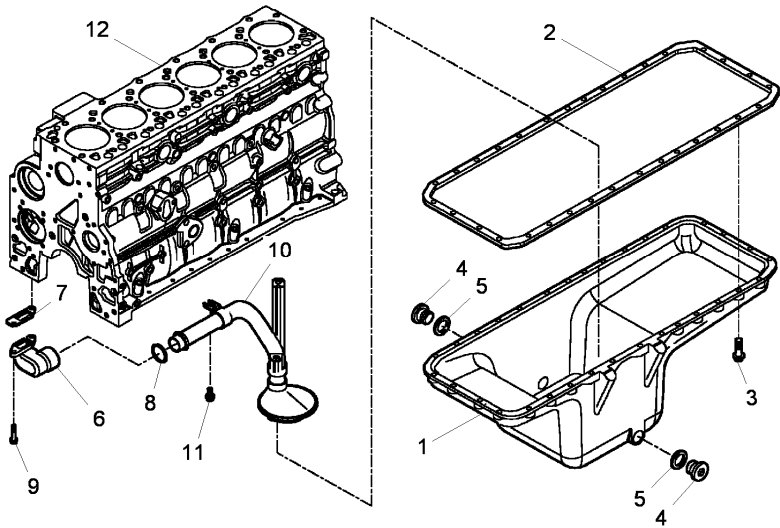
RPD1\00007383.png

A-05
03



A0503

Oil sump



		Inglese
1	705252A1	1 Housing
2	705082A1	1 Gasket
3	3688942M1	32 Screw
	◀ M8x30 mm	
	● 706309A1(32)	
4	3688691M1	2 Plug
5	3688997M1	2 O ring
6	705185A1	1 Insert
7	704957A1	1 Gasket
8	704589A1	1 Gasket
9	710626A1	2 Screw
	◀ M8x25 mm	
10	705298A1	1 Pipe
11	704827A1	1 Screw
	◀ M10x20 mm	
12	◁ A-05 02 9	1 Housing
13	J904380	1 Heater
	A	
	C	
14	J905113	1 Cable
	A	
	C	
15	706391A1	1 Heater
	B	
	C	
16	313126A2	1 Cable
	● 314722A1(1), 314723A1(1)	
	B	
	C	

◁ See page - reference number

◀ Length

● Replacement

Engine

MTX Tier3 Restyling (2009-) - RPD1 - 150

RPD1\00007383.png

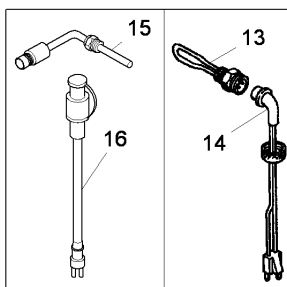
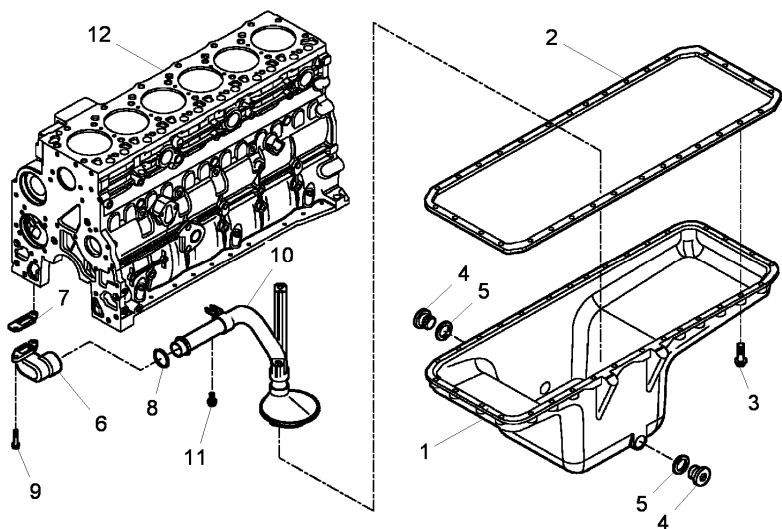
A-05
03



A0503

Oil sump

- A N.a.o. market
- B Excluded "n.a.o." market
- C For markets climi freddi



Engine

MTX Tier3 Restyling (2009-) - RPD1 - 150

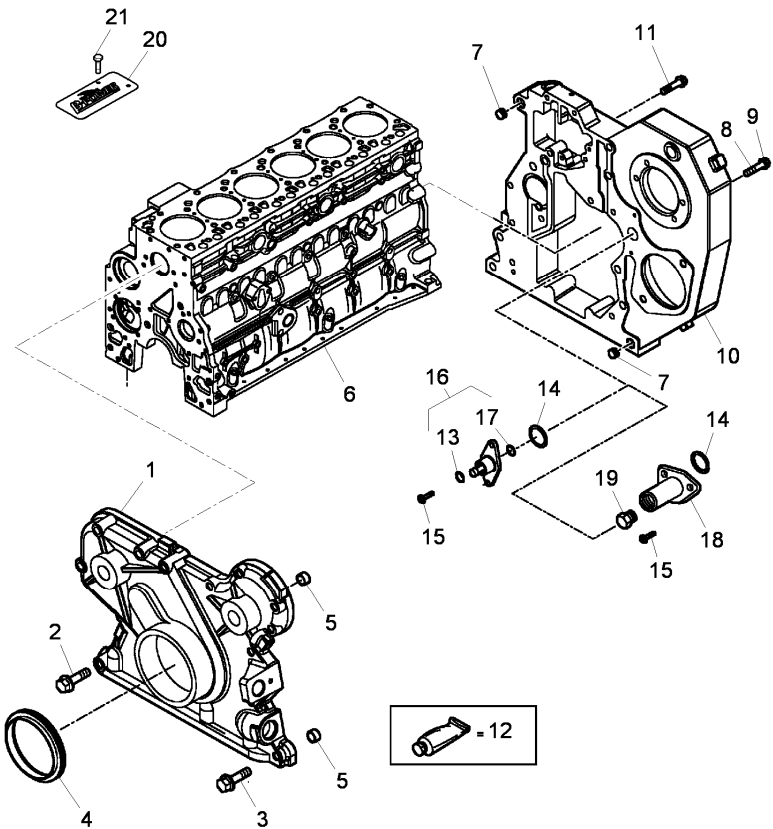
RPD1\00007384.png

A-05
04



A0504

Crankcase covers



		Inglese
1	704913A1	1 Cover
2	705003A1	5 Screw
3	3688853M1	8 Screw
4	3688646M1	1 Ring
5	704693A1	2 Stud
6		1 Crankcase
7	3688824M1	2 Dowel pin
8	705015A1	2 Screw
9	704999A1	1 Screw
10	705224A1	1 Gearbox
11	705013A1	4 Screw
12	3688632M1	999 Adhesive
13	705263A1	1 Ring
14	706276A1	1 Ring
15	704837A1	2 Screw
16	705213A1	1 Plate
17	704587A1	1 Ring
18	4218605M1	1 Nameplate
19	4218606M1	1 Plug
20	707729A1	1 Note plate

Engine

A-05
04

Crankcase covers

MTX Tier3 Restyling (2009-) - RPD1 - 150



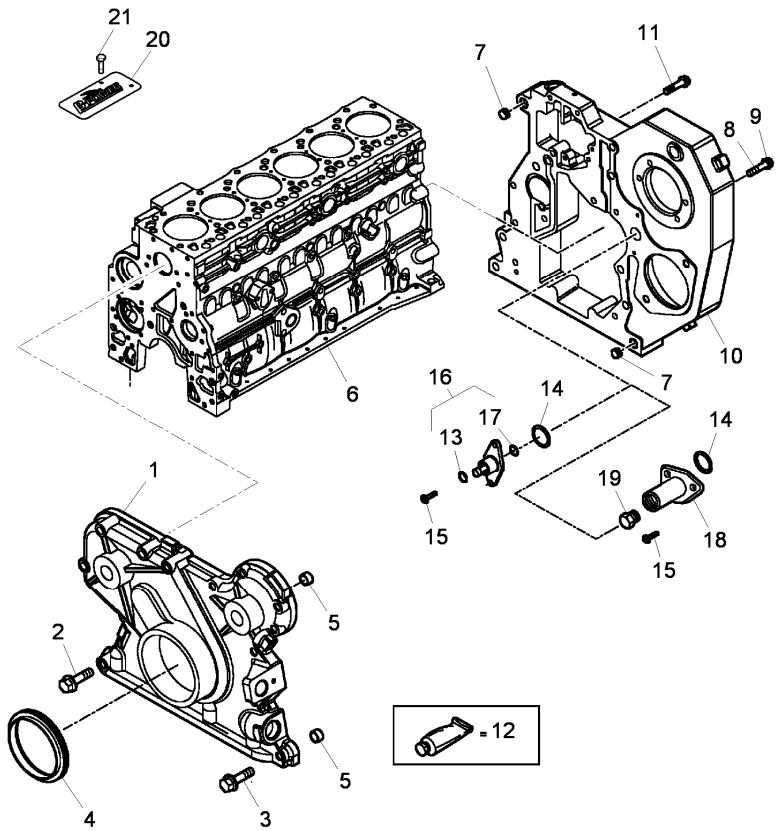
A0504

RPD1\00007384.png

Inglese

21 555-1 ◄► M8x16 mm 2 Bolt

- ! This is a component of an assembly
- ➔ From serial or engine number
- ➔ Up to serial or engine number
- 👁 See page - reference number
- ◄► Length
- Replacement



Engine

MTX Tier3 Restyling (2009-) - RPD1 - 150

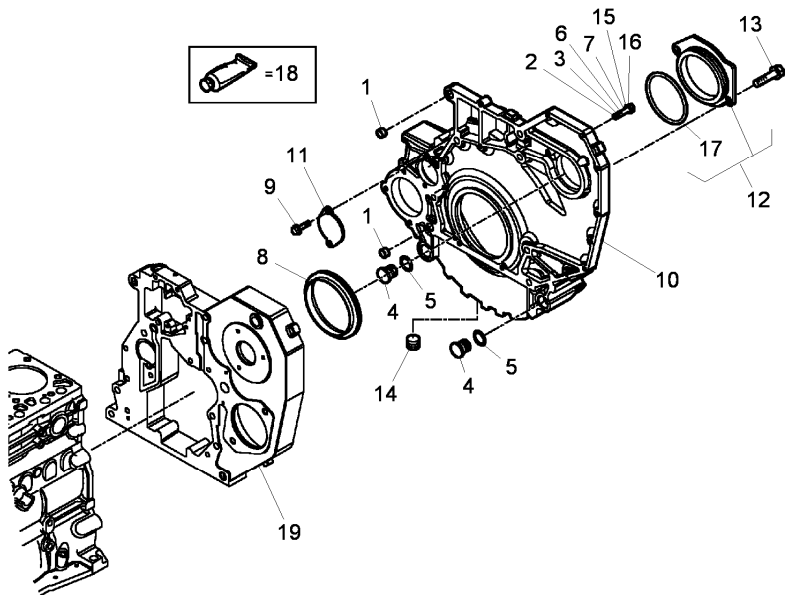
RPD1\00007381.png

A-05
05



A0505

Flywheel housing



		Inglese
1	3688824M1	● 704983A1(2) 2 Screw
2	705020A1	3 Screw
3	712165A1	7 Screw
4	704847A1	2 Plug
5	714949A1	2 Ring
6	705002A1	◄ M12x80 mm 5 Screw
7	705000A1	2 Screw
8	3688647M1	● 6514306M1(1) 1 Ring
		130x155x12,5
9	3688854M1	► M8x17 mm 2 Screw
		● 704997A1(2)
10	4218628M1	1 Crankcase
11	704799A1	1 Coperch.
12	4218629M1	1 Coperch.
13	3688941M1	● 710625A1(2) 2 Screw
14	3688683M1	1 Plug
15	705025A1	1 Screw
16	705265A1	◄ M10x40 mm 2 Screw
17	4218630M1	! 12 1 Ring
18	3688632M1	● 3688632M2(999) 999 Adhesive
19		◁ A-05 04 10 1 Box
! This is a component of an assembly		
◁ See page - reference number		
► Width		
◄ Length		
● Replacement		

Engine

MTX Tier3 Restyling (2009-) - RPD1 - 150

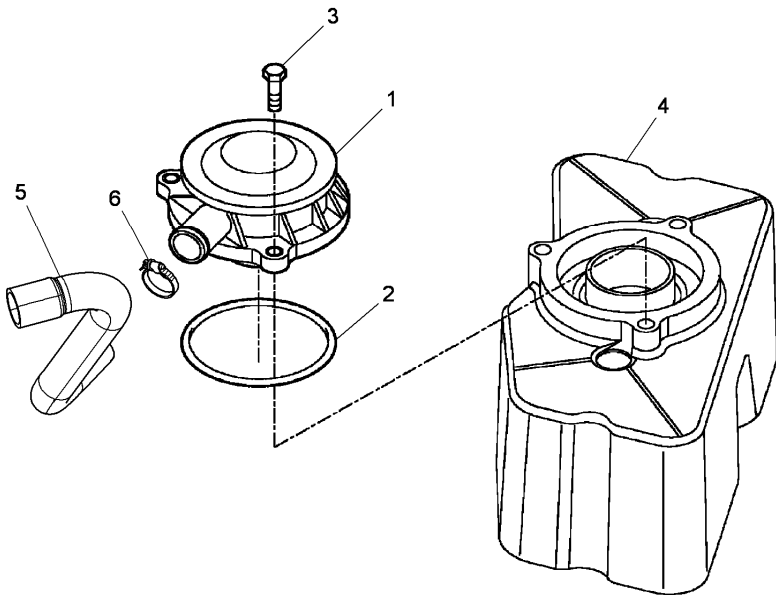
RPD1\00007393.png

A-05
06



A0506

Engine breathers



- 1 707434A1
- 2 707435A1
- 3 368886M1 ● 705021A1(3)
- 4 A-05 08 5
- 5 4208613M1
- 6 3551942M1
- See page - reference number
- Replacement

Inglese

- 1 Valve
- 1 Gasket
- 3 Screw
- 1 Cover
- 1 Pipe
- 2 Clamp

Engine

MTX Tier3 Restyling (2009-) - RPD1 - 150

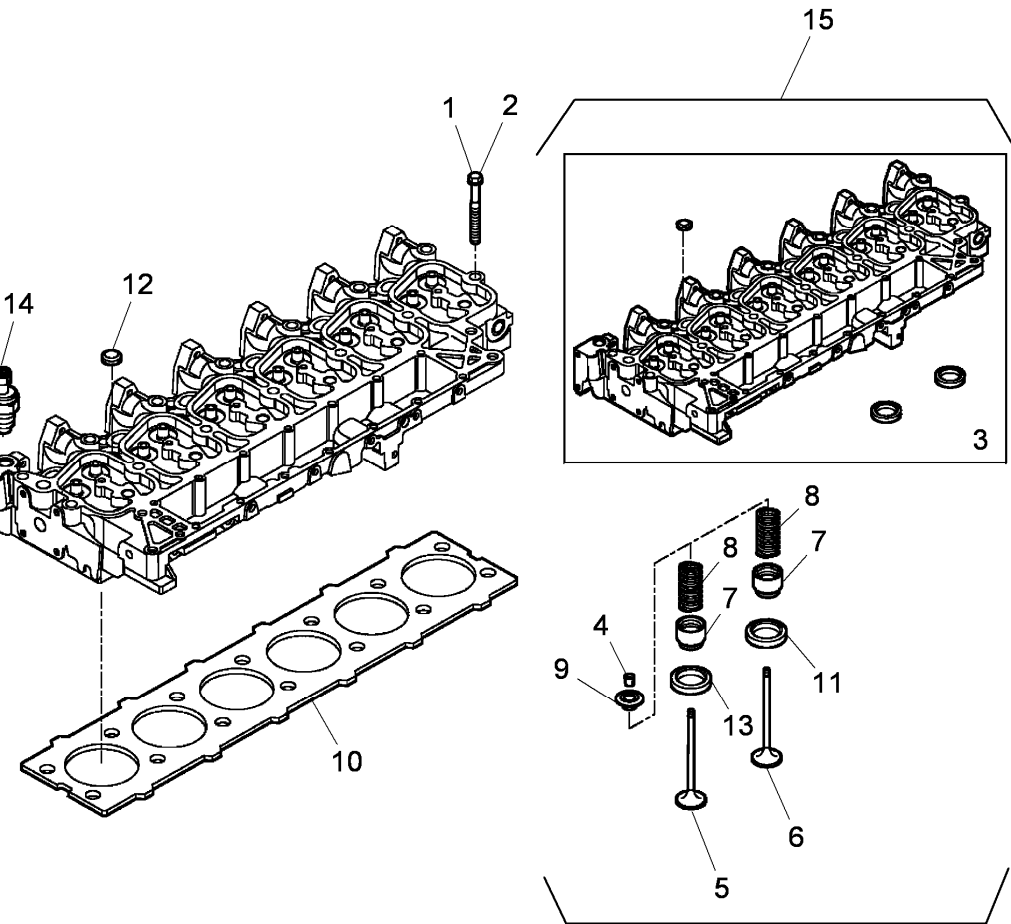
RPD1\00008920.png

A-05
07



A0507

Head cylinder



- 1 707391A1
- 2 707390A1
- 3 704877A1 ! 15
- 4 704804A1 ! 15
- 5 704807A1 ! 15
- 6 704806A1 ! 15
- 7 704836A1 ! 15
- 8 704821A1 ! 15
- 9 704805A1 ! 15
- 10 707379A1
- 11 704922A1 ! 15
- 12 704802A1
- 13 704921A1 ! 15
- 14 4217672M1 A
- 15 6500932M1

! This is a component of an assembly
A Water temperature

Inglese

- 6 Screw
- 14 Screw
- 1 Head
- 24 Kit
- 6 Valve
- 6 Valve
- 12 Cap
- 12 Spring
- 12 Cup
- 1 Gasket
- 6 Valve seat
- 3 Plug
- 6 Valve seat
- 1 Sensor
- 1 Head

Engine

MTX Tier3 Restyling (2009-) - RPD1 - 150

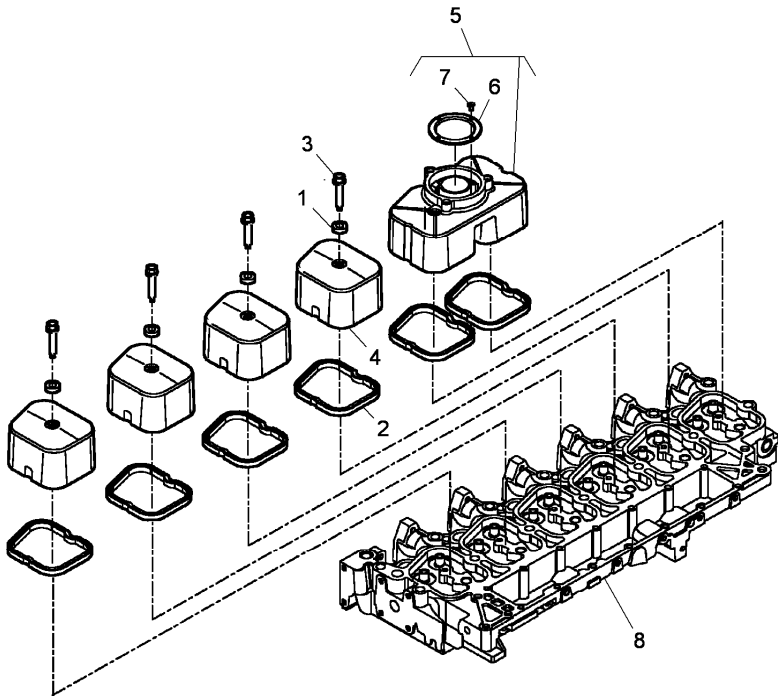
RPD1\00007395.png

A-05
08



A0508

Cylinder head cover



- 1 707403A1
 - 2 705147A1
 - 3 704820A1
 - 4 705188A1
 - 5 704650A1
 - 6 707378A1 ! 5
 - 7 704576A1 ! 5
 - 8 A-05 07 3
- ! This is a component of an assembly
 See page - reference number

Inglese

- 6 Seal
- 6 Gasket
- 6 Screw
- 4 Coperch.
- 1 Coperch.
- 1 Ring
- 4 Screw
- 1 Head

Engine

MTX Tier3 Restyling (2009-) - RPD1 - 150

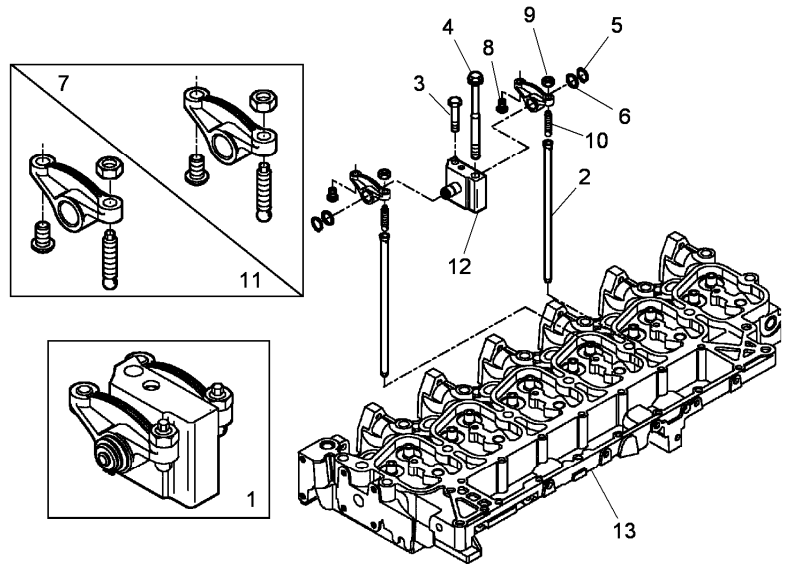
RPD1\00007396.png

A-05
09



A0509

Rocker shaft



Inglese

- | | | | |
|----|-----------|----|---------|
| 1 | 704809A1 | 6 | Shaft |
| 2 | 704841A1 | 12 | Rod |
| 3 | 4208128M1 | 6 | Screw |
| 4 | 704716A1 | 6 | Screw |
| 5 | 704843A1 | 12 | Ring |
| 6 | 704844A1 | 12 | Washer |
| 7 | 704810A1 | 6 | Rocker |
| 8 | 704845A1 | 12 | Pin |
| 9 | 704812A1 | 12 | Nut |
| 10 | 704813A1 | 12 | Screw |
| 11 | 704814A1 | 6 | Rocker |
| 12 | 704816A1 | 6 | Support |
| 13 | | 1 | Head |
- ⦿ A-05 07 3
- ⦿ See page - reference number

Engine

MTX Tier3 Restyling (2009-) - RPD1 - 150

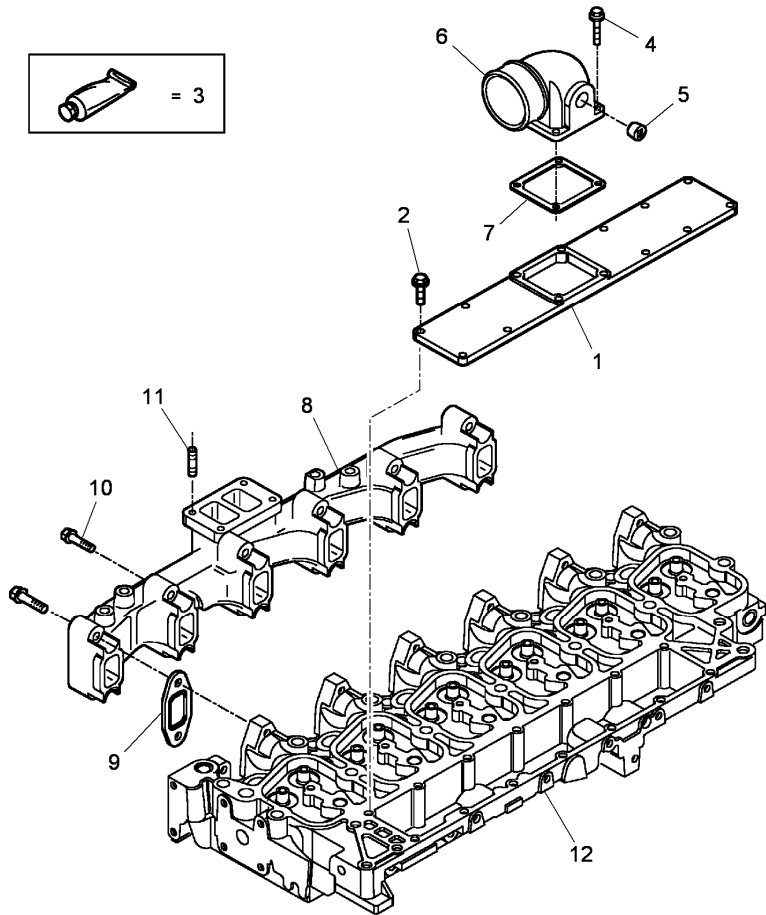
RPD1\00007397.png

A-05
10



A0510

Intake and exhaust manifold



- 1 705187A1
 - 2 3688850M1
 - 3 6500933M1
 - 4 3688777M1
 - 5 704785A1
 - 6 704857A1
 - 7 6500220M1
 - 8 704607A1
 - 9 705273A1
 - 10 3688774M2
 - 11 3688861M1 ● 705008A1(4)
 - 12 ● A-05 07 3
- ◁ See page - reference number
- Replacement

Inglese

- 1 Coperch.
- 10 Screw
- 999 Loctite
- 4 Screw
- 2 Plug
- 1 Intake
- 1 Gasket
- 1 Manifold
- 6 Gasket
- 12 Screw
- 4 Screw
- 1 Head

Engine

MTX Tier3 Restyling (2009-) - RPD1 - 150

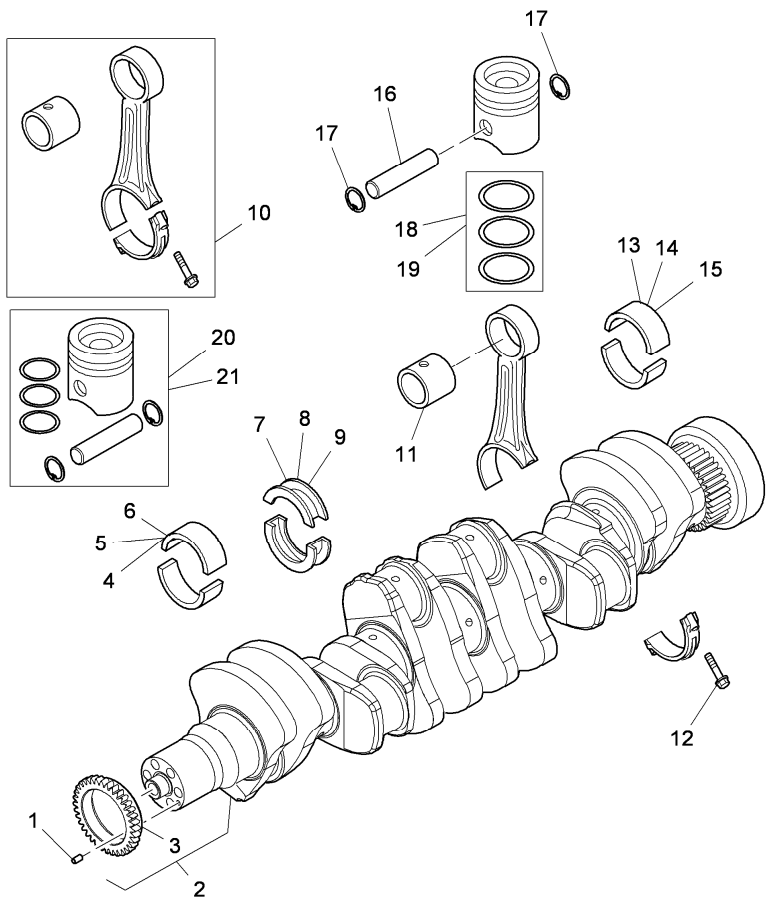
RPD1\00006698.png

A-05
11



A0511

Crank shaft - connecting rods



1	3688851M1	●	704992A1(1)
2	705157A1	●	705157A2(1)
3	704730A1	!	2
4	3688637M1		
5	3688638M1	✕	-0,250 mm
6	3688639M1	✕	-0,500 mm
7	3688634M1		
8	3688635M1	✕	-0,250 mm
9	3688636M1	✕	-0,500 mm
10	3688624M1		
11	3688675M1	!	10
12	3688623M1	!	10
13	3688880M1		
14	4206388M1	✕	-0,250 mm
15	4206389M1	✕	-0,500 mm
16	3688676M1		
17	3689087M1		
18	3688921M1		
19	3688923M92	✕	+0,400 mm
		●	713981A1(6)
20	6506975M1		
21	6506976M1	✕	+0,400 mm
		●	4208156M1(6)

Inglese

1	Dowel pin
1	Shaft
1	Gear
6	Cuscinet
6	Cuscinet
6	Cuscinet
1	Cuscinet
1	Bearing
1	Cuscinet
6	Conrod
1	Bush
2	Screw
6	Cuscinet
6	Cuscinet
6	Cuscinet
6	Pin
12	Ring
6	Kit
6	Kit
6	Piston
6	Piston

! This is a component of an assembly
✕ Shim

Engine

MTX Tier3 Restyling (2009-) - RPD1 - 150

RPD1\00006698.png

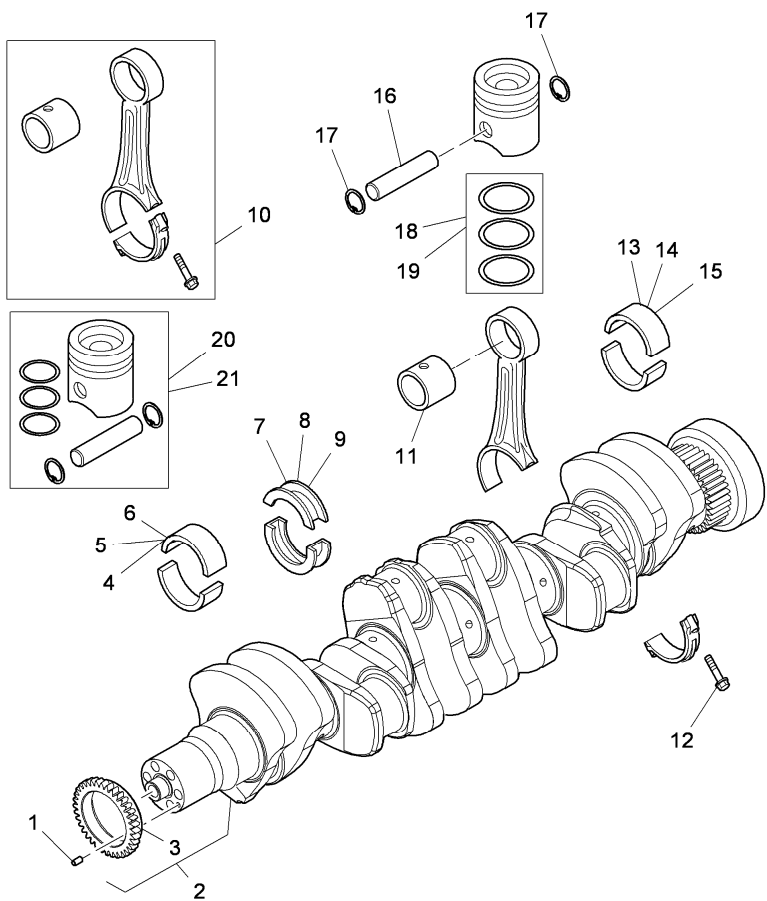
A-05
11



A0511

Crank shaft - connecting rods

● Replacement



Engine

MTX Tier3 Restyling (2009-) - RPD1 - 150

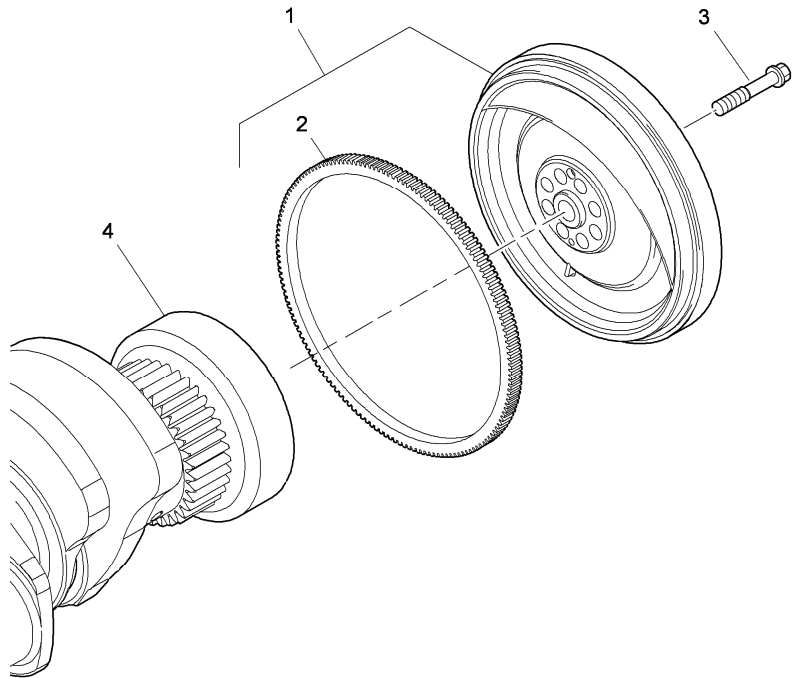
RPD1\00006699.png

A-05
12



A0512

Engine flywhell - damper



- 1 705228A1
- 2 705069A1 ! 1
● N.L.S.(1)
- 3 704752A1
- 4 ⦿ A-05 11 2
- ! This is a component of an assembly
- ⦿ See page - reference number
- Replacement

Inglese

- 1 Flywheel
- 1 Crownwheel
- 8 Screw
- 1 Shaft

Engine

MTX Tier3 Restyling (2009-) - RPD1 - 150

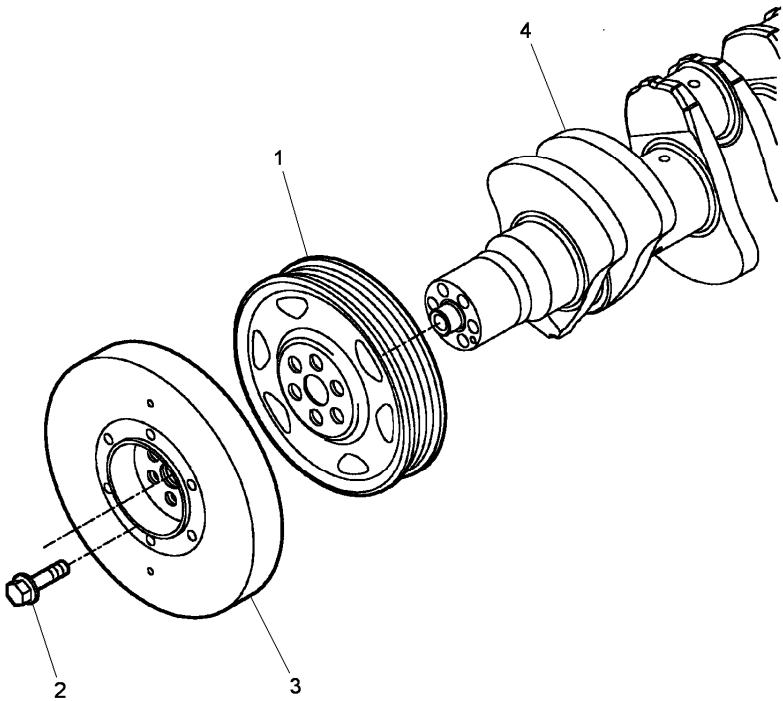
RPD1\00007398.png

A-05
13



A0513

Vibration damper



- 1 705106A1
- 2 3688681M1
- 3 704720A1
- 4 A-05 11 2
- See page - reference number

Inglese

- 1 Pulley
- 6 Screw
- 1 Kit
- 1 Shaft

Engine

MTX Tier3 Restyling (2009-) - RPD1 - 150

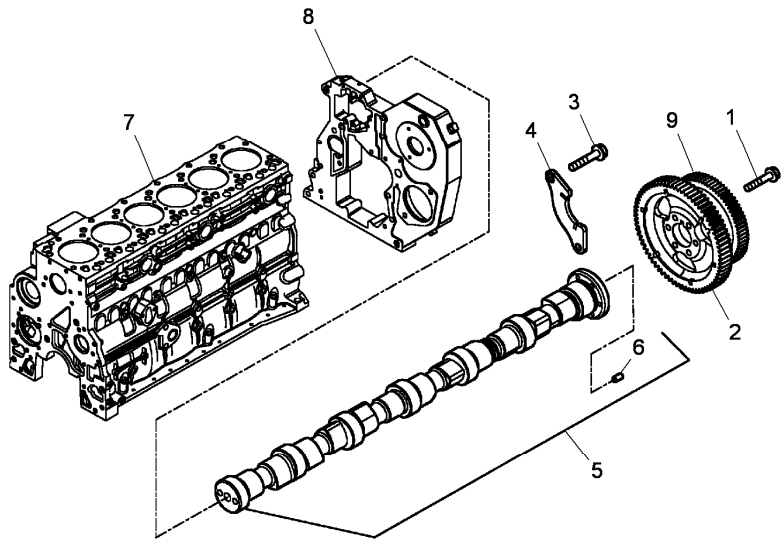
RPD1\00007399.png

A-05
14



A0514

Timing parts



- 1 704833A1
- 2 705169A1
- 3 3688854M1 ◀▶ M8x17 mm
- 4 3688818M1 ● 704997A1(2)
- 5 4208161M1 ● 704931A1(1)
- 6 3688857M1 ! 5
- 7 ◀▶ 705005A1(1)
- 8 ◀▶ A-05 02 9
- 9 4218631M1 ◀▶ A-05 04 10
- ! This is a component of an assembly
- ◀▶ See page - reference number
- ◀▶ Length
- Replacement

Inglese

- 6 Elbow
- 1 Flywheel
- 2 Screw
- 1 Stirrup
- 1 Shaft
- 1 Screw
- 1 Housing
- 1 Rotor drive
- 1 Gear

Engine

MTX Tier3 Restyling (2009-) - RPD1 - 150

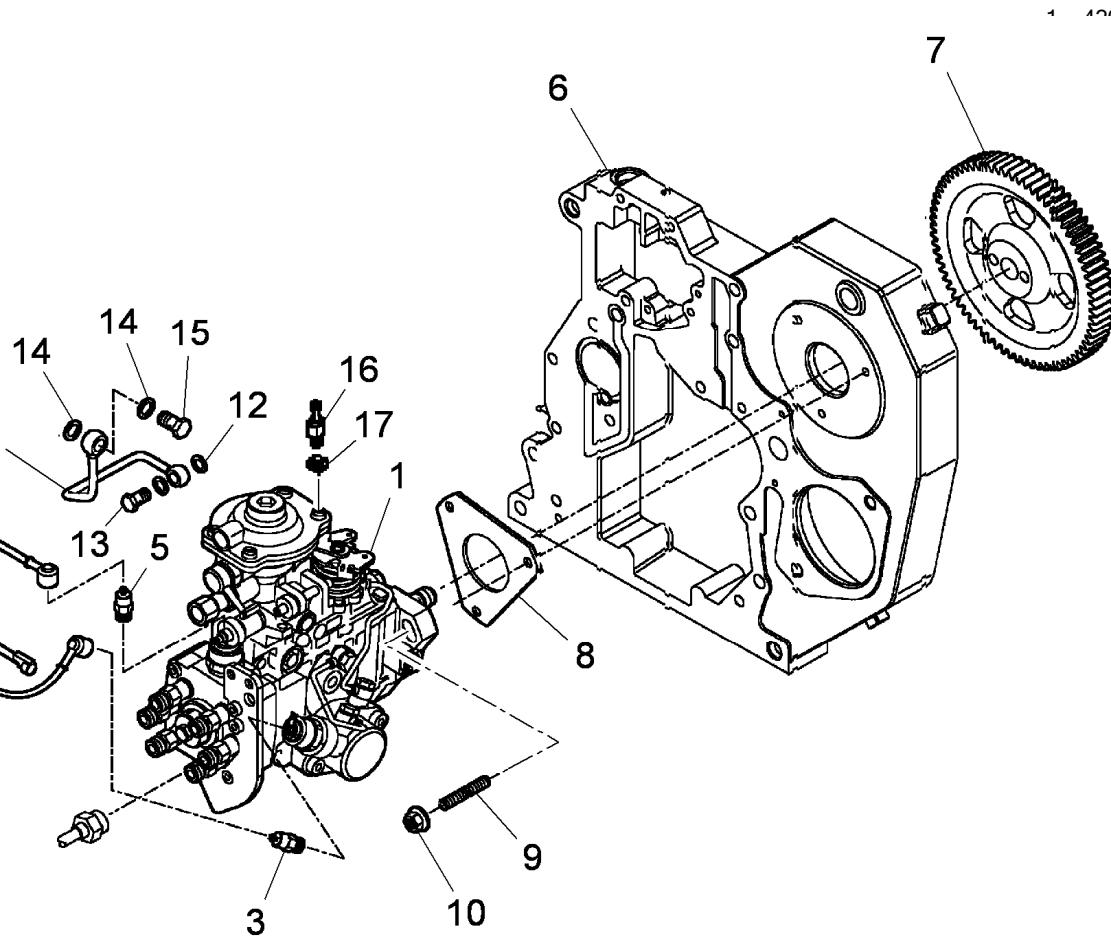
RPD1\00008921.png

**A-05
15**



A0515

Fuel injection equipment



- 1 4200320M1
- .1
- M1
- M1 A
- M1
- ⊕ A-05 04 10
- M1
- .1
- .1
- M1
- .1
- .1
- .1
- .1
- .1
- 6515434M1(1)
- M1
- M1

Inglese

- 1 Pump
- 1 Cable
- 1 Magnet
- 1 Sensor
- 1 Magneto
- 1 Shift
- 1 Gear
- 1 Gasket
- 3 Stud
- 3 Nut
- 1 Pipe
- 2 Gasket
- 1 Filler
- 2 Gasket
- 1 Filler
- 1 Universal joint
- 1 Washer

je - reference number
 ument
 emperature

Engine

MTX Tier3 Restyling (2009-) - RPD1 - 150

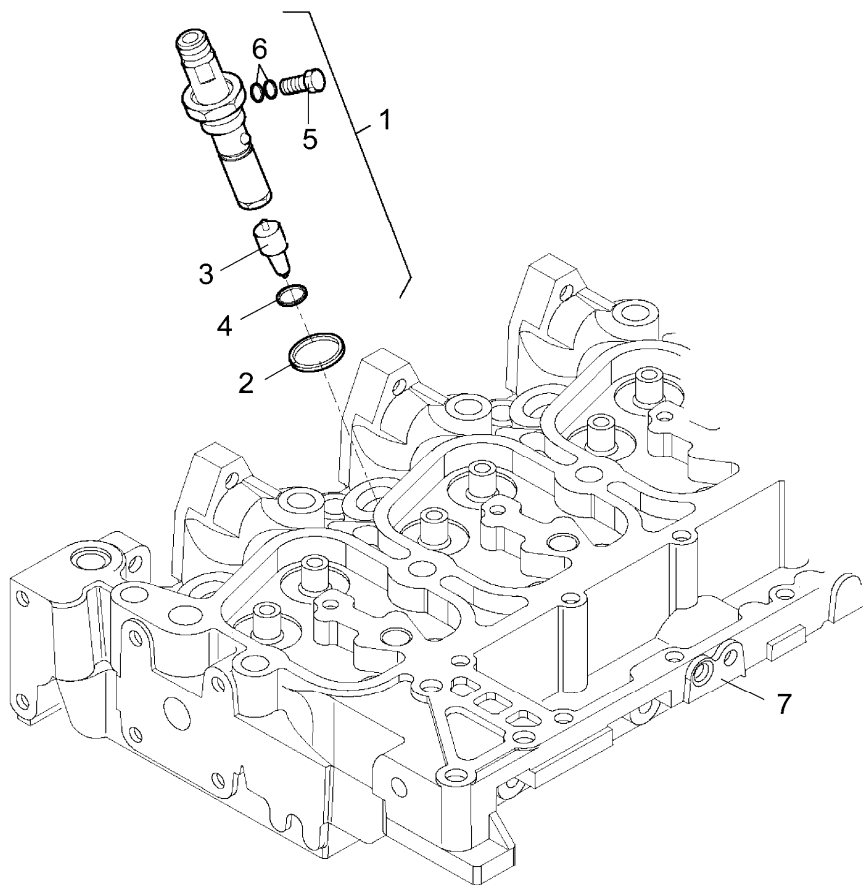
RPD1\00006012.png

A-05
16



A0516

Nozzles



- 1 4208173M1
- 2 707401A1
- 3 4208174M1
- 4 4208343M1
- 5 4208176M1 M8x1
- 6 4208177M1 Ø6x10 mm
- 7 A-05 07 3
- See page - reference number

Inglese

- 6 Nozzle
- 6 Gasket
- 6 Nozzle
- 6 Washer
- 6 Filler
- 12 Ring
- 1 Head

Engine

MTX Tier3 Restyling (2009-) - RPD1 - 150

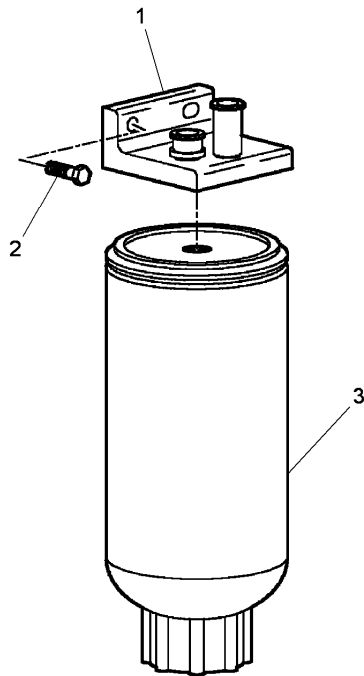
RPD1\00007402.png

A-05
17



A0517

Fuel filter



Inglese

- 885334
 - 1 704626A1 1 Support
 - 2 706295A1 2 Bolt
 - 3 4218430M1 ● 6508562M91(1) 1 Filter
- ➔ Up to serial or engine number
● Replacement

Engine

MTX Tier3 Restyling (2009-) - RPD1 - 150

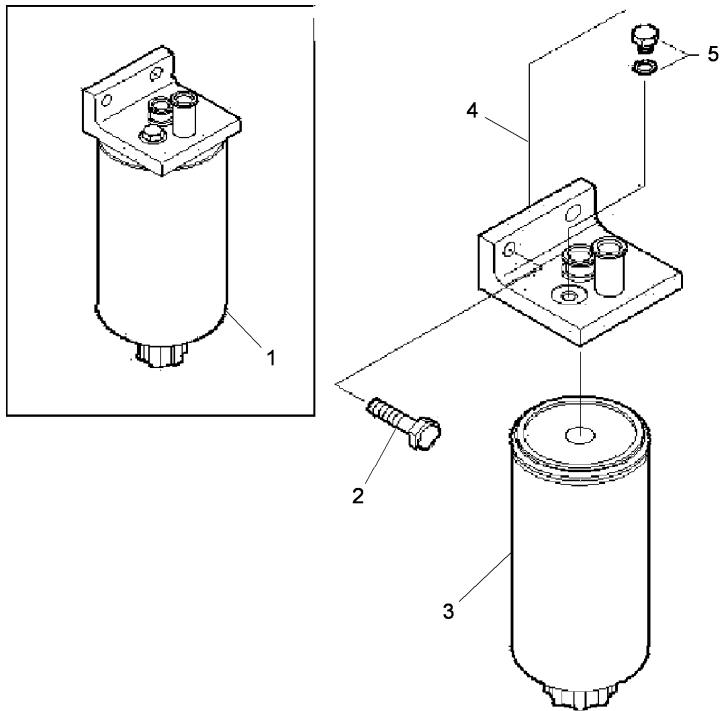
RPD1\00041822.png

A-05
175



A05175

Heavy duty fuel filter



Inglese

- 885335
- 1 6513445M91 ● 6507443M91(1) 1 Filter
- 2 705004A1 ! 1 2 Screw
- 3 6513443M1 ! 1 1 Filter
- 4 6513442M1 ! 1 1 Support
- 5 6513444M91 ! 1 1 Screw
- ! This is a component of an assembly
- ➔ From serial or engine number
- Replacement

Engine

MTX Tier3 Restyling (2009-) - RPD1 - 150

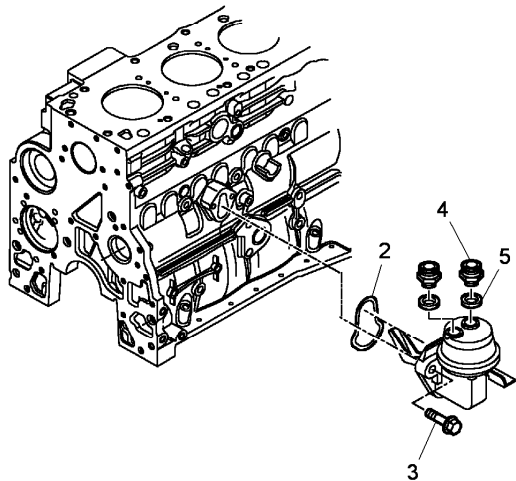
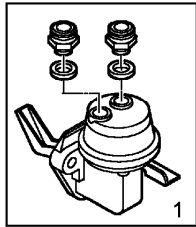
RPD1\00007404.png

A-05
18



A0518

Fuel pump



- | | | | | | |
|---|-----------|-------------|-------------------------------------------------|---------|---------|
| 1 | 707371A1 | ● | 3688650M1(2),
3688754M1(2),
6507275M91(1) | Inglese | 1 Pump |
| 2 | 707370A1 | | | | 1 Ring |
| 3 | 3688849M1 | ● | 3688856M1(1) | | 2 Screw |
| 4 | 3688650M1 | | | | 2 Union |
| 5 | 3688754M1 | | | | 2 Ring |
| | ● | Replacement | | | |



Suggest:

For more complete manuals. Please go to the home page.

<https://www.ebooklibonline.com>

If the above button click is invalid. Please download this document first, and then click the above link to download the complete manual.

Thank you so much for reading

Engine

MTX Tier3 Restyling (2009-) - RPD1 - 150

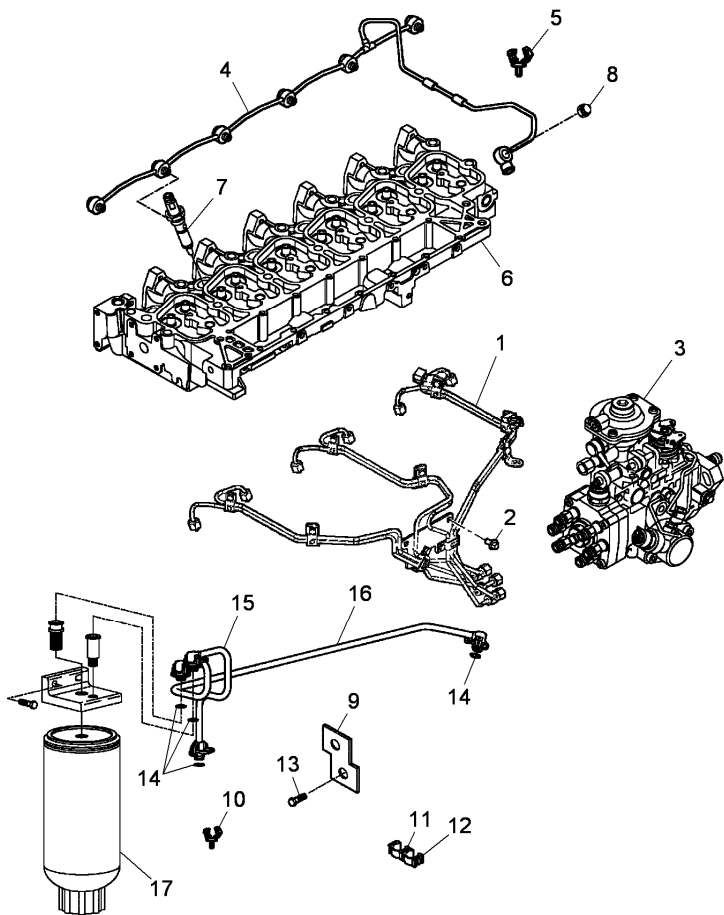
RPD1\00007405.png

**A-05
19**



A0519

Fuel lines



- | | | | |
|----|-----------|---------------|-----------|
| 1 | 705178A1 | | Inglese |
| 2 | 704904A1 | | 1 Kit |
| 3 | | ◊ A-05 15 1 | 2 Screw |
| 4 | 705208A1 | | 1 Pump |
| 5 | 705191A1 | | 1 Pipe |
| 6 | | ◊ A-05 07 3 | 1 Clip |
| 7 | | ◊ A-05 16 1 | 1 Head |
| 8 | | ◊ A-05 15 2 | 1 Nozzle |
| 9 | 705352A1 | | 1 Sensor |
| 10 | 705191A1 | | 1 Stirrup |
| 11 | 705349A1 | | 1 Clip |
| 12 | 4218632M1 | ● 713180A1(1) | 1 Spring |
| 13 | 3688932M1 | | 1 Screw |
| 14 | 3688690M1 | | 4 Ring |
| 15 | 704630A1 | | 1 Pipe |
| 16 | 704627A1 | | 1 Pipe |
| 17 | | ◊ A-05 17 3 | 1 Filter |

◊ See page - reference number

● Replacement

Engine

MTX Tier3 Restyling (2009-) - RPD1 - 150

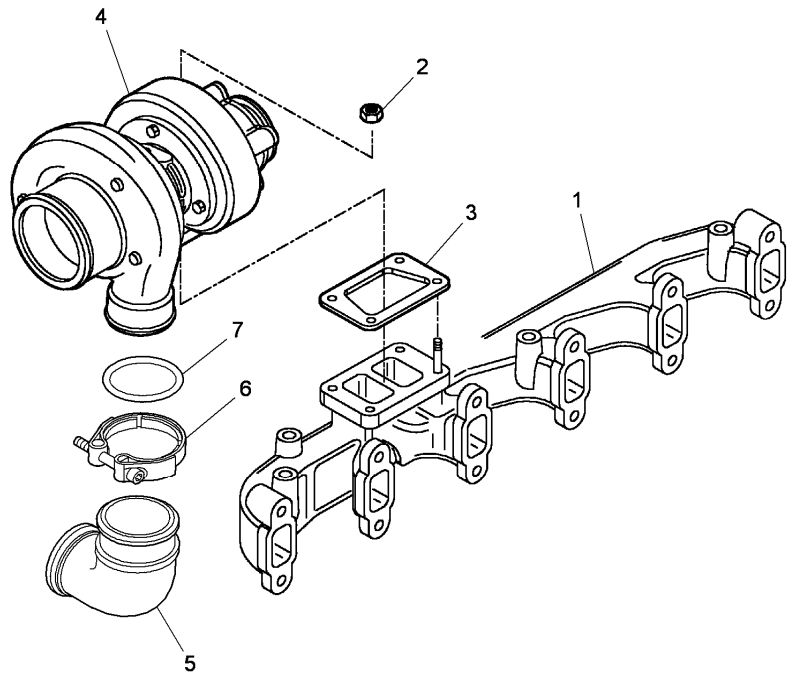
RPD1\00007410.png

A-05
20



A0520

Turbocharger



- 1 A-05 10 8
- 2 3688862M1
- 3 3688770M1
- 4 4218633M1 708801A1(1)
- 5 711443A1
- 6 3684506M91
- 7 705010A1
- See page - reference number
- Replacement

Inglese

- 1 Manifold
- 4 Nut
- 1 Gasket
- 1 Turbocharger
- 1 Elbow
- 1 Collar
- 1 Ring

<https://www.ebooklibonline.com>

Hello dear friend!

Thank you very much for reading.

Enter the link into your browser.

The full manual is available for immediate download.

<https://www.ebooklibonline.com>