

Engine

MC POWER6 Tier 3 (2007-2010) - RPA1 - 135

RPA1\00005363.png

A-05
01



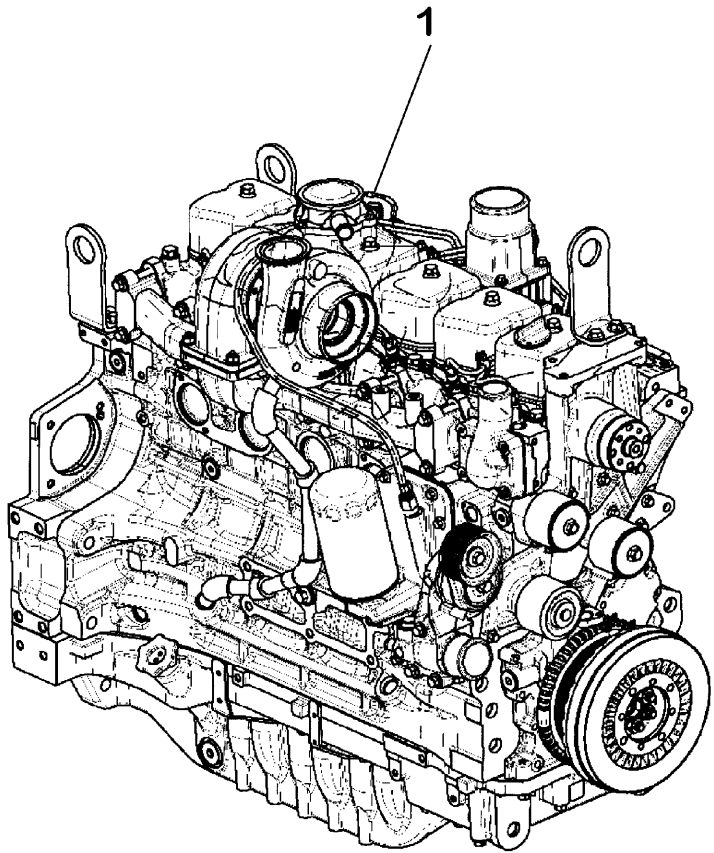
A0501

Engine assembly

Inglese

1 3697117M91 ● 3697117M92(1) 1 Engine
"tier 3"

● Replacement



Engine

MC POWER6 Tier 3 (2007-2010) - RPA1 - 135

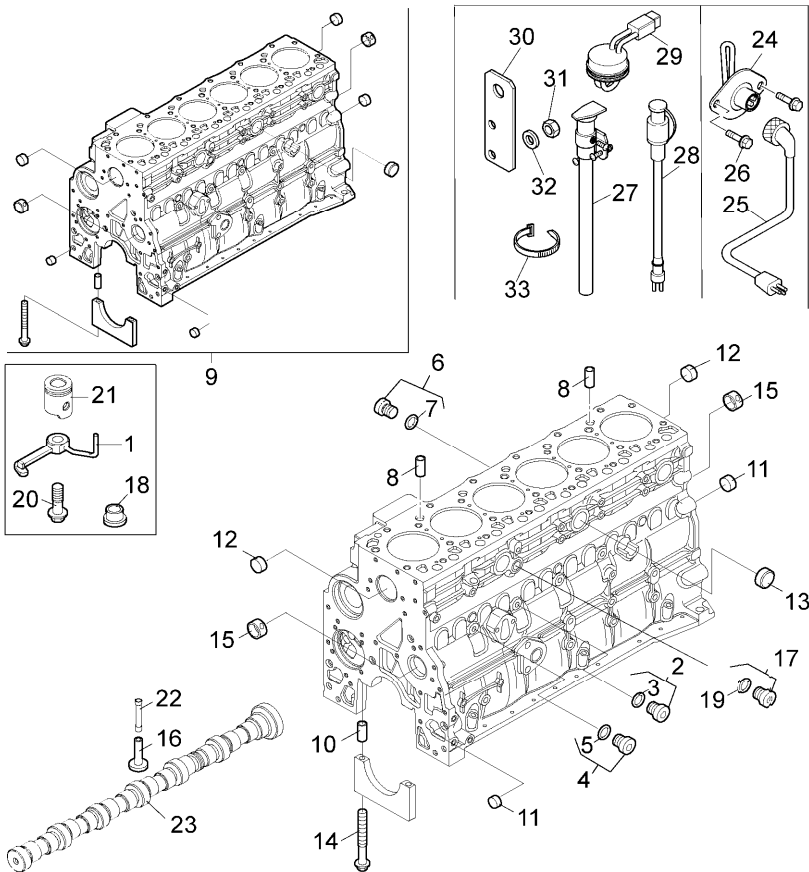
RPA1\00006029.png

A-05
02



A0502

Crankcase



Inglese

- | | | | |
|----|-----------|---|-------------------------------------|
| 1 | 3689030M1 | | 6 Jet |
| 2 | 3689350M1 | ● | 1 Plug
M14x1,5 |
| 3 | 3688868M1 | | 1 O ring |
| 4 | 3688822M1 | ● | 3 Plug
M10x1 |
| 5 | 3688855M1 | | 3 O ring |
| 6 | 3688780M1 | ● | 3 Plug
Assy m18x1,5 |
| 7 | 3688781M1 | ● | 3 O ring |
| 8 | 3688761M1 | | 2 Dowel pin |
| 9 | 3688625M1 | | 1 Crankcase |
| 10 | 3688824M1 | ● | 14 Dowel pin |
| 11 | 3688758M1 | | 2 Plug
17,73x6,35x1,07 |
| 12 | 3688757M1 | | 6 Plug
58,06x8,25x1,52 |
| 13 | 3688775M1 | | 3 Plug
35,23x7,94x1,52 |
| 14 | 3688673M1 | ● | 14 Screw
M12x120 mm |
| 15 | 3688759M1 | | 2 Bearing |
| 16 | 704803A1 | | 1 Register |
| 17 | 3688800M1 | ● | 2 Plug
704870A1(2)
M16x1,5 mm |
| 18 | 3688628M1 | | 1 Splasher |

Engine

MC POWER6 Tier 3 (2007-2010) - RPA1 - 135

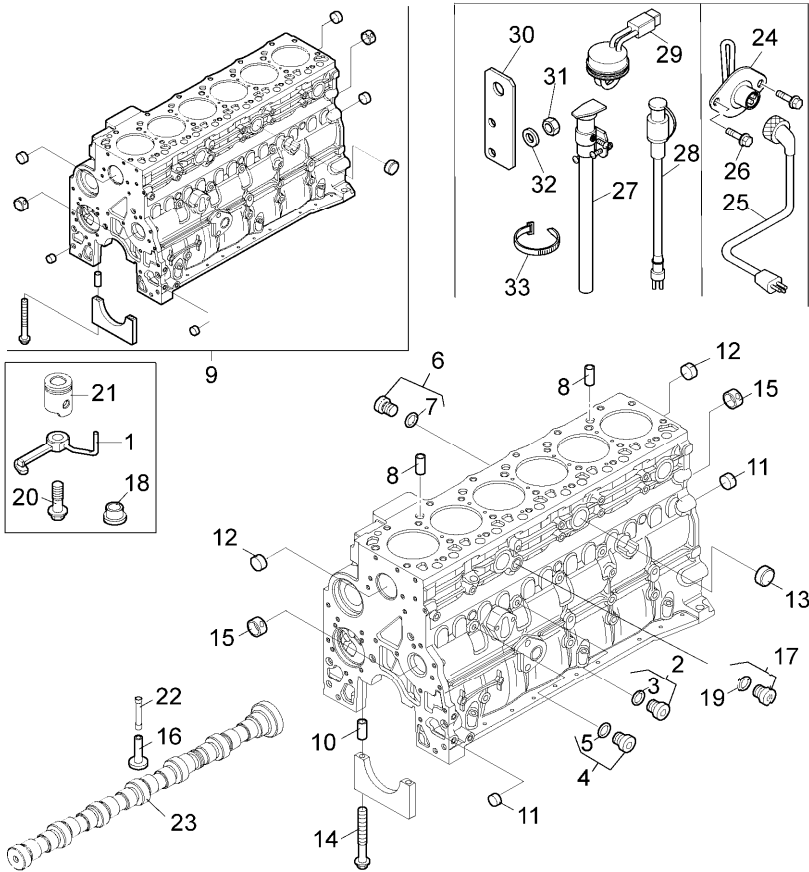
RPA1\00006029.png

A-05
02



A0502

Crankcase



		Inglese	
19	3688994M1	≡ =2,6 mm ∅ 13.9 !	1 Toroidal seal
20	3688692M1	M8x1,25	6 Filler
21		⊕ A-05 13 5	1 Piston
22		⊕ A-05 08 2	1 Rod
23		⊕ A-05 15 1	1 Camshaft
24	706388A1	120v/750w	1 Relay
25	J905113	◄ 1829mm	1 Cable
26	2314H003		2 Screw
27	314722A1		1 Wiring
28	314723A1		1 Wiring
29	706389A1	220v/750w	1 Relay
A			
30	313526A1		1 Plate
31	825-1405	● 390995X1(1)	1 Nut
32	893-16005		2 Washer
33	289862C1		3 Clamp
! This is a component of an assembly			
⊕ See page - reference number			
≡ Shim			
◄ Length			
∅ Diameter			
● Replacement			
A Cee			

<https://www.ebooklibonline.com>

Hello dear friend!

Thank you very much for reading.

Enter the link into your browser.

The full manual is available for immediate download.

<https://www.ebooklibonline.com>

Engine

MC POWER6 Tier 3 (2007-2010) - RPA1 - 135

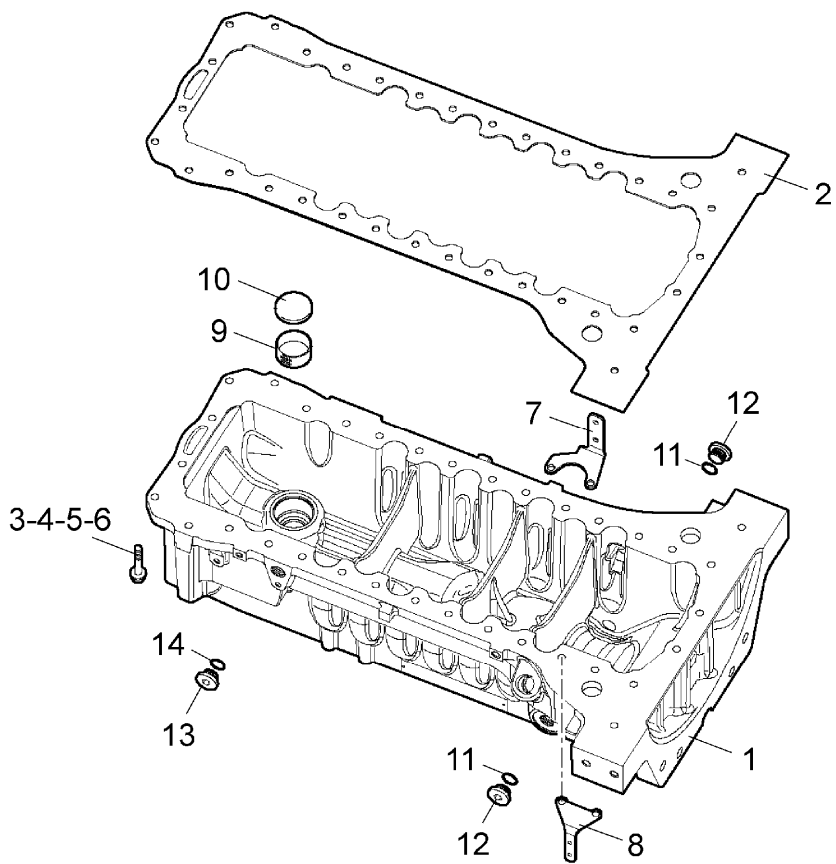
RPA1\00006027.png

A-05
03



A0503

Oil sump



		Inglese
1	4208117M1	1 Pan
2	3688752M1	1 Gasket
3	3688778M1	2 Screw
4	3688679M1	M10x90 mm
5	4208118M1	24 Screw
6	3688678M1	M10x190 mm
6	3688678M1	2 Screw
7	4208119M1	1 Stirrup
8	4208120M1	2 Stirrup
9	3688803M1	1 Filter
10	3688804M1	1 Plug
11	3688997M1	2 O ring
12	3688691M1	M22x1,5
12	3688691M1	2 Plug
13	4208121M1	1 Plug
14	4208122M1	1 Gasket

Shim
 Replacement

=1,5 mm
 6528826M1(1)
 Ø18x26 mm

Engine

MC POWER6 Tier 3 (2007-2010) - RPA1 - 135

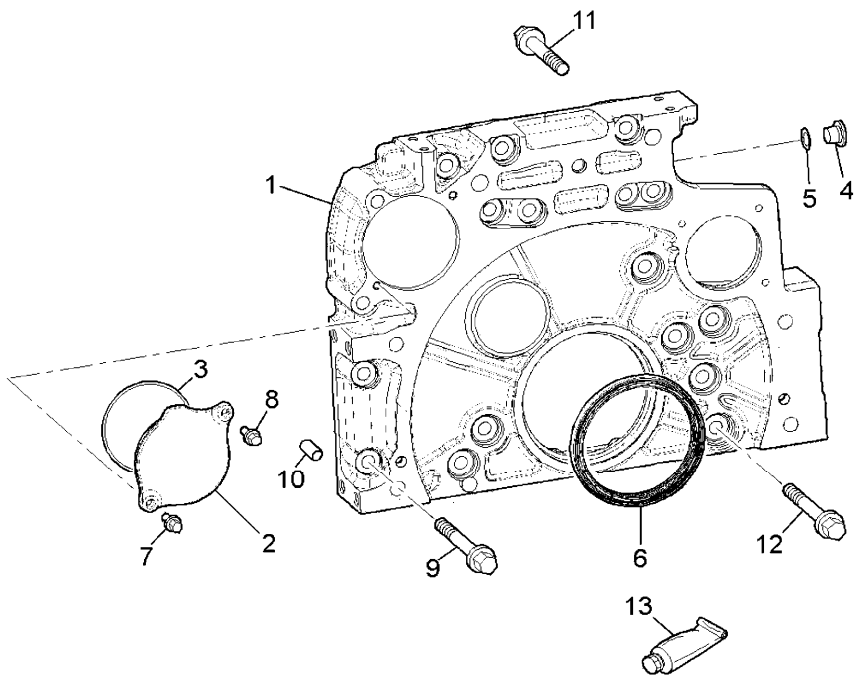
RPA1\00005740.png

A-05
04



A0504

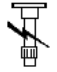
Rear c. case cover



		Inglese
1	4206380M1	1 Coperch.
2	4208123M1	1 Coperch.
3	3689092M1	1 O ring
4	3688780M1	1 Plug
	● 704848A1(1) M18 x 1.5	
5	3688781M1	1 O ring
6	3688647M1	1 O ring
	● 707405A1(1)	
	● 6514306M1(1) 130x155x12,5	
7	4208124M1	1 Screw
8	3688941M1	1 Screw
	● 710625A1(1) M8 x 1.25 x 20	
9	3688671M1	15 Screw
	M12 x 1.75	
10	3688753M1	2 Dowel pin
11	3688869M1	2 Screw
12	3688874M1	1 Screw
	M16 x 1.5	
13	3688632M1	1 Adhesive
	● 3688632M2(1) Loctite	
	● Replacement	

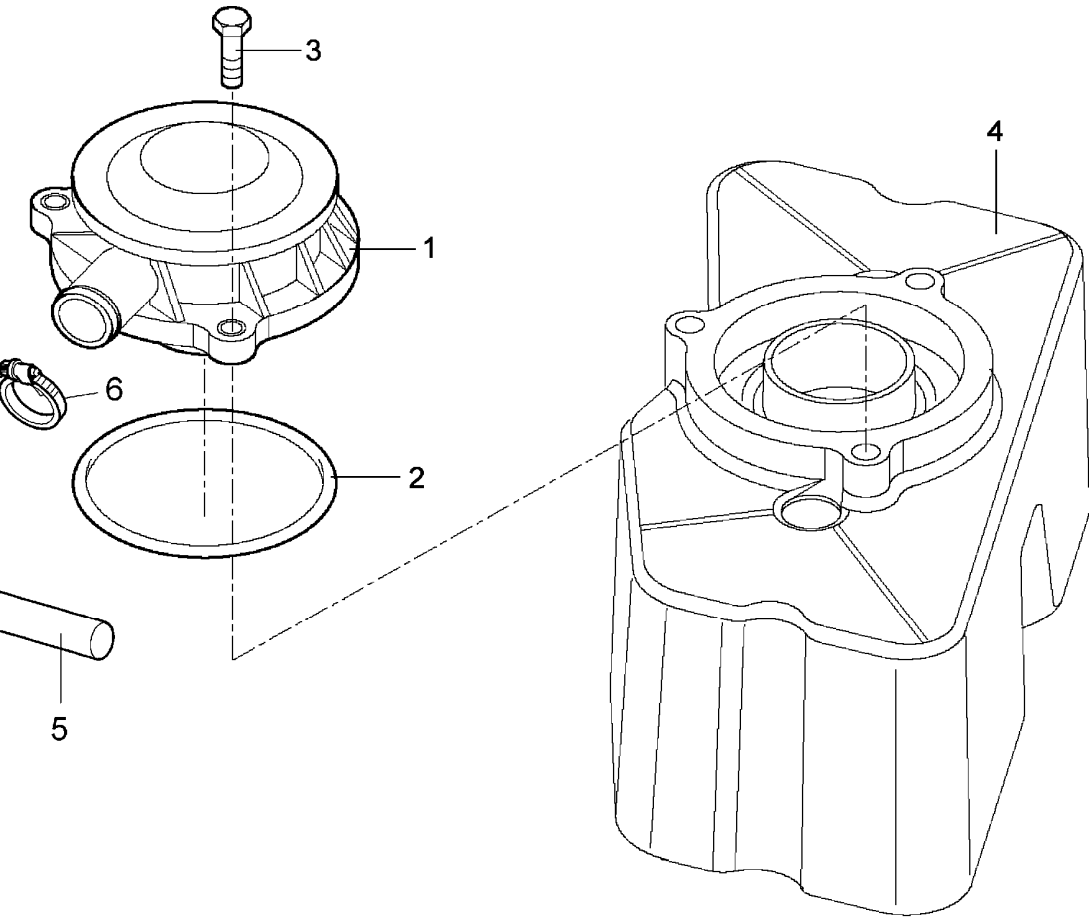
Engine

MC POWER6 Tier 3 (2007-2010) - RPA1 - 135

A-05
05
 A0505

Engine breathers

RPA1\00006001.png



- 1 707434A1
- 7435A1
- 38866M1 ● 705021A1(3)
- ◁ A-05 07 7
- 34643M1
- 51942M1
- see page - reference number
- replacement

- Inglese**
- 1 Valve
 - 1 Gasket
 - 3 Screw
 - 1 Cover
 - 1 Pipe
 - 1 Clamp

Engine

MC POWER6 Tier 3 (2007-2010) - RPA1 - 135

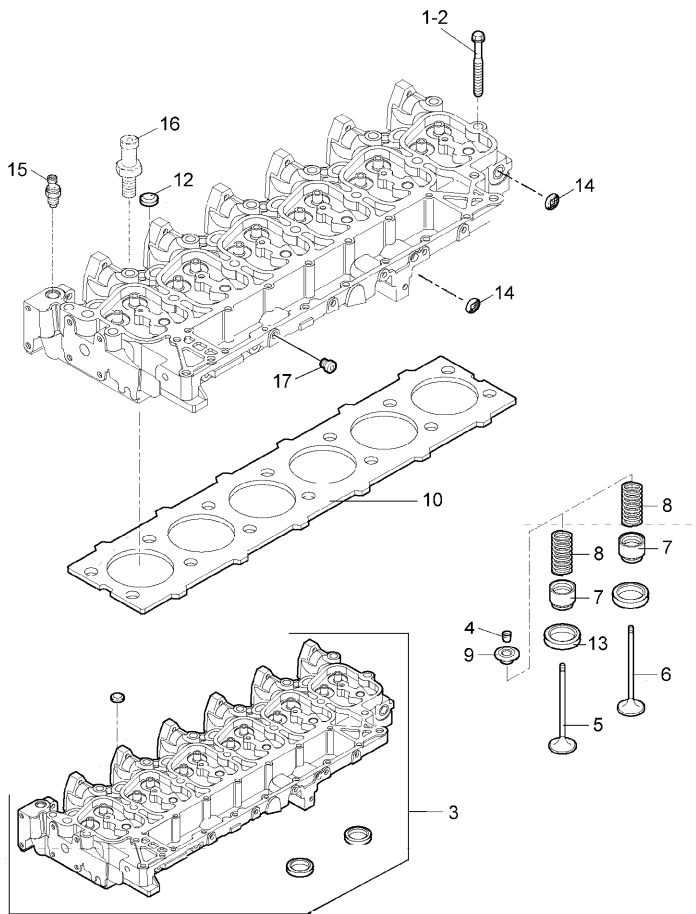
RPA1\00005792.png

A-05
06



A0506

Head cylinder



		Inglese	
1	704717A1	● 707391A1(6) M15x1,75	6 Screw
2	707390A1	M15x1,75	14 Screw
3	704877A1		1 Head
4	704804A1		24 Half cone
5	704807A1		6 Valve
6	704806A1		6 Valve
7	704836A1		12 Cap
8	704821A1		12 Spring
9	704805A1		12 Cup
10	707379A1	✂ =1,25 mm	1 Gasket
11	704922A1		6 Valve seat
12	704802A1		3 Plug
13	704921A1		Valve seat
14	704784A1		2 Plug
15	705080A1	● 4217672M1(1) A	1 Transmitter
16	705133A1		1 Union
17	243803A2		1 Indicator
✂	Shim		
●	Replacement		
A	Engine water temperature		

Engine

MC POWER6 Tier 3 (2007-2010) - RPA1 - 135

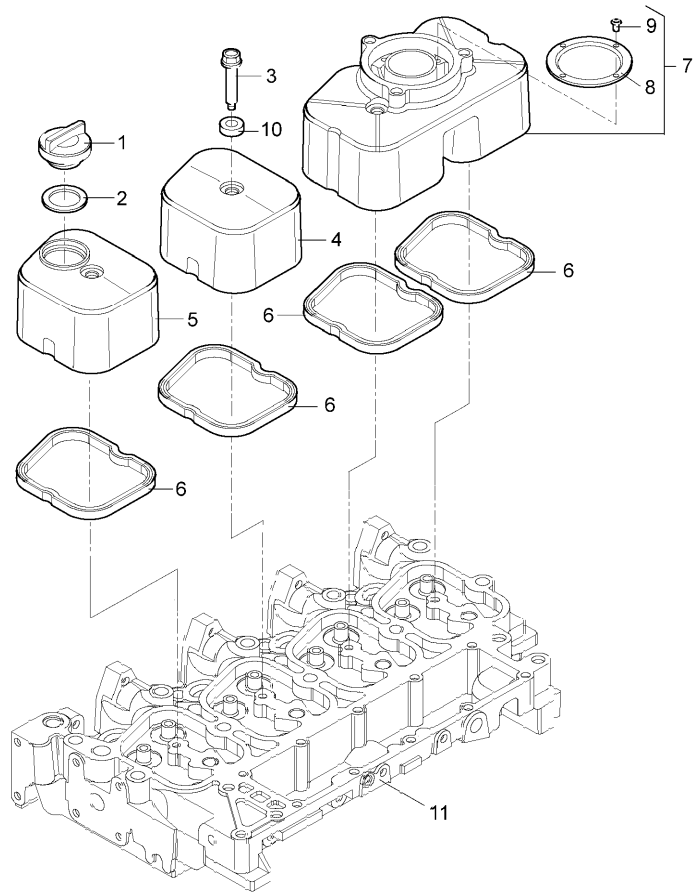
RPA1\00006003.png

A-05
07



A0507

Cylinder head cover



- 1 4208125M1
- 2 4208126M1
- 3 704820A1 M8x1,25
- 4 705188A1
- 5 4208127M1
- 6 705147A1
- 7 704650A1
- 8 707378A1
- 9 704576A1
- 10 707403A1
- 11 A-05 06 3
- See page - reference number

Inglese

- 1 Plug
- 1 Gasket
- 6 Screw
- 3 Coperch.
- 1 Coperch.
- 6 Gasket
- 1 Cover
- 1 Ring
- 4 Screw
- 6 Ring
- Head

Engine

MC POWER6 Tier 3 (2007-2010) - RPA1 - 135

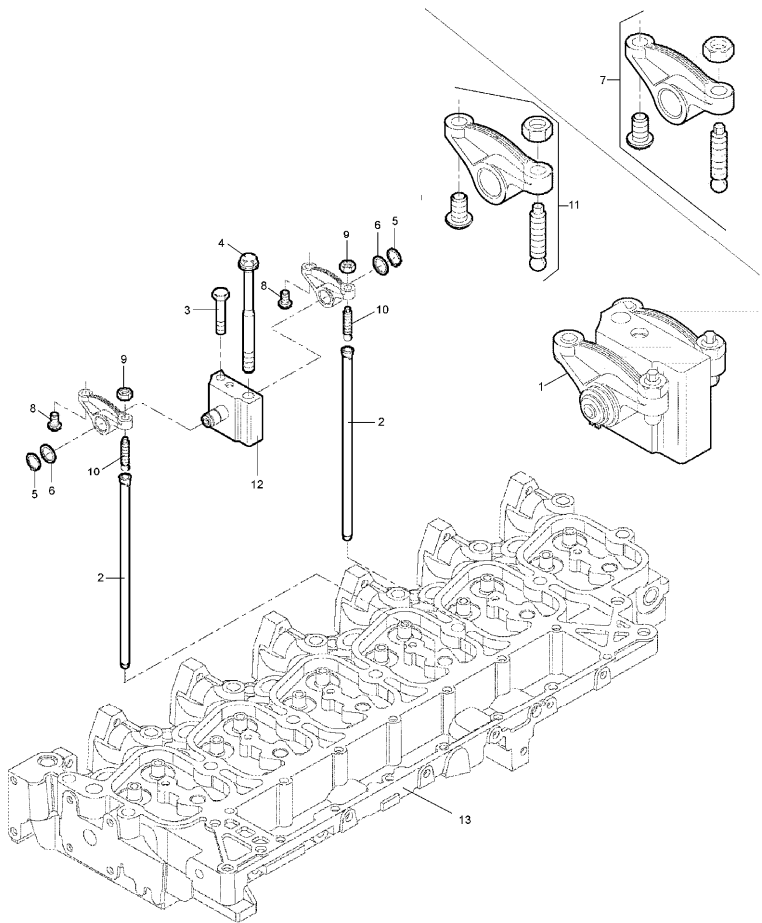
RPA1\00006004.png

A-05
08



A0508

Rocker arm



- 1 704809A1
- 2 704841A1
- 3 4208128M1 M8x1,25x60 mm
- 4 704716A1 M12x1,75
- 5 704843A1
- 6 704844A1
- 7 704810A1
- 8 704845A1
- 9 704812A1
- 10 704813A1
- 11 704814A1
- 12 704816A1
- 13 A-05 06 3

Inglese

- 6 Shaft
- 12 Rod
- 6 Screw
- 6 Screw
- 12 Ring
- 12 Washer
- 6 Rocker
- 12 Ball pin
- 12 Nut
- 12 Screw
- 6 Rocker
- 6 Support
- Head

See page - reference number

Engine

MC POWER6 Tier 3 (2007-2010) - RPA1 - 135

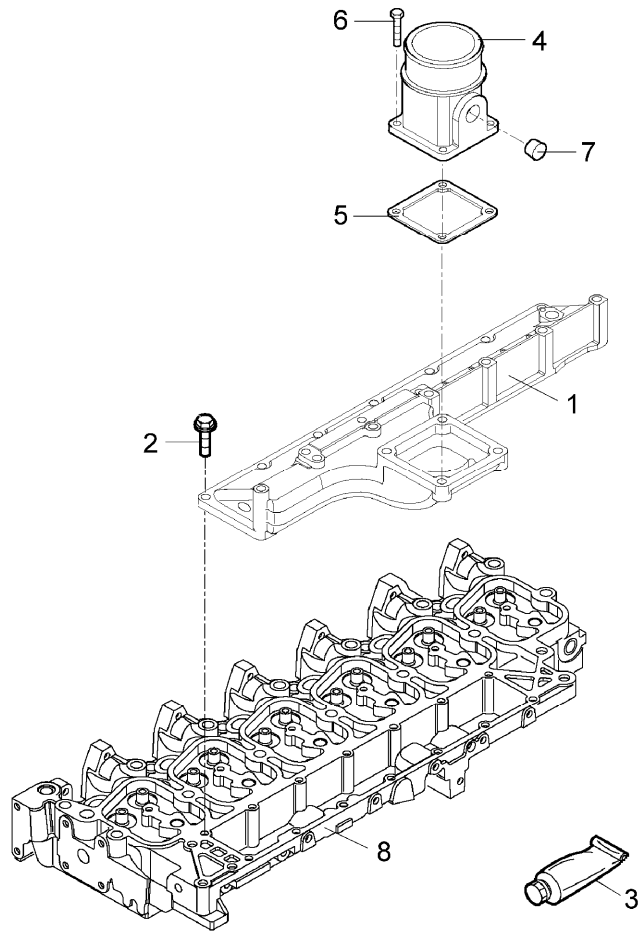
RPA1\00006005.png

A-05
09



A0509

Induction manifold



			Inglese
1	705187A1		1 Cover
2	3688850M1	M8x1,25x25 mm	10 Screw
3	3688633M1	● 6500933M1(1)	1 Adhesive
4	4208129M1		1 Duct
5	705061A1	● 6500220M1(1)	1 Gasket
6	3688850M1	M8x1,25x25 mm	4 Screw
7	3688683M1		1 Plug
8		◁ A-05 06 3	Head
◁	See page - reference number		
●	Replacement		

Engine

MC POWER6 Tier 3 (2007-2010) - RPA1 - 135

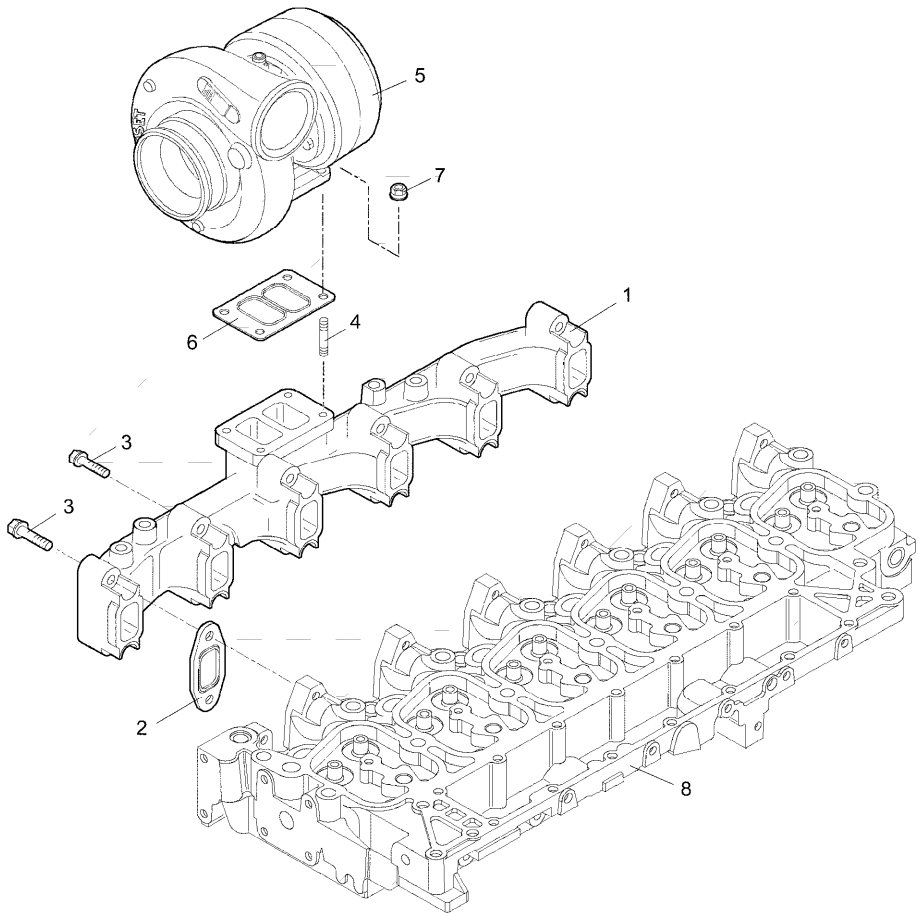
RPA1\00006006.png

A-05
10



A0510

Exhaust manifold



- | | | | | | |
|---|-------------|--------------------------|---------|----|--------------|
| 1 | 705199A1 | | Inglese | 1 | Collet |
| 2 | 705273A1 | | | 6 | Gasket |
| 3 | 3688774M2 | M10x1,5x65 mm | | 12 | Worm |
| 4 | 3688861M1 | ● 705008A1(4)
M10x1,5 | | 4 | Screw |
| 5 | 708801A1 | | | 1 | Turbocharger |
| 6 | 3688770M1 | | | 1 | Gasket |
| 7 | 3688862M1 | M10x1,5 | | 4 | Nut |
| 8 | ◁ A-05 06 3 | | | 1 | Head |
- ◁ See page - reference number
● Replacement

Engine

MC POWER6 Tier 3 (2007-2010) - RPA1 - 135

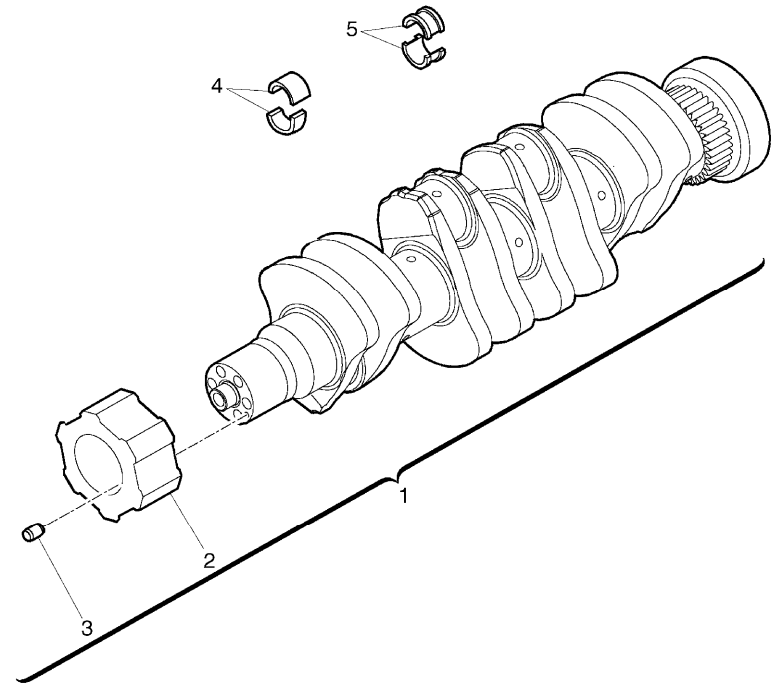
RPA1\000022015.png

A-05
11



A0511

Crankshaft



		Inglese	
1	3688630M1	● 3688630M2(1)	1 Shaft
2	4206387M1		1 Bushing
3	3688851M1	● 704992A1(1)	1 Screw
4	3688637M1	Std.	6 Cuscinet
4	3688638M1	-0.250	6 Cuscinet
4	3688639M1	-0.500	6 Cuscinet
5	3688634M1	Std.	1 Cuscinet
5	3688635M1	-0.250	1 Bearing
5	3688636M1	-0.500	1 Cuscinet
●	Replacement		

Engine

MC POWER6 Tier 3 (2007-2010) - RPA1 - 135

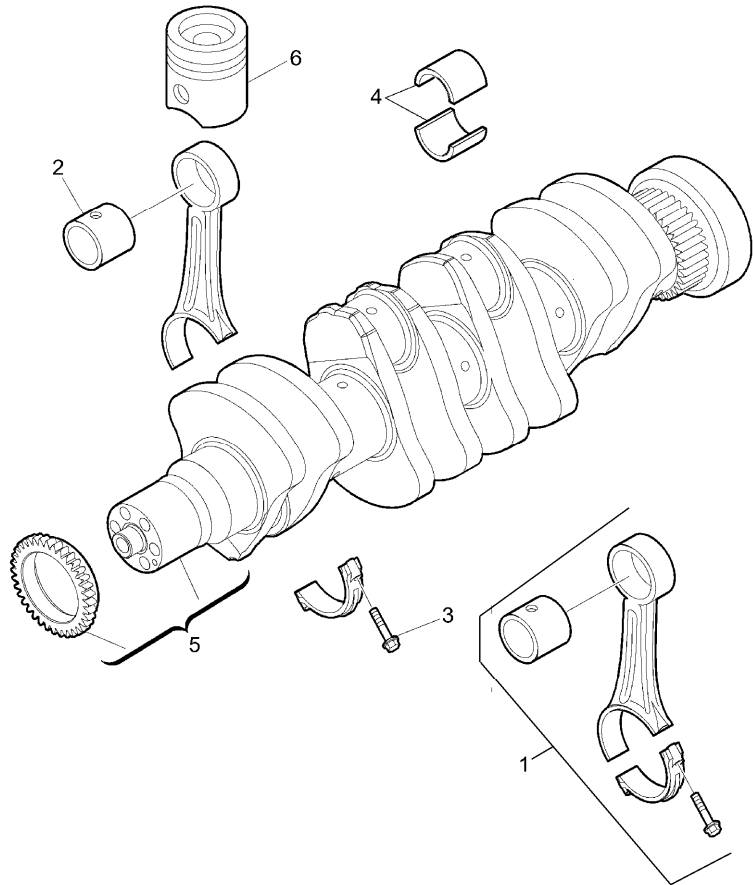
RPA1\000022016.png

A-05
12



A0512

Crank shaft - connecting rods



- | | | |
|---|-----------|-------------|
| 1 | 3688624M1 | |
| 2 | 3688675M1 | |
| 3 | 3688623M1 | |
| 4 | 3688880M1 | Std |
| 4 | 4206388M1 | -0,250 |
| 4 | 4206389M1 | -0,500 |
| 5 | | ↔ A-05 11 1 |
| 6 | | ↔ A-05 13 5 |
- ↔ See page - reference number

Inglese

- | | |
|----|----------|
| 6 | Conrod |
| 6 | Bush |
| 12 | Screw |
| 6 | Cuscinet |
| 6 | Cuscinet |
| 6 | Cuscinet |
| 1 | Shaft |
| 6 | Piston |

Engine

MC POWER6 Tier 3 (2007-2010) - RPA1 - 135

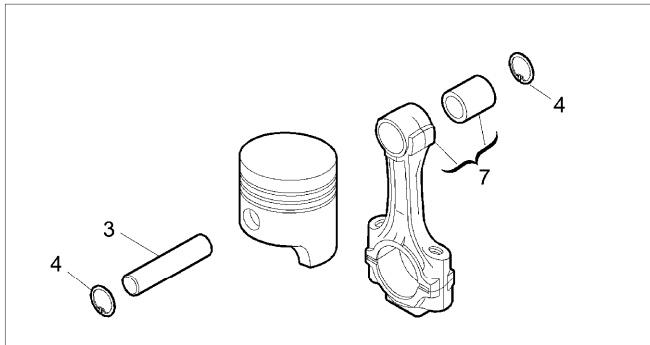
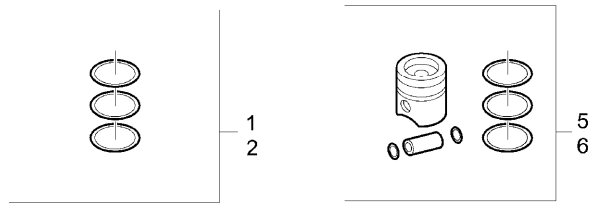
RPA1\000021409.png

A-05
13



A0513

Piston assay piston rings - piston complete



- | | | | | | |
|---|-----------|----|--------------|----|--------|
| 1 | 706290A1 | ● | 3688921M1(1) | 6 | Kit |
| 2 | 707354A1 | ✕ | +0,4 | 6 | Kit |
| | | ● | 713981A1(6) | | |
| 3 | 3688676M1 | | | 6 | Pin |
| 4 | 3689087M1 | | | 12 | Ring |
| 5 | 4208130M1 | | | 6 | Piston |
| 6 | 4208156M1 | ✕ | +0,4 | 6 | Piston |
| 7 | | ◁▷ | A-05 12 1 | 6 | Conrod |

- ◁▷ See page - reference number
 ✕ Shim
 ● Replacement

Inglese

Engine

MC POWER6 Tier 3 (2007-2010) - RPA1 - 135

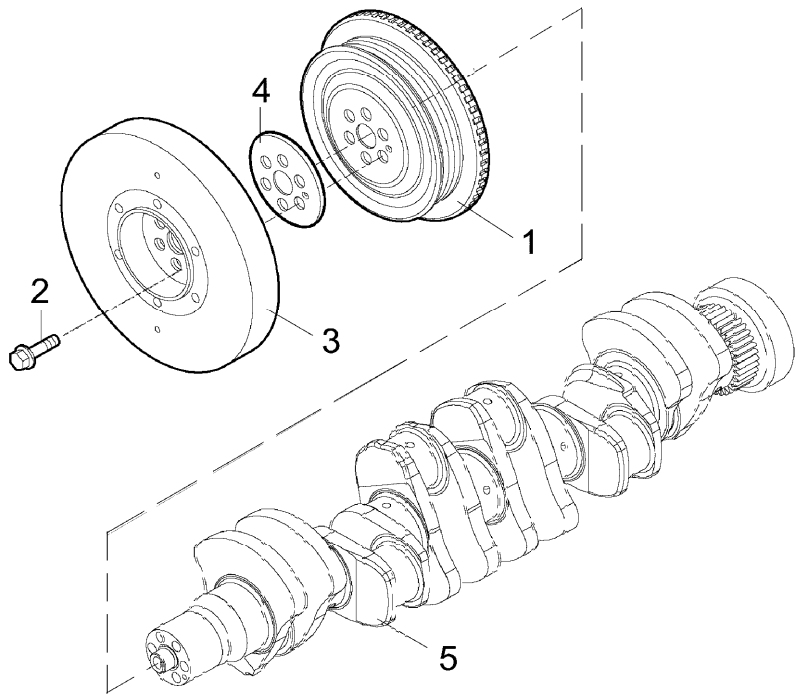
RPA1\00006007.png

**A-05
14**



A0514

Vibration damper



- | | | Inglese |
|---|-----------------------------|--------------------|
| 1 | 3689094M1 | 1 Pulley |
| 2 | 3688681M1 M12x1,5 | 6 Screw |
| 3 | 4208157M1 ● 4208157M2(1) | 1 Vibration damper |
| 4 | 4208158M1 | 1 Spacer |
| 5 | ⦿ A-05 11 1 | 1 Shaft |
| ⦿ | See page - reference number | |
| ● | Replacement | |

Engine

MC POWER6 Tier 3 (2007-2010) - RPA1 - 135

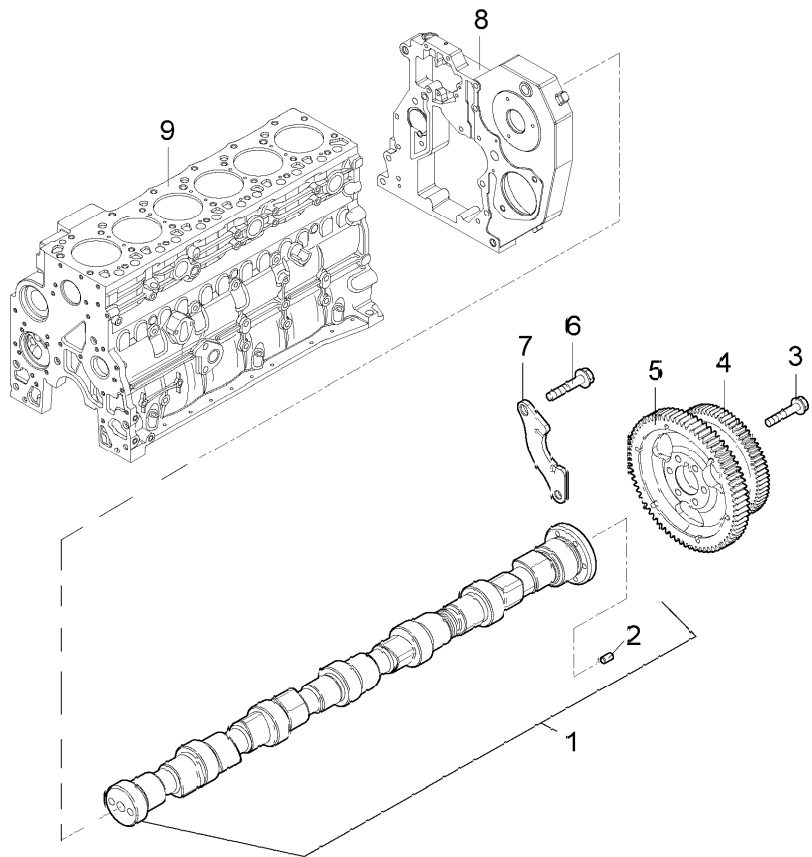
RPA1\00006008.png

A-05
15



A0515

Timing parts



- 1 4208161M1
- 2 3688857M1 ● 705005A1(1)
- 3 4208159M1
- 4 4208162M1
- 5 4208160M1
- 6 3688854M1 ● 704997A1(2)
M8x17 mm
- 7 3688818M1 ● 704931A1(1)
- 8 ◁ A-05 04 1
- 9 ◁ A-05 02 9

Inglese

- 1 Shaft
- 1 Screw
- 6 Screw
- 1 Gear
- 1 Gear
- 2 Screw
- 1 Stirrup
- 1 Cover
- 1

- ◁ See page - reference number
- Replacement

Engine

MC POWER6 Tier 3 (2007-2010) - RPA1 - 135

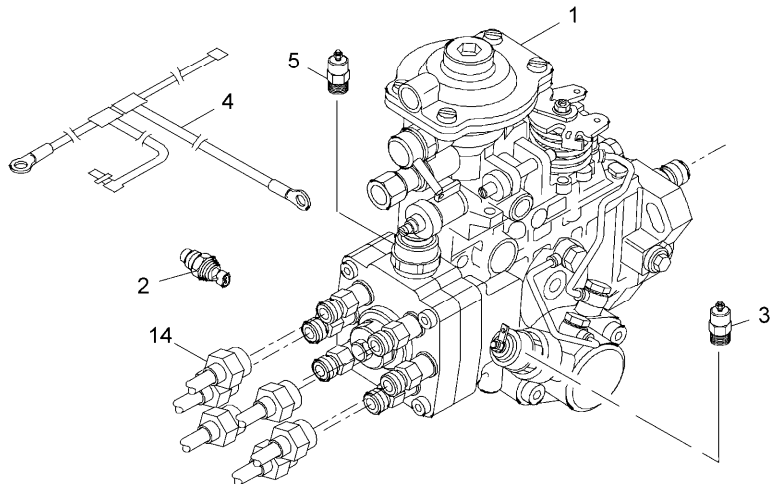
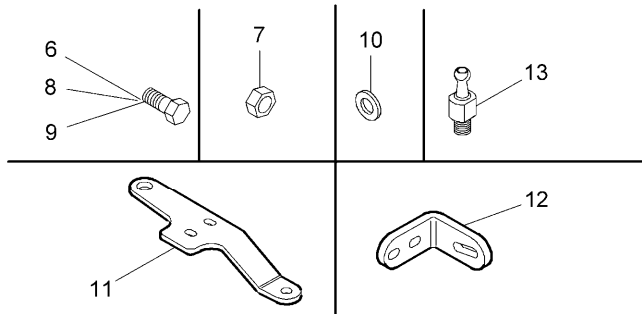
RPA1\00005741.png

**A-05
16**



A0516

Fuel injection pump



- | | | | | | |
|----|-----------|------|---------------|---------|-------------------|
| 1 | 4213706M1 | | | Inglese | 1 Pump |
| 2 | 4213703M1 | | | | 1 Sensor |
| 3 | 4213704M1 | | | | 1 Electro-valve |
| 4 | 705161A1 | | | | 1 Cable |
| 5 | 4208167M1 | 12 v | | | 1 Magneto |
| 6 | 704835A1 | | | | 1 Screw |
| 7 | 3688948M1 | | | | 3 Nut |
| 8 | 3688941M1 | | ● 710625A1(1) | | 1 Screw |
| 9 | 3688856M1 | | | | 3 Screw |
| 10 | 4208336M1 | | | | 1 Washer |
| 11 | 4213705M1 | | | | 1 Bracket |
| 12 | 4208165M1 | | | | 1 Console |
| 13 | 4208337M1 | | | | 1 Universal joint |
| 14 | | | ◁ A-05 22 1 | | 1 Pipe |

◁ See page - reference number

● Replacement

Engine

MC POWER6 Tier 3 (2007-2010) - RPA1 - 135

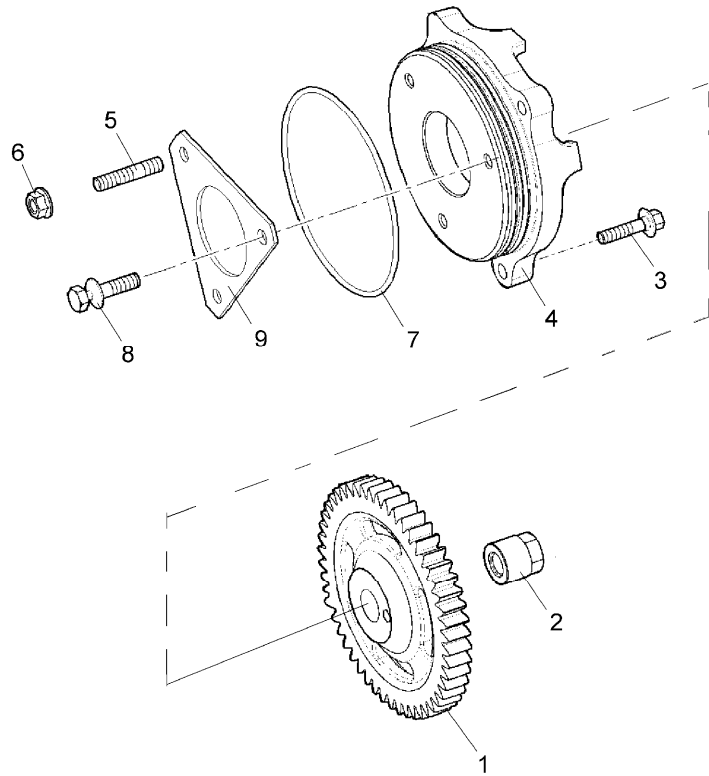
RPA1\00006010.png

A-05
17



A0517

Injection pump drive



		Inglese
1	4208168M1	1 Gear
2	4208169M1 M14x1,5	1 Nut
3	3688853M1 M8x30 mm	3 Screw
4		1 Spacer
5	4208171M1 M8x30 mm	2 Screw
6	3688948M1 M8	2 Nut
7	3689000M1 X =3,53 mm Ø120,24 mm	1 O ring
8	4208172M1	1 Screw
9	710622A1	1 Gasket
X	Shim	

Engine

MC POWER6 Tier 3 (2007-2010) - RPA1 - 135

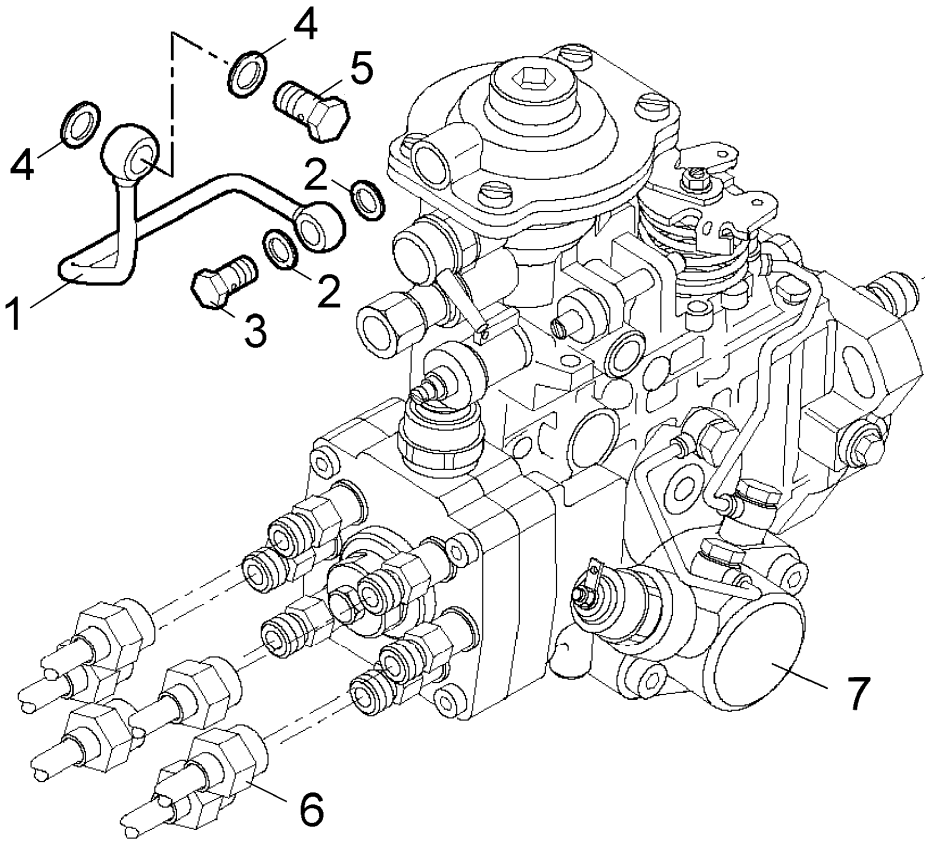
RPA1\00006011.png

A-05
18



A0518

Injection pipes



- | | | | | | |
|---|-----------------------------|---------|--------------|---------|----------|
| 1 | 704634A1 | | | Inglese | 1 Pipe |
| 2 | 704633A1 | | | | 2 Gasket |
| 3 | 704621A1 | | | | 1 Filler |
| 4 | 704558A1 | ⊗ =1 mm | | | 2 Gasket |
| | | | ∅10x13,5 mm | | |
| 5 | 704556A1 | ● | 6515434M1(1) | | 1 Filler |
| 6 | | ◊ | A-05 22 1 | | 1 Pipe |
| | | ◊ | A-05 16 1 | | 1 Pump |
| ▷ | See page - reference number | | | | |
| ▲ | Shim | | | | |
| D | Replacement | | | | |

Engine

MC POWER6 Tier 3 (2007-2010) - RPA1 - 135

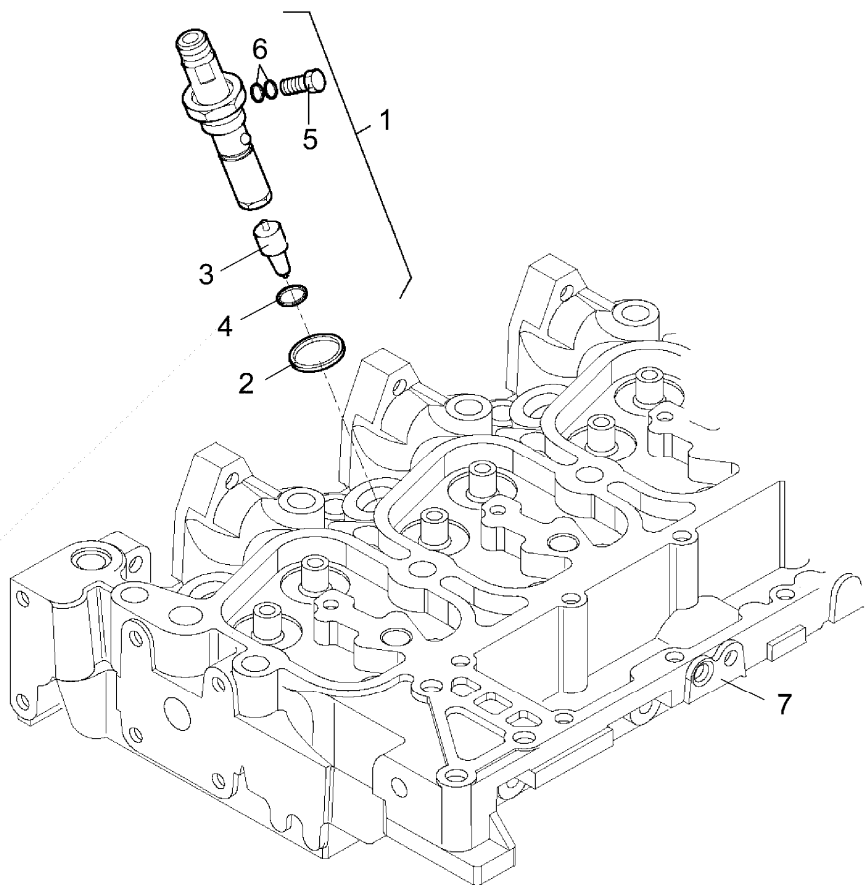
RPA1\00006012.png

A-05
19



A0519

Nozzles



- 1 4208173M1
 - 2 707401A1
 - 3 4208174M1
 - 4 4208343M1
 - 5 4208176M1 M8x1
 - 6 4208177M1 Ø6x10 mm
 - 7 A-05 06 3
- See page - reference number

Inglese

- 6 Nozzle
- 6 Gasket
- 6 Nozzle
- 6 Washer
- 6 Filler
- 12 Ring
- 1 Head

Engine

MC POWER6 Tier 3 (2007-2010) - RPA1 - 135

RPA1\00006013.png

A-05
20



A0520

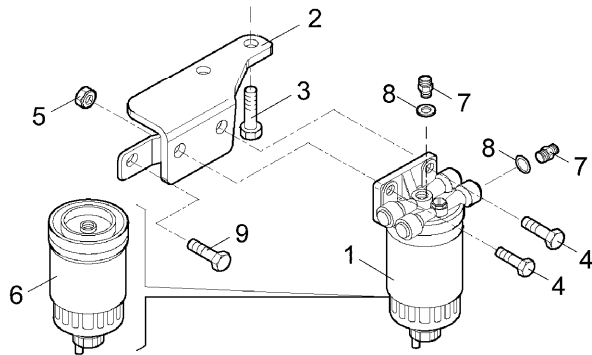
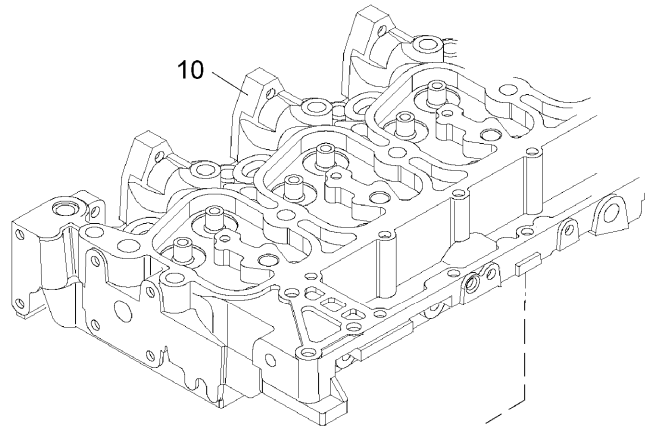
Fuel filter

Inglese

- | | | | | |
|----|------------|----|---|---------|
| 1 | 4207948M91 | | 1 | Filter |
| 2 | 4208178M1 | | 1 | Support |
| 3 | 4208179M1 | | 2 | Screw |
| 4 | 3688934M1 | ● | 2 | Screw |
| 5 | 4208180M1 | | 2 | Nut |
| 6 | 4207949M1 | | 1 | Filter |
| 7 | 4208234M1 | | 2 | Union |
| 8 | 4208235M1 | | 2 | Gasket |
| 9 | 3688854M1 | ● | 1 | Screw |
| 10 | | ◁▷ | 1 | Head |

◁▷ See page - reference number

● Replacement



Engine

MC POWER6 Tier 3 (2007-2010) - RPA1 - 135

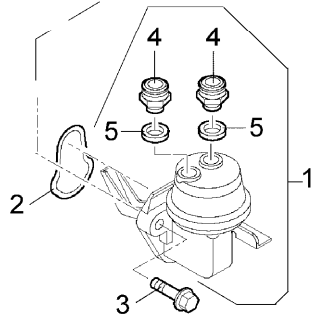
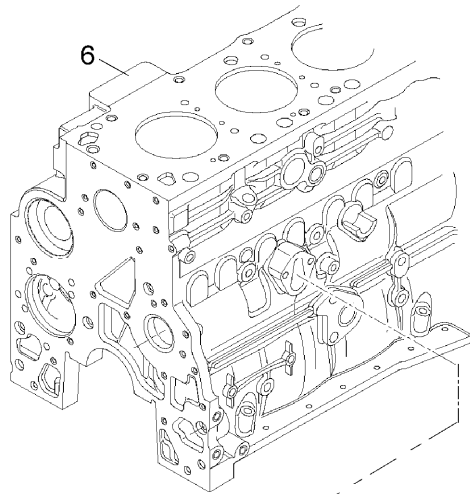
RPA1\00006014.png

A-05
21



A0521

Fuel pump



		Inglese	
1	707371A1	● 3688650M1(2), 3688754M1(2), 6507275M91(1)	1 Pump
2	707370A1		1 Ring
3	3688849M1	● 3688856M1(1) M8x25 mm	2 Screw
4	3688650M1	! 1 M12x1,5	2 Union
5	3688754M1	! 1	2 Ring
6		◁ A-05 2 9	
!	This is a component of an assembly		
◁	See page - reference number		
●	Replacement		

Engine

MC POWER6 Tier 3 (2007-2010) - RPA1 - 135

RPA1\00006015.png

A-05
22



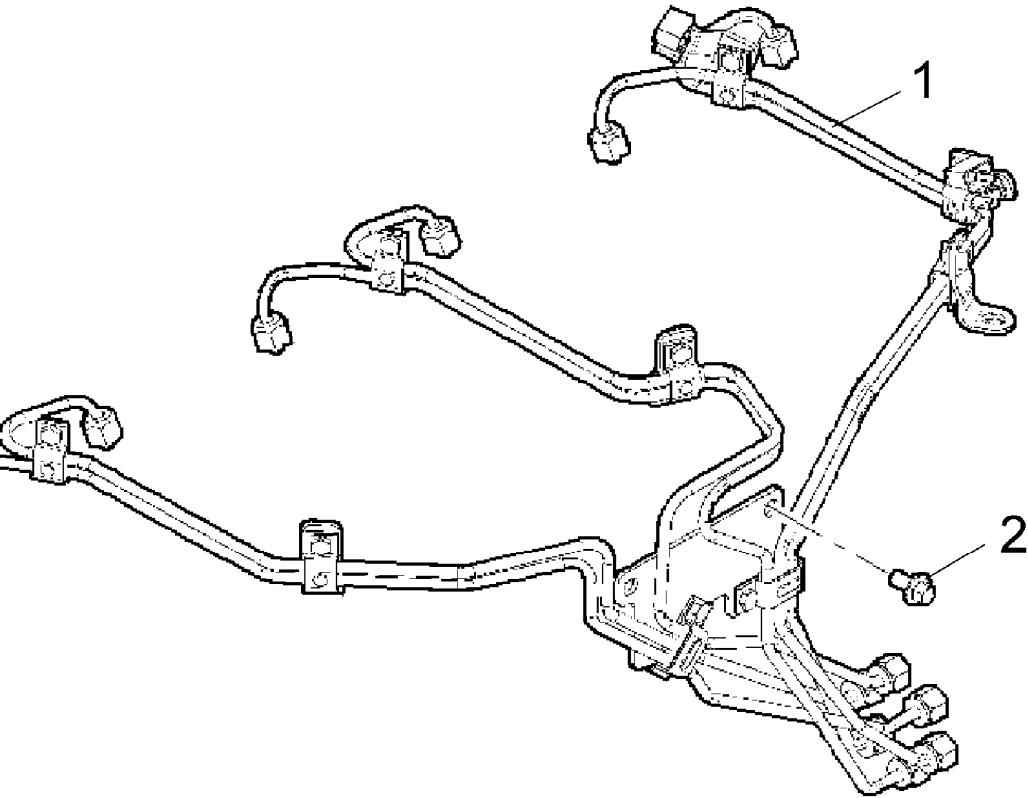
A0522

Injection pipes

- 1 420236M1
J4A1

Inglese

- 1 Pipe
- 2 Screw



Engine

MC POWER6 Tier 3 (2007-2010) - RPA1 - 135

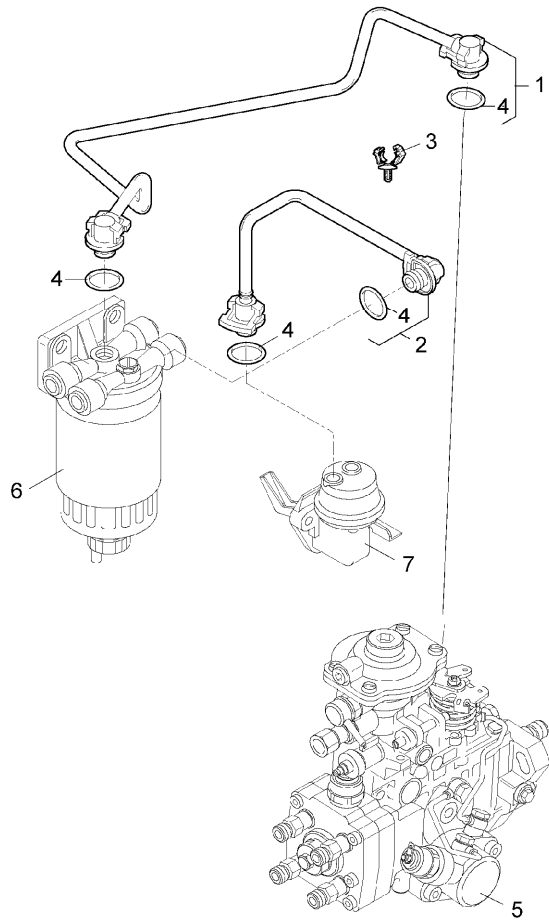
RPA1\00006016.png

A-05
23



A0523

Fuel lines



- 1 4208237M1
- 2 4208238M1
- 3 705191A1
- 4 3688690M1
- 5 A-05 16 1
- 6 A-05 20 1
- 7 A-05 21 1
- See page - reference number

Inglese

- 1 Pipe
- 1 Pipe
- 2 Clip
- 4 O ring
- 1 Pump
- 1 Filter
- 1 Pump, fuel



Suggest:

For more complete manuals. Please go to the home page.

<https://www.ebooklibonline.com>

If the above button click is invalid. Please download this document first, and then click the above link to download the complete manual.

Thank you so much for reading

Engine

MC POWER6 Tier 3 (2007-2010) - RPA1 - 135

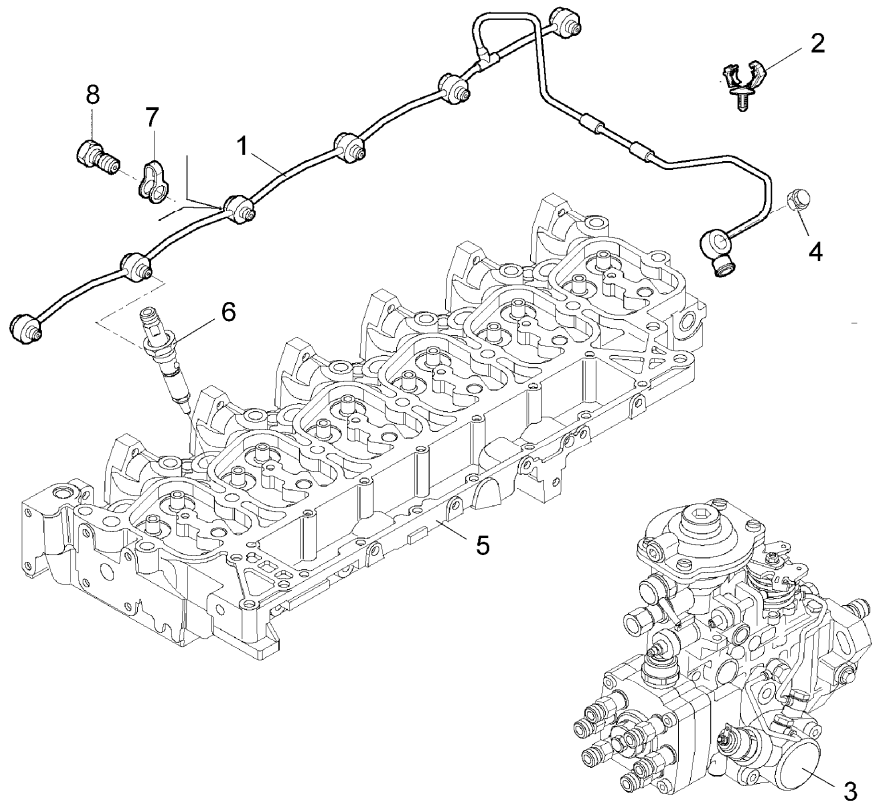
RPA1\00006030.png

**A-05
24**



A0524

Fuel lines



- 1 705208A1
- 2 705191A1
- 3 A-05 16 1
- 4 1
 1
- 5 A-05 06 3
- 6 A-05 19 1
- 7 707402A1 4208177M1(6)
- 8 707400A1 M8x1

Inglese

- 1 Pipe
- 1 Clip
- 1 Pump
- 1 Filler
- 1 Head
- 1 Nozzle
- 6 Gasket
- 6 Filler

- ! This is a component of an assembly
- See page - reference number
- Not serviced, order
- Replacement

Engine

MC POWER6 Tier 3 (2007-2010) - RPA1 - 135

RPA1\000021421.png

A-05
25

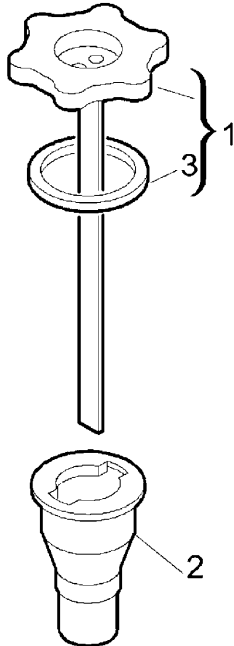


A0525

Oil dipstick

Inglese

- 1 4208239M1
 - 2 3688653M1
 - 3 3689017M1 ! 1
 - ! This is a component of an assembly
- 1 Dipstick
 - 1 Pipe
 - 1 Gasket



<https://www.ebooklibonline.com>

Hello dear friend!

Thank you very much for reading.

Enter the link into your browser.

The full manual is available for immediate download.

<https://www.ebooklibonline.com>