

Engine

MC POWER6 Tier 3 (2007-2010) - RPA1 - 120

RPA1\00005363.png

A-05
01

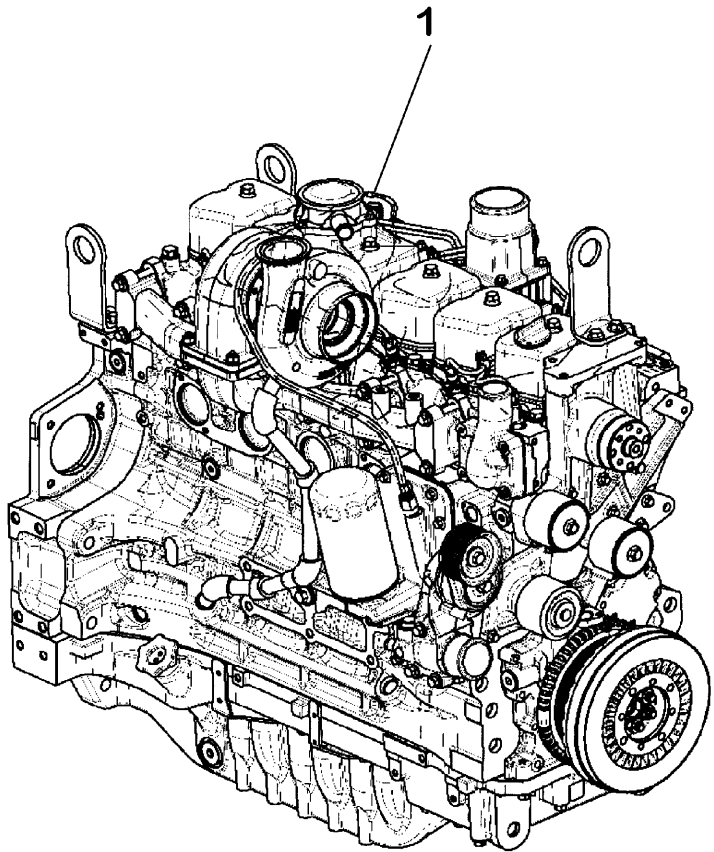


A0501

Engine assembly

Inglese

- 1 3697116M91 ● 3697116M92(1) 1 Engine
- Replacement "tier 3"



Engine

MC POWER6 Tier 3 (2007-2010) - RPA1 - 120

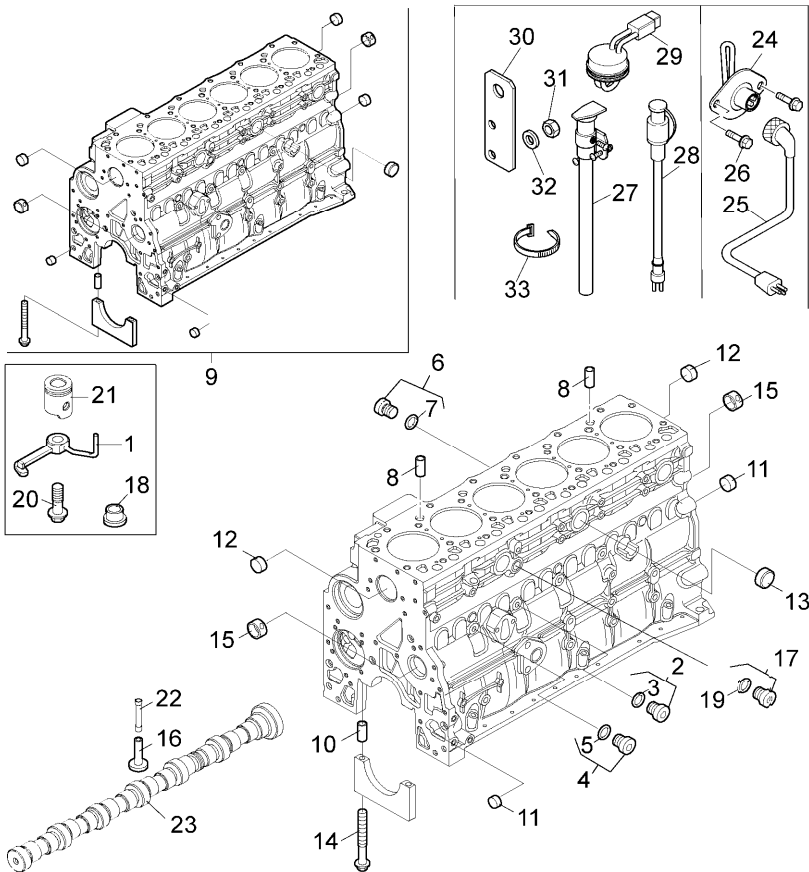
RPA1\00006029.png

A-05
02



A0502

Crankcase



Inglese

- | | | | |
|----|-----------|---|---------------------------|
| 1 | 3689030M1 | | 6 Jet |
| 2 | 3689350M1 | ● | 1 Plug
M14x1,5 |
| 3 | 3688868M1 | | 1 O ring |
| 4 | 3688822M1 | ● | 3 Plug
M10x1 |
| 5 | 3688855M1 | | 3 O ring |
| 6 | 3688780M1 | ● | 3 Plug
Assy m18x1,5 |
| 7 | 3688781M1 | ● | 3 O ring |
| 8 | 3688761M1 | | 2 Dowel pin |
| 9 | 3688625M1 | | 1 Crankcase |
| 10 | 3688824M1 | ● | 14 Dowel pin |
| 11 | 3688758M1 | | 2 Plug
17,73x6,35x1,07 |
| 12 | 3688757M1 | | 6 Plug
58,06x8,25x1,52 |
| 13 | 3688775M1 | | 3 Plug
35,23x7,94x1,52 |
| 14 | 3688673M1 | ● | 14 Screw
M12x120 mm |
| 15 | 3688759M1 | | 2 Bearing |
| 16 | 704803A1 | | 1 Register |
| 17 | 3688800M1 | ● | 2 Plug
M16x1,5 mm |
| 18 | 3688628M1 | | 1 Splasher |

Engine

MC POWER6 Tier 3 (2007-2010) - RPA1 - 120

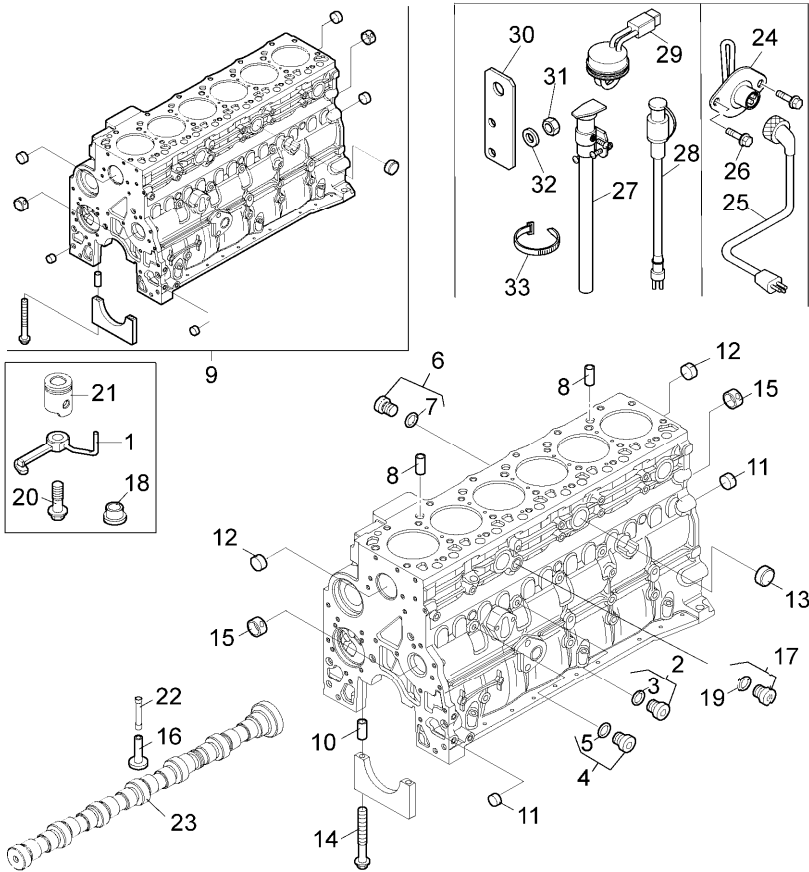
RPA1\00006029.png

A-05
02



A0502

Crankcase



		Inglese	
19	3688994M1	≡ =2,6 mm ∅ 13.9 !	1 Toroidal seal
20	3688692M1	M8x1,25	6 Filler
21		⊕ A-05 13 5	1 Piston
22		⊕ A-05 08 2	1 Rod
23		⊕ A-05 15 1	1 Camshaft
24	706388A1	120v/750w	1 Relay
25	J905113	◄ 1829mm	1 Cable
26	2314H003		2 Screw
27	314722A1		1 Wiring
28	314723A1		1 Wiring
29	706389A1	220v/750w	1 Relay
		A	
30	313526A1		1 Plate
31	825-1405	● 390995X1(1)	1 Nut
32	893-16005		2 Washer
33	289862C1		3 Clamp
	!	This is a component of an assembly	
	⊕	See page - reference number	
	≡	Shim	
	◄	Length	
	∅	Diameter	
	●	Replacement	
	A	Cee	

<https://www.ebooklibonline.com>

Hello dear friend!

Thank you very much for reading.

Enter the link into your browser.

The full manual is available for immediate download.

<https://www.ebooklibonline.com>

Engine

MC POWER6 Tier 3 (2007-2010) - RPA1 - 120

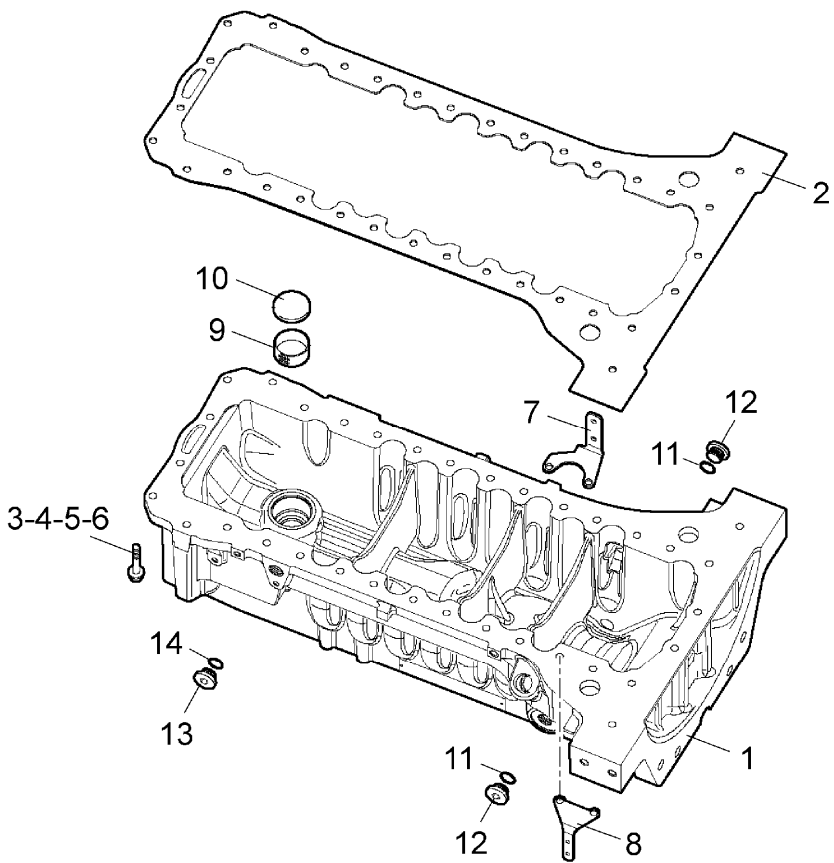
A-05
03



A0503

Oil sump

RPA1\00006027.png



- 1 4208117M1
- 2 3688752M1
- 3 3688778M1
- 4 3688679M1
- 5 4208118M1
- 6 3688678M1
- 7 4208119M1
- 8 4208120M1
- 9 3688803M1
- 10 3688804M1
- 11 3688997M1
- 12 3688691M1
- 13 4208121M1
- 14 4208122M1

M10x90 mm

M10x190 mm

M22x1,5

≡ =1,5 mm

● 6528826M1(1)

Ø18x26 mm

- ≡ Shim
- Replacement

Inglese

- 1 Pan
- 1 Gasket
- 2 Screw
- 24 Screw
- 6 Screw
- 2 Screw
- 1 Stirrup
- 2 Stirrup
- 1 Filter
- 1 Plug
- 2 O ring
- 2 Plug
- 1 Plug
- 1 Gasket

Engine

MC POWER6 Tier 3 (2007-2010) - RPA1 - 120

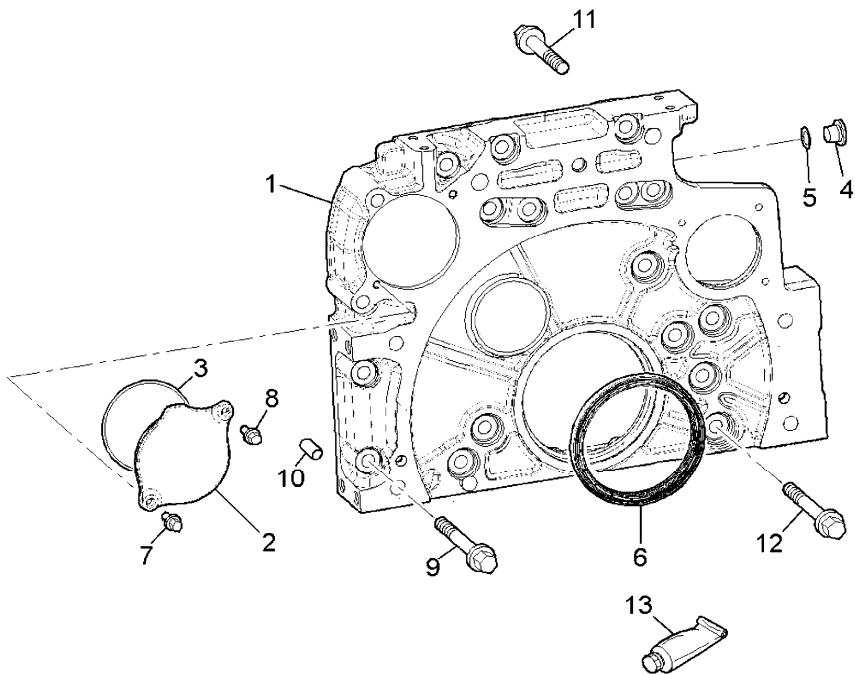
RPA1\00005740.png

A-05
04



A0504

Rear c. case cover



		Inglese
1	4206380M1	1 Coperch.
2	4208123M1	1 Coperch.
3	3689092M1	1 O ring
4	3688780M1	1 Plug
	● 704848A1(1) M18 x 1.5	
5	3688781M1	1 O ring
6	3688647M1	1 O ring
	● 707405A1(1)	
	● 6514306M1(1) 130x155x12,5	
7	4208124M1	1 Screw
8	3688941M1	1 Screw
	● 710625A1(1) M8 x 1.25 x 20	
9	3688671M1	15 Screw
10	3688753M1	2 Dowel pin
11	3688869M1	2 Screw
12	3688874M1	1 Screw
	M16 x 1.5	
13	3688632M1	1 Adhesive
	● 3688632M2(1) Loctite	
	● Replacement	

Engine

MC POWER6 Tier 3 (2007-2010) - RPA1 - 120

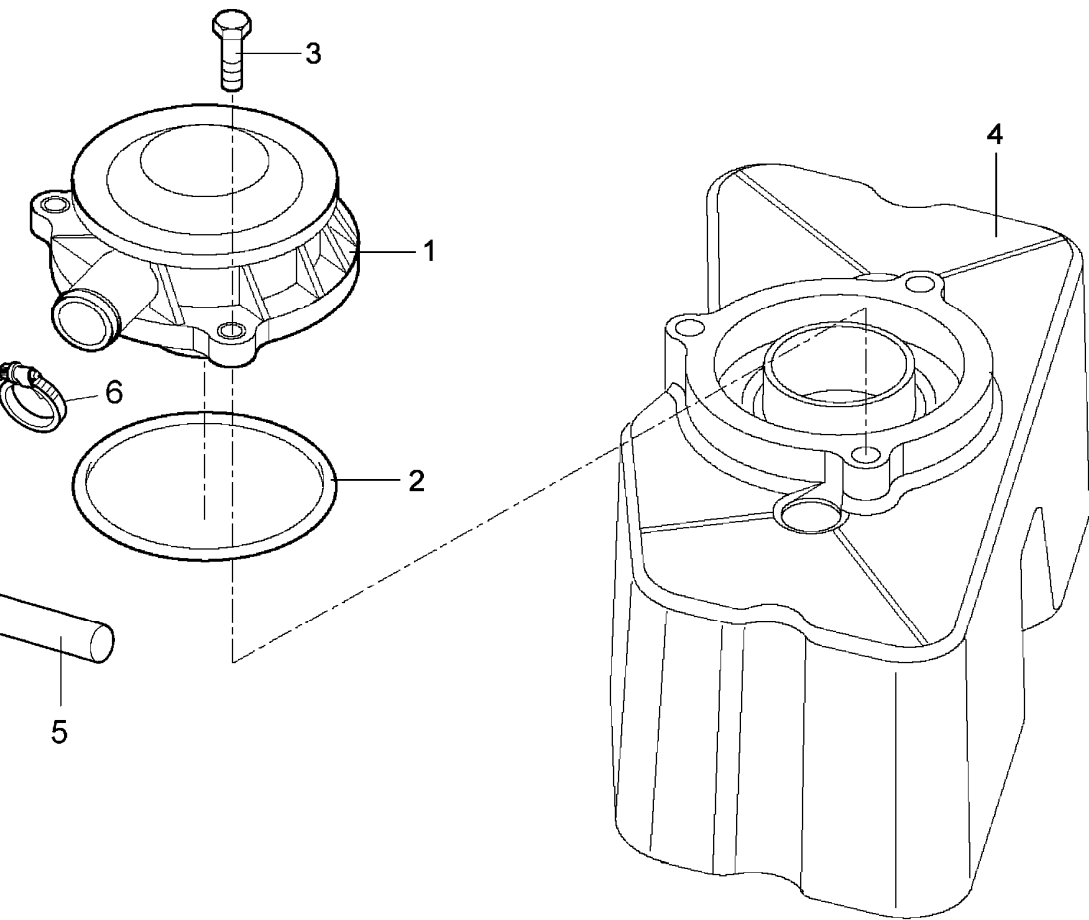
RPA1\00006001.png

A-05
05



A0505

Engine breathers



- 1 707434A1
- 7435A1
- 38866M1 ● 705021A1(3)
- ⦿ A-05 07 7
- 34643M1
- 51942M1
- see page - reference number
- replacement

Inglese

- 1 Valve
- 1 Gasket
- 3 Screw
- 1 Cover
- 1 Pipe
- 1 Clamp

Engine

MC POWER6 Tier 3 (2007-2010) - RPA1 - 120

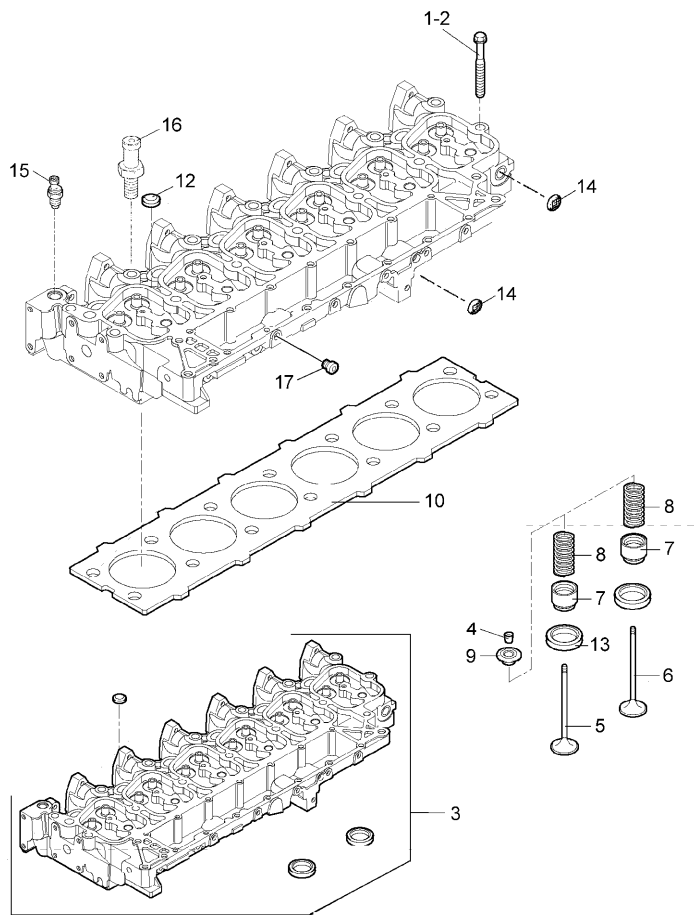
RPA1\00005792.png

A-05
06



A0506

Head cylinder



1	704717A1	●	707391A1(6) M15x1,75	6	Screw
2	707390A1		M15x1,75	14	Screw
3	704877A1			1	Head
4	704804A1			24	Half cone
5	704807A1			6	Valve
6	704806A1			6	Valve
7	704836A1			12	Cap
8	704821A1			12	Spring
9	704805A1			12	Cup
10	707379A1	✂	=1,25 mm	1	Gasket
11	704922A1			6	Valve seat
12	704802A1			3	Plug
13	704921A1				Valve seat
14	704784A1			2	Plug
15	705080A1	●	4217672M1(1) A	1	Transmitter
16	705133A1			1	Union
17	243803A2			1	Indicator

✂ Shim
● Replacement
A Engine water temperature

Engine

MC POWER6 Tier 3 (2007-2010) - RPA1 - 120

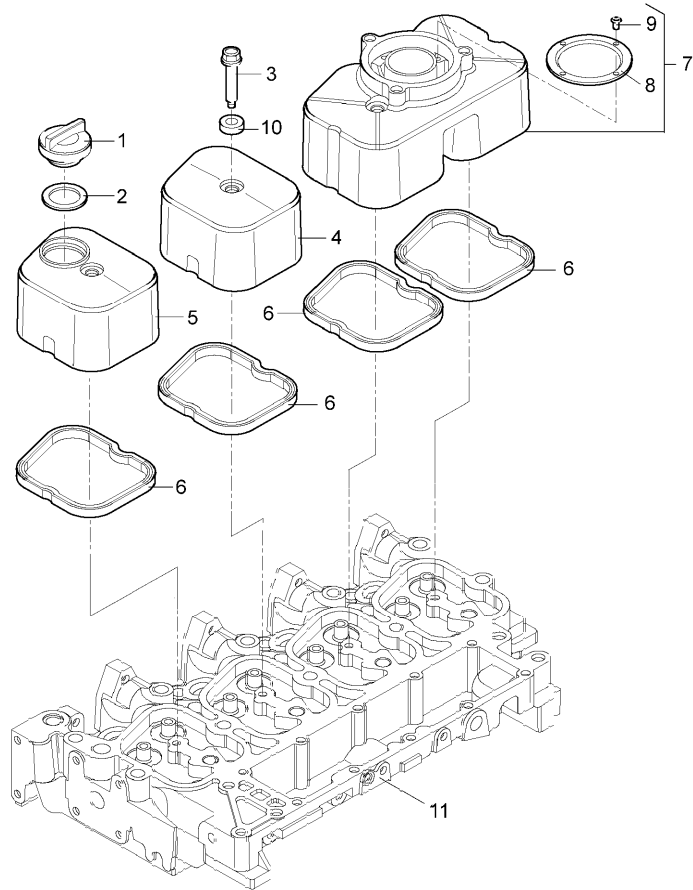
RPA1\00006003.png

A-05
07



A0507

Cylinder head cover



- 1 4208125M1
- 2 4208126M1
- 3 704820A1 M8x1,25
- 4 705188A1
- 5 4208127M1
- 6 705147A1
- 7 704650A1
- 8 707378A1
- 9 704576A1
- 10 707403A1
- 11 A-05 06 3
- See page - reference number

Inglese

- 1 Plug
- 1 Gasket
- 6 Screw
- 3 Coperch.
- 1 Coperch.
- 6 Gasket
- 1 Cover
- 1 Ring
- 4 Screw
- 6 Ring
- Head

Engine

MC POWER6 Tier 3 (2007-2010) - RPA1 - 120

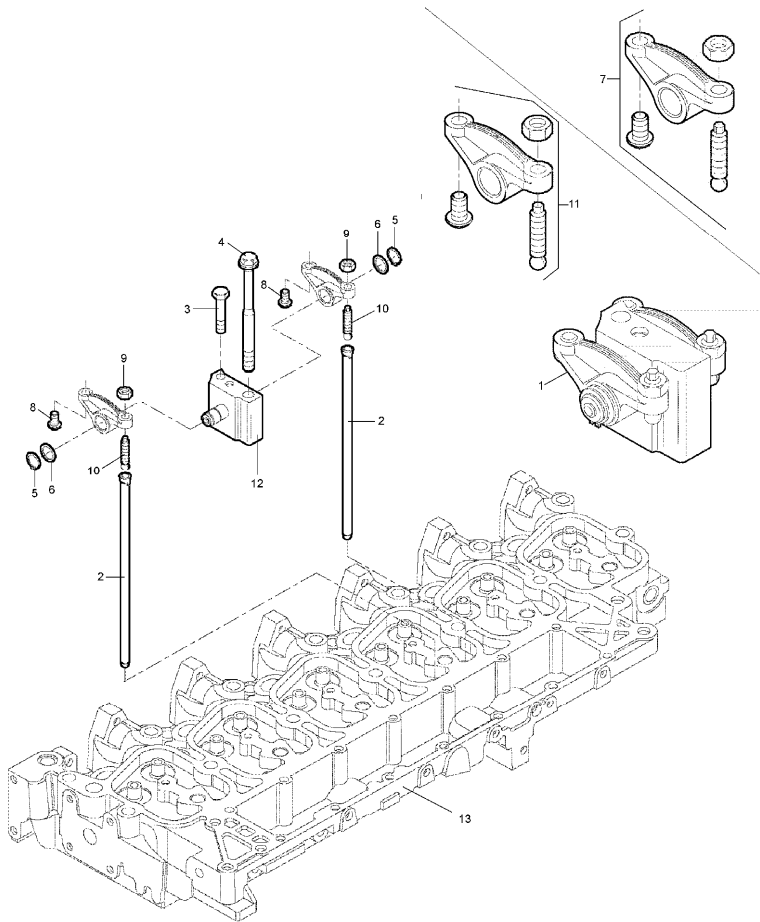
RPA1\00006004.png

A-05
08



A0508

Rocker arm



- | | | | | | | |
|----|-----------------------------|---------------|--------------|--|----|----------|
| 1 | 704809A1 | | | | 6 | Shaft |
| 2 | 704841A1 | | | | 12 | Rod |
| 3 | 4208128M1 | M8x1,25x60 mm | | | 6 | Screw |
| 4 | 704716A1 | M12x1,75 | | | 6 | Screw |
| 5 | 704843A1 | | | | 12 | Ring |
| 6 | 704844A1 | | | | 12 | Washer |
| 7 | 704810A1 | | | | 6 | Rocker |
| 8 | 704845A1 | | | | 12 | Ball pin |
| 9 | 704812A1 | | | | 12 | Nut |
| 10 | 704813A1 | | | | 12 | Screw |
| 11 | 704814A1 | | | | 6 | Rocker |
| 12 | 704816A1 | | | | 6 | Support |
| 13 | | | <> A-05 06 3 | | | Head |
| <> | See page - reference number | | | | | |

Inglese

Engine

MC POWER6 Tier 3 (2007-2010) - RPA1 - 120

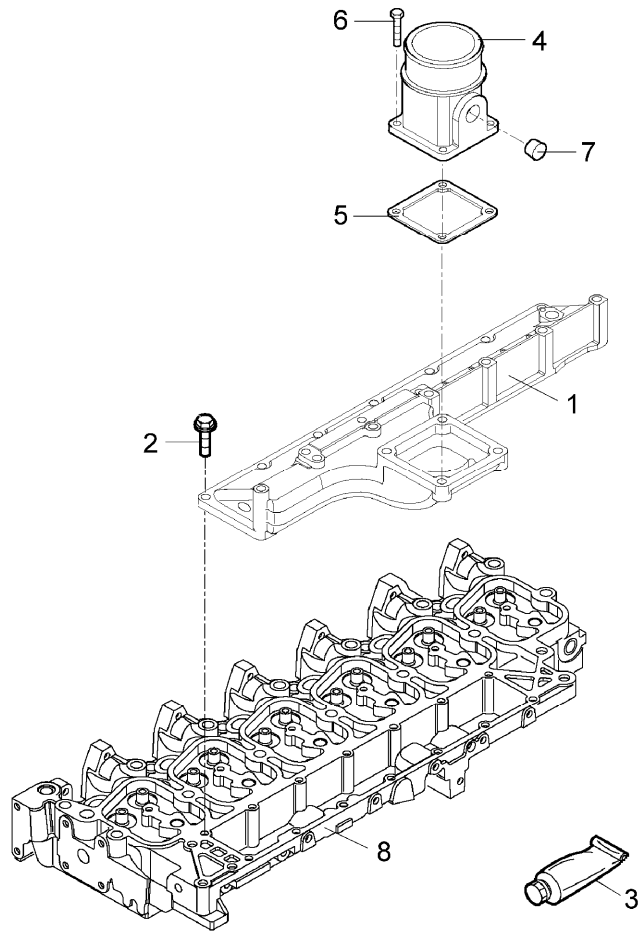
RPA1\00006005.png

A-05
09



A0509

Induction manifold



			Inglese
1	705187A1		1 Cover
2	3688850M1	M8x1,25x25 mm	10 Screw
3	3688633M1	● 6500933M1(1)	1 Adhesive
4	4208129M1		1 Duct
5	705061A1	● 6500220M1(1)	1 Gasket
6	3688850M1	M8x1,25x25 mm	4 Screw
7	3688683M1		1 Plug
8		◁ A-05 06 3	Head
◁	See page - reference number		
●	Replacement		

Engine

MC POWER6 Tier 3 (2007-2010) - RPA1 - 120

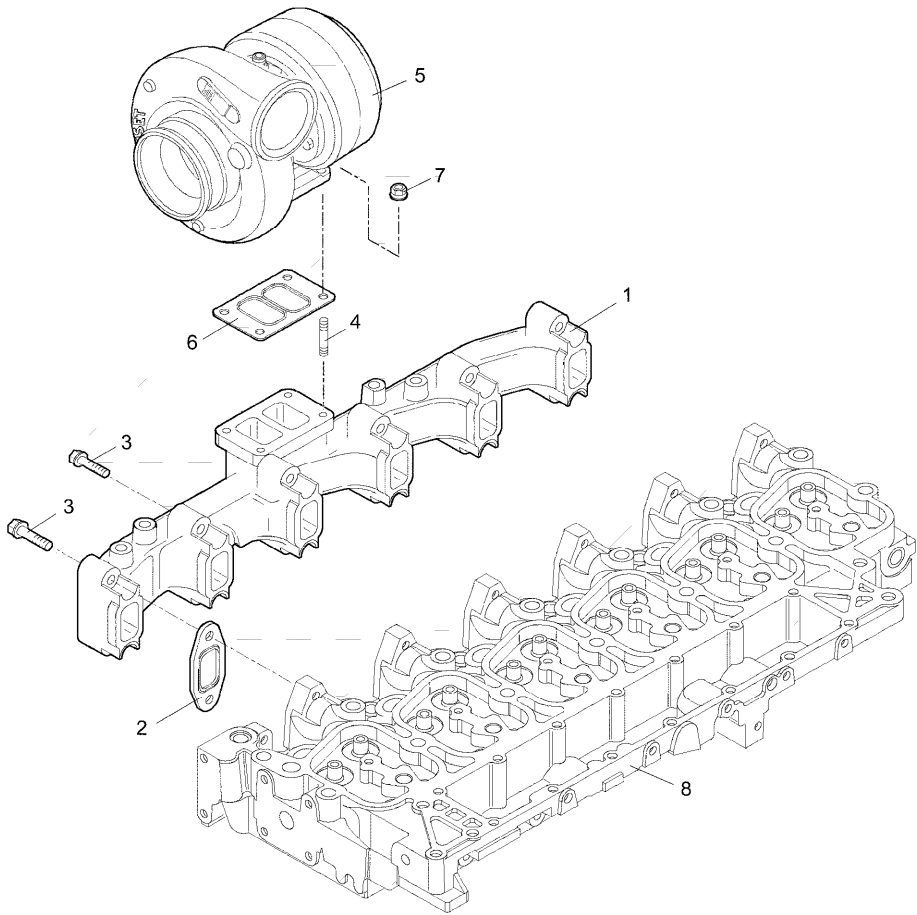
RPA1\00006006.png

A-05
10



A0510

Exhaust manifold



- | | | | | | |
|---|-------------|--------------------------|---------|----|--------------|
| 1 | 705199A1 | | Inglese | 1 | Collet |
| 2 | 705273A1 | | | 6 | Gasket |
| 3 | 3688774M2 | M10x1,5x65 mm | | 12 | Worm |
| 4 | 3688861M1 | ● 705008A1(4)
M10x1,5 | | 4 | Screw |
| 5 | 708801A1 | | | 1 | Turbocharger |
| 6 | 3688770M1 | | | 1 | Gasket |
| 7 | 3688862M1 | M10x1,5 | | 4 | Nut |
| 8 | ◁ A-05 06 3 | | | 1 | Head |
- ◁ See page - reference number
● Replacement

Engine

MC POWER6 Tier 3 (2007-2010) - RPA1 - 120

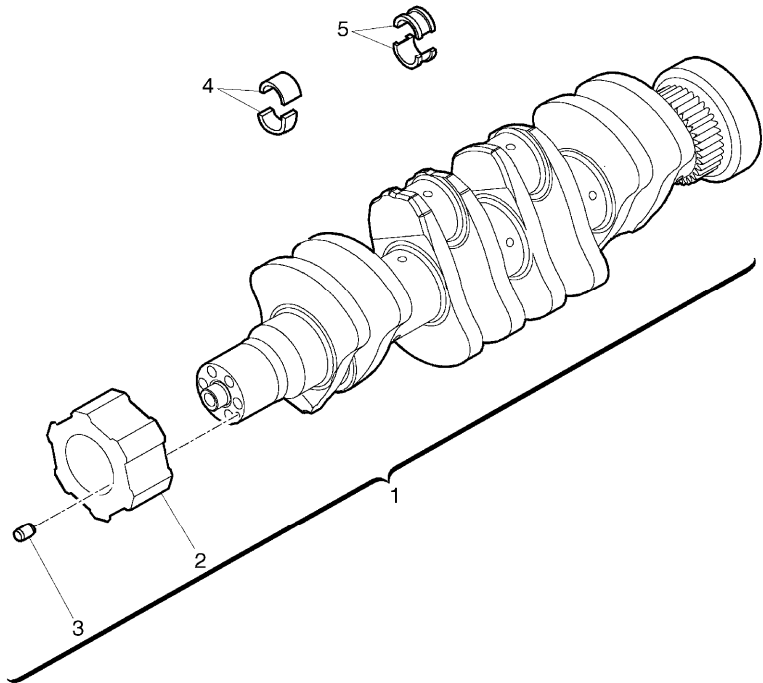
RPA1\000022015.png

A-05
11



A0511

Crankshaft



		Inglese	
1	3688630M1	● 3688630M2(1)	1 Shaft
2	4206387M1		1 Bushing
3	3688851M1	● 704992A1(1)	1 Screw
4	3688637M1	Std.	6 Cuscinet
4	3688638M1	-0.250	6 Cuscinet
4	3688639M1	-0.500	6 Cuscinet
5	3688634M1	Std.	1 Cuscinet
5	3688635M1	-0.250	1 Bearing
5	3688636M1	-0.500	1 Cuscinet
●	Replacement		

Engine

MC POWER6 Tier 3 (2007-2010) - RPA1 - 120

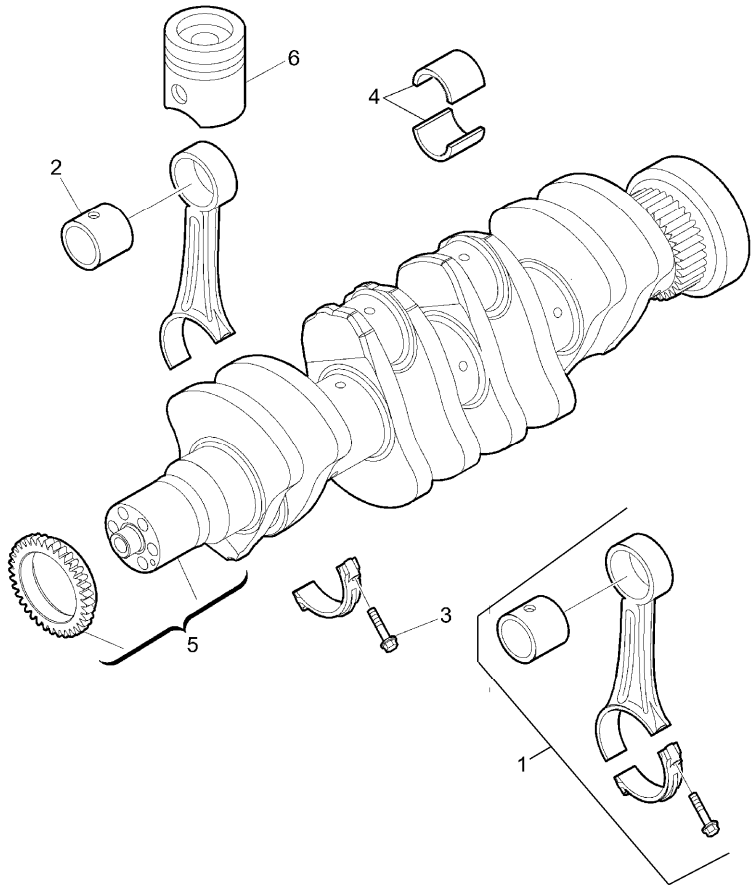
RPA1\000022016.png

A-05
12



A0512

Crank shaft - connecting rods



Inglese

- | | | | | |
|---|-----------------------------|-------------|----|----------|
| 1 | 3688624M1 | | 6 | Conrod |
| 2 | 3688675M1 | | 6 | Bush |
| 3 | 3688623M1 | | 12 | Screw |
| 4 | 3688880M1 | Std | 6 | Cuscinet |
| 4 | 4206388M1 | -o,250 | 6 | Cuscinet |
| 4 | 4206389M1 | -0,500 | 6 | Cuscinet |
| 5 | | ⊕ A-05 11 1 | 1 | Shaft |
| 6 | | ⊕ A-05 13 5 | 6 | Piston |
| ⊕ | See page - reference number | | | |

Engine

MC POWER6 Tier 3 (2007-2010) - RPA1 - 120

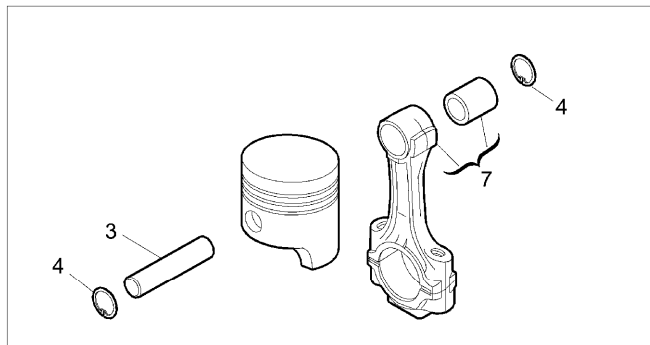
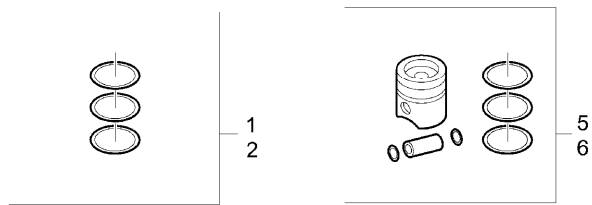
RPA1\000021409.png

A-05
13



A0513

Piston assay piston rings - piston complete



			Inglese	
1	706290A1	●	3688921M1(1)	6 Kit
2	707354A1	✕	+0,4	6 Kit
		●	713981A1(6)	
3	3688676M1			6 Pin
4	3689087M1			12 Ring
5	4208130M1			6 Piston
6	4208156M1	✕	+0,4	6 Piston
7		◁▷	A-05 12 1	6 Conrod

◁▷ See page - reference number

✕ Shim

● Replacement

Engine

MC POWER6 Tier 3 (2007-2010) - RPA1 - 120

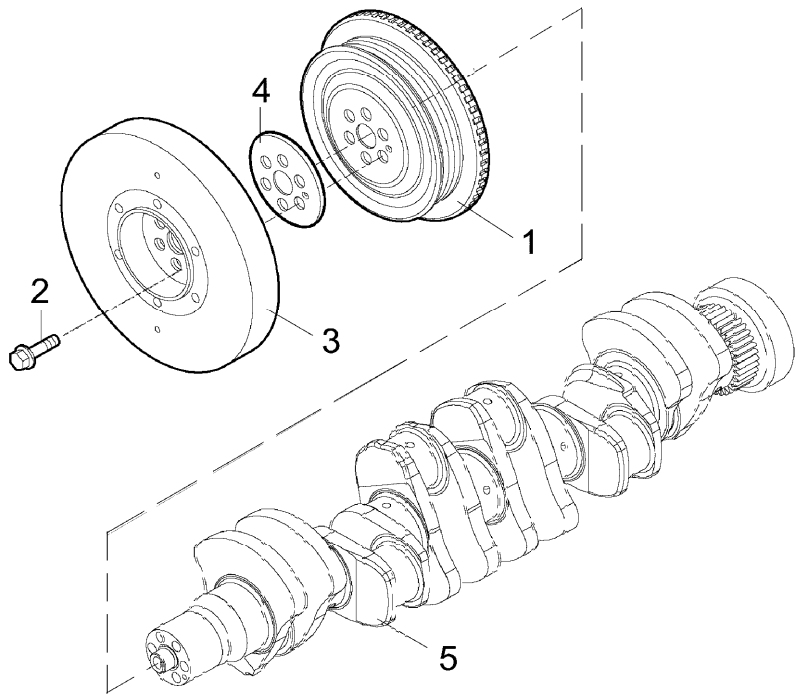
RPA1\00006007.png

A-05
14



A0514

Vibration damper



Inglese

- | | | | | |
|---|-----------|----------------|---|------------------|
| 1 | 3689094M1 | | 1 | Pulley |
| 2 | 3688681M1 | M12x1,5 | 6 | Screw |
| 3 | 4208157M1 | ● 4208157M2(1) | 1 | Vibration damper |
| 4 | 4208158M1 | | 1 | Spacer |
| 5 | | ◁ A-05 11 1 | 1 | Shaft |
- ◁ See page - reference number
● Replacement

Engine

MC POWER6 Tier 3 (2007-2010) - RPA1 - 120

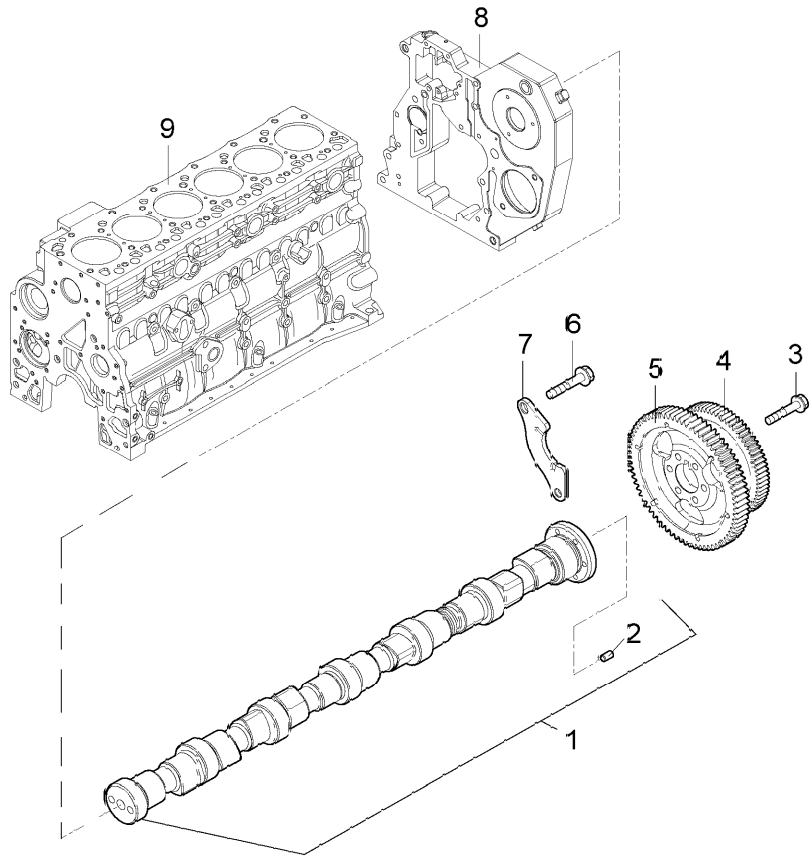
RPA1\00006008.png

A-05
15



A0515

Timing parts



- 1 4208161M1
 - 2 3688857M1 ● 705005A1(1)
 - 3 4208159M1
 - 4 4208162M1
 - 5 4208160M1
 - 6 3688854M1 ● 704997A1(2)
M8x17 mm
 - 7 3688818M1 ● 704931A1(1)
 - 8 ◁ A-05 04 1
 - 9 ◁ A-05 02 9
- ◁ See page - reference number
● Replacement

Inglese

- 1 Shaft
- 1 Screw
- 6 Screw
- 1 Gear
- 1 Gear
- 2 Screw
- 1 Stirrup
- 1 Cover
- 1

Engine

MC POWER6 Tier 3 (2007-2010) - RPA1 - 120

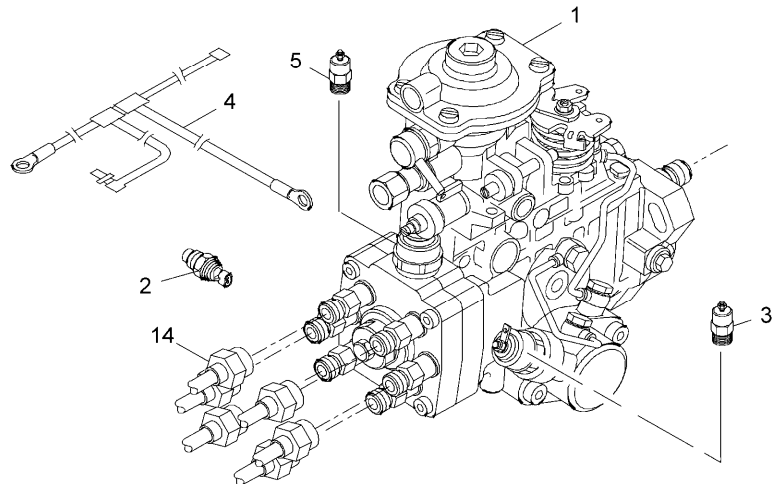
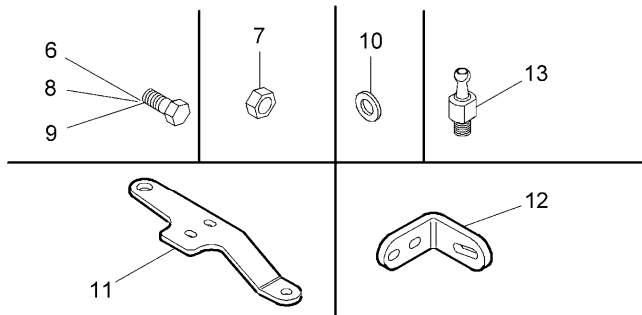
RPA1\00005741.png

**A-05
16**



A0516

Fuel injection pump



- | | | | | |
|----|-----------|---------------|---------|-------------------|
| 1 | 4208335M1 | | Inglese | 1 Pump |
| 2 | 4213703M1 | | | 1 Sensor |
| 3 | 4213704M1 | | | 1 Electro-valve |
| 4 | 705161A1 | | | 1 Cable |
| 5 | 4208167M1 | 12 v | | 1 Magneto |
| 6 | 704835A1 | | | 1 Screw |
| 7 | 3688948M1 | | | 3 Nut |
| 8 | 3688941M1 | ● 710625A1(1) | | 1 Screw |
| 9 | 3688856M1 | | | 3 Screw |
| 10 | 4208336M1 | | | 1 Washer |
| 11 | 4213705M1 | | | 1 Bracket |
| 12 | 4208165M1 | | | 1 Console |
| 13 | 4208337M1 | | | 1 Universal joint |
| 14 | | ◁ A-05 22 1 | | 1 Pipe |

◁ See page - reference number

● Replacement

Engine

MC POWER6 Tier 3 (2007-2010) - RPA1 - 120

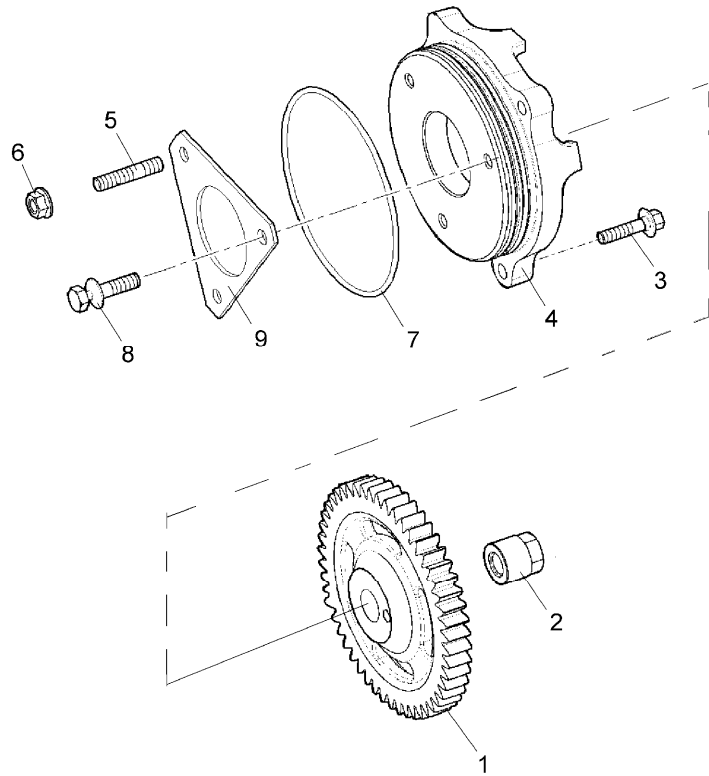
RPA1\00006010.png

A-05
17



A0517

Injection pump drive



		Inglese
1	4208168M1	1 Gear
2	4208169M1	1 Nut
3	3688853M1	3 Screw
4		1 Spacer
5	4208171M1	2 Screw
6	3688948M1	2 Nut
7	3689000M1	1 O ring
8	4208172M1	1 Screw
9	710622A1	1 Gasket
X	Shim	

Engine

MC POWER6 Tier 3 (2007-2010) - RPA1 - 120

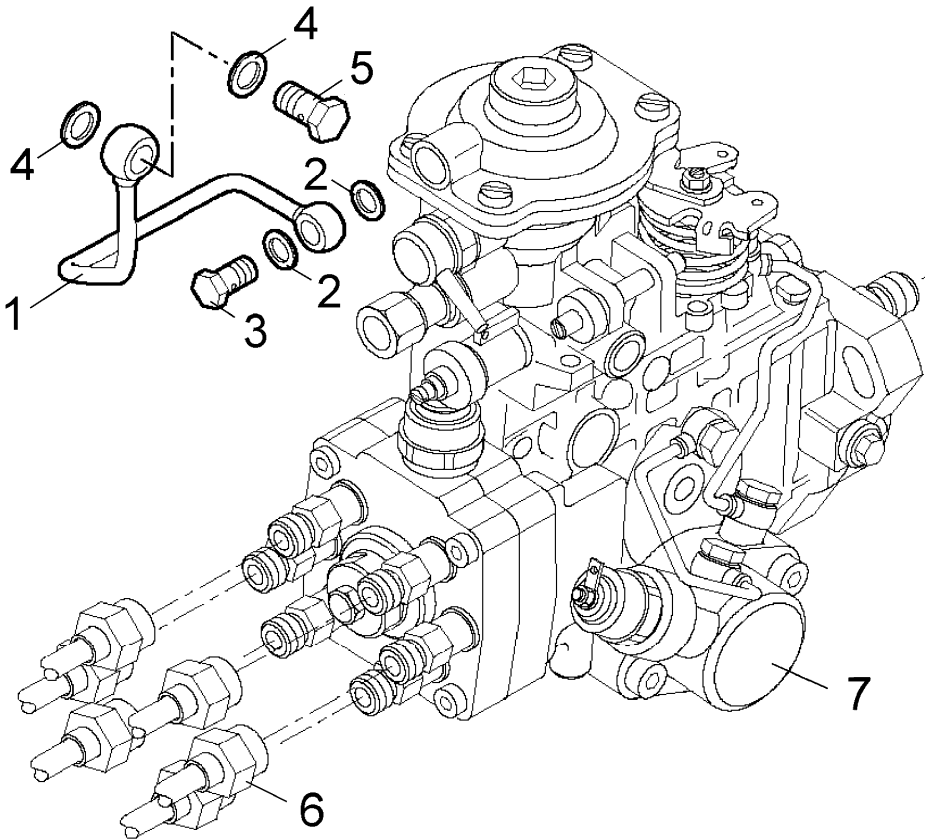
RPA1\00006011.png

A-05
18



A0518

Injection pipes



- | | | | | | |
|---|-----------------------------|---|----------------------|---------|----------|
| 1 | 704634A1 | | | Inglese | 1 Pipe |
| 2 | 704633A1 | | | | 2 Gasket |
| 3 | 704621A1 | | | | 1 Filler |
| 4 | 704558A1 | ≡ | =1 mm
Ø10x13,5 mm | | 2 Gasket |
| 5 | 704556A1 | ● | 6515434M1(1) | | 1 Filler |
| 6 | | ◊ | A-05 22 1 | | 1 Pipe |
| | | ◊ | A-05 16 1 | | 1 Pump |
| ➤ | See page - reference number | | | | |
| ▲ | Shim | | | | |
| D | Replacement | | | | |

Engine

MC POWER6 Tier 3 (2007-2010) - RPA1 - 120

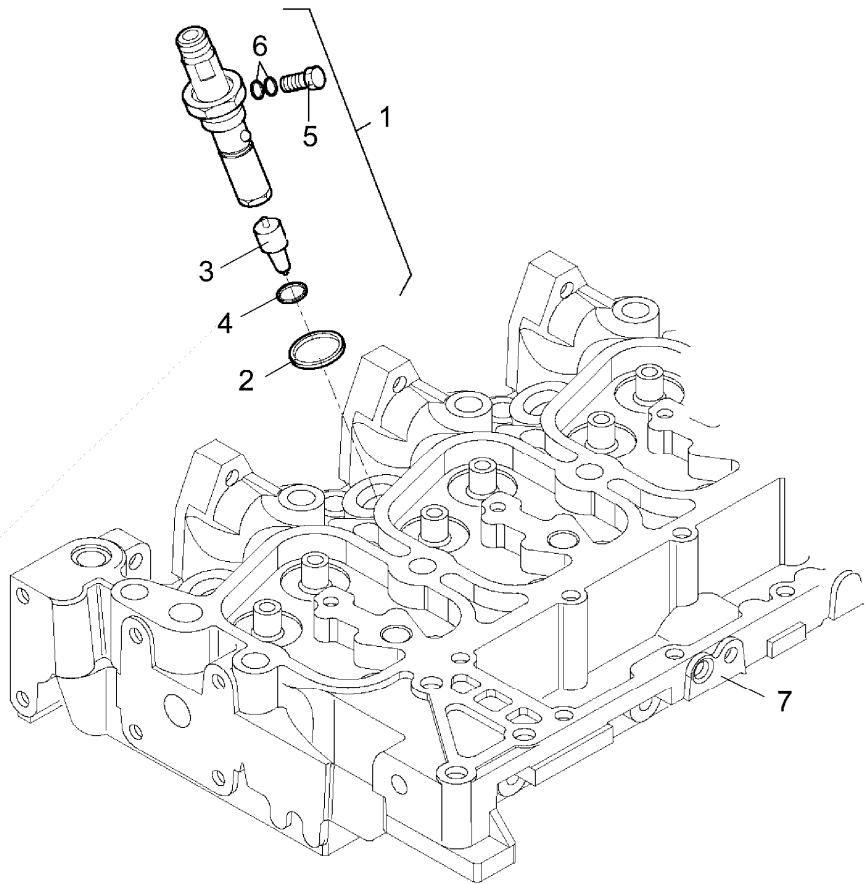
RPA1\00006012.png

A-05
19



A0519

Nozzles



- 1 4208173M1
- 2 707401A1
- 3 4208174M1
- 4 4208343M1
- 5 4208176M1 M8x1
- 6 4208177M1 Ø6x10 mm
- 7 A-05 06 3
- See page - reference number

Inglese

- 6 Nozzle
- 6 Gasket
- 6 Nozzle
- 6 Washer
- 6 Filler
- 12 Ring
- 1 Head



Suggest:

For more complete manuals. Please go to the home page.

<https://www.ebooklibonline.com>

If the above button click is invalid. Please download this document first, and then click the above link to download the complete manual.

Thank you so much for reading

Engine

MC POWER6 Tier 3 (2007-2010) - RPA1 - 120

RPA1\00006013.png

A-05
20



A0520

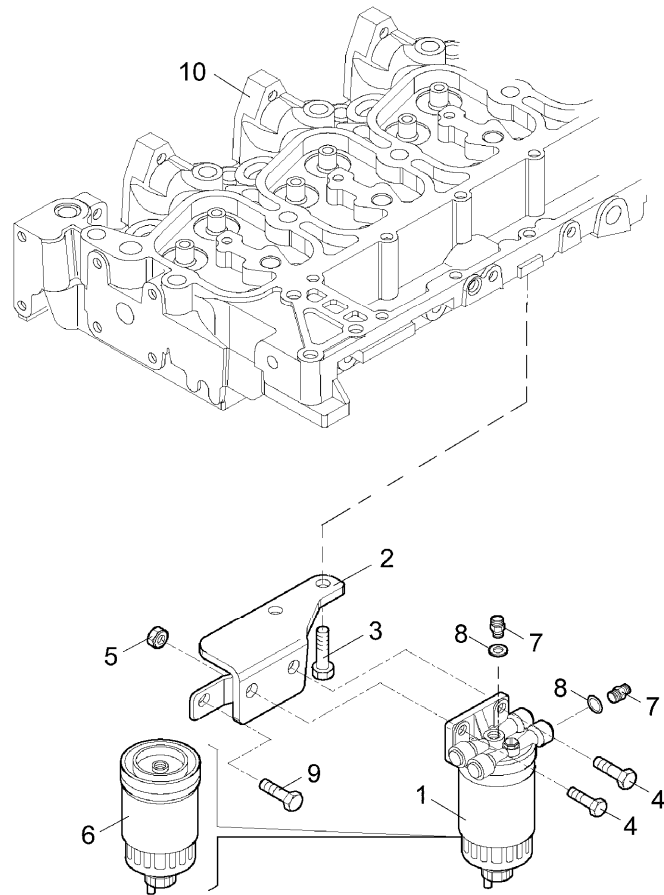
Fuel filter

Inglese

- | | | | | |
|----|------------|---|---|-----------|
| 1 | 4207948M91 | | 1 | Filter |
| 2 | 4208178M1 | | 1 | Support |
| 3 | 4208179M1 | | 2 | Screw |
| 4 | 3688934M1 | ● | 2 | Screw |
| | | | | M10x35 mm |
| 5 | 4208180M1 | | 2 | Nut |
| | | | | M10x1,5 |
| 6 | 4207949M1 | | 1 | Filter |
| 7 | 4208234M1 | | 2 | Union |
| 8 | 4208235M1 | | 2 | Gasket |
| 9 | 3688854M1 | ● | 1 | Screw |
| | | | | M8x17 mm |
| 10 | | ◁ | 1 | Head |

◁ See page - reference number

● Replacement



Engine

MC POWER6 Tier 3 (2007-2010) - RPA1 - 120

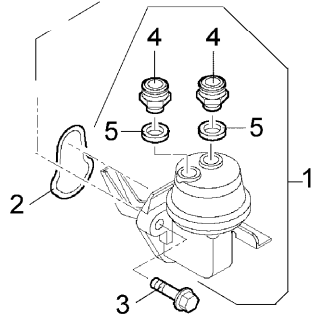
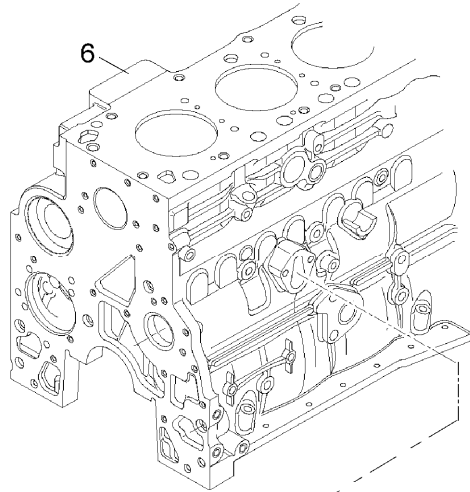
RPA1\00006014.png

A-05
21



A0521

Fuel pump



		Inglese	
1	707371A1	● 3688650M1(2), 3688754M1(2), 6507275M91(1)	1 Pump
2	707370A1		1 Ring
3	3688849M1	● 3688856M1(1) M8x25 mm	2 Screw
4	3688650M1	! 1 M12x1,5	2 Union
5	3688754M1	! 1	2 Ring
6		◁ A-05 2 9	
!		This is a component of an assembly	
◁		See page - reference number	
●		Replacement	

<https://www.ebooklibonline.com>

Hello dear friend!

Thank you very much for reading.

Enter the link into your browser.

The full manual is available for immediate download.

<https://www.ebooklibonline.com>