

Engine

Mc Power4 Tier 3 Restyling (2009-2013) - RPB2 - 130

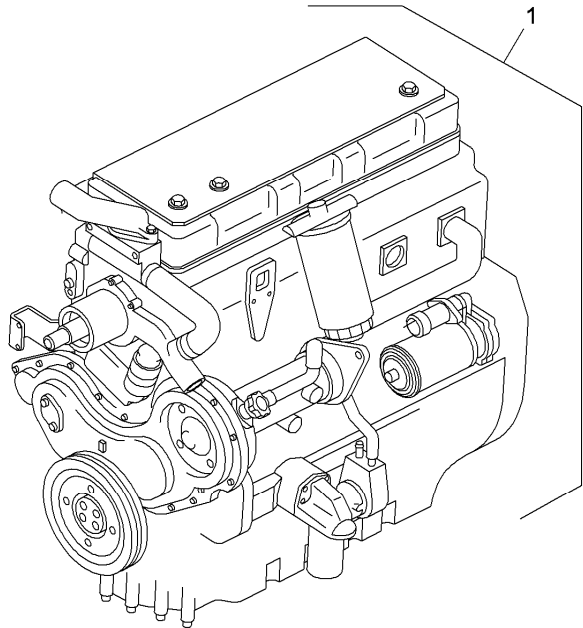
RPB2\00005987.PNG

A-05
01



A0501

Engine assembly



		Inglese	
1	4212011M91	●	4212011M92(1) 1 Engine 92.8 kw - perkins r
1	6510945M91	●	6510945M92(1) 1 Engine 92.8 kw - perkins r
		A	
1	6512084M91	●	6512084M92(1) 1 Engine 92.8 kw - perkins r
		C	
		B	
1	6512316M92		92.8 kw - perkins r 1 Engine
		C	
		D	
	●	Replacement	
	A	Tier 3b	
	B	Cee	
	C	Flexibility engine	
	D	Nao	

Engine

Mc Power4 Tier 3 Restyling (2009-2013) - RPB2 - 130

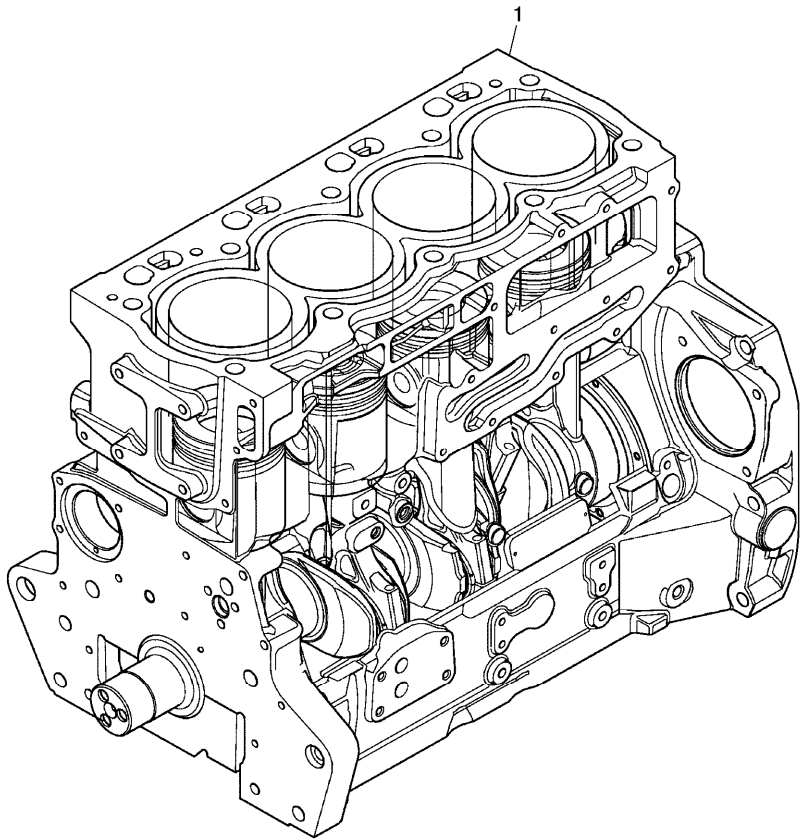
RPB2\000015070.PNG

A-05
015



A05015

Short engine



- Inglese
- | | | | | | |
|---|---------|--|----------------------------------|---|--------------|
| 1 | NH39872 | | U056074t | 1 | Short engine |
| | | | 3115A141(1),
32186146(3), NH4 | | |
| 1 | NH40030 | | U056075t | 1 | Short engine |
- From serial or engine number
 Up to serial or engine number
 Replacement

Engine

Mc Power4 Tier 3 Restyling (2009-2013) - RPB2 - 130

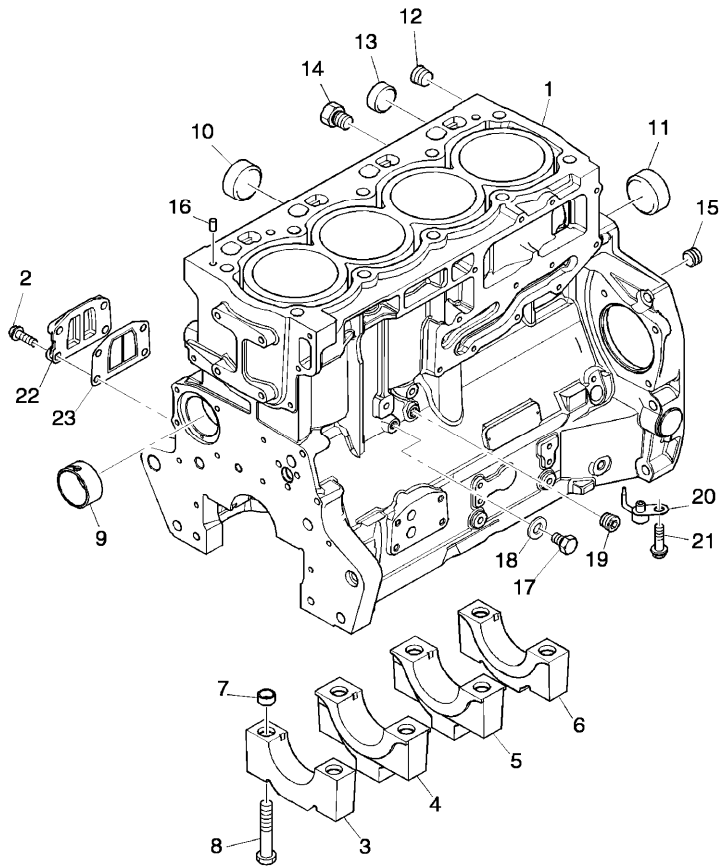
RPB2\000022252.png

A-05
02



A0502

Cylinders block



		Inglese	
1	ZZ50318		1 Block
2	2314H034	! 1	4 Screw
3		! 1	1 Bearing cup
		➡ Ref.n.1	
4		! 1	1 Bearing cup
		➡ Ref.n.1	
5		! 1	1 Bearing cup
		➡ Ref.n.1	
6		! 1	1 Bearing cup
		➡ Ref.n.1	
7	33142111	! 1	10 Manicott
8	32166329	! 1	10 Screw
9	3112D071	! 1	1 Bush
		● 3112D075(1)	
10	3241A011	! 1	2 Plug
11	3241A012	! 1	1 Plug
12	0650588	! 1	1 Plug
13	0650710	! 1	1 Plug
14	32141316	! 1	1 Plug
15	3212P008	! 1	1 Plug
16	3244A009	! 1	2 Dowel
17	2314C049	! 1	1 Screw
18	2415D053	! 1	1 Washer
19	0650594	! 1	1 Plug
20	2113A003	! 1	4 Atomiser

<https://www.ebooklibonline.com>

Hello dear friend!

Thank you very much for reading.

Enter the link into your browser.

The full manual is available for immediate download.

<https://www.ebooklibonline.com>

Engine

Mc Power4 Tier 3 Restyling (2009-2013) - RPB2 - 130

RPB2\000022252.png

A-05
02



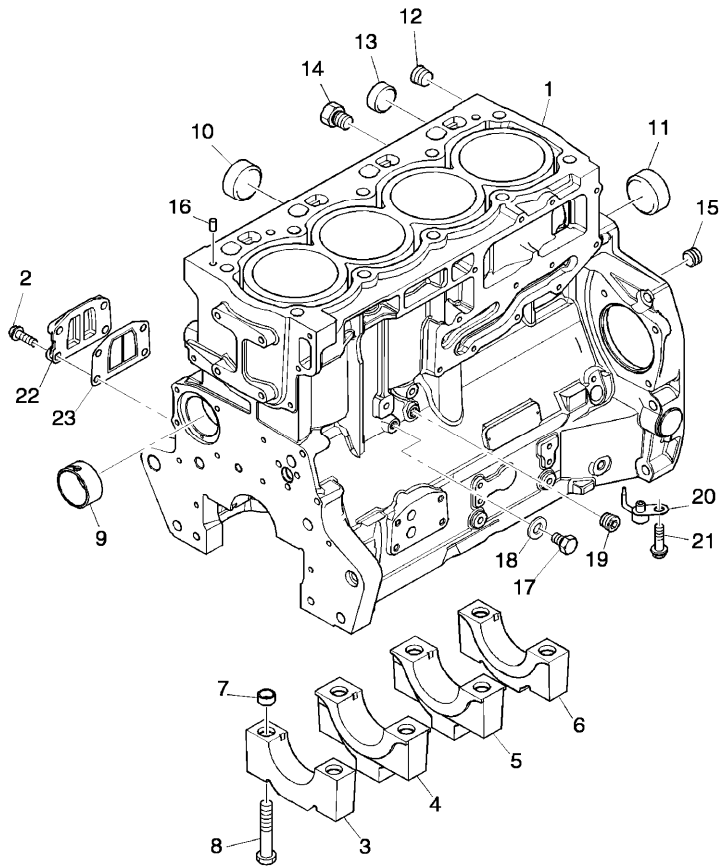
A0502

Cylinders block

Inglese

21	2314F001	!	1	4	Screw
22	3753A071	!	1	1	Coperch.
23	3688A041	!	1	1	Gasket

- ! This is a component of an assembly
- 🔧 Not serviced, order
- Replacement



Engine

Mc Power4 Tier 3 Restyling (2009-2013) - RPB2 - 130

RPB2\000015074.png

A-05
03



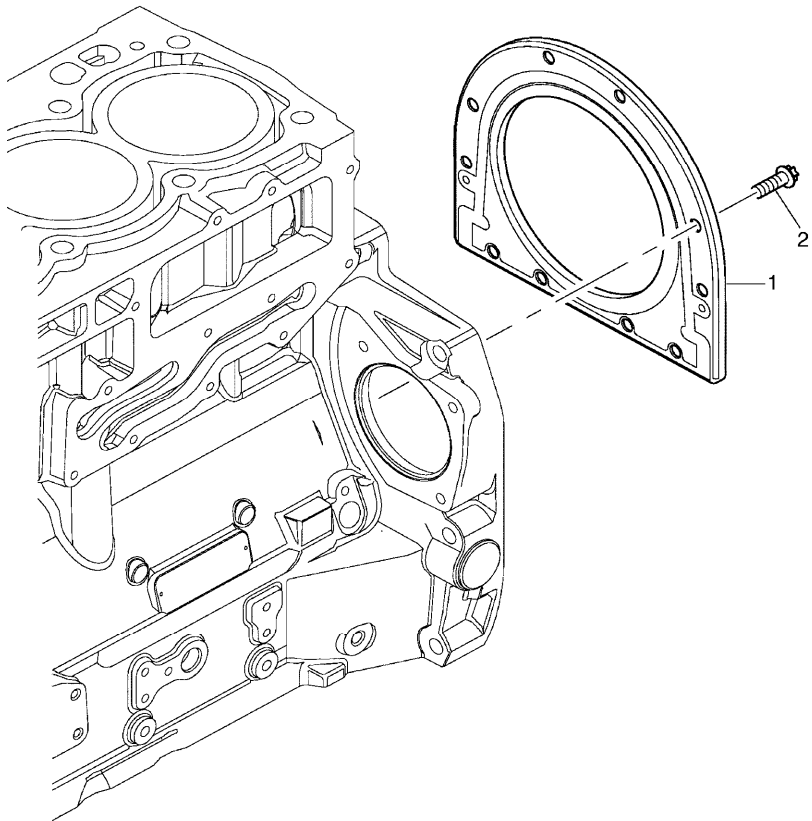
A0503

End cover

Inglese

- 1 2418F704
- 2 3211C002

- 1 Housing
- 10 Screw



Engine

Mc Power4 Tier 3 Restyling (2009-2013) - RPB2 - 130

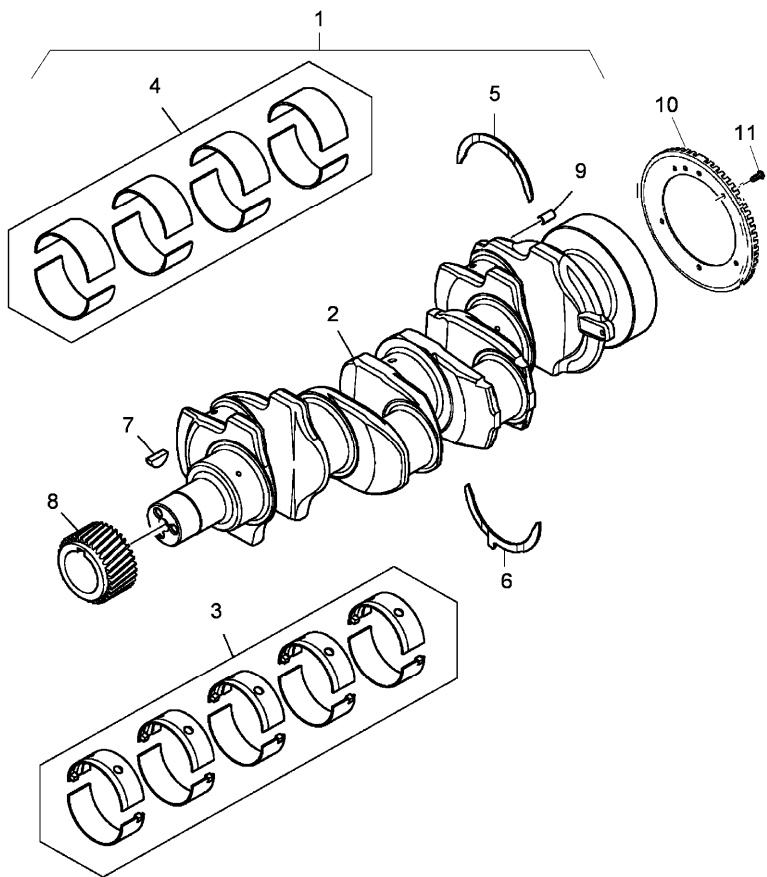
RPB2\00006973.png

A-05
04



A0504

Crankshaft



		Inglese	
-	➔ U056074t		
1	ZZ90233 ● ZZ90239(1)	1	Shaft
2	! 1	1	Crankshaft
	➔ Ref.n.1		
3	U5MB0018 ! 1	1	Kit
	● U5MB0033(1)		
3	U5MB0018A ! 1	1	Kit
	✂ 0.010 mm		
	● U5MB0033A(1)		
3	U5MB0018B ! 1	1	Kit
	✂ 0.020 mm		
	● U5MB0033B(1)		
3	U5MB0018C ! 1	1	Kit
	✂ 0.030 mm		
	● N.L.A.(1)		
4	T400002 ! 1	1	Kit
	➔ U491477 t		
	● T410927(1)		
4	U5ME0026 ! 1	1	Kit
	➔ U491476 t		
	● U5ME0034(1)		
4	U5ME0026A ! 1	1	Kit
	✂ 0.25 mm		
	➔ U491476 t		
	● U5ME0034A(1)		

Engine

Mc Power4 Tier 3 Restyling (2009-2013) - RPB2 - 130

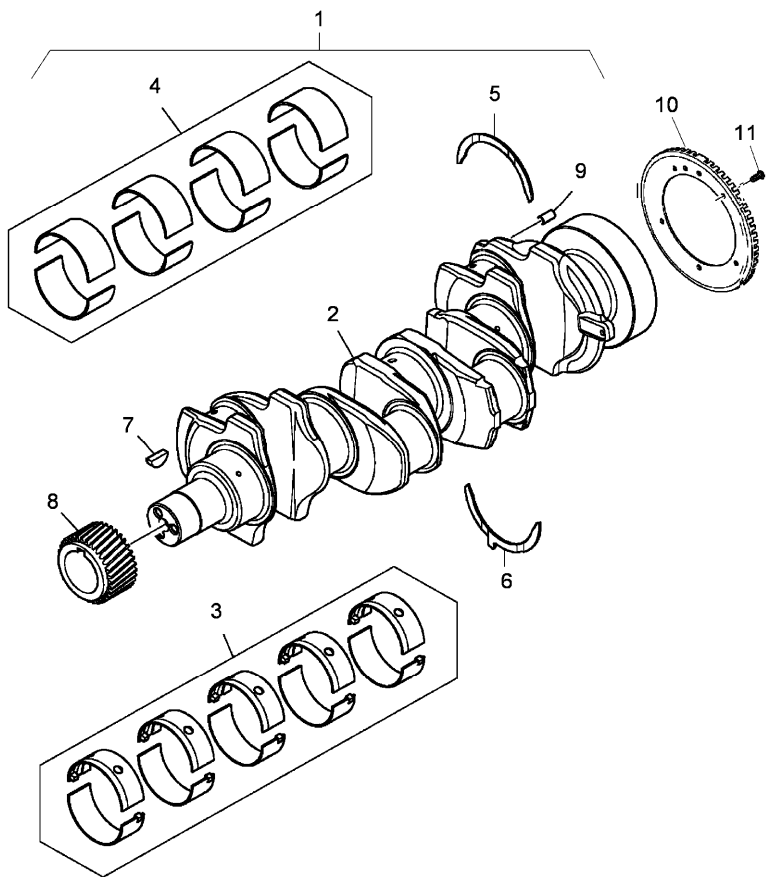
RPB2\00006973.png

A-05
04



A0504

Crankshaft



				Inglese
4	U5ME0026B	!	1	1 Kit
		⚡	0.50 mm	
		➔	U491476 t	
		●	U5ME0034B(1)	
4	U5ME0026C	!	1	1 Kit
		⚡	0.75 mm	
		➔	U491476 t	
		●	U5ME0034C(1)	
5	31137312	!	1	2 Ring
		⚡	0.007 mm	
5	31137551	!	1	2 Washer
6	31137322	!	1	2 Ring
		⚡	0.007 mm	
6	31137561	!	1	2 Washer
7	0500012			1 Key
8	3117C221			1 Gear
9	3313A036	!	1	1 Dowel
10	3116L022			1 Change device
11	2316T244			3 Screw
!	This is a component of an assembly			
➔	From serial or engine number			
➔	Up to serial or engine number			
⏏	Not serviced, order			
⚡	Shim			
●	Replacement			

Engine

Mc Power4 Tier 3 Restyling (2009-2013) - RPB2 - 130

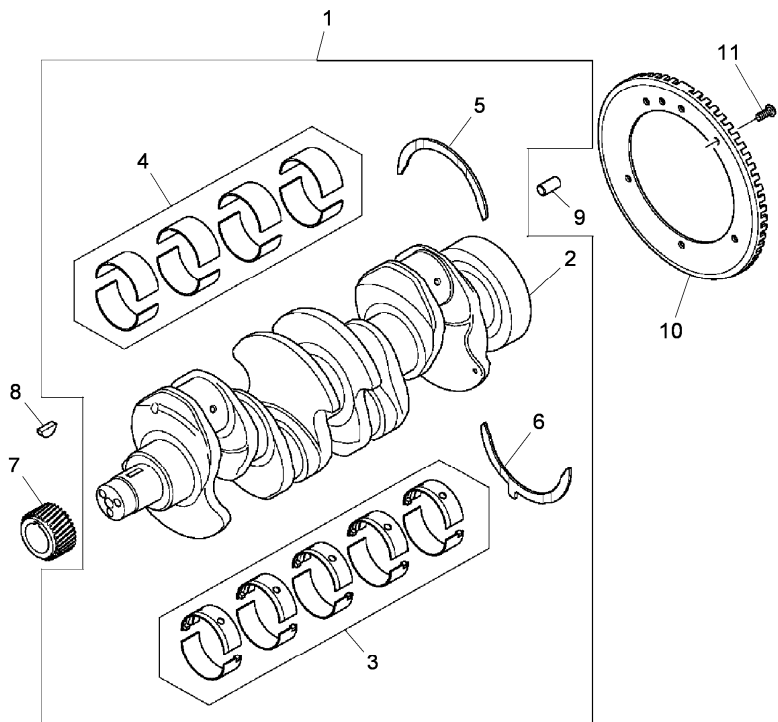
RPB2\00008779.png

**A-05
041**



A05041

Crankshaft



Inglese

-	➡	U056075t	
1		ZZ90241	1 Shaft
2	!	1	1 Crankshaft
3	➡	Ref.n.1	
3	U5MB0033	!	1 Kit
3	U5MB0033A	!	1 Kit
	⚡	-0,25 mm	
3	U5MB0033B	!	1 Kit
	⚡	-0,50 mm	
3	U5MB0033C	!	1 Kit
	⚡	-0,75 mm	
	●	N.L.A.(1)	
4	T400002	!	1 Kit
	●	T410927(1)	
5	31137312	!	2 Ring
	⚡	0.007 mm	
5	31137551	!	2 Washer
6	31137322	!	2 Ring
	⚡	0.007 mm	
6	31137561	!	2 Washer
7	3117C221		1 Gear
8	0500012		1 Key
9	3313A036		1 Dowel
10	3116L022		1 Change device
11	2316T244		3 Screw
!	This is a component of an assembly		

Engine

Mc Power4 Tier 3 Restyling (2009-2013) - RPB2 - 130





RPB2\00008779.png

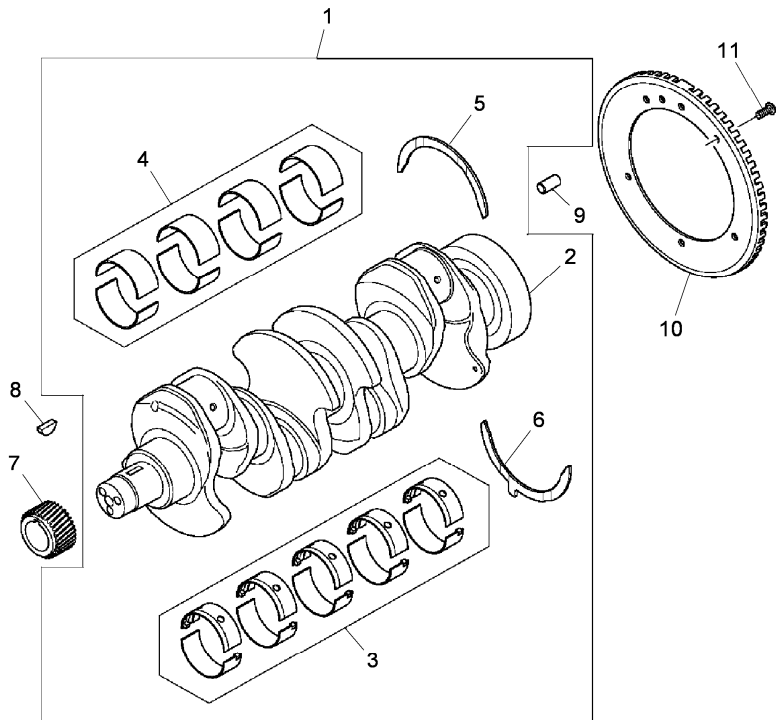
A-05
041



A05041

Crankshaft

-  From serial or engine number
-  Not serviced, order
-  Shim
-  Replacement



Engine

Mc Power4 Tier 3 Restyling (2009-2013) - RPB2 - 130

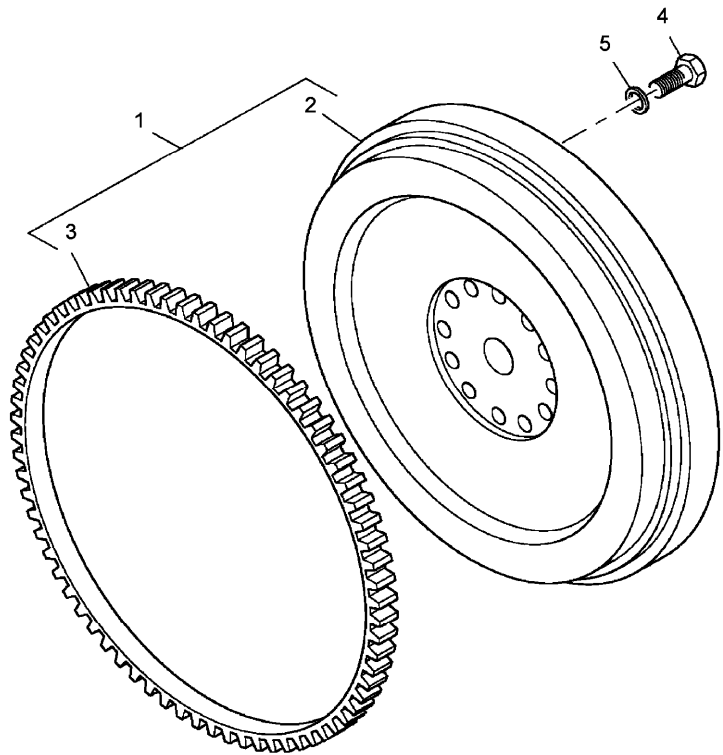
RPB2\00006984.png

A-05
045



A05045

Flywheel



		Inglese	
1	4111D267	⊕ E-04 01 1	1 Flywheel
2		! 1	1 Flywheel
		➡ Ref.n.1	
3	0410236	! 1	1 Crownwheel
		● 3552228M1(1)	
4	0096803	⊕ E-04 01 2	10 Screw
5	33117127	⊕ E-04 01 3	10 Washer

- ! This is a component of an assembly
- ⊕ See page - reference number
- ➡ Not serviced, order
- Replacement

Engine

Mc Power4 Tier 3 Restyling (2009-2013) - RPB2 - 130

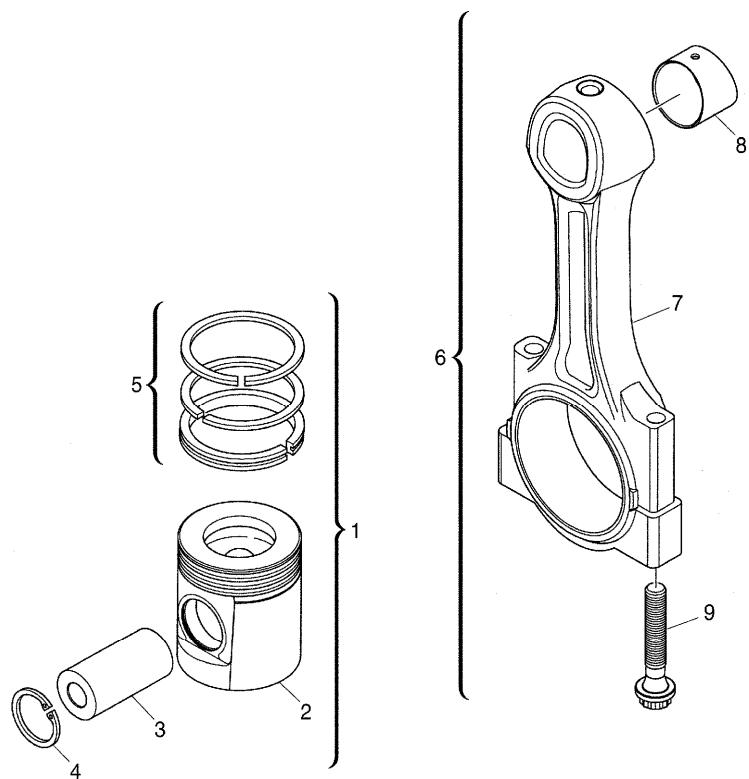
RPB2\000020562.png

A-05
05



A0505

Pistons and connecting rods



		Inglese
1	U5PR0060	4 Kit
2	! 1	1 Piston
	➡ Ref.n.1	
3	! 1	1 Piston
	➡ Ref.n.1	
4	2721332 ! 1	2 Ring
5	UPRK0005 ! 1	1 Kit
6	4115C311 ➡ U056074t	4 Kit
	A	
	T-A 14:0	
6	4115C312 ➡ U056074t	4 Kit
	B	
	T-A 14:0	
6	4115C313 ➡ U056074t	4 Kit
	C	
	T-A 14:0	
6	4115C314 ➡ U056074t	4 Kit
	D	
	T-A 14:0	
6	4115C315 ➡ U056074t	4 Kit
	E	
	T-A 14:0	
6	4115C316 ➡ U056074t	4 Kit
	F	
	T-A 14:0	

Engine

Mc Power4 Tier 3 Restyling (2009-2013) - RPB2 - 130

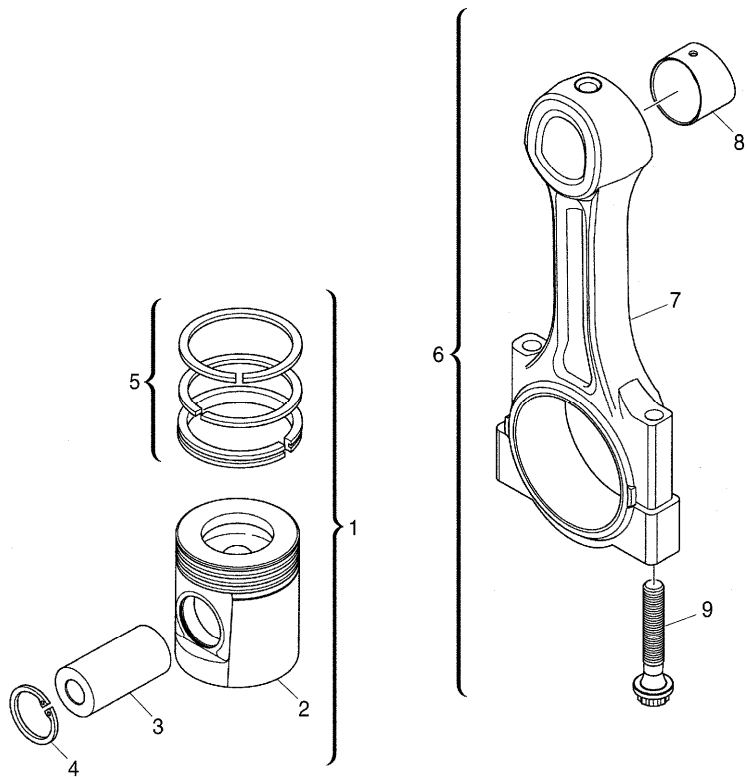
RPB2\000020562.png

**A-05
05**



A0505

Pistons and connecting rods



			Inglese
6	4115C361	➡ U056075t	4 Conrod
		A	
6	4115C362	➡ U056075t	4 Conrod
		B	
6	4115C363	➡ U056075t	4 Conrod
		C	
6	4115C364	➡ U056075t	4 Conrod
		D	
6	4115C365	➡ U056075t	4 Conrod
		E	
6	4115C366	➡ U056075t	4 Conrod
		F	
7	!	6	1 Conrod
		➡ Ref.n.6	
8	3112A005	!	6
		T-A 14:0	
9	3212V003	!	6
		➡ U056074 t	
9	T400001	!	6
		➡ U056075 t	

- ! This is a component of an assembly
- ➡ From serial or engine number
- ➡ Up to serial or engine number
- ➡ Not serviced, order
- T-A Replacement
- A Red
- B Orange

Engine

Mc Power4 Tier 3 Restyling (2009-2013) - RPB2 - 130

RPB2\000020562.png

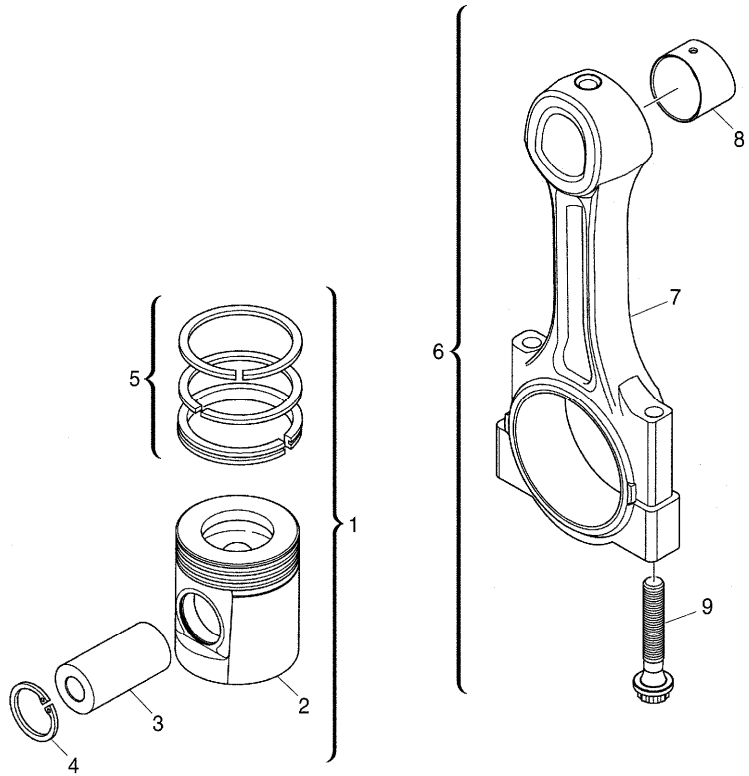
A-05
05



A0505

Pistons and connecting rods

- C White
- D Green
- E Purple
- F Blue



Engine

A-05
06

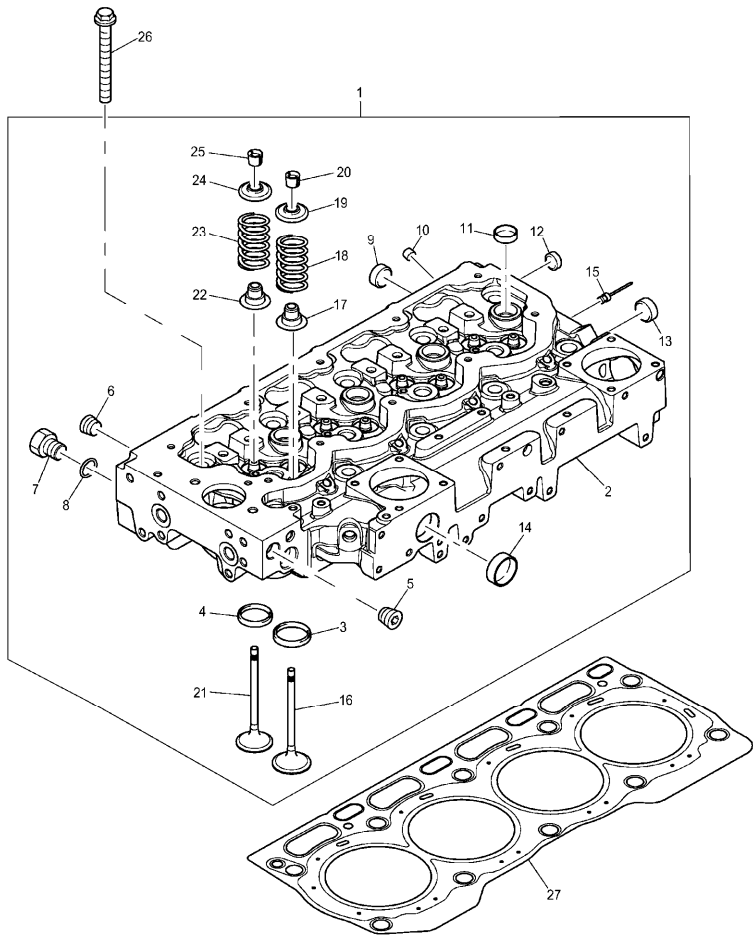
Cylinder head

Mc Power4 Tier 3 Restyling (2009-2013) - RPB2 - 130



A0506

RPB2\00006974.png



Inglese

- 23 3174A028 ! 1
- 24 3311A025 ! 1
- 25 3142W005 ! 1
- 26 3218A011
- 27 3681E074

- 8 Spring
- 8 Coperch.
- 16 Collet
- 10 Screw
- 1 Gasket

- ! This is a component of an assembly
- 🔧 Not serviced, order

Engine

Mc Power4 Tier 3 Restyling (2009-2013) - RPB2 - 130

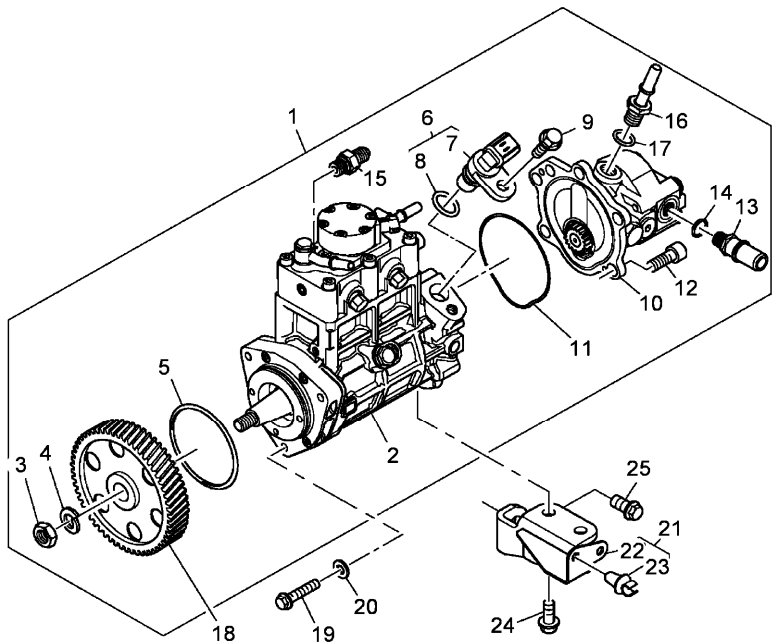
RPB2\00006979.png

A-05
07



A0507

Injection pump assy



26
ANTI CONTAMINATION KIT
KIT DE PROTECTION
SCHUTZSATZ
KIT PROTEZIONE
EQUIPO DE PROTECCION

		Inglese
-	➔ U001673p	
1	2641A405	1 Pump
2	!	1 Pump
3	2318A108	1 Nut
4	K134AF01	1 Washer
5	2415H531	1 O ring
6	U5MK1086	1 Sensor
	A	
7	!	6
	➔ Ref.n.6	
8	2415H524	1 Gasket
9	2314H002	1 Screw
10	2641A307	1 Lift
	● T400392(1)	
11	2415H528	1 Ring
12	2311D060	5 Screw
13	3355A028	1 Connection
14	2415H221	1 Ring
15	2441A601	1 Connection
16	3355A038	1 Connection
17	2415H221	1 Ring
18	3117L261	1 Pinion
19	2314H004	3 Screw
20	2411D008	3 Washer
21	4141A188	1 Stirrup

Engine

Mc Power4 Tier 3 Restyling (2009-2013) - RPB2 - 130

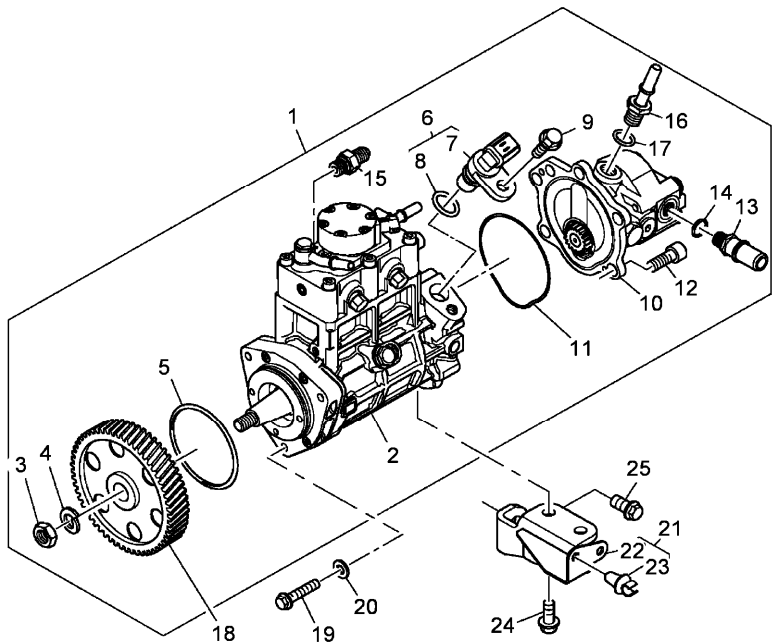
RPB2\00006979.png

A-05
07



A0507

Injection pump assy



26
ANTI CONTAMINATION KIT
KIT DE PROTECTION
SCHUTZSATZ
KIT PROTEZIONE
EQUIPO DE PROTECCION

- 22 ! 21
- 23 2481D558 ! 21
- 24 2314H002
- 25 2314J002
- 26 U5MK1124
- ! This is a component of an assembly
- ➔ From serial or engine number
- Not serviced, order
- Replacement
- A Speed

Inglese

- 1 Stirrup
- 2 Clip
- 2 Screw
- 1 Screw
- 1 Kit

Engine

Mc Power4 Tier 3 Restyling (2009-2013) - RPB2 - 130

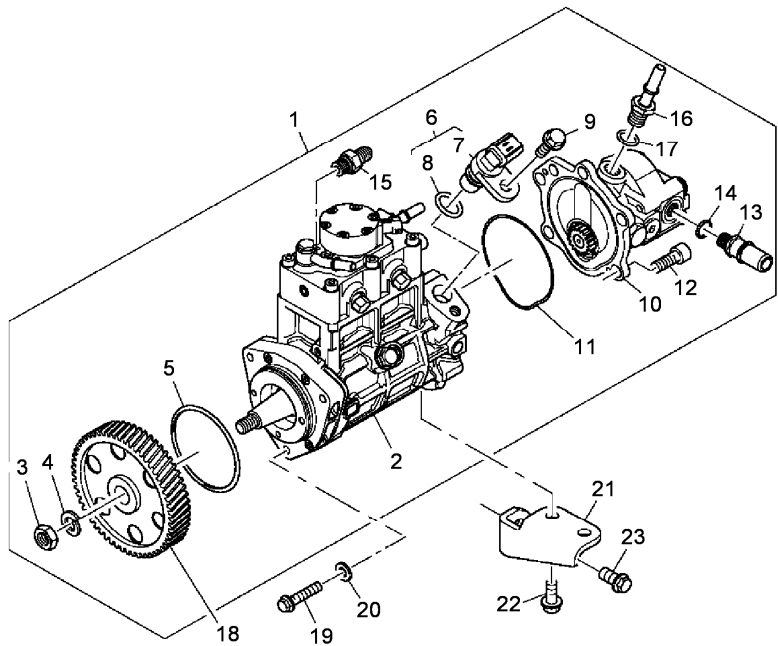
RPB2\00008783.png

**A-05
075**



A05075

Injection pump assy



24
ANTI CONTAMINATION KIT
KIT DE PROTECTION
SCHUTZSATZ
KIT PROTEZIONE
EQUIPO DE PROTECCION

		Inglese
-	➔ U001672p	
1	2641A405	1 Pump
2	!	1 Pump
3	2318A108	1 Nut
4	K134AF01	1 Washer
5	2415H531	1 O ring
6	U5MK1086	1 Sensor
7	A	
	!	6
	➔ Ref.n.6	
8	2415H524	1 Gasket
9	2314H002	1 Screw
10	2641A307	1 Lift
	● T400392(1)	
11	2415H528	1 Ring
12	2311D060	5 Screw
13	3355A028	1 Connection
14	2415H221	1 Ring
15	2441A601	1 Connection
16	3355A038	1 Connection
17	2415H221	! 1 Ring
18	3117L261	1 Pinion
19	2314H004	3 Screw
20	2411D008	3 Washer
21	3656A026	1 Stirrup

Engine

Mc Power4 Tier 3 Restyling (2009-2013) - RPB2 - 130

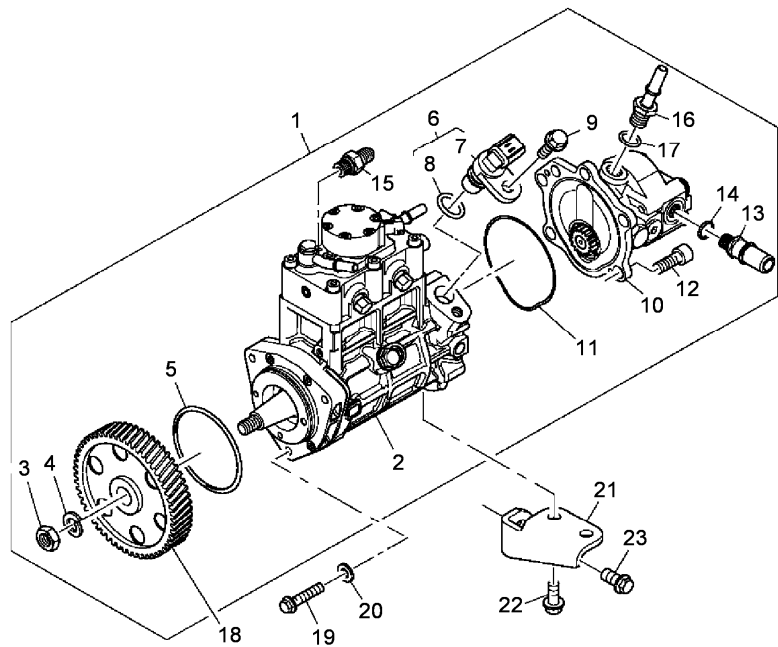
RPB2\00008783.png

**A-05
075**



A05075

Injection pump assy



24
ANTI CONTAMINATION KIT
KIT DE PROTECTION
SCHUTZSATZ
KIT PROTEZIONE
EQUIPO DE PROTECCION

Inglese

- 22 2314H002 2 Screw
- 23 2314J002 1 Screw
- 24 U5MK1124 1 Kit

- ! This is a component of an assembly
- ➔ Up to serial or engine number
- ➔ Not serviced, order
- Replacement
- A Speed

Engine

Mc Power4 Tier 3 Restyling (2009-2013) - RPB2 - 130

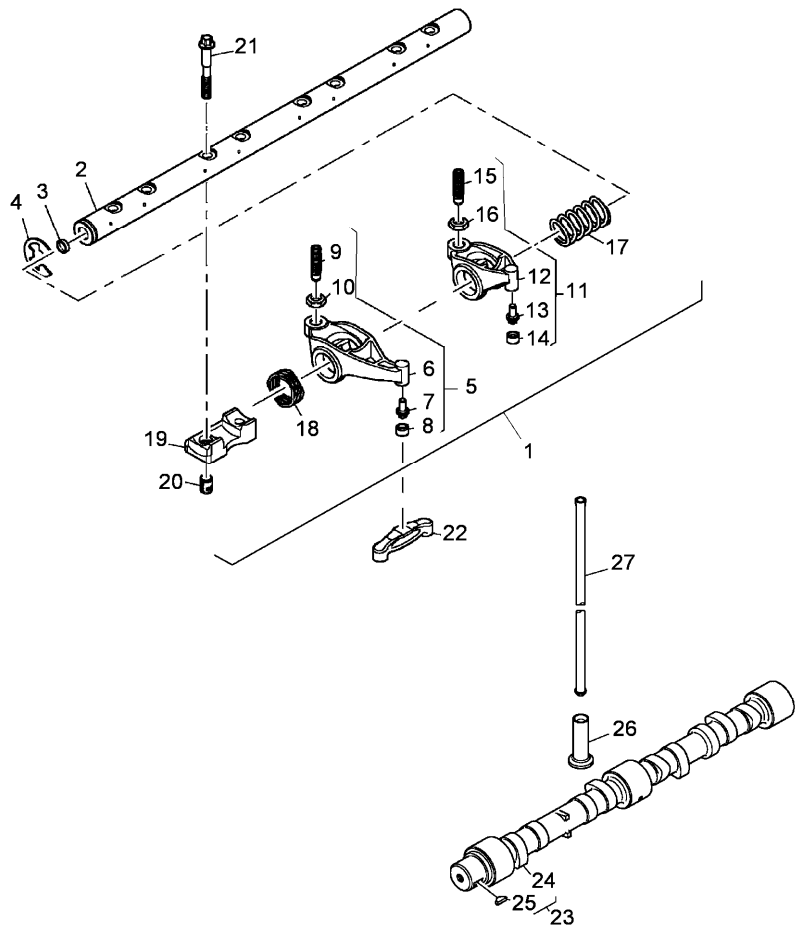
RPB2\00006975.png

A-05
08



A0508

Rocker shaft



			Inglese
1	4115R819		1 Rocker
2		! 1	1 Shaft
		➡ Ref.n.1	
3	2485A105	! 1	2 Plug
4	2727A015	! 1	1 Ring
5	4115R317	! 1	4 Rocker
6		! 5	1 Rocker
		➡ Ref.n.5	
7		! 5	1 Insert
		➡ Ref.n.5	
8		! 5	1 Pad
		➡ Ref.n.5	
9	3211C004	! 5	1 Screw
10	3331A004	! 5	1 Nut
11	4115R316	! 1	4 Rocker
12		! 11	1 Rocker
		➡ Ref.n.11	
13		! 11	1 Insert
		➡ Ref.n.11	
14		! 11	1 Pad
		➡ Ref.n.11	
15	3211C004	! 11	1 Screw
16	3331A004	! 11	1 Nut
17	3174A023	! 1	3 Spring
18	3174A024	! 1	1 Spring

Engine

Mc Power4 Tier 3 Restyling (2009-2013) - RPB2 - 130

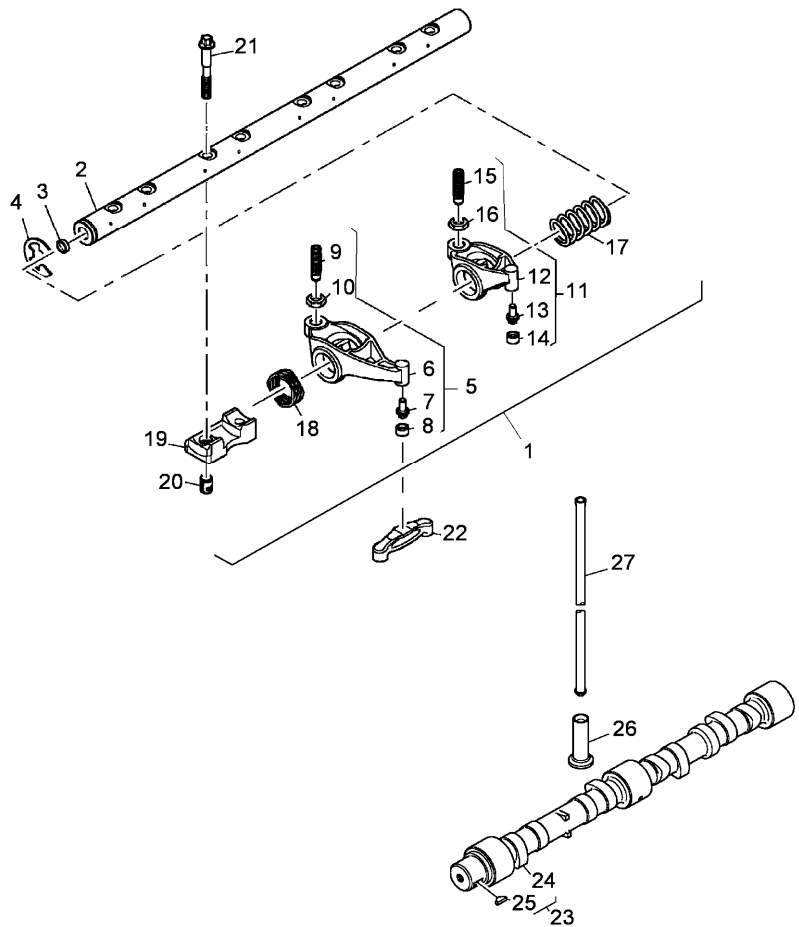
RPB2\00006975.png

A-05
08



A0508

Rocker shaft



- 19 3818X161 ! 1
- 20 3241A024 ! 1
- 21 3218A201 ! 1
- 22 4116A002
- 23 4112K026
- 24 ! 23
- 25 0500012 ! 23
- 26 3142U061
- 27 3142V011

➡ Ref.n.23

- ! This is a component of an assembly
- ➡ Not serviced, order

Inglese

- 4 Pedestal
- 4 Retainer
- 8 Screw
- 8 Stirrup
- 1 Shaft
- 1 Shaft
- 1 Key
- 8 Tappet
- 8 Rod

Engine

Mc Power4 Tier 3 Restyling (2009-2013) - RPB2 - 130

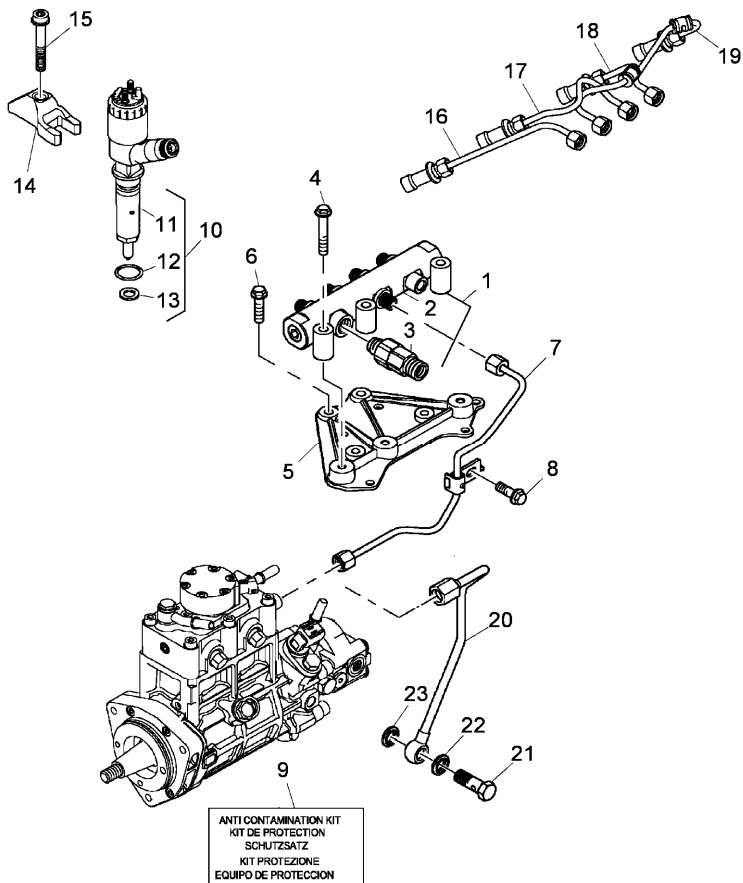
RPB2\00006980.png

A-05
09



A0509

Fuel injection equipment (diesel)



- 1 3774A413
- 2
- 3 2658A301
- 4 2314H010
- 5 3812A351
- 6 2314H006
- 7 3525A217
- 8 2314H002
- 9 U5MK1124
- 10 2645A747
- 11
- 12 2415H014
- 13 2415D154
- 14 3751A331
- 15 3218A016
- 16 3525A211
- 17 3525A212
- 18 3525A222
- 19 3525A223
- 20 3552A039
- 21 3218R044

- 3774A415(1)
- ! 1
- ➡ Ref.n.1
- ! 1
- T417873(1)
- ! 10
- ➡ Ref.n.10
- ! 10
- ! 10
- ➡ Ref.n.10

Inglese

- 1 Manifold
- 1 Manifold
- 1 Valve
- 3 Screw
- 1 Stirrup
- 4 Screw
- 1 Pipe
- 1 Screw
- 1 Kit
- 4 Nozzle
- 1 Nozzle
- 1 Ring
- 1 Washer
- 4 Clamp
- 4 Screw
- 1 Pipe
- 1 Pipe
- 1 Pipe
- 1 Pipe
- 1 Pipe
- 1 Bolt

Engine

Mc Power4 Tier 3 Restyling (2009-2013) - RPB2 - 130

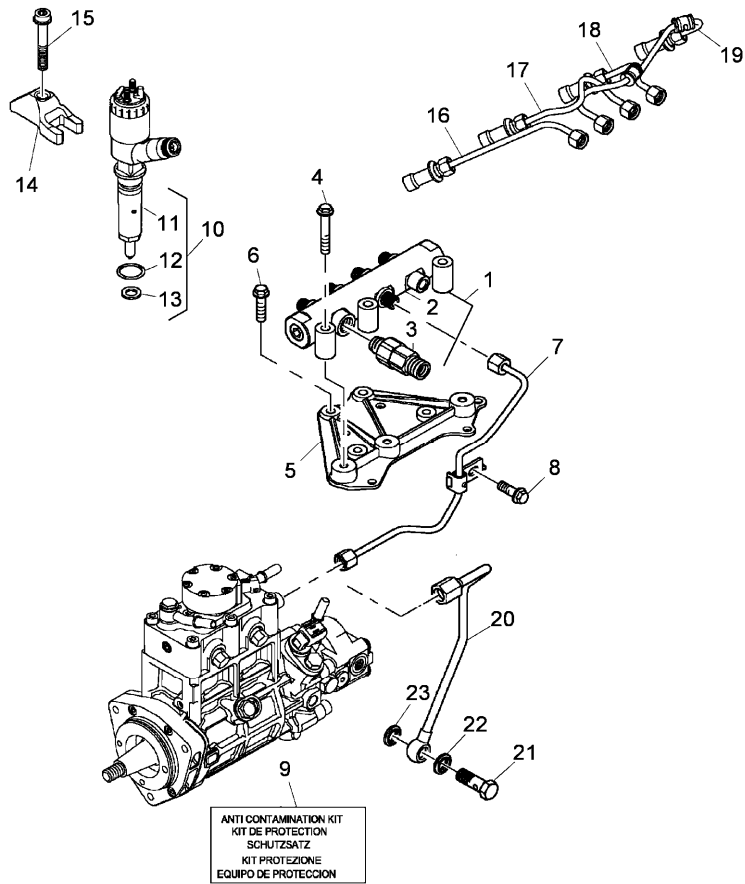
RPB2\00006980.png

A-05
09



A0509

Fuel injection equipment (diesel)



22 2415D002

23 2415D002

! This is a component of an assembly

▣ Not serviced, order

● Replacement

Inglese

1 Washer

1 Washer



Suggest:

For more complete manuals. Please go to the home page.

<https://www.ebooklibonline.com>

If the above button click is invalid. Please download this document first, and then click the above link to download the complete manual.

Thank you so much for reading

Engine

Mc Power4 Tier 3 Restyling (2009-2013) - RPB2 - 130

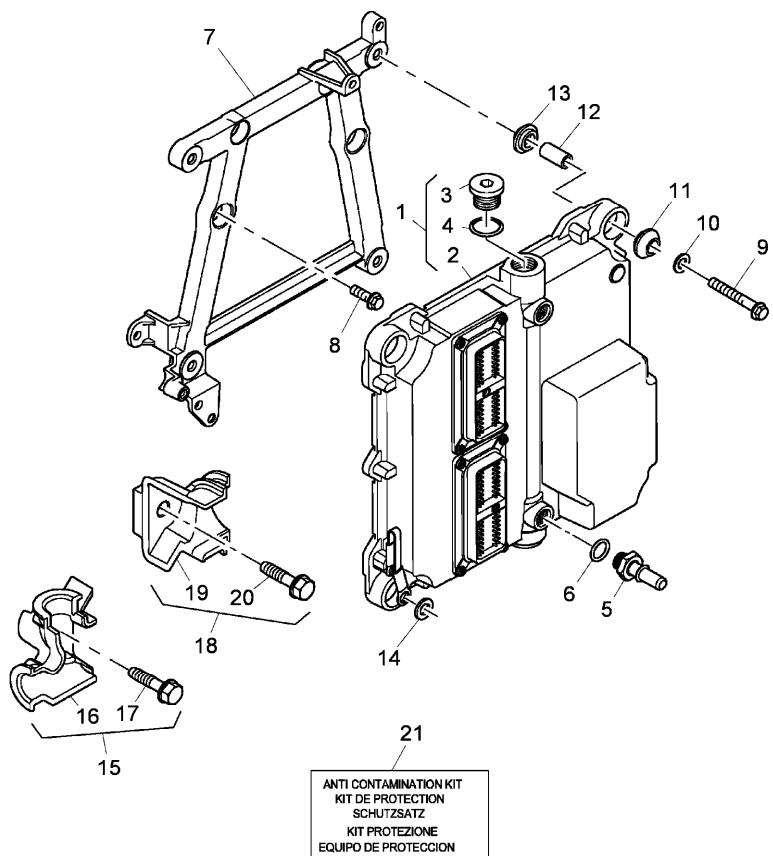
RPB2\00006981.png

**A-05
095**



A05095

Engine control module



ANTI CONTAMINATION KIT
KIT DE PROTECCION
SCHUTZSATZ
KIT PROTEZIONE
EQUIPO DE PROTECCION

- | | | | |
|----|----------|---|-----------|
| 1 | 28170119 | ● | N.L.S.(1) |
| 2 | | ! | 1 |
| | | ➤ | Ref.n.1 |
| 3 | | ! | 1 |
| | | ➤ | Ref.n.1 |
| 4 | 2415H015 | ! | 1 |
| 5 | 3355A021 | | |
| 6 | 2415H011 | | |
| 7 | 3812A051 | | |
| 8 | 2314H033 | | |
| 9 | 2314H039 | | |
| 10 | 3311A015 | | |
| 11 | 2634C501 | | |
| 12 | 3313A027 | | |
| 13 | 2634C501 | | |
| 14 | 2131A008 | | |
| 15 | 4175A005 | | |
| 16 | | ! | 15 |
| | | ➤ | Ref.n.15 |
| 17 | 2314E949 | ! | 15 |
| 18 | 4175A006 | | |
| 19 | | ! | 18 |
| | | ➤ | Ref.n.18 |
| 20 | 2314E949 | ! | 18 |
| 21 | U5MK1124 | | |

Inglese

- | | |
|---|-------------------------|
| 1 | Electr.contr.unit |
| 1 | Electronic unit control |
| 2 | Plug |
| 2 | Ring |
| 2 | Connection |
| 2 | Ring |
| 1 | Stirrup |
| 4 | Screw |
| 4 | Screw |
| 5 | Washer |
| 4 | Support |
| 4 | Spacer |
| 4 | Support |
| 1 | Washer |
| 1 | Clip |
| 1 | Stop |
| 1 | Screw |
| 1 | Clip |
| 1 | Stop |
| 1 | Screw |
| 1 | Kit |

Engine

Mc Power4 Tier 3 Restyling (2009-2013) - RPB2 - 130

RPB2\00006981.png

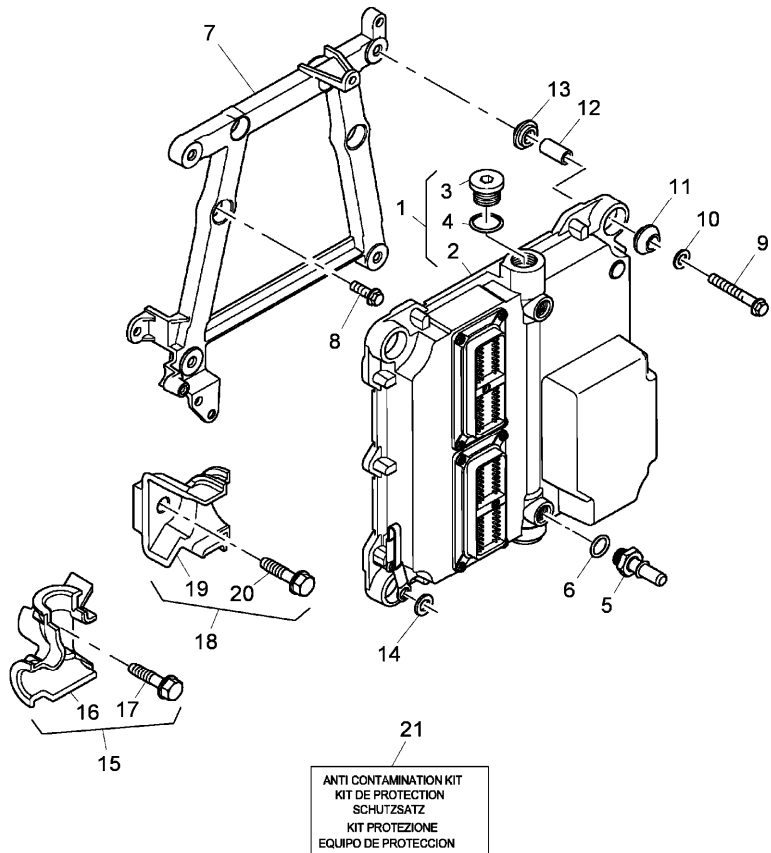
A-05
095



A05095

Engine control module

- ! This is a component of an assembly
- ▶ Not serviced, order
- Replacement



<https://www.ebooklibonline.com>

Hello dear friend!

Thank you very much for reading.

Enter the link into your browser.

The full manual is available for immediate download.

<https://www.ebooklibonline.com>