

Engine

Mc Power4 Tier 3 Restyling (2009-2013) - RPB2 - 120

RPB2\00005987.PNG

A-05  
01

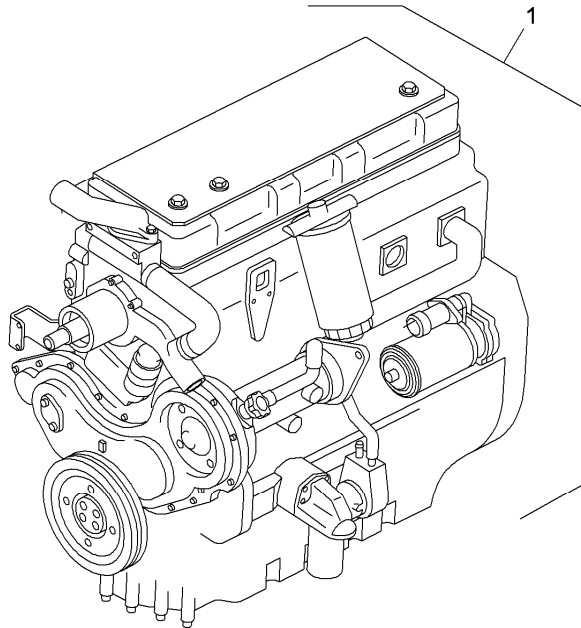


A0501

Engine assembly

Inglese

- 1 6502061M91 ● 6502061M92(1) 1 Engine
- Replacement Perkins nj75353



Engine

Mc Power4 Tier 3 Restyling (2009-2013) - RPB2 - 120

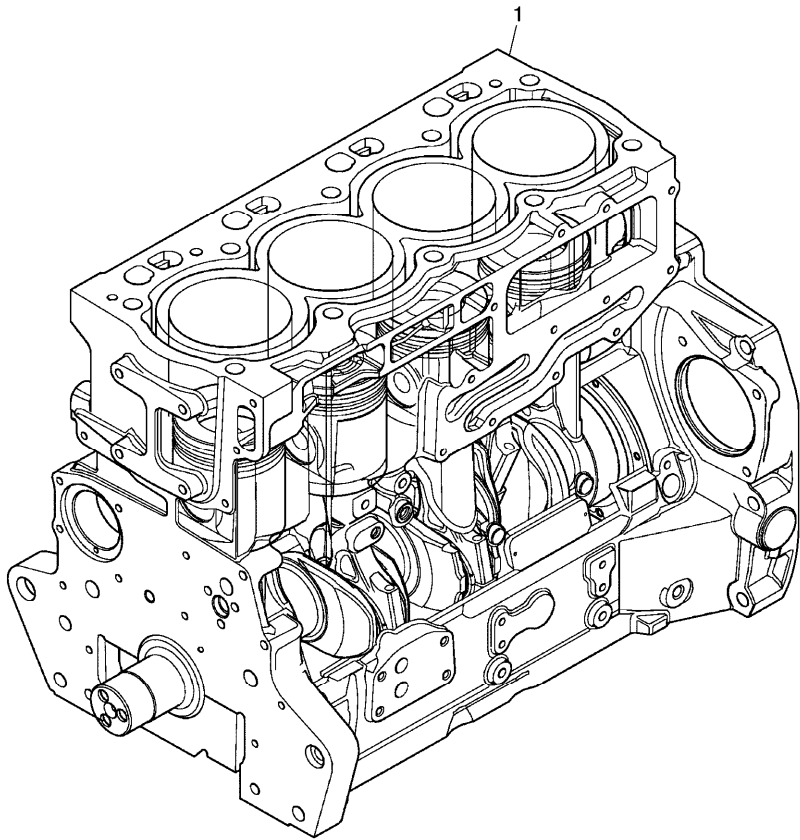
RPB2\000015070.PNG

**A-05  
015**



A05015

Short engine



1 NH40030

Inglese

1 Short engine

Engine

Mc Power4 Tier 3 Restyling (2009-2013) - RPB2 - 120

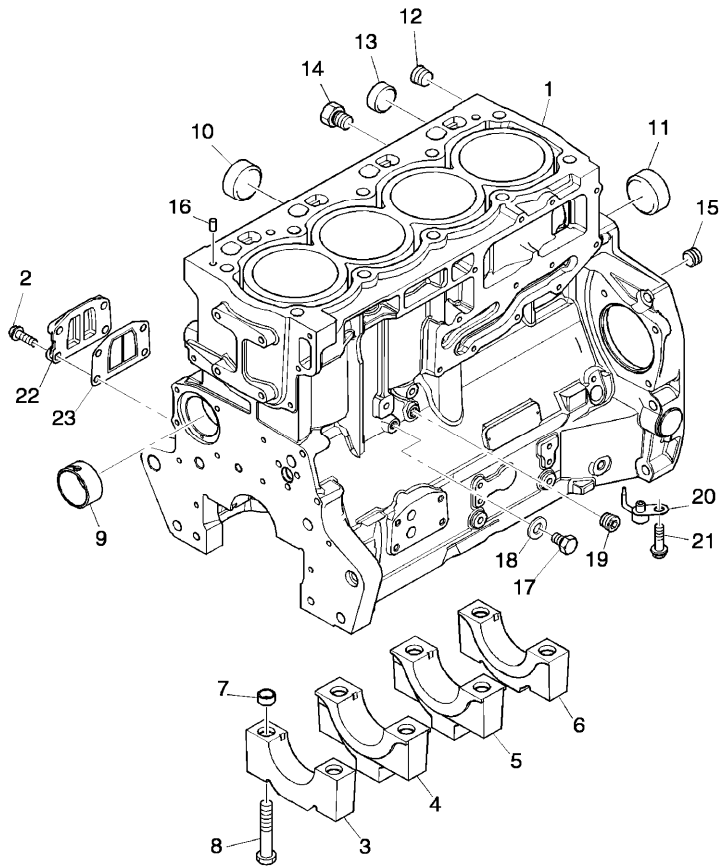
RPB2\000022252.png

A-05  
02



A0502

Cylinders block



			Inglese
1	ZZ50318		1 Block
2	2314H034	! 1	4 Screw
3		! 1	1 Bearing cup
		➡ Ref.n.1	
4		! 1	1 Bearing cup
		➡ Ref.n.1	
5		! 1	1 Bearing cup
		➡ Ref.n.1	
6		! 1	1 Bearing cup
		➡ Ref.n.1	
7	33142111	! 1	10 Manicott
8	32166329	! 1	10 Screw
9	3112D071	! 1	1 Bush
		● 3112D075(1)	
10	3241A011	! 1	2 Plug
11	3241A012	! 1	1 Plug
12	0650588	! 1	1 Plug
13	0650710	! 1	1 Plug
14	32141316	! 1	1 Plug
15	3212P008	! 1	1 Plug
16	3244A009	! 1	2 Dowel
17	2314C049	! 1	1 Screw
18	2415D053	! 1	1 Washer
19	0650594	! 1	1 Plug
20	2113A003	! 1	4 Atomiser

**<https://www.ebooklibonline.com>**

Hello dear friend!

Thank you very much for reading.

Enter the link into your browser.

The full manual is available for immediate download.

**<https://www.ebooklibonline.com>**

Engine

Mc Power4 Tier 3 Restyling (2009-2013) - RPB2 - 120

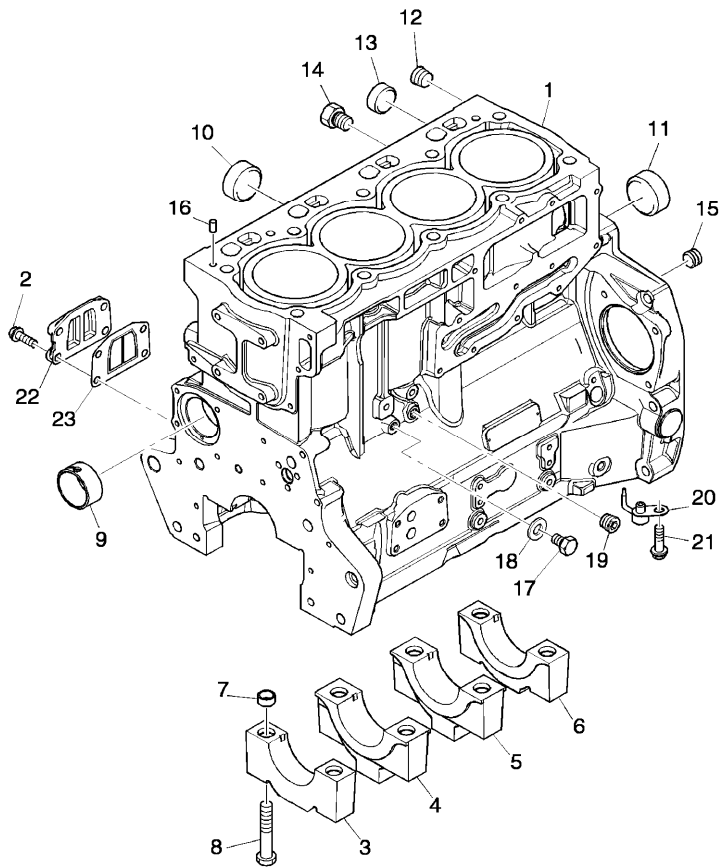
RPB2\000022252.png

A-05  
02



A0502

Cylinders block



Inglese

21 2314F001 ! 1

4 Screw

22 3753A071 ! 1

1 Coperch.

23 3688A041 ! 1

1 Gasket

! This is a component of an assembly

Not serviced, order

Replacement

Engine

Mc Power4 Tier 3 Restyling (2009-2013) - RPB2 - 120

RPB2\000015074.png

A-05  
03



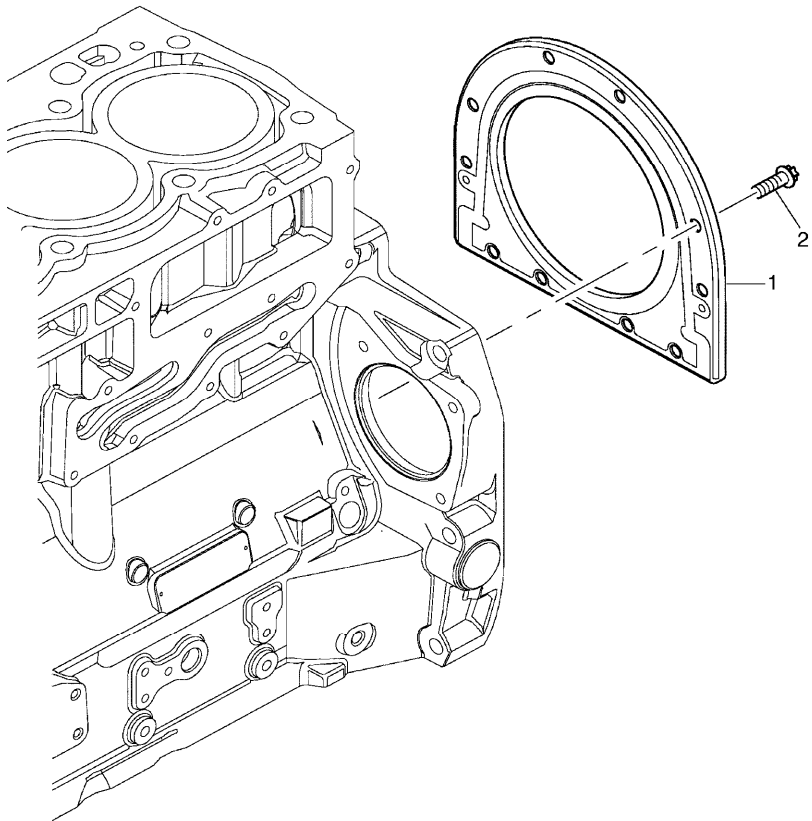
A0503

End cover

Inglese

- 1 2418F704
- 2 3211C002

- 1 Housing
- 10 Screw



Engine

Mc Power4 Tier 3 Restyling (2009-2013) - RPB2 - 120

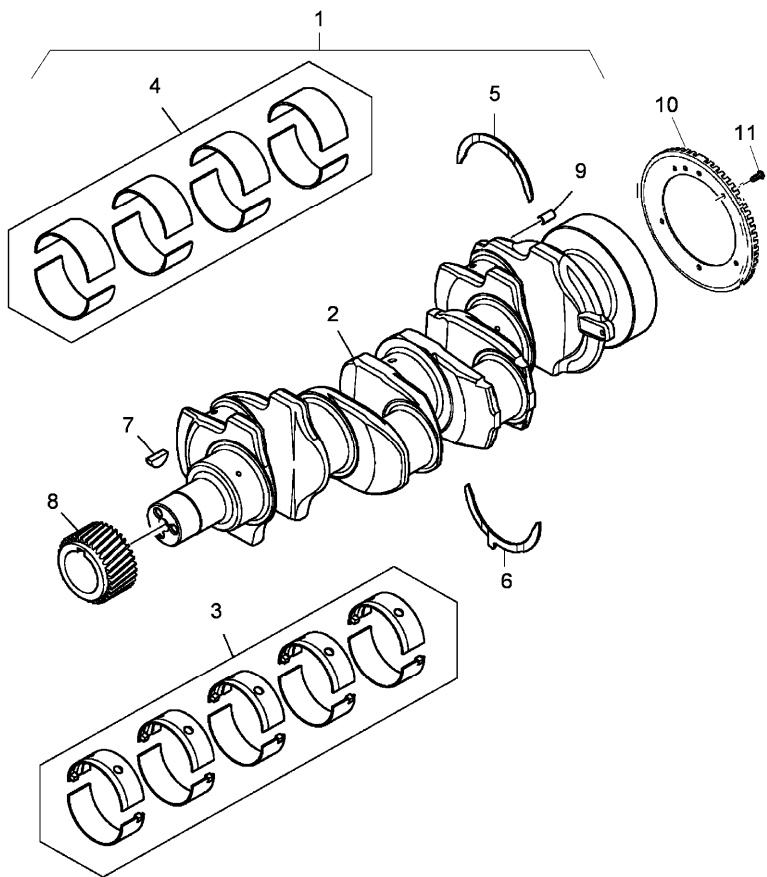
RPB2\00006973.png

A-05  
04



A0504

Crankshaft



Inglese

-	➔	U056074t	
1	●	ZZ90233	1 Shaft
2	!		1 Crankshaft
	➔	Ref.n.1	
3	!	U5MB0018	1 Kit
	●	U5MB0033(1)	
3	!	U5MB0018A	1 Kit
	⊗	0.010"	
	●	U5MB0033A(1)	
3	!	U5MB0018B	1 Kit
	⊗	0.020"	
	●	U5MB0033B(1)	
3	!	U5MB0018C	1 Kit
	⊗	0.030"	
	●	N.L.A.(1)	
4	!	U5ME0026	1 Kit
	●	U5ME0034(1)	
4	!	U5ME0026A	1 Kit
	⊗	0.25 mm	
	●	U5ME0034A(1)	
4	!	U5ME0026B	1 Kit
	⊗	0.50 mm	
	●	U5ME0034B(1)	
4	!	U5ME0026C	1 Kit
	⊗	0.75 mm	
	●	U5ME0034C(1)	

Engine

Mc Power4 Tier 3 Restyling (2009-2013) - RPB2 - 120

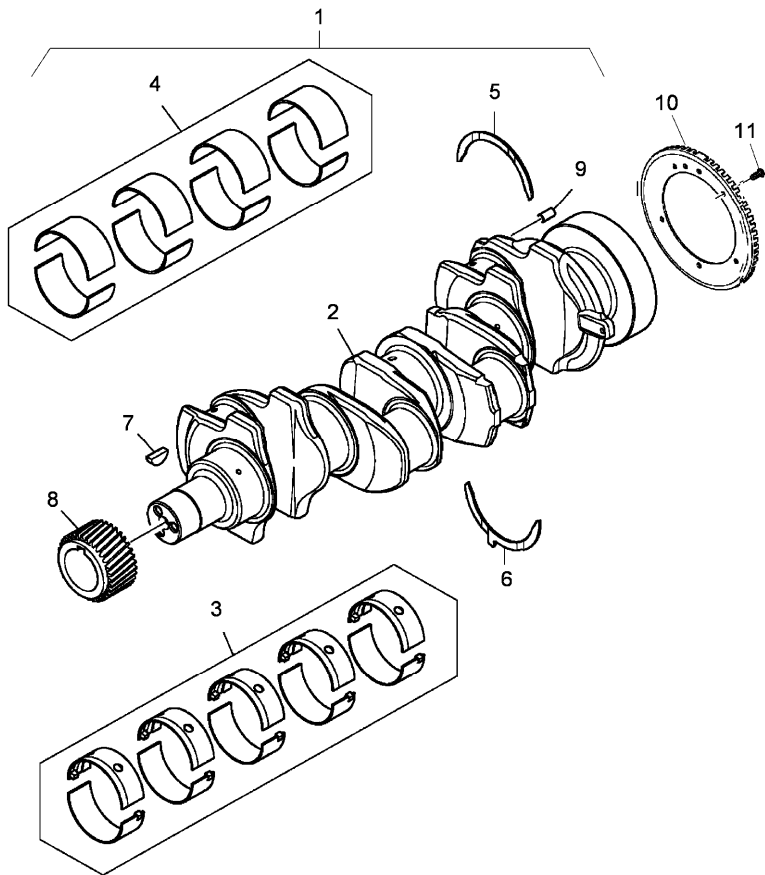
RPB2\00006973.png

A-05  
04



A0504

Crankshaft



				Inglese
5	31137312	!	1	2 Ring
		⚡	0.007 mm	
5	31137551	!	1	2 Washer
6	31137322	!	1	2 Ring
		⚡	0.007 mm	
6	31137561	!	1	2 Washer
7	0500012			1 Key
8	3117C221			1 Gear
9	3313A036	!	1	1 Dowel
10	3116L022			1 Change device
11	2316T244			3 Screw
!	This is a component of an assembly			
⬇	Up to serial or engine number			
🔧	Not serviced, order			
⚡	Shim			
🔩	Replacement			

Engine

Mc Power4 Tier 3 Restyling (2009-2013) - RPB2 - 120

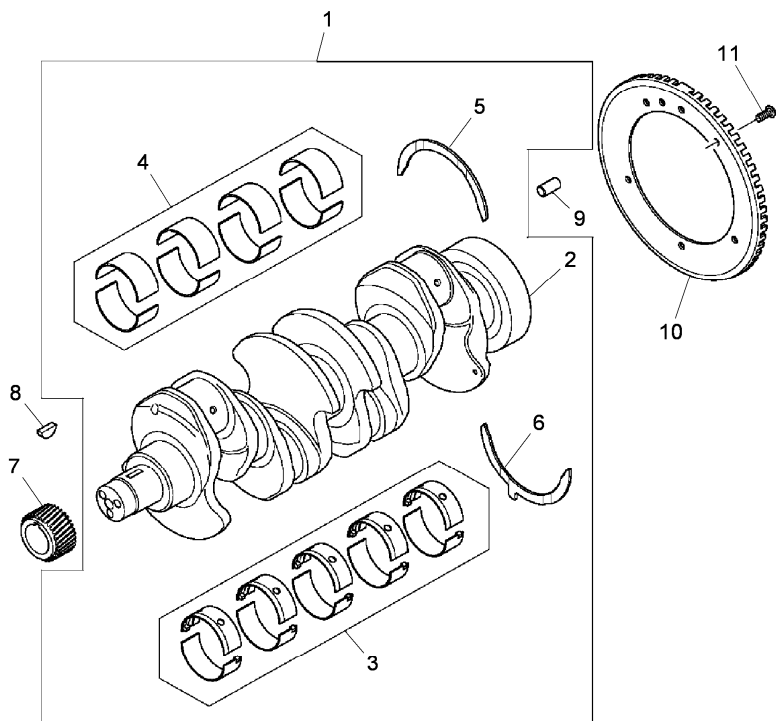
RPB2\00008779.png

**A-05  
041**



A05041

Crankshaft



Inglese

-	➡	U056075t	
1		ZZ90241	1 Shaft
2	!	1	1 Crankshaft
3	➡	Ref.n.1	
3	U5MB0033	!	1 Kit
3	U5MB0033A	!	1 Kit
	⚡	-0,25 mm	
3	U5MB0033B	!	1 Kit
	⚡	-0,50 mm	
3	U5MB0033C	!	1 Kit
	⚡	-0,75 mm	
	●	N.L.A.(1)	
4	T400002	!	1 Kit
	●	T410927(1)	
5	31137312	!	2 Ring
	⚡	0.007 mm	
5	31137551	!	2 Washer
6	31137322	!	2 Ring
	⚡	0.007 mm	
6	31137561	!	2 Washer
7	3117C221		1 Gear
8	0500012		1 Key
9	3313A036		1 Dowel
10	3116L022		1 Change device
11	2316T244		3 Screw
!	This is a component of an assembly		

Engine

Mc Power4 Tier 3 Restyling (2009-2013) - RPB2 - 120





A-05  
041

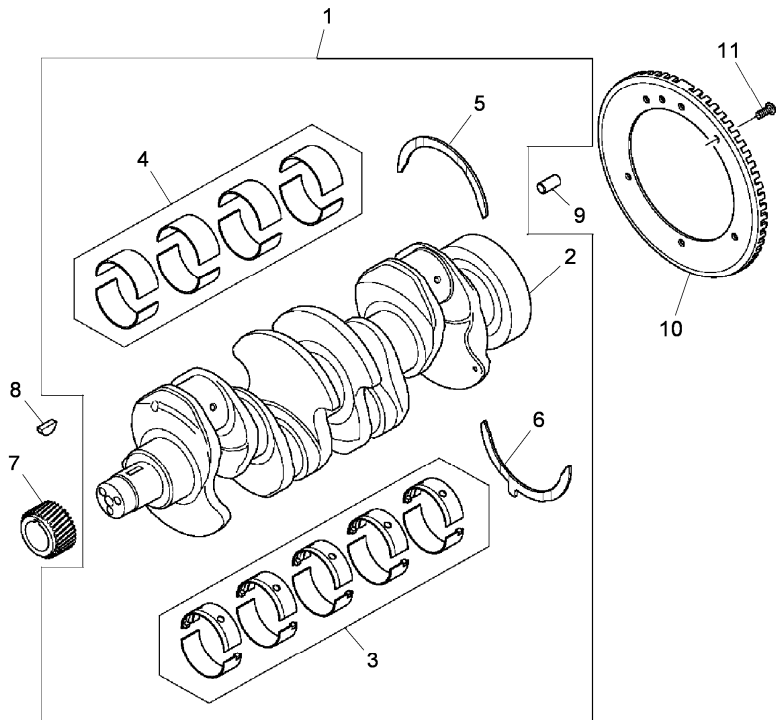


A05041

Crankshaft

RPB2\00008779.png

-  From serial or engine number
-  Not serviced, order
-  Shim
-  Replacement



Engine

Mc Power4 Tier 3 Restyling (2009-2013) - RPB2 - 120

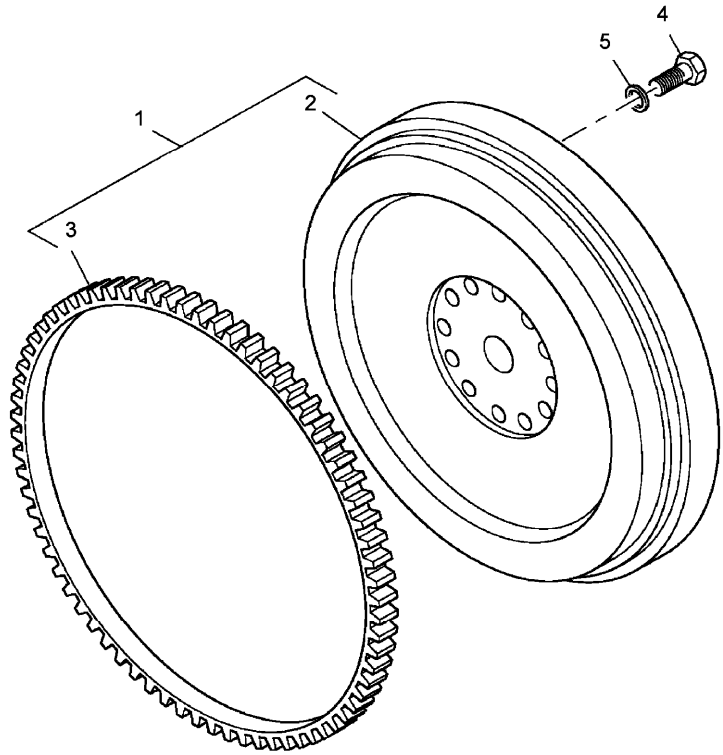
RPB2\00006984.png

A-05  
045



A05045

Flywheel



		Inglese	
1	4111D267	⊕ E-04 01 1	1 Flywheel
2		! 1	1 Flywheel
		➡ Ref.n.1	
3	0410236	! 1	1 Crownwheel
		● 3552228M1(1)	
4	0096803	⊕ E-04 01 2	10 Screw
5	33117127	⊕ E-04 01 3	10 Washer
!	This is a component of an assembly		
⊕	See page - reference number		
➡	Not serviced, order		
●	Replacement		

Engine

Mc Power4 Tier 3 Restyling (2009-2013) - RPB2 - 120

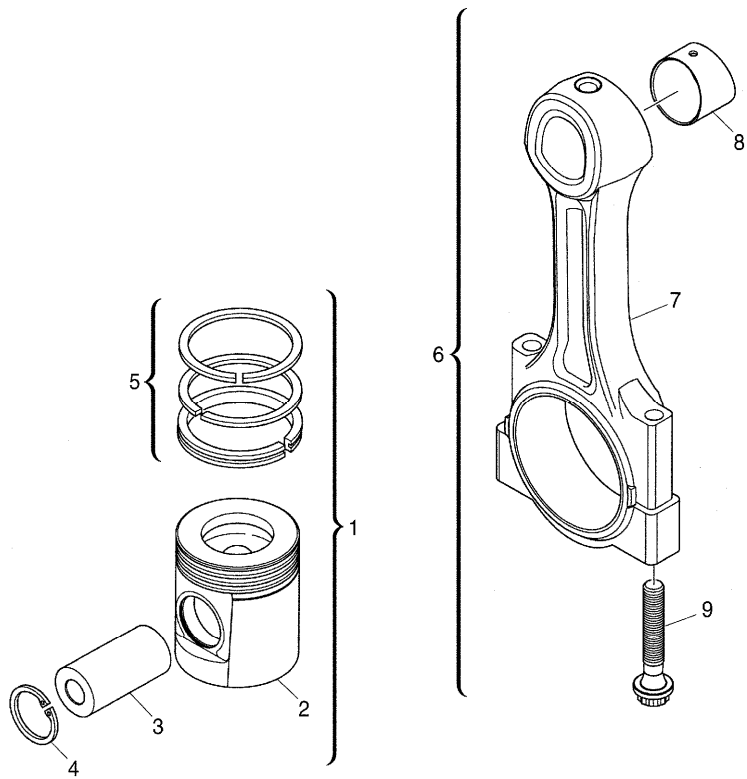
RPB2\000020562.png

A-05  
05



A0505

Pistons and connecting rods



		Inglese
1	U5PR0060	4 Kit
2	! 1	1 Piston
	➡ Ref.n.1	
3	! 1	1 Piston
	➡ Ref.n.1	
4	2721332 ! 1	2 Ring
5	UPRK0005 ! 1	1 Kit
6	4115C311 ➡ U056074t	4 Kit
	A	
	T-A 14:0	
6	4115C312 ➡ U056074t	4 Kit
	B	
	T-A 14:0	
6	4115C313 ➡ U056074t	4 Kit
	C	
	T-A 14:0	
6	4115C314 ➡ U056074t	4 Kit
	D	
	T-A 14:0	
6	4115C315 ➡ U056074t	4 Kit
	E	
	T-A 14:0	
6	4115C316 ➡ U056074t	4 Kit
	F	
	T-A 14:0	

Engine

Mc Power4 Tier 3 Restyling (2009-2013) - RPB2 - 120

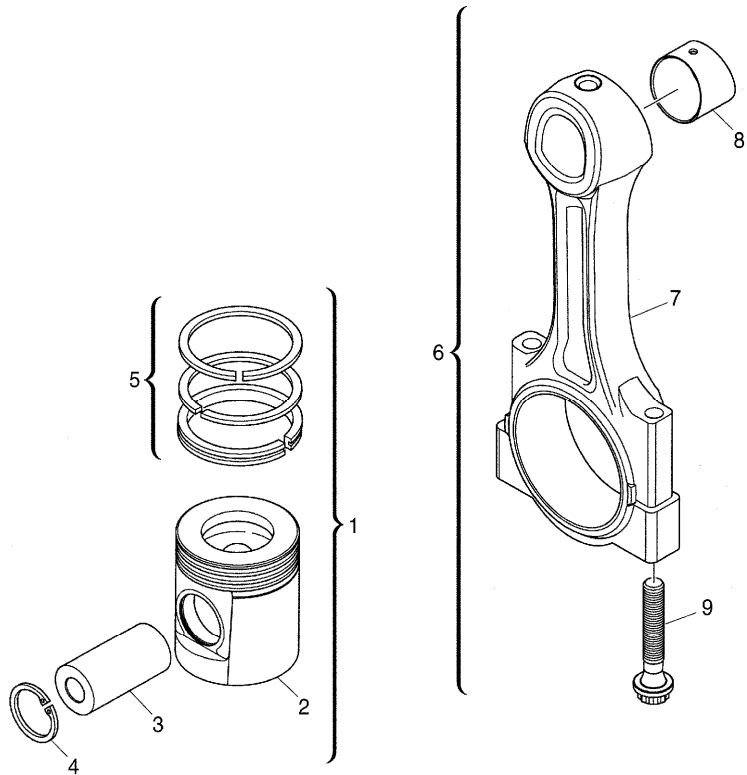
RPB2\000020562.png

**A-05**  
**05**



A0505

Pistons and connecting rods



		Inglese	
6	4115C361 ➡ U056075t	4	Conrod
	A		
6	4115C362 ➡ U056075t	4	Conrod
	B		
6	4115C363 ➡ U056075t	4	Conrod
	C		
6	4115C364 ➡ U056075t	4	Conrod
	D		
6	4115C365 ➡ U056075t	4	Conrod
	E		
6	4115C366 ➡ U056075t	4	Conrod
	F		
7	! 6	1	Conrod
	➡ Ref.n.6		
8	3112A005 ! 6	1	Bush
	T-A 14:0		
9	3212V003 ! 6	2	Screw
	➡ U056074 t		
9	T400001 ! 6	2	Screw
	➡ U056075 t		

- ! This is a component of an assembly
- ➡ From serial or engine number
- ➡ Up to serial or engine number
- ➡ Not serviced, order
- T-A Replacement
- A Red
- B Orange

Engine

Mc Power4 Tier 3 Restyling (2009-2013) - RPB2 - 120

RPB2\000020562.png

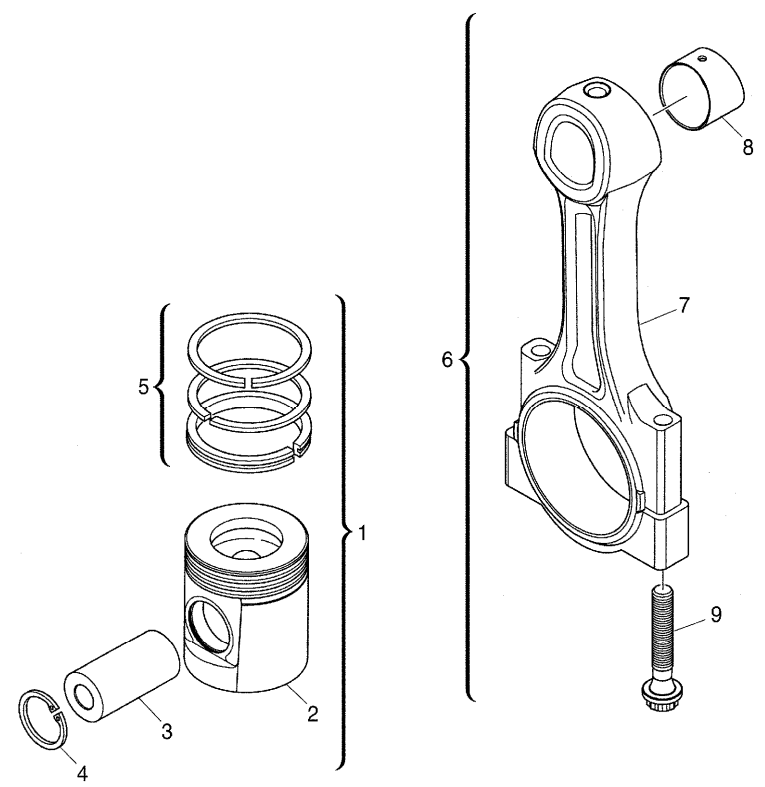
A-05  
05



A0505

Pistons and connecting rods

- C White
- D Green
- E Purple
- F Blue



Engine

Mc Power4 Tier 3 Restyling (2009-2013) - RPB2 - 120

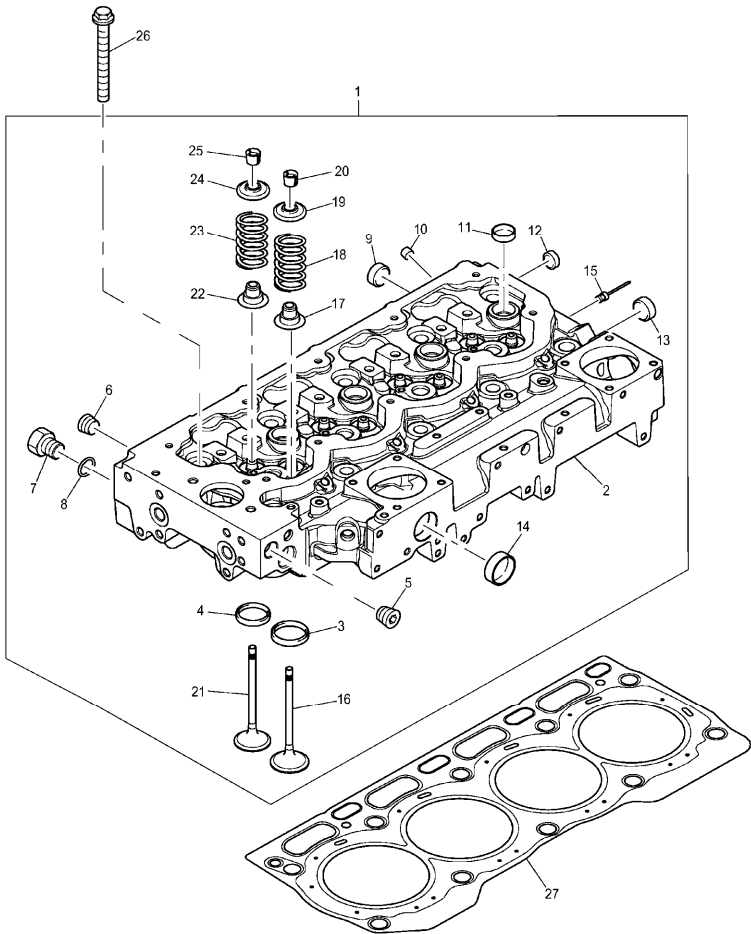
RPB2\00006974.png

A-05  
06



A0506

Cylinder head



1 ZZ80274

2

! 1

➡ Ref.n.1

3

! 1

➡ Ref.n.1

4

! 1

➡ Ref.n.1

5 2431154

! 1

6 2431154

! 1

7 3278A006

! 1

8 2415H003

! 1

9 2485A517

! 1

10 3241A201

! 1

11 2485A517

! 1

12 2485A509

! 1

13 2485A517

! 1

14 2485A524

! 1

15 2485A307

! 1

16 3142H091

! 1

17 2418M522

! 1

18 3174A028

! 1

A

19 3311A025

! 1

20 3142W005

! 1

21 3142A181

! 1

Inglese

1 Cylinder head

1 Cylinder head

8 Insert

8 Insert

1 Plug

1 Plug

1 Plug

1 Ring

4 Plug

4 Plug

4 Plug

1 Plug

1 Plug

1 Plug

1 Plug

8 Valve

8 Valve

8 Spring

8 Coperch.

16 Collet

8 Valve

Engine

Mc Power4 Tier 3 Restyling (2009-2013) - RPB2 - 120

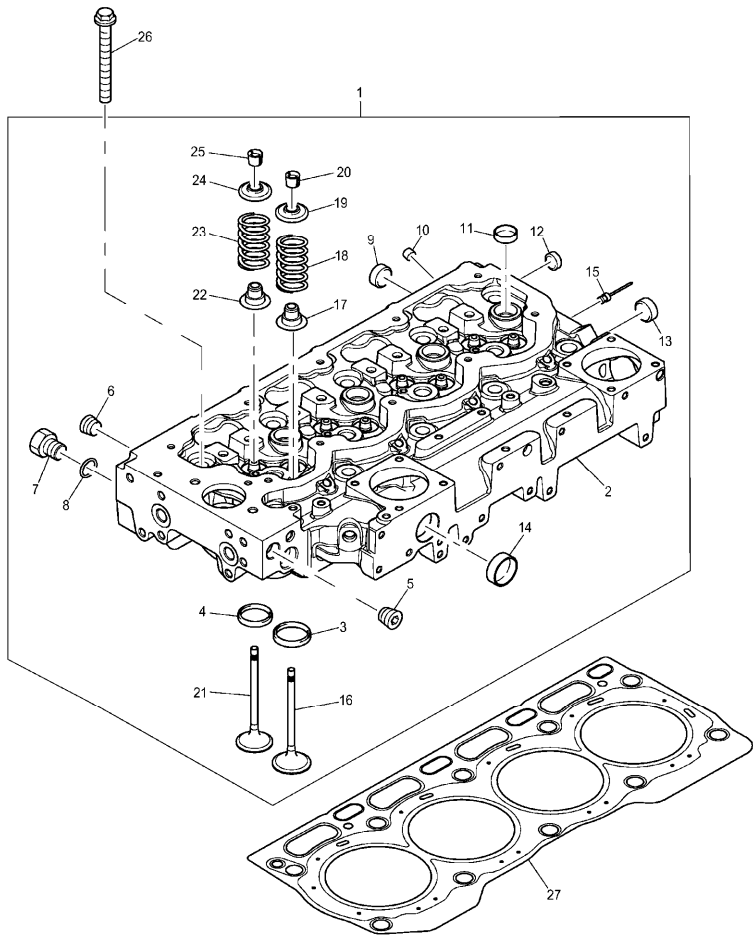
RPB2\00006974.png

A-05  
06



A0506

Cylinder head



22 2418M522 ! 1

23 3174A028 ! 1

A

24 3311A025 ! 1

25 3142W005 ! 1

26 3218A011

27 3681E074

! This is a component of an assembly

Not serviced, order

A Supplied coupled

Inglese

8 Valve

8 Spring

8 Coperch.

16 Collet

10 Screw

1 Gasket

Engine

Mc Power4 Tier 3 Restyling (2009-2013) - RPB2 - 120

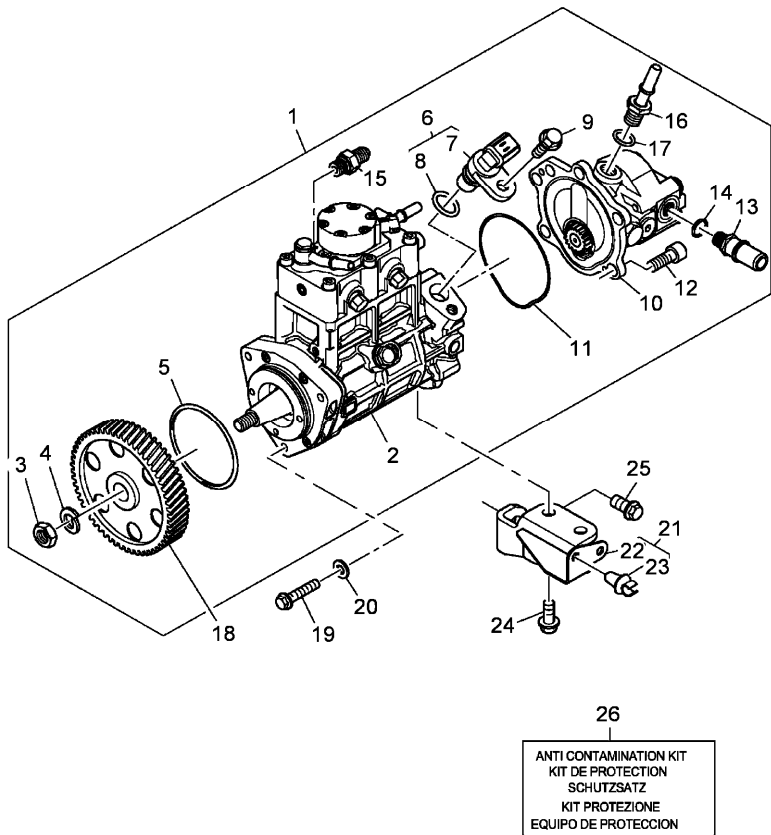
RPB2\00006979.png

A-05  
07



A0507

Injection pump assy



26  
ANTI CONTAMINATION KIT  
KIT DE PROTECTION  
SCHUTZSATZ  
KIT PROTEZIONE  
EQUIPO DE PROTECCION

		Inglese	
1	2641A408	● 2641A405(1)	1 Pump
2		! 1	1 Pump
3	2318A108	! 1	1 Nut
4	K134AF01	! 1	1 Washer
5	2415H531	! 1	1 O ring
6	U5MK1086	! 1	1 Sensor
7		A	
		! 6	1 Sensor
		▢ Ref.n.6	
8	2415H524	! 6	1 Gasket
9	2314H002	! 1	1 Screw
10	2641A307	! 1	1 Lift
		⚡ 2641a307r	
		● T400392(1)	
10	2641A307R	! 1	1 Lift
		⚡ 2641a307	
11	2415H528	! 1	1 Ring
12	2311D060	! 1	5 Screw
13	3355A028	! 1	1 Connection
14	2415H221	! 1	1 Ring
15	2441A601	! 1	1 Connection
16	3355A038		1 Connection
17	2415H221	! 1	1 Ring
18	3117L261		1 Pinion
19	2314H004		3 Screw

Engine

Mc Power4 Tier 3 Restyling (2009-2013) - RPB2 - 120

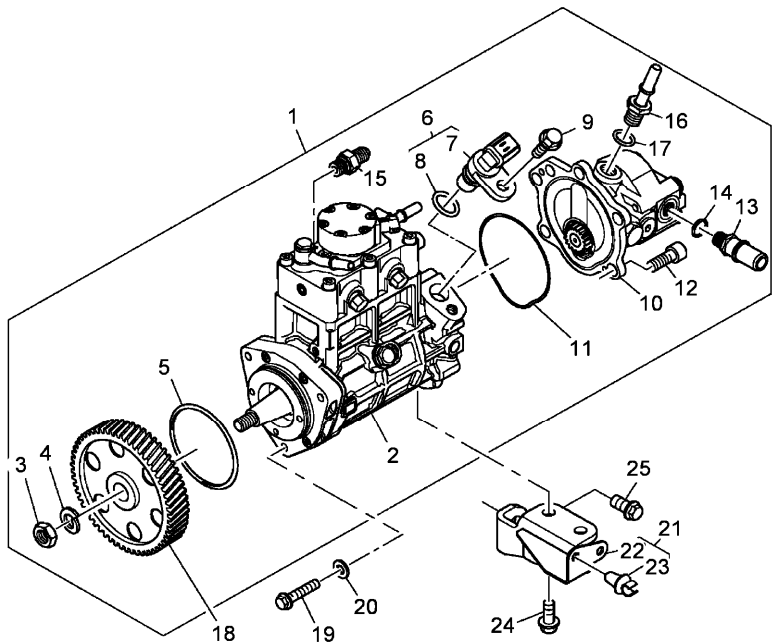
RPB2\00006979.png

A-05  
07



A0507

Injection pump assy



26  
ANTI CONTAMINATION KIT  
KIT DE PROTECTION  
SCHUTZSATZ  
KIT PROTEZIONE  
EQUIPO DE PROTECCION

20 2411D008

21 4141A188

22 ! 21

➡ Ref.n.21

23 2481D558 ! 21

24 2314H002

25 2314J002

26 U5MK1124

! This is a component of an assembly

↗ Alternative

➡ Not serviced, order

● Replacement

A Speed

Inglese

3 Washer

1 Stirrup

1 Stirrup

2 Clip

2 Screw

1 Screw

1 Kit

Engine

Mc Power4 Tier 3 Restyling (2009-2013) - RPB2 - 120

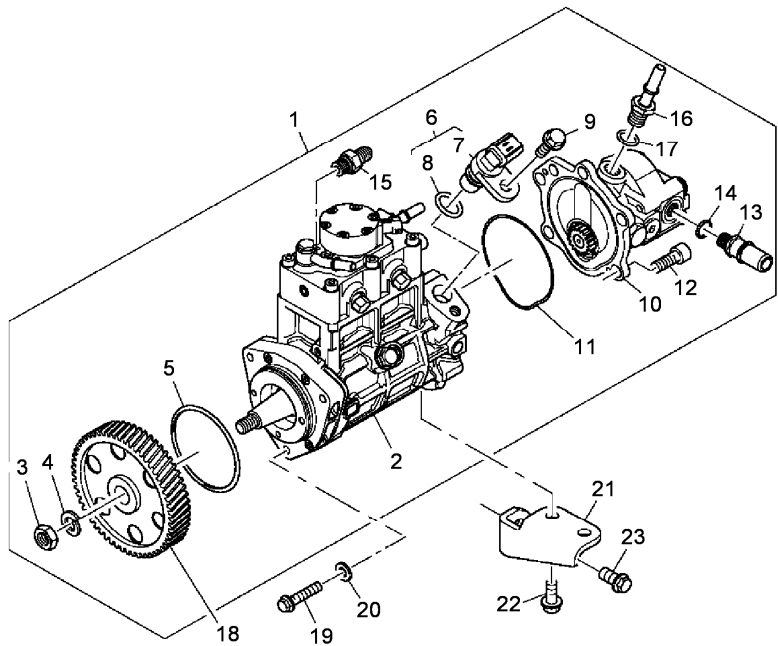
RPB2\00008783.png

**A-05  
075**



A05075

Injection pump assy



24  
ANTI CONTAMINATION KIT  
KIT DE PROTECTION  
SCHUTZSATZ  
KIT PROTEZIONE  
EQUIPO DE PROTECCION

		Inglese
-	➔ U001672p	
1	2641A405	1 Pump
2	!	1 Pump
3	2318A108	1 Nut
4	K134AF01	1 Washer
5	2415H531	1 O ring
6	U5MK1086	1 Sensor
7	A	
	!	6
	➔ Ref.n.6	
8	2415H524	1 Gasket
9	2314H002	1 Screw
10	2641A307	1 Lift
	● T400392(1)	
11	2415H528	1 Ring
12	2311D060	5 Screw
13	3355A028	1 Connection
14	2415H221	1 Ring
15	2441A601	1 Connection
16	3355A038	1 Connection
17	2415H221	! 1 Ring
18	3117L261	1 Pinion
19	2314H004	3 Screw
20	2411D008	3 Washer
21	3656A026	1 Stirrup

Engine

Mc Power4 Tier 3 Restyling (2009-2013) - RPB2 - 120

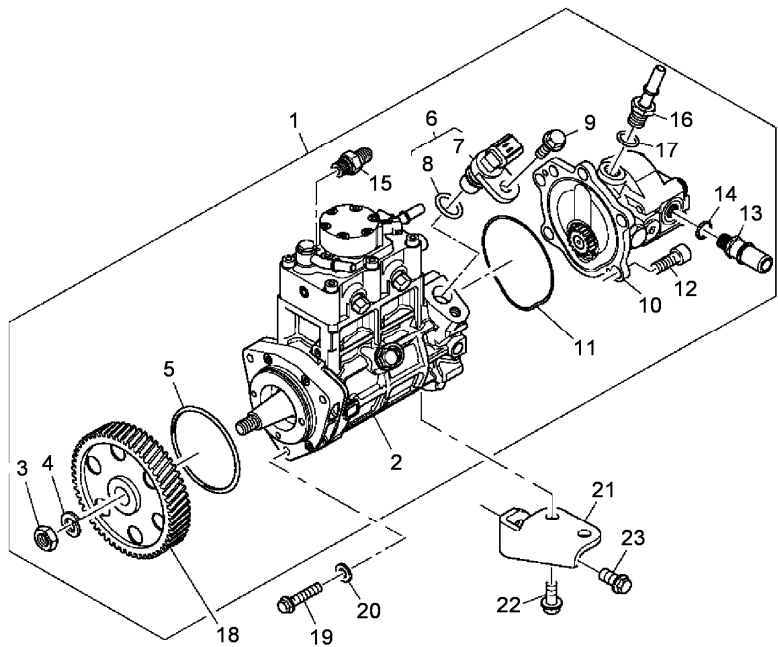
RPB2\00008783.png

A-05  
075



A05075

Injection pump assy



24  
ANTI CONTAMINATION KIT  
KIT DE PROTECTION  
SCHUTZSATZ  
KIT PROTEZIONE  
EQUIPO DE PROTECCION

Inglese

- 22 2314H002 2 Screw
- 23 2314J002 1 Screw
- 24 U5MK1124 1 Kit

- ! This is a component of an assembly
- ➔ Up to serial or engine number
- ➔ Not serviced, order
- Replacement
- A Speed

Engine

Mc Power4 Tier 3 Restyling (2009-2013) - RPB2 - 120

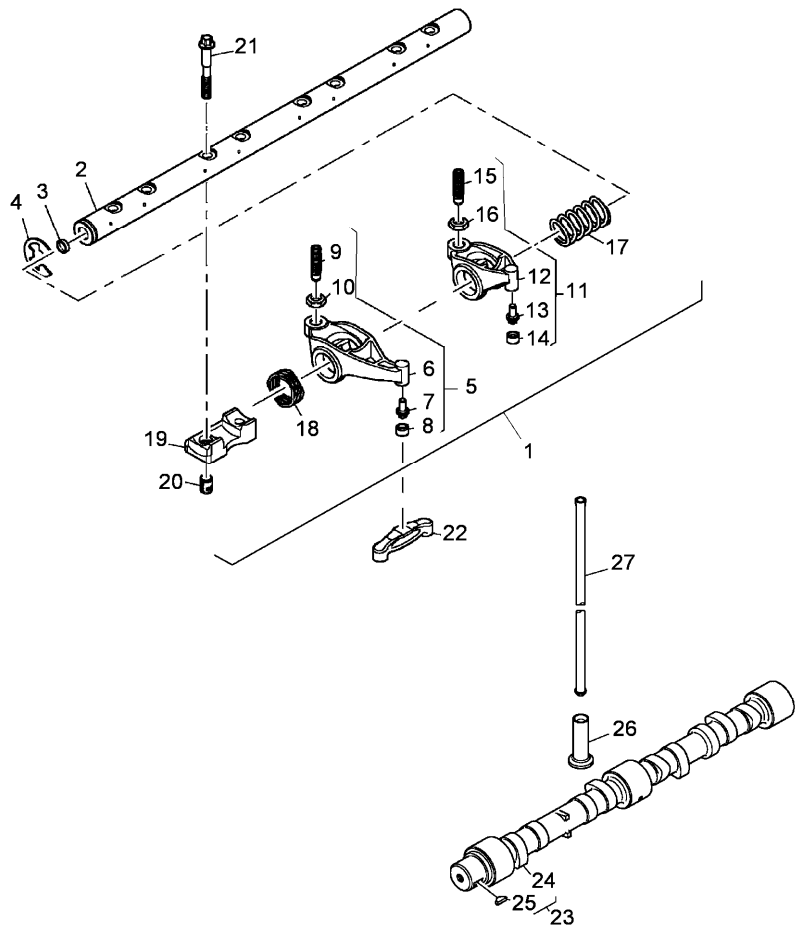
RPB2\00006975.png

A-05  
08



A0508

Rocker shaft



			Inglese
1	4115R819		1 Rocker
2		! 1	1 Shaft
		➡ Ref.n.1	
3	2485A105	! 1	2 Plug
4	2727A015	! 1	1 Ring
5	4115R317	! 1	4 Rocker
6		! 5	1 Rocker
		➡ Ref.n.5	
7		! 5	1 Insert
		➡ Ref.n.5	
8		! 5	1 Pad
		➡ Ref.n.5	
9	3211C004	! 5	1 Screw
10	3331A004	! 5	1 Nut
11	4115R316	! 1	4 Rocker
12		! 11	1 Rocker
		➡ Ref.n.11	
13		! 11	1 Insert
		➡ Ref.n.11	
14		! 11	1 Pad
		➡ Ref.n.11	
15	3211C004	! 11	1 Screw
16	3331A004	! 11	1 Nut
17	3174A023	! 1	3 Spring
18	3174A024	! 1	1 Spring

Engine

Mc Power4 Tier 3 Restyling (2009-2013) - RPB2 - 120

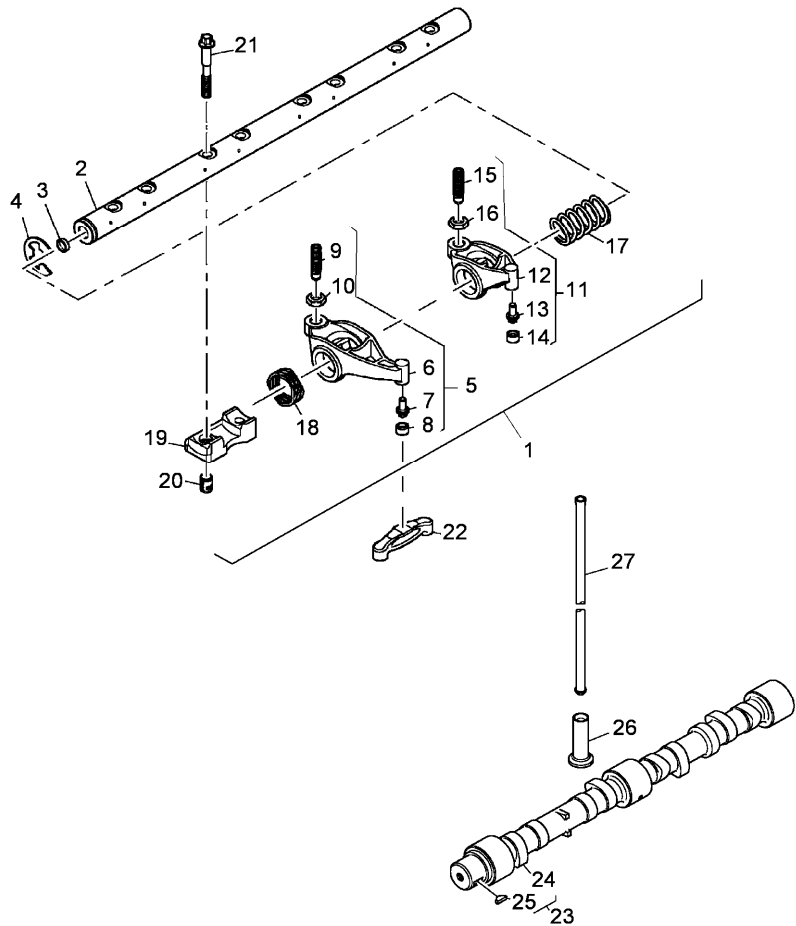
RPB2\00006975.png

A-05  
08



A0508

Rocker shaft



19	3818X161	!	1
20	3241A024	!	1
21	3218A201	!	1
22	4116A002		
23	4112K026		
24		!	23
		➡	Ref.n.23
25	0500012	!	23
26	3142U061		
27	3142V011		
!	This is a component of an assembly		
➡	Not serviced, order		

Inglese

4	Pedestal
4	Retainer
8	Screw
8	Stirrup
1	Shaft
1	Shaft
1	Key
8	Tappet
8	Rod

Engine

Mc Power4 Tier 3 Restyling (2009-2013) - RPB2 - 120

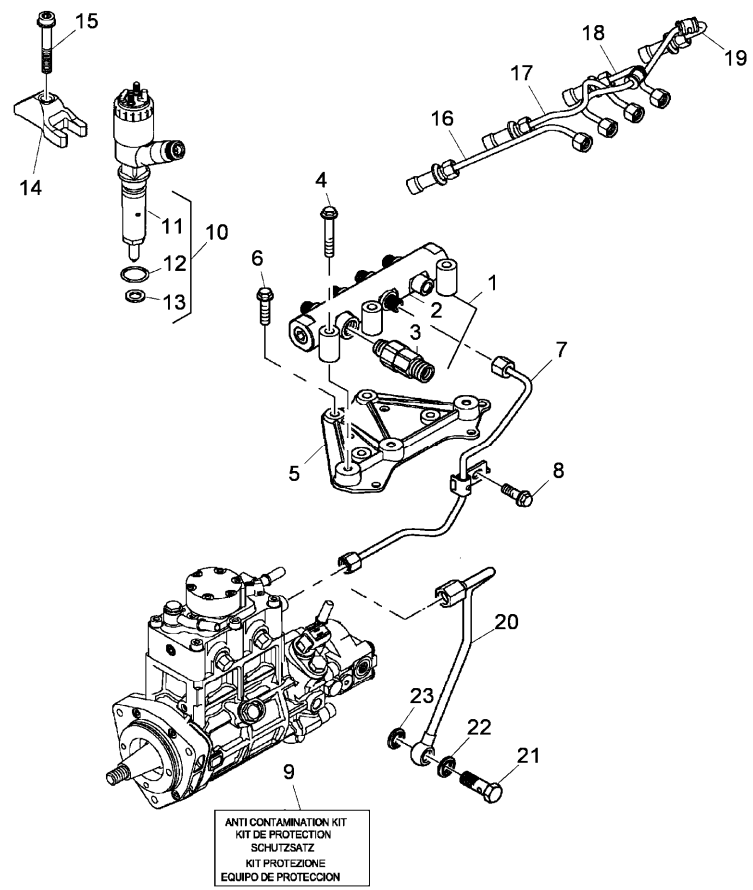
RPB2\00006980.png

**A-05  
09**



A0509

Fuel injection equipment (diesel)



		Inglese
1	3774A413	● 3774A415(1) 1 Manifold
2		! 1 1 Manifold
		➡ Ref.n.1
3	2658A301	! 1 1 Valve
		● T417873(1)
4	2314H010	3 Screw
5	3812A351	1 Stirrup
6	2314H006	4 Screw
7	3525A217	1 Pipe
8	2314H002	1 Screw
9	U5MK1124	1 Kit
10	2645A747	4 Nozzle
11		! 10 1 Nozzle
		➡ Ref.n.10
12	2415H014	! 10 1 Ring
13	2415D154	! 10 1 Washer
		➡ Ref.n.10
14	3751A331	4 Clamp
15	3218A016	4 Screw
16	3525A211	1 Pipe
17	3525A212	1 Pipe
18	3525A222	1 Pipe
19	3525A223	1 Pipe
20	3552A039	1 Pipe
21	3218R054	1 Bolt

Engine

Mc Power4 Tier 3 Restyling (2009-2013) - RPB2 - 120

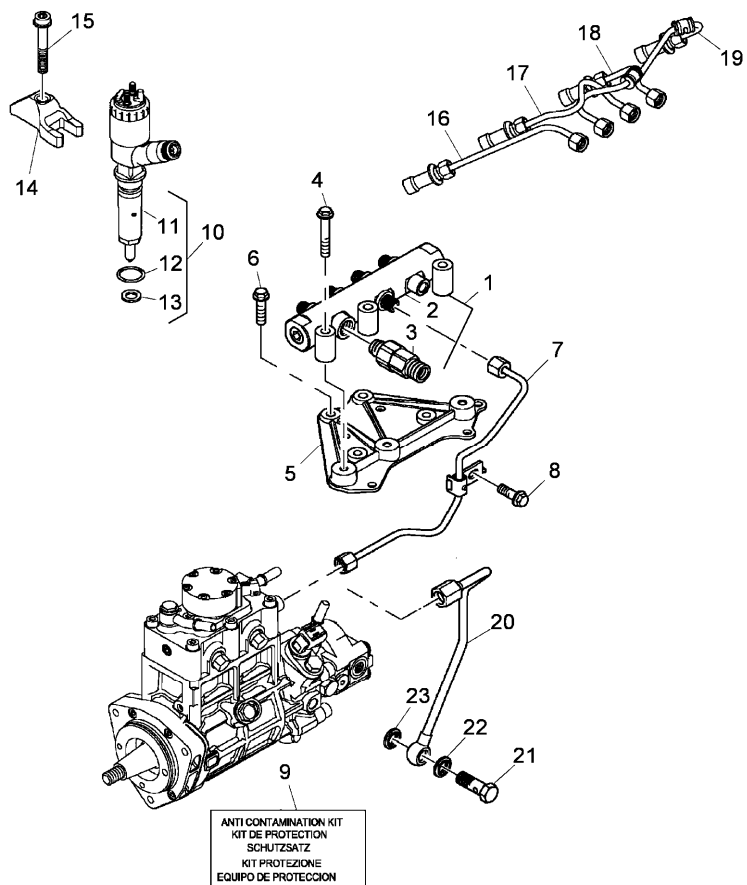
A-05  
09



A0509

Fuel injection equipment (diesel)

RPB2\00006980.png



22 2415D253

23 2415D253

! This is a component of an assembly

▣ Not serviced, order

● Replacement

Inglese

1 Washer

1 Washer

Engine

Mc Power4 Tier 3 Restyling (2009-2013) - RPB2 - 120

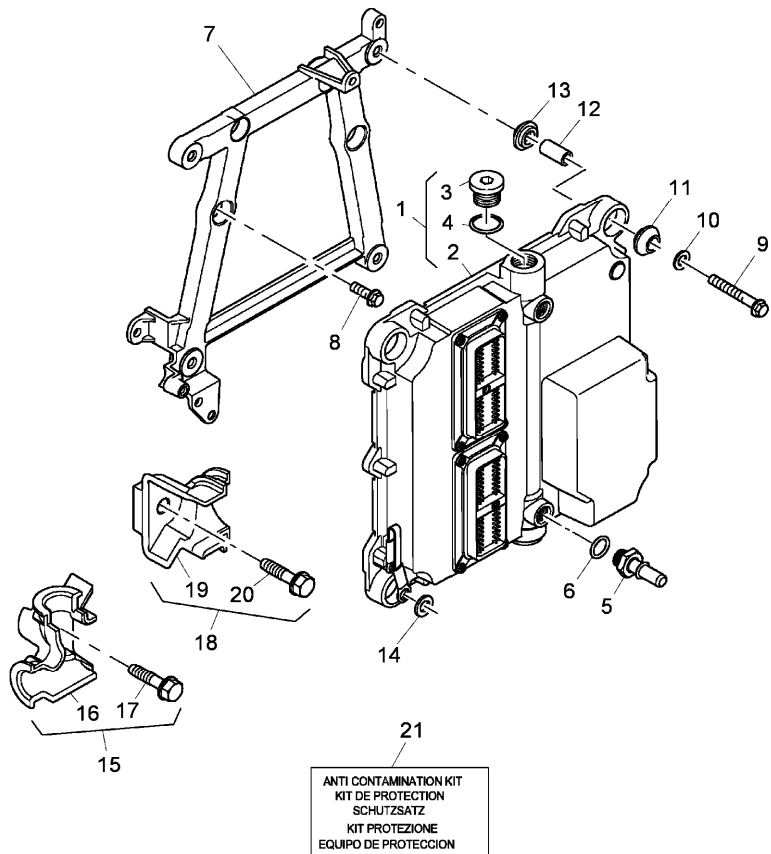
RPB2\00006981.png

**A-05  
095**



A05095

Engine control module



ANTI CONTAMINATION KIT  
KIT DE PROTECCION  
SCHUTZSATZ  
KIT PROTEZIONE  
EQUIPO DE PROTECCION

- |    |          |   |           |
|----|----------|---|-----------|
| 1  | 28170119 | ● | N.L.S.(1) |
| 2  |          | ! | 1         |
|    |          | ➡ | Ref.n.1   |
| 3  |          | ! | 1         |
|    |          | ➡ | Ref.n.1   |
| 4  | 2415H015 | ! | 1         |
| 5  | 3355A021 |   |           |
| 6  | 2415H011 |   |           |
| 7  | 3812A051 |   |           |
| 8  | 2314H033 |   |           |
| 9  | 2314H039 |   |           |
| 10 | 3311A015 |   |           |
| 11 | 2634C501 |   |           |
| 12 | 3313A027 |   |           |
| 13 | 2634C501 |   |           |
| 14 | 2131A008 |   |           |
| 15 | 4175A005 |   |           |
| 16 |          | ! | 15        |
|    |          | ➡ | Ref.n.15  |
| 17 | 2314E949 | ! | 15        |
| 18 | 4175A006 |   |           |
| 19 |          | ! | 18        |
|    |          | ➡ | Ref.n.18  |
| 20 | 2314E949 | ! | 18        |
| 21 | U5MK1124 |   |           |

**Inglese**

- |   |                         |
|---|-------------------------|
| 1 | Electr.contr.unit       |
| 1 | Electronic unit control |
| 2 | Plug                    |
| 2 | Ring                    |
| 2 | Connection              |
| 2 | Ring                    |
| 1 | Stirrup                 |
| 4 | Screw                   |
| 4 | Screw                   |
| 5 | Washer                  |
| 4 | Support                 |
| 4 | Spacer                  |
| 4 | Support                 |
| 1 | Washer                  |
| 1 | Clip                    |
| 1 | Stop                    |
| 1 | Screw                   |
| 1 | Clip                    |
| 1 | Stop                    |
| 1 | Screw                   |
| 1 | Kit                     |



**Suggest:**

**For more complete manuals. Please go to the home page.**

**<https://www.ebooklibonline.com>**

**If the above button click is invalid. Please download this document first, and then click the above link to download the complete manual.**

**Thank you so much for reading**

Engine

Mc Power4 Tier 3 Restyling (2009-2013) - RPB2 - 120

RPB2\00006981.png

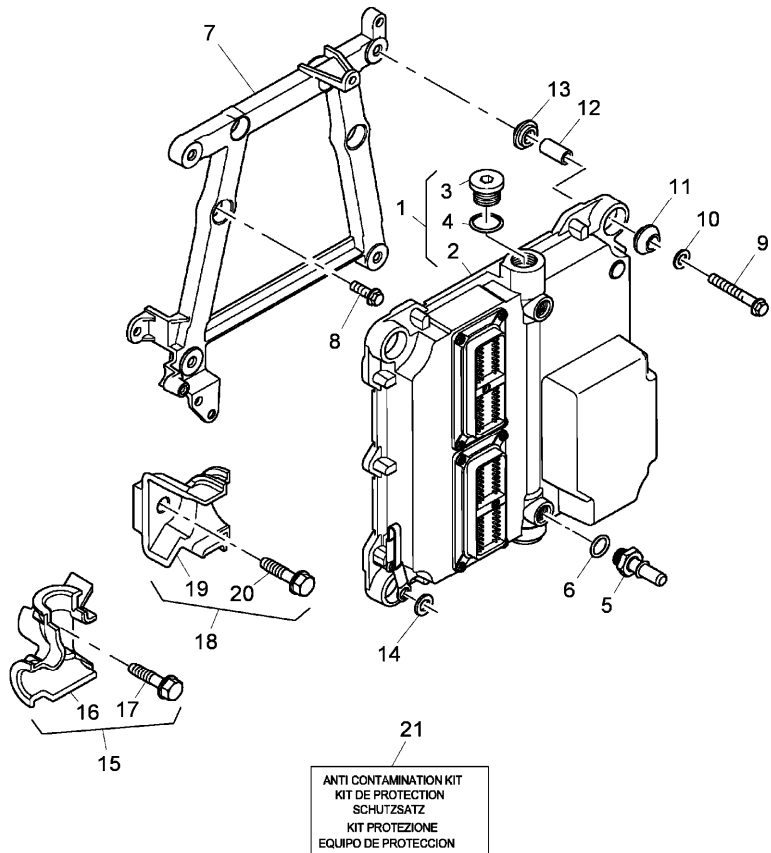
A-05  
095



A05095

Engine control module

- ! This is a component of an assembly
- ▶ Not serviced, order
- Replacement



Engine

Mc Power4 Tier 3 Restyling (2009-2013) - RPB2 - 120

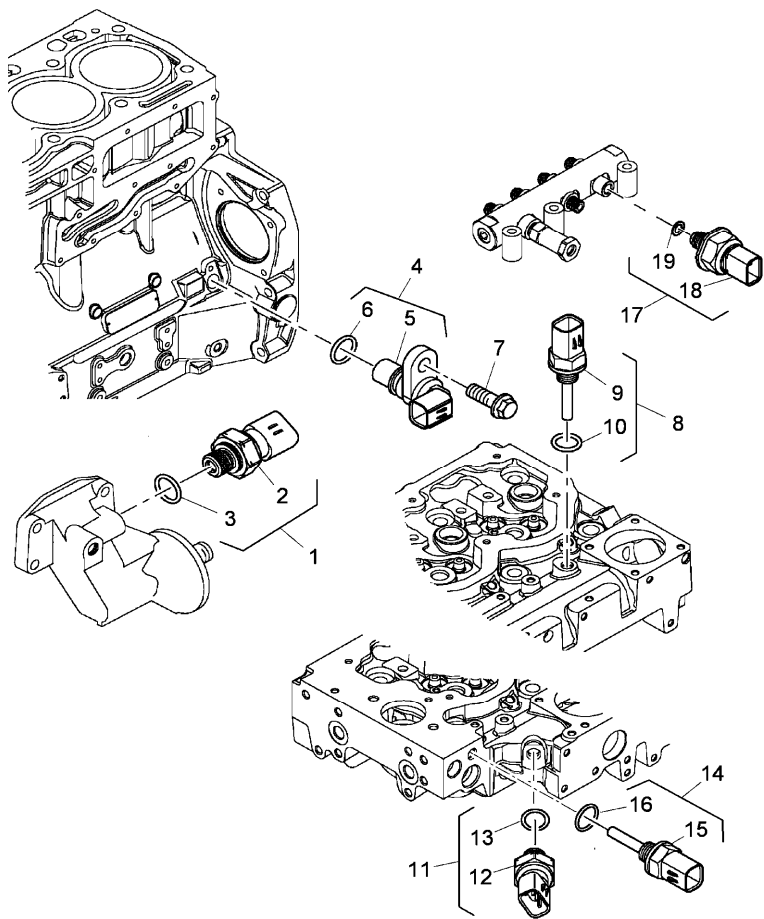
A-05  
10



A0510

Sensors

RPB2\00006983.png



			Inglese
1	U5MK1088	A	1 Sensor
2		!	1 Sensor
		➡	Ref.n.1
3	2415H002	!	1 Ring
4	U5MK1234	B	1 Sensor
5		!	1 Sensor
		➡	Ref.n.4
6	2415H014	!	1 Ring
7	2314H002		1 Screw
8	U5MK1089	C	1 Sensor
9		!	1 Sensor
		➡	Ref.n.8
10	2415H523	!	1 Ring
11	U5MK1090	D	1 Sensor
12		!	1 Sensor
		➡	Ref.n.11
13	2415H001	!	1 Gasket
14	U5MK1091	E	1 Sensor
15		!	1 Sensor
		➡	Ref.n.14
16	2415H002	!	1 Ring
17	U5MK1236	F	1 Sensor
18		!	1 Sensor
		➡	Ref.n.17
19	3311A053	!	1 Washer

**<https://www.ebooklibonline.com>**

Hello dear friend!

Thank you very much for reading.

Enter the link into your browser.

The full manual is available for immediate download.

**<https://www.ebooklibonline.com>**