

Engine

Mc Power4 Tier 3 Restyling (2009-2013) - RPB2 - 115

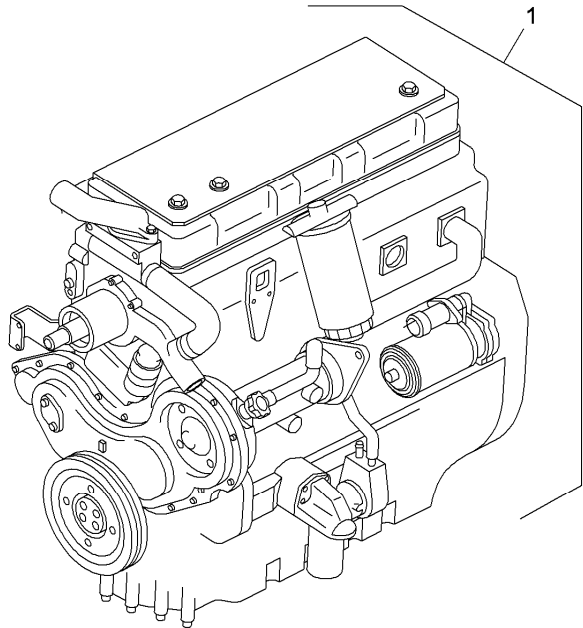
RPB2\00005987.PNG

A-05  
01



A0501

Engine assembly



			Inglese
1	6510948M91	Perkins nm51679	1 Engine
		A	
1	6512314M91	Perkins nm70717	1 Engine
		B	
		D	
1	716279A1	Perkins nm75004	1 Engine
A	Tier 3b		
B	Flexibility engine		
D	Nao		

Engine

Mc Power4 Tier 3 Restyling (2009-2013) - RPB2 - 115

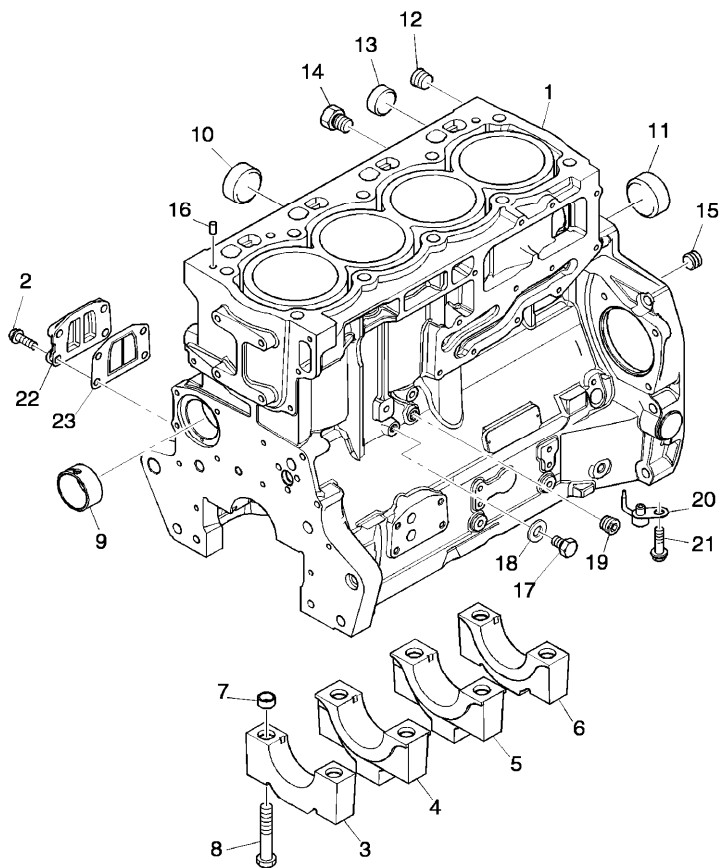
RPB2\000022252.png

A-05  
02



A0502

Cylinders block



		Inglese	
1	ZZ50321	● ZZ50325(1)	1 Block
2	2314H034	! 1	4 Screw
3		! 1	1 Bearing cup
		➡ Ref.n.1	
4		! 1	1 Bearing cup
		➡ Ref.n.1	
5		! 1	1 Bearing cup
		➡ Ref.n.1	
6		! 1	1 Bearing cup
		➡ Ref.n.1	
7	33142111	! 1	10 Manicott
8	32166329	! 1	10 Screw
9	3112D071	! 1	1 Bush
		● 3112D075(1)	
10	3241A011	! 1	2 Plug
11	3241A012	! 1	1 Plug
12	0650588	! 1	1 Plug
13	0650710	! 1	1 Plug
14	32141316	! 1	1 Plug
15	3212P008	! 1	1 Plug
16	3244A009	! 1	2 Dowel
17	2314C049	! 1	1 Screw
18	2415D053	! 1	1 Washer
19	0650594	! 1	1 Plug
20	2113A003	! 1	4 Atomiser

Engine

Mc Power4 Tier 3 Restyling (2009-2013) - RPB2 - 115

RPB2\000022252.png

A-05  
02



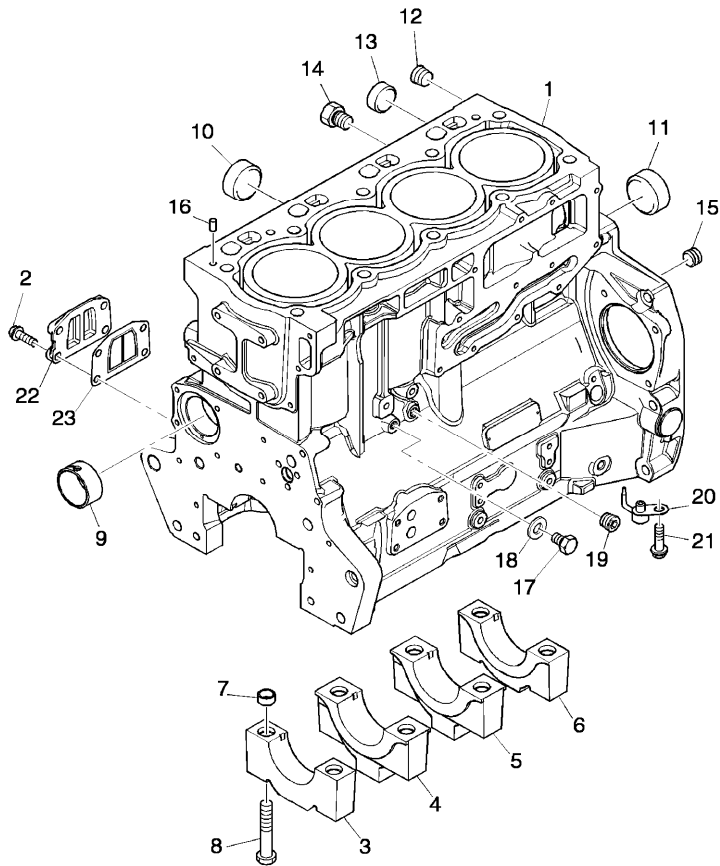
A0502

Cylinders block

Inglese

21	2314F001	!	1	4	Screw
22	3753A071	!	1	1	Coperch.
23	3688A041	!	1	1	Gasket

- ! This is a component of an assembly
- 🔧 Not serviced, order
- Replacement



**<https://www.ebooklibonline.com>**

Hello dear friend!

Thank you very much for reading.

Enter the link into your browser.

The full manual is available for immediate download.

**<https://www.ebooklibonline.com>**

Engine

Mc Power4 Tier 3 Restyling (2009-2013) - RPB2 - 115

RPB2\000015074.png

A-05  
03



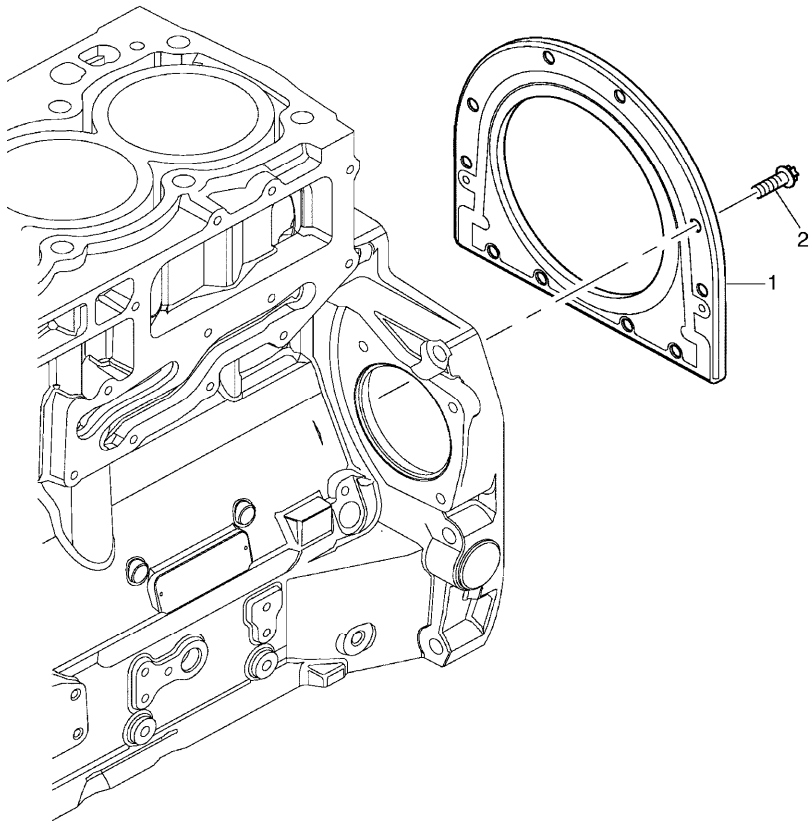
A0503

End cover

Inglese

- 1 2418F704
- 2 3211C002

- 1 Housing
- 10 Screw



Engine

Mc Power4 Tier 3 Restyling (2009-2013) - RPB2 - 115

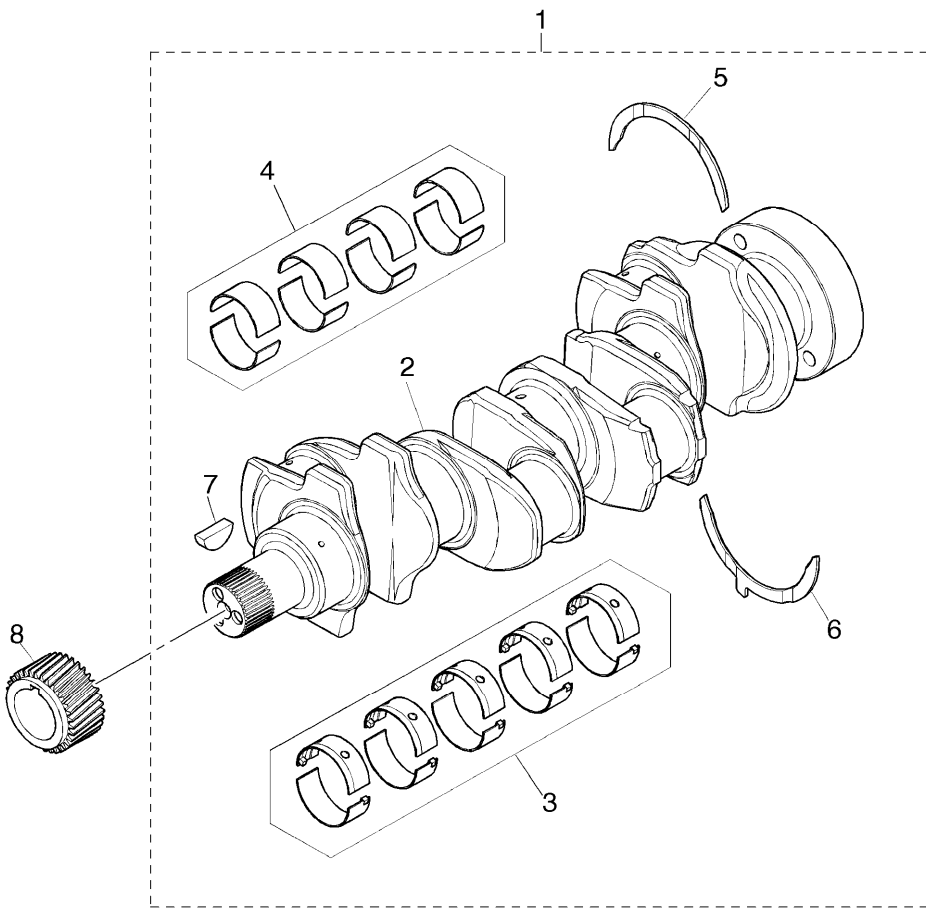
RPB2\000022253.png

A-05  
04



A0504

Crankshaft



		Inglese	
1	ZZ90222	➔ U491476 t	1 Kit
		● ZZ90239(1)	
1	ZZ90237	➔ U491477 t	1 Shaft
2		! 1	1 Crankshaft
		➔ Ref.n.1	
3	U5MB0018	! 1	1 Kit
		● U5MB0033(1)	
3	U5MB0018A	! 1	1 Kit
		⚡ 0.010 mm	
		● U5MB0033A(1)	
3	U5MB0018B	! 1	1 Kit
		⚡ 0.020 mm	
		● U5MB0033B(1)	
3	U5MB0018C	! 1	1 Kit
		⚡ 0.030 mm	
		● N.L.A.(1)	
4	T400002	! 1	1 Kit
		➔ U491477 t	
		● T410927(1)	
4	U5ME0026	! 1	1 Kit
		➔ U491476 t	
		● U5ME0034(1)	
4	U5ME0026A	! 1	1 Kit
		⚡ 0.25 mm	
		➔ U491476 t	
		● U5ME0034A(1)	

Engine

Mc Power4 Tier 3 Restyling (2009-2013) - RPB2 - 115

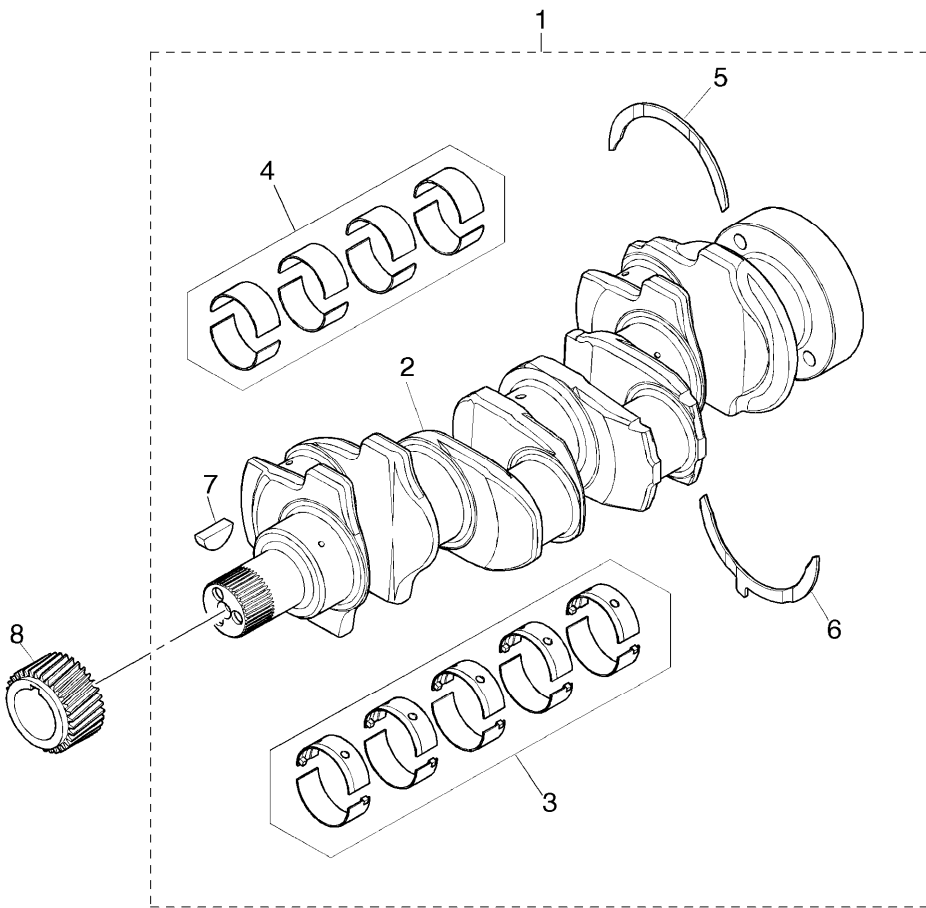
RPB2\000022253.png

A-05  
04



A0504

Crankshaft



		Inglese	
4	U5ME0026B	! 1	1 Kit
	⚡	0.50 mm	
	➔	U491476 t	
	●	U5ME0034B(1)	
4	U5ME0026C	! 1	1 Kit
	⚡	0.75 mm	
	➔	U491476 t	
	●	U5ME0034C(1)	
5	31137312	! 1	2 Ring
	⚡	0.007 mm	
5	31137551	! 1	2 Washer
6	31137322	! 1	2 Ring
	⚡	0.007 mm	
6	31137561	! 1	2 Washer
7	0500012	! 1	1 Key
8	3117C221	! 1	1 Gear
!	This is a component of an assembly		
➔	From serial or engine number		
⬇	Up to serial or engine number		
⚡	Not serviced, order		
⚡	Shim		
●	Replacement		

Engine

Mc Power4 Tier 3 Restyling (2009-2013) - RPB2 - 115

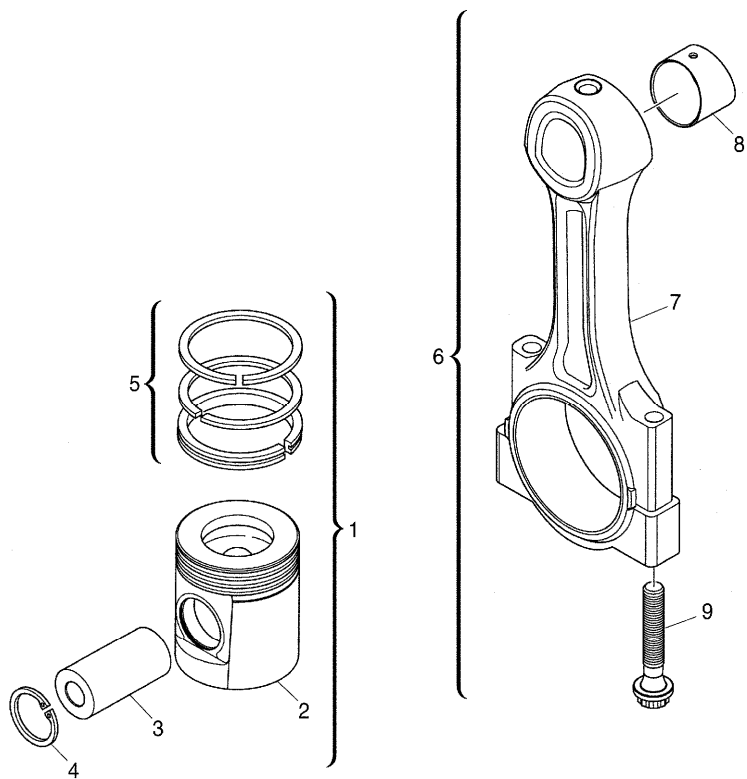
RPB2\000020562.png

A-05  
05



A0505

Pistons and connecting rods



			Inglese
1	U5PR0062	Std	4 Kit
1	U5PR0062B	+0,5 mm	4 Kit
2		! 1	1 Piston
		➡ Ref.n.1	
3		! 1	1 Piston
		➡ Ref.n.1	
4	2721332	! 1	2 Ring
5	UPRK0005	! 1	1 Kit
6	4115C311	➡ U491477 t	4 Kit
	A		
	T-A	14:0	
6	4115C312	➡ U491477 t	4 Kit
	B		
	T-A	14:0	
6	4115C313	➡ U491477 t	4 Kit
	C		
	T-A	14:0	
6	4115C314	➡ U491477 t	4 Kit
	D		
	T-A	14:0	
6	4115C315	➡ U491477 t	4 Kit
	E		
	T-A	14:0	
6	4115C316	➡ U491477 t	4 Kit
	F		
	T-A	14:0	

Engine

Mc Power4 Tier 3 Restyling (2009-2013) - RPB2 - 115

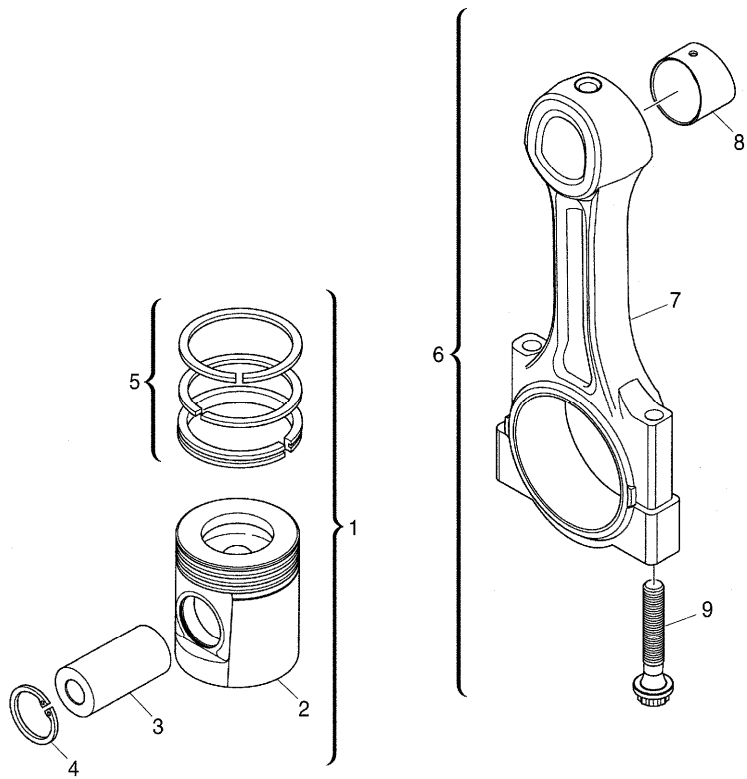
RPB2\000020562.png

**A-05**  
**05**



A0505

Pistons and connecting rods



		Inglese	
6	4115C361	➡ U491478 t	4 Conrod
		A	
6	4115C362	➡ U491478 t	4 Conrod
		B	
6	4115C363	➡ U491478 t	4 Conrod
		C	
6	4115C364	➡ U491478 t	4 Conrod
		D	
6	4115C365	➡ U491478 t	4 Conrod
		E	
6	4115C366	➡ U491478 t	4 Conrod
		F	
7		! 6	1 Conrod
		➡ Ref.n.6	
8	3112A005	! 6	1 Bush
		T-A 14:0	
9	3212V003	! 6	2 Screw
		➡ U056074 t	
9	T400001	! 6	2 Screw
		➡ U056075 t	

- ! This is a component of an assembly
- ➡ From serial or engine number
- ➡ Up to serial or engine number
- ➡ Not serviced, order
- T-A Replacement
- A Red
- B Orange

Engine

Mc Power4 Tier 3 Restyling (2009-2013) - RPB2 - 115

RPB2\000020562.png

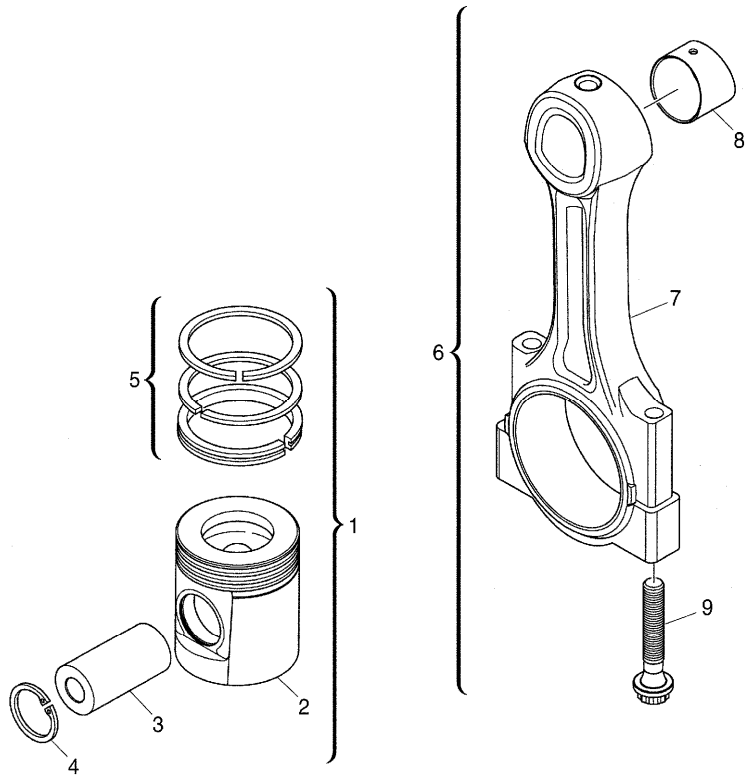
A-05  
05



A0505

Pistons and connecting rods

- C White
- D Green
- E Purple
- F Blue



Engine

Mc Power4 Tier 3 Restyling (2009-2013) - RPB2 - 115

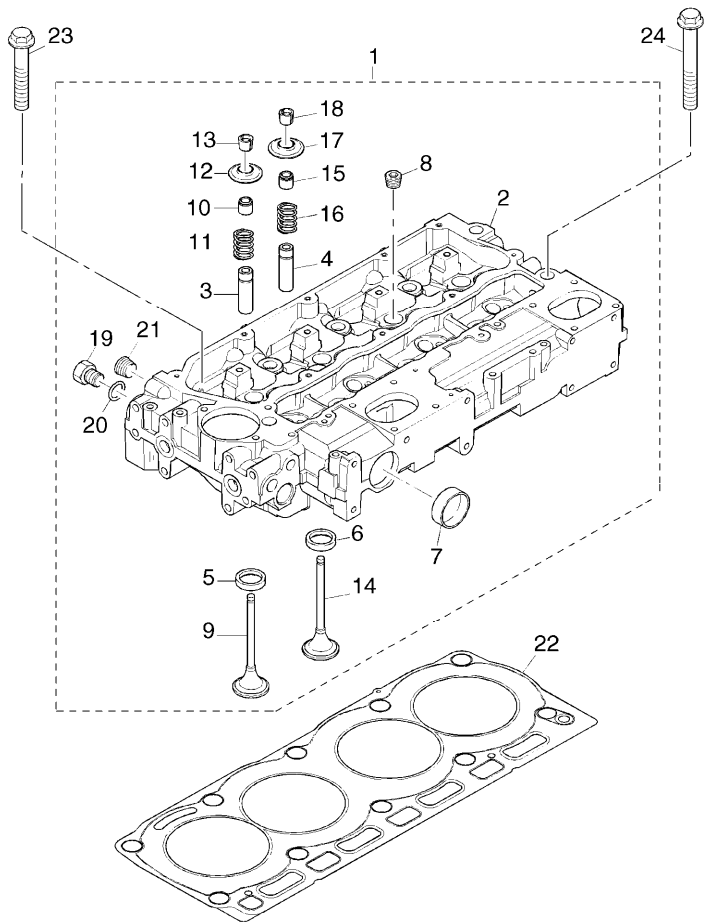
RPB2\000022254.png

**A-05  
06**



A0506

Cylinder head



1	ZZ80279		
2		!	1
		➡	Ref.n.1
3	3313A012	!	1
4	3313A012	!	1
5	3314A221	!	1
6	3314A231	!	1
7	32416117	!	1
8	0650588	!	1
9	3142H101	!	1
10	2418M519	!	1
		A	
11	3174A031	!	1
		●	T417479(4)
12	3342A021	!	1
13	2714A002	!	1
14	3142A171	!	1
15	2418M517	!	1
		B	
16	3174A031	!	1
		●	T417479(4)
17	3342A021	!	1
18	2714A002	!	1
19	3278A006	!	1
20	2415H003	!	1

**Inglese**

1	Cylinder head
1	Cylinder head
4	Insert
4	Insert
4	Insert
4	Insert
2	Plug
4	Plug
4	Valve
4	Ring
4	Spring
4	Coperch.
8	Collar
4	Valve
4	Ring
4	Spring
4	Coperch.
8	Collar
1	Plug
1	Ring

Engine

A-05  
06

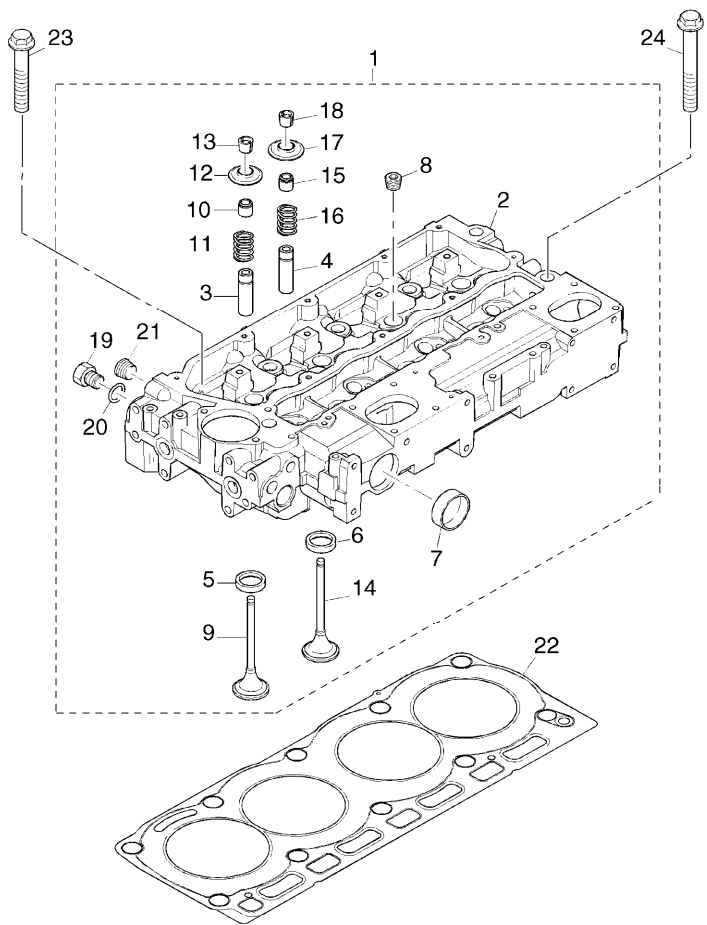
Cylinder head

Mc Power4 Tier 3 Restyling (2009-2013) - RPB2 - 115



A0506

RPB2\000022254.png



21 2431154 ! 1

22 3681E051

23 3218A011

24 3218A012

! This is a component of an assembly

🔧 Not serviced, order

⬤ Replacement

A Green

B Brown

Inglese

2 Plug

1 Gasket

7 Screw

3 Screw

Engine

Mc Power4 Tier 3 Restyling (2009-2013) - RPB2 - 115

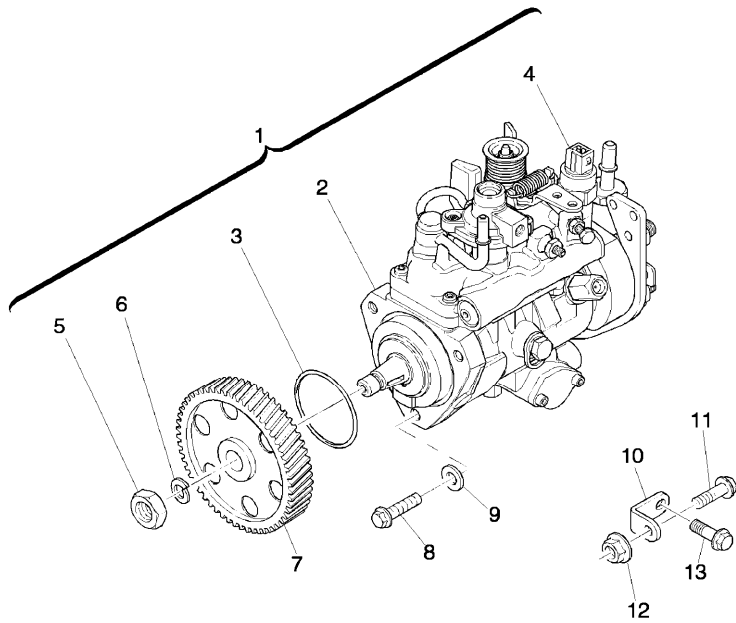
RPB2\000022255.png

A-05  
07



A0507

Injection pump assy



- |    |                                    |   |         |  |
|----|------------------------------------|---|---------|--|
| 1  | 2644C311/22                        |   |         |  |
| 2  |                                    | ! | 1       |  |
|    |                                    | ➡ | Ref.n.1 |  |
| 3  | 26420318                           | ! | 1       |  |
| 4  | 26420469                           | ! | 1       |  |
| 5  | 2318A108                           | ! | 1       |  |
| 6  | K134AF01                           | ! | 1       |  |
| 7  | 3117L261                           |   |         |  |
| 8  | 2314H004                           |   |         |  |
| 9  | 2411D008                           |   |         |  |
| 10 | 3641A007                           |   |         |  |
| 11 | 2314H003                           |   |         |  |
| 12 | 2318A603                           |   |         |  |
| 13 | 2314J002                           |   |         |  |
| !  | This is a component of an assembly |   |         |  |
| ➡  | Not serviced, order                |   |         |  |

Inglese

- |   |          |
|---|----------|
| 1 | Pump     |
| 1 | Pump     |
| 1 | Ring     |
| 1 | Solenoid |
| 1 | Nut      |
| 1 | Washer   |
| 1 | Gear     |
| 3 | Screw    |
| 3 | Washer   |
| 1 | Stirrup  |
| 1 | Screw    |
| 1 | Nut      |
| 1 | Screw    |

Engine

Mc Power4 Tier 3 Restyling (2009-2013) - RPB2 - 115

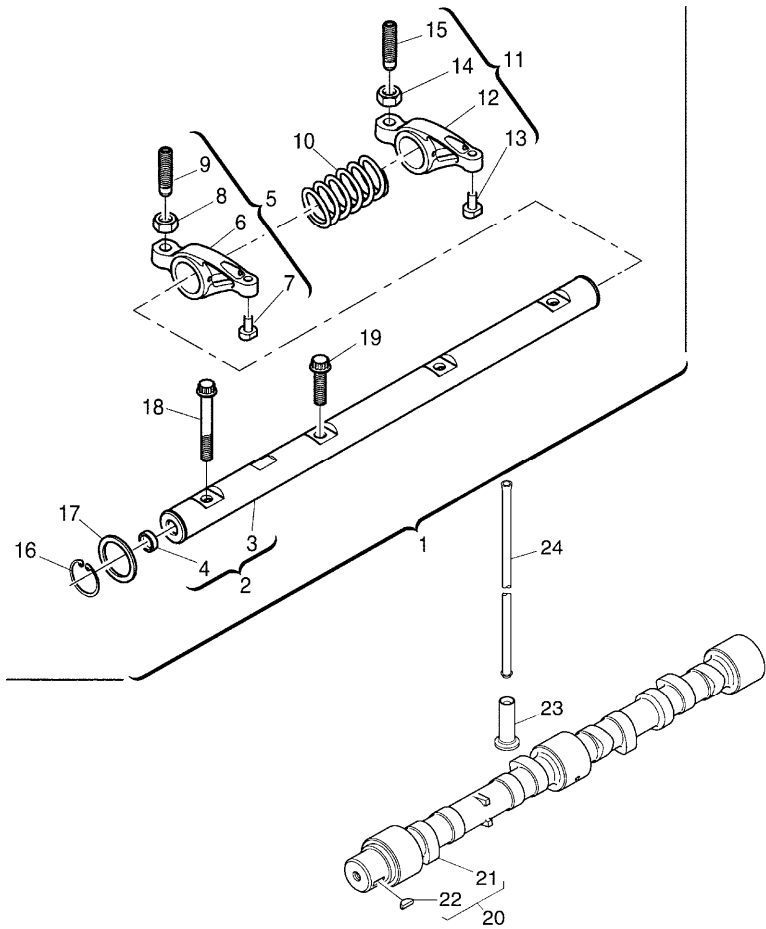
RPB2\000015075.png

A-05  
08



A0508

Rocker shaft



			Inglese
1	4115R613		1 Axle
2	4115R703	! 1	1 Shaft
3		! 2	1 Axe
4	2485A104	! 2	2 Plug
5	4115R319	! 1	4 Lever
6		! 5	1 Rocker
7		! 5	1 Pad
8	3331A006	! 5	1 Nut
9	3211C004	! 5	1 Screw
10	3174A015	! 1	3 Spring
11	4115R318	! 1	4 Lever
12		! 11	1 Rocker
13		! 11	1 Pad
14	3331A006	! 11	1 Nut
15	3211C004	! 11	1 Screw
16	2722A022	! 1	2 Ring
17	2134A502	! 1	2 Washer
18	2316A901	! 1	1 Screw
19	2316A902	! 1	3 Screw
20	4112K027		1 Shaft

Engine

Mc Power4 Tier 3 Restyling (2009-2013) - RPB2 - 115

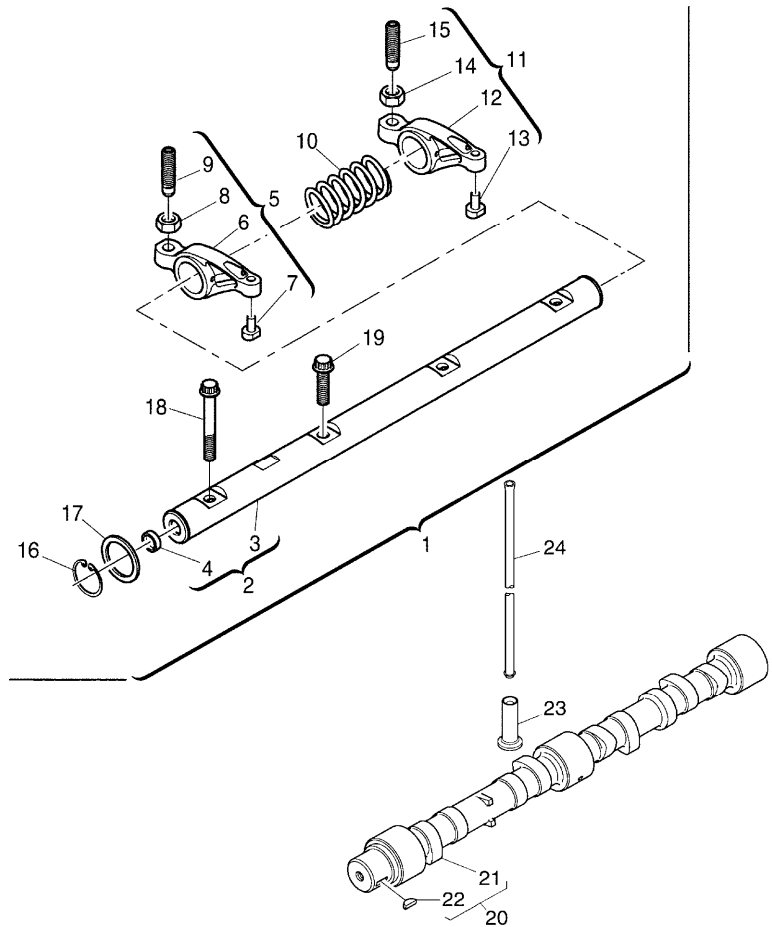
RPB2\000015075.png

A-05  
08



A0508

Rocker shaft



- 21 ! 20
- 22 0500012 ! 20
- 23 3142U061 ! 20
- 24 3142V011 ! 20
- ! This is a component of an assembly
- ▣ Not serviced, order

Inglese

- 1 Shaft
- 1 Key
- 8 Tappet
- 8 Rod

Engine

Mc Power4 Tier 3 Restyling (2009-2013) - RPB2 - 115

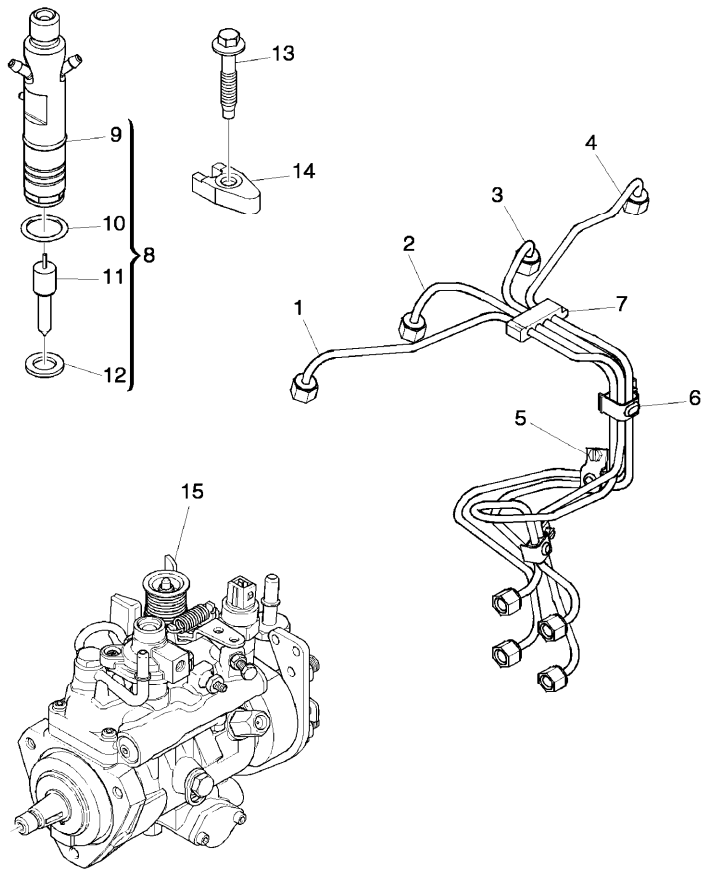
RPB2\000022256.png

A-05  
09



A0509

Fuel injection equipment (diesel)



		Inglese
1	3525A101	1 Pipe
2	3525A102	1 Pipe
3	3525A103	1 Pipe
4	3525A104	1 Pipe
5	2481Y011	2 Clip
6	2481Y012	1 Clip
7	2646E019	1 Clip
8	2645K026	4 Nozzle
9	! 8	1 Nozzle
	➡ Ref.n.8	
10	26460064 ! 8	1 Ring
11	! 8	1 Nozzle
	➡ Ref.n.8	
12	L311FF02 ! 8	1 Washer
13	2314W009	4 Screw
14	3751A241	4 Clamp
15	👁 A-05 07 1	1 Injection pump

! This is a component of an assembly

👁 See page - reference number

➡ Not serviced, order

Engine

Mc Power4 Tier 3 Restyling (2009-2013) - RPB2 - 115

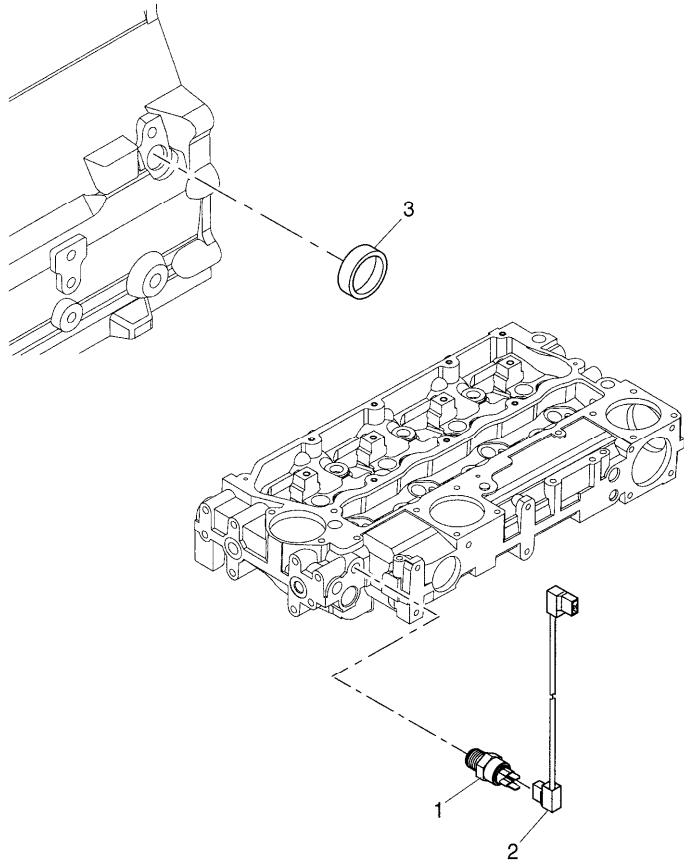
RPB2\000020530.png

A-05  
10



A0510

Sensor pickup



- 1 2848A123
- 2 3161C017
- 3 2485A109

Inglese

- 1 Sensor
- 1 Cable
- 1 Plug

Engine

Mc Power4 Tier 3 Restyling (2009-2013) - RPB2 - 115

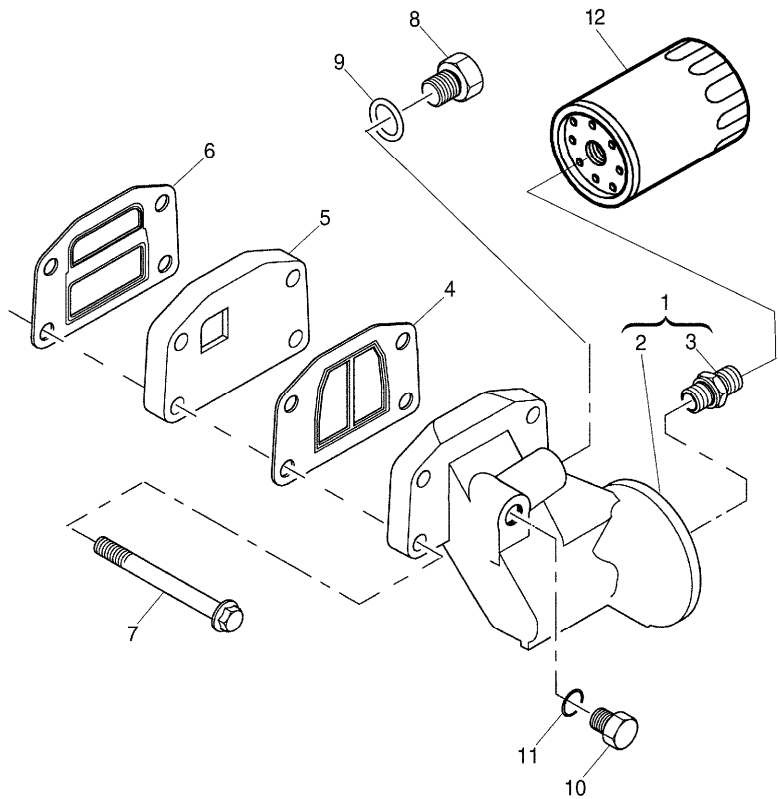
RPB2\000020539.png

A-05  
11



A0511

Lube oil filters



		Inglese	
1	4134E057	● 3773A071(1)	1 Head
2		! 1	1 Head
3	33554128	➡ Ref.n.1	
4	3688A041	! 1	1 Union
5	3773A081		1 Gasket
6	3688A039		1 Adaptor
7	2314H038		1 Gasket
8	3278A004		4 Screw
9	2415H002		1 Plug
10	3278A007		1 Ring
11	2415H009		1 Plug
12	701899A1		1 O ring
			1 Oil filter

- ! This is a component of an assembly
- ➡ Not serviced, order
- Replacement

Engine

Mc Power4 Tier 3 Restyling (2009-2013) - RPB2 - 115

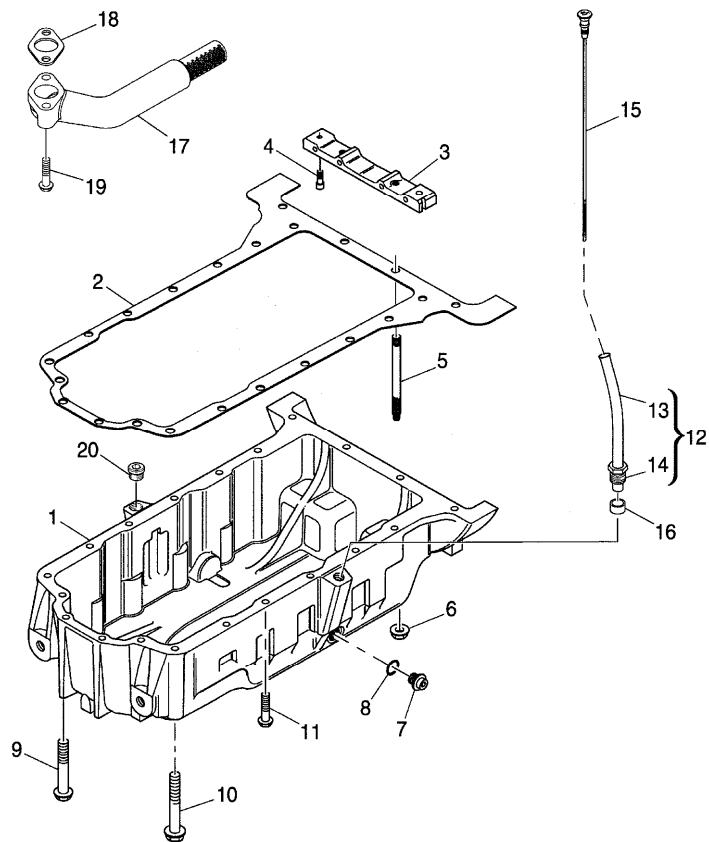
RPB2\000014129.png

A-05  
12



A0512

Oil sump



- 1 3717E261
- 2 3681K036
- 3 3627P041
- 4 2311D039
- 5 3211P013
- 6 2318A603
- 7 32186405
- 8 2415715
- 9 2314H023
- 10 2314H022
- 11 2314H015
- 12 3577A125
- 13
- 14 3353D005
- 15 3178C088
- 16 33812116
- 17 3765A111
- 18 36832137
- 19 2314H006
- 20 2431A016

● 2314H052(1)

➡ Ref.n.12

! 12

- ! This is a component of an assembly
- ➡ Not serviced, order
- Replacement

Inglese

- 1 Sump
- 1 Gasket
- 1 Crosspiece
- 2 Screw
- 2 Stud
- 2 Nut
- 2 Plug
- 2 Ring
- 5 Screw
- 1 Screw
- 12 Screw
- 1 Pipe
- 1 Pipe
- 1 Nut
- 1 Rod
- 1 Olive
- 1 Pipe
- 1 Gasket
- 2 Screw
- 1 Plug

Engine

Mc Power4 Tier 3 Restyling (2009-2013) - RPB2 - 115

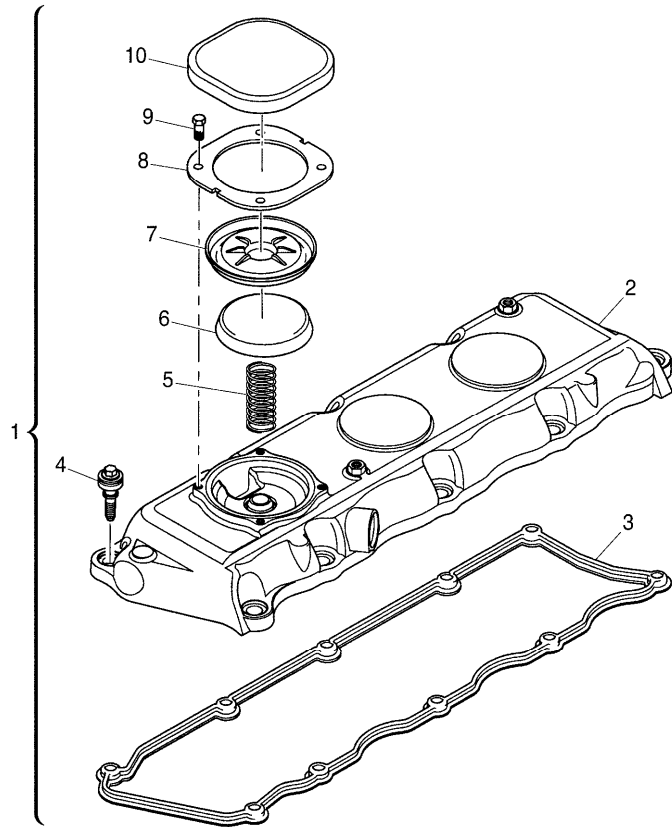
RPB2\000020533.png

A-05  
13



A0513

Cylinder head cover



				Inglese
1	4142X325	●	T417478(1)	1 Coperch.
2		!	1	1 Cover
3	3681A055	▶	Ref.n.1	
4		!	1	1 Gasket
5	3174A017	▶	Ref.n.1	10 Screw
6	3788A002	!	1	1 Spring
7	3789A001	!	1	1 Cap
8	3615A009	!	1	1 Diaphragm
9	2151A001	!	1	1 Plate
10	3788A003	!	1	4 Screw
		!		1 Cap
		!	This is a component of an assembly	
		▶	Not serviced, order	
		●	Replacement	

Engine

Mc Power4 Tier 3 Restyling (2009-2013) - RPB2 - 115

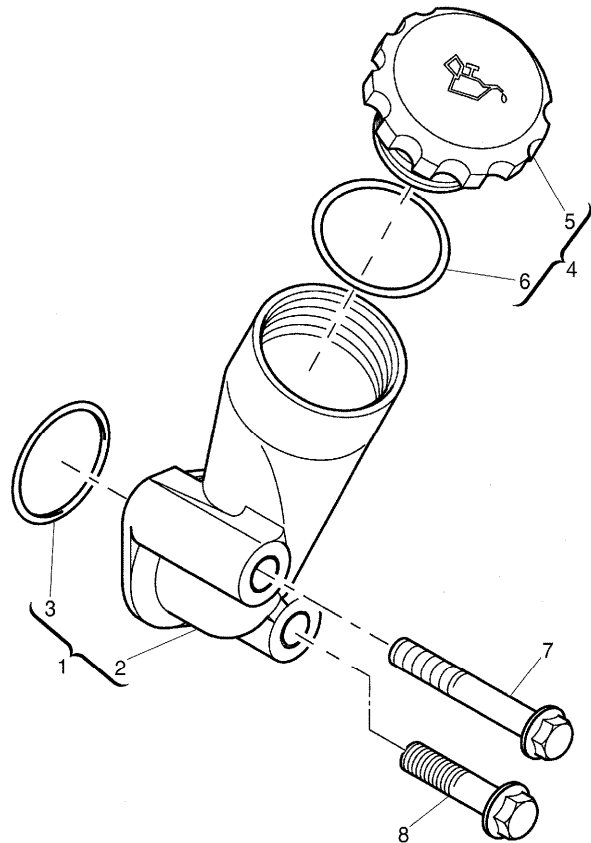
RPB2\000020589.png

A-05  
14



A0514

Filler



			Inglese
1	4134C019	● N.L.S.(1)	1 Filler
2		! 1	1 Body
		➡ Ref.n.1	
3	2415B121	! 1	1 O ring
4	4142X098	! 1	1 Plug
5		! 4	1 Plug
		➡ Ref.n.4	
6	2415633	! 4	1 O ring
7	2314K161		1 Screw
8	2314H008		1 Screw

- ! This is a component of an assembly
- ➡ Not serviced, order
- Replacement

Engine

Mc Power4 Tier 3 Restyling (2009-2013) - RPB2 - 115

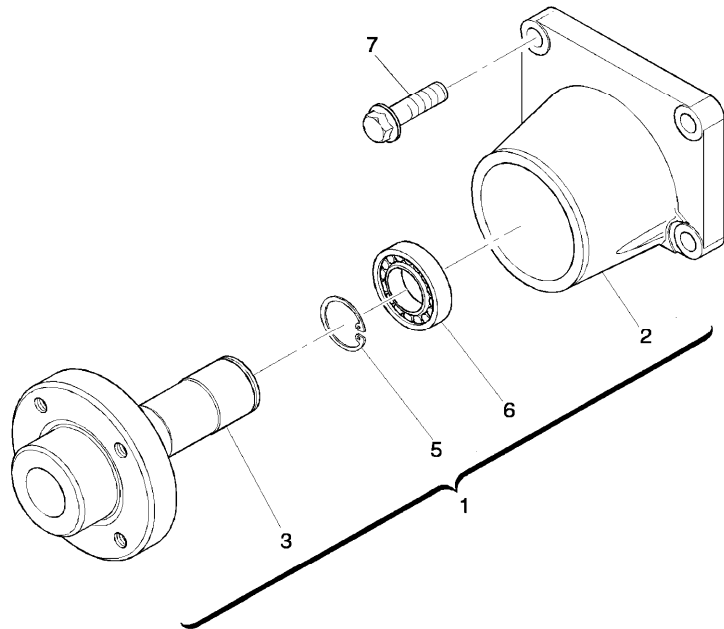
RPB2\000022257.png

A-05  
15



A0515

Fan's support



- |   |                                    |   |         |
|---|------------------------------------|---|---------|
| 1 | 4113K007                           |   |         |
| 2 |                                    | ! | 1       |
|   |                                    | ➤ | Ref.n.1 |
| 3 |                                    | ! | 1       |
|   |                                    | ➤ | Ref.n.1 |
| 4 |                                    | ! | 1       |
|   |                                    | ➤ | Ref.n.1 |
| 5 | 2722A022                           | ! | 1       |
| 6 |                                    | ! | 1       |
|   |                                    | ➤ | Ref.n.1 |
| 7 | 2314J005                           |   | 4       |
| ! | This is a component of an assembly |   |         |
| ➤ | Not serviced, order                |   |         |

Inglese

- |   |         |
|---|---------|
| 1 | Stirrup |
| 1 | Stirrup |
| 1 | Hub     |
| 1 | Spacer  |
| 1 | Ring    |
| 2 | Bearing |
| 4 | Screw   |

Engine

Mc Power4 Tier 3 Restyling (2009-2013) - RPB2 - 115

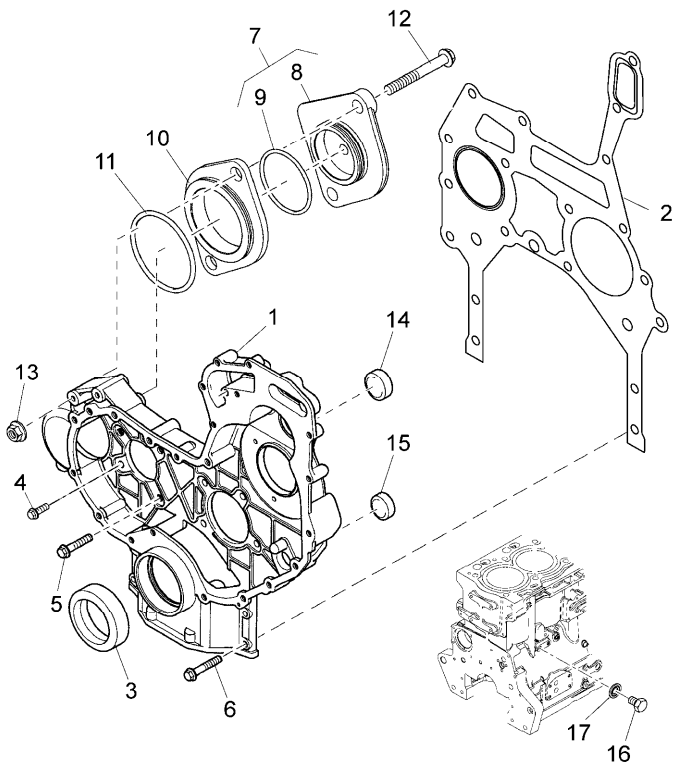
RPB2\000015081.png

A-05  
16



A0516

Gasket sets



		Inglese
1	3716C581	1 Housing
2	3681P053	1 Gasket
3	2418F437	1 Gasket
4	2314H003	6 Screw
5	2314H006	2 Screw
6	2314H034	4 Screw
7	4148K012	1 Plate
8	!	7
	➡ Ref.n.7	1 Plate
9	2415H515	! 7
		1 Ring
10	3617A021	1 Disc
11	2415H516	1 O ring
12	2314J014	2 Screw
13	2318A604	2 Nut
14	2485A124	1 Plug
15	2485A124	1 Plug
16	2314C049	1 Screw
17	2415D053	1 Washer

! This is a component of an assembly

➡ Not serviced, order

Engine

Mc Power4 Tier 3 Restyling (2009-2013) - RPB2 - 115

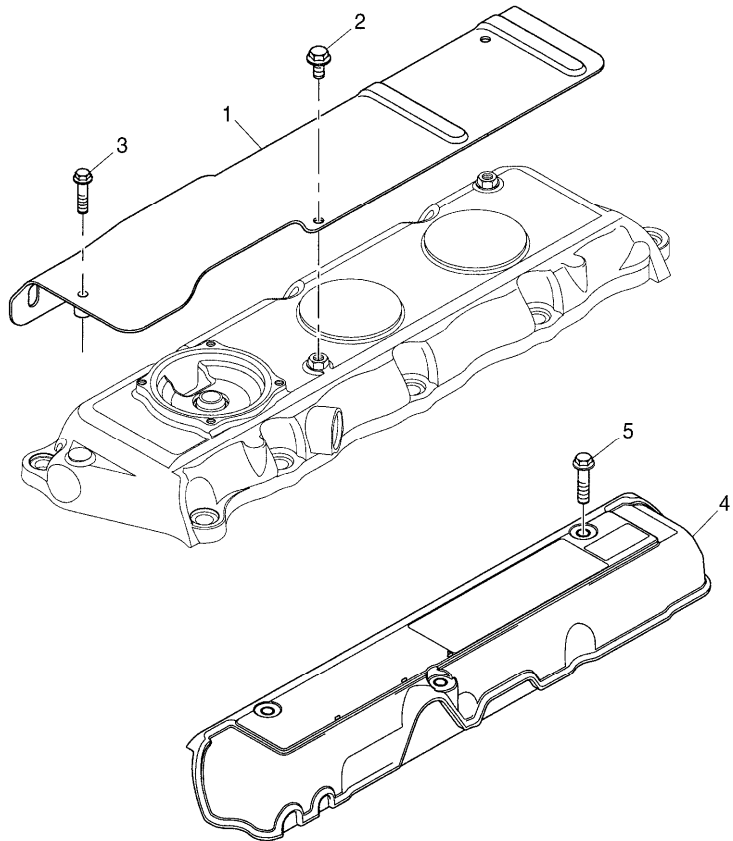
RPB2\000020537.png

A-05  
17



A0517

Cylinder head cover



- 1 3812A026
- 2 2314F001
- 3 2314F006
- 4 3788N003
- 5 2314F003

Inglese

- 1 Heatshield
- 2 Screw
- 1 Screw
- 1 Cover
- 3 Screw

Engine

Mc Power4 Tier 3 Restyling (2009-2013) - RPB2 - 115

RPB2\000015031.png

A-05  
18



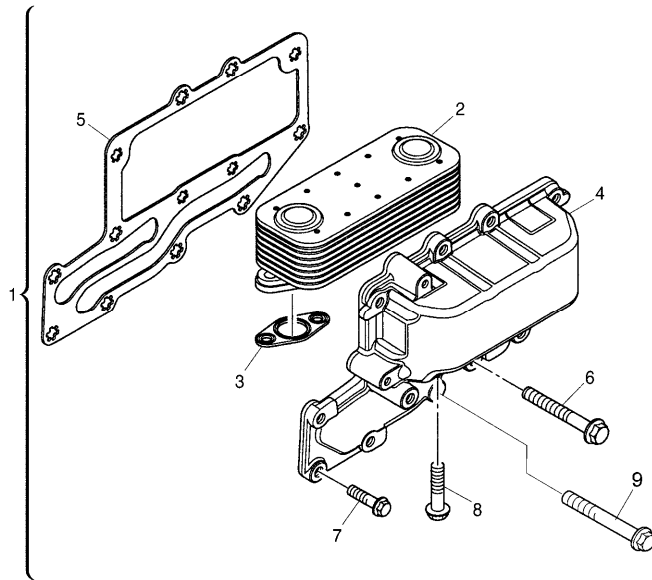
A0518

Oil bath air filter - lautrette

Inglese

1	4134W021	●	4134W025(1)	1	Radiator
2	2486A217	!	1	1	Exchanger
3	3685A025	!	1	2	Ring
4		!	1	1	Cooler
		➡	Ref.n.1		
5	3685A033	!	1	1	Gasket
6	2314K161	!	1	3	Screw
7	2314H004	!	1	8	Screw
8	2314H006	!	1	4	Screw
9	2311D060	!	1	2	Screw

- ! This is a component of an assembly
- ➡ Not serviced, order
- Replacement



Engine

Mc Power4 Tier 3 Restyling (2009-2013) - RPB2 - 115

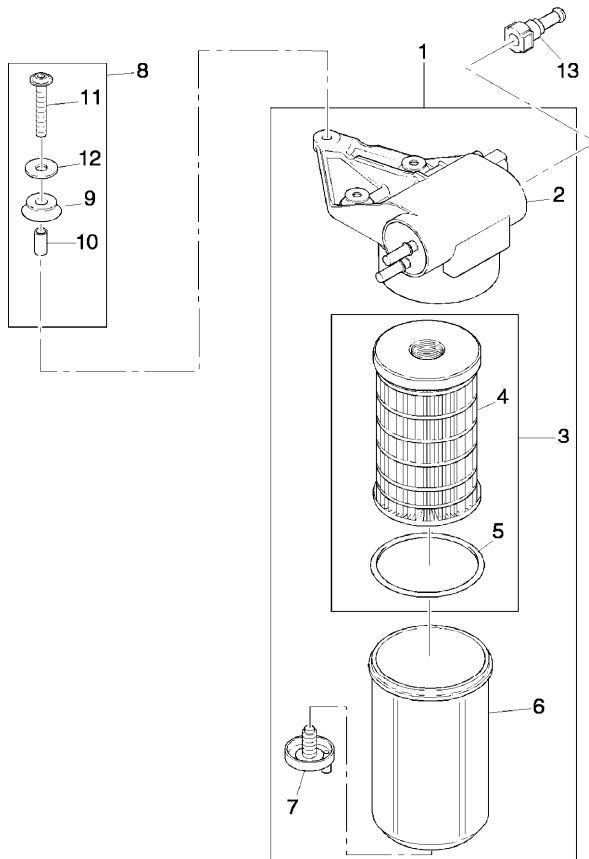
RPB2\000022264.png

**A-05  
19**



A0519

Lift pump



				Inglese
1	4132A018	●	N.L.S.(1)	1 Pump
2		!	1	1 Pump
3	26560201	➡	Ref.n.1	1 Filter
4		!	2	1 Filter
5		➡	Ref.n.2	1
6	2656F837	!	1	1 Bowl
7	2656F836	!	1	1 Valve
8	U5MK1239			1 Support
9		!	8	6 Support
10		➡	Ref.n.8	3 Spacer
11	2316T135	!	8	3 Screw
12	2131A507	!	8	3 Washer
13	3763A046			1 Connection

- ! This is a component of an assembly
- ➡ Not serviced, order
- Replacement



**Suggest:**

**For more complete manuals. Please go to the home page.**

**<https://www.ebooklibonline.com>**

**If the above button click is invalid. Please download this document first, and then click the above link to download the complete manual.**

**Thank you so much for reading**

Engine

Mc Power4 Tier 3 Restyling (2009-2013) - RPB2 - 115

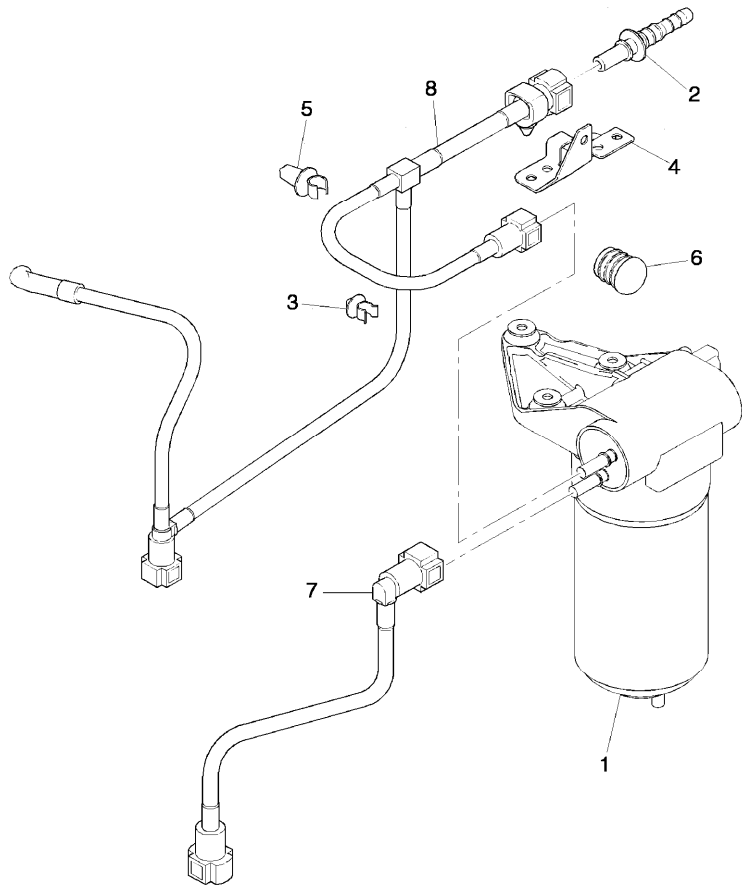
RPB2\000022265.png

A-05  
20



A0520

Lift pump



- 1 A-05 19 1
  - 2 3763A045
  - 3 2481D456
  - 4 3661A091
  - 5 2481D559
  - 6 2487A401
  - 7 2646F001
  - 8 2646F009
- See page - reference number

Inglese

- 1 Pump
- 1 Connection
- 1 Clip
- 1 Stirrup
- 1 Clip
- 1 Plug
- 1 Pipe
- 1 Pipe

Engine

Mc Power4 Tier 3 Restyling (2009-2013) - RPB2 - 115

RPB2\000014134.png

A-05  
21



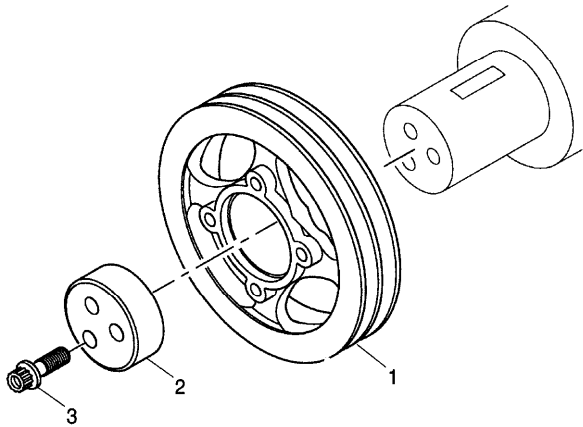
A0521

Front end drive input - auxiliary drive

- 1 3115T051
- 2 3241N001
- 3 32186137

Inglese

- 1 Pulley
- 1 Block
- 3 Screw



**<https://www.ebooklibonline.com>**

Hello dear friend!

Thank you very much for reading.

Enter the link into your browser.

The full manual is available for immediate download.

**<https://www.ebooklibonline.com>**