

Engine

Mc Power4 Tier 3 Restyling (2009-2013) - RPB2 - 110

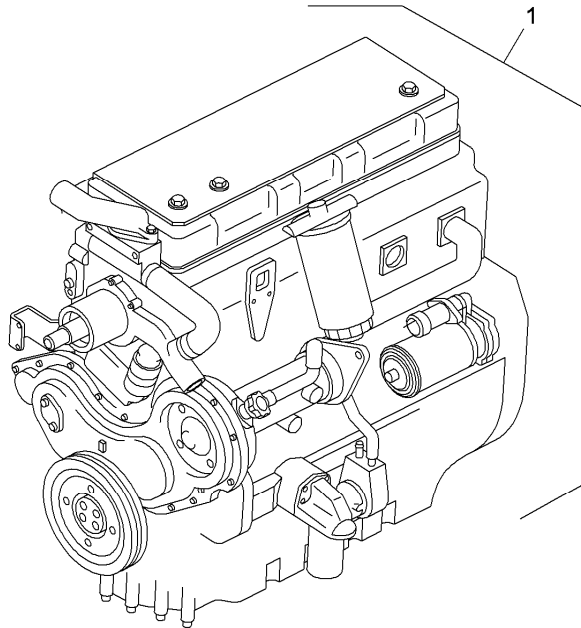
RPB2\00005987.png

A-05
01



A0501

Engine assembly



			Inglese
1	4216957M91	74.9 kw - perkins nm75230	1 Engine
1	6510986M91	74.9 kw - perkins nm51682	1 Engine
		A	
1	6512079M91	74.9 kw - perkins nm82007	1 Engine
		B	
		C	
1	6512313M91	74.9 kw - perkins nm70716	1 Engine
		B	
		D	
A	Tier 3b		
B	Flexibility engine		
C	Cee		
D	Nao		

Engine

Mc Power4 Tier 3 Restyling (2009-2013) - RPB2 - 110

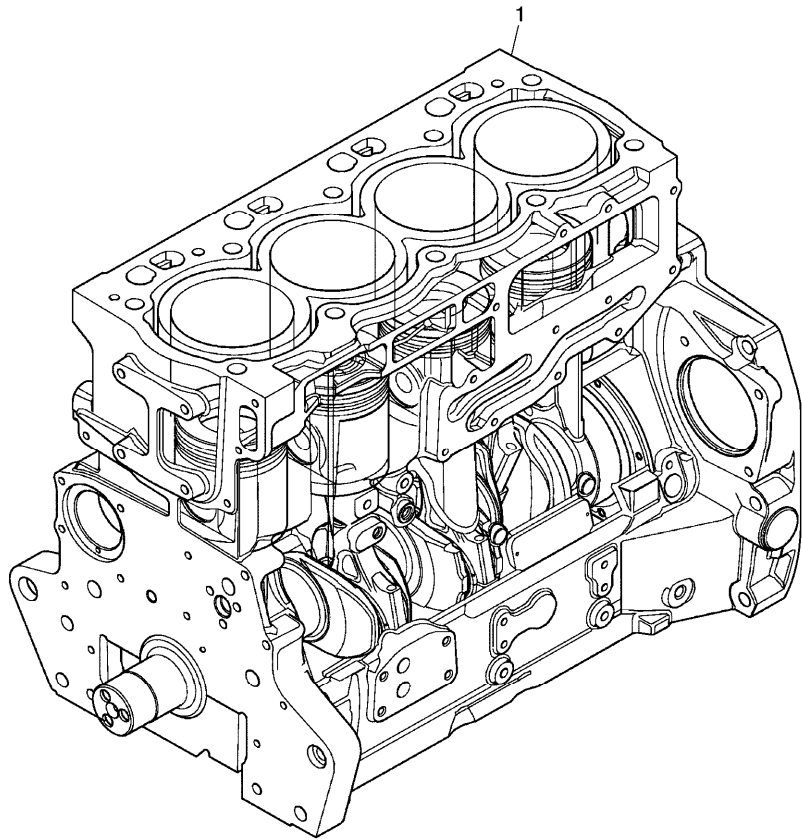
RPB2\000015070.PNG

A-05
015



A05015

Short engine



- Inglese
- | | | | | | |
|---|---------|--|----------------------------------|---|--------------|
| 1 | NM40008 | | U056074 t | 1 | Short engine |
| | | | 3115A141(1),
32186146(3), NM4 | | |
| 1 | NM40019 | | U056075 t | 1 | Short engine |
- From serial or engine number
 Up to serial or engine number
 Replacement

Engine

Mc Power4 Tier 3 Restyling (2009-2013) - RPB2 - 110

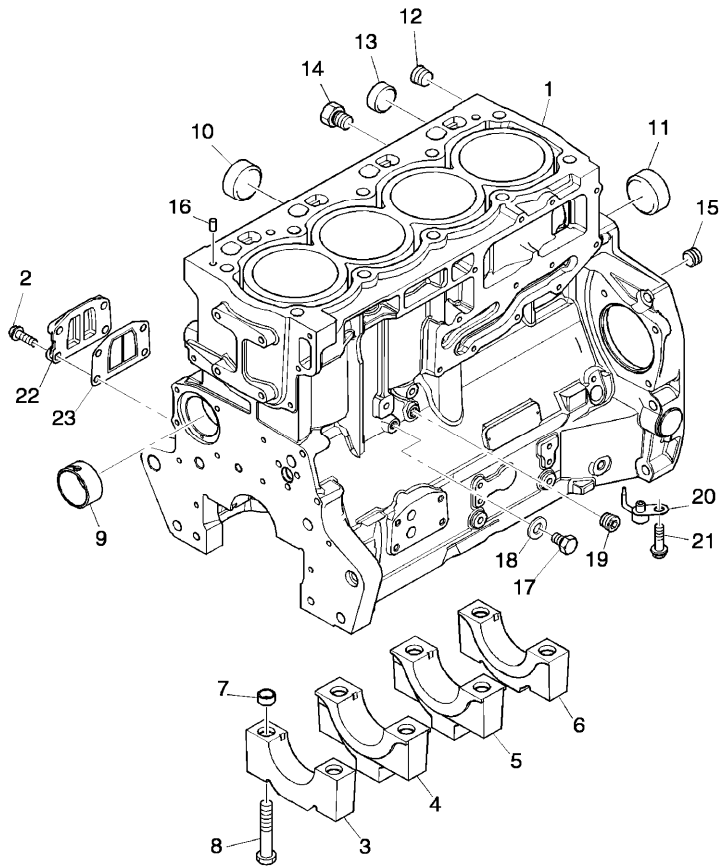
RPB2\000022252.png

A-05
02



A0502

Cylinders block



		Inglese	
1	ZZ50321	● ZZ50325(1)	1 Block
2	2314H034	! 1	4 Screw
3		! 1	1 Bearing cup
		➡ Ref.n.1	
4		! 1	1 Bearing cup
		➡ Ref.n.1	
5		! 1	1 Bearing cup
		➡ Ref.n.1	
6		! 1	1 Bearing cup
		➡ Ref.n.1	
7	33142111	! 1	10 Manicott
8	32166329	! 1	10 Screw
9	3112D071	! 1	1 Bush
		● 3112D075(1)	
10	3241A011	! 1	2 Plug
11	3241A012	! 1	1 Plug
12	0650588	! 1	1 Plug
13	0650710	! 1	1 Plug
14	32141316	! 1	1 Plug
15	3212P008	! 1	1 Plug
16	3244A009	! 1	2 Dowel
17	2314C049	! 1	1 Screw
18	2415D053	! 1	1 Washer
19	0650594	! 1	1 Plug
20	2113A003	! 1	4 Atomiser

<https://www.ebooklibonline.com>

Hello dear friend!

Thank you very much for reading.

Enter the link into your browser.

The full manual is available for immediate download.

<https://www.ebooklibonline.com>

Engine

Mc Power4 Tier 3 Restyling (2009-2013) - RPB2 - 110

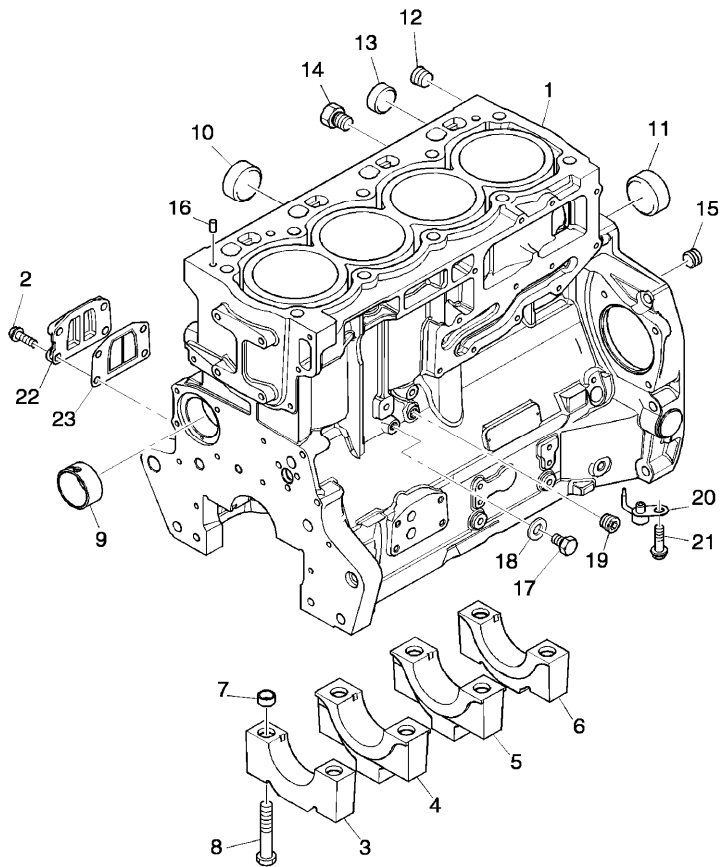
RPB2\000022252.png

A-05
02



A0502

Cylinders block



Inglese

21 2314F001 ! 1

4 Screw

22 3753A071 ! 1

1 Coperch.

23 3688A041 ! 1

1 Gasket

! This is a component of an assembly

▣ Not serviced, order

● Replacement

Engine

Mc Power4 Tier 3 Restyling (2009-2013) - RPB2 - 110

RPB2\000015074.png

A-05
03



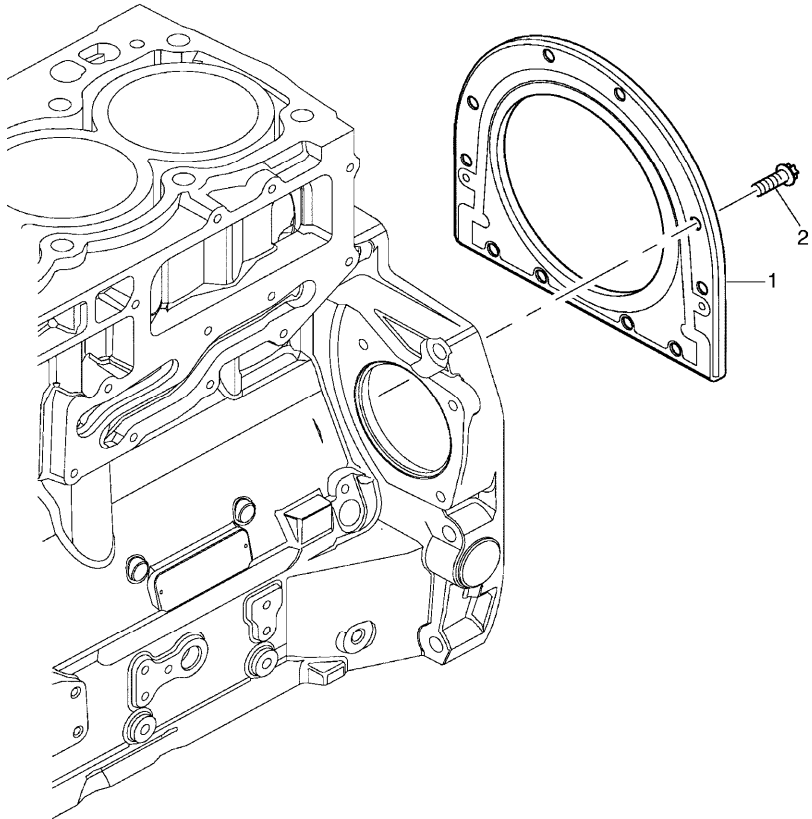
A0503

End cover

Inglese

- 1 2418F704
- 2 3211C002

- 1 Housing
- 10 Screw



Engine

Mc Power4 Tier 3 Restyling (2009-2013) - RPB2 - 110

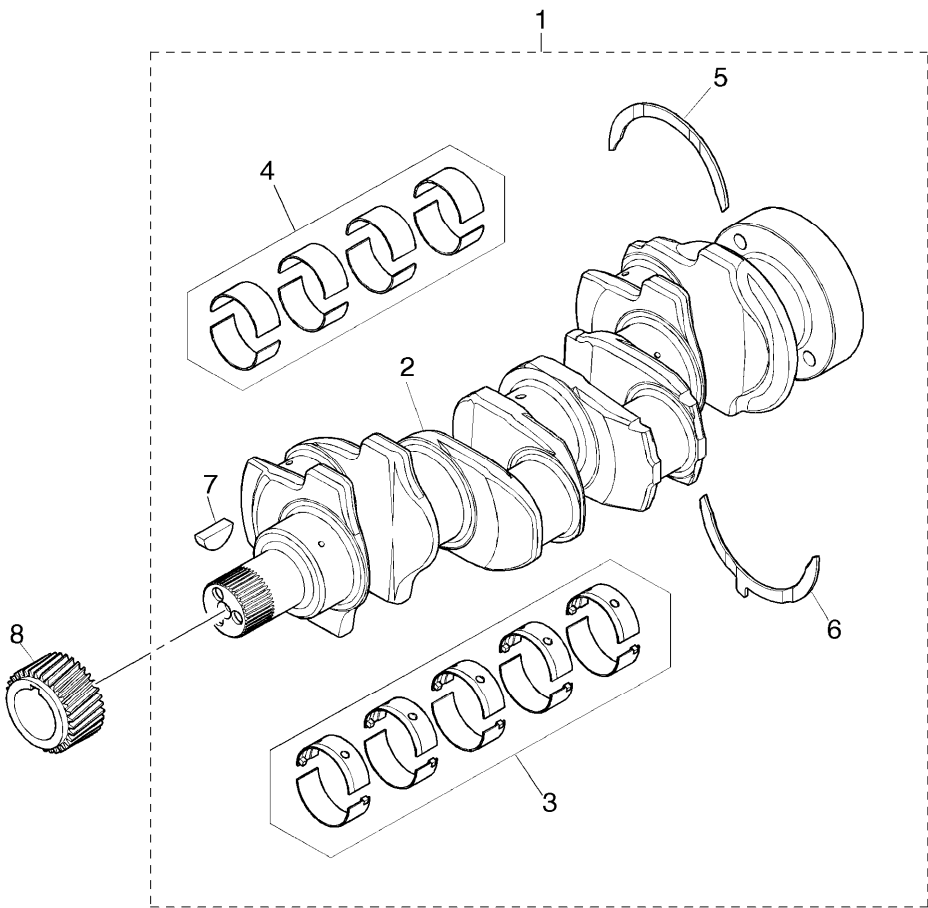
RPB2\000022253.png

A-05
04



A0504

Crankshaft



		Inglese	
1	ZZ90222	➔ U491476 t	1 Kit
		● ZZ90239(1)	
1	ZZ90237	➔ U491477 t	1 Shaft
2		! 1	1 Crankshaft
		➔ Ref.n.1	
3	U5MB0018	! 1	1 Kit
		● U5MB0033(1)	
3	U5MB0018A	! 1	1 Kit
		⚡ 0.010 mm	
		● U5MB0033A(1)	
3	U5MB0018B	! 1	1 Kit
		⚡ 0.020 mm	
		● U5MB0033B(1)	
3	U5MB0018C	! 1	1 Kit
		⚡ 0.030 mm	
		● N.L.A.(1)	
4	T400002	! 1	1 Kit
		➔ U491477 t	
		● T410927(1)	
4	U5ME0026	! 1	1 Kit
		➔ U491476 t	
		● U5ME0034(1)	
4	U5ME0026A	! 1	1 Kit
		⚡ 0.25 mm	
		➔ U491476 t	
		● U5ME0034A(1)	

Engine

Mc Power4 Tier 3 Restyling (2009-2013) - RPB2 - 110

RPB2\000022253.png

A-05
04



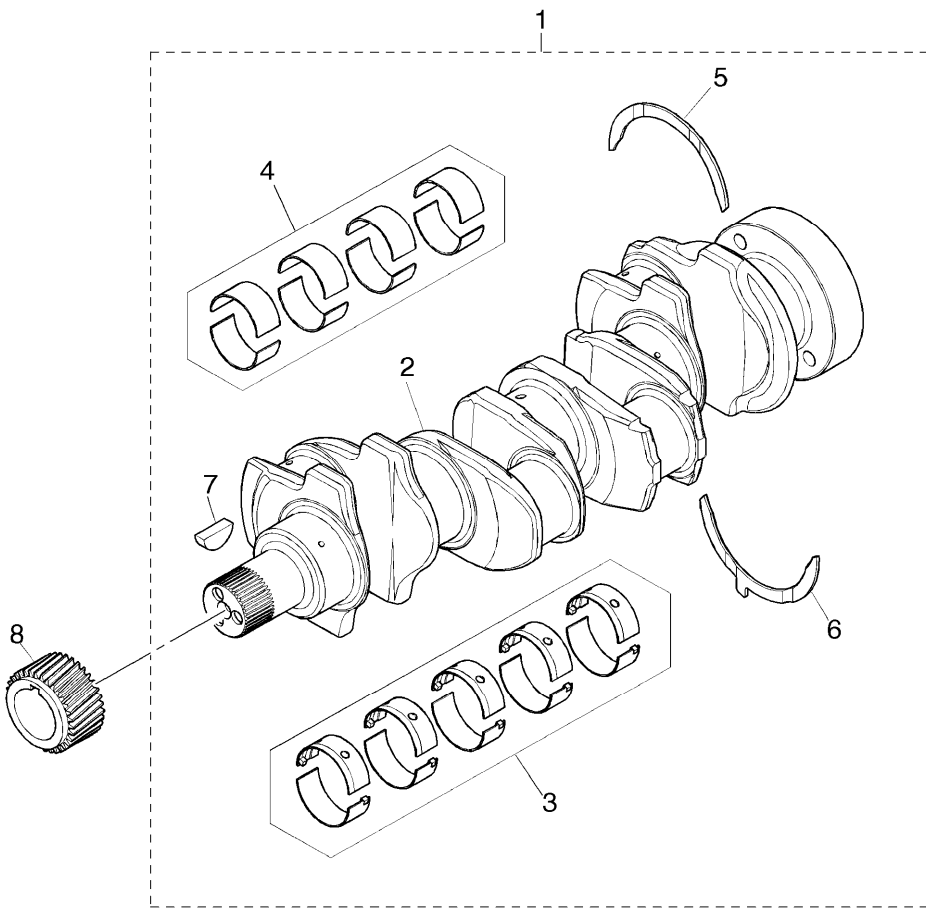
A0504

Crankshaft

Inglese

4	U5ME0026B	!	1	1 Kit
		⚡	0.50 mm	
		➔	U491476 t	
		●	U5ME0034B(1)	
4	U5ME0026C	!	1	1 Kit
		⚡	0.75 mm	
		➔	U491476 t	
		●	U5ME0034C(1)	
5	31137312	!	1	2 Ring
		⚡	0.007 mm	
5	31137551	!	1	2 Washer
6	31137322	!	1	2 Ring
		⚡	0.007 mm	
6	31137561	!	1	2 Washer
7	0500012	!	1	1 Key
8	3117C221			1 Gear

- ! This is a component of an assembly
- ➔ From serial or engine number
- ⬇ Up to serial or engine number
- ⚡ Shim
- Replacement



Engine

Mc Power4 Tier 3 Restyling (2009-2013) - RPB2 - 110

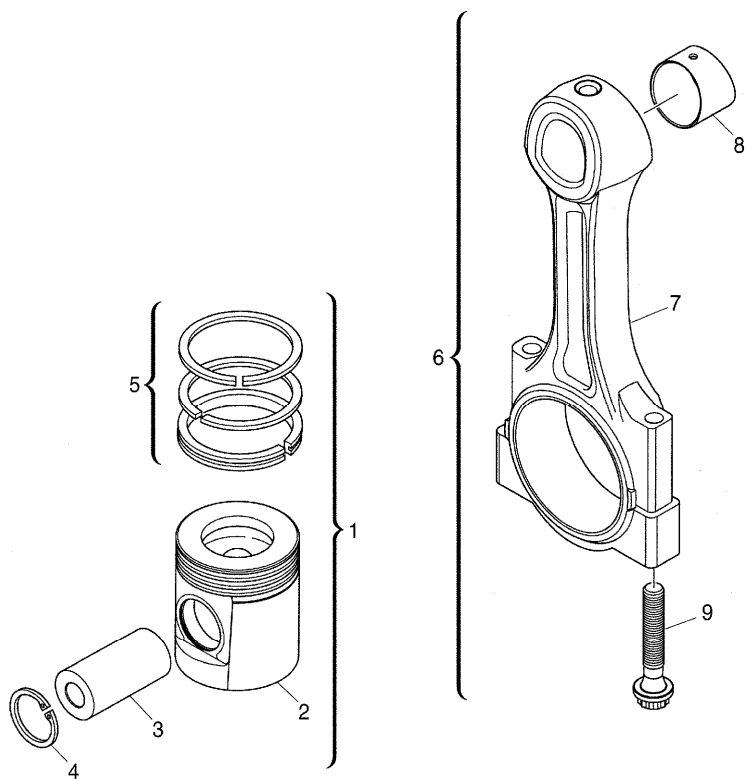
RPB2\000020562.png

A-05
05



A0505

Pistons and connecting rods



			Inglese
1	U5PR0062	Std	4 Kit
1	U5PR0062B	+0,5 mm	4 Kit
2		!	1 Piston
		➡	Ref.n.1
3		!	1 Piston
		➡	Ref.n.1
4	2721332	!	2 Ring
5	UPRK0005	!	1 Kit
6	4115C311	➡	U056074 t
		A	
6	4115C312	➡	U056074 t
		B	
6	4115C313	➡	U056074 t
		C	
6	4115C314	➡	U056074 t
		D	
6	4115C315	➡	U056074 t
		E	
6	4115C316	➡	U056074 t
		F	
6	4115C361	➡	U056075 t
		A	
6	4115C362	➡	U056075 t
		B	
6	4115C363	➡	U056075 t
		C	

Engine

Mc Power4 Tier 3 Restyling (2009-2013) - RPB2 - 110

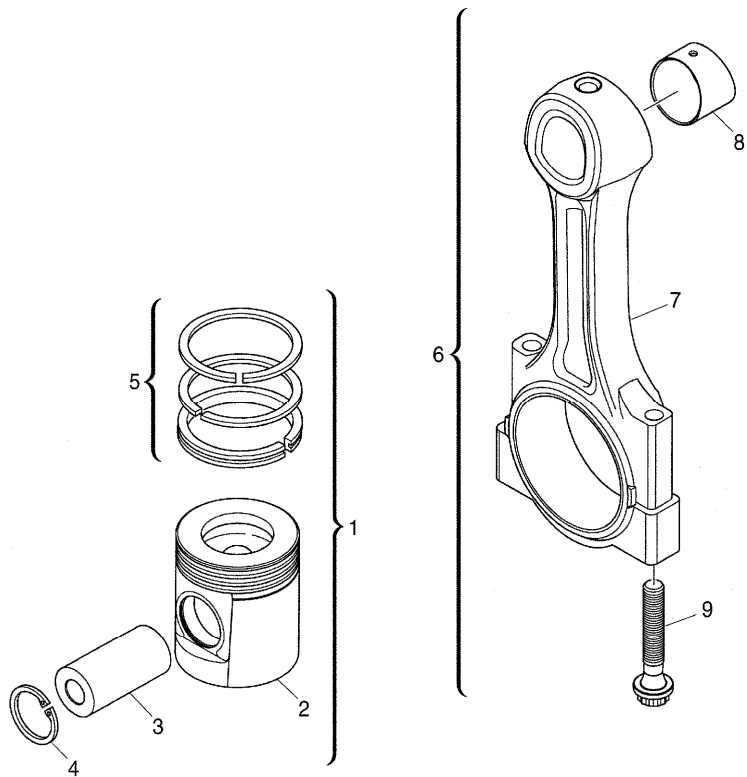
RPB2\000020562.png

A-05
05



A0505

Pistons and connecting rods



		Inglese	
6	4115C364	➡ U056075 t D	4 Conrod
6	4115C365	➡ U056075 t E	4 Conrod
6	4115C366	➡ U056075 t F	4 Conrod
7	!	6	1 Conrod
	➡	Ref.n.6	
8	3112A005	!	6
9	3212V003	!	6
		➡ U056074 t	
9	T400001	!	6
		➡ U056075 t	

- ! This is a component of an assembly
- ➡ From serial or engine number
- ➡ Up to serial or engine number
- ➡ Not serviced, order
- A Red
- B Orange
- C White
- D Green
- E Purple
- F Blue

Engine

Mc Power4 Tier 3 Restyling (2009-2013) - RPB2 - 110

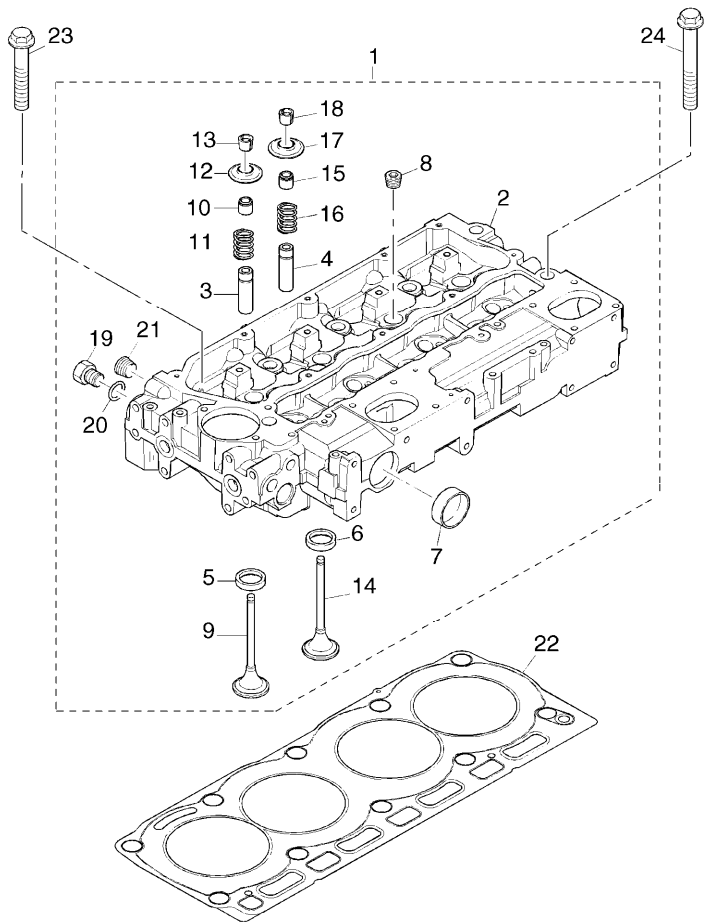
RPB2\000022254.png

**A-05
06**



A0506

Cylinder head



1	ZZ80280		
2		!	1
		➡	Ref.n.1
3	3313A012	!	1
4	3313A012	!	1
5	3314A221	!	1
6	3314A231	!	1
7	32416117	!	1
8	0650588	!	1
9	3142H101	!	1
10	2418M519	!	1
		A	
11	3174A031	!	1
		●	T417479(4)
12	3342A021	!	1
13	2714A002	!	1
14	3142A171	!	1
15	2418M517	!	1
		B	
16	3174A031	!	1
		●	T417479(4)
17	3342A021	!	1
18	2714A002	!	1
19	3278A006	!	1
20	2415H003	!	1

Inglese

1	Cylinder head
1	Cylinder head
4	Insert
4	Insert
4	Insert
4	Insert
2	Plug
4	Plug
4	Valve
4	Ring
4	Spring
4	Coperch.
8	Collar
4	Valve
4	Ring
4	Spring
4	Coperch.
8	Collar
1	Plug
1	Ring

Engine

Mc Power4 Tier 3 Restyling (2009-2013) - RPB2 - 110

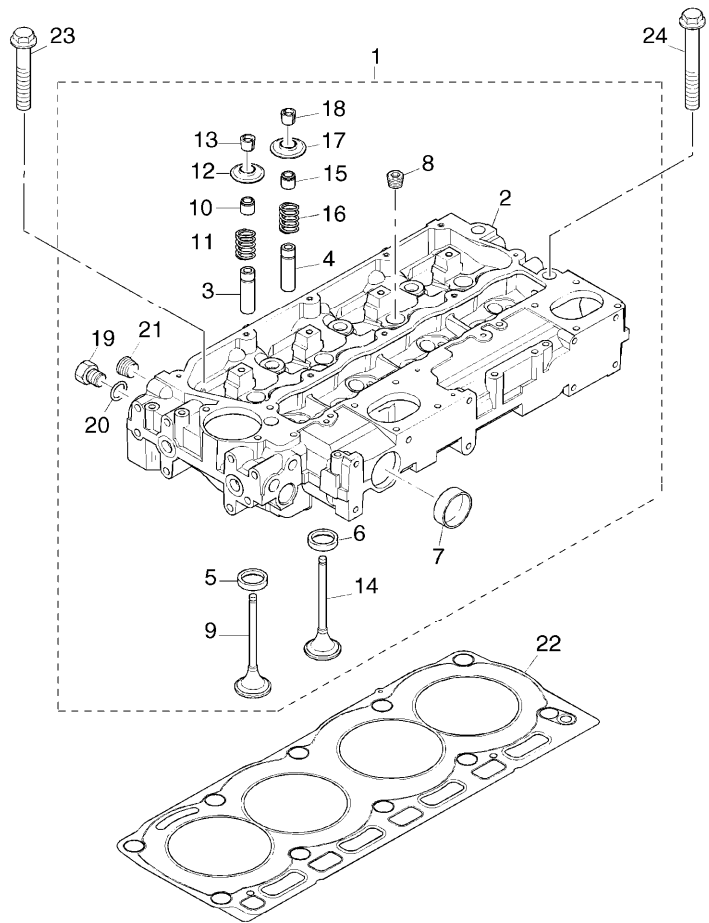
RPB2\000022254.png

A-05
06



A0506

Cylinder head



21 2431154 ! 1

22 3681E051

23 3218A011

24 3218A012

! This is a component of an assembly

Not serviced, order

Replacement

A Green

B Brown

Inglese

2 Plug

1 Gasket

7 Screw

3 Screw

Engine

Mc Power4 Tier 3 Restyling (2009-2013) - RPB2 - 110

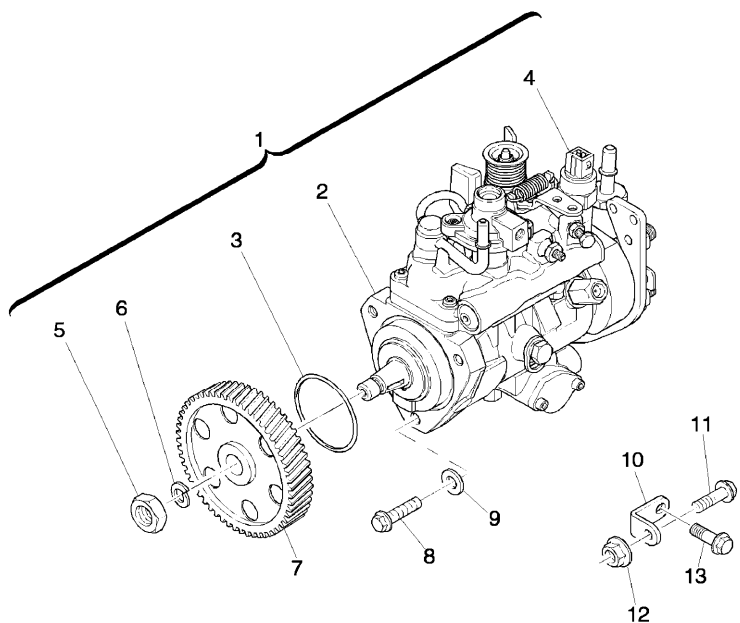
RPB2\000022255.png

A-05
07



A0507

Injection pump assy



- | | | | | |
|----|------------------------------------|---|---------|--|
| 1 | 2644C347/22 | | | |
| 2 | | ! | 1 | |
| | | ➡ | Ref.n.1 | |
| 3 | 26420318 | ! | 1 | |
| 4 | 26420469 | ! | 1 | |
| 5 | 2318A108 | ! | 1 | |
| 6 | K134AF01 | ! | 1 | |
| 7 | 3117L261 | | | |
| 8 | 2314H004 | | | |
| 9 | 2411D008 | | | |
| 10 | 3641A007 | | | |
| 11 | 2314H003 | | | |
| 12 | 2318A603 | | | |
| 13 | 2314J002 | | | |
| ! | This is a component of an assembly | | | |
| ➡ | Not serviced, order | | | |

Inglese

- 1 Pump
- 1 Pump
- 1 Ring
- 1 Solenoid
- 1 Nut
- 1 Washer
- 1 Gear
- 3 Screw
- 3 Washer
- 1 Stirrup
- 1 Screw
- 1 Nut
- 1 Screw

Engine

Mc Power4 Tier 3 Restyling (2009-2013) - RPB2 - 110

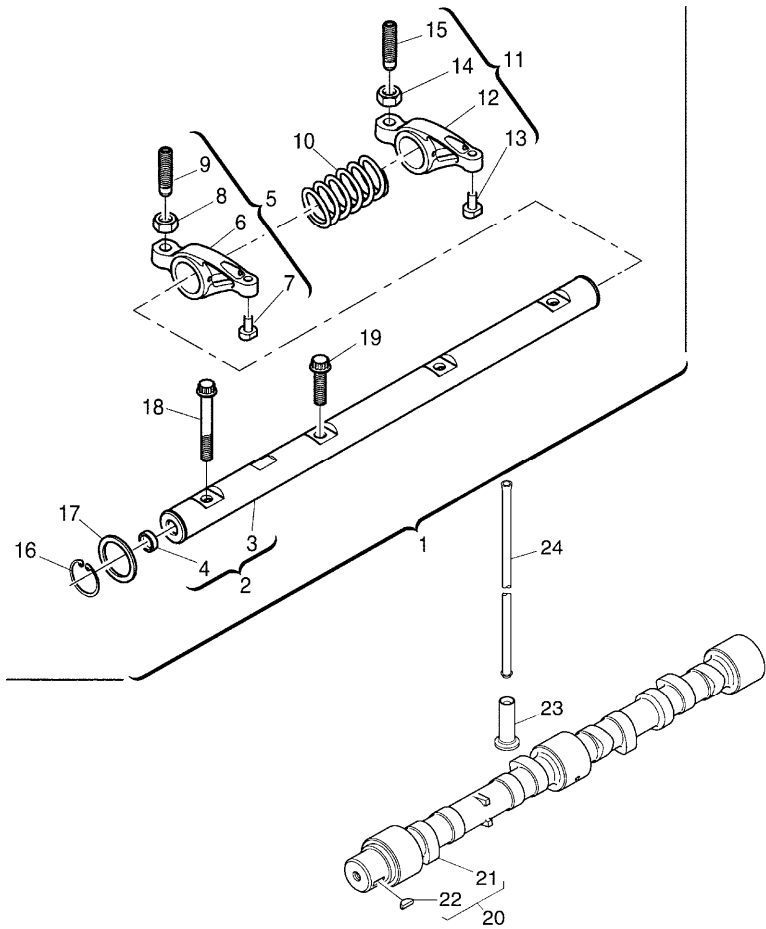
RPB2\000015075.png

A-05
08



A0508

Rocker shaft



		Inglese	
1	4115R613		1 Axle
2	4115R703	! 1	1 Shaft
3		! 2	1 Axe
4	2485A104	➡ Ref.n.2	
5	4115R319	! 1	2 Plug
6		! 5	4 Lever
7		➡ Ref.n.5	1 Rocker
8	3331A006	! 5	
9	3211C004	! 5	1 Pad
10	3174A015	! 1	! Ref.n.5
11	4115R318	! 1	1 Nut
12		! 11	1 Screw
13		➡ Ref.n.11	3 Spring
14	3331A006	! 11	1 Pad
15	3211C004	! 11	➡ Ref.n.11
16	2722A022	! 1	1 Nut
17	2134A502	! 1	1 Screw
18	2316A901	! 1	2 Ring
19	2316A902	! 1	2 Washer
20	4112K035	! 1	1 Screw
		● 4112K078(1)	3 Screw
			1 Shaft

Engine

Mc Power4 Tier 3 Restyling (2009-2013) - RPB2 - 110

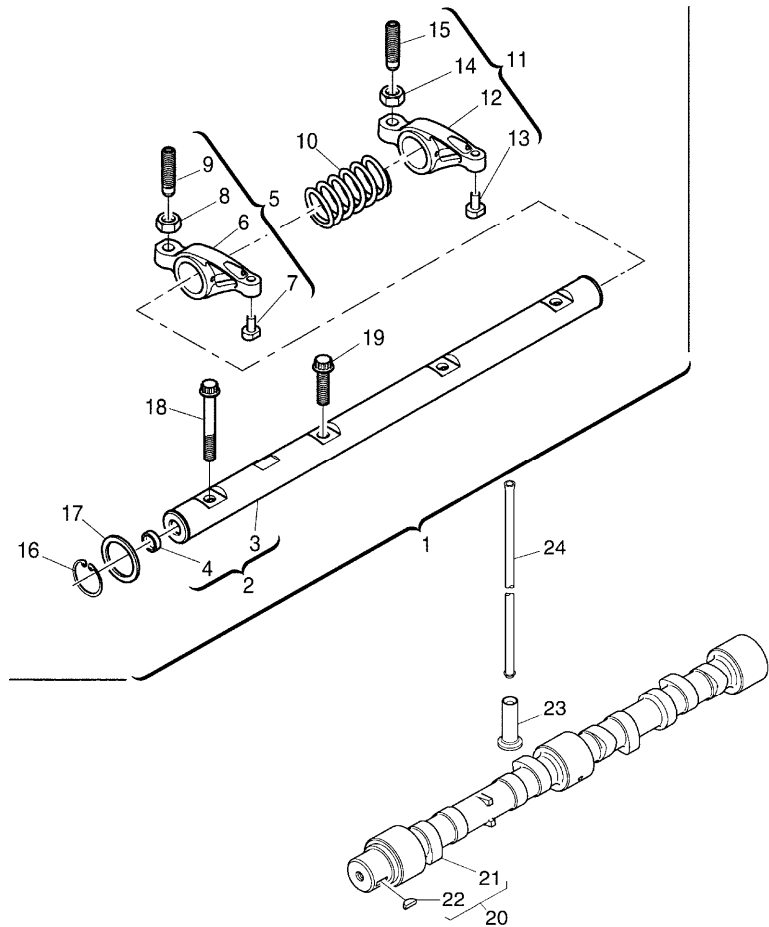
RPB2\000015075.png

A-05
08



A0508

Rocker shaft



- 21 ! 20
- 22 0500012 ! 20
- 23 3142U061 ! 20
- 24 3142V011 ! 20
- ! This is a component of an assembly
- ▣ Not serviced, order
- Replacement

Inglese

- 1 Shaft
- 1 Key
- 8 Tappet
- 8 Rod

Engine

Mc Power4 Tier 3 Restyling (2009-2013) - RPB2 - 110

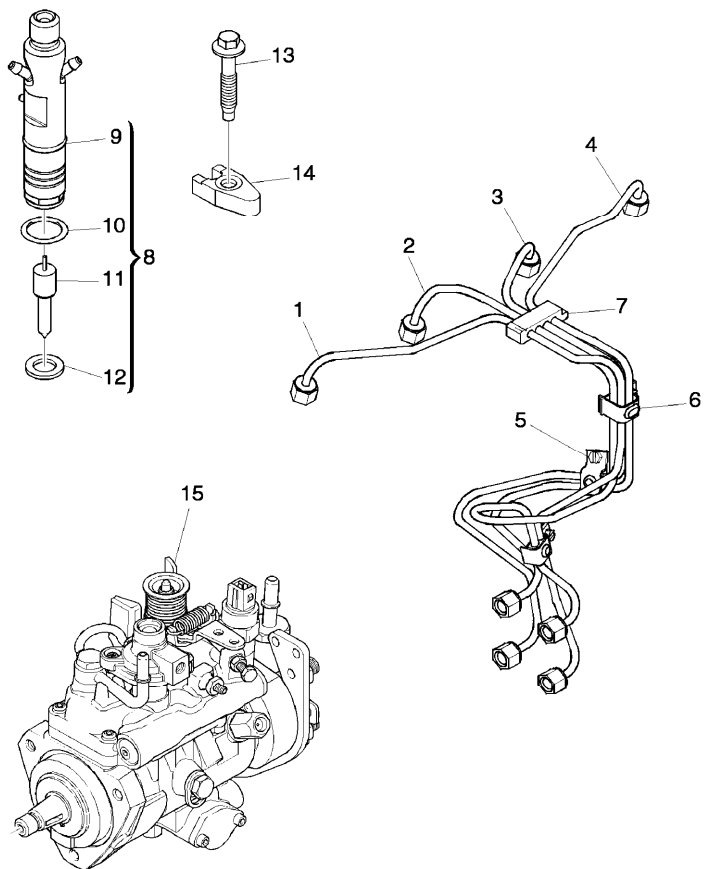
RPB2\000022256.png

**A-05
09**



A0509

Fuel injection equipment (diesel)



		Inglese
1	3525A101	1 Pipe
2	3525A102	1 Pipe
3	3525A103	1 Pipe
4	3525A104	1 Pipe
5	2481Y011	2 Clip
6	2481Y012	1 Clip
7	2646E019	1 Clip
8	2645K025	4 Nozzle
9	! 8	1 Nozzle
	➡ Ref.n.8	
10	26460064 ! 8	1 Ring
11	! 8	1 Nozzle
	➡ Ref.n.8	
12	L311FF02 ! 8	1 Washer
13	2314W009	4 Screw
14	3751A241	4 Clamp
15	👁 A-05 07 1	1 Injection pump

! This is a component of an assembly

👁 See page - reference number

➡ Not serviced, order

Engine

Mc Power4 Tier 3 Restyling (2009-2013) - RPB2 - 110

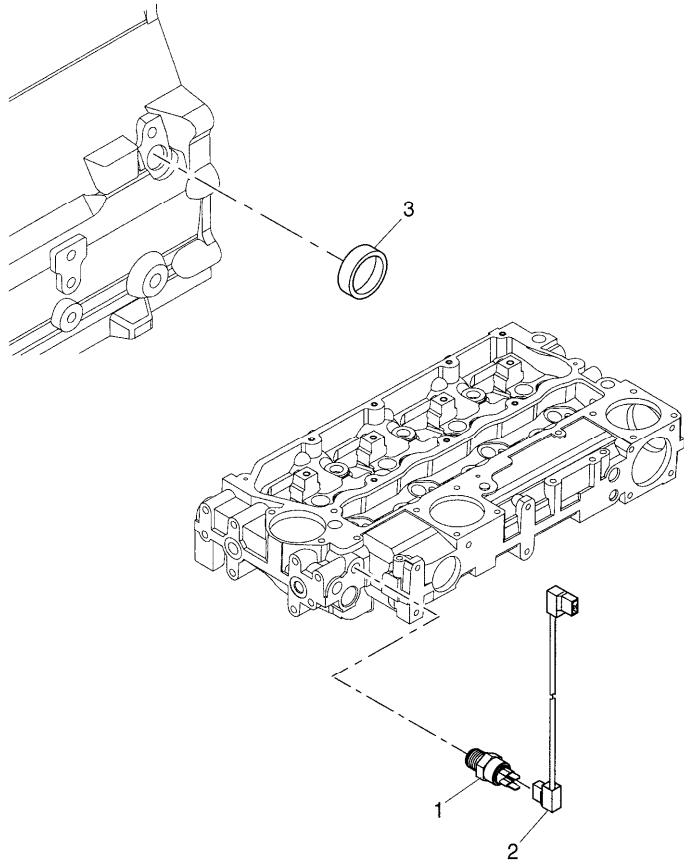
RPB2\000020530.png

A-05
10



A0510

Sensor pickup



- 1 2848A123
- 2 3161C017
- 3 2485A109

Inglese

- 1 Sensor
- 1 Cable
- 1 Plug

Engine

Mc Power4 Tier 3 Restyling (2009-2013) - RPB2 - 110

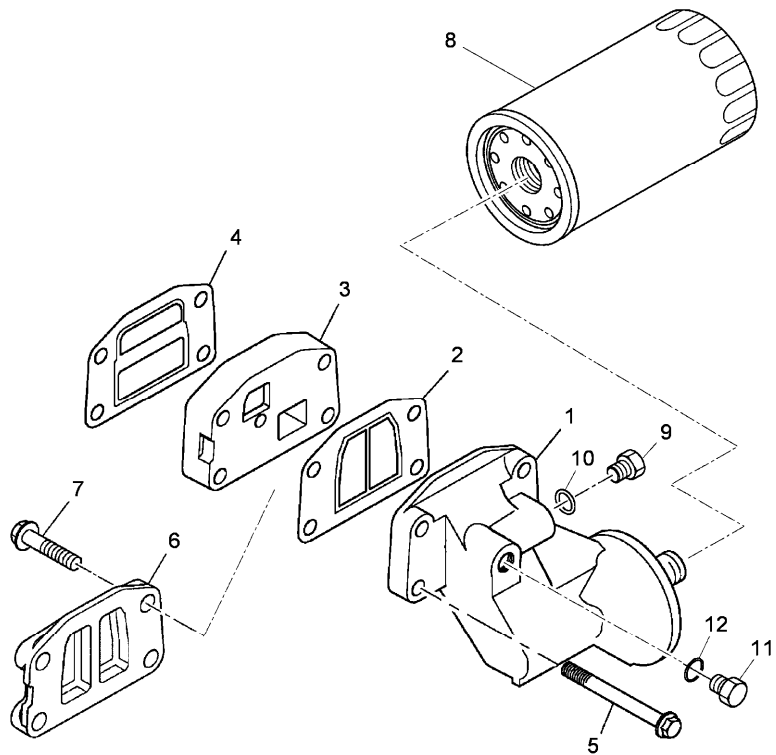
A-05
11



A0511

Lube oil filters

RPB2\00007097.png



- 1 3773A071
- 2 3688A041
- 3 3773A081
- 4 3688A039
- 5 2314H038
- 6 3753A071
- 7 2314H034
- 8 701899A1
- 9 3278A004
- 10 2415H002
- 11 3278A007
- 12 2415H009

Inglese

- 1 Head
- 1 Gasket
- 1 Adaptor
- 1 Gasket
- 4 Screw
- 1 Coperch.
- 4 Screw
- 1 Oil filter
- 1 Plug
- 1 Ring
- 1 Plug
- 1 Ring

Engine

Mc Power4 Tier 3 Restyling (2009-2013) - RPB2 - 110

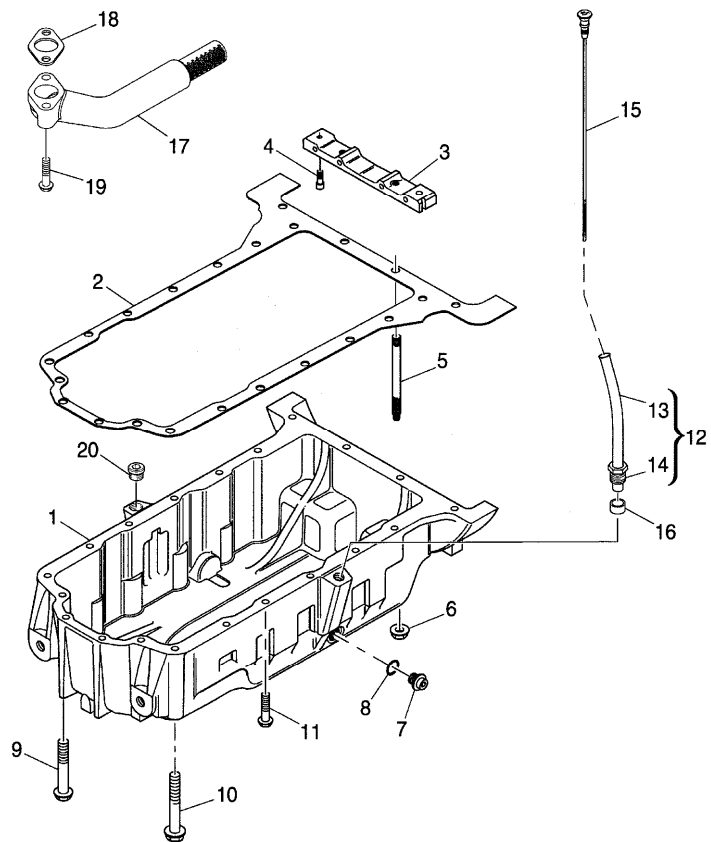
RPB2\000014129.png

A-05
12



A0512

Oil sump



- 1 3717E261
- 2 3681K036
- 3 3627P041
- 4 2311D039
- 5 3211P013
- 6 2318A603
- 7 32186405
- 8 2415715
- 9 2314H023
- 10 2314H022
- 11 2314H015
- 12 3577A125
- 13
- 14 3353D005
- 15 3178C088
- 16 33812116
- 17 3765A111
- 18 36832137
- 19 2314H006
- 20 2431A016

● 2314H052(1)

➡ Ref.n.12

! 12

- ! This is a component of an assembly
- ➡ Not serviced, order
- Replacement

Inglese

- 1 Sump
- 1 Gasket
- 1 Crosspiece
- 2 Screw
- 2 Stud
- 2 Nut
- 2 Plug
- 2 Ring
- 5 Screw
- 1 Screw
- 12 Screw
- 1 Pipe
- 1 Pipe
- 1 Nut
- 1 Rod
- 1 Olive
- 1 Pipe
- 1 Gasket
- 2 Screw
- 1 Plug

Engine

Mc Power4 Tier 3 Restyling (2009-2013) - RPB2 - 110

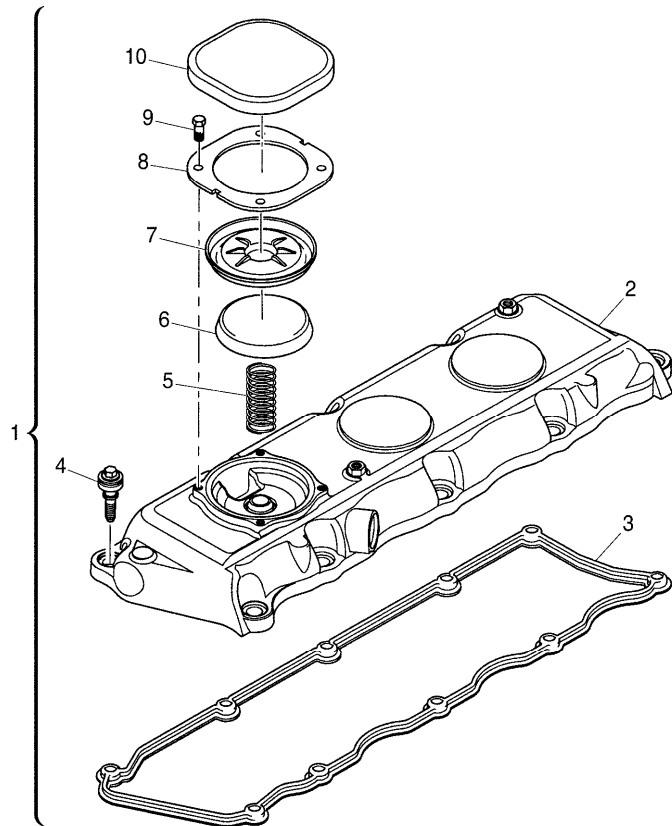
RPB2\000020533.png

A-05
13



A0513

Cylinder head cover



				Inglese
1	4142X325	●	T417478(1)	1 Coperch.
2		!	1	1 Cover
3	3681A055	▶	Ref.n.1	
4		!	1	1 Gasket
5	3174A017	!	1	10 Screw
6	3788A002	▶	Ref.n.1	
7	3789A001	!	1	1 Spring
8	3615A009	!	1	1 Cap
9	2151A001	!	1	1 Diaphragm
10	3788A003	!	1	1 Plate
		!		4 Screw
		!		1 Cap

! This is a component of an assembly
▶ Not serviced, order
● Replacement

Engine

Mc Power4 Tier 3 Restyling (2009-2013) - RPB2 - 110

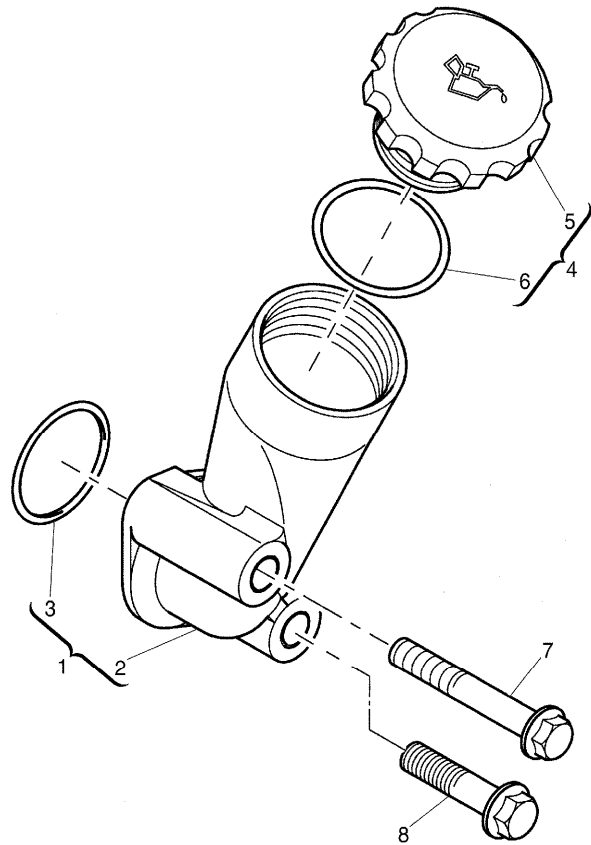
RPB2\000020589.png

A-05
14



A0514

Filler



				Inglese
1	4134C019	●	N.L.S.(1)	1 Filler
2		!	1	1 Body
		➡	Ref.n.1	
3	2415B121	!	1	1 O ring
4	4142X098	!	1	1 Plug
5		!	4	1 Plug
		➡	Ref.n.4	
6	2415633	!	4	1 O ring
7	2314K161			1 Screw
8	2314H008			1 Screw

- ! This is a component of an assembly
- ➡ Not serviced, order
- Replacement

Engine

Mc Power4 Tier 3 Restyling (2009-2013) - RPB2 - 110

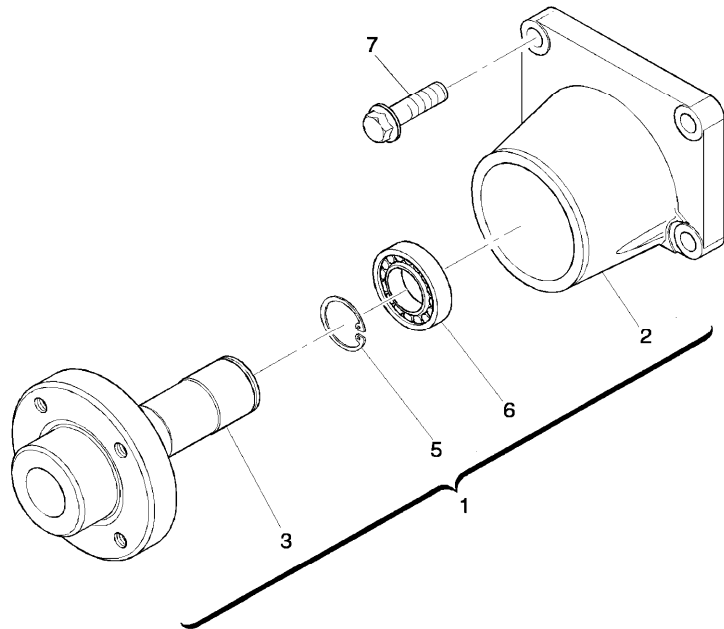
RPB2\000022257.png

A-05
15



A0515

Fan's support



- | | | | |
|---|------------------------------------|---|---------|
| 1 | 4113K007 | | |
| 2 | | ! | 1 |
| | | ➡ | Ref.n.1 |
| 3 | | ! | 1 |
| | | ➡ | Ref.n.1 |
| 4 | | ! | 1 |
| | | ➡ | Ref.n.1 |
| 5 | 2722A022 | ! | 1 |
| 6 | | ! | 1 |
| | | ➡ | Ref.n.1 |
| 7 | 2314J005 | | 4 |
| ! | This is a component of an assembly | | |
| ➡ | Not serviced, order | | |

Inglese

- | | |
|---|---------|
| 1 | Stirrup |
| 1 | Stirrup |
| 1 | Hub |
| 1 | Spacer |
| 1 | Ring |
| 2 | Bearing |
| 4 | Screw |

Engine

Mc Power4 Tier 3 Restyling (2009-2013) - RPB2 - 110

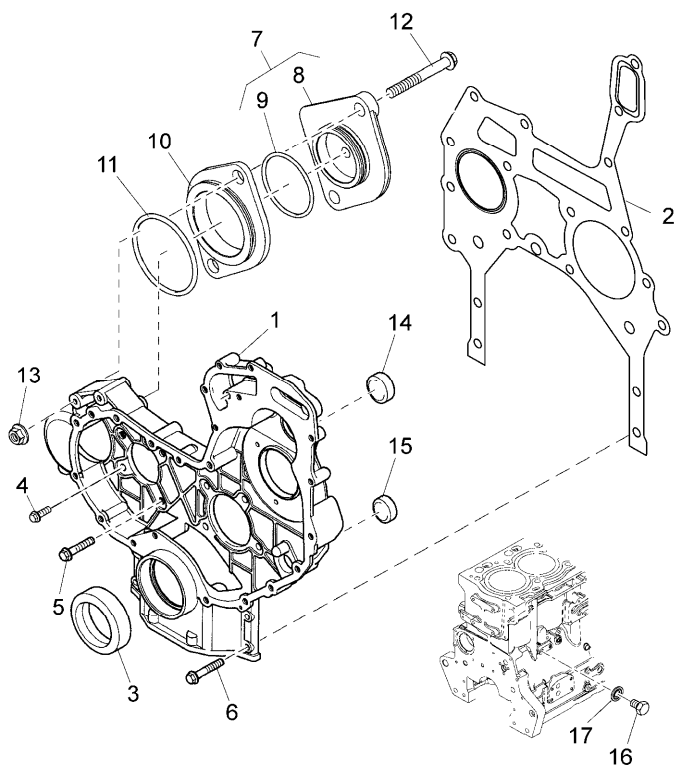
RPB2\000015081.png

**A-05
16**



A0516

Gasket sets



		Inglese
1	3716C581	1 Housing
2	3681P053	1 Gasket
3	2418F437	1 Gasket
4	2314H003	6 Screw
5	2314H006	2 Screw
6	2314H034	4 Screw
7	4148K012	1 Plate
8	!	7
	➡	Ref.n.7
9	2415H515	! 7
		1 Ring
10	3617A021	1 Disc
11	2415H516	1 O ring
12	2314J014	2 Screw
13	2318A604	2 Nut
14	2485A124	1 Plug
15	2485A124	1 Plug
16	2314C049	1 Screw
17	2415D053	1 Washer

! This is a component of an assembly
 ➡ Not serviced, order

Engine

Mc Power4 Tier 3 Restyling (2009-2013) - RPB2 - 110

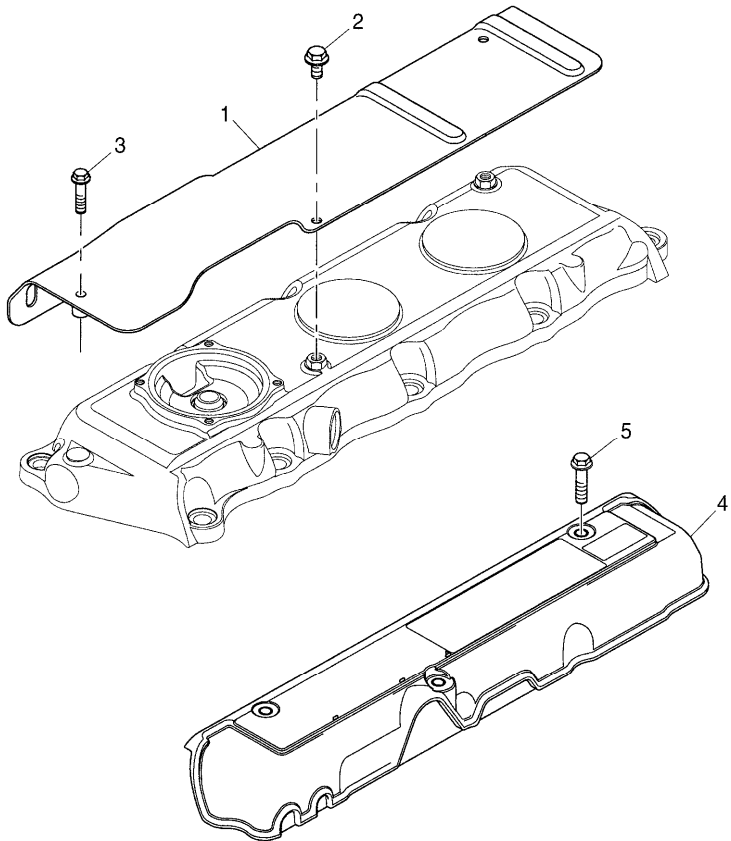
RPB2\000020537.png

A-05
17



A0517

Cylinder head cover



- 1 3812A026
- 2 2314F001
- 3 2314F006
- 4 3788N003
- 5 2314F003

Inglese

- 1 Heatshield
- 2 Screw
- 1 Screw
- 1 Cover
- 3 Screw

Engine

Mc Power4 Tier 3 Restyling (2009-2013) - RPB2 - 110

RPB2\000015031.png

A-05
18



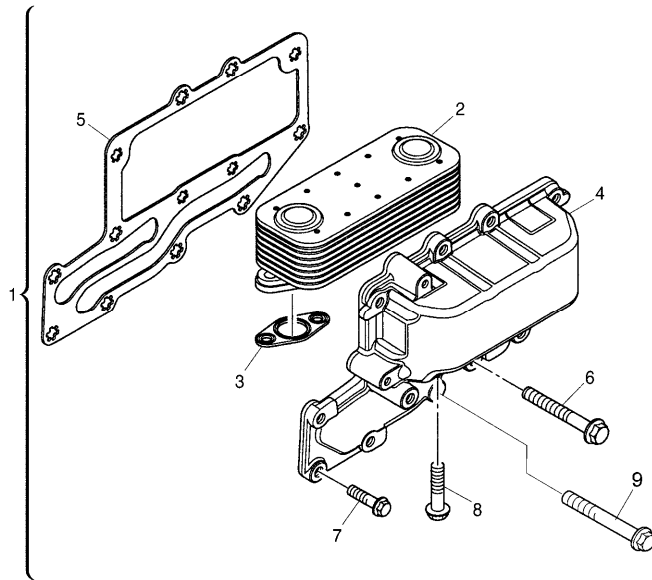
A0518

Oil bath air filter - lautrette

Inglese

1	4134W021	●	4134W025(1)	1	Radiator
2	2486A217	!	1	1	Exchanger
3	3685A025	!	1	2	Ring
4		!	1	1	Cooler
		➡	Ref.n.1		
5	3685A033	!	1	1	Gasket
6	2314K161	!	1	3	Screw
7	2314H004	!	1	8	Screw
8	2314H006	!	1	4	Screw
9	2311D060	!	1	2	Screw

- ! This is a component of an assembly
- ➡ Not serviced, order
- Replacement



Engine

Mc Power4 Tier 3 Restyling (2009-2013) - RPB2 - 110

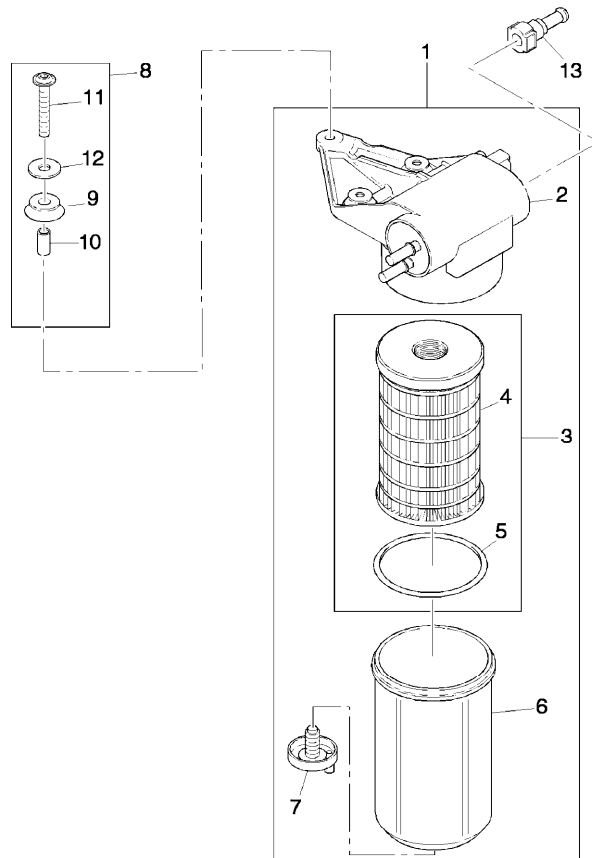
RPB2\000022264.png

**A-05
19**



A0519

Lift pump



				Inglese
1	4132A018	●	N.L.S.(1)	1 Pump
2		!	1	1 Pump
3	26560201	!	1	1 Filter
4		!	2	1 Filter
5		!	2	1
6	2656F837	!	1	1 Bowl
7	2656F836	!	1	1 Valve
8	U5MK1239			1 Support
9		!	8	6 Support
10		!	8	3 Spacer
11	2316T135	!	8	3 Screw
12	2131A507	!	8	3 Washer
13	3763A046			1 Connection
		!	This is a component of an assembly	
		➤	Not serviced, order	
		●	Replacement	

Engine

Mc Power4 Tier 3 Restyling (2009-2013) - RPB2 - 110

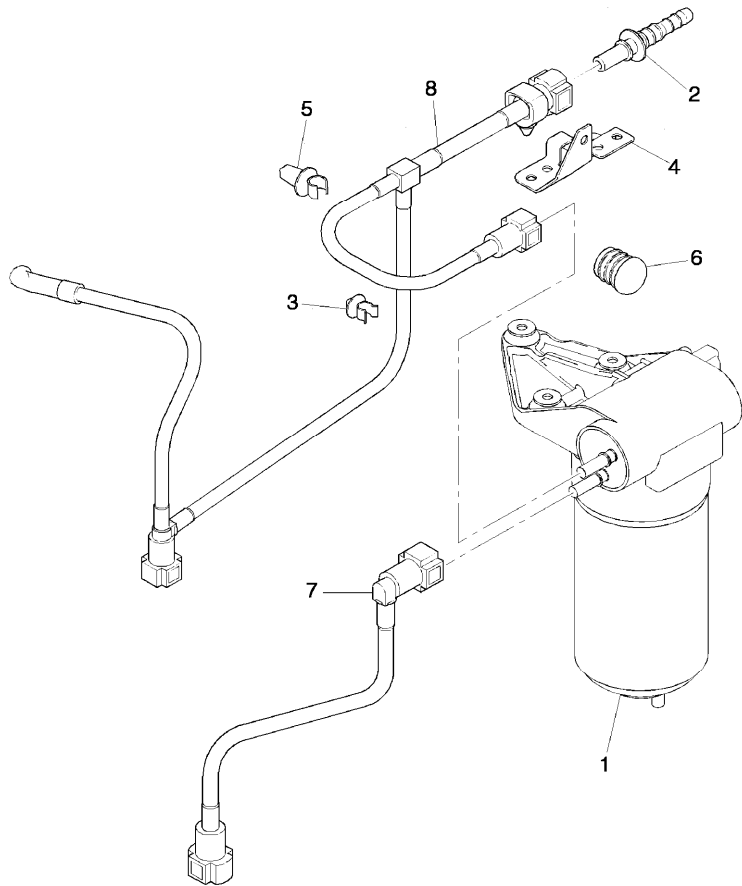
RPB2\000022265.png

A-05
20



A0520

Lift pump



- 1 A-05 19 1
 - 2 3763A045
 - 3 2481D456
 - 4 3661A091
 - 5 2481D559
 - 6 2487A401
 - 7 2646F001
 - 8 2646F009
- See page - reference number

Inglese

- 1 Pump
- 1 Connection
- 1 Clip
- 1 Stirrup
- 1 Clip
- 1 Plug
- 1 Pipe
- 1 Pipe



Suggest:

For more complete manuals. Please go to the home page.

<https://www.ebooklibonline.com>

If the above button click is invalid. Please download this document first, and then click the above link to download the complete manual.

Thank you so much for reading

Engine

Mc Power4 Tier 3 Restyling (2009-2013) - RPB2 - 110

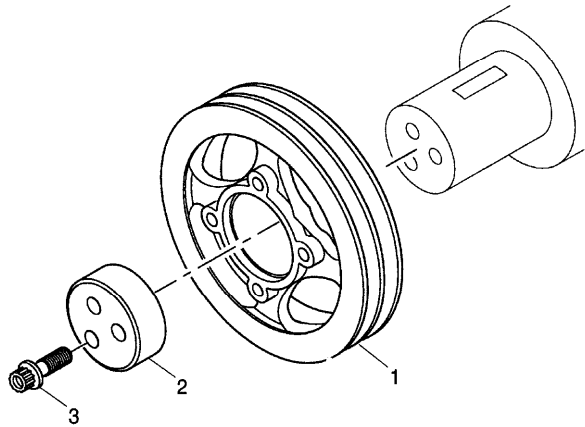
RPB2\000014134.png

A-05
21



A0521

Front end drive input - auxiliary drive



- 1 3115A141 ➡ U056075 t
- 1 3115T051 ➡ U056074 t
- 2 3241N001 ➡ U056074 t
- 3 32186137 ➡ U056074 t
- 3 32186146 ➡ U056075 t

- ➡ From serial or engine number
- ➡ Up to serial or engine number

Inglese

- 1 Pulley
- 1 Pulley
- 1 Block
- 3 Screw
- 3 Bolt

Engine

Mc Power4 Tier 3 Restyling (2009-2013) - RPB2 - 110

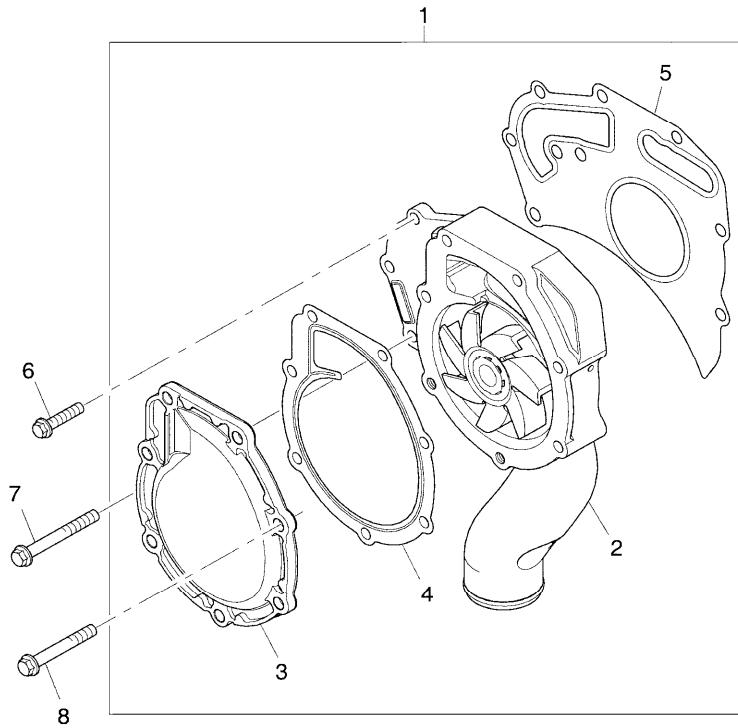
RPB2\000015083.png

A-05
22



A0522

Water pump



1	U5MW0201	●	U5MW0208(1)	1	Kit
2		!	1	1	Pump
		▶	Ref.n.1		
3		▶	Ref.n.1	1	Guard
		!	1		
4	24880234	!	1	1	Guard
5	3682A011	!	1	1	Gasket
6	2314H005			2	Screw
7	2314K164			2	Screw
8	2314H012			5	Screw

Inglese

- ! This is a component of an assembly
- ▶ Not serviced, order
- Replacement

<https://www.ebooklibonline.com>

Hello dear friend!

Thank you very much for reading.

Enter the link into your browser.

The full manual is available for immediate download.

<https://www.ebooklibonline.com>