

Engine - 105 model

Mc Power4 Tier 3 (2008-2009) - RPB1 - 105/110

RPB1\00005987.PNG

**A-05
01**

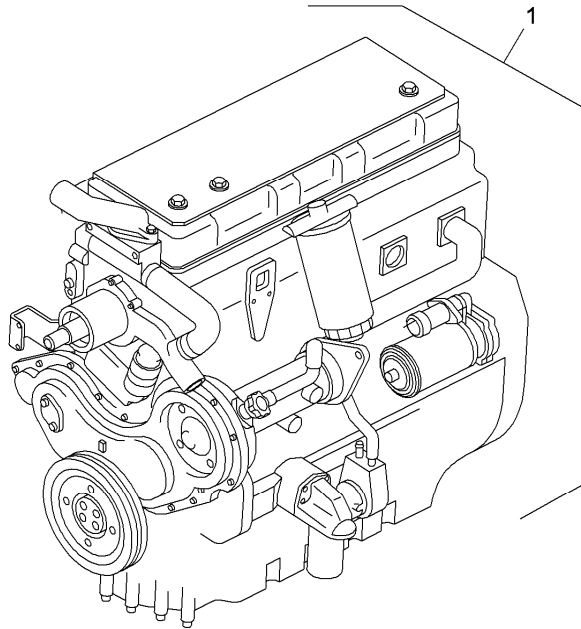


A0501

Engine assembly

1 716224A1

Inglese
1 Engine



Engine - 105 model

Mc Power4 Tier 3 (2008-2009) - RPB1 - 105/110

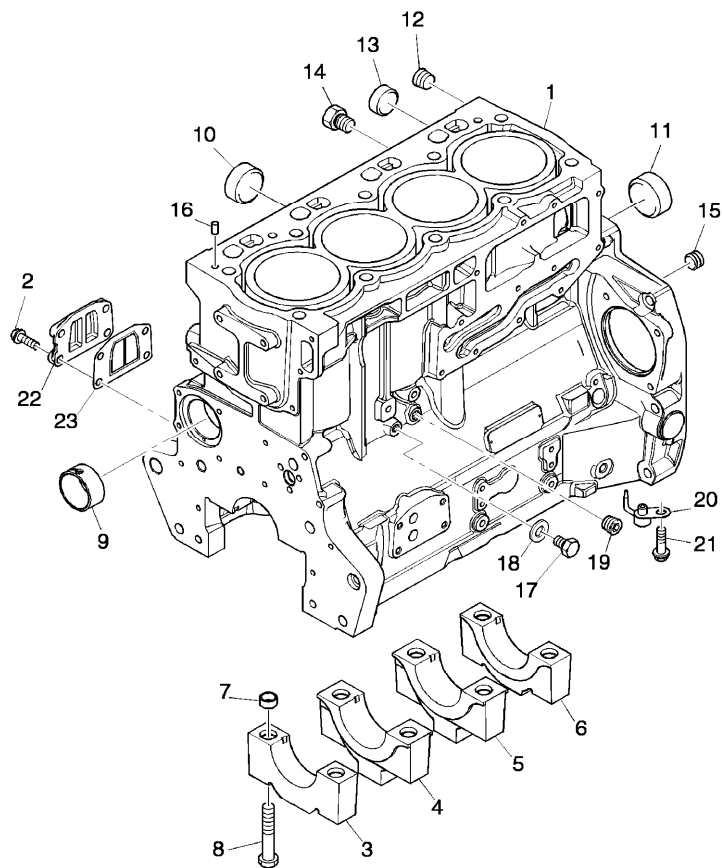
RPB1\000022252.png

A-05
02



A0502

Cylinders block



1	⊕	A-05 01 1
2		2314H034
3	!	1
	➡	Ref.n.1
4	!	1
	➡	Ref.n.1
5	!	1
	➡	Ref.n.1
6	!	1
	➡	Ref.n.1
7		33142111
8		32166329
9	●	3112D071
		3112D075(1)
10		3241A011
11		3241A012
12		0650588
13		0650710
14		32141316
15		3212P008
16		3244A009
17		2314C049
18		2415D053
19		0650594
20		2113A003
21		2314F001

Inglese

1	Engine
4	Screw
1	Bearing cup
1	Bearing cup
1	Bearing cup
1	Bearing cup
10	Manicott
10	Screw
1	Bush
2	Plug
1	Plug
1	Plug
1	Plug
1	Plug
2	Dowel
1	Screw
1	Washer
1	Plug
4	Atomiser
4	Screw

Engine - 105 model

Mc Power4 Tier 3 (2008-2009) - RPB1 - 105/110

RPB1\000022252.png

A-05
02



A0502

Cylinders block

Inglese

22 3753A071

23 3688A041

! This is a component of an assembly

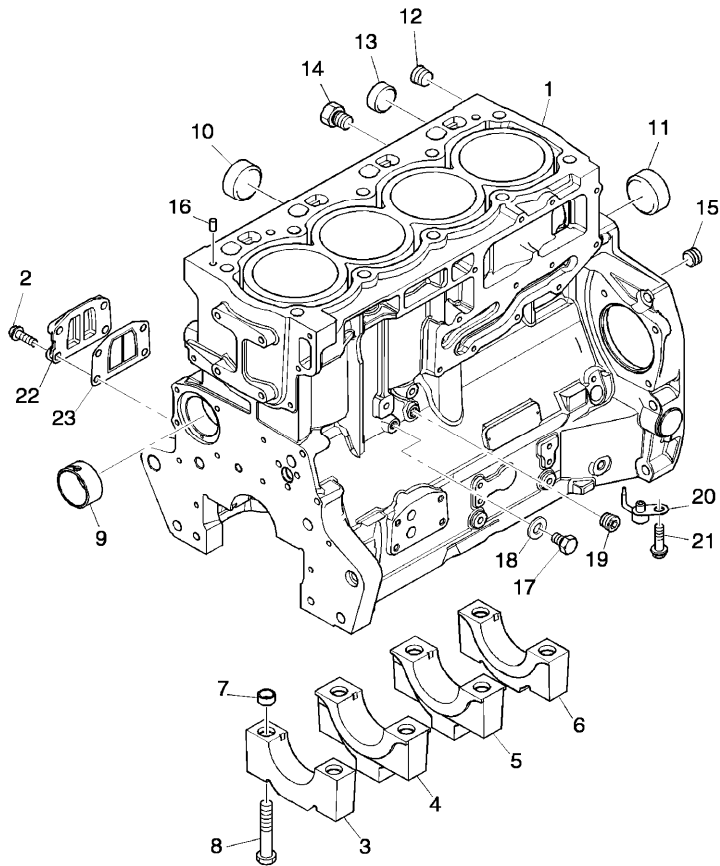
👁 See page - reference number

📄 Not serviced, order

● Replacement

1 Coperch.

1 Gasket



<https://www.ebooklibonline.com>

Hello dear friend!

Thank you very much for reading.

Enter the link into your browser.

The full manual is available for immediate download.

<https://www.ebooklibonline.com>

Engine - 105 model

Mc Power4 Tier 3 (2008-2009) - RPB1 - 105/110

RPB1\000015074.png

**A-05
03**



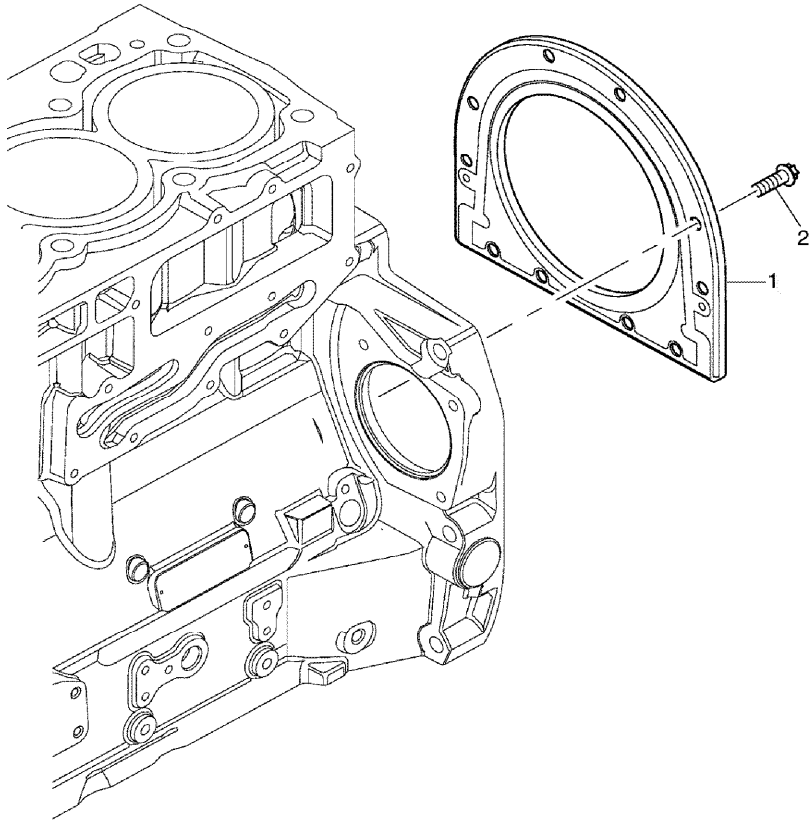
A0503

End cover

Inglese

- 1 2418F704
- 2 3211C002

- 1 Housing
- 10 Screw



Engine - 105 model

Mc Power4 Tier 3 (2008-2009) - RPB1 - 105/110

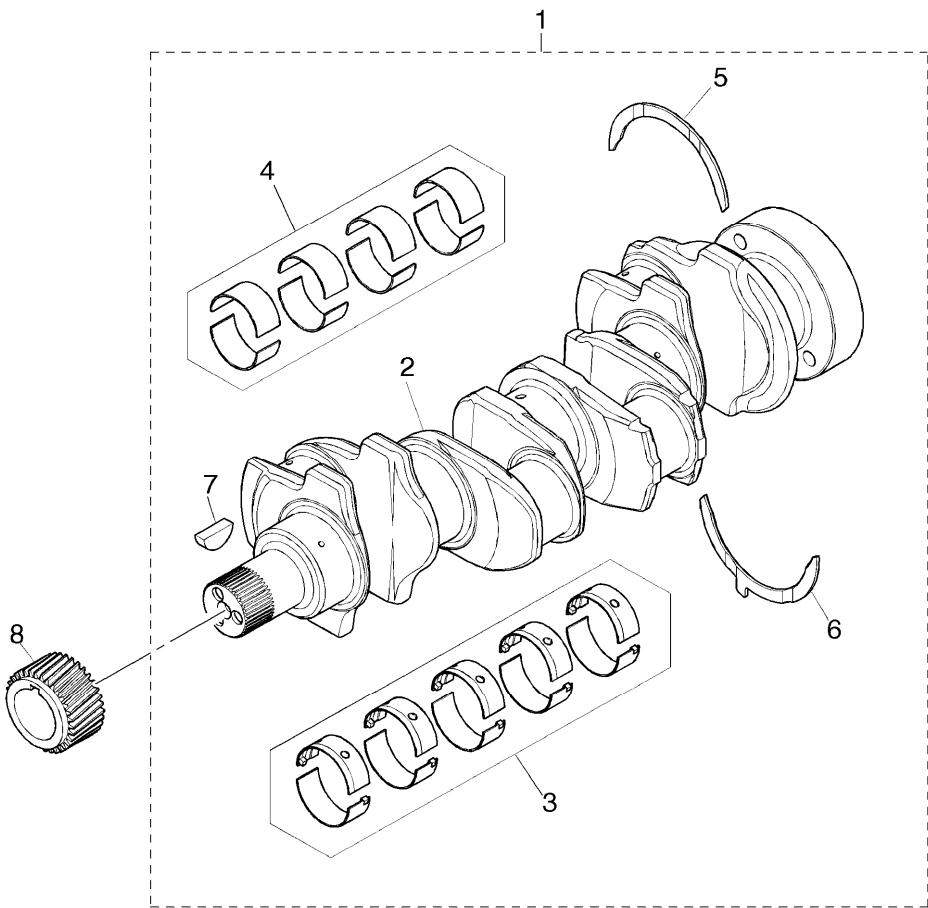
RPB1\000022253.png

**A-05
04**



A0504

Crankshaft



		Inglese	
1	ZZ90222	➔ U491476 t	1 Kit
		● ZZ90239(1)	
1	ZZ90237	➔ U491477 t	1 Shaft
2		! 1	1 Crankshaft
		➔ Ref.n.1	
3	U5MB0018	! 1	1 Kit
		● U5MB0033(1)	
3	U5MB0018A	! 1	1 Kit
		⚡ 0.010 mm	
		● U5MB0033A(1)	
3	U5MB0018B	! 1	1 Kit
		⚡ 0.020 mm	
		● U5MB0033B(1)	
3	U5MB0018C	! 1	1 Kit
		⚡ 0.030 mm	
		● N.L.A.(1)	
4	T400002	! 1	1 Kit
		➔ U491477 t	
		● T410927(1)	
4	U5ME0026	! 1	1 Kit
		➔ U491476 t	
		● U5ME0034(1)	
4	U5ME0026A	! 1	1 Kit
		⚡ 0.25 mm	
		➔ U491476 t	
		● U5ME0034A(1)	

Engine - 105 model

Mc Power4 Tier 3 (2008-2009) - RPB1 - 105/110

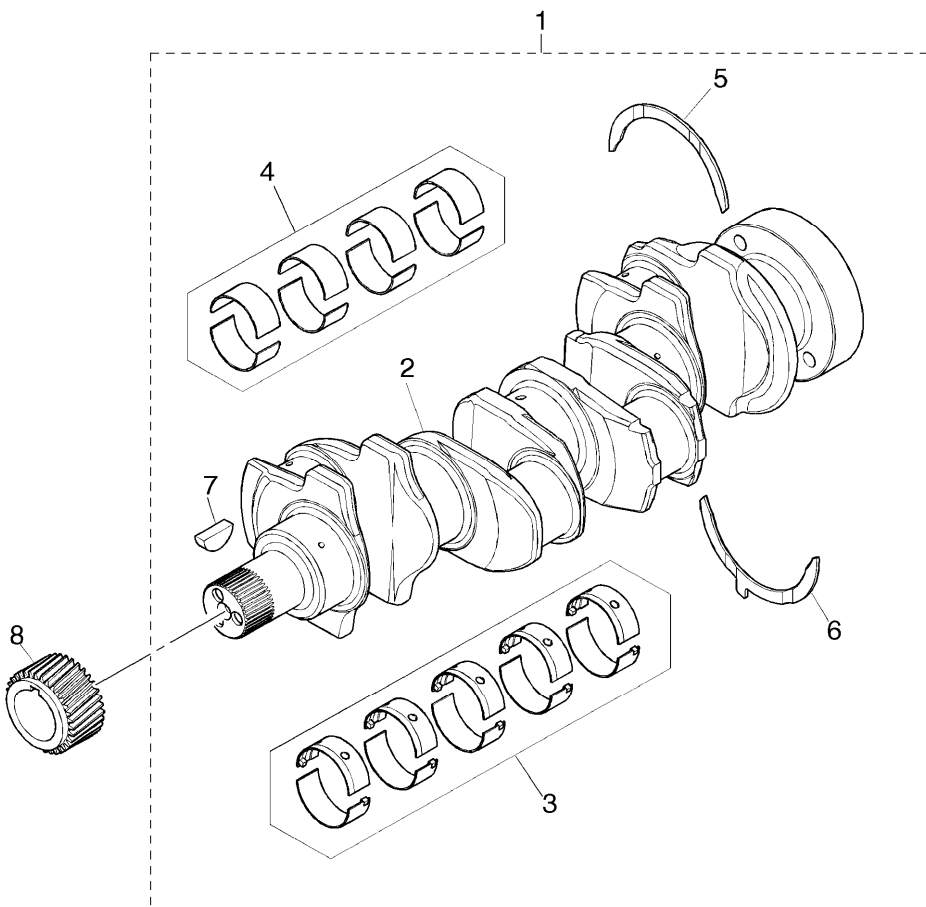
RPB1\000022253.png

**A-05
04**



A0504

Crankshaft



Inglese

4	U5ME0026B	!	1	1 Kit
		⚡	0.50 mm	
		➔	U491476 t	
		●	U5ME0034B(1)	
4	U5ME0026C	!	1	1 Kit
		⚡	0.75 mm	
		➔	U491476 t	
		●	U5ME0034C(1)	
5	31137312	!	1	2 Ring
		⚡	0.007 mm	
5	31137551	!	1	2 Washer
6	31137322	!	1	2 Ring
		⚡	0.007 mm	
6	31137561	!	1	2 Washer
7	0500012	!	1	1 Key
8	3117C221	!	1	1 Gear

- ! This is a component of an assembly
- ➔ From serial or engine number
- ➕ Up to serial or engine number
- ⚡ Not serviced, order
- ⚡ Shim
- Replacement

Engine - 105 model

Mc Power4 Tier 3 (2008-2009) - RPB1 - 105/110

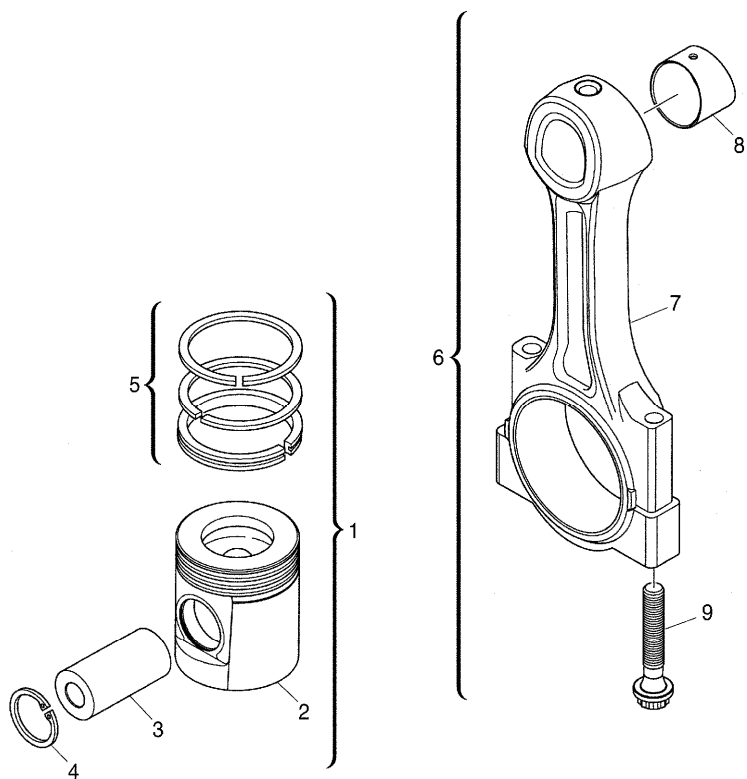
RPB1\000020562.png

A-05
05



A0505

Pistons and connecting rods



			Inglese
1	U5PR0062	Std	4 Kit
1	U5PR0062B	+0,5 mm	4 Kit
2		! 1	1 Piston
		➡ Ref.n.1	
3		! 1	1 Piston
		➡ Ref.n.1	
4	2721332	! 1	2 Ring
5	UPRK0005	! 1	1 Kit
6	4115C311	➡ U491477 t	4 Kit
		A	
		T-A 14:0	
6	4115C312	➡ U491477 t	4 Kit
		B	
		T-A 14:0	
6	4115C313	➡ U491477 t	4 Kit
		C	
		T-A 14:0	
6	4115C314	➡ U491477 t	4 Kit
		D	
		T-A 14:0	
6	4115C315	➡ U491477 t	4 Kit
		E	
		T-A 14:0	
6	4115C316	➡ U491477 t	4 Kit
		F	
		T-A 14:0	

Engine - 105 model

Mc Power4 Tier 3 (2008-2009) - RPB1 - 105/110

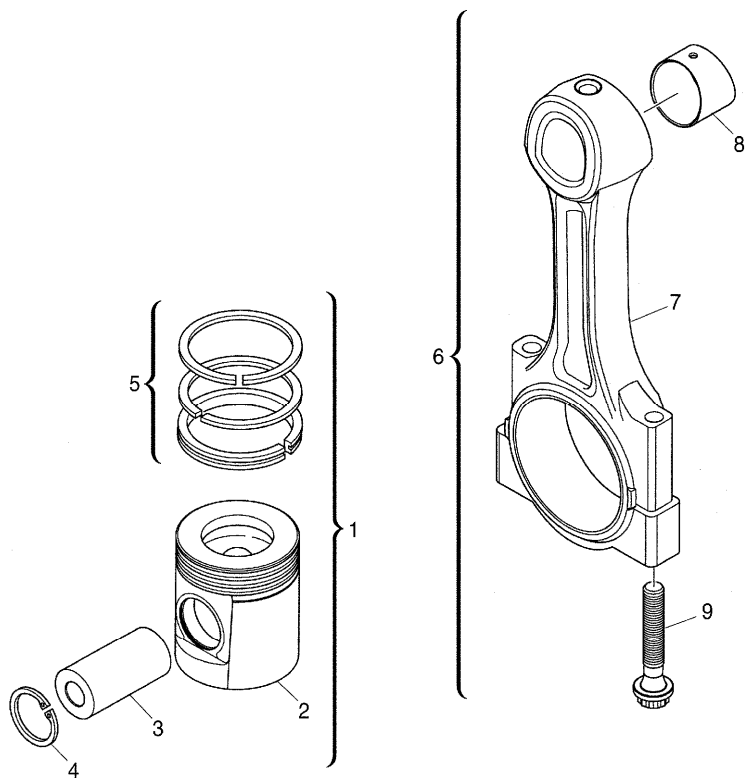
RPB1\000020562.png

A-05
05



A0505

Pistons and connecting rods



			Inglese
6	4115C361	➡ U491478 t	4 Conrod
		A	
6	4115C362	➡ U491478 t	4 Conrod
		B	
6	4115C363	➡ U491478 t	4 Conrod
		C	
6	4115C364	➡ U491478 t	4 Conrod
		D	
6	4115C365	➡ U491478 t	4 Conrod
		E	
6	4115C366	➡ U491478 t	4 Conrod
		F	
7		! 6	1 Conrod
		➡ Ref.n.6	
8	3112A005	! 6	1 Bush
		T-A 14:0	
9	3212V003	! 6	2 Screw
!	This is a component of an assembly		
➡	From serial or engine number		
➡	Up to serial or engine number		
➡	Not serviced, order		
T-A	Replacement		
A	Red		
B	Orange		
C	White		
D	Green		
E	Purple		
F	Blue		

Engine - 105 model

Mc Power4 Tier 3 (2008-2009) - RPB1 - 105/110

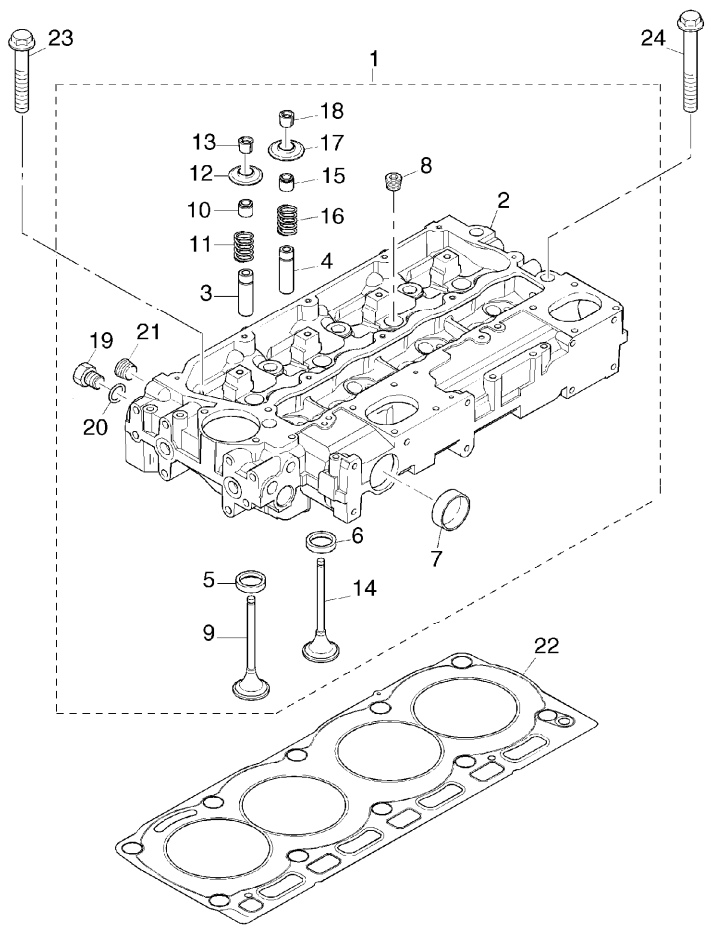
RPB1\000022254.png

A-05
06



A0506

Cylinder head



1 ZZ80279

2 ! 1

➡ Ref.n.1

3 3313A012 ! 1

4 3313A012 ! 1

5 3314A221 ! 1

6 3314A231 ! 1

7 32416117 ! 1

8 0650588 ! 1

9 3142H101 ! 1

10 2418M519 ! 1

A

11 3174A031 ! 1

● T417479(4)

12 3342A021 ! 1

13 2714A002 ! 1

14 3142A171 ! 1

15 2418M517 ! 1

B

16 3174A031 ! 1

● T417479(4)

17 3342A021 ! 1

18 2714A002 ! 1

19 3278A006 ! 1

20 2415H003 ! 1

Inglese

1 Cylinder head

1 Cylinder head

4 Insert

4 Insert

4 Insert

4 Insert

2 Plug

4 Plug

4 Valve

4 Ring

4 Spring

4 Coperch.

8 Collar

4 Valve

4 Ring

4 Spring

4 Coperch.

8 Collar

1 Plug

1 Ring

Engine - 105 model

Mc Power4 Tier 3 (2008-2009) - RPB1 - 105/110

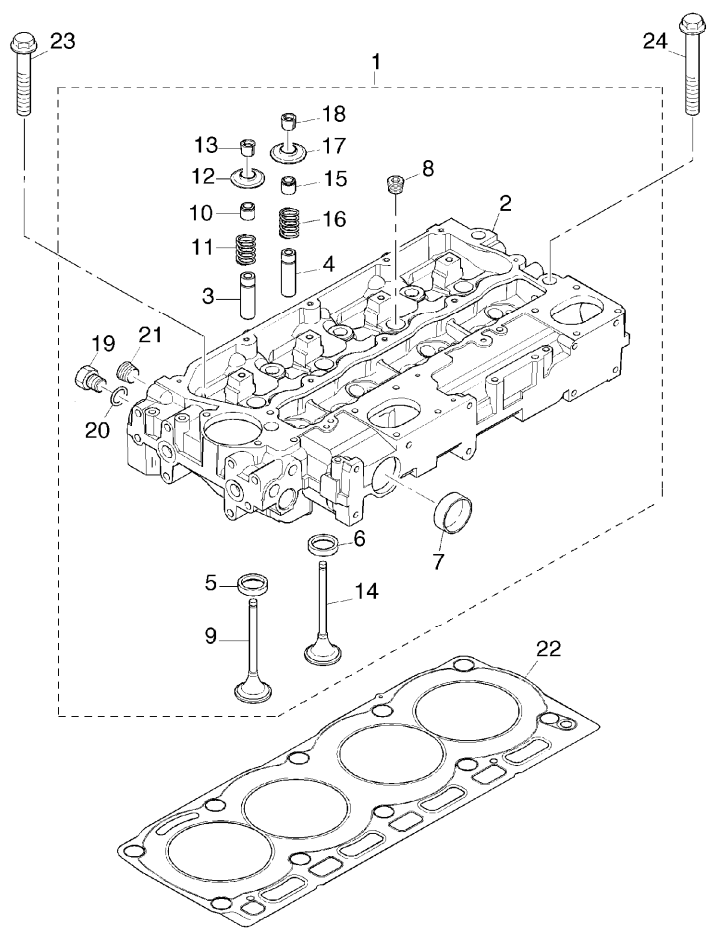
RPB1\000022254.png

A-05
06



A0506

Cylinder head



- 21 2431154 ! 1
- 22 3681E051
- 23 3218A011
- 24 3218A012

- Inglese
- 2 Plug
 - 1 Gasket
 - 7 Screw
 - 3 Screw

- ! This is a component of an assembly
- 🔧 Not serviced, order
- 🔩 Replacement
- A Green
- B Brown

Engine - 105 model

Mc Power4 Tier 3 (2008-2009) - RPB1 - 105/110

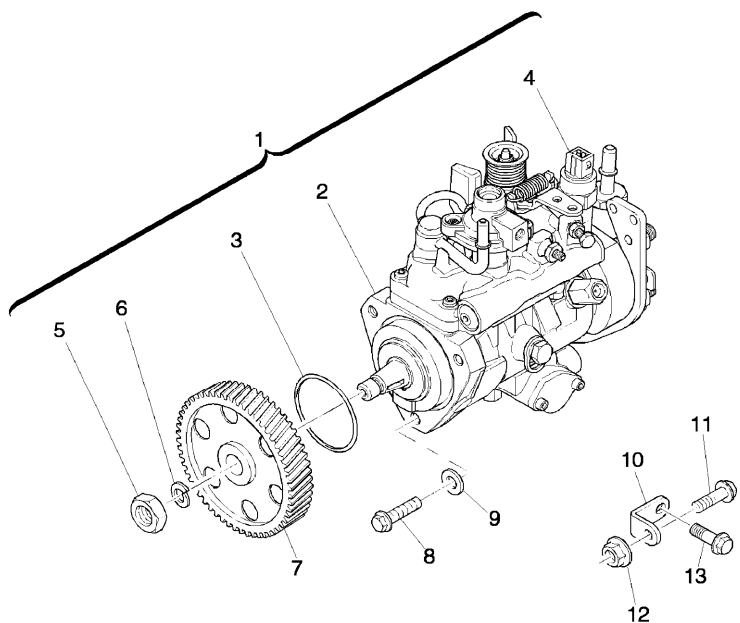
RPB1\000022255.png

A-05
07



A0507

Injection pump assy



1 2644C318/22

2 ! 1

➡ Ref.n.1

3 26420318 ! 1

4 26420469 ! 1

5 2318A108 ! 1

6 K134AF01 ! 1

7 3117L261

8 2314H004

9 2411D008

10 3641A007

11 2314H003

12 2318A603

13 2314J002

! This is a component of an assembly

➡ Not serviced, order

Inglese

1 Pump

1 Pump

1 Ring

1 Solenoid

1 Nut

1 Washer

1 Gear

3 Screw

3 Washer

1 Stirrup

1 Screw

1 Nut

1 Screw

Engine - 105 model

Mc Power4 Tier 3 (2008-2009) - RPB1 - 105/110

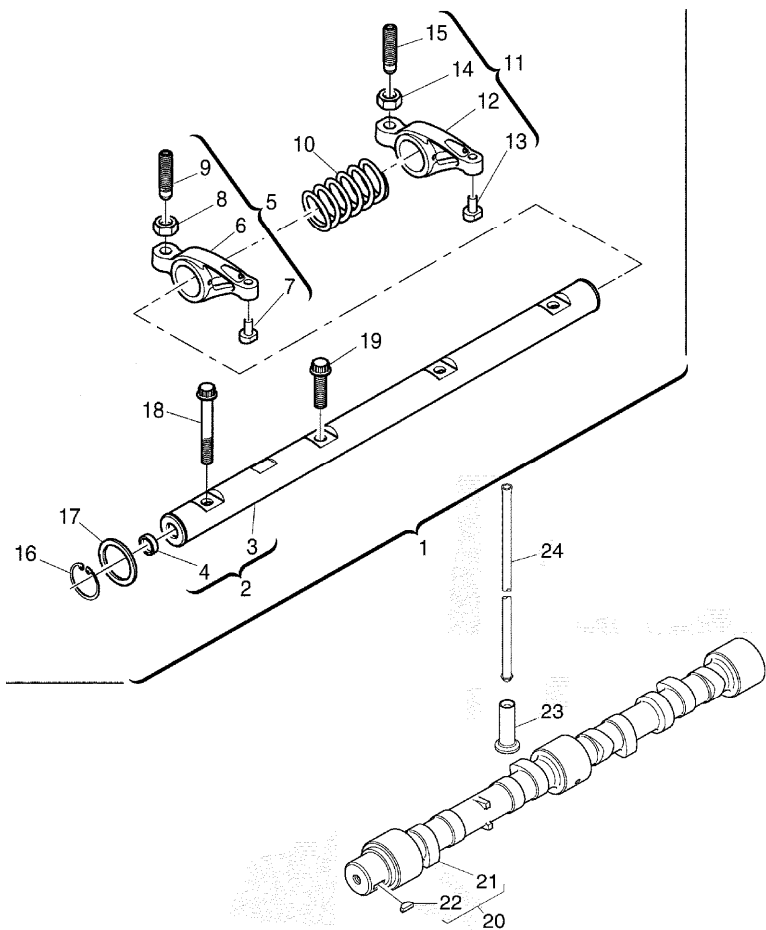
RPB1\000015075.png

A-05
08



A0508

Rocker shaft



			Inglese
1	4115R613		1 Axle
2	4115R703	! 1	1 Shaft
3		! 2	1 Axe
4	2485A104	! 2	2 Plug
5	4115R319	! 1	4 Lever
6		! 5	1 Rocker
7		! 5	1 Pad
8	3331A006	! 5	1 Nut
9	3211C004	! 5	1 Screw
10	3174A015	! 1	3 Spring
11	4115R318	! 1	4 Lever
12		! 11	1 Rocker
13		! 11	1 Pad
14	3331A006	! 11	1 Nut
15	3211C004	! 11	1 Screw
16	2722A022	! 1	2 Ring
17	2134A502	! 1	2 Washer
18	2316A901	! 1	1 Screw
19	2316A902	! 1	3 Screw
20	4112K027		1 Shaft

Engine - 105 model

Mc Power4 Tier 3 (2008-2009) - RPB1 - 105/110

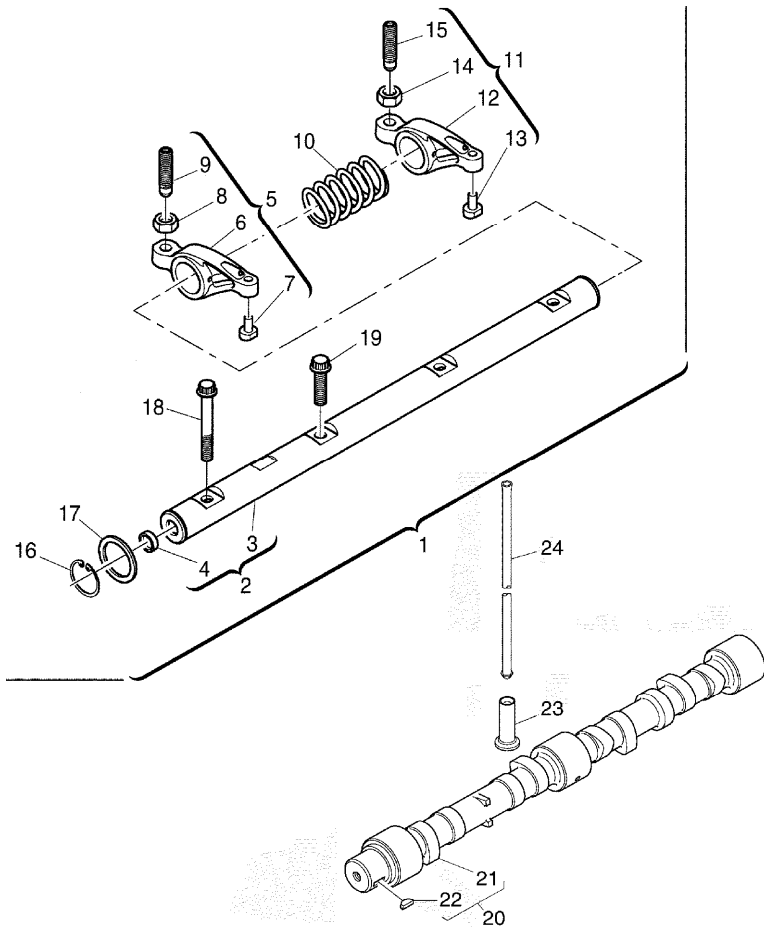
RPB1\000015075.png

**A-05
08**



A0508

Rocker shaft



Inglese

- | | | | | |
|----|------------------------------------|----------|---------|----------|
| 21 | ! | 20 | 1 Shaft | |
| | ➡ | Ref.n.20 | | |
| 22 | 0500012 | ! | 20 | 1 Key |
| 23 | 3142U061 | | | 8 Tappet |
| 24 | 3142V011 | | | 8 Rod |
| ! | This is a component of an assembly | | | |
| ➡ | Not serviced, order | | | |

Engine - 105 model

Mc Power4 Tier 3 (2008-2009) - RPB1 - 105/110

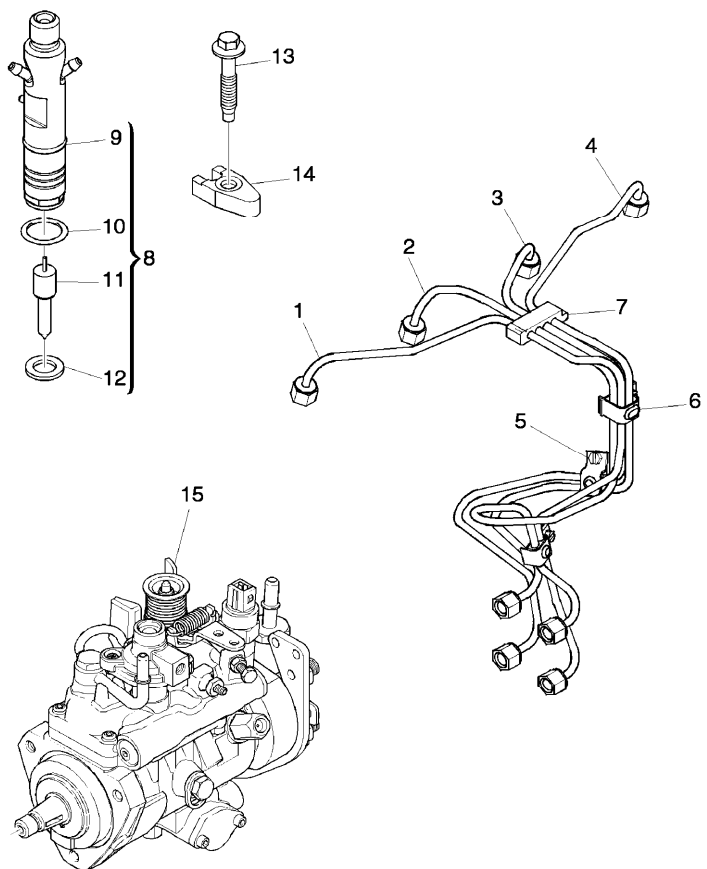
RPB1\000022256.png

**A-05
09**



A0509

Fuel injection equipment (diesel)



		Inglese
1	3525A101	1 Pipe
2	3525A102	1 Pipe
3	3525A103	1 Pipe
4	3525A104	1 Pipe
5	2481Y011	2 Clip
6	2481Y012	1 Clip
7	2646E019	1 Clip
8	2645K025	4 Nozzle
9	!	8
	➡	Ref.n.8
10	26460064	!
	!	8
11	!	8
	➡	Ref.n.8
12	L311FF02	!
	!	8
13	2314W009	1 Washer
14	3751A241	4 Screw
15	⦿	A-05 07 1
!	This is a component of an assembly	
⦿	See page - reference number	
➡	Not serviced, order	

Engine - 105 model

Mc Power4 Tier 3 (2008-2009) - RPB1 - 105/110

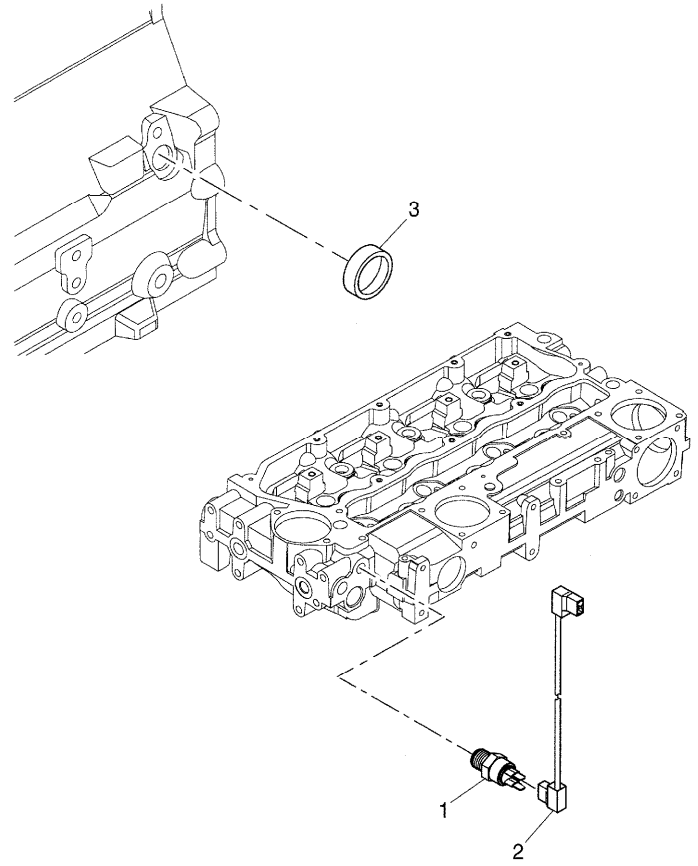
RPB1\000020530.png

A-05
10



A0510

Sensor pickup



- 1 2848A123
- 2 3161C017
- 3 2485A109

Inglese

- 1 Sensor
- 1 Cable
- 1 Plug

Engine - 105 model

Mc Power4 Tier 3 (2008-2009) - RPB1 - 105/110

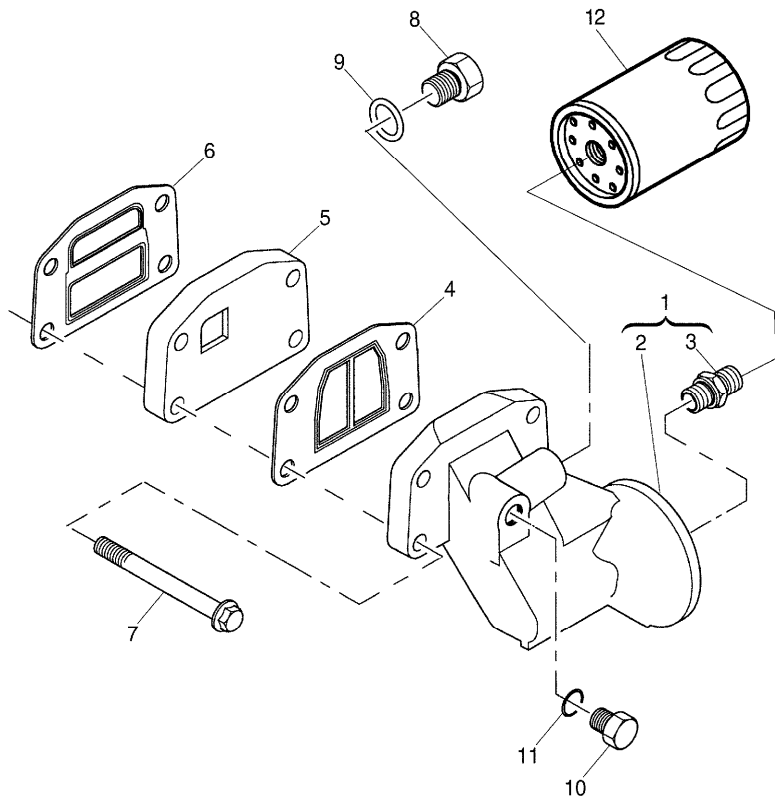
RPB1\000020539.png

**A-05
11**



A0511

Lube oil filters



		Inglese	
1	4134E057	● 3773A071(1)	1 Head
2		! 1	1 Head
3	33554128	➡ Ref.n.1	1 Union
4	3688A041	! 1	1 Gasket
5	3773A081		1 Adaptor
6	3688A039		1 Gasket
7	2314H038		4 Screw
8	3278A004		1 Plug
9	2415H002		1 Ring
10	3278A007		1 Plug
11	2415H009		1 O ring
12	701899A1		1 Oil filter

- ! This is a component of an assembly
- ➡ Not serviced, order
- Replacement

Engine - 105 model

Mc Power4 Tier 3 (2008-2009) - RPB1 - 105/110

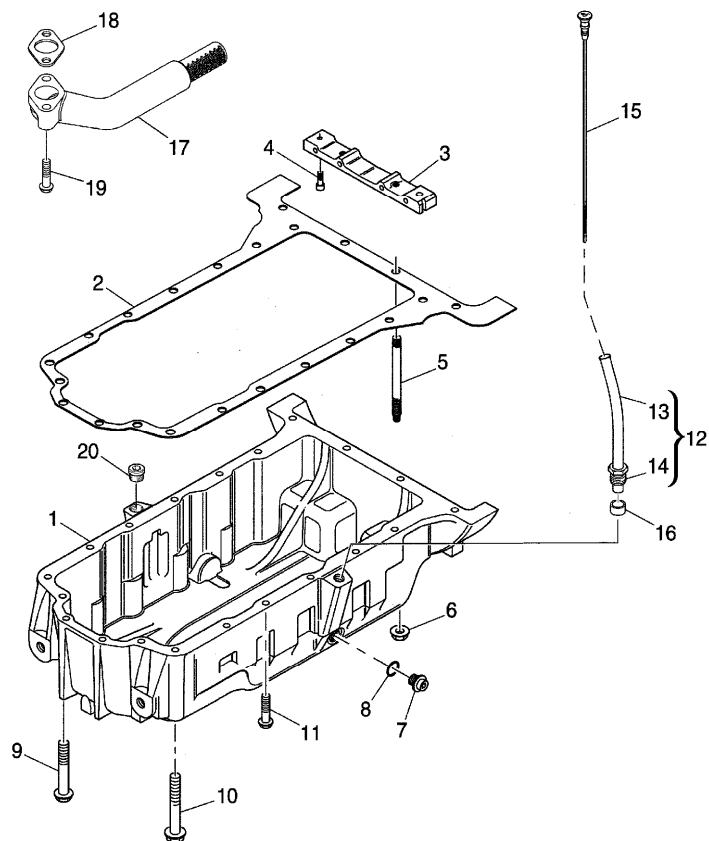
RPB1\000014129.png

A-05
12



A0512

Oil sump



- 1 3717E261
- 2 3681K036
- 3 3627P041
- 4 2311D039
- 5 3211P013
- 6 2318A603
- 7 32186405
- 8 2415715
- 9 2314H023
- 10 2314H022
- 11 2314H015
- 12 3577A125
- 13
- 14 3353D005
- 15 3178C088
- 16 33812116
- 17 3765A111
- 18 36832137
- 19 2314H006
- 20 2431A016

● 2314H052(1)

➡ Ref.n.12

! 12

! This is a component of an assembly

➡ Not serviced, order

● Replacement

Inglese

- 1 Sump
- 1 Gasket
- 1 Crosspiece
- 2 Screw
- 2 Stud
- 2 Nut
- 2 Plug
- 2 Ring
- 5 Screw
- 1 Screw
- 12 Screw
- 1 Pipe
- 1 Pipe
- 1 Nut
- 1 Rod
- 1 Olive
- 1 Pipe
- 1 Gasket
- 2 Screw
- 1 Plug

Engine - 105 model

Mc Power4 Tier 3 (2008-2009) - RPB1 - 105/110

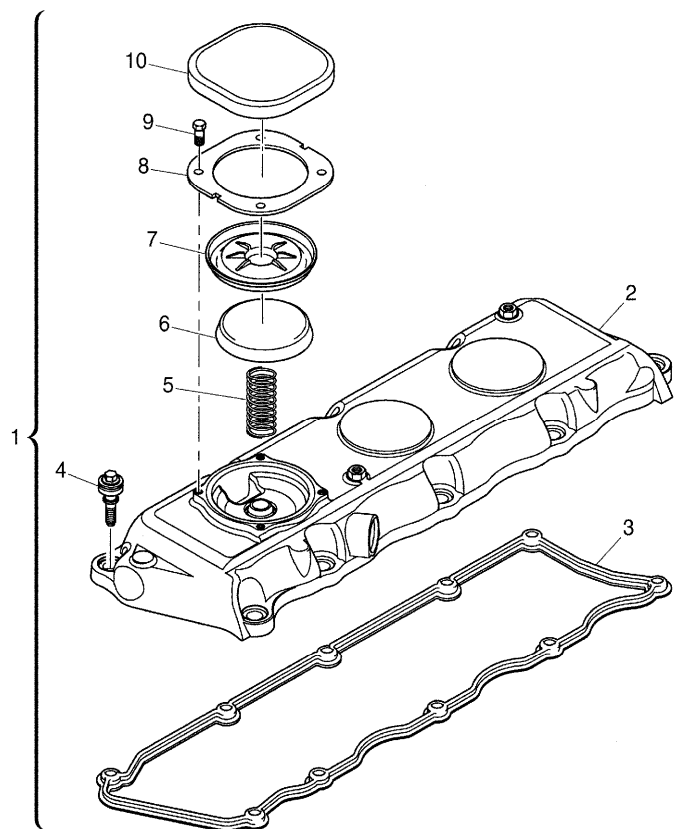
RPB1\000020533.png

A-05
13



A0513

Cylinder head cover



				Inglese
1	4142X325	●	T417478(1)	1 Coperch.
2		!	1	1 Cover
3	3681A055	▶	Ref.n.1	
4		!	1	1 Gasket
5	3174A017	▶	Ref.n.1	
6	3788A002	!	1	10 Screw
7	3789A001	!	1	1 Spring
8	3615A009	!	1	1 Cap
9	2151A001	!	1	1 Diaphragm
10	3788A003	!	1	1 Plate
		!		4 Screw
		!		1 Cap

! This is a component of an assembly
▶ Not serviced, order
● Replacement

Engine - 105 model

Mc Power4 Tier 3 (2008-2009) - RPB1 - 105/110

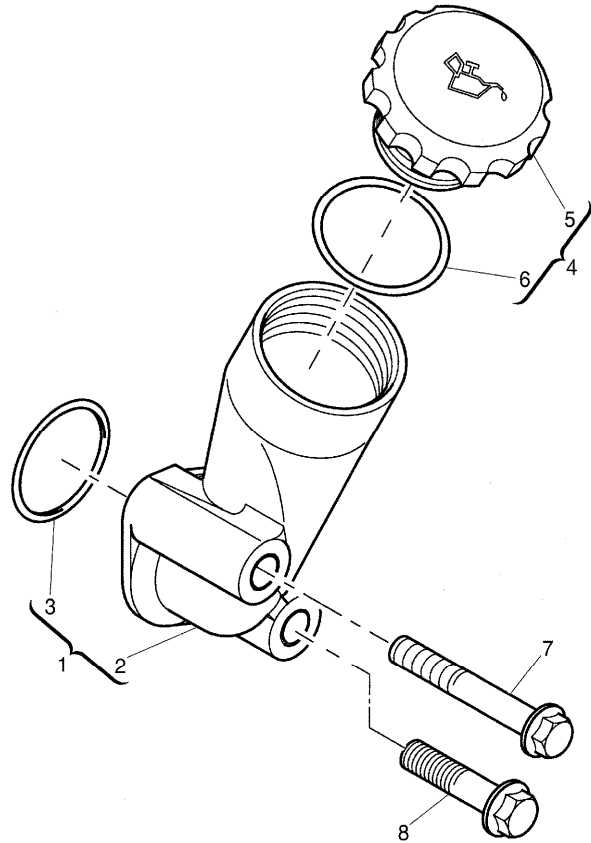
RPB1\000020589.png

A-05
14



A0514

Filler



				Inglese
1	4134C019	●	N.L.S.(1)	1 Filler
2		!	1	1 Body
		➡	Ref.n.1	
3	2415B121	!	1	1 O ring
4	4142X098	!	1	1 Plug
5		!	4	1 Plug
		➡	Ref.n.4	
6	2415633	!	4	1 O ring
7	2314K161			1 Screw
8	2314H008			1 Screw

- ! This is a component of an assembly
- ➡ Not serviced, order
- Replacement

Engine - 105 model

Mc Power4 Tier 3 (2008-2009) - RPB1 - 105/110

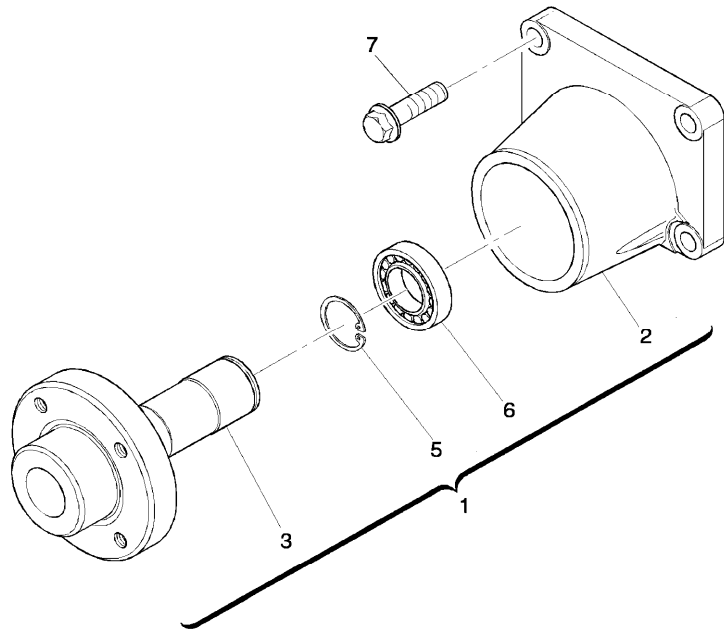
RPB1\000022257.png

**A-05
15**



A0515

Fan's support



			Inglese
1	4113K007		1 Stirrup
2		! 1	1 Stirrup
		➡ Ref.n.1	
3		! 1	1 Hub
		➡ Ref.n.1	
4		! 1	1 Spacer
		➡ Ref.n.1	
5	2722A022	! 1	1 Ring
6		! 1	2 Bearing
		➡ Ref.n.1	
7	2314J005		4 Screw

! This is a component of an assembly

➡ Not serviced, order

Engine - 105 model

Mc Power4 Tier 3 (2008-2009) - RPB1 - 105/110

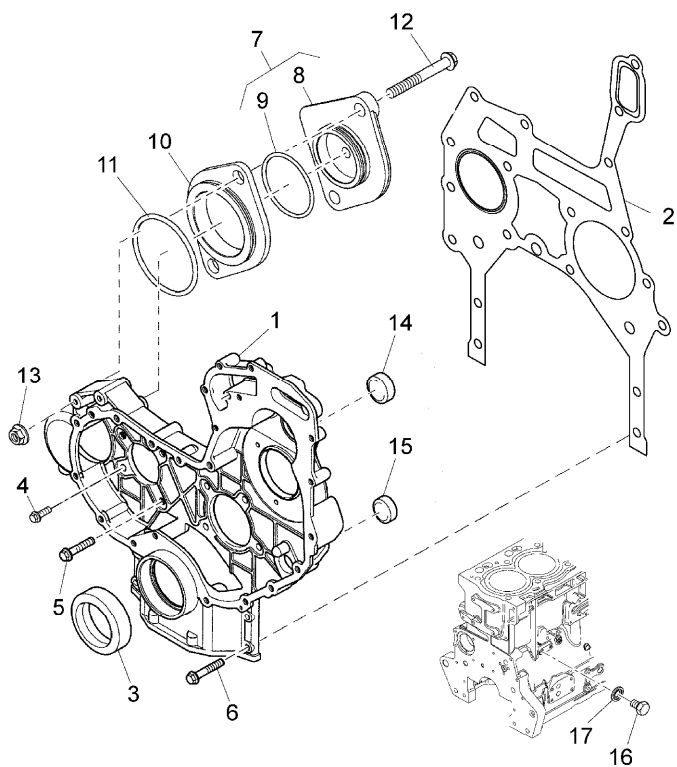
RPB1\000015081.png

A-05
16



A0516

Gasket sets



		Inglese
1	3716C581	1 Housing
2	3681P053	1 Gasket
3	2418F437	1 Gasket
4	2314H003	6 Screw
5	2314H006	2 Screw
6	2314H034	4 Screw
7	4148K012	1 Plate
8	!	7
	➡	Ref.n.7
9	2415H515	! 7
10	3617A021	1 Ring
11	2415H516	1 Disc
12	2314J014	1 O ring
13	2318A604	2 Screw
14	2485A124	2 Nut
15	2485A124	1 Plug
16	2314C049	1 Plug
17	2415D053	1 Screw

- ! This is a component of an assembly
- ➡ Not serviced, order



Suggest:

For more complete manuals. Please go to the home page.

<https://www.ebooklibonline.com>

If the above button click is invalid. Please download this document first, and then click the above link to download the complete manual.

Thank you so much for reading

Engine - 105 model

Mc Power4 Tier 3 (2008-2009) - RPB1 - 105/110

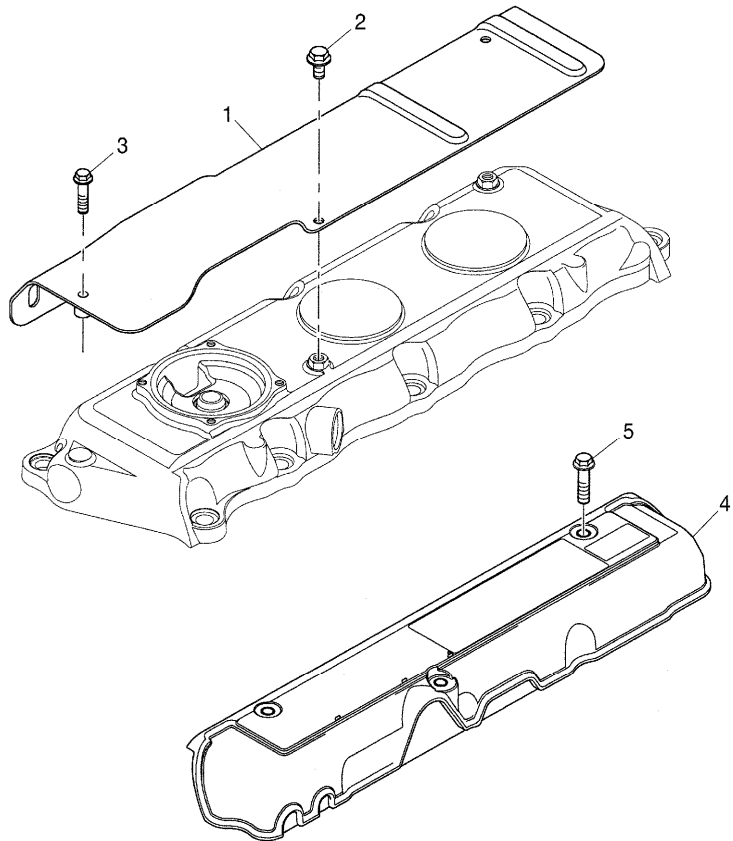
RPB1\000020537.png

A-05
17



A0517

Cylinder head cover



- 1 3812A026
- 2 2314F001
- 3 2314F006
- 4 3788N003
- 5 2314F003

Inglese

- 1 Heatshield
- 2 Screw
- 1 Screw
- 1 Cover
- 3 Screw

Engine - 105 model

Mc Power4 Tier 3 (2008-2009) - RPB1 - 105/110

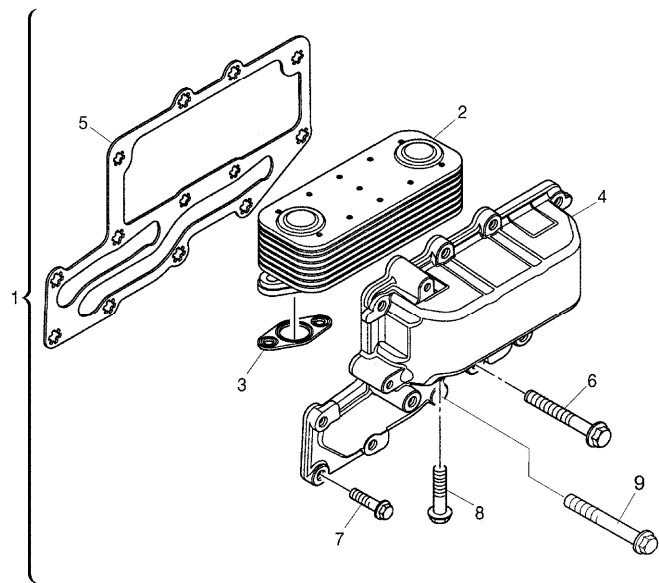
RPB1\000015031.png

A-05
18



A0518

Oil bath air filter - lautrette



1	4134W021	●	4134W025(1)
2	2486A217	!	1
3	3685A025	!	1
4		!	1
		➡	Ref.n.1
5	3685A033	!	1
6	2314K161	!	1
7	2314H004	!	1
8	2314H006	!	1
9	2311D060	!	1

Inglese

1	Radiator
1	Exchanger
2	Ring
1	Cooler
1	Gasket
3	Screw
8	Screw
4	Screw
2	Screw

- ! This is a component of an assembly
- ➡ Not serviced, order
- Replacement

<https://www.ebooklibonline.com>

Hello dear friend!

Thank you very much for reading.

Enter the link into your browser.

The full manual is available for immediate download.

<https://www.ebooklibonline.com>