

Engine

Mc Power4 Tier 3 (2008-2009) - RPB1 - 130

RPB1\00005987.PNG

A-05  
01



A0501

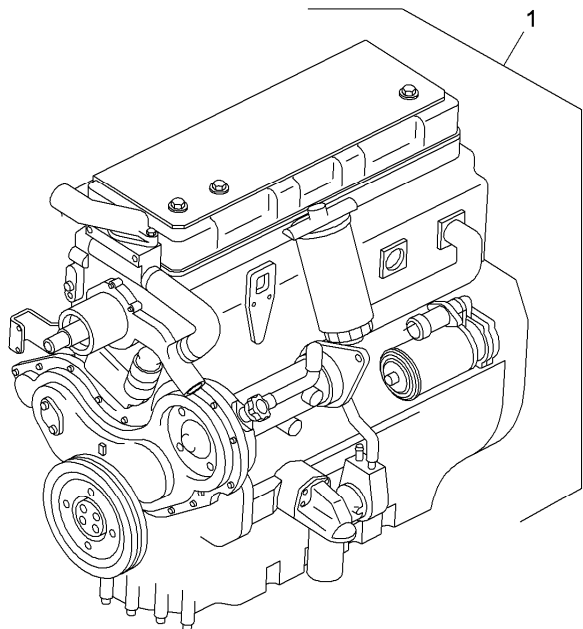
Engine assembly

Inglese

1 4212011M91 ● 4212011M92(1) 1 Engine

Perkins nj38571

● Replacement



Engine

Mc Power4 Tier 3 (2008-2009) - RPB1 - 130

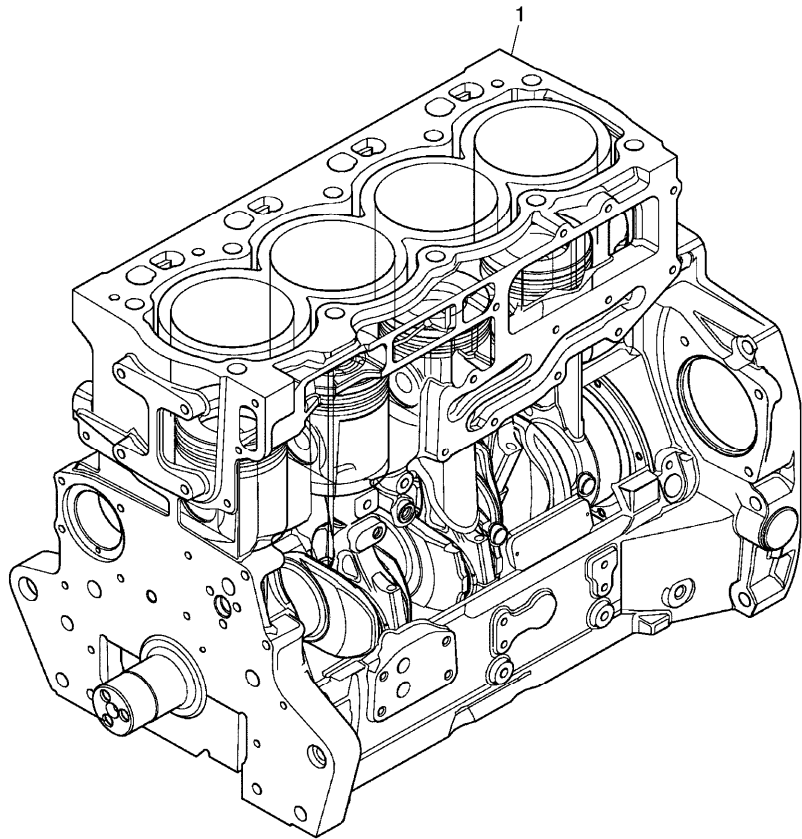
RPB1\000015070.PNG

A-05  
015



A05015

Short engine



Inglese

- |   |         |  |                                  |   |              |
|---|---------|--|----------------------------------|---|--------------|
| 1 | NH39872 |  | U056074t                         | 1 | Short engine |
|   |         |  | 3115A141(1),<br>32186146(3), NH4 |   |              |
| 1 | NH40030 |  | U056075t                         | 1 | Short engine |

- From serial or engine number
- Up to serial or engine number
- Replacement

Engine

Mc Power4 Tier 3 (2008-2009) - RPB1 - 130

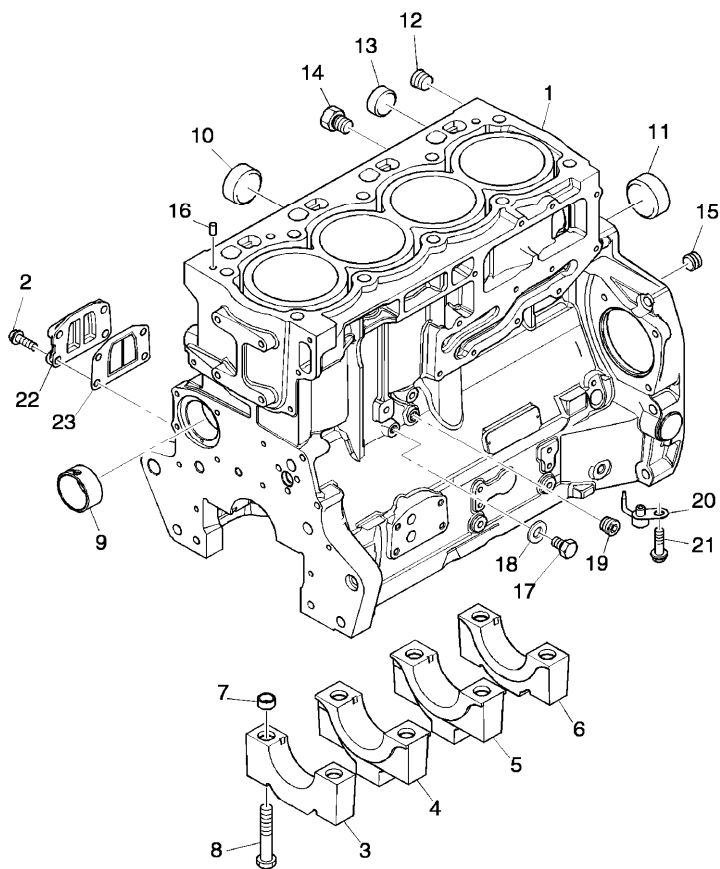
RPB1\000022252.png

A-05  
02



A0502

Cylinders block



			Inglese
1	ZZ50318		1 Block
2	2314H034	! 1	4 Screw
3		! 1	1 Bearing cup
		➡ Ref.n.1	
4		! 1	1 Bearing cup
		➡ Ref.n.1	
5		! 1	1 Bearing cup
		➡ Ref.n.1	
6		! 1	1 Bearing cup
		➡ Ref.n.1	
7	33142111	! 1	10 Manicott
8	32166329	! 1	10 Screw
9	3112D071	! 1	1 Bush
		● 3112D075(1)	
10	3241A011	! 1	2 Plug
11	3241A012	! 1	1 Plug
12	0650588	! 1	1 Plug
13	0650710	! 1	1 Plug
14	32141316	! 1	1 Plug
15	3212P008	! 1	1 Plug
16	3244A009	! 1	2 Dowel
17	2314C049	! 1	1 Screw
18	2415D053	! 1	1 Washer
19	0650594	! 1	1 Plug
20	2113A003	! 1	4 Atomiser

**<https://www.ebooklibonline.com>**

Hello dear friend!

Thank you very much for reading.

Enter the link into your browser.

The full manual is available for immediate download.

**<https://www.ebooklibonline.com>**

Engine

Mc Power4 Tier 3 (2008-2009) - RPB1 - 130

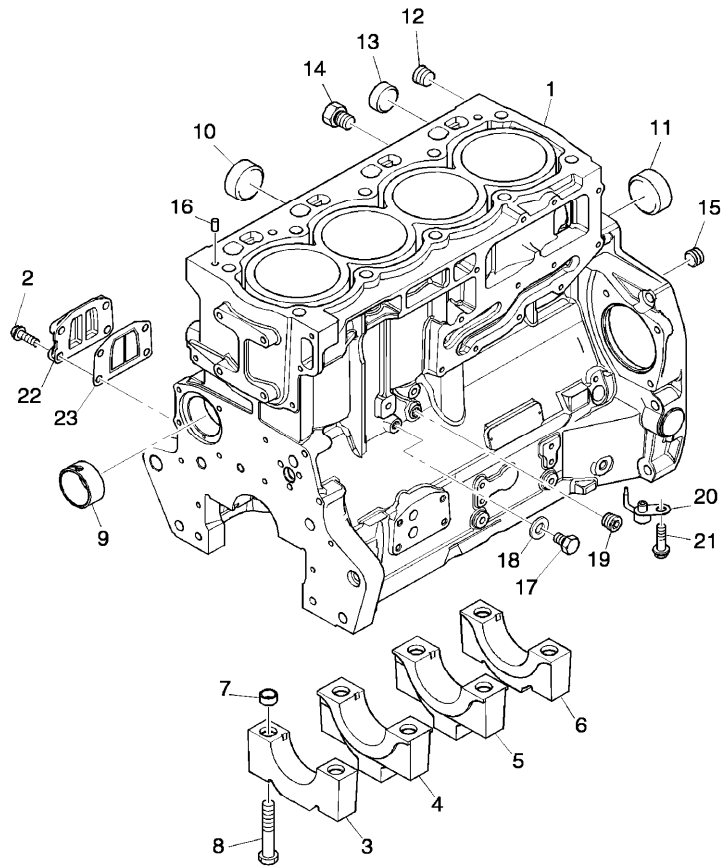
RPB1\000022252.png

A-05  
02



A0502

Cylinders block



Inglese

21	2314F001	!	1	4	Screw
22	3753A071	!	1	1	Coperch.
23	3688A041	!	1	1	Gasket

- ! This is a component of an assembly
- ▣ Not serviced, order
- Replacement

Engine

Mc Power4 Tier 3 (2008-2009) - RPB1 - 130

RPB1\000015074.png

A-05  
03



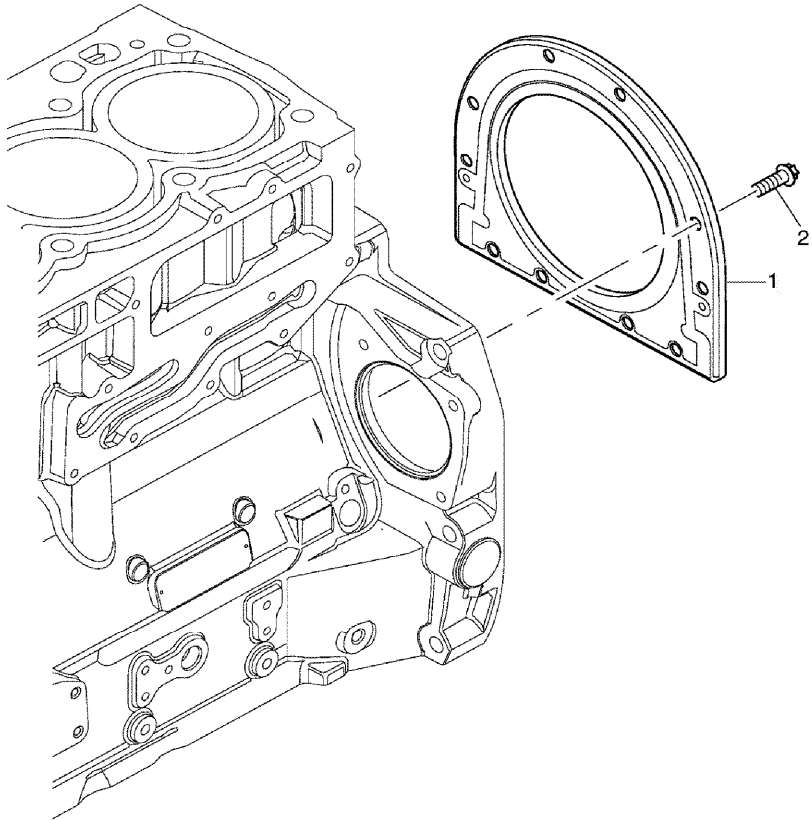
A0503

End cover

Inglese

- 1 2418F704
- 2 3211C002

- 1 Housing
- 10 Screw



Engine

Mc Power4 Tier 3 (2008-2009) - RPB1 - 130

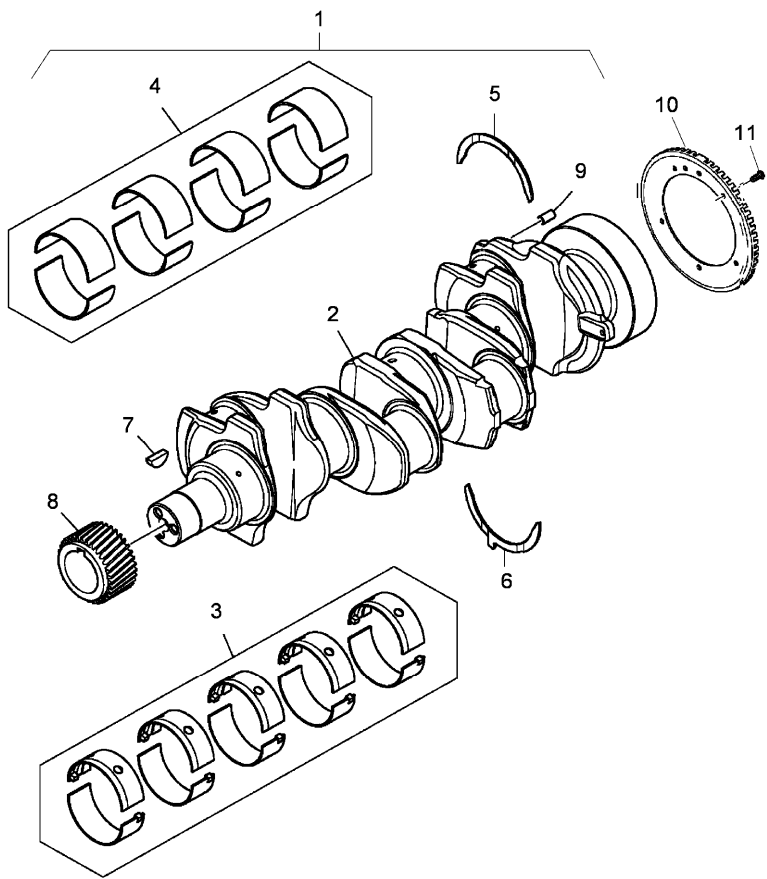
RPB1\00006973.png

A-05  
04



A0504

Crankshaft



Inglese

-	➔	U056074t	
1	●	ZZ90233	1 Shaft
2	!	1	1 Crankshaft
	➔	Ref.n.1	
3	!	U5MB0018	1 Kit
	●	U5MB0033(1)	
3	!	U5MB0018A	1 Kit
	⌵	0.010 mm	
	●	U5MB0033A(1)	
3	!	U5MB0018B	1 Kit
	⌵	0.020 mm	
	●	U5MB0033B(1)	
3	!	U5MB0018C	1 Kit
	⌵	0.030 mm	
	●	N.L.A.(1)	
4	!	T400002	1 Kit
	➔	U491477 t	
	●	T410927(1)	
4	!	U5ME0026	1 Kit
	➔	U491476 t	
	●	U5ME0034(1)	
4	!	U5ME0026A	1 Kit
	⌵	0.25 mm	
	➔	U491476 t	
	●	U5ME0034A(1)	

Engine

Mc Power4 Tier 3 (2008-2009) - RPB1 - 130

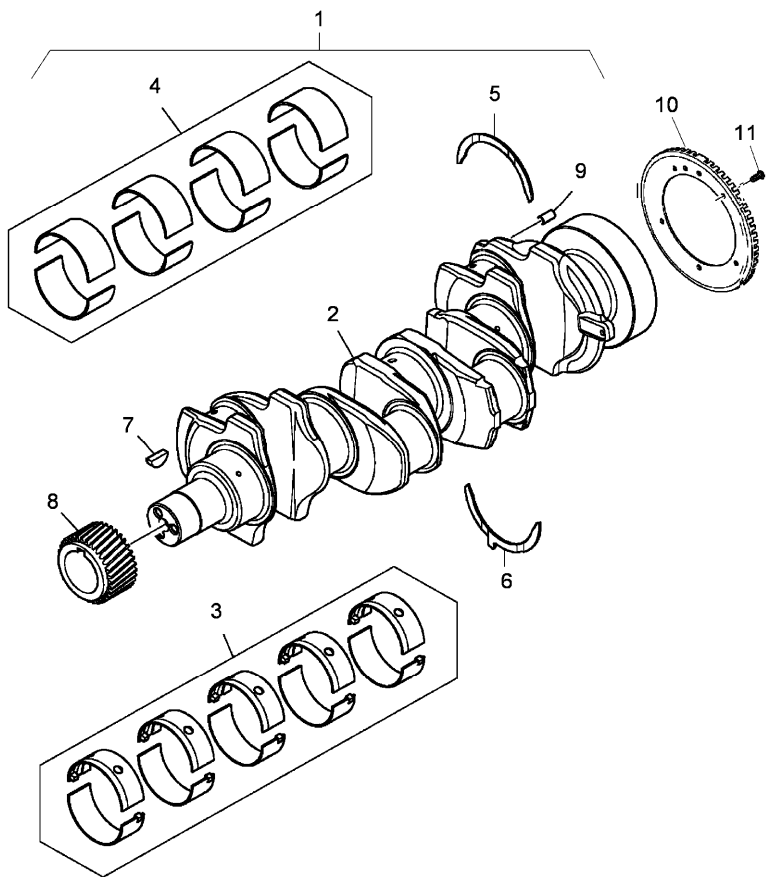
RPB1\00006973.png

A-05  
04



A0504

Crankshaft



				Inglese
4	U5ME0026B	!	1	1 Kit
		▲	0.50 mm	
		→	U491476 t	
		●	U5ME0034B(1)	
4	U5ME0026C	!	1	1 Kit
		▲	0.75 mm	
		→	U491476 t	
		●	U5ME0034C(1)	
5	31137312	!	1	2 Ring
		▲	0.007 mm	
5	31137551	!	1	2 Washer
6	31137322	!	1	2 Ring
		▲	0.007 mm	
6	31137561	!	1	2 Washer
7	0500012			1 Key
8	3117C221			1 Gear
9	3313A036	!	1	1 Dowel
10	3116L022			1 Change device
11	2316T244			3 Screw
!	This is a component of an assembly			
→	From serial or engine number			
→	Up to serial or engine number			
→	Not serviced, order			
▲	Shim			
●	Replacement			

Engine

Mc Power4 Tier 3 (2008-2009) - RPB1 - 130

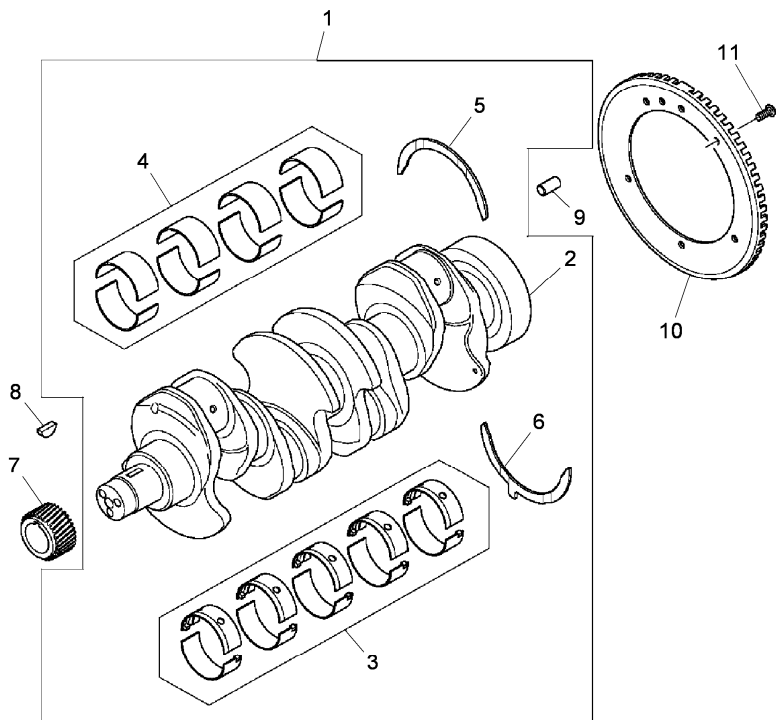
RPB1\00008779.png

**A-05  
041**



A05041

Crankshaft



Inglese

-	➔	U056075t	
1		ZZ90241	1 Shaft
2	!	1	1 Crankshaft
3	➔	Ref.n.1	
3	U5MB0033	!	1 Kit
3	U5MB0033A	!	1 Kit
	⚡	-0,25 mm	
3	U5MB0033B	!	1 Kit
	⚡	-0,50 mm	
3	U5MB0033C	!	1 Kit
	⚡	-0,75 mm	
	●	N.L.A.(1)	
4	T400002	!	1 Kit
	●	T410927(1)	
5	31137312	!	2 Ring
	⚡	0.007 mm	
5	31137551	!	2 Washer
6	31137322	!	2 Ring
	⚡	0.007 mm	
6	31137561	!	2 Washer
7	3117C221		1 Gear
8	0500012		1 Key
9	3313A036		1 Dowel
10	3116L022		1 Change device
11	2316T244		3 Screw
!	This is a component of an assembly		

Engine

Mc Power4 Tier 3 (2008-2009) - RPB1 - 130





RPB1\00008779.png

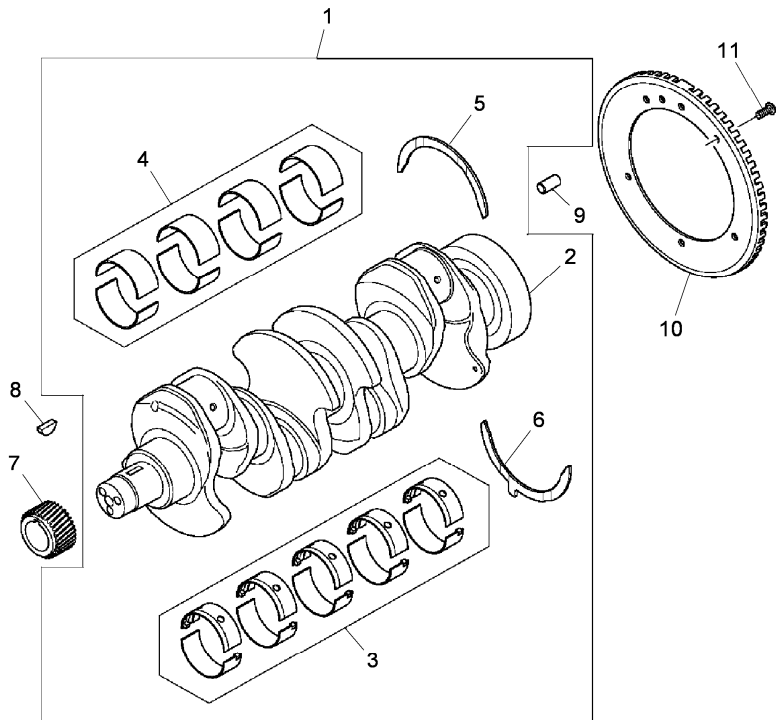
A-05  
041



A05041

Crankshaft

-  From serial or engine number
-  Not serviced, order
-  Shim
-  Replacement



Engine

Mc Power4 Tier 3 (2008-2009) - RPB1 - 130

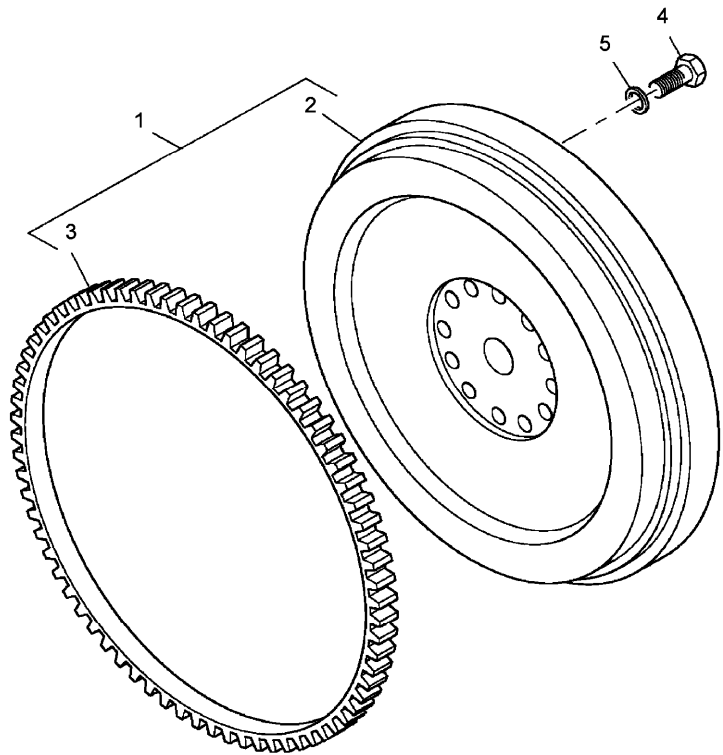
RPB1\00006984.png

A-05  
045



A05045

Flywheel



				Inglese
1	4111D267	↔	E-04 01 1	1 Flywheel
2		!	1	1 Flywheel
		➡	Ref.n.1	
3	0410236	!	1	1 Crownwheel
		●	3552228M1(1)	
4	0096803	↔	E-04 01 2	10 Screw
5	33117127	↔	E-04 01 3	10 Washer

- ! This is a component of an assembly
- ↔ See page - reference number
- ➡ Not serviced, order
- Replacement

Engine

Mc Power4 Tier 3 (2008-2009) - RPB1 - 130

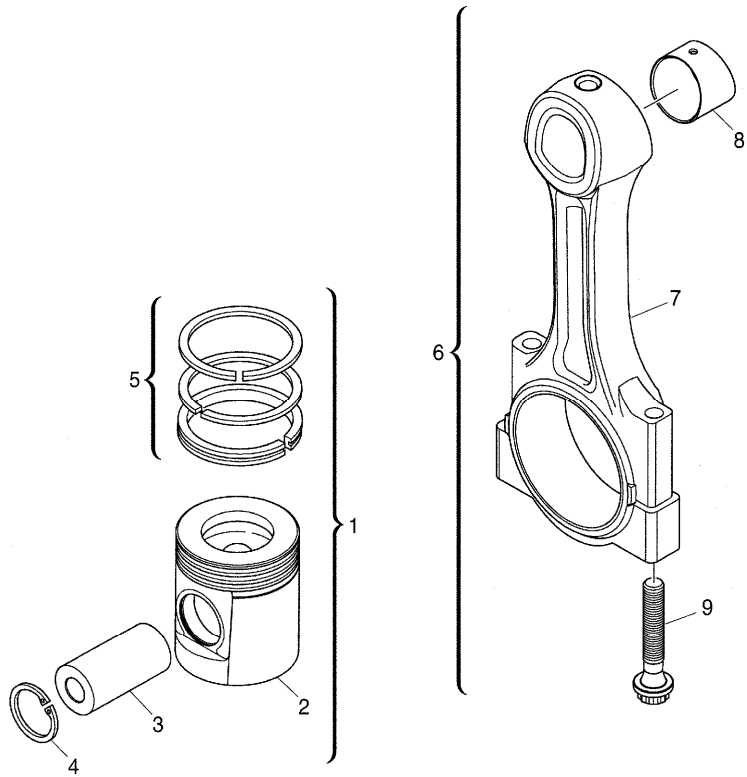
RPB1\000020562.png

A-05  
05



A0505

Pistons and connecting rods



		Inglese
1	U5PR0060	4 Kit
2	! 1	1 Piston
	➡ Ref.n.1	
3	! 1	1 Piston
	➡ Ref.n.1	
4	2721332 ! 1	2 Ring
5	UPRK0005 ! 1	1 Kit
6	4115C311 ➡ U056074t	4 Kit
	A	
	T-A 14:0	
6	4115C312 ➡ U056074t	4 Kit
	B	
	T-A 14:0	
6	4115C313 ➡ U056074t	4 Kit
	C	
	T-A 14:0	
6	4115C314 ➡ U056074t	4 Kit
	D	
	T-A 14:0	
6	4115C315 ➡ U056074t	4 Kit
	E	
	T-A 14:0	
6	4115C316 ➡ U056074t	4 Kit
	F	
	T-A 14:0	

Engine

Mc Power4 Tier 3 (2008-2009) - RPB1 - 130

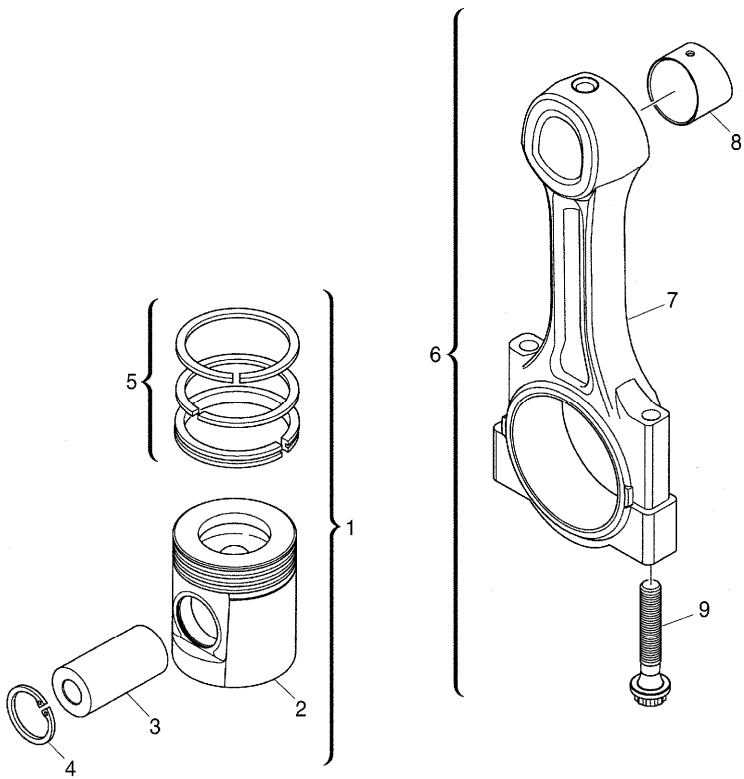
RPB1\000020562.png

**A-05**  
**05**



A0505

Pistons and connecting rods



			Inglese
6	4115C361	➡ U056075t	4 Conrod
		A	
6	4115C362	➡ U056075t	4 Conrod
		B	
6	4115C363	➡ U056075t	4 Conrod
		C	
6	4115C364	➡ U056075t	4 Conrod
		D	
6	4115C365	➡ U056075t	4 Conrod
		E	
6	4115C366	➡ U056075t	4 Conrod
		F	
7	!	6	1 Conrod
		➡ Ref.n.6	
8	3112A005	!	6
		T-A 14:0	
9	3212V003	!	6
		➡ U056074 t	
9	T400001	!	6
		➡ U056075 t	

- ! This is a component of an assembly
- ➡ From serial or engine number
- ➡ Up to serial or engine number
- ➡ Not serviced, order
- T-A Replacement
- A Red
- B Orange

Engine

Mc Power4 Tier 3 (2008-2009) - RPB1 - 130

RPB1\000020562.png

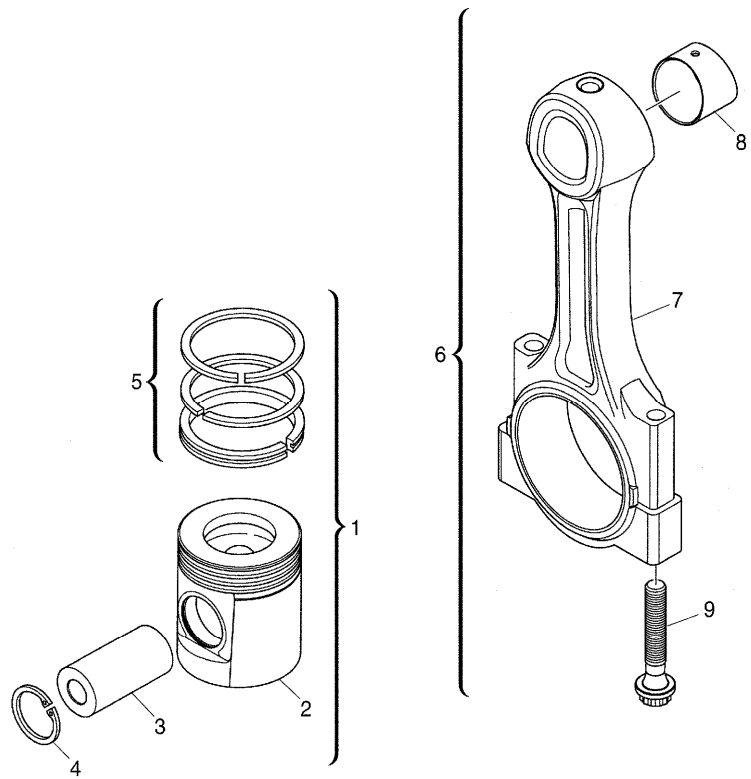
A-05  
05



A0505

Pistons and connecting rods

- C White
- D Green
- E Purple
- F Blue





Engine

Mc Power4 Tier 3 (2008-2009) - RPB1 - 130

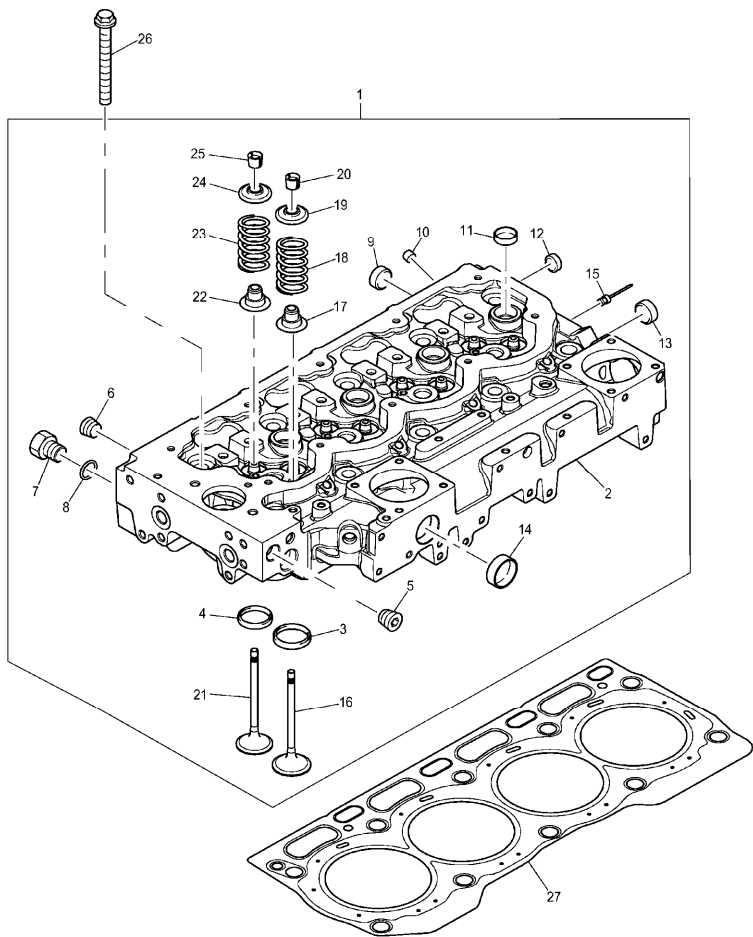
RPB1\00006974.png

A-05  
06



A0506

Cylinder head



- 23 3174A028 ! 1
- 24 3311A025 ! 1
- 25 3142W005 ! 1
- 26 3218A011
- 27 3681E074

! This is a component of an assembly  
 Not serviced, order

Inglese

- 8 Spring
- 8 Coperch.
- 16 Collet
- 10 Screw
- 1 Gasket

Engine

Mc Power4 Tier 3 (2008-2009) - RPB1 - 130

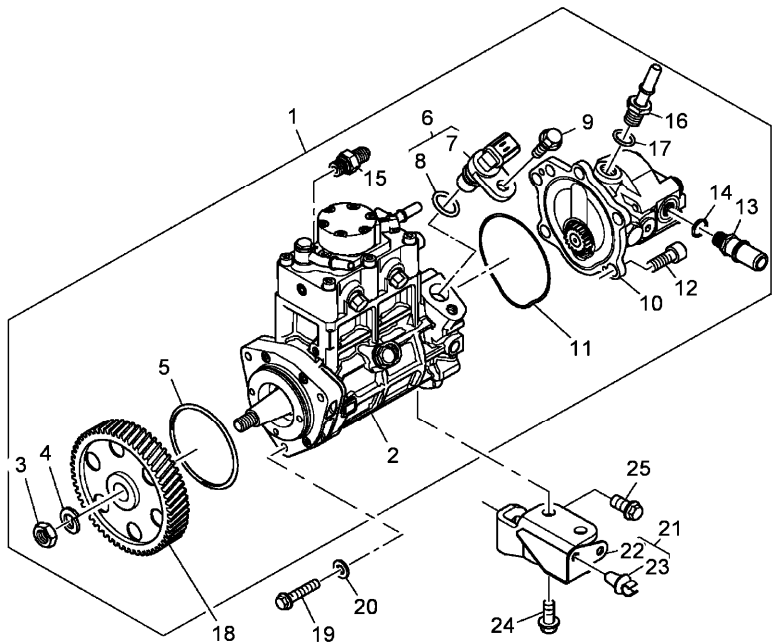
RPB1\00006979.png

A-05  
07



A0507

Injection pump assy



26  
ANTI CONTAMINATION KIT  
KIT DE PROTECTION  
SCHUTZSATZ  
KIT PROTEZIONE  
EQUIPO DE PROTECCION

		Inglese	
-	➔ U001673p		
1	2641A405		1 Pump
2	!	1	1 Pump
3	2318A108	!	1 Nut
4	K134AF01	!	1 Washer
5	2415H531	!	1 O ring
6	U5MK1086	!	1 Sensor
	A		
7	!	6	1 Sensor
	➔ Ref.n.6		
8	2415H524	!	1 Gasket
9	2314H002	!	1 Screw
10	2641A307	!	1 Lift
	● T400392(1)		
11	2415H528	!	1 Ring
12	2311D060	!	5 Screw
13	3355A028	!	1 Connection
14	2415H221	!	1 Ring
15	2441A601	!	1 Connection
16	3355A038		1 Connection
17	2415H221	!	1 Ring
18	3117L261		1 Pinion
19	2314H004		3 Screw
20	2411D008		3 Washer
21	4141A188		1 Stirrup

Engine

Mc Power4 Tier 3 (2008-2009) - RPB1 - 130

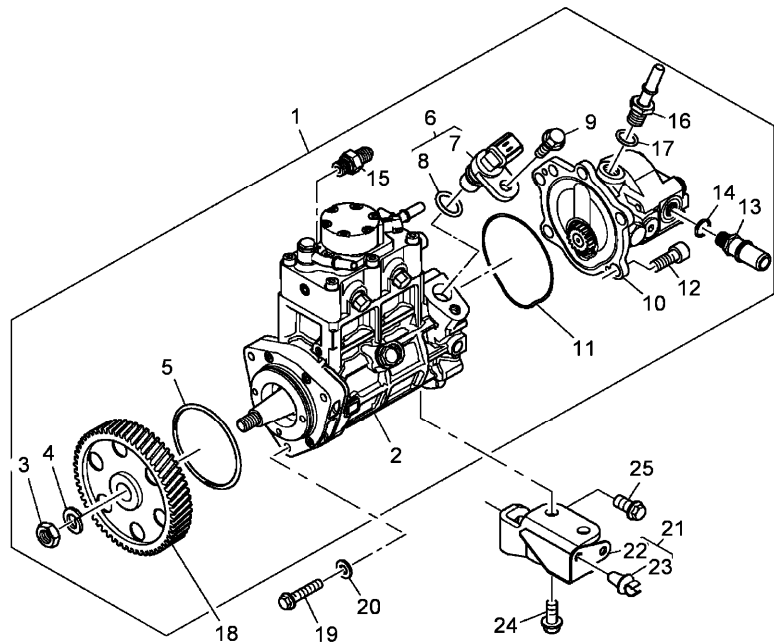
A-05  
07



A0507

Injection pump assy

RPB1\00006979.png



26  
ANTI CONTAMINATION KIT  
KIT DE PROTECTION  
SCHUTZSATZ  
KIT PROTEZIONE  
EQUIPO DE PROTECCION

Inglese

- 22 ! 21 1 Stirrup
- ! Ref.n.21
- 23 2481D558 ! 21 2 Clip
- 24 2314H002 2 Screw
- 25 2314J002 1 Screw
- 26 U5MK1124 1 Kit
- ! This is a component of an assembly
- From serial or engine number
- Not serviced, order
- Replacement
- A Speed

Engine

Mc Power4 Tier 3 (2008-2009) - RPB1 - 130

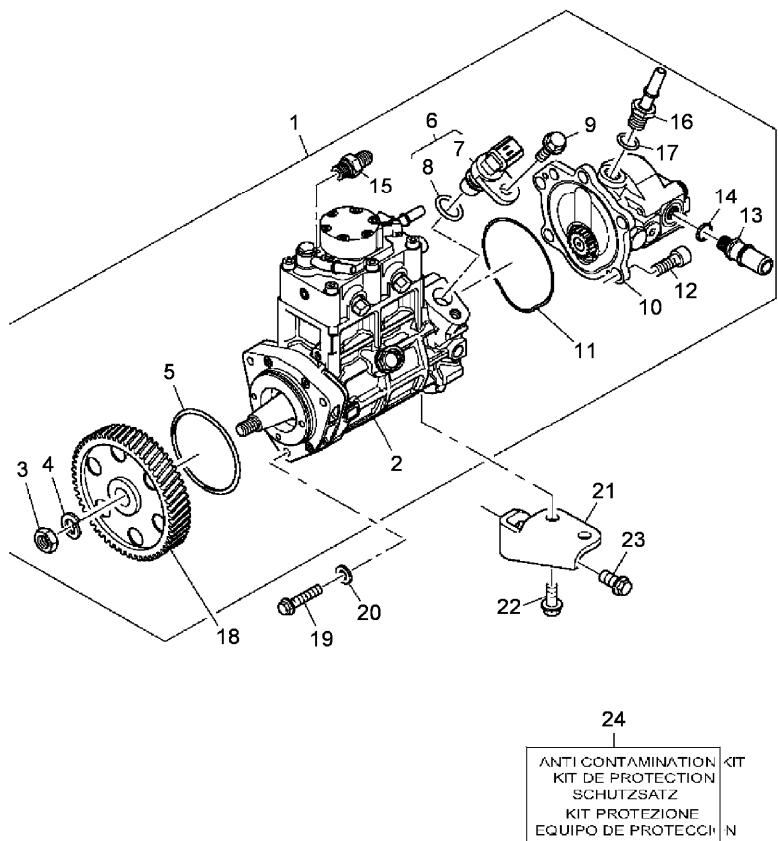
**A-05  
075**



A05075

Injection pump assy

RPB1\00008783.png



24  
ANTI CONTAMINATION KIT  
KIT DE PROTECTION  
SCHUTZSATZ  
KIT PROTEZIONE  
EQUIPO DE PROTECCION

Inglese

-	➔	U001672p	
1		2641A405	1 Pump
2	!		1 Pump
3	!	2318A108	1 Nut
4	!	K134AF01	1 Washer
5	!	2415H531	1 O ring
6	!	U5MK1086	1 Sensor
	A		
7	!		1 Sensor
	➔	Ref.n.6	
8	!	2415H524	1 Gasket
9	!	2314H002	1 Screw
10	!	2641A307	1 Lift
	●	T400392(1)	
11	!	2415H528	1 Ring
12	!	2311D060	5 Screw
13	!	3355A028	1 Connection
14	!	2415H221	1 Ring
15	!	2441A601	1 Connection
16		3355A038	1 Connection
17	!	2415H221	1 Ring
18		3117L261	1 Pinion
19		2314H004	3 Screw
20		2411D008	3 Washer
21		3656A026	1 Stirrup

Engine

Mc Power4 Tier 3 (2008-2009) - RPB1 - 130

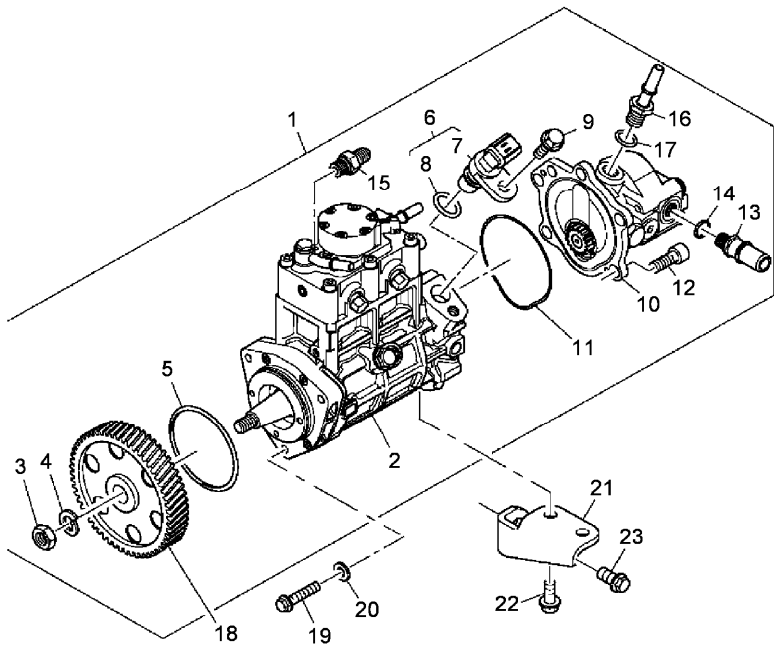
RPB1\00008783.png

A-05  
075



A05075

Injection pump assy



24  
ANTI CONTAMINATION KIT  
KIT DE PROTECTION  
SCHUTZSATZ  
KIT PROTEZIONE  
EQUIPO DE PROTECCION

22 2314H002

23 2314J002

24 U5MK1124

! This is a component of an assembly

➔ Up to serial or engine number

📄 Not serviced, order

● Replacement

A Speed

Inglese

2 Screw

1 Screw

1 Kit

Engine

Mc Power4 Tier 3 (2008-2009) - RPB1 - 130

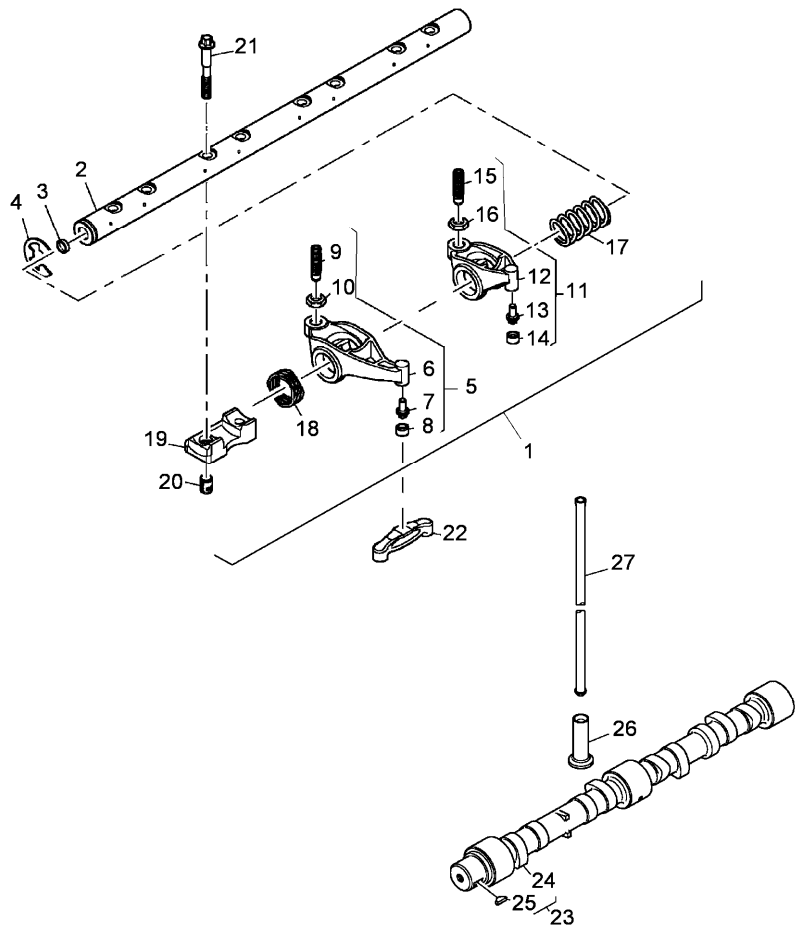
RPB1\00006975.png

A-05  
08



A0508

Rocker shaft



			Inglese
1	4115R819		1 Rocker
2		! 1	1 Shaft
		➡ Ref.n.1	
3	2485A105	! 1	2 Plug
4	2727A015	! 1	1 Ring
5	4115R317	! 1	4 Rocker
6		! 5	1 Rocker
		➡ Ref.n.5	
7		! 5	1 Insert
		➡ Ref.n.5	
8		! 5	1 Pad
		➡ Ref.n.5	
9	3211C004	! 5	1 Screw
10	3331A004	! 5	1 Nut
11	4115R316	! 1	4 Rocker
12		! 11	1 Rocker
		➡ Ref.n.11	
13		! 11	1 Insert
		➡ Ref.n.11	
14		! 11	1 Pad
		➡ Ref.n.11	
15	3211C004	! 11	1 Screw
16	3331A004	! 11	1 Nut
17	3174A023	! 1	3 Spring
18	3174A024	! 1	1 Spring

Engine

Mc Power4 Tier 3 (2008-2009) - RPB1 - 130

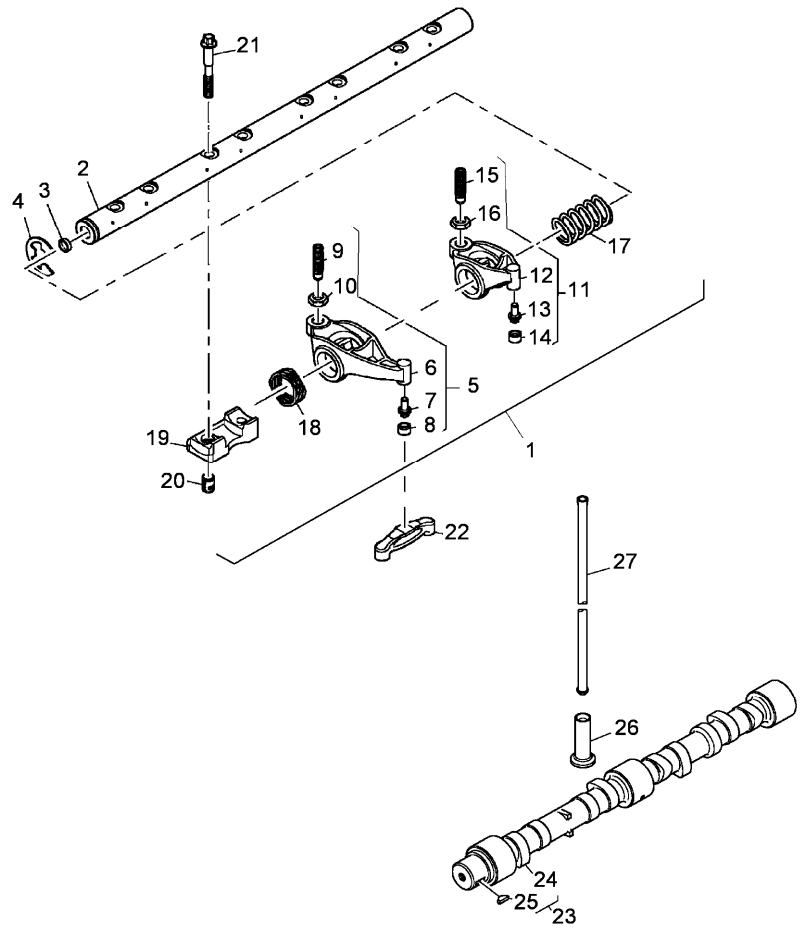
RPB1\00006975.png

A-05  
08



A0508

Rocker shaft



- 19 3818X161 ! 1
- 20 3241A024 ! 1
- 21 3218A201 ! 1
- 22 4116A002
- 23 4112K026
- 24 ! 23
- 25 0500012 ! 23
- 26 3142U061
- 27 3142V011

Inglese

- 4 Pedestal
- 4 Retainer
- 8 Screw
- 8 Stirrup
- 1 Shaft
- 1 Shaft
- 1 Key
- 8 Tappet
- 8 Rod

! This is a component of an assembly  
 Not serviced, order

Engine

Mc Power4 Tier 3 (2008-2009) - RPB1 - 130

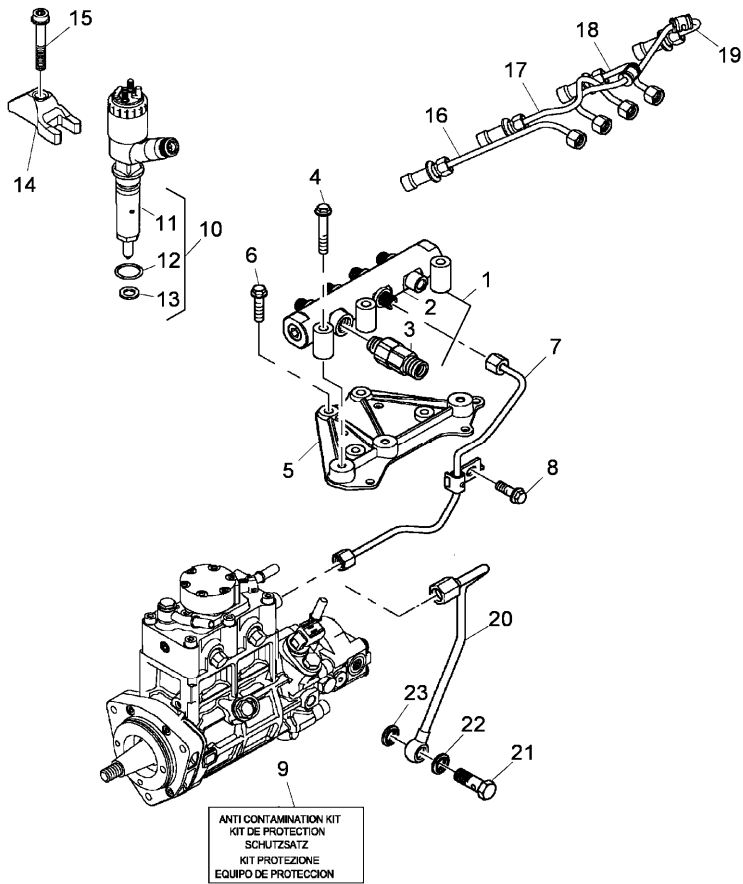
RPB1\00006980.png

A-05  
09



A0509

Fuel injection equipment (diesel)



		Inglese
1	3774A413	● 3774A415(1) 1 Manifold
2		! 1 1 Manifold
		➡ Ref.n.1
3	2658A301	! 1 1 Valve
		● T417873(1)
4	2314H010	3 Screw
5	3812A351	1 Stirrup
6	2314H006	4 Screw
7	3525A217	1 Pipe
8	2314H002	1 Screw
9	U5MK1124	1 Kit
10	2645A747	4 Nozzle
11		! 10 1 Nozzle
		➡ Ref.n.10
12	2415H014	! 10 1 Ring
13	2415D154	! 10 1 Washer
		➡ Ref.n.10
14	3751A331	4 Clamp
15	3218A016	4 Screw
16	3525A211	1 Pipe
17	3525A212	1 Pipe
18	3525A222	1 Pipe
19	3525A223	1 Pipe
20	3552A039	1 Pipe
21	3218R044	1 Bolt



**Suggest:**

**For more complete manuals. Please go to the home page.**

**<https://www.ebooklibonline.com>**

**If the above button click is invalid. Please download this document first, and then click the above link to download the complete manual.**

**Thank you so much for reading**

Engine

Mc Power4 Tier 3 (2008-2009) - RPB1 - 130

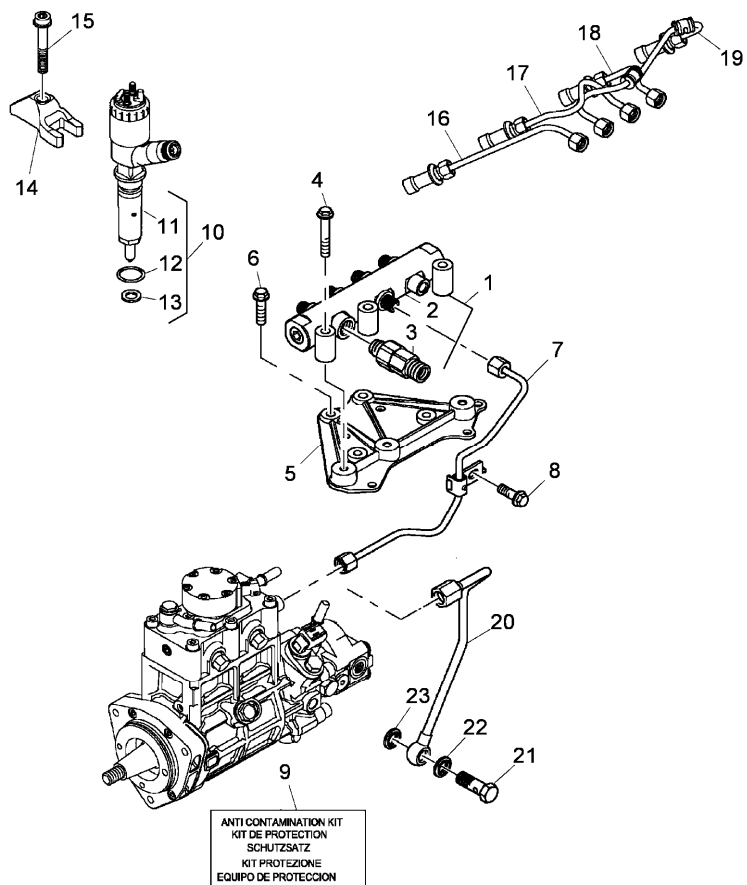
A-05  
09



A0509

Fuel injection equipment (diesel)

RPB1\00006980.png



22 2415D002

23 2415D002

! This is a component of an assembly

▣ Not serviced, order

● Replacement

Inglese

1 Washer

1 Washer

Engine

Mc Power4 Tier 3 (2008-2009) - RPB1 - 130

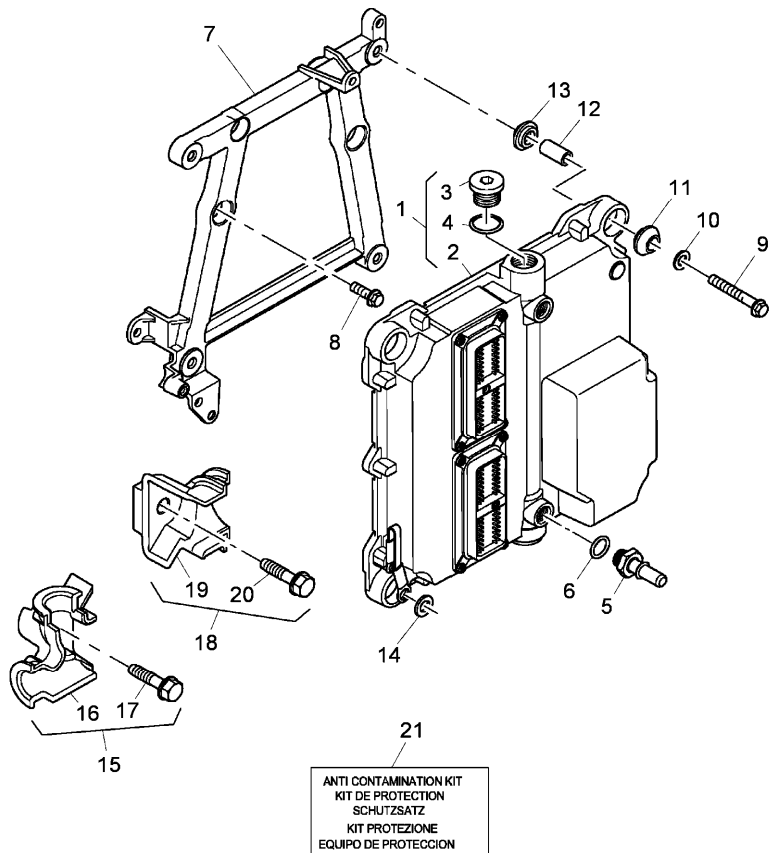
RPB1\00006981.png

**A-05  
095**



A05095

Engine control module



- 1 28170119
- 2
- 3
- 4 2415H015
- 5 3355A021
- 6 2415H011
- 7 3812A051
- 8 2314H033
- 9 2314H039
- 10 3311A015
- 11 2634C501
- 12 3313A027
- 13 2634C501
- 14 2131A008
- 15 4175A005
- 16
- 17 2314E949
- 18 4175A006
- 19
- 20 2314E949
- 21 U5MK1124

- N.L.S.(1)
- ! 1
- ➡ Ref.n.1
- ! 1
- ➡ Ref.n.1
- ! 1
- ! 1
- ! 1
- ! 1
- ! 1
- ! 1
- ! 1
- ! 1
- ! 1
- ! 1
- ! 15
- ➡ Ref.n.15
- ! 15
- ! 18
- ➡ Ref.n.18
- ! 18

**Inglese**

- 1 Electr.contr.unit
- 1 Electronic unit control
- 2 Plug
- 2 Ring
- 2 Connection
- 2 Ring
- 1 Stirrup
- 4 Screw
- 4 Screw
- 5 Washer
- 4 Support
- 4 Spacer
- 4 Support
- 1 Washer
- 1 Clip
- 1 Stop
- 1 Screw
- 1 Clip
- 1 Stop
- 1 Screw
- 1 Kit

**<https://www.ebooklibonline.com>**

Hello dear friend!

Thank you very much for reading.

Enter the link into your browser.

The full manual is available for immediate download.

**<https://www.ebooklibonline.com>**