

Engine

Mc Power4 Tier 3 (2008-2009) - RPB1 - 115

RPB1\00005987.PNG

A-05  
01



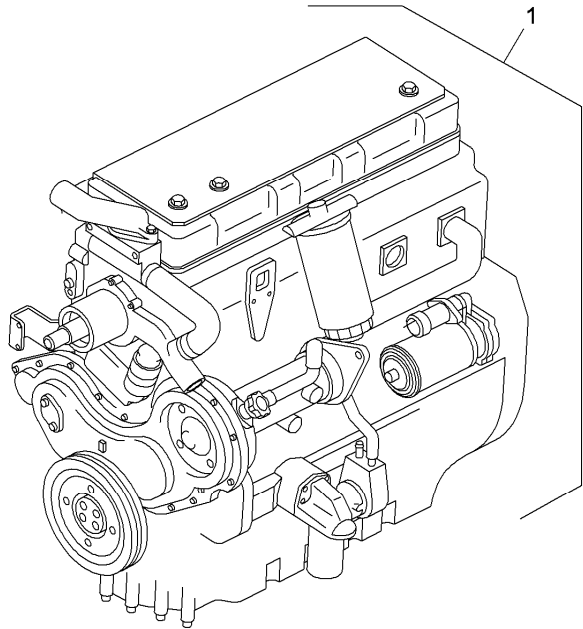
A0501

Engine assembly

1 716279A1

Inglese

1 Engine



Engine

Mc Power4 Tier 3 (2008-2009) - RPB1 - 115

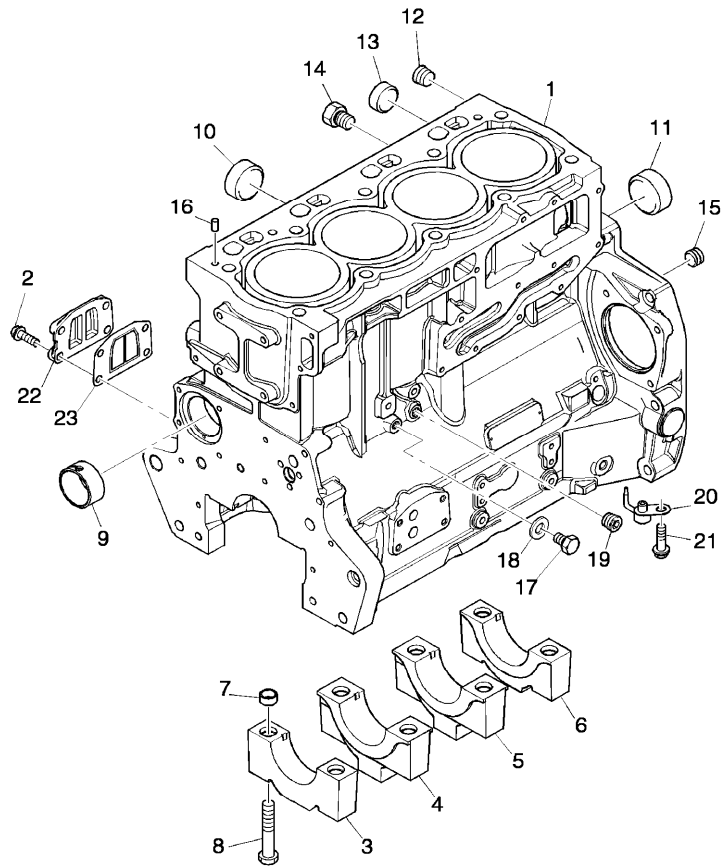
RPB1\000022252.png

**A-05  
02**



A0502

Cylinders block



		Inglese
1	☞ A-05 01 1	1 Engine
2	2314H034	4 Screw
3	! 1 ➡ Ref.n.1	1 Bearing cup
4	! 1 ➡ Ref.n.1	1 Bearing cup
5	! 1 ➡ Ref.n.1	1 Bearing cup
6	! 1 ➡ Ref.n.1	1 Bearing cup
7	33142111	10 Manicott
8	32166329	10 Screw
9	3112D071 ● 3112D075(1)	1 Bush
10	3241A011	2 Plug
11	3241A012	1 Plug
12	0650588	1 Plug
13	0650710	1 Plug
14	32141316	1 Plug
15	3212P008	1 Plug
16	3244A009	2 Dowel
17	2314C049	1 Screw
18	2415D053	1 Washer
19	0650594	1 Plug
20	2113A003	4 Atomiser
21	2314F001	4 Screw

Engine

Mc Power4 Tier 3 (2008-2009) - RPB1 - 115

RPB1\000022252.png

A-05  
02



A0502

Cylinders block

Inglese

22 3753A071

23 3688A041

! This is a component of an assembly

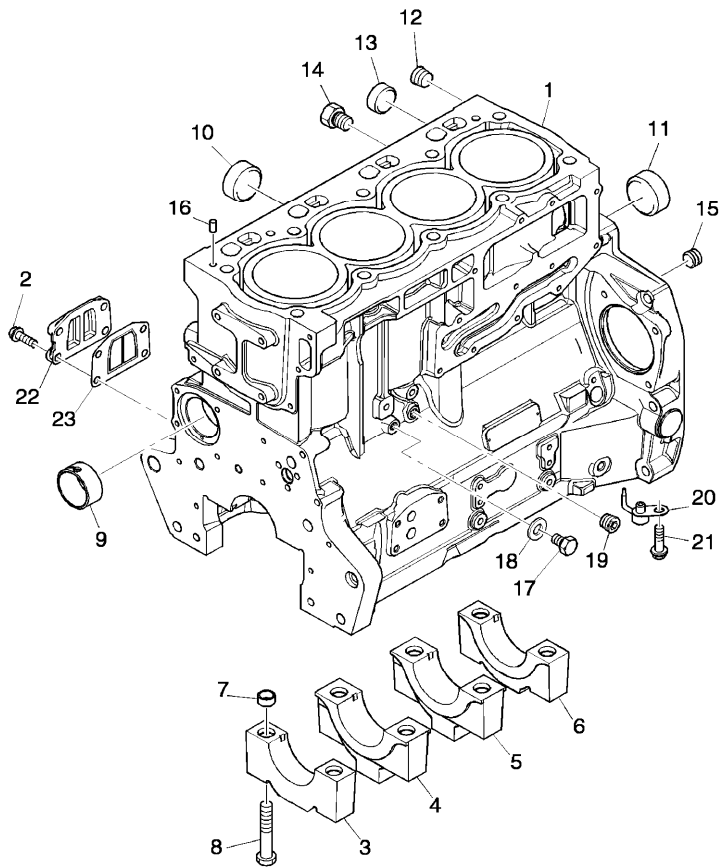
👁 See page - reference number

📄 Not serviced, order

● Replacement

1 Coperch.

1 Gasket



**<https://www.ebooklibonline.com>**

Hello dear friend!

Thank you very much for reading.

Enter the link into your browser.

The full manual is available for immediate download.

**<https://www.ebooklibonline.com>**

Engine

Mc Power4 Tier 3 (2008-2009) - RPB1 - 115

RPB1\000015074.png

A-05  
03



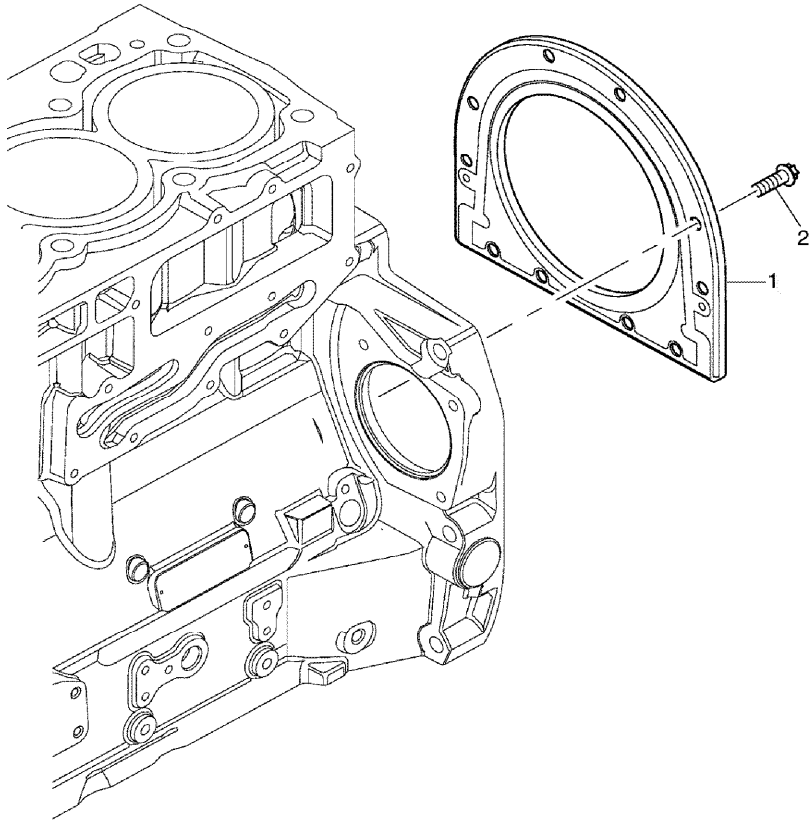
A0503

End cover

Inglese

- 1 2418F704
- 2 3211C002

- 1 Housing
- 10 Screw



Engine

Mc Power4 Tier 3 (2008-2009) - RPB1 - 115

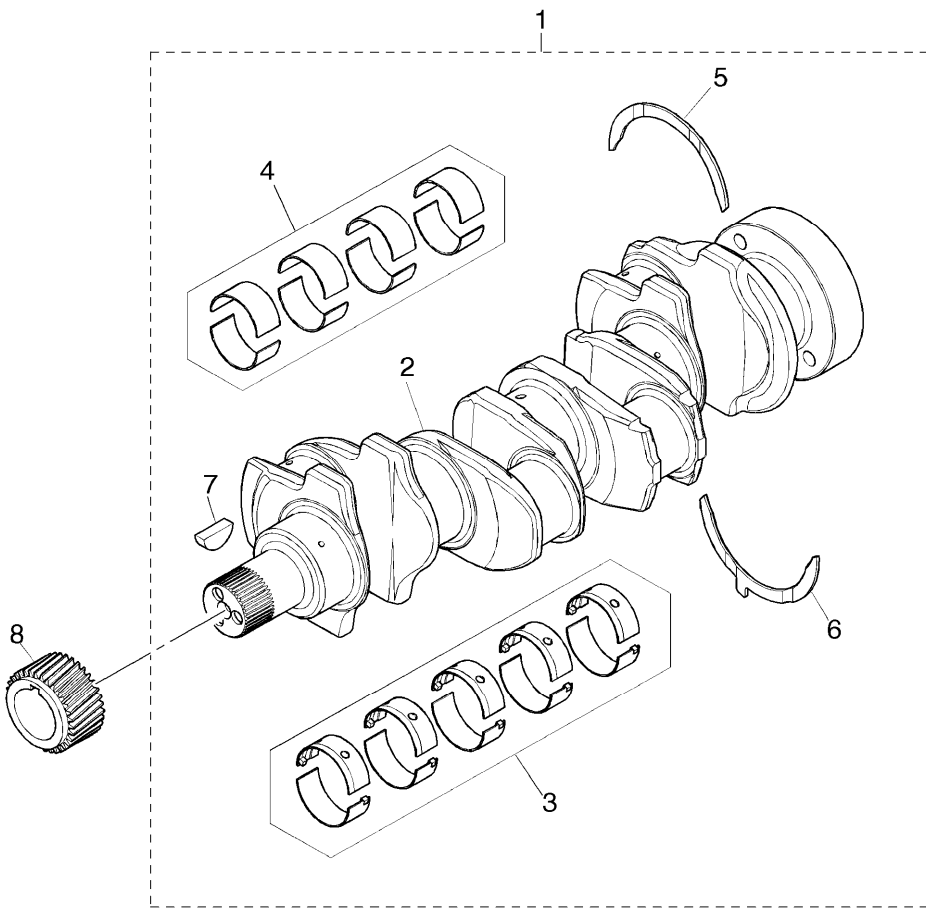
RPB1\000022253.png

A-05  
04



A0504

Crankshaft



		Inglese	
1	ZZ90222	➔ U491476 t	1 Kit
		● ZZ90239(1)	
1	ZZ90237	➔ U491477 t	1 Shaft
2		! 1	1 Crankshaft
		➔ Ref.n.1	
3	U5MB0018	! 1	1 Kit
		● U5MB0033(1)	
3	U5MB0018A	! 1	1 Kit
		⚡ 0.010 mm	
		● U5MB0033A(1)	
3	U5MB0018B	! 1	1 Kit
		⚡ 0.020 mm	
		● U5MB0033B(1)	
3	U5MB0018C	! 1	1 Kit
		⚡ 0.030 mm	
		● N.L.A.(1)	
4	T400002	! 1	1 Kit
		➔ U491477 t	
		● T410927(1)	
4	U5ME0026	! 1	1 Kit
		➔ U491476 t	
		● U5ME0034(1)	
4	U5ME0026A	! 1	1 Kit
		⚡ 0.25 mm	
		➔ U491476 t	
		● U5ME0034A(1)	

Engine

Mc Power4 Tier 3 (2008-2009) - RPB1 - 115

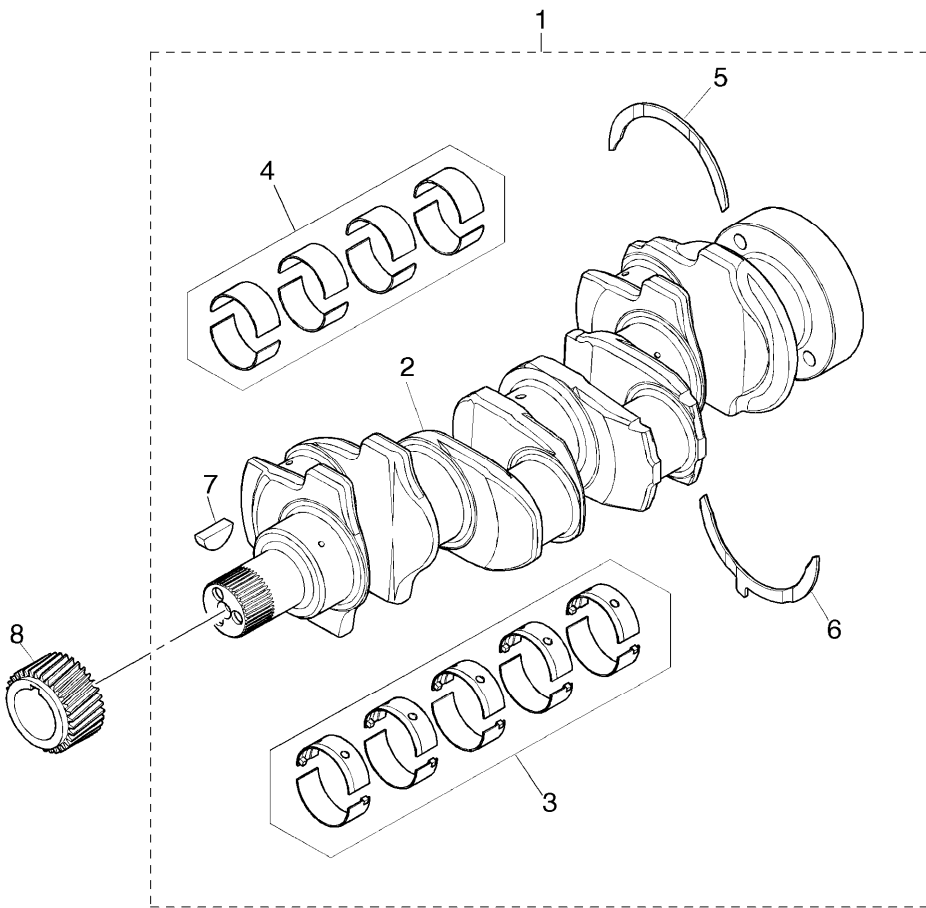
RPB1\000022253.png

A-05  
04



A0504

Crankshaft



		Inglese	
4	U5ME0026B	! 1	1 Kit
		⚡ 0.50 mm	
		➔ U491476 t	
		● U5ME0034B(1)	
4	U5ME0026C	! 1	1 Kit
		⚡ 0.75 mm	
		➔ U491476 t	
		● U5ME0034C(1)	
5	31137312	! 1	2 Ring
		⚡ 0.007 mm	
5	31137551	! 1	2 Washer
6	31137322	! 1	2 Ring
		⚡ 0.007 mm	
6	31137561	! 1	2 Washer
7	0500012	! 1	1 Key
8	3117C221	! 1	1 Gear
!	This is a component of an assembly		
➔	From serial or engine number		
➕	Up to serial or engine number		
⚙	Not serviced, order		
⚡	Shim		
●	Replacement		

Engine

Mc Power4 Tier 3 (2008-2009) - RPB1 - 115

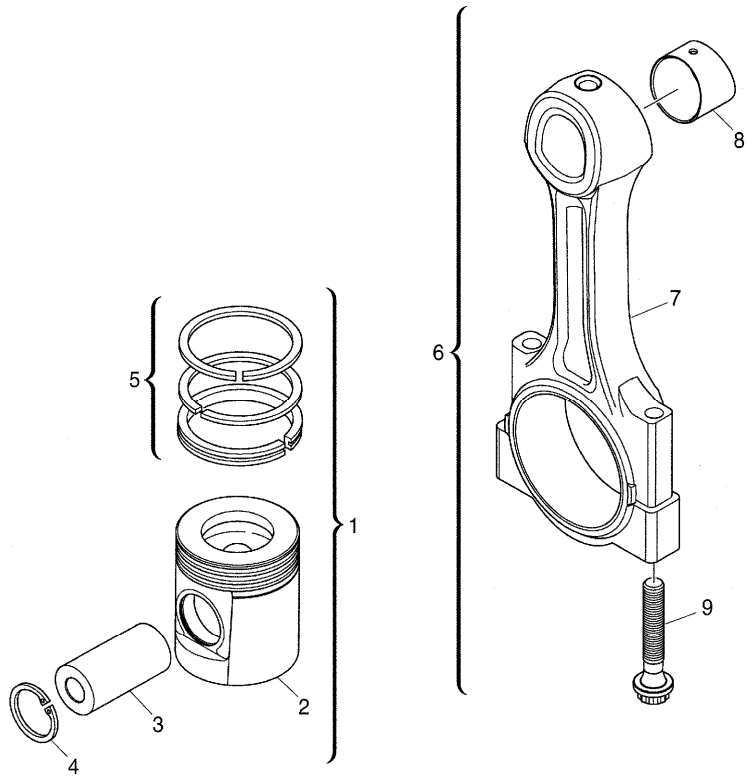
RPB1\000020562.png

A-05  
05



A0505

Pistons and connecting rods



			Inglese
1	U5PR0062	Std	4 Kit
1	U5PR0062B	+0,5 mm	4 Kit
2		! 1	1 Piston
		➡ Ref.n.1	
3		! 1	1 Piston
		➡ Ref.n.1	
4	2721332	! 1	2 Ring
5	UPRK0005	! 1	1 Kit
6	4115C311	➡ U491477 t	4 Kit
		A	
		T-A 14:0	
6	4115C312	➡ U491477 t	4 Kit
		B	
		T-A 14:0	
6	4115C313	➡ U491477 t	4 Kit
		C	
		T-A 14:0	
6	4115C314	➡ U491477 t	4 Kit
		D	
		T-A 14:0	
6	4115C315	➡ U491477 t	4 Kit
		E	
		T-A 14:0	
6	4115C316	➡ U491477 t	4 Kit
		F	
		T-A 14:0	

Engine

Mc Power4 Tier 3 (2008-2009) - RPB1 - 115

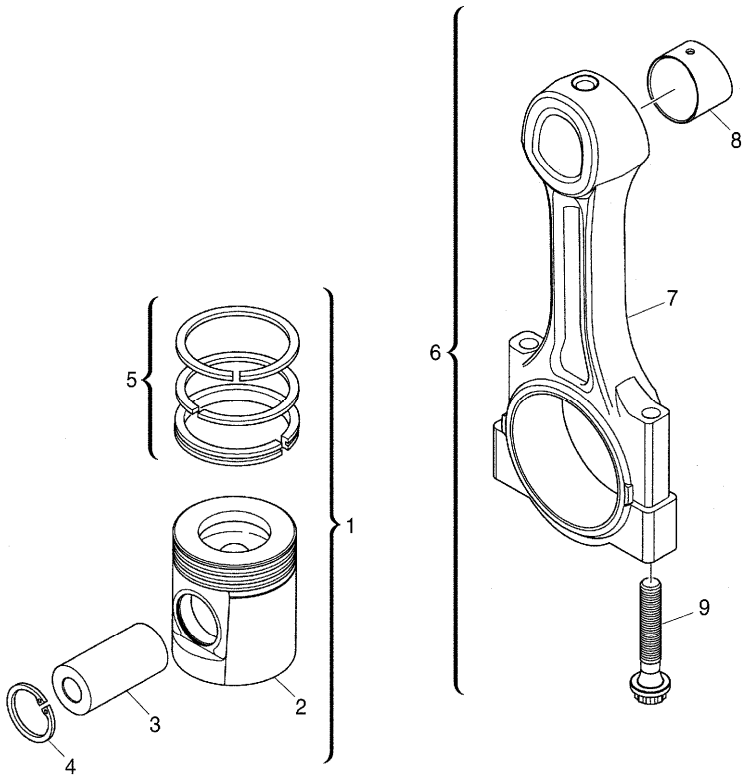
RPB1\000020562.png

A-05  
05



A0505

Pistons and connecting rods



			Inglese
6	4115C361	➡ U491478 t	4 Conrod
		A	
6	4115C362	➡ U491478 t	4 Conrod
		B	
6	4115C363	➡ U491478 t	4 Conrod
		C	
6	4115C364	➡ U491478 t	4 Conrod
		D	
6	4115C365	➡ U491478 t	4 Conrod
		E	
6	4115C366	➡ U491478 t	4 Conrod
		F	
7		! 6	1 Conrod
		➡ Ref.n.6	
8	3112A005	! 6	1 Bush
		T-A 14:0	
9	3212V003	! 6	2 Screw
!	This is a component of an assembly		
➡	From serial or engine number		
➡	Up to serial or engine number		
➡	Not serviced, order		
T-A	Replacement		
A	Red		
B	Orange		
C	White		
D	Green		
E	Purple		
F	Blue		

Engine

Mc Power4 Tier 3 (2008-2009) - RPB1 - 115

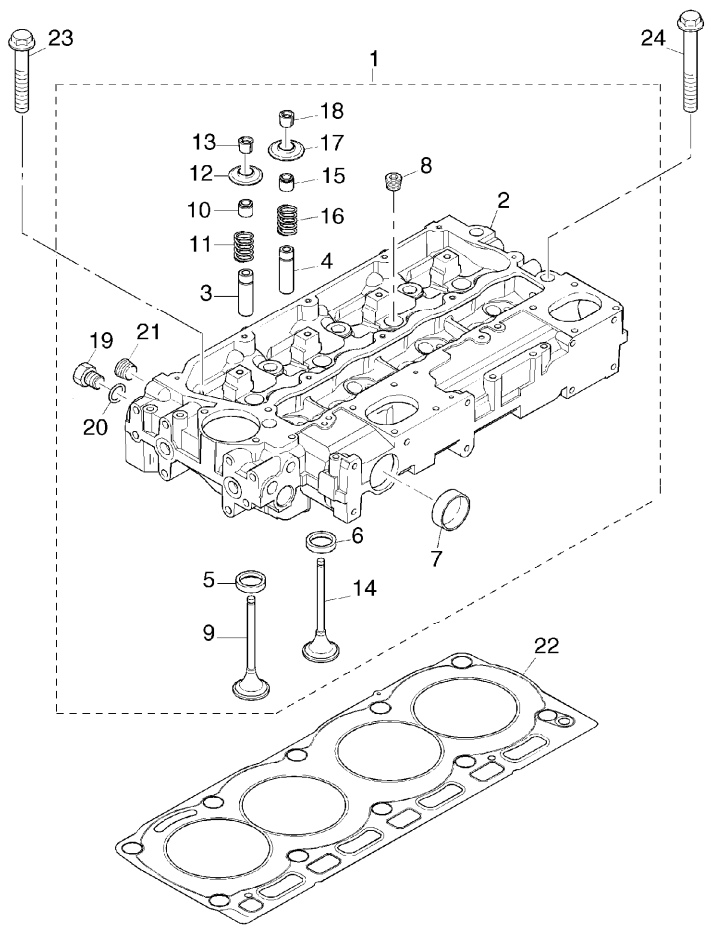
RPB1\000022254.png

A-05  
06



A0506

Cylinder head



1 ZZ80279

2

3 3313A012

4 3313A012

5 3314A221

6 3314A231

7 32416117

8 0650588

9 3142H101

10 2418M519

11 3174A031

12 3342A021

13 2714A002

14 3142A171

15 2418M517

16 3174A031

17 3342A021

18 2714A002

19 3278A006

20 2415H003

!

!



Ref.n.1

!

!

!

!

!

!

!

!

A

!

●

!

!

!

!

B

!

●

!

!

!

!

1

1

1

1

1

1

1

1

1

1

1

1

4

1

1

1

1

1

1

1

1

1

1

1

Inglese

1 Cylinder head

1 Cylinder head

4 Insert

4 Insert

4 Insert

4 Insert

2 Plug

4 Plug

4 Valve

4 Ring

4 Spring

4 Coperch.

8 Collar

4 Valve

4 Ring

4 Spring

4 Coperch.

8 Collar

1 Plug

1 Ring

Engine

Mc Power4 Tier 3 (2008-2009) - RPB1 - 115

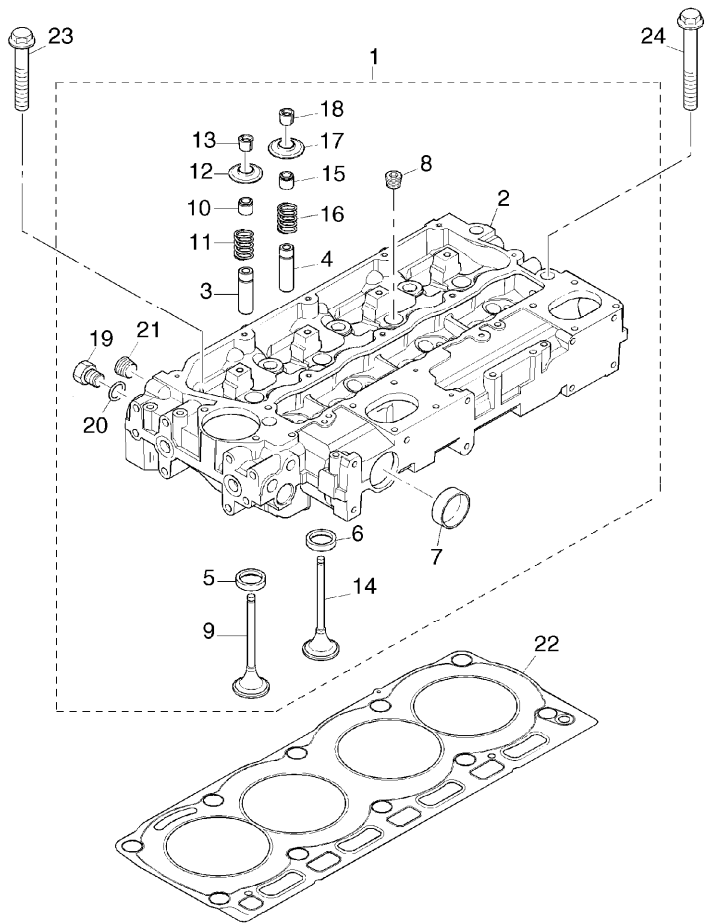
RPB1\000022254.png

A-05  
06



A0506

Cylinder head



21 2431154 ! 1

22 3681E051

23 3218A011

24 3218A012

! This is a component of an assembly

🔧 Not serviced, order

🔩 Replacement

A Green

B Brown

Inglese

2 Plug

1 Gasket

7 Screw

3 Screw

Engine

Mc Power4 Tier 3 (2008-2009) - RPB1 - 115

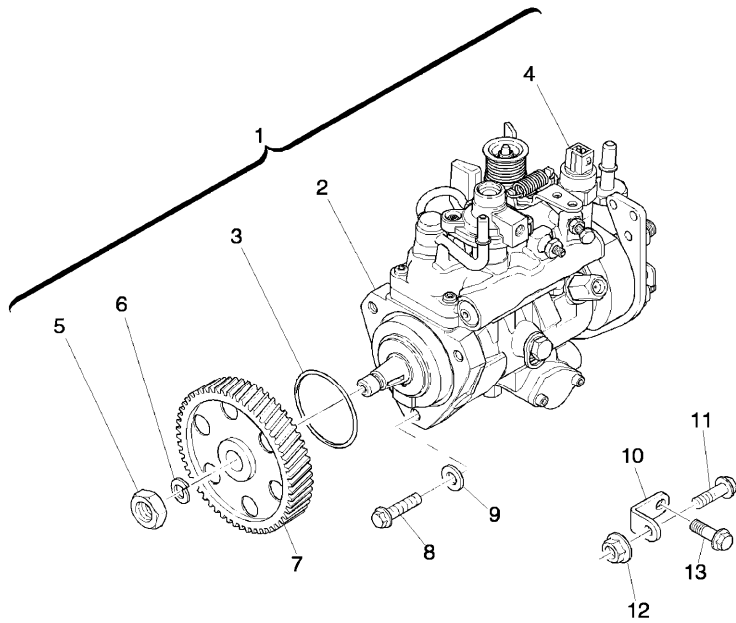
RPB1\000022255.png

A-05  
07



A0507

Injection pump assy



1	2644C311/22			
2		!	1	
		➡	Ref.n.1	
3	26420318	!	1	
4	26420469	!	1	
5	2318A108	!	1	
6	K134AF01	!	1	
7	3117L261			
8	2314H004			
9	2411D008			
10	3641A007			
11	2314H003			
12	2318A603			
13	2314J002			
!	This is a component of an assembly			
➡	Not serviced, order			

Inglese

1	Pump
1	Pump
1	Ring
1	Solenoid
1	Nut
1	Washer
1	Gear
3	Screw
3	Washer
1	Stirrup
1	Screw
1	Nut
1	Screw

Engine

Mc Power4 Tier 3 (2008-2009) - RPB1 - 115

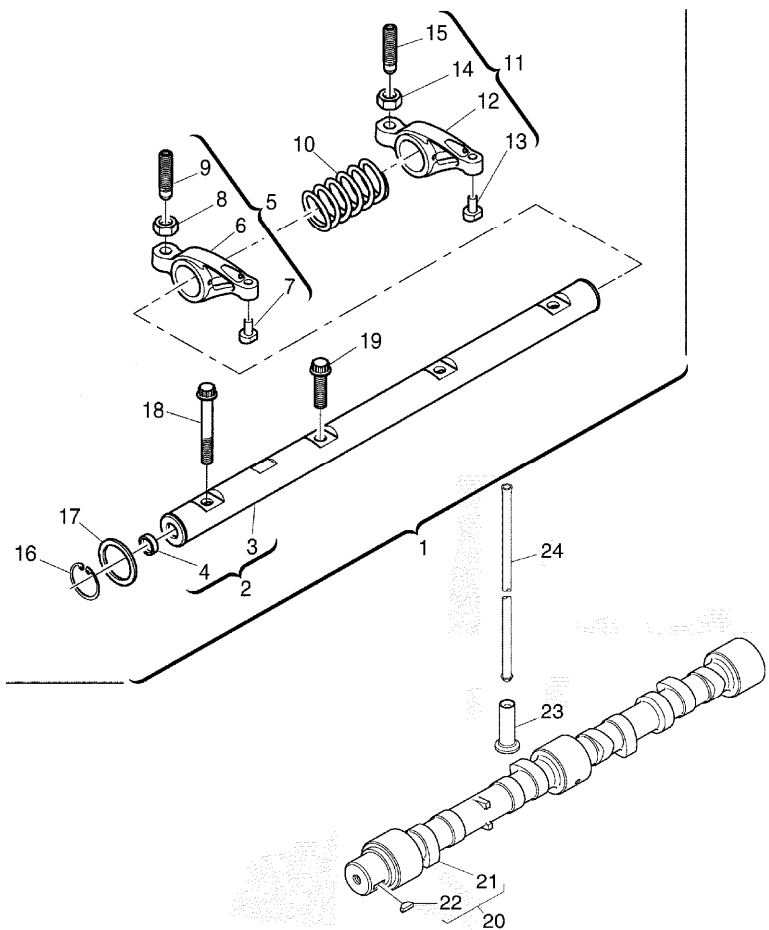
RPB1\000015075.png

A-05  
08



A0508

Rocker shaft



			Inglese
1	4115R613		1 Axle
2	4115R703	! 1	1 Shaft
3		! 2	1 Axe
4	2485A104	! 2	2 Plug
5	4115R319	! 1	4 Lever
6		! 5	1 Rocker
7		! 5	1 Pad
8	3331A006	! 5	1 Nut
9	3211C004	! 5	1 Screw
10	3174A015	! 1	3 Spring
11	4115R318	! 1	4 Lever
12		! 11	1 Rocker
13		! 11	1 Pad
14	3331A006	! 11	1 Nut
15	3211C004	! 11	1 Screw
16	2722A022	! 1	2 Ring
17	2134A502	! 1	2 Washer
18	2316A901	! 1	1 Screw
19	2316A902	! 1	3 Screw
20	4112K027		1 Shaft

Engine

Mc Power4 Tier 3 (2008-2009) - RPB1 - 115

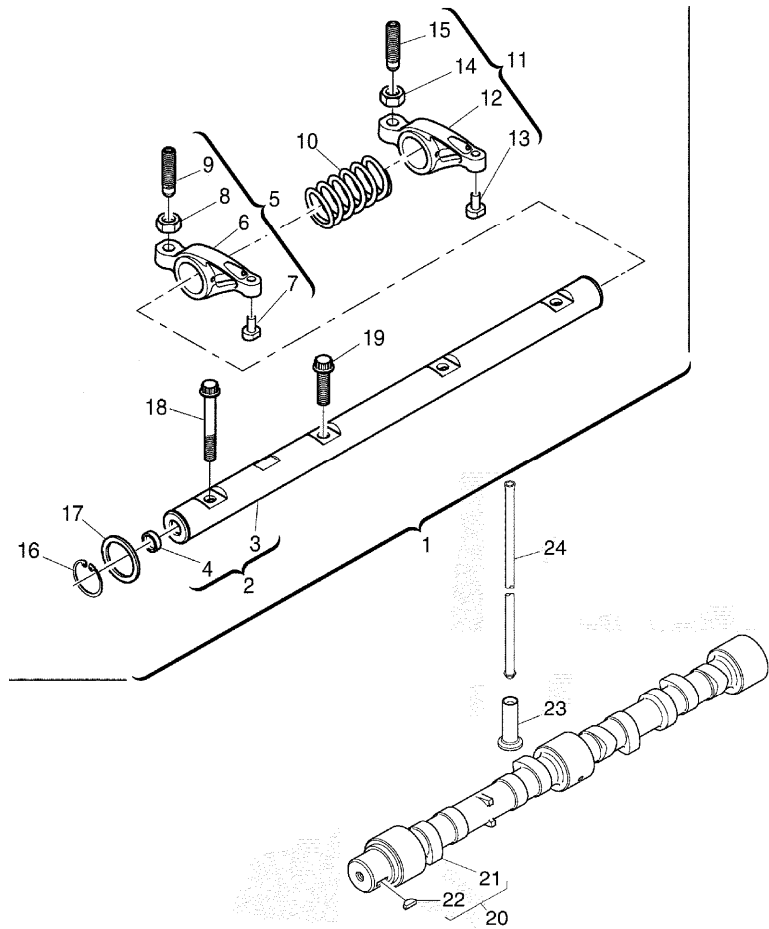
RPB1\000015075.png

A-05  
08



A0508

Rocker shaft



- 21 ! 20
- 22 0500012 ! 20
- 23 3142U061 ! 20
- 24 3142V011 ! 20
- ! This is a component of an assembly
- ▣ Not serviced, order

Inglese

- 1 Shaft
- 1 Key
- 8 Tappet
- 8 Rod

Engine

Mc Power4 Tier 3 (2008-2009) - RPB1 - 115

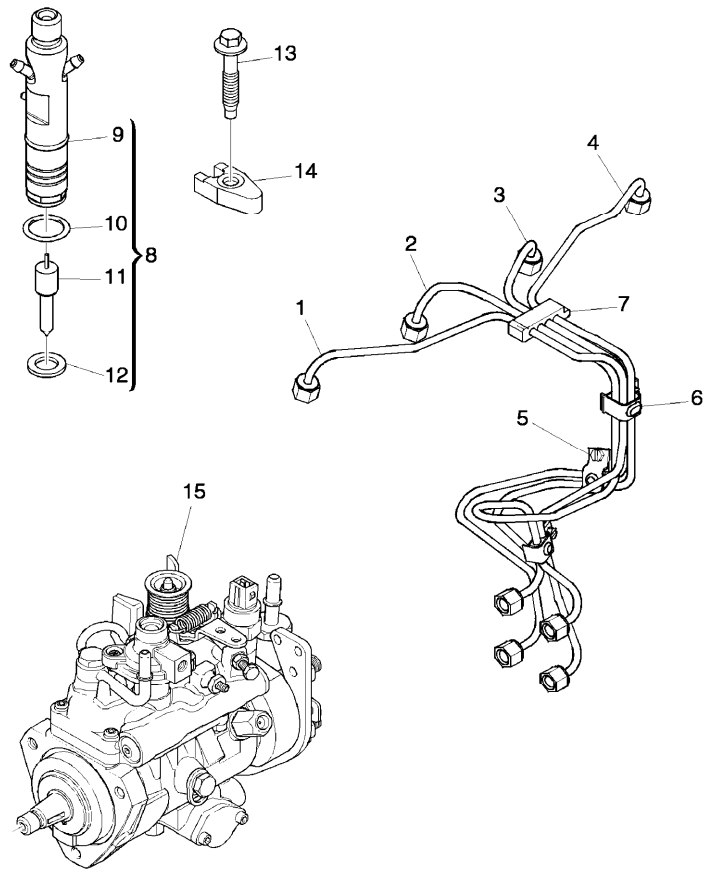
RPB1\000022256.png

**A-05  
09**



A0509

Fuel injection equipment (diesel)



		Inglese
1	3525A101	1 Pipe
2	3525A102	1 Pipe
3	3525A103	1 Pipe
4	3525A104	1 Pipe
5	2481Y011	2 Clip
6	2481Y012	1 Clip
7	2646E019	1 Clip
8	2645K026	4 Nozzle
9	!	8
	➡	Ref.n.8
10	26460064	!
		8
11	!	8
	➡	Ref.n.8
12	L311FF02	!
		8
13	2314W009	1 Washer
14	3751A241	4 Screw
15	⦿	A-05 07 1
		1 Injection pump

- ! This is a component of an assembly
- ⦿ See page - reference number
- ➡ Not serviced, order

Engine

Mc Power4 Tier 3 (2008-2009) - RPB1 - 115

RPB1\000020530.png

A-05  
10



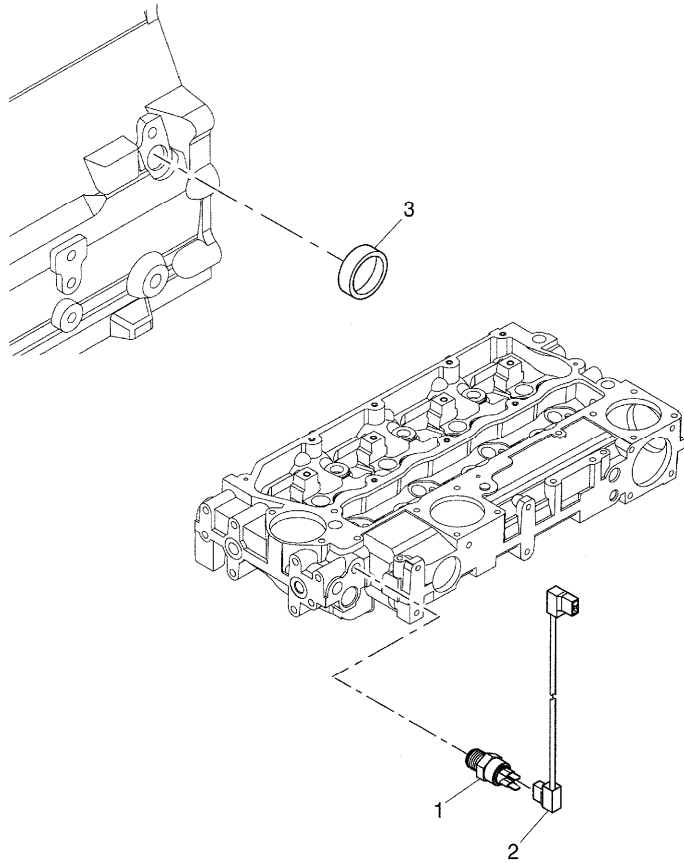
A0510

Sensor pickup

Inglese

- 1 2848A123
- 2 3161C017
- 3 2485A109

- 1 Sensor
- 1 Cable
- 1 Plug



Engine

Mc Power4 Tier 3 (2008-2009) - RPB1 - 115

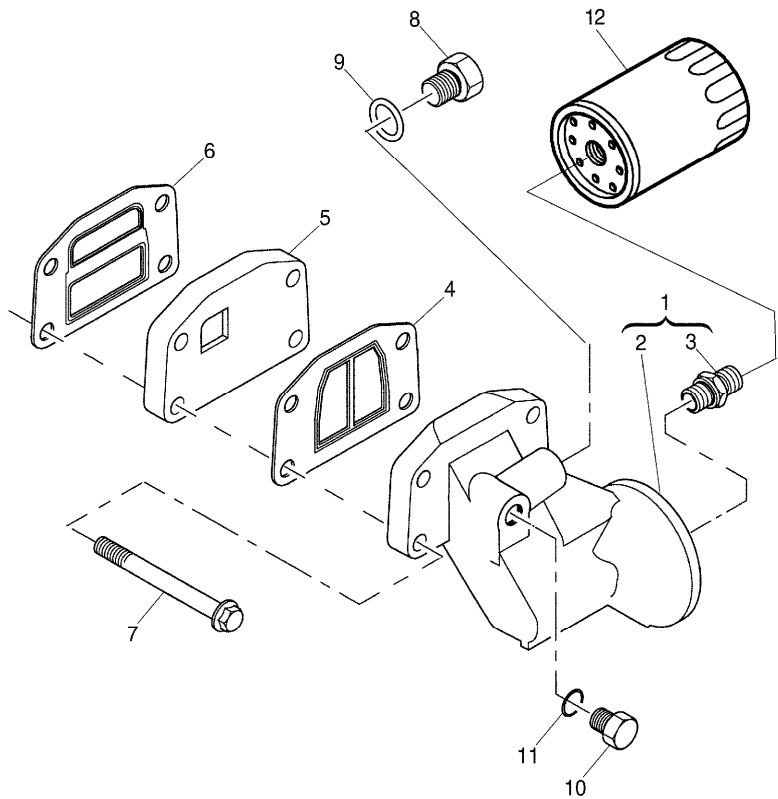
RPB1\000020539.png

**A-05  
11**



A0511

Lube oil filters



		Inglese
1	4134E057	● 3773A071(1) 1 Head
2		! 1 1 Head
3	33554128	➡ Ref.n.1 1 Union
4	3688A041	! 1 Gasket
5	3773A081	! 1 Adaptor
6	3688A039	! 1 Gasket
7	2314H038	! 4 Screw
8	3278A004	! 1 Plug
9	2415H002	! 1 Ring
10	3278A007	! 1 Plug
11	2415H009	! 1 O ring
12	701899A1	! 1 Oil filter

- ! This is a component of an assembly
- ➡ Not serviced, order
- Replacement

Engine

Mc Power4 Tier 3 (2008-2009) - RPB1 - 115

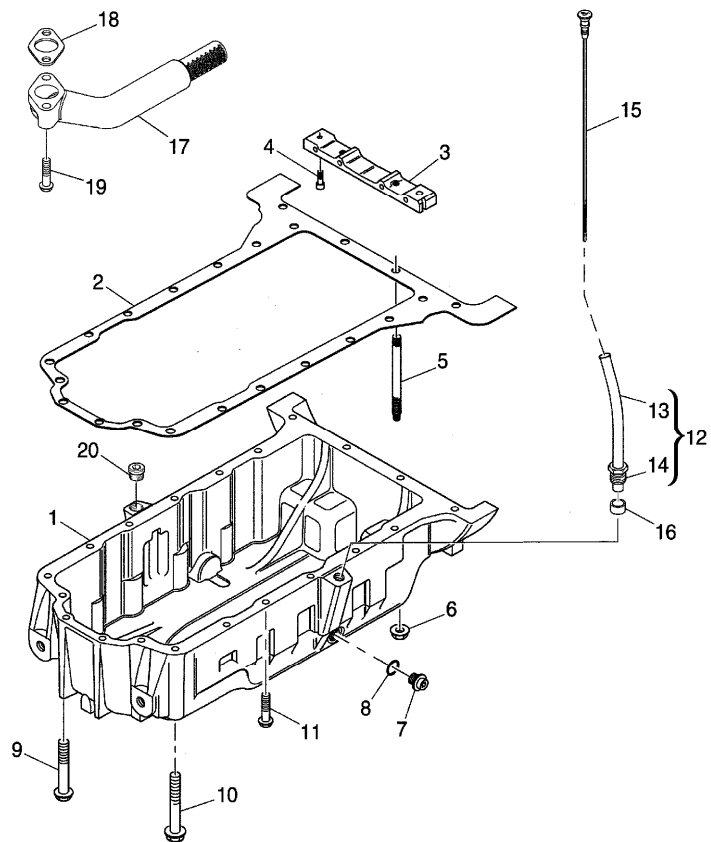
RPB1\000014129.png

A-05  
12



A0512

Oil sump



- 1 3717E261
  - 2 3681K036
  - 3 3627P041
  - 4 2311D039
  - 5 3211P013
  - 6 2318A603
  - 7 32186405
  - 8 2415715
  - 9 2314H023
  - 10 2314H022
  - 11 2314H015
  - 12 3577A125
  - 13
  - 14 3353D005
  - 15 3178C088
  - 16 33812116
  - 17 3765A111
  - 18 36832137
  - 19 2314H006
  - 20 2431A016
- ! This is a component of an assembly
- ➡ Not serviced, order
- Replacement

● 2314H052(1)

➡ Ref.n.12

! 12

! 12

Inglese

- 1 Sump
- 1 Gasket
- 1 Crosspiece
- 2 Screw
- 2 Stud
- 2 Nut
- 2 Plug
- 2 Ring
- 5 Screw
- 1 Screw
- 12 Screw
- 1 Pipe
- 1 Pipe
- 1 Nut
- 1 Rod
- 1 Olive
- 1 Pipe
- 1 Gasket
- 2 Screw
- 1 Plug

Engine

Mc Power4 Tier 3 (2008-2009) - RPB1 - 115

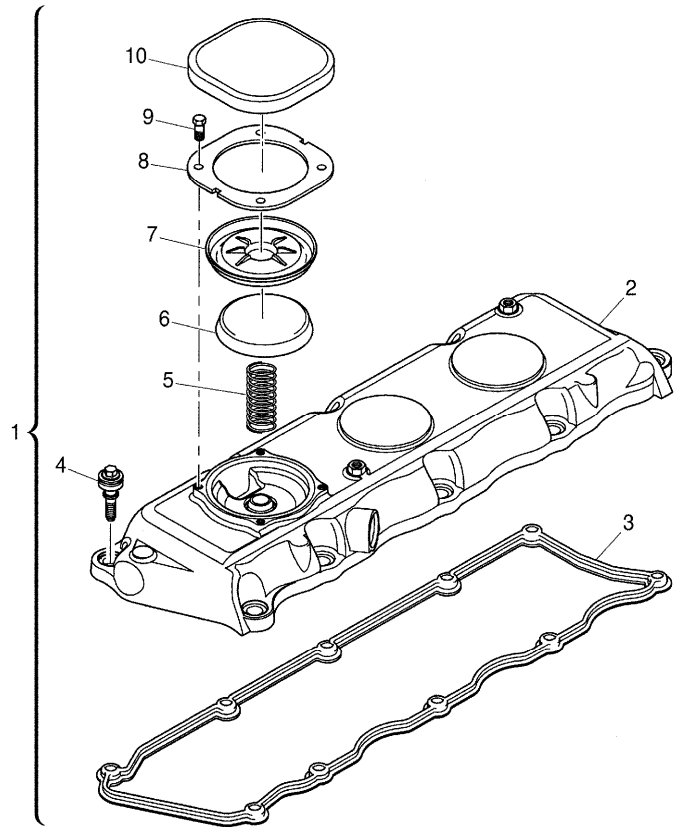
RPB1\000020533.png

A-05  
13



A0513

Cylinder head cover



				Inglese
1	4142X325	●	T417478(1)	1 Coperch.
2		!	1	1 Cover
3	3681A055	➡	Ref.n.1	
4		!	1	1 Gasket
5	3174A017	➡	Ref.n.1	
6	3788A002	!	1	10 Screw
7	3789A001	!	1	1 Spring
8	3615A009	!	1	1 Cap
9	2151A001	!	1	1 Diaphragm
10	3788A003	!	1	1 Plate
		!		4 Screw
		!		1 Cap

! This is a component of an assembly  
➡ Not serviced, order  
● Replacement

Engine

Mc Power4 Tier 3 (2008-2009) - RPB1 - 115

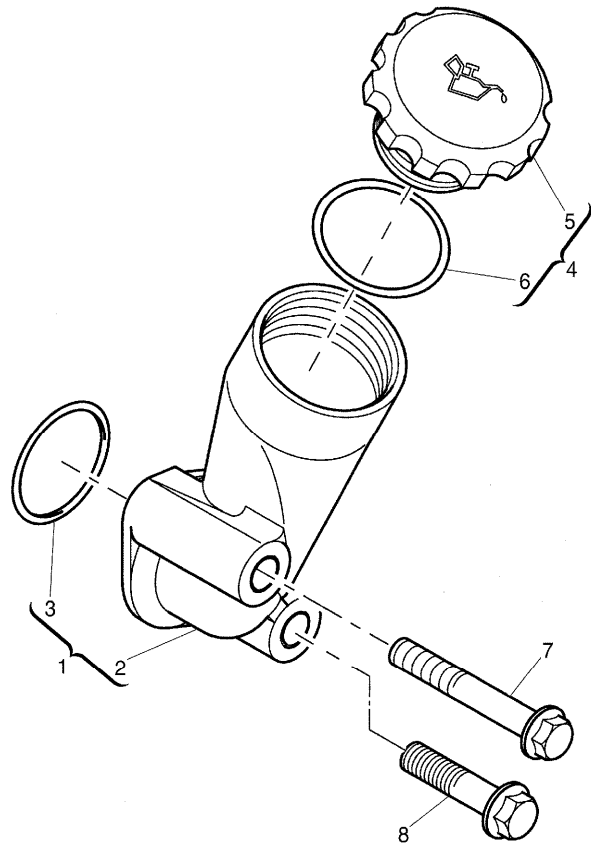
RPB1\000020589.png

A-05  
14



A0514

Filler



			Inglese
1	4134C019	● N.L.S.(1)	1 Filler
2		! 1	1 Body
		➡ Ref.n.1	
3	2415B121	! 1	1 O ring
4	4142X098	! 1	1 Plug
5		! 4	1 Plug
		➡ Ref.n.4	
6	2415633	! 4	1 O ring
7	2314K161		1 Screw
8	2314H008		1 Screw

- ! This is a component of an assembly
- ➡ Not serviced, order
- Replacement

Engine

Mc Power4 Tier 3 (2008-2009) - RPB1 - 115

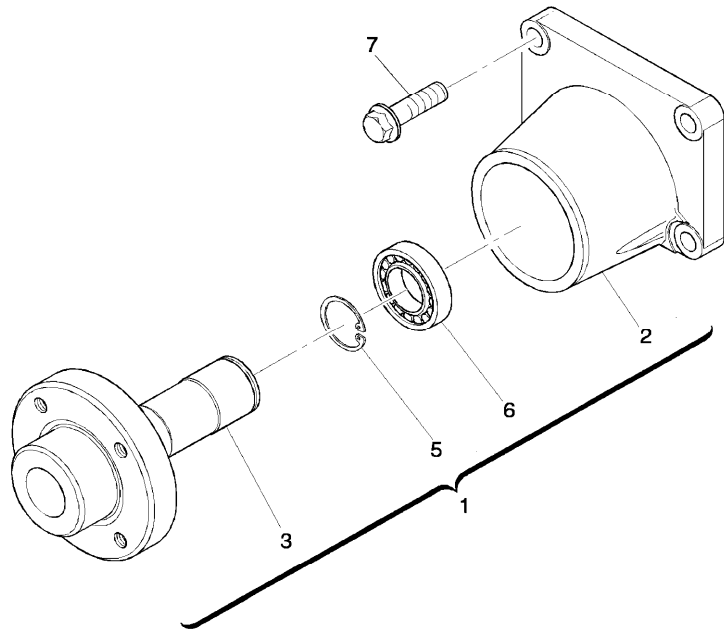
RPB1\000022257.png

A-05  
15



A0515

Fan's support



- 1 4113K007
  - 2 ! 1
  - 3 ! 1
  - 4 ! 1
  - 5 2722A022 ! 1
  - 6 ! 1
  - 7 2314J005 ! 1
- ! This is a component of an assembly  
➤ Not serviced, order

Inglese

- 1 Stirrup
- 1 Stirrup
- 1 Hub
- 1 Spacer
- 1 Ring
- 2 Bearing
- 4 Screw

Engine

Mc Power4 Tier 3 (2008-2009) - RPB1 - 115

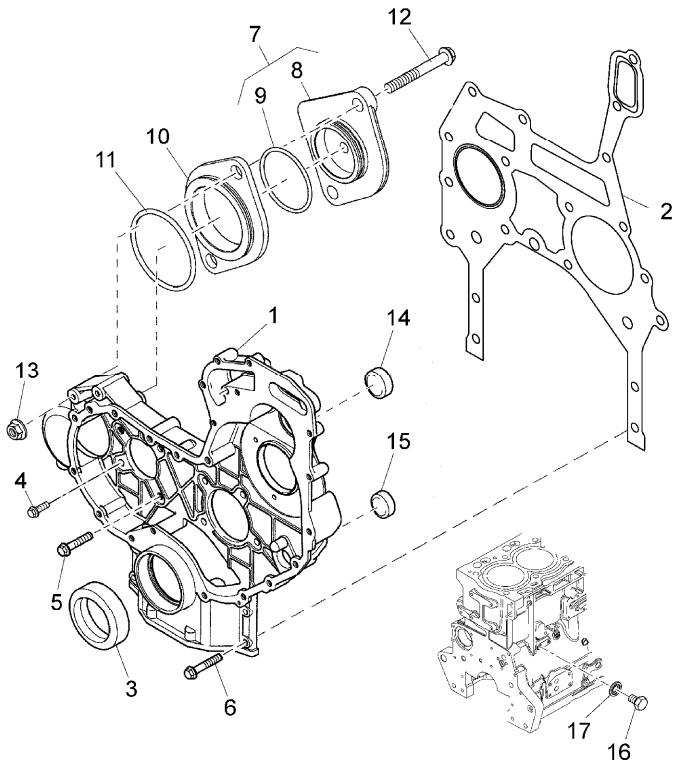
RPB1\000015081.png

A-05  
16



A0516

Gasket sets



- |    |          |   |           |
|----|----------|---|-----------|
| 1  | 3716C581 |   | Inglese   |
| 2  | 3681P053 |   | 1 Housing |
| 3  | 2418F437 |   | 1 Gasket  |
| 4  | 2314H003 |   | 1 Gasket  |
| 5  | 2314H006 |   | 6 Screw   |
| 6  | 2314H034 |   | 2 Screw   |
| 7  | 4148K012 |   | 4 Screw   |
| 8  |          | ! | 1 Plate   |
|    |          | ➡ | 1 Plate   |
|    |          |   | Ref.n.7   |
| 9  | 2415H515 | ! | 1 Ring    |
| 10 | 3617A021 |   | 1 Disc    |
| 11 | 2415H516 |   | 1 O ring  |
| 12 | 2314J014 |   | 2 Screw   |
| 13 | 2318A604 |   | 2 Nut     |
| 14 | 2485A124 |   | 1 Plug    |
| 15 | 2485A124 |   | 1 Plug    |
| 16 | 2314C049 |   | 1 Screw   |
| 17 | 2415D053 |   | 1 Washer  |

! This is a component of an assembly  
 ➡ Not serviced, order



**Suggest:**

**For more complete manuals. Please go to the home page.**

**<https://www.ebooklibonline.com>**

**If the above button click is invalid. Please download this document first, and then click the above link to download the complete manual.**

**Thank you so much for reading**

Engine

Mc Power4 Tier 3 (2008-2009) - RPB1 - 115

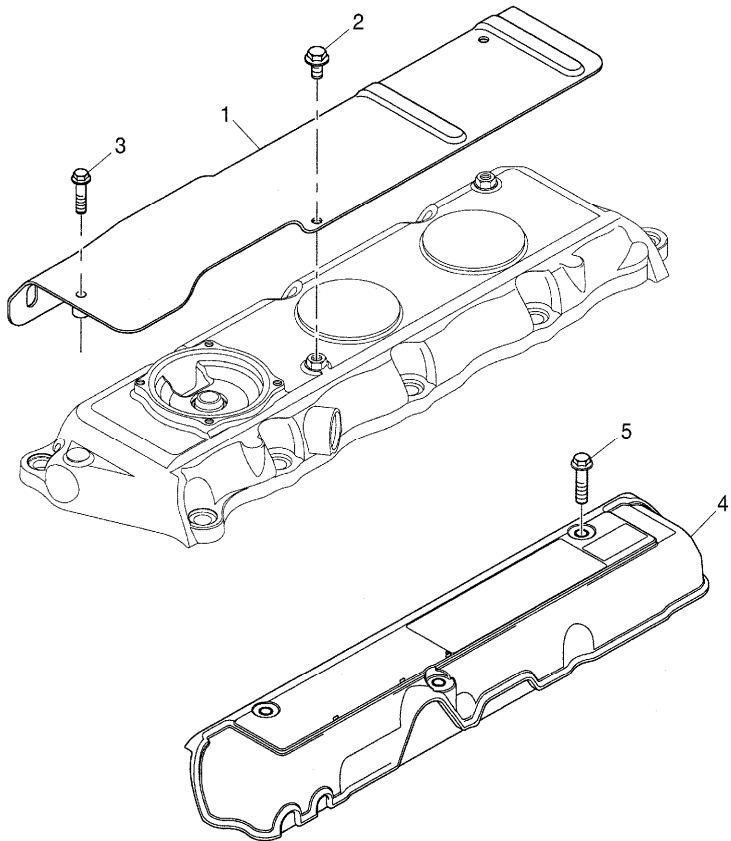
RPB1\000020537.png

A-05  
17



A0517

Cylinder head cover



- 1 3812A026
- 2 2314F001
- 3 2314F006
- 4 3788N003
- 5 2314F003

Inglese

- 1 Heatshield
- 2 Screw
- 1 Screw
- 1 Cover
- 3 Screw

Engine

Mc Power4 Tier 3 (2008-2009) - RPB1 - 115

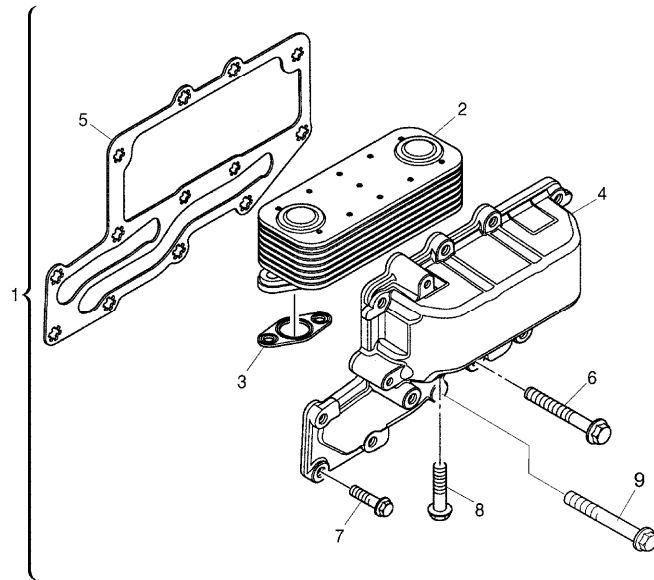
RPB1\000015031.png

A-05  
18



A0518

Oil bath air filter - lautrette



		Inglese			
1	4134W021	●	4134W025(1)	1	Radiator
2	2486A217	!	1	1	Exchanger
3	3685A025	!	1	2	Ring
4		!	1	1	Cooler
		➡	Ref.n.1		
5	3685A033	!	1	1	Gasket
6	2314K161	!	1	3	Screw
7	2314H004	!	1	8	Screw
8	2314H006	!	1	4	Screw
9	2311D060	!	1	2	Screw

- ! This is a component of an assembly
- ➡ Not serviced, order
- Replacement

**<https://www.ebooklibonline.com>**

Hello dear friend!

Thank you very much for reading.

Enter the link into your browser.

The full manual is available for immediate download.

**<https://www.ebooklibonline.com>**